

K SERIES - HAND OR ELECTRIC TOILETS

MODEL K-H ELECTRIC

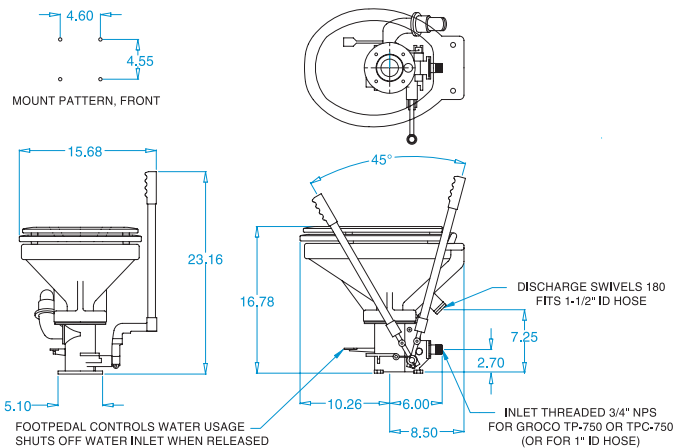


MODEL K-H



- House-size bowl.
- 3" piston pump mechanism.
- Adjustable flow up to 4 GPM.
- All bronze pump.
- Electric or hand operated models are available.
- Electric models operate by touch of a button and are quickly converted to hand operation by removing one easily accessible bolt.
- For installation above or below the waterline; footpedal water control allows the desired amount of flush water to be used and automatically shuts the water inlet off when the foot pedal is released. No valves to close or handwheels to turn.

NUMBER TO ORDER BY	OPERATION	WEIGHT (LBS.)	COLOR
K-H	Hand	44	White
K-H 12V, 24V	Hand/Elec.	53	White



HF SERIES - HAND OPERATED TOILETS

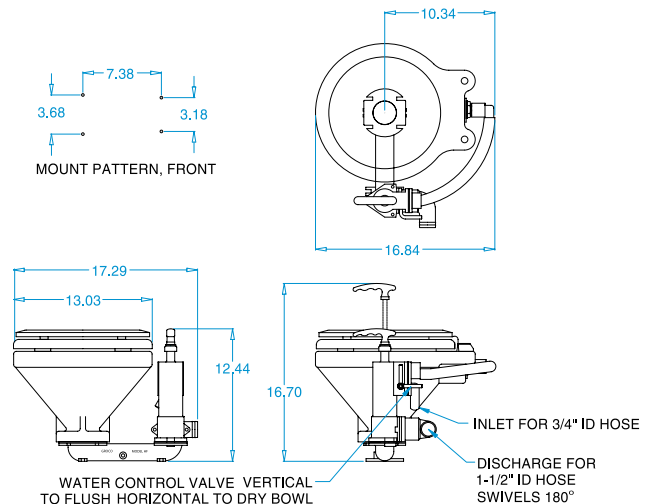
MODEL HF-B

Save money by ordering 100-0001-00, the "SOME ASSEMBLY REQUIRED" version of our popular top-quality compact toilet.

Order HF-B for an already assembled model.



- Sturdy bronze base for rough water use.
- T-Handle for ease of operation.
- High-efficiency valve system uses minimal flush water.
- Weighs 32 pounds.



Assembly takes about ten minutes and requires just a flat-blade screw driver and a 7/16" open-end wrench.

RETAIL PACKAGING FOR 100-0001-00