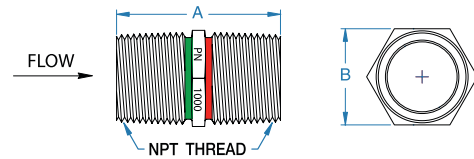


SPECIAL PURPOSE VALVES

PNC SERIES - CHECK VALVE



PNC Series are made from PN series cast bronze nipples. A check valve is placed inside to prevent back-flow in plumbing systems. The check valve imposes almost zero flow restriction, and requires less than 1/2 PSI to open. Colored bands indicate flow direction (green to red), confirmed by the permanent laminated tag. Sizes 1/2" to 2". Do not use in diesel fuel or gasoline applications.



Model	NPT Pipe Size	A	B	Weight	Pkg
PNC-500	1/2"	1.77	0.88	0.17	10
PNC-750	3/4"	1.77	1.06	0.21	10
PNC-1000	1"	2.34	1.38	0.33	10
PNC-1250	1-1/4"	2.51	1.75	0.62	10
PNC-1500	1-1/2"	2.49	2.00	0.72	6
PNC-2000	2"	2.37	2.50	0.84	2

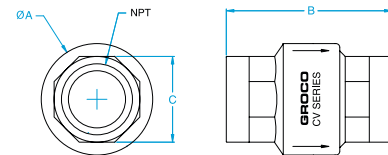
Opening pressure = .45 psi

CV SERIES - CHECK VALVE



CV Series in-line check valve may be used in water or fuel systems to keep pumps primed and to prevent back-flow in pressure systems. Unique design reduces flow turbulence and restriction, thus improving pump performance.

- Cast bronze construction.
- NPT threaded ports.
- 1/2" - 2" sizes.
- Suitable for use with diesel fuel or gasoline

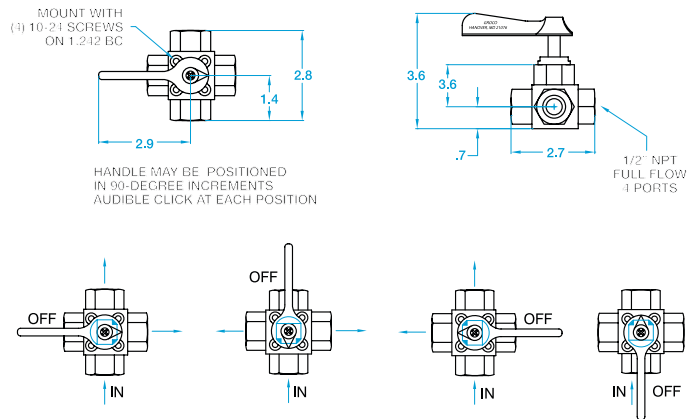


Model	NPT Pipe Size	A	B	C	Weight	Pkg
CV-50	1/2"	1.42	2.45	1.00	0.4	1
CV-75	3/4"	1.65	2.58	1.20	0.5	1
CV-100	1"	1.90	3.30	1.45	0.8	1
CV-125	1-1/4"	2.38	3.98	1.88	1.4	1
CV-150	1-1/2"	2.93	4.34	2.23	2.3	1
CV-200	2"	3.63	5.00	2.75	3.2	1

FV-450-X - TANK SELECTOR VALVE



- For fuel or water.
- Four Positions: Tank-1, Tank-2, Tanks 1 & 2, Off.
- Full 1/2" flow.
- Audible "click" at each handle position.
- For thru panel mounting.
- Available separately or as part of TS-350-T Kit (below).



TS-350-T - TANK SELECTOR KIT



TS-350-T Tank Selector Kit utilizes FV-450-X full flow valve (see above for details) mounted on an attractive stainless steel mount bracket and plumbed with (2) 1/2" straight hose barbs and (1) 7/16" 90-degree hose barb. Two labels are provided to match your installation (port/starboard or fore/aft). Handle can be relocated in 90-degree increments to align plumbing.

