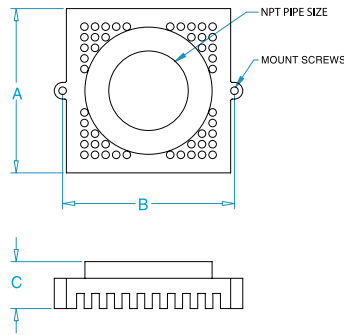


BS SERIES



Bilge Strainer



THE CONCEPT

BS Series strainers provide coarse filtration and prevent large debris in the bilge from entering bilge pumps. The NPT thread is for use with straight or 90-degree bronze pipe to hose adaptors. BS Series is ideal for use with GROCO® SBV-P Safety Seacocks or SSC Engine Flush Kit.

MODEL	NPT SIZE	A	B	C	USE WITH SBV-P	USE WITH SSC	PKG
BS-750	3/4"	1.88"	2.13"	2.00"	-	SSC-750	1
BS-1000	1"	1.88"	2.13"	2.00"	SBV-1250-P	SSC-1000	1
BS-1250	1-1/4"	3.40"	3.63"	2.00"	SBV-1500-P	SSC-1250	1
BS-1500	1-1/2"	3.40"	3.63"	2.00"	SBV-2000-P	SSC-1500	1
BS-2000	2"	5.25"	3.63"	2.00"	SBV-2500-P	SSC-2000	1
BS-2500	2-1/2"	5.25"	3.63"	2.00"	SBV-3000-P	SSC-2500	1
BS-3000	3"	5.25"	3.63"	2.00"	SBV-4000-P	SSC-3000	1

BSA SERIES - BILGE STRAINER ADAPTOR KIT

USE WITH SBV, SSC OR SSCV



Bilge Strainer and Adaptor for SBV or SSC

The adaptor fits into the side port of an SBV Safety Seacock or an SSC Engine Flush Kit to provides a quick connection to a remote bilge strainer located in the deepest bilge area. A 90-degree low profile pipe-to-hose adaptor is included.

MODEL	FITS SBV MODEL	FITS SSC MODEL	PKG
BSA-750	-	SSC-750	1
BSA-1000	-	SSC-1000	1
BSA-1250	SBV-1250	SSC-1250	1
BSA-1500	SBV-1500	SSC-1500	1
BSA-2000	SBV-2000	SSC-2000	1
BSA-2500	SBV-2500	SSC-2500	1
BSA-3000	SBV-3000	SSC-3000	1

BSA AND SSC FOR EMERGENCY INSTALLATION

