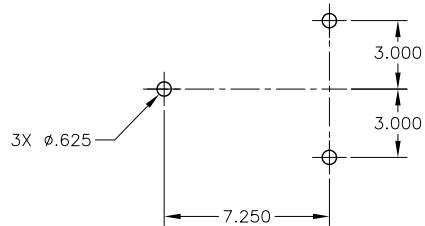
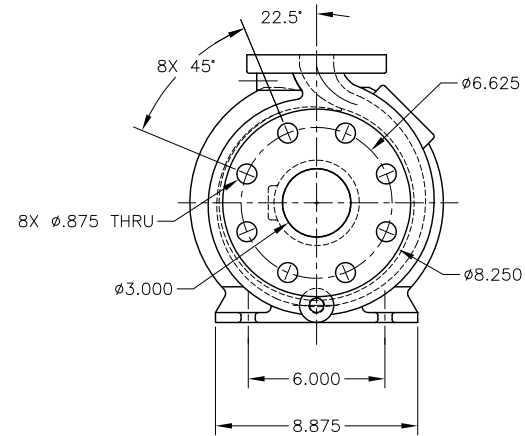
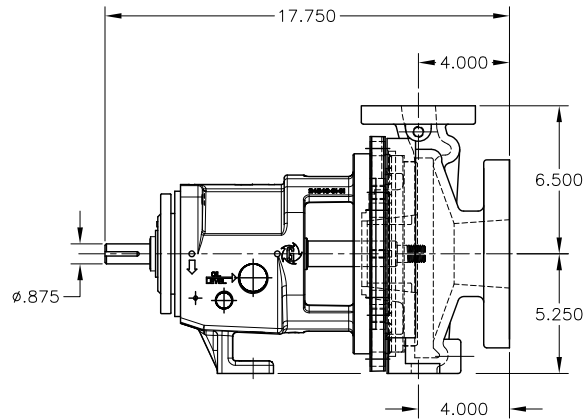
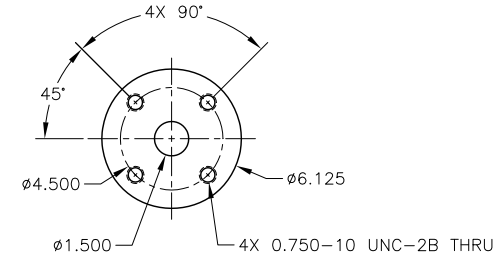


NOTES: UNLESS OTHERWISE SPECIFIED

1. DIMENSIONS AND TOLERANCES PER ANSI Y14.5M-1982.
2. * INDICATES DIMENSIONS AND/OR FEATURES MODIFIED ON CURRENT REVISION LEVEL.

REV.	DESCRIPTION	BY	APP.	DATE
A	3 X 1.5 - 8 AB ANSI ASSEMBLY	M.H.		



DO NOT SCALE DRAWING UNLESS OTHERWISE SPECIFIED DIMENSIONS ARE IN INCHES TOLERANCES ARE:				GRISWOLD PUMP COMPANY 22080 VAN BUREN ST. GRAND TERRACE, CA 92313 PHONE: (800) 843-9222, FAX: (800) 752-2929	
FRACTIONS	± -			TITLE ASSEMBLY, 3 X 1.5 - 8 AB ANSI 300# FLANGES	
DECIMALS .XX	± -	DRAWN BY M. HIATT		DATE 04/01/10	ASSY. NO.
.XXX	± -	CHECKED BY		DATE	DRAWING NO.
ANGLES	± -	APPROVED BY		DATE	31.58AB
SCALE 1/1	SHEET 1 OF 1				REV. A

THIS DOCUMENT AND ITS CONTENTS ARE PROPRIETARY TO WILDEN PUMP AND ENGINEERING CO. ANY REPRODUCTION, DISCLOSURE OR USE OF THIS DOCUMENT IS EXPRESSLY PROHIBITED EXCEPT AS OTHERWISE AGREED TO IN WRITING.