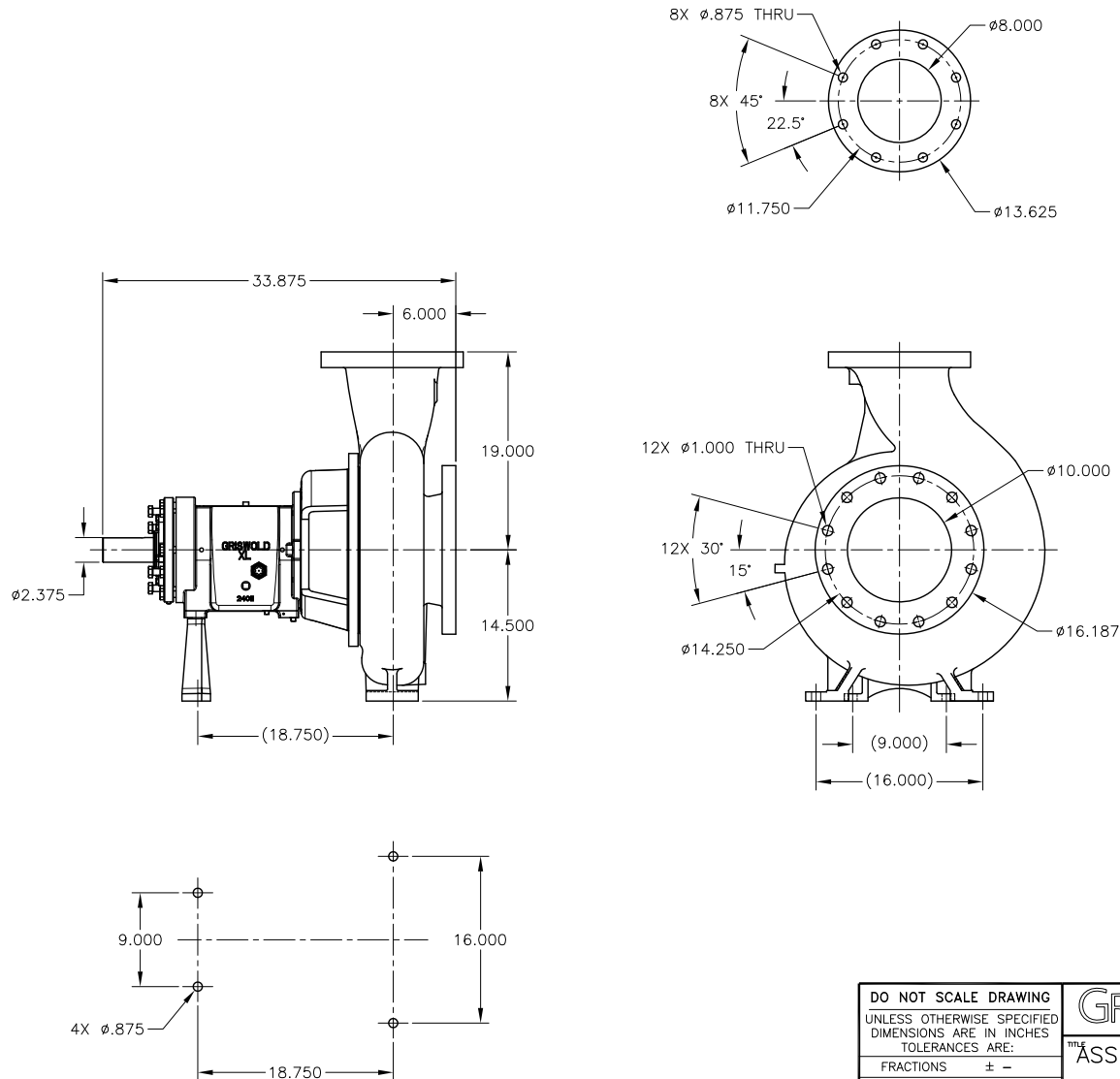


CAD generated and maintained drawing. All printed and electronic copies outside of Griswold's engineering database are "Uncontrolled" and shall be used for reference only.

NOTES: UNLESS OTHERWISE SPECIFIED

1. DIMENSIONS AND TOLERANCES PER ANSI Y14.5M-1982.
2. * INDICATES DIMENSIONS AND/OR FEATURES MODIFIED ON CURRENT REVISION LEVEL.
- * 3. THIS PUMP MAY HAVE TAPPED BOLT HOLES IN THE SUCTION FLANGE PER ANSI'S ALLOWANCE.

REV.	DESCRIPTION	BY	APP.	DATE
A	10 x 8 - 15 A120 ANSI ASSEMBLY	M.H.		



THIS DOCUMENT AND ITS CONTENTS ARE PROPRIETARY TO WILSON PUMP AND ENGINEERING CO. ANY REPRODUCTION, DISCLOSURE OR USE OF THIS DOCUMENT IS EXPRESSLY PROHIBITED EXCEPT AS OTHERWISE AGREED TO IN WRITING.

DO NOT SCALE DRAWING	
UNLESS OTHERWISE SPECIFIED DIMENSIONS ARE IN INCHES	
TOLERANCES ARE:	
FRACTIONS	± -
DECIMALS .XX	± -
.XXX	± -
ANGLES	± -
SCALE 1/1	SHEET 1 OF 1

		GRISWOLD PUMP COMPANY	
		22080 VAN BUREN ST. GRAND TERRACE, CA 92313 PHONE: (800) 943-9223, FAX: (800) 752-2928	
TITLE ASSEMBLY, 10 x 8 - 15 A120 ANSI			
DRAWN BY M. HIATT	DATE 08/16/11	ASSY. NO.	
CHECKED BY	DATE	DRAWING NO.	
APPROVED BY	DATE	10815A120 A	