

## Peristaltic Pumps

### Product Overview

Peristaltic pumps operate on a positive displacement principle. Because there are few moving parts and no valves or seals, peristaltic pumps are virtually maintenance free. No tools or disassembly is required to replace the tubing. Peristaltic pumps are ideal for slurries, abrasive, viscous and corrosive liquids because only the tubing is in contact with the solution. Applications include a variety of chemical dispensing systems.

#### Specifications:

**Max Flow Rate:** Range to 360 ml/m

**Max Discharge Pressure:** Range to 20 psi

**Self-Priming:** To 20 feet

**Tubing I.D.:** 1/4"

**Tubing Length:** 9"

**Max Fluid Temperature:** To 275°F (135°C)

**Motors:** 115V, 50/60 Hz; 230V, 50/60 Hz Thermally protected, shaded pole

\*For estimating flow rates, 1/4" tubing provides 2.9 ml per revolution and 3/16" tubing provides 1.25 ml per revolution.

**Materials in Contact with Solution:** Tubing — Norprene®

#### Features:

- Low cost
- Minimal maintenance
- No valves or seals
- Self-priming
- Chemically resistant
- Easy service
- Mounting flexibility

**OEM Options:**

**Tubing I.D**

- 3/16" I.D. tubing provides 1.25 ml per motor revolution. Standard 1/4" tubing provides 2.9 ml per revolution.

**Tubing**

- Silicone
- Viton®/Fluoroelastomer
- Butyl
- Hydrin®
- Natural Rubber

**Tubing Length**

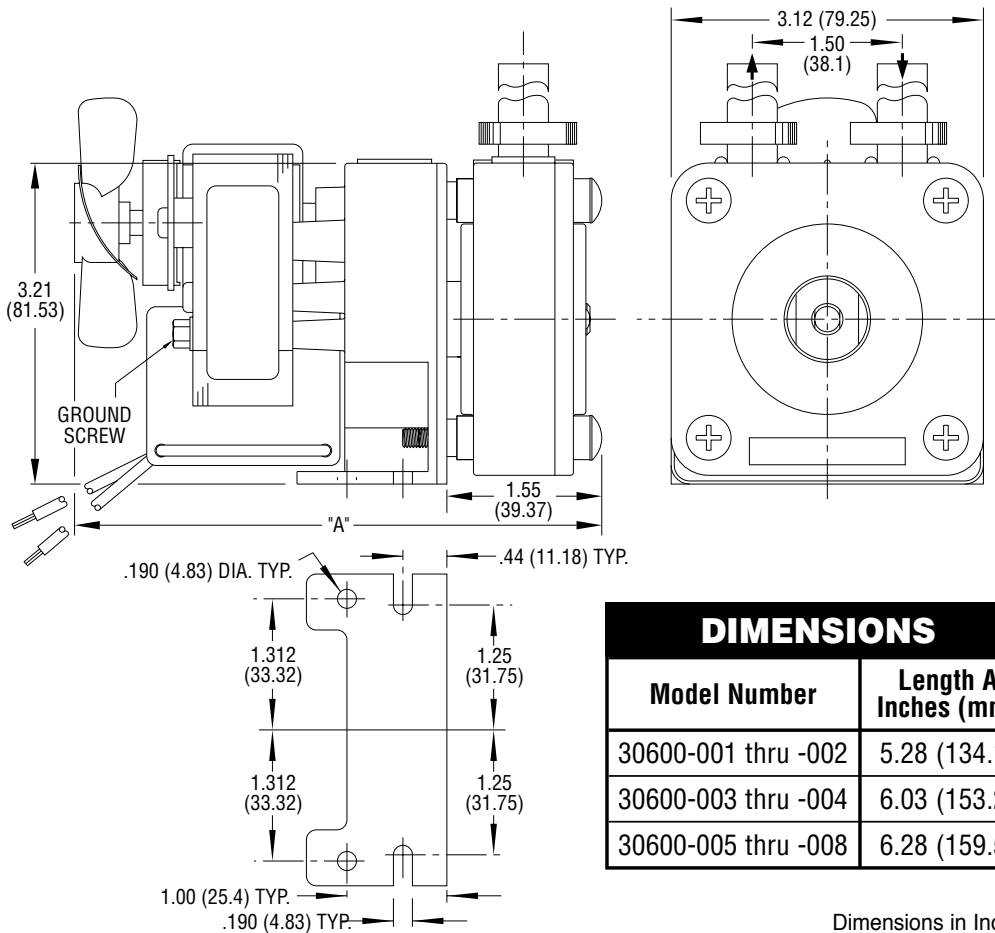
- Extruded tubing cut to the customer's requirements for Norprene®

**Motors**

- Standard DC with reversible DC motors

**Special Configurations**

- Two tandem models can be supplied with any combination of tubing sizes and materials



DIMENSIONS	
Model Number	Length A Inches (mm)
30600-001 thru -002	5.28 (134.1)
30600-003 thru -004	6.03 (153.2)
30600-005 thru -008	6.28 (159.5)

Dimensions in Inches  
(Dimensions in Millimeters)

[Contact Us](#)

[Online Inquiry](#)

