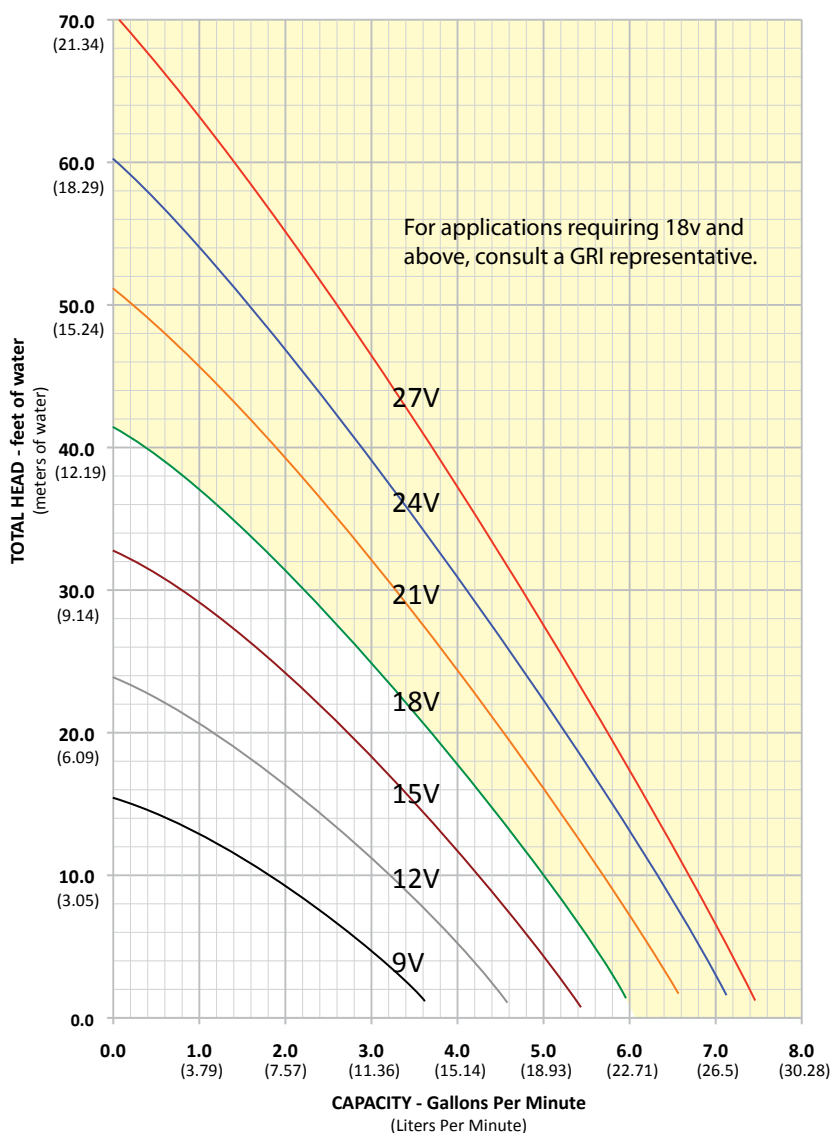


# INTG2 Series Spec Sheet



Specifications							
Max. Fluid Temp: 203°F (95°C)				Weight: 10 oz (283.5 grams)			
Max Sys. Pressure: 75 psi				Connector: 1/2" MHB, 3/8" MPT			
FLOW RATES: H2O / 9-27 VDC SUPPLY VOLTAGE							
	9v	12v	15v	18v	21v	24v	27v
Max Flow	3.5 GPM	4.5 GPM	5.4 GPM	5.9 GPM	6.5 GPM	7.0 GPM	7.5 GPM
Max Head	15 FT	23 FT	32 FT	40 FT	50 FT	60 FT	70 FT
Max Amp Draw	1.6 Amps	2.3 Amps	2.9 Amps	3.5 Amps	4.2 Amps	4.8 Amps	5.0 Amps

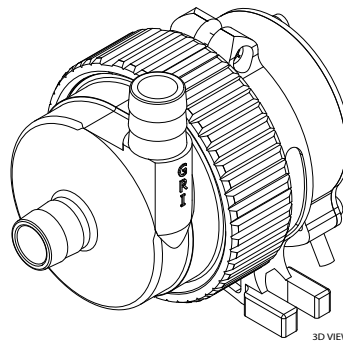
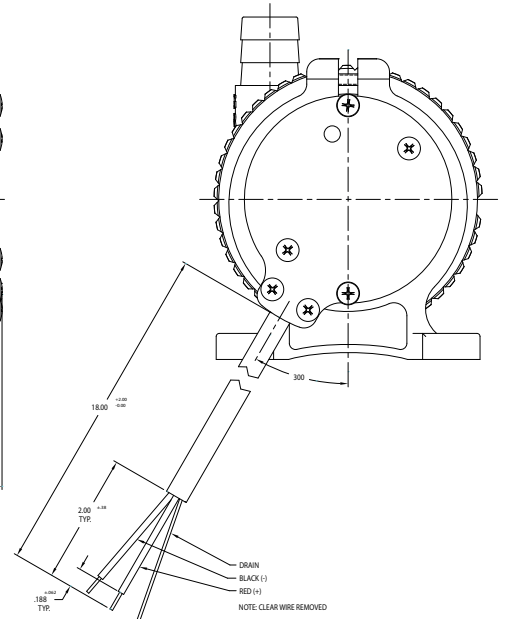
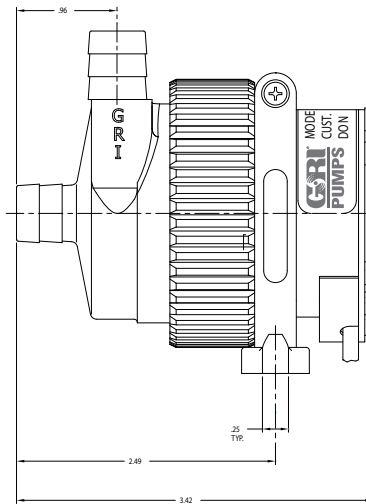
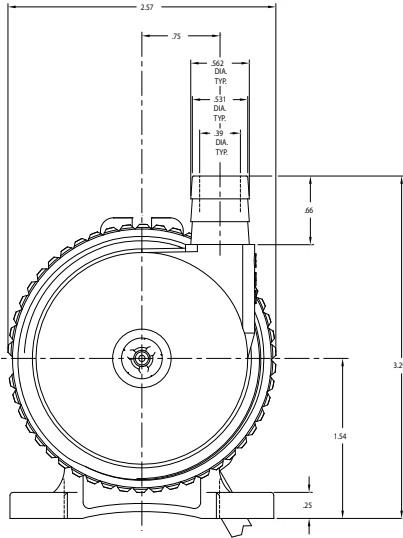
Motor specifications / OEM Options	
Supply Voltage: 9 - 27 VDC	Reverse Polarity Protection: Yes
Over Current Protection: No	Thermal Overload: No
Inrush Current: None. • Ramps up to running current.	High Current Limit: 5 amps
	Locked Rotor Current Limit: 5 amps
Motor Speed Control/Adjustment	
Manual Speed Adjustment • Potentiometer • 20-100% of full speed Speed control provides flexibility to change the pump's speed in order to meet system's specific pressure and flow requirements.	
Remote Speed Control (consult factory) • Third Wire • 0-5 volts (Reference DC NEG)	

Materials in contact with solution	
Body: PPS (Ryton <sup>®</sup> )	Housing: PPS (Ryton <sup>®</sup> )
Impeller: PPS (Ryton <sup>®</sup> )	Rotor Shell: PPS (Ryton <sup>®</sup> )
Pump Shaft: Ceramic	Static O-Ring: FKM (Viton), EPDM
Bearing Plate: PPS (Ryton <sup>®</sup> )	

Mounting Base
Variable 360° rotation

Please Note: Testing performed in a controlled laboratory environment. Actual performance may vary (+) or (-) 10% from the information shown on this spec sheet.





## General Specifications

Max Fluid Temp	203°F (95°C)
Max System Pressure	75 PSI
Weight	10 oz
Supply Voltage	9 - 27 volts

## Wetted Materials

Pump Body	PPS
Pump Adapter	PPS
Impeller	PPS
Impeller Shaft	Ceramic
Static O-Ring	FKM (Viton), EPDM

