

Specifications	
Max. Fluid Temp: 203°F (95°C)	Weight: 10 oz (283.5 grams)
Max Sys. Pressure: 75 psi	Connector: 1/2" MHB, 3/8" MPT
Max Flow: 2 GPM	Max Head: 11.5 feet
Dimensions: 2.57"W x 3.29"H x 3.42"L	

Motor specifications
Supply Voltage • Motor Speed Control
<ul style="list-style-type: none"> • 12v BLDC • 24v BLDC w/ 0-5v third wire speed control (optional)
Inrush Current: None.
<ul style="list-style-type: none"> • Ramps up to running current.
Submersible option available

Materials in contact with solution	
Body: PPS (Ryton®)	Housing: PPS (Ryton®)
Impeller: PPS (Ryton®)	Rotor Shell: PPS (Ryton®)
Impeller Shaft: Ceramic	Static O-Ring: EPDM, FKM
Bearing Plate: PPS (Ryton®)	

Features	
Lightweight design	Impeller assembly only moving part
No motor bearings	Low power consumption
Quiet operation	Long life
Submersible option	Multiple OEM options

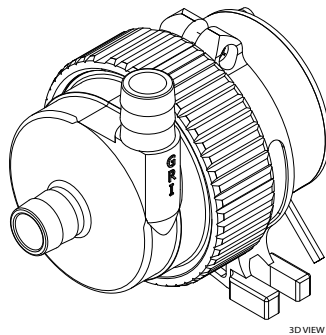
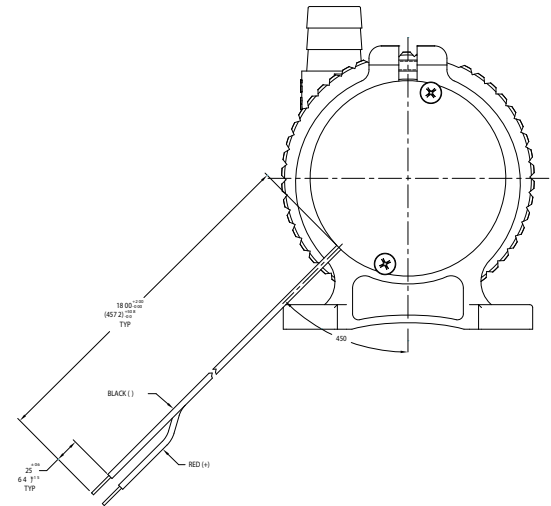
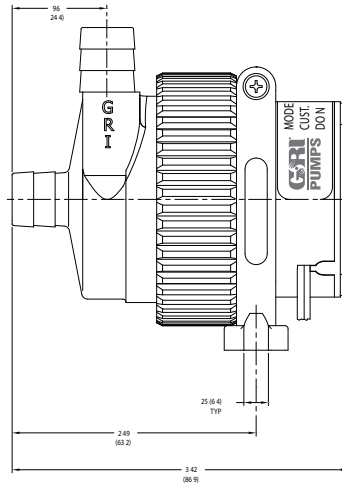
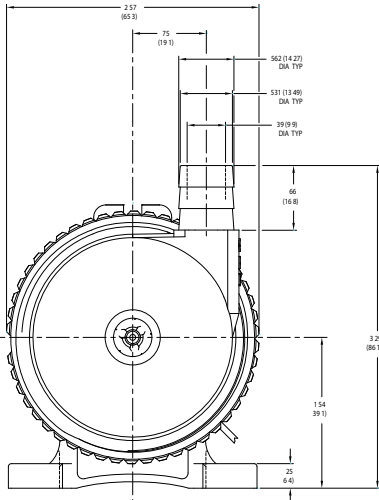


Flow (GPM)	Flow (LPM)	Total Head (Ft)	Total Head (PSI)	Total Head (M)	Watts	Volts	Amps
2.23	8.44	4.62	2.00	1.41	19.62	12.00	1.63
1.96	7.40	5.39	2.34	1.64	19.32	12.00	1.61
1.83	6.92	5.95	2.58	1.81	19.11	12.00	1.59
1.62	6.13	6.33	2.75	1.93	18.87	12.00	1.57
1.42	5.38	6.89	2.99	2.10	18.70	12.00	1.56
1.18	4.46	7.71	3.34	2.35	18.44	12.00	1.54
1.00	3.78	8.31	3.60	2.53	18.17	12.00	1.51
0.81	3.06	8.86	3.84	2.70	17.92	12.00	1.49
0.75	2.82	9.02	3.91	2.75	17.82	12.00	1.48
0.00	0.00	11.52	5.00	3.51	16.99	12.00	1.42

Note: Testing performed in a controlled laboratory environment. Actual performance may vary (+) or (-) 10% from the information shown on this spec sheet.



180 Hines Ave. • Bellville, OH 44813 • PH: 419-886-3001 • FAX: 419-886-2338 • www.GRIpumps.com



General Specifications

Max Fluid Temp	203°F (95°C)
Max System Pressure	75 PSI
Weight	10 oz (283.5 grams)

Wetted Materials

Pump Body	PPS (Ryton®)
Housing	PPS (Ryton®)
Impeller	PPS (Ryton®)
Rotor Shell	PPS (Ryton®)
Static O-Ring	EPDM, FKM
Pump Shaft	Ceramic
Bearing Plate	PPS (Ryton®)

