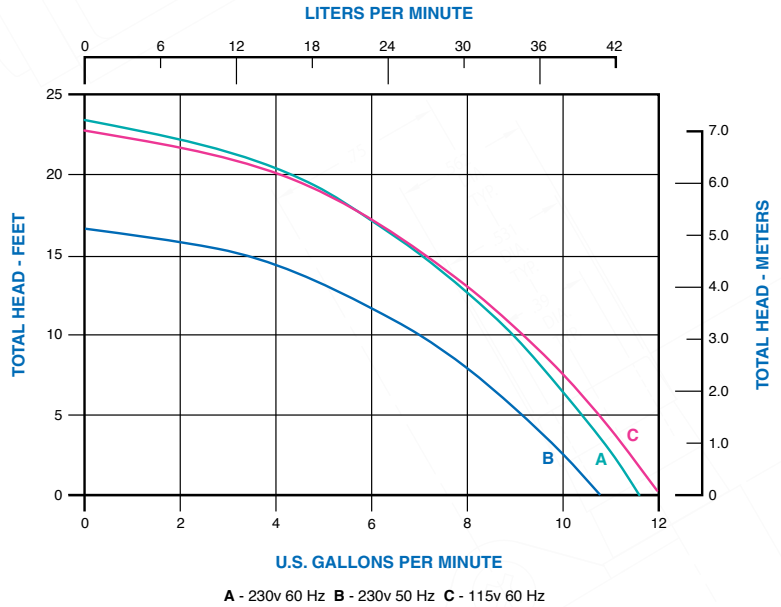


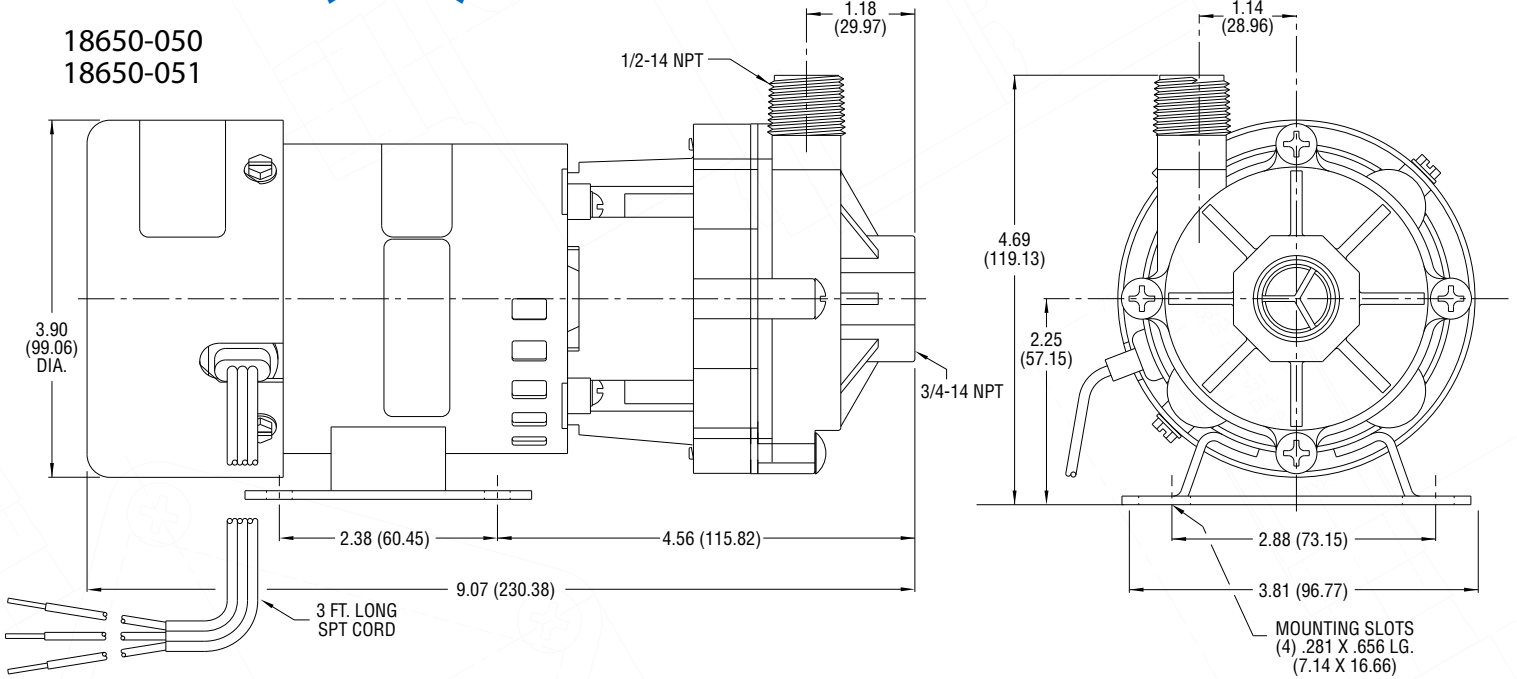
# 18650 Series Magnetic Drive Pump **Ask us about available OEM options**

Specifications	
Flow Rates	Max Range: 12 gpm
	Max Head: 23 ft
	Max Sys. Pressure: 25 psi
Fluid Temp. Max	180°F (82°C)
Materials in contact with solution / OEM options	
Body and Housing	PPR
Impeller	PPS
Pump Shaft	Ceramic
Thrust Bearings	Ceramic
O-Rings (Elastomers)	<ul style="list-style-type: none"> <li>• EPT/EPDM</li> <li>• Viton®/Fluoroelastomer</li> <li>• Nitrile</li> <li>• Neoprene</li> <li>• Silicone</li> <li>• Kel-F®</li> </ul>
Motor specifications / OEM options	
Motor Specs	<ul style="list-style-type: none"> <li>• 115V, 50/60 Hz</li> <li>• TEFC/PSC</li> <li>• Thermally protected</li> </ul>
Features	
Corrosion Resistant	Dry run capability
Hydraulically efficient	Quiet operation
No shaft seals	Flexible mounting and body discharge positions
Low current draw and heat rise	NSF certified models available



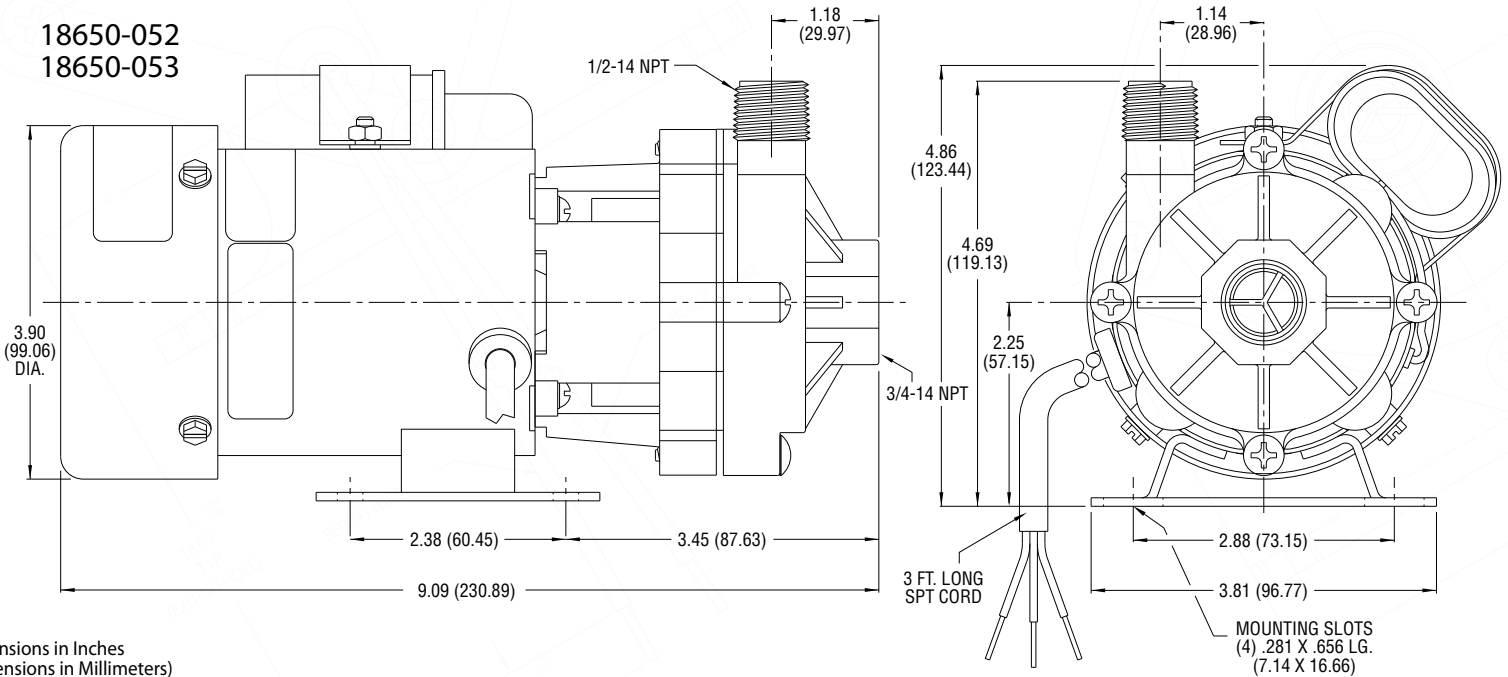
**18650 Series (115V) Models:**

18650-050  
 18650-051



**18650 Series (230V) Models:**

18650-052  
 18650-053



Dimensions in Inches  
 (Dimensions in Millimeters)