



Model e-SV

INSTALLATION, OPERATION AND MAINTENANCE INSTRUCTIONS

Table of Contents

SUBJECT	PAGE
e-SV Product Line Numbering System	3
Safety Instructions	7
Overview.....	7
Product Description	7
Applications	7
Pre-Installation Checks.....	7
Transportation and Storage.....	9
Installation	10
Start-Up.....	12
Operation.....	13
Maintenance.....	13
Mechanical Seal Replacement (Sizes 1SV-125SV)	14
Mechanical Seal Replacement (Sizes 33SV-125SV) Fitted with Cartridge Seals	14
Motor Replacement.....	15
Troubleshooting Guide	16
Engineering Data.....	16
Typical Plumbing and Installation	16
e-SV Major Components	17-19
Limited Warranty	21

Owner's Information

Pump Model Number: _____

Pump Serial Number: _____

Control Model Number: _____

Dealer: _____

Dealer Phone No.: _____

Date of Purchase: _____ Installation: _____

Current Readings at Startup:

1 Ø	3 Ø	L1-2	L2-3	L3-1
Amps: _____	Amps: _____	_____	_____	_____
Volts: _____	Volts: _____	_____	_____	_____

e-SV Product Line

Numbering System for 1 - 22SV Liquid End Only

The various versions of the e-SV line are identified by a product code number on the pump label. This number is also the catalog number for the pump. The meaning of each digit in the product code number is shown below. **Note:** Not all combinations are possible.

Example Product Code

22 SV 0 2 F E 3 0

Special Configurations (optional Characters)

- F = Destaged - 1 stage
- G = Destaged - 2 stage
- H = Horizontal mount only
- J = Horizontal mount + Passivation
- K = Horizontal mount + Low NPSH
- L = Horizontal mount + High Pressure
- N = Low NPSH only
- P = Passivation only
- S = Customized Configuration
- Z = High pressure only

Seal Material

- 0 = Carb-SilCar-Viton (Standard)
- 1 = Carb-SilCar-AFLAS (HighTemp)
- 2 = SilCar-SilCar-Viton
- 4 = SilCar-SilCar-EPR
- 6 = Carb-SilCar-EPR

Pole-Hz-Phase

- 1 = 2-50 3 = 2-60
- 2 = 4-50 4 = 4-60

Motor Frame (NEMA)

- A = 56C E = 280TC
- B = 180TC F = 320TSC
- C = 210TC G = 360TSC
- D = 250TC H = 140TC

Configuration

- C = Clamp-316 P = Victaulic-316
- F = Round-304 (SVB) T = Oval-304 (SVA)
- G = CI-304
- N = Round-316 (SVD)

Top / Bottom

- R = (SVC) 12Suct-12Disch
 - W = (SVC) 12Suct-03Disch
 - X = (SVC) 12Suct-06Disch
 - Y = (SVC) 12Suct-09Disch
- Suction discharge location

Total Number of Impeller Stages (may be 1 or 2 characters)

Product Line:

SV - Stainless Vertical

Nominal Flow:

- 1 = 5 GPM 10 = 53 GPM
- 3 = 16 GPM 15 = 80 GPM
- 5 = 26 GPM 22 = 116 GPM

e-SV Product Line

Numbering System for 33 - 125SV Liquid End Only

The various versions of the e-SV line are identified by a product code number on the pump label. This number is also the catalog number for the pump. The meaning of each digit in the product code number is shown below. **Note:** Not all combinations are possible.

Example Product Code

125 SV 8 1 2 B F E 2 0

Special Configurations (optional Characters)

- | | |
|--|---|
| F = Destaged - 1 stage | N = Low NPSH only (33, 46, and 66 only) |
| G = Destaged - 2 stage | P = Passivation only |
| H = Horizontal mount only | S = Customized Configuration |
| J = Horizontal mount + Passivation | Z = High pressure (250/300# pump body) |
| K = Horizontal mount + Low NPSH
(33, 46, and 66 only) | V12 = Hydrovar Package 1Ø, 230V input |
| L = Horizontal mount + High Pressure | V32 = Hydrovar Package 3Ø, 230V input |
| | V34 = Hydrovar Package 3Ø, 460V input |

Seal Material

- 0 = Carb-SilCar-Viton
- 2 = SilCar-SilCar-Viton
- 4 = SilCar-SilCar-EPR
- 6 = Carb-SilCar-EPR
- 7 = Carb-SilCar-Viton (Cart)
- 8 = SilCar-SilCar-EPR (Cart)

Pole-Hz-Phase

- | | |
|----------|----------|
| 1 = 2-50 | 3 = 2-60 |
| 2 = 4-50 | 4 = 4-60 |

Motor Frame (NEMA)

- | | |
|-----------|------------|
| A = 56C | E = 280TC |
| B = 180TC | F = 320TSC |
| C = 210TC | G = 360TSC |
| D = 250TC | H = 140TC |

Configuration

- G = Round-CI-304
- N = Round-316

125SV ONLY

- Reduced Trim Diameter** A = 141 mm B = 136 mm C = 145 mm (full dia.)
Blank if 33-92SV

Number of Reduced Trim Impellers (0, 1, 2)

Total Number of Impellers/Stages

Product Line: SV - Stainless Vertical

Nominal Flow:

- 33 = 175 GPM
- 46 = 240 GPM
- 66 = 350 GPM
- 92 = 485 GPM
- 125 = 660 GPM

e-SV Product Line

Numbering System for 1 - 22SV Pump & Motor Combination

The various versions of the e-SV line are identified by a product code number on the pump label. This number is also the catalog number for the pump. The meaning of each digit in the product code number is shown below. **Note:** Not all combinations are possible.

Example Product Code

22 SV 2 2 F A 2 F 5 1 A H

Special Configurations (1 or 2 Characters)

- | | |
|--------------------------------------|---------------------------------------|
| F = Destaged - 1 stage | P = Passivation only |
| G = Destaged - 2 stage | S = Customized Configuration |
| H = Horizontal mount only | Z = High Press (250/300# pump body) |
| J = Horizontal mount + Passivation | V12 = Hydrovar Package 1Ø, 230V input |
| K = Horizontal mount + Low NPSH | V32 = Hydrovar Package 3Ø, 230V input |
| L = Horizontal mount + High Pressure | V34 = Hydrovar Package 3Ø, 460V input |
| N = Low NPSH only | |

Seal Material

- | | |
|----------------------------------|-----------------------|
| 0 = Carb-SilCar-Viton | 4 = SilCar-SilCar-EPR |
| 1 = Carb-SilCar-AFLAS (HighTemp) | 6 = Carb-SilCar-EPR |
| 2 = SilCar-SilCar-Viton | |

Motor Enclosure

- | | | |
|-------------------|---------------|-------------------|
| 1 = ODP | 5 = Prem-ODP | 9 = Marine |
| 2 = TEFC | 6 = Prem-TEFC | A = Chem |
| 3 = X-Proof | 7 = Prem-XP | B = Prem-Chem |
| 4 = WD - Tropical | 8 = Prem-WD | C = Class 1 Div 2 |

Voltage

- | | | |
|-----------------|-----------------|---------------------|
| A = 115/230 | H = 190/380 | R = 220 |
| B = 230 | J = 115/208-230 | S = 415 |
| C = 230/460 | K = 208 | T = 220/380 WYE |
| D = 460 | L = 208-230 | U = 380-660 WYE |
| E = 575 | M = 190-380/415 | V = 208-230/460 WYE |
| F = 208-230/460 | N = 380 | |
| G = 200 | P = 110/220 | |

Pole-Hz-Phase

- | | | |
|------------|------------|------------|
| 1 = 2-50-1 | 4 = 2-60-3 | 7 = 4-60-1 |
| 2 = 2-50-3 | 5 = 4-50-1 | 8 = 4-60-3 |
| 3 = 2-60-1 | 6 = 4-50-3 | |

HP Rating

- | | | |
|----------|---------|--------|
| A = 0.50 | F = 3 | L = 20 |
| B = 0.75 | G = 5 | M = 25 |
| C = 1.00 | H = 7.5 | N = 30 |
| D = 1.50 | J = 10 | P = 40 |
| E = 2 | K = 15 | |

Configuration OPTION

- | | | |
|---------------------|--------------------------|----------------------------|
| C = Clamp-316 | | |
| F = Round-304 (SVB) | | |
| G = CI-304 | | |
| N = Round-316 (SVD) | | |
| P = Victaulic-316 | | |
| T = Oval-304 (SVA) | | |
| | R = (SVC) 12Suct-12Disch | Suction discharge location |
| | W = (SVC) 12Suct-03Disch | |
| | X = (SVC) 12Suct-06Disch | |
| | Y = (SVC) 12Suct-09Disch | |

Total Number of Impeller Stages (may be 1 or 2 characters)

Product Line:

SV - Stainless Vertical

Nominal Flow:

- | | |
|------------|--------------|
| 1 = 5 GPM | 10 = 53 GPM |
| 3 = 16 GPM | 15 = 80 GPM |
| 5 = 26 GPM | 22 = 116 GPM |

e-SV Product Line

Numbering System for 33 - 125SV Pump & Motor Combination

The various versions of the e-SV line are identified by a product code number on the pump label. This number is also the catalog number for the pump. The meaning of each digit in the product code number is shown below. **Note:** Not all combinations are possible.

Example Product Code

125 SV 8 2 A G K 3 F 2 0

Special Configurations (1 or 2 Characters)

H = Horizontal mount only	N = Low NPSH only (33, 46 and 66 only)
J = Horizontal mount + Passivation	P = Passivation only
K = Horizontal mount + Low NPSH	S = Customized Configuration
L = Horizontal mount + High Pressure	Z = High Press (250/300# pump body/Casing)

Seal Material

0 = Carb-SilCar-Viton	6 = Carb-SilCar-EPR
2 = SilCar-SilCar-Viton	7 = Carb-SilCar-Viton (Cart)
4 = SilCar-SilCar-EPR	8 = SilCar-SilCar-EPR (Cart)

Motor Enclosure

1 = ODP	5 = Prem-ODP	9 = Marine
2 = TEFC	6 = Prem-TEFC	A = Chem
3 = X-Proof	7 = Prem-XP	B = Prem-Chem
4 = WD - Tropical	8 = Prem-WD	C = Class 1 Div 2

Voltage

A = 115/230	H = 190/380	R = 220
B = 230	J = 115/208-230	S = 415
C = 230/460	K = 208	T = 220/380 WYE
D = 460	L = 208-230	U = 380-660 WYE
E = 575	M = 190-380/415	V = 208-230/460 WYE
F = 208-230/460	N = 380	
G = 200	P = 110/220	

Pole-Hz-Phase

1 = 2-50-1	4 = 2-60-3	7 = 4-60-1
2 = 2-50-3	5 = 4-50-1	8 = 4-60-3
3 = 2-60-1	6 = 4-50-3	

HP Rating

A = 0.50	G = 5	N = 30
B = 0.75	H = 7.5	P = 40
C = 1.00	J = 10	R = 50
D = 1.50	K = 15	S = 60
E = 2	L = 20	T = 75
F = 3	M = 25	U = 100

Configuration

G = Round-CI-304
N = Round-316

125SV ONLY

Reduced Trim Diameter A = 141 mm B = 136 mm C = 145 mm (full dia.)
Blank if 33-92SV

Number of Reduced Trin Impeller (0, 1, 2)

Total Number of Impeller Stages (may be 1 or 2 characters)

Product Line:

SV - Stainless Vertical

Nominal Flow:

33 = 175 GPM	92 = 485 GPM
46 = 240 GPM	125 = 660 GPM
66 = 350 GPM	

SAFETY INSTRUCTIONS

TO AVOID SERIOUS OR FATAL PERSONAL INJURY OR MAJOR PROPERTY DAMAGE, READ AND FOLLOW ALL SAFETY INSTRUCTIONS IN MANUAL AND ON PUMP.

THIS MANUAL IS INTENDED TO ASSIST IN THE INSTALLATION AND OPERATION OF THIS UNIT AND MUST BE KEPT WITH THE PUMP.



This is a **SAFETY ALERT SYMBOL**. When you see this symbol on the pump or in the manual, look for one of the following signal words and be alert to the potential for personal injury or property damage.



Warns of hazards that WILL cause serious personal injury, death or major property damage.



Warns of hazards that CAN cause serious personal injury, death or major property damage.



Warns of hazards that CAN cause personal injury or property damage.

NOTICE: INDICATES SPECIAL INSTRUCTIONS WHICH ARE VERY IMPORTANT AND MUST BE FOLLOWED.

THOROUGHLY REVIEW ALL INSTRUCTIONS AND WARNINGS PRIOR TO PERFORMING ANY WORK ON THIS PUMP.

MAINTAIN ALL SAFETY DECALS.



This product can expose you to chemicals including Lead, which is known to the State of California to cause cancer and birth defects or other reproductive harm. For more information go to: www.P65Warnings.ca.gov.



UNIT NOT DESIGNED FOR USE WITH HAZARDOUS LIQUIDS OR FLAMMABLE GASES. THESE FLUIDS MAY BE PRESENT IN CONTAINMENT AREAS.



Hazardous fluids can cause fire, burns or death.

OVERVIEW

The purpose of this manual is to provide the necessary information for proper installation, operation and maintenance of the e-SV pump. The instructions and warnings provided below concern the standard version, as described in the sale documents. Special versions may be supplied with supplementary instructions leaflets. Please refer to the sale contract for any modifications or special version characteristics. Always specify the exact pump type and identification code when requesting technical information or spare parts from our Sales and Service department. For instructions, situations or events not considered in this manual or in the sale documents, please contact your distributor.



Read this manual before installing and using the product. Improper use may cause personal injury and damage to property and lead to the forfeiture of the warranty coverage.

PRODUCT DESCRIPTION

The e-SV pump is a vertical multistage, non-self priming pump which can be coupled to standard electric motors. For the pump sizes 1SV-22SV, some of the metal parts that are in contact with the pumped liquid are made of stainless steel, others are made of cast iron. They are available in different versions according to the position of the suction and delivery ports and the shape of the connection flanges. For the sizes 33SV-125SV, some of the metal parts in contact with the pumped liquid are made of stainless steel, others are made of cast iron. A special version is available, in which all the metal parts in contact with the pumped liquid are made of stainless steel. If you purchase a pump without the electric motor, make sure that the motor you use is suitable for coupling to the pump. All e-SV pumps are equipped with a special mechanical seal designed for easy replacement without having to disassemble the entire pump.

APPLICATIONS

These pumps are suitable for civil and industrial water distribution systems, pressure booster, irrigation (agriculture, sporting facilities), water treatment, boiler feed, parts washing, cooling - air conditioning - refrigeration and fire fighting applications. The factory may be able to configure certain models for pumping liquids having atypical water and/or wastewater characteristics (e.g., acidic, basic, petrochemical or other non-aqueous liquids, etc.). Any such specialty use requires consultation with factory and engineering personnel for a detailed application-specific evaluation.

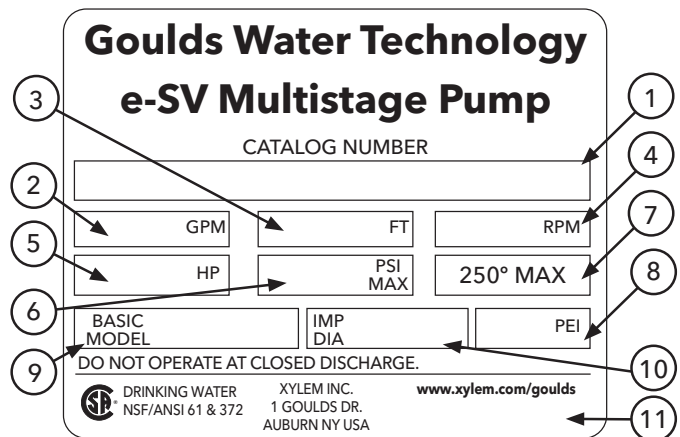
1. NAMEPLATE



Do not use this pump/electric pump unit to handle flammable and/or explosive liquids.



Do not use this pump to handle liquids containing abrasive, solid or fibrous substances.



1	Goulds Water Technology Catalog Number
2	Capacity Range
3	TDH Range
4	Rated Speed
5	Rated Horsepower
6	Maximum Operating Pressure
7	Maximum Operating Temperature
8	Pump Efficiency Index
9	Basic Model Number
10	Impeller Diameter
11	Pump Serial Number

PRE-INSTALLATION CHECKS

Confirm that the pump is capable of meeting the desired operating conditions.

1. MINIMUM INLET (SUCTION) PRESSURE

In general, the minimum suction pressure required is that which provides adequate NPSH_A necessary to feed the pump. The required NPSH_r, expressed in feet, can be found on the performance curve for the pump at the specific duty point. It is recommended that the NPSH_A exceeds the NPSH_r by a minimum of (2) two feet as a safety margin and to insure long term reliable performance of your e-SV pump.

$$P_{s \text{ MIN}} = \text{NPSH}_r + 2 \text{ ft.}$$

NOTE: THE NPSH_A MUST BE CALCULATED FOR THE SPECIFIC SYSTEM TO WHICH THE e-SV PUMP IS TO BE INSTALLED. PLEASE CONTACT YOUR DEALER/DISTRIBUTOR IF YOU REQUIRE ASSISTANCE.

2. SUCTION

In theory, a pump could suck water from a source located 10.33 meters lower than the pump's own installation level, but this does not happen because the pump offers its own intrinsic flow resistance, moreover the suction capacity is reduced as a result of flow resistance in the piping, height difference, liquid temperature and elevation above sea level.

A wrong choice in the altimetric placement of the pump could lead to cavitation.

With reference to Figure below and given Z as the maximum height the pump can be installed to, with reference to the level of the liquid source it can be stated the following:

In SI Units:

$$Z = P_b \cdot 10,2 - \text{NPSH} - H_f - H_v - 0,5 \text{ [m]}$$

P_b = Barometric pressure [bar] (absolute)

NPSH_r = NPSH required by pump [m]

H_f = Losses [m] in suction piping

H_v = Vapor pressure [m] at application temp [C]

1,5 = 1,5 [m] safety factor

In English Units:

$$Z = P_b - \text{NPSH}_r - H_f - H_v - 1.5$$

P_b = Barometric pressure [ft] (absolute)

NPSH_r = NPSH required by pump [ft]

H_f = Losses [ft] in suction piping

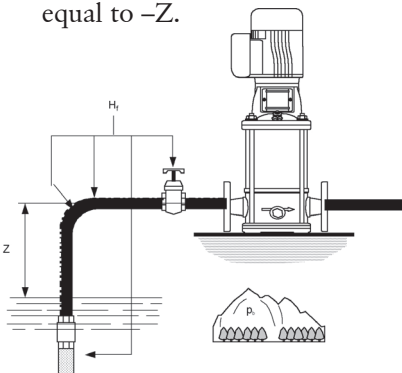
H_v = Vapor pressure [ft] at application temp [F]

1.5 = 1.5 [ft] safety factor

With meanings given in the above table it can be stated that:

If $Z \geq 0$ pump can work with a maximum suction height equal to Z.

If $Z < 0$ pump must be provided of an inlet pressure equal to $-Z$.



Temp		Hv	
C	F	m	ft
20	68	0.23	0.75
30	86	0.43	1.41
40	104	0.75	2.46
50	122	1.26	4.13
60	140	2.03	6.66
70	158	3.18	10.43
80	176	4.83	15.84
90	194	7.15	23.45
100	212	10.34	33.92
110	230	14.61	47.92
120	248	20.27	66.49

WARNING Do not use the pump if cavitation occurs, as its internal components could be damaged.

WARNING If hot water is pumped, guarantee an appropriate condition on the suction side to prevent cavitation.

WARNING Make sure that the sum of the pressure on the suction side (water system, gravity tank) and the maximum pressure delivered by the pump does not exceed the maximum working pressure allowed (nominal pressure PN) for the pump.

3. MAXIMUM INLET PRESSURE, 60 HZ

$$P_{1\text{max}} \leq \text{PN} - p_{\text{max}}$$

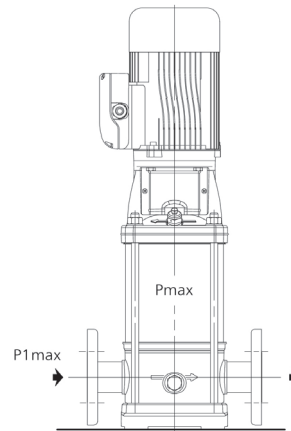
Having the following meaning of the symbols:

p_{max} = Maximum pressure delivered by the pump

$P_{1\text{max}}$ = Maximum inlet pressure

PN = Maximum operating pressure

If a motor with an axially locked shaft (standard) is used, be sure that the above formula is fulfilled, if not please contact the Sales and Service Department.



The following table shows the maximum permissible inlet pressure. However, the actual inlet pressure + pressure against a closed valve must always be lower than the maximum permissible operating pressure.

Pump	Stages	P _{1max} (psig)	Pump	Stages	P _{1max} (psig)
1SV	2-5	145	33SV	1/1-2/2	45
	6-10	218		2/1-5/2	145
	11-30	PN-Pmax		5/1-7/2	218
		7/1-10		PN-Pmax	
3SV	2-3	145	46SV	1/1-1	145
	4-7	218		2/2-2	218
	8-30	PN-Pmax		3/2-4/1	290
		4-10/2		PN-Pmax	
5SV	2-3	145	66SV	1/1-3/2	72
	4-6	290		3/1-4/1	145
	7-27	PN-Pmax		4-5/1	218
		5-6		PN-Pmax	
10SV	1-2	145	92SV	1/1-2/2	72
	3-5	290		2/1-3/2	145
	6-20	PN-Pmax		3/1-3	218
		4/2-5/1		PN-Pmax	
15SV	1-2	145	125SV	1-3/3B	290
	3	290		3-5/5A	PN-Pmax
	4-15	PN-Pmax			
22SV	1-2	145			
	3	290			
	4-12	PN-Pmax			

4. MAXIMUM OPERATING PRESSURE
(staging at 3500 RPM)

Pump	Stages	PSI / Bar
1SV	1-29	362 / 25
	30	580 / 40
3SV	1-23	362 / 25
	24-30	580 / 40
5SV	1-23	362 / 25
	24-27	580 / 40
10SV	1-14	362 / 25
	15-20	580 / 40
15SV	1-11	362 / 25
	12-15	580 / 40
22SV	1-11	362 / 25
	12	580 / 40
33SV	1-6	362 / 25
	7-10	580 / 40
46SV	1-5	362 / 25
	6-10	580 / 40
66SV	1-5	362 / 25
	6	580 / 40
92SV	1-5	362 / 25
125SV	1-6	362 / 25

NOTE: Oval flange (1-22SV) maximum working pressure is 232 psi (16 bar).

5. TEMPERATURE CAPABILITY

The e-SV pump is capable of pumping liquids within the below temperature range:

Standard Seal

1SV-22SV -22°F to 250°F (-30°C to 120°C)
33SV-125SV -22°F to 250°F (-30°C to 120°C)

High Temperature Seal

1SV-22SV -22°F to 300°F (-30°C to 149°C)
33SV-125SV N/A

NOTE: In order to provide adequate cooling for the electric motor, the ambient temperature must be 32° F to 104° F and the relative humidity at 104° F must not exceed 50%.

For temperatures above 104° F and for installations sites located at elevation in excess at 3000 feet above sea level it may be necessary to derate the motor performance. Please contact your distributor/dealer for assistance.

6. MINIMUM NOMINAL FLOW RATE

To prevent overheating of the internal pump components, make sure that a minimum water flow is always guaranteed when the pump is running.

For continuous operation the minimum flow rate recommended is specified below.

Pump Size	Minimum Flow GPM			
	3500 RPM	1750 RPM	2900 RPM	1450 RPM
1SV	2	1	2	1
3SV	3	2	3	2
5SV	7	4	6	3
10SV	9	5	8	4
15SV	18	9	15	7
22SV	21	11	18	9
33SV	35	18	8	4
46SV	40	20	10	5
66SV	70	35	14	7
92SV	100	50	20	10
125SV	128	64	106	53

NOTE: If this cannot be achieved, then a bypass/recirculate line is recommended.

⚠ WARNING

Do not run the pump against a closed discharge for longer than a few seconds.

7. NUMBER OF STARTS PER HOUR

For electric pumps coupled to motors supplied by Goulds Water Technology, the maximum number of work cycles (starts and stops) in one hour are as follows:

HP	Max. Starts Per Hour*	Min. Run Time Between Starts (sec)
0.5	24	120
0.75	24	120
1	15	75
1.5	13	76
2	12	77
3	9	30
5	8	83
7.5	7	88
10	6	92
15	5	100
20	5	110
25	5	115
30	4	120
40	4	130
50	3	145
60	3	170
75	3	180

* For more details, refer to technical manual.

⚠ WARNING

If you use a different motor from the standard one supplied by Goulds Water Technology, please consult with the motor manufacturer to find out the maximum number of work cycles allowed.

8. POWER SUPPLY REQUIREMENTS

⚠ WARNING

Make sure that the supply voltages and frequencies are suited to the characteristics of the electric motor. Check the motor rating plate.

In general, the supply voltage tolerances for motor operation are as follows:

Hz	Phase	U _N	
		V	±%
60	1	230	10
60	3	230 / 460	10
60	3	460	10

TRANSPORTATION AND STORAGE

1. TRANSPORTATION AND HANDLING OF PACKED PRODUCT

⚠ WARNING

The e-SV pump is packed in cartons or wooden crates having different dimensions and shapes.

Some cartons (the supporting base is made of wood) are designed to be transported and handled in the vertical position. Other cartons, as well as the wooden crates, are designed to be transported and handled in the horizontal position. Protect the product against humidity, heat sources and mechanical damage (collisions, falls, ...). Do not place heavy weights on the cartons.



Lift and handle the product carefully, using suitable lifting equipment. Observe all the accident prevention regulations.

When you receive the pump, check the outside of the package for evident signs of damage. If the product bears visible signs of damage, notify our distributor within 8 days from the delivery date.

2. STORING THE PACKED PRODUCT

Ambient temperature 32° F to 104° F.

Short Term: (Less than 6 months) Goulds Water Technology normal packaging procedure is designed to protect the pump during shipping. Upon receipt, store in a covered and dry location.

Long Term: (More than 6 months) Rotate shaft several times every 3 months. Refer to driver and coupling manufacturers for long term storage procedures. Store in a covered dry location.

3. UNPACKING THE PRODUCT



Use suitable equipment. Observe all the accident prevention regulations in force. Lift and handle the product carefully, using suitable lifting equipment.

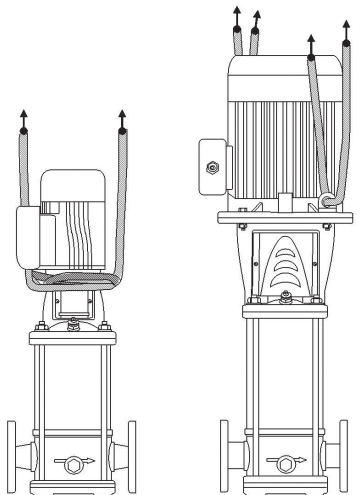
When you receive the pump, check the outside of the package for evident signs of damage. If the product bears visible signs of damage, notify our distributor within 8 days from the delivery date.

4. HANDLING THE PRODUCT



Lift and handle the product carefully, using suitable lifting equipment. Observe the accident prevention regulations in force.

The product must be securely harnessed for lifting and handling. Some electric pumps have eyebolts that can be used for this purpose.



INSTALLATION



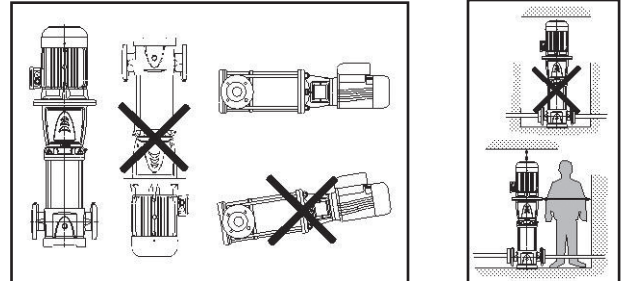
The installation operations must be carried out by qualified and experienced personnel. Use suitable equipment and protections.

Observe the accident prevention regulations in force.

Always refer to the local and/or national regulations, legislation and codes in force relating to the selection of the installation site and the water and power connections.

1. SITE SELECTION

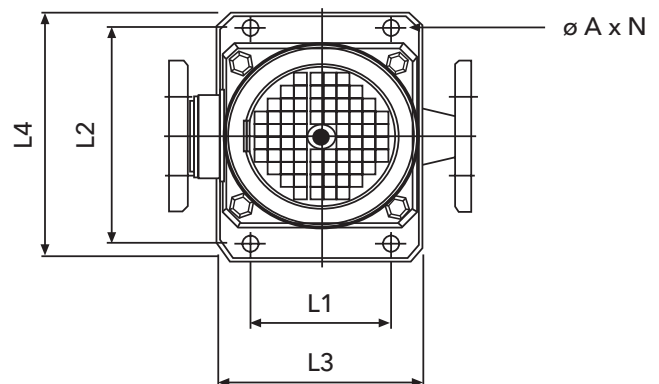
Make sure that no obstructions or obstacles hinder the normal flow of the cooling air delivered by the motor fan. Make sure there is adequate clearance around the pump for the maintenance operations. Whenever possible, raise the pump slightly from the level of the floor. See the figures below and at the top of the next column for possible installation configurations. Horizontal operation requires special mounting with a horizontally configured pump.



2. ANCHORING

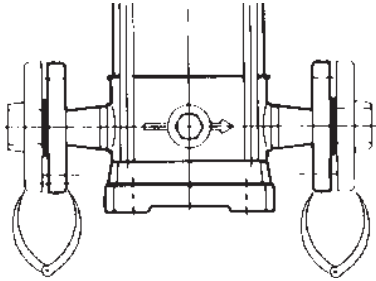
The pump must be anchored securely with bolts to a concrete foundation or equivalent metal structure (shelf or platform). If the pump is large-sized and needs to be installed near rooms inhabited by people, suitable vibration-damping supports should be provided to prevent the transmission of the vibrations from the pump to the reinforced concrete structure. The dimensions of the pump base and anchoring holes are shown.

	15V-55V	105V-225V	335V	465V-925V	1255V
	in (mm)				
L1	3.94 (100)	5.12 (130)	6.69 (170)	7.48 (190)	10.83 (275)
L2	7.09 (180)	8.46 (215)	9.45 (240)	10.43 (265)	14.96 (380)
L3	5.91 (150)	7.28 (185)	8.66 (220)	9.45 (240)	12.99 (330)
L4	8.27 (210)	9.65 (245)	11.42 (290)	12.4 (315)	17.72 (450)
Ø A	0.51 (13)		0.59 (15)		0.75 (19)
N	0.16(4)				

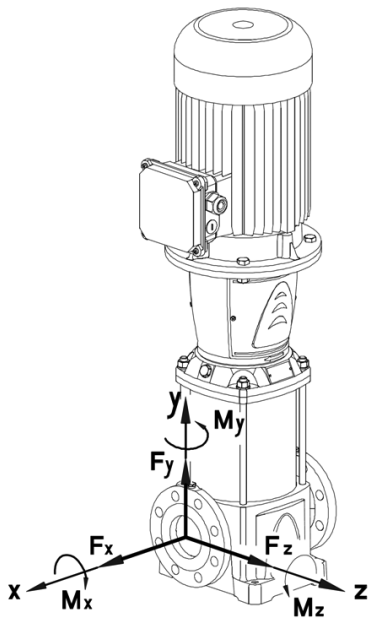


3. FLANGE ALIGNMENT AND LOADING

Angular alignment of the suction and discharge flanges can best be accomplished using calipers at the bolt locations. See figure below.



NOTICE: DO NOT DRAW PIPING INTO PLACE BY FORCING THE PUMP SUCTION OR DISCHARGE CONNECTIONS.



4. PIPING

Discharge and suction piping should be no smaller than the respective pump opening and should be kept as short as possible, avoiding unnecessary fittings to minimize friction losses.

NOTICE: PIPING MUST BE INDEPENDENTLY SUPPORTED AND NOT PLACE ANY PIPING LOADS ON THE PUMP.

If suction piping larger than pump suction is required, an eccentric pipe reducer, **WITH THE STRAIGHT SIDE UP**, must be installed at the pump suction.

If the pump is installed below the liquid source, install a full flow isolation valve in the suction piping for pump inspection or maintenance.

NOTICE: DO NOT USE THE ISOLATION VALVE ON THE SUCTION SIDE OF THE PUMP TO THROTTLE PUMP. THIS MAY CAUSE LOSS OF PRIME, EXCESSIVE TEMPERATURES, DAMAGE TO PUMP AND VOID WARRANTY.

If pump is installed above the liquid source, the following **MUST** be provided:

To avoid air pockets, no part of the suction piping should be above the pump suction.

On any horizontal piping sections, slope piping upward from liquid source.

All suction pipe joints **MUST** be airtight.

Use a foot valve for priming, or for holding prime during intermittent duty.

The suction strainer or suction bell **MUST** be at least 3 times the suction pipe diameter.

Insure that the size and minimum liquid submergence, over the suction inlet, is sufficient to prevent air from entering through a suction vortex. See typical suction piping Figures 1 through 4.

Install a discharge check valve, suitable to handle the flow and liquids, to prevent backflow.

Install an appropriately sized gate valve, **AFTER** the discharge valve, to regulate the pump capacity, for pump inspection and for maintenance.

When a pipe increaser is required, install between the check valve and the pump discharge.

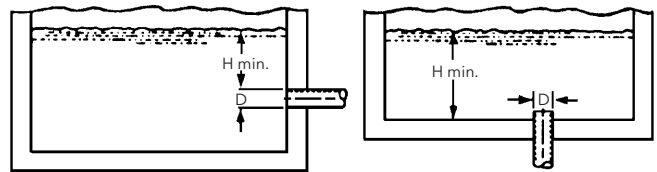


Figure 1

Figure 2

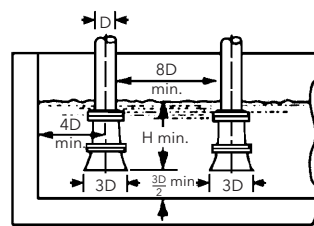


Figure 3

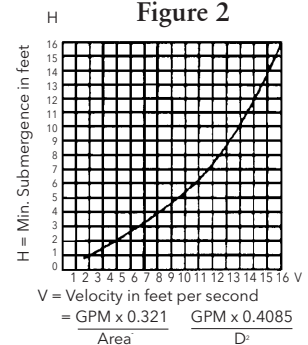


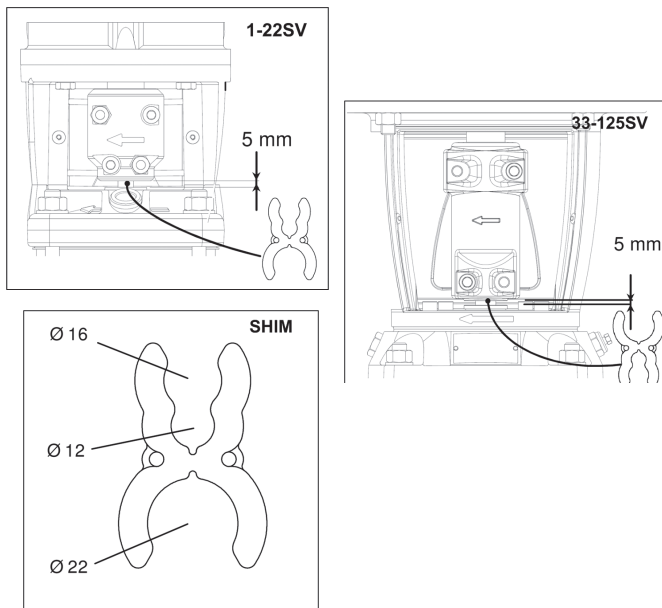
Figure 4

5. SHAFT ALIGNMENT – MOTOR TO PUMP

When the pump is purchased less motor, the pump will be supplied with a motor assembly shim positioned between the motor adapter and the coupling.

To assemble the motor to the pump remove the plastic shipping straps, the 2 stainless steel coupling guard halves, and the expanded polyurethane.

Insure that the motor assembly shim is properly positioned between the coupling and the motor adapter. If the motor assembly shim is not available, a 0.203" (5 mm) shim may be used to locate the pump shaft assembly and to set the correct height. See figures below.



For 1-22SV pumps using motor frame sizes 213TC – 256TC, place adapter ring on top flange of motor adapter. For 33-125SV pumps using motor frame sizes 284TC – 286TC, motor frame sizes 213TC and larger, attach the motor adapter flange to the motor using 4 hex cap screws. Torque to values shown in the “ENGINEERING DATA” section of this manual.

Loosen the 4 coupling socket head screws enough to provide an adequate opening in the coupling to receive the motor shaft.

With an adequately sized crane, carefully lower the motor assembly onto the pump motor adapter and into the coupling. Secure the 4 motor hex cap screws, torquing to the value provided in the “ENGINEERING DATA” section of this manual.

Torque the 4 coupling socket head screws to the value provided in “ENGINEERING DATA” section of this manual. After assembly, the gap between the coupling halves should be equal.

For the 33 through 125SV sizes using a cartridge seal, after coupling bolts have been properly torqued, there are four set screws on the collar of the cartridge seal that require tightening before removing the shim. The four hex head set screws require a 1/8" allen wrench and are to be tightened hand-tight approximately 5 lbs.-ft. (7 N·m).

Remove the motor assembly shim and retain for future use.

Install the 2 coupling guard halves.

START-UP

1. WATER CONNECTION

The water connections must be made by qualified installation technicians in compliance with the regulations in force.

In case of connection to the water system, the regulations issued by the competent authorities (municipal, public utility company) must be observed. Authorities often require the installation of a backflow prevention device, such as a disconnect, check valve or disconnection tank.

2. WIRING AND GROUNDING



- ⚠ Install, ground and wire according to local and National Electrical Code requirements.
- ⚠ Install an all leg disconnect switch near pump.
- ⚠ Disconnect and lockout electrical power before installing or servicing pump.

⚠ Electrical supply **MUST** match pump’s nameplate specifications. Incorrect voltage can cause fire, damage motor and voids warranty.

⚠ Motors equipped with automatic thermal protectors open the motor’s electrical circuit when an overload exists. This can cause the pump to start unexpectedly and without warning.

Use only stranded copper wire to motor and ground. Wire size **MUST** limit the maximum voltage drop to 10% of the motor nameplate voltage, at the motor terminals. Excessive voltage drop will affect performance and void motor warranty. The ground wire must be at least as large as the wires to the motor. Wires should be color coded for ease of maintenance.

Three phase motors require all leg protection with properly sized magnetic starters and thermal overloads.



PERMANENTLY GROUND THE PUMP, MOTOR AND CONTROLS PER NEC OR LOCAL CODES BEFORE CONNECTING TO ELECTRICAL POWER. FAILURE TO DO SO CAN CAUSE SHOCK, BURNS OR DEATH.

Motors should be wired according to manufacturer instructions.

NOTICE: UNIT ROTATION IS DETERMINED WHEN VIEWED FROM MOTOR END. SEE PAGE 17 FOR MOTOR ROTATION DETAIL. INCORRECT ROTATION MAY CAUSE DAMAGE TO THE PUMP AND VOIDS WARRANTY.

Check pump rotation by observing the motor fan or the coupling **THROUGH** the coupling guard. **DO NOT** confuse the flow arrows, stamped on the pump body, with the rotation arrows, stamped on the coupling and motor adapter. Three phase motors only – If rotation is incorrect, have a qualified electrician interchange any two of the three power cable leads.

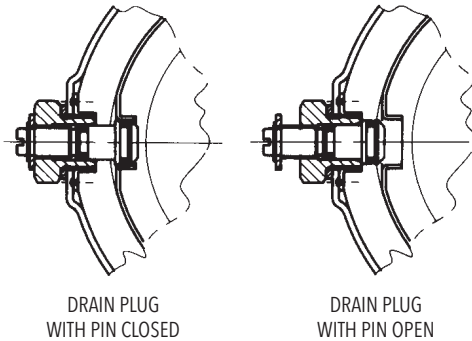
3. PRIMING/VENTING

For installations with the liquid level above the pump:

Close the discharge valve.

Remove the vent plug.

For models 1SV, 3SV and 5SV only, it is necessary to fully unscrew the pin located in the drain plug. See figures below.



For sizes 10SV-12.5SV the vent plug is supplied with an internal needle valve, so it is not necessary to remove the vent plug. Simply unscrew the needle valve half way to open the valve to allow air to escape. (For sizes 33SV-92SV, if the pump is supplied with a cartridge seal, remove the vent plug located on the gland plate beneath the coupling.)

Open the suction valve until liquid flows out of the vent plug opening.

NOTICE: DO NOT REMOVE AND REPLACE DRAIN PLUG WITH ANOTHER PLUG OR PIPING FIXTURE FROM ANY OTHER MANUFACTURER, OR SIGNIFICANT LOSS OF PUMP PERFORMANCE MAY OCCUR AS A RESULT.

NOTE: Place a loose rag over the open vent port to prevent large amounts of liquid from being sprayed on the pump and adjacent equipment.

Care should be exercised if you are pumping hot water or chemicals to avoid personal injury.

Install and torque the vent plug to the values provided in the “ENGINEERING DATA” section of this manual. Close the drain plug pin (1SV, 3SV and 5SV only) and open the discharge valve.

For installations with the liquid level below the pump:

Install foot valve at suction end.

For models 1SV, 3SV and 5SV only, it is necessary to fully unscrew the pin located in the drain plug. See figures above.

With the provided plastic funnel, completely fill the casing with liquid.

Install and torque the vent plug, close the drain plug pin (1SV, 3SV and 5SV only) and open the suction valve.

OPERATION



DO NOT OPERATE UNIT WITHOUT SAFETY GUARD IN PLACE. TO DO SO CAN CAUSE SEVERE PERSONAL INJURY.

NOTICE: PUMP MUST BE COMPLETELY PRIMED BEFORE OPERATION.



DO NOT OPERATE PUMP AT OR NEAR ZERO FLOW. TO DO SO CAN CAUSE EXTREME HEAT, DAMAGE TO THE PUMP, INJURY OR PROPERTY DAMAGE.

Start the pump, keeping the on-off valve downstream from the pump closed. Open the on-off valve gradually. The pump must run smoothly and noiselessly. If necessary, reprime the pump. Check the current absorbed by the motor and, if necessary, adjust the setting of the thermal relay. Any air pockets trapped inside the pump may be released by loosening the air screw for all e-SV pumps.



If a pump installed in a location where freezing may occur remains inactive, you must drain it through the drain plugs. This operation is not necessary if a suitable anti-freeze has been added to the water.



Make sure that the drained liquid does not cause damage or injuries.

After stabilizing the system at normal operating conditions, check piping for correct alignments. If necessary, adjust pipe supports.



HAZARDOUS MACHINERY. MOTOR THERMAL PROTECTORS CAN RESTART MOTOR UNEXPECTEDLY AND WITHOUT WARNING, CAUSING SEVERE PERSONAL INJURY.

See the “ENGINEERING DATA” section in this manual for the recommended maximum pump starts per hour.

MAINTENANCE



DISCONNECT AND LOCKOUT ELECTRICAL POWER BEFORE ATTEMPTING ANY MAINTENANCE. FAILURE TO DO SO CAN CAUSE SHOCK, BURNS OR DEATH.

MOTOR LUBRICATION

Recommended Motor Bearing Lubrication Intervals

Interval	Service Environment
1 - 2 Years	Light Duty in Clean Atmosphere
1 Year	8 - 16 hours/day - Clean, Dry Atmosphere
6 Months	12 - 24 hours/day - Moisture Present
3 Months	12 - 24 hours/day - Dirty, High Moisture

When lubricants are operated at elevated temperatures, the lubrication frequency should be increased.

DO NOT intermix grease bases (lithium, sodium, etc.). Completely purge old grease if changing grease base.

Over greasing can cause excessive bearing temperatures, lubricant and bearing failure.

MECHANICAL SEAL REPLACEMENT

(e-SV 1-125)

1. Close all necessary suction and discharge valves to isolate the pump from the system.
2. Drain the liquid from the pump by removing the drain plug and opening the needle valve on the vent plug.
3. Remove the coupling guards, the 4 coupling hex cap screws, the coupling and coupling drive pin. See 1-3, Figure 5.
4. Remove the 4 motor hex cap screws (inner screws) on the seal housing. See step 4.
5. Remove the seal housing plate on 33-125SV models, using the two tapped holes provided. Threading 2 of the hex cap screws into these holes and evenly tightening the screws. Lift and remove the seal housing between the pump and motor shaft. Exercise care when sliding the seal housing between the shaft to prevent damage to the stationary seat. See step 5.
6. Turn the seal housing upside down and remove the stationary seat and o-ring. Remove and discard the large o-ring used to seal the seal housing to the pump head. Inspect the seal seat for any burrs or debris. Make sure that the seat is clean. Lubricate the shaft or sleeve lightly. Use a water-based lubricant. Install the new seat by pressing the seal housing with your thumb. **DO NOT USE EXCESSIVE FORCE** and, if possible, place a clean soft cloth over the seal face to protect the seal faces during installation.
7. Remove the rotary portion at the mechanical seal by sliding the rotary unit axially upwards along the pump shaft. Inspect the pump shaft for any burrs or debris. Any burrs should be ground smooth with (fine grit) emery paper. See step 7 in Figure 5.
8. Lubricate the o-ring located in the ID of the rotary unit of the mechanical seal with a lubricant compatible with the seal elastomers. Carefully slide the rotary unit of the mechanical seal down the shaft. Rotate the seal to locate the pin on the bottom of the seal with the holes in the shaft sleeve (33-125SV only). Cycle seal up and down to lubricate o-ring and prevent seal from sticking to shaft. See step 8 in Figure 5.

9. Install a new seal housing o-ring on the seal housing. A lubricant can be used to hold the o-ring on the diameter of the seal housing. Carefully reinstall the seal housing between the pump and motor shaft and slide the seal housing down the shaft into position. **Use caution when mounting the seal housing between the pump/motor shaft so that the seal face on the stationary seat is not damaged.** See step 9 in Figure 5.
10. Reinstall the 4 hex cap screws, tightening the screws evenly and then torquing them to the values given in the engineering data. See step 10 in Figure 5.
11. Reinstall the coupling pin and locate the space shim on the shaft on the seal housing. **If the shim is not available, a 5 mm spacer can be used.** See step 11 in Figure 5.
12. Reinstall the coupling halves and evenly tighten the coupling bolts and torque them to the values given in the coupling section. Remove the spacer shim and save for future use. See step 12 in Figure 5.
13. Rotate the shaft by hand to insure that the pump and motor rotate freely. Reinstall the coupling guard.
14. The pump and system should be vented prior to starting the pump. See Section 3, page 13, for venting procedures.

MECHANICAL SEAL REPLACEMENT

(Sizes 33SV-125SV) Fitted with Cartridge Seals

1. Complete steps 1-4 as defined above for conventional seals.
2. Loosen the 4 set screws located around the ID of the pump shaft.
3. Remove the cartridge seal using the two tapped holes provided on the gland of the cartridge seal by threading two of the hex cap screws into these holes and evenly tightening these screws. Lift and remove the cartridge seal between the pump and motor shaft.
4. Inspect the pump shaft for any burrs or debris. Any burrs should be ground smooth with (fine grit) emery paper.
5. Install a new o-ring on the turned fit of the new cartridge seal. Lubricate the o-ring located in the ID of the cartridge seal. Use a lubricant compatible with the seal elastomers to hold the o-ring.
6. Install the new cartridge seal on the pump by carefully sliding it between the pump and motor shaft and then sliding it into position.
7. Complete steps 11-14 as defined above for the conventional seals.
8. After installing the coupling, tighten the four set screws located in the collar of the cartridge seal to secure the seal to the pump shaft.
9. Rotate the shaft by hand to insure that the pump and motor rotate freely. Reinstall the coupling guard.
10. Use vent connections on cartridge seal for proper venting.

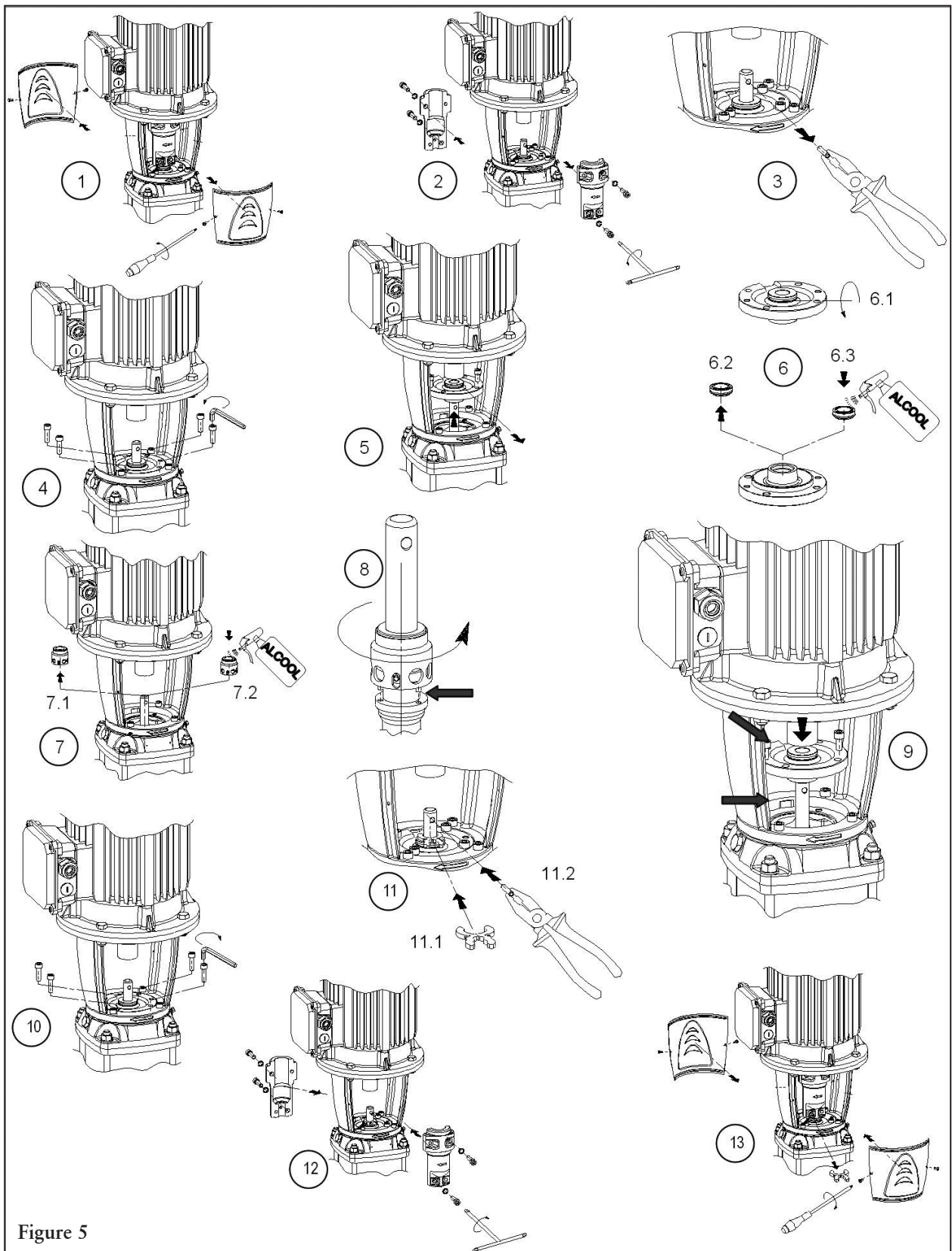


Figure 5

PUMP STACK REMOVAL



1. Close all necessary suction and discharge valves.
2. Drain the liquid from the pump by removing the lower drain plug and the upper vent plug.
3. Remove the coupling guards, the 4 coupling hex cap screws, the coupling and coupling drive pin.
4. Remove the 4 motor hex cap screws.

- *On 33-125SV units with motor frames 213TC and larger and 1-22SV units with motor frames 280TC and larger, remove the 4 motor adapter flange hex cap screws.
5. With an adequately sized crane, carefully remove the motor. DO NOT rest the motor on the motor shaft.
 6. Remove Seal Gland or Cartridge Seal
 - For 1-22SV units, remove the 4 socket head cap screws to lift and remove the seal gland.
 - For 33-125SV units without cartridge seal;
 1. Remove the 4 socket head cap screws.
 2. Lift and remove the seal gland. If seal gland does not lift by hand, use the two tapped holes provided to loosen and lift the gland for removal.
 - For 33-125SV units with cartridge seal;
 1. Loosen the 4 set-screws located around the ID of the pump shaft.
 2. Remove the 4 socket head cap screws.
 3. Remove the cartridge seal using the two tapped holes provided on the gland of the cartridge seal by threading two of the hex cap screws into these holes and evenly tightening these screws.
 4. Once loosened, lift and remove the cartridge seal.
 7. Remove the 4 tie rod nuts and washers.
 8. Remove Motor Adapter / Motor adapter assembly and upper seal plate
 - For 1-22SV units lift the motor adapter to remove. *Note that the upper seal plate may remove with the motor adapter when lifting. If the upper seal plate remains on the pump casing, lift to remove.
 - For 33-125SV units, lift the motor adapter assembly (motor adapter and top seal plate). A crane may be required to safely lift the motor adapter assembly.
 9. Remove the pump stack, grasp the pump shaft, rock side to side to free the stack, then lift vertically. If the first stage bowl remained in the pump body, CAREFULLY pry up the bowl and remove.

MOTOR REPLACEMENT

To remove the motor follow steps 1 through 4, as provided in the “MECHANICAL SEAL REPLACEMENT” section of this manual.

For motor frames 213TC and larger, remove the 4 motor hex cap screws and the motor adapter.

Install the motor adapter flange onto the new motor, torquing the 4 hex cap screws to the values provided in the “ENGINEERING DATA” section of this manual.

Complete the reassembly following steps 17 through 22 in the “MECHANICAL SEAL REPLACEMENT” section of this manual.

All additional unit service or maintenance, not addressed in this manual, should be performed at a qualified service location. Contact your local dealer or Goulds Water Technology distributor for assistance.

TROUBLESHOOTING GUIDE



DISCONNECT AND LOCKOUT ELECTRICAL POWER BEFORE ATTEMPTING ANY MAINTENANCE. FAILURE TO DO SO CAN CAUSE SHOCK, BURNS OR DEATH.

SYMPTOM

MOTOR NOT RUNNING

See Probable Cause – 1 through 5

LITTLE OR NO LIQUID DELIVERED BY PUMP

See Probable Cause – 6 through 12

POWER CONSUMPTION TOO HIGH

See Probable Cause – 3, 12, 13, 15

EXCESSIVE NOISE AND VIBRATION

See Probable Cause – 3, 6 - 8, 10, 12, 13, 16

PROBABLE CAUSE

1. Motor thermal protector tripped.
2. Open circuit breaker or blown fuse.
3. Impellers binding.
4. Motor improperly wired.
5. Defective motor.
6. Pump is not primed, air or gases in liquid.
7. Discharge, suction plugged or valve closed.
8. Incorrect rotation (three phase only).
9. Low voltage or phase loss.
10. Impellers worn or plugged.
11. System head too high.
12. $NPSH_A$ too low – excessive suction lift or losses.
13. Discharge head too low – excessive flow rate.
14. Fluid viscosity, specific gravity too high.
15. Worn bearing.
16. Pump, motor or piping loose.

ENGINEERING DATA

TORQUE VALUES

HP	Motor Bolt	Adapter Flange	Coupling		
			1-5SV	10-22SV	33-92SV
0.75-7.5 HP	20 lbs ft (27 N-m)	-	15 lbs ft (20 N-m)	40 lbs ft (54 N-m)	37 lbs ft (50 N-m)
10-75 HP	45 lbs ft (61 N-m)	48 lbs ft (65 N-m)*	15 lbs ft (20 N-m)	40 lbs ft (54 N-m)	48 lbs ft (65 N-m)

*213TC and 215TC Adapter Flange use 30 lbs ft (40 N-m)

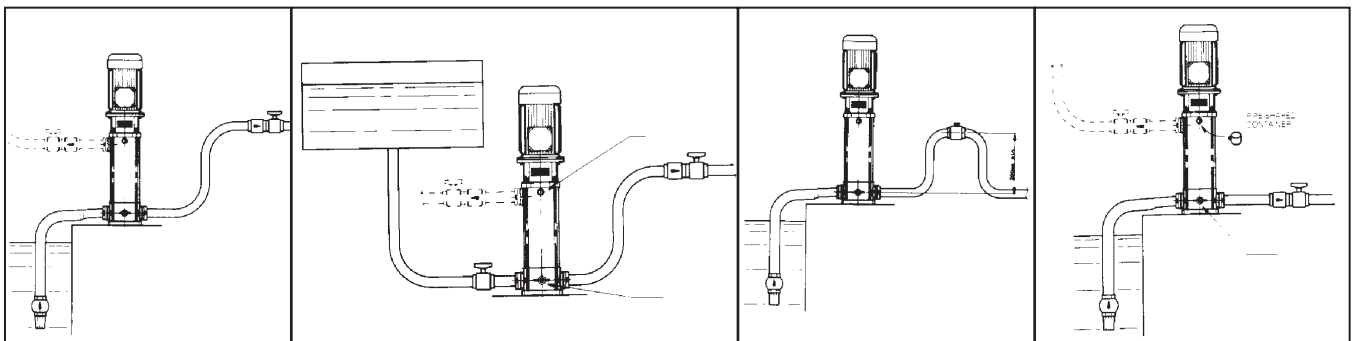
TORQUE VALUES

Pump Size	Tie Rod Nuts	Vent and Drain
1-5SV	18 lbs ft (24 N-m)	18 lbs ft (24 N-m)
10-22SV	22 lbs ft (30 N-m)	18 lbs ft (24 N-m)
33-125SV	44 lbs ft (60 N-m)	30 lbs ft (41 N-m)

VENT NEEDLE

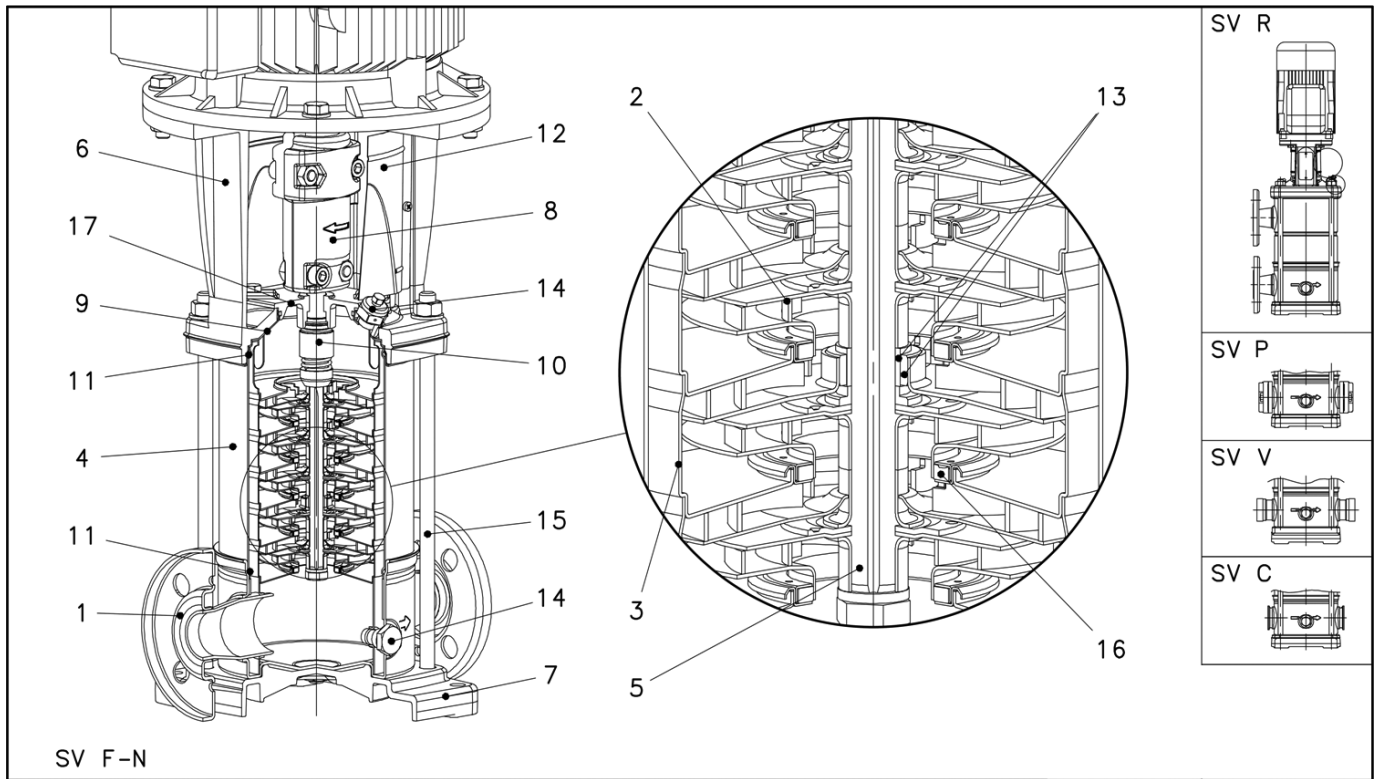
Pump Size	
1-5SV	7 lbs ft (9.5 N-m)
10-22SV	
33-125SV	

TYPICAL PLUMBING AND INSTALLATION



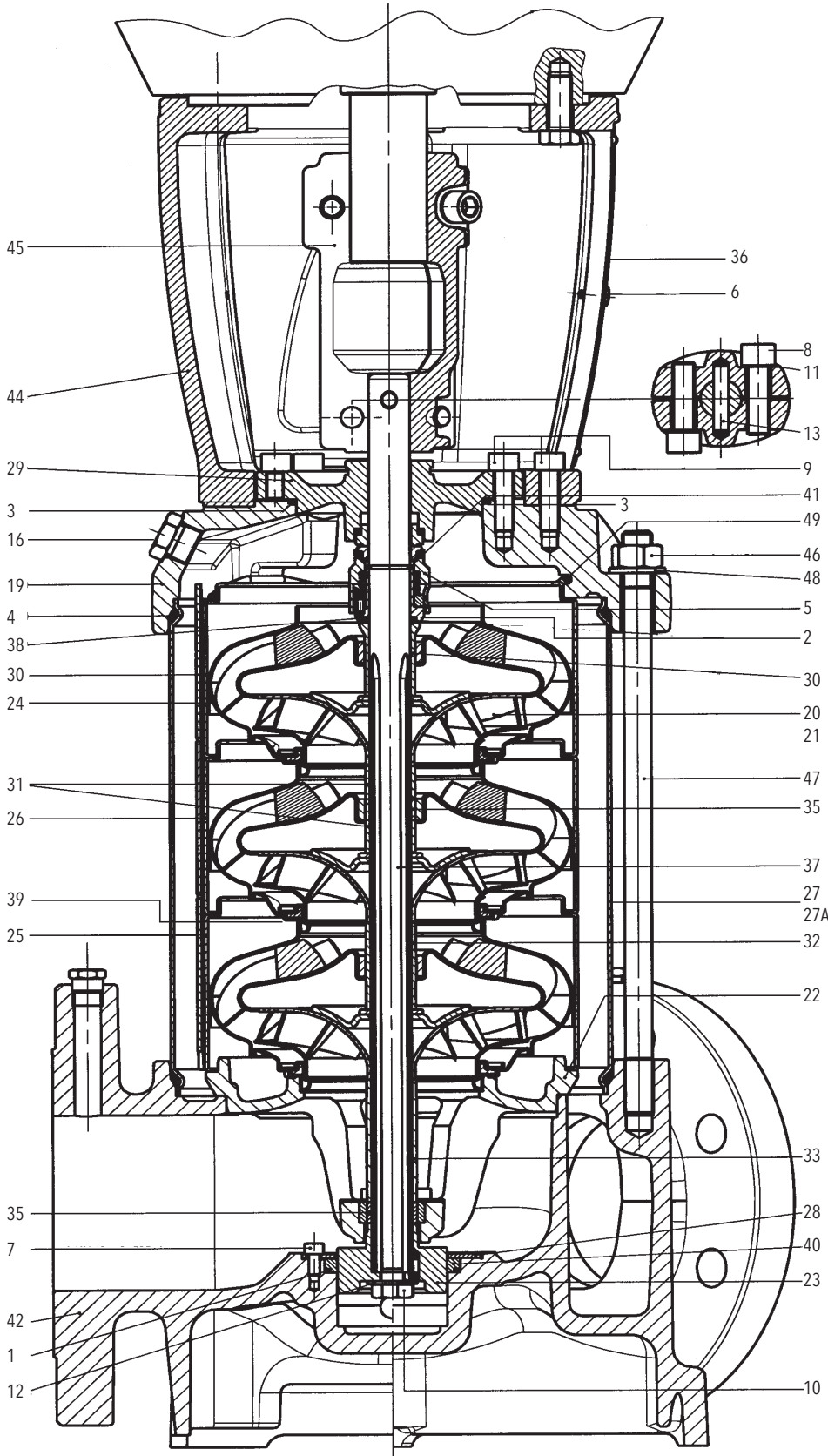
NOTE: Discharge loop must be high enough to keep liquid in the bottom stages during shut-down.

1-22SV MAJOR COMPONENTS

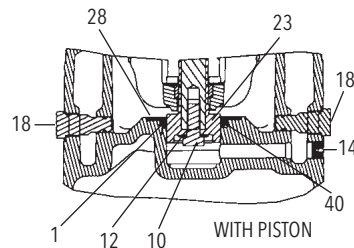
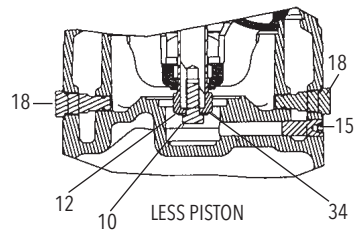


- 1 Pump Body
- 2 Impeller
- 3 Diffuser
- 4 Casing
- 5 Shaft
- 6 Adapter
- 7 Base
- 8 Coupling
- 9 Seal Plate
- 10 Mechanical Seal
- 11 Elastomers
- 12 Coupling Guard
- 13 Shaft Sleeve and Bushing
- 14 Fill/Drain Plugs
- 15 Tie Rods
- 16 Wear Ring
- 17 Seal Gland

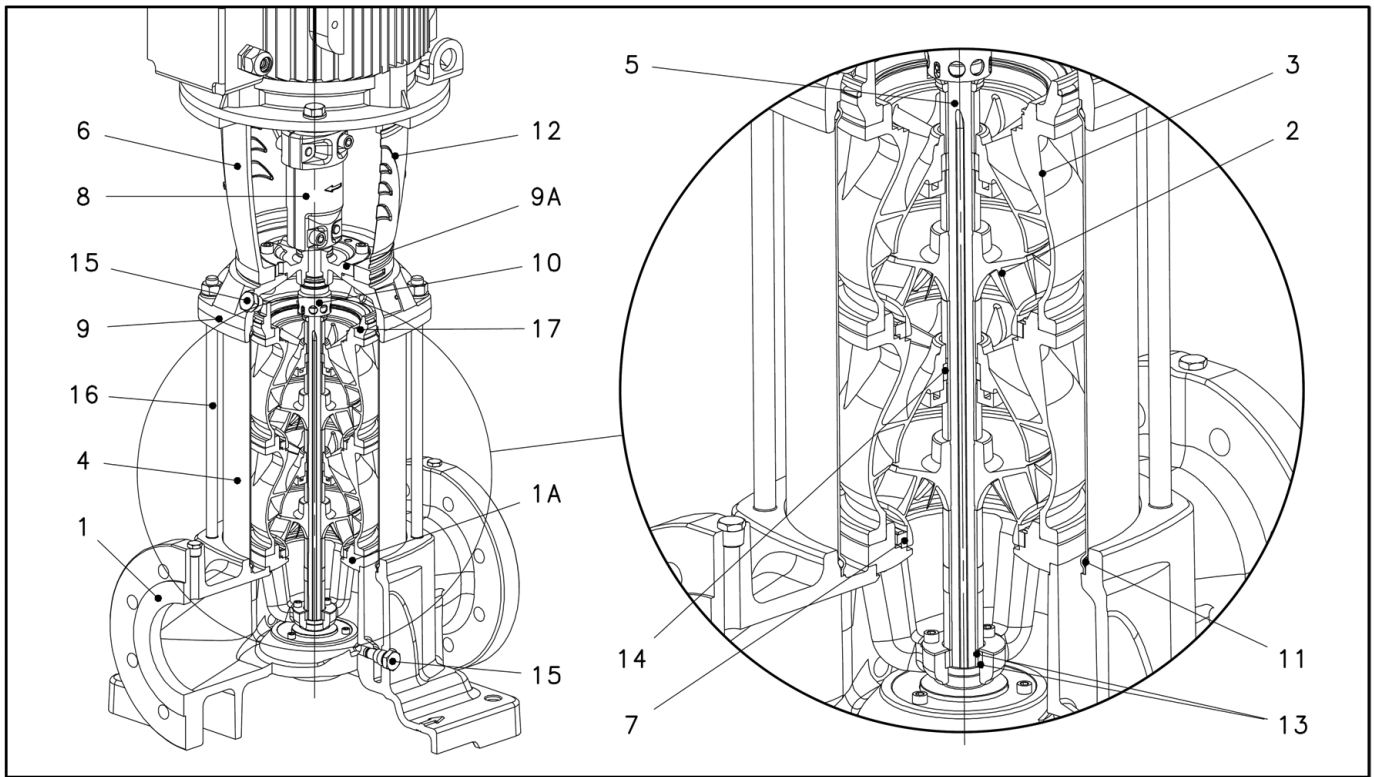
33SV - 92SV MAJOR COMPONENTS



- 1 O-Ring, Piston Seal
- 2 O-Ring, Mechanical Seal
- 3 O-Ring, Seal housing
- 4 O-Ring, Sleeve
- 5 Mechanical Seal
- 5A Cartridge Seal (not shown)
- 6 Screw, Guard
- 7 Screw, Piston Holding Disc
- 8 Screw, Coupling
- 9 Screw, MA and Seal Housing
- 10 Screw, Impeller
- 11 Washer, Coupling
- 12 Washer, Impeller
- 13 Pin, Coupling
- 14 Plug, with Piston
- 15 Plug, without Piston
- 16 Plug, Fill
- 17 Plug, Vent (not shown)
- 18 Plug, Drain
- 19 Pump Head
- 20 Impeller, Full Diameter
- 21 Impeller, Reduced Diameter
- 22 Lower Bearing Assembly
- 23 Piston
- 24 Diffuser, Final
- 25 Diffuser with Carbon Bushing
- 26 Diffuser with Tungsten Bushing
- 27 Outer Sleeve, 25 Bar
- 27A Outer Sleeve, 40 Bar
- 28 Holding Disc, Piston Seal
- 29 Seal Housing
- 30 Spacer, Impeller Final
- 31 Spacer, Shaft Bushing
- 32 Spacer, Impeller
- 33 Spacer, Impeller Lower (66-92SV)
- 34 Bushing, Non-Piston
- 35 Tungsten Carbide Bushing
- 36 Coupling Guard
- 37 Shaft
- 38 Mechanical Seal Shaft Sleeve
- 39 Wear Ring, Impeller
- 40 Piston Seal
- 41 Stop Ring, Impeller
- 42 Pump Body
- 43 Motor Adapter Plate (not shown)
- 44 Motor Adapter
- 45 Coupling, Half
- 46 Nut, Tie-Rod
- 47 Tie-Rod
- 48 Washer, Tie-Rod
- 49 Spring, Final Diffuser



125SV MAJOR COMPONENTS



- 1 Pump Body
- 2 Impeller
- 3 Diffuser
- 4 Casing
- 5 Shaft
- 6 Adapter
- 7 Elastomer O-ring
- 8 Coupling
- 9 Seal Plate
- 10 Mechanical Seal
- 11 Elastomer O-ring
- 12 Coupling Guard
- 13 Shaft Sleeve and Bushing
- 14 Shaft Bushing
- 15 Fill/Drain Plugs
- 16 Tie Rods
- 17 Elastomer O-ring

Software License Agreement

BY USING THE i-Alert™ CONDITION MONITOR, YOU AGREE TO BE BOUND BY THE TERMS AND CONDITIONS OF THE FOLLOWING LICENSE AGREEMENT. PLEASE READ THIS AGREEMENT CAREFULLY.

ITT Corporation and its subsidiaries, affiliates, either directly, or through its authorized sublicensees ("ITT") grants you a limited, non-exclusive license to use the software embedded in this device ("Software") in binary executable form in the normal operation of the i-Alert™ condition monitor for monitoring the condition of any ITT Goulds Pump Models, Xylem Bell & Gossett Series 1510 Pump and Xylem eSV pump models. Title, ownership rights, and intellectual property rights in and to the Software remain in ITT or its third-party providers. You agree that this license agreement does not need to be signed for it to take effect.

You acknowledge that this Software is the property of ITT and is protected under United States of America copyright laws and international copyright treaties. You further acknowledge that the structure, organization, and code of the Software are valuable trade secrets of ITT and/or its third-party providers and that the Software in source code form remains a valuable trade secret of ITT. You agree not to decompile, disassemble, modify, reverse assemble, reverse engineer, or reduce to human readable form the Software or any part thereof or create any derivative works based on the Software. You agree not to export or re-export the Software to any country in violation of the export control laws of the United States of America.

Declaration of Conformity

We at,
Xylem Inc./Goulds Water Technology
1 Goulds Drive
Auburn, NY 13021

Declare that the following products: NPE, MCS, MCC, 3656, 3656 SP, GB, e-SV, SVI, NPO, Prime Line SP, HB, HMS, LC, NPV, LB, LBS comply with Machine Directive 06/42/EC. This equipment is intended to be incorporated with machinery covered by this directive, but must not be put into service until the machinery into which it is to be incorporated has been declared in conformity with the actual provisions of the directive.

COMMERCIAL WARRANTY

For goods sold to commercial buyers, Seller warrants the goods sold to Buyer hereunder (with the exception of membranes, seals, gaskets, elastomer materials, coatings and other "wear parts" or consumables all of which are not warranted except as otherwise provided in the quotation or sales form) will be (i) be built in accordance with the specifications referred to in the quotation or sales form, if such specifications are expressly made a part of this Agreement, and (ii) free from defects in material and workmanship for a period of one (1) year from the date of installation or twelve (12) months from the date of shipment (which date of shipment shall not be greater than eighteen (18) months after receipt of notice that the goods are ready to ship), whichever shall occur first, unless a longer period is specified in the product documentation (the "Warranty").

Except as otherwise required by law, Seller shall, at its option and at no cost to Buyer, either repair or replace any product which fails to conform with the Warranty provided Buyer gives written notice to Seller of any defects in material or workmanship within ten (10) days of the date when any defects or non-conformance are first manifest. Under either repair or replacement option, Seller shall not be obligated to remove or pay for the removal of the defective product or install or pay for the installation of the replaced or repaired product and Buyer shall be responsible for all other costs, including, but not limited to, service costs, shipping fees and expenses. Seller shall have sole discretion as to the method or means of repair or replacement. Buyer's failure to comply with Seller's repair or replacement directions shall terminate Seller's obligations under this Warranty and render the Warranty void. Any parts repaired or replaced under the Warranty are warranted only for the balance of the warranty period on the parts that were repaired or replaced. Seller shall have no warranty obligations to Buyer with respect to any product or parts of a product that have been: (a) repaired by third parties other than Seller or without Seller's written approval; (b) subject to misuse, misapplication, neglect, alteration, accident, or physical damage; (c) used in a manner contrary to Seller's instructions for installation, operation and maintenance; (d) damaged from ordinary wear and tear, corrosion, or chemical attack; (e) damaged due to abnormal conditions, vibration, failure to properly prime, or operation without flow; (f) damaged due to a defective power supply or improper electrical protection; or (g) damaged resulting from the use of accessory equipment not sold or approved by Seller. In any case of products not manufactured by Seller, there is no warranty from Seller; however, Seller will extend to Buyer any warranty received from Seller's supplier of such products.

THE FOREGOING WARRANTY IS EXCLUSIVE AND IN LIEU OF ANY AND ALL OTHER EXPRESS OR IMPLIED WARRANTIES, GUARANTEES, CONDITIONS OR TERMS OF WHATEVER NATURE RELATING TO THE GOODS PROVIDED HEREUNDER, INCLUDING WITHOUT LIMITATION ANY IMPLIED WARRANTIES OF MERCHANTABILITY AND FITNESS FOR A PARTICULAR PURPOSE, WHICH ARE HEREBY EXPRESSLY DISCLAIMED AND EXCLUDED. EXCEPT AS OTHERWISE REQUIRED BY LAW, BUYER'S EXCLUSIVE REMEDY AND SELLER'S AGGREGATE LIABILITY FOR BREACH OF ANY OF THE FOREGOING WARRANTIES ARE LIMITED TO REPAIRING OR REPLACING THE PRODUCT AND SHALL IN ALL CASES BE LIMITED TO THE AMOUNT PAID BY THE BUYER FOR THE DEFECTIVE PRODUCT. IN NO EVENT SHALL SELLER BE LIABLE FOR ANY OTHER FORM OF DAMAGES, WHETHER DIRECT, INDIRECT, LIQUIDATED, INCIDENTAL, CONSEQUENTIAL, PUNITIVE, EXEMPLARY OR SPECIAL DAMAGES, INCLUDING BUT NOT LIMITED TO LOSS OF PROFIT, LOSS OF ANTICIPATED SAVINGS OR REVENUE, LOSS OF INCOME, LOSS OF BUSINESS, LOSS OF PRODUCTION, LOSS OF OPPORTUNITY OR LOSS OF REPUTATION.



Xylem Inc.
2881 East Bayard Street Ext., Suite A
Seneca Falls, NY 13148
Phone: (866) 673-0445
Fax: (888) 322-5877
www.xylem.com/goulds

Goulds is a registered trademark of Goulds Pumps, Inc. and is used under license.
© 2021 Xylem Inc. IM228 Revision 10 February 2021



Modelo e-SV

INSTRUCCIONES DE INSTALACIÓN, OPERACIÓN Y MANTENIMIENTO

Tabla de contenido

TEMA	PÁGINA
Sistema de numeración de la línea de productos e-SV	25
Instrucciones de seguridad.....	7
Reseña General.....	7
Descripción del producto	7
Aplicaciones	7
Verificaciones previas a la instalación.....	7
Transporte y almacenamiento	9
Instalación.....	10
Arranque	12
Operación	13
Mantenimiento.....	13
Recambio de sellos mecánicos (tamaños 1SV-125SV)	13
Recambio de sellos mecánicos (tamaños 33SV-125SV) con sellos de cartucho.....	14
Recambio del motor	14
Resolución de problemas.....	16
Datos de ingeniería.....	17
Plomería e instalación habituales	17
Componentes principales de e-SV.....	18
Garantía limitada.....	22

Información del propietario

Número de modelo de la bomba: _____

Número de serie de la bomba: _____

Número de modelo de control: _____

Distribuidor: _____

No. de teléfono del distribuidor: _____

Fecha de compra: _____ Instalación: _____

Lecturas de corriente en el arranque:

1 Ø	3 Ø	L1-2	L2-3	L3-1
Amps: _____	Amps: _____	_____	_____	_____
Voltios: _____	Voltios: _____	_____	_____	_____

Línea de productos e-SV

Sistema de numeración sólo para 1 - 22SV extremo líquido

Las diversas versiones de la línea e-SV están identificadas por un número de código de producto en la etiqueta de la bomba. Este número es, también, el número de catálogo de la bomba. Se indica el significado de cada dígito en el número de código de producto a continuación.

Nota: No todas las combinaciones son posibles.

Ejemplo de código de producto

22 SV 0 2 F E 3 0

Configuraciones especiales (caracteres opcionales)

F = con anulación de etapas - 1 etapa
 G = con anulación de etapas - 2 etapas
 H = solo montaje horizontal
 J = montaje horizontal + pasivación
 K = montaje horizontal + baja NPSH

L = montaje horizontal + alta presión
 N = solo baja NPSH
 P = solo pasivación
 S = configuración modificada para requisitos particulares
 Z = solo alta presión

Material del sello

0 = Grafito-grafito y silicona-Viton (estándar)
 1 = Grafito-grafito y silicona-AFLAS (alta temperatura)
 2 = Grafito y silicona-grafito y silicona-Viton
 4 = Grafito y silicona-grafito y silicona-EPR
 6 = Grafito-grafito y silicona-EPR

Polo-Hz-Fase

1 = 2-50 3 = 2-60
 2 = 4-50 4 = 4-60

Armazón del motor (NEMA)

A = 56C E = 280TC
 B = 180TC F = 320TSC
 C = 210TC G = 360TSC
 D = 250TC H = 140TC

Configuración

C = Abrazadera-316 P = Victaulic-316
 F = Redondo-304 (SVB) T = Ovalado-304 (SVA)
 G = CI-304
 N = Redondo-316 (SVD)

Tapa/parte inferior
 R = (SVC) 12Succ-12Desc
 W = (SVC) 12Succ-03Desc
 X = (SVC) 12Succ-06Desc
 Y = (SVC) 12Succ-09Desc

succión
descarga
ubicación

Número total de etapas de la turbina (puede tener 1 o 2 caracteres)

Línea de productos:

SV: vertical de acero inoxidable

Flujo nominal:

1 = 5 GPM 10 = 53 GPM
 3 = 16 GPM 15 = 80 GPM
 5 = 26 GPM 22 = 116 GPM

Línea de productos e-SV

Sistema de numeración sólo para 33 - 125SV extremo líquido

Las diversas versiones de la línea e-SV están identificadas por un número de código de producto en la etiqueta de la bomba. Este número es, también, el número de catálogo de la bomba. Se indica el significado de cada dígito en el número de código de producto a continuación.

Nota: No todas las combinaciones son posibles.

Ejemplo de código de producto

125 SV 8 1 2 B F E 2 0

Configuraciones especiales (caracteres opcionales)

- F = con anulación de etapas - 1 etapa
- G = con anulación de etapas - 2 etapas
- H = solo montaje horizontal
- J = montaje horizontal + pasivación
- K = montaje horizontal + baja NPSH (solo 33, 46 y 66)
- L = montaje horizontal + alta presión
- N = solo baja NPSH (solo 33, 46 y 66)

- P = solo pasivación
- S = configuración modificada para requisitos particulares
- Z = alta presión (cuerpo de la bomba # 250/300)
- V12 = Hydrovar Package 1Ø, 230V input
- V32 = Hydrovar Package 3Ø, 230V input
- V34 = Hydrovar Package 3Ø, 460V input

Material del sello

- 0 = Grafito-grafito y silicona-Viton
- 2 = Grafito y silicona-grafito y silicona-Viton
- 4 = Grafito y silicona-grafito y silicona-EPR
- 6 = Grafito-grafito y silicona-EPR
- 7 = Grafito-grafito y silicona-Viton (carro)
- 8 = Grafito y silicona-grafito y silicona-EPR (carro)

Polo-Hz-Fase

- 1 = 2-50 3 = 2-60
- 2 = 4-50 4 = 4-60

Armazón del motor (NEMA)

- A = 56C E = 280TC
- B = 180TC F = 320TSC
- C = 210TC G = 360TSC
- D = 250TC H = 140TC

Configuración

- G = Redondo-CI-304
- N = Redondo-316

SOLO 125SV

Diámetro reducido de la moldura A = 141 mm B = 136 mm C = 145 mm (Diám. total)
En blanco si es 33-92SV

Número de turbinas con moldura reducida (0, 1, 2)

Total de turbinas/etapas

Línea de productos: SV: vertical de acero inoxidable

Flujo nominal:

- 33 = 175 GPM
- 46 = 240 GPM
- 66 = 350 GPM
- 92 = 485 GPM
- 125 = 660 GPM

Línea de productos e-SV

Sistema de numeración para combinación de bomba y motor de 1 - 22SV

Las diversas versiones de la línea e-SV están identificadas por un número de código de producto en la etiqueta de la bomba. Este número es, también, el número de catálogo de la bomba. Se indica el significado de cada dígito en el número de código de producto a continuación.

Nota: No todas las combinaciones son posibles.

Ejemplo de código de producto

22 SV 2 2 F A 2 F 5 1 A H

Configuraciones especiales (1 o 2 caracteres)

F = con anulación de etapas - 1 etapa
 G = con anulación de etapas - 2 etapas
 H = solo montaje horizontal
 J = montaje horizontal + pasivación
 K = montaje horizontal + baja NPSH
 L = montaje horizontal + alta presión
 N = solo baja NPSH

P = solo pasivación
 S = configuración modificada para requisitos particulares
 Z = alta presión (cuerpo de la bomba # 250/300)
 V12 = Hydrovar Package 1Ø, 230V input
 V32 = Hydrovar Package 3Ø, 230V input
 V34 = Hydrovar Package 3Ø, 460V input

Material del sello

0 = Grafito-grafito y silicona-Viton
 1 = Grafito-grafito y silicona-AFLAS (alta temperatura)
 2 = Grafito y silicona-grafito y silicona-Viton

4 = Grafito y silicona-grafito y silicona-EPR
 6 = Grafito-grafito y silicona-EPR

Caja del motor

1 = ODP	5 = Prem-ODP	9 = Marine
2 = TEFC	6 = Prem-TEFC	A = Chem
3 = X-Proof	7 = Prem-XP	B = Prem-Chem
4 = WD - Tropical	8 = Prem-WD	C = Clase 1 Div 2

Voltaje

A = 115/230	H = 190/380	R = 220
B = 230	J = 115/208-230	S = 415
C = 230/460	K = 208	T = 220/380 WYE
D = 460	L = 208-230	U = 380-660 WYE
E = 575	M = 190-380/415	V = 208-230/460 WYE
F = 208-230/460	N = 380	
G = 200	P = 110/220	

Polo-Hz-Fase

1 = 2-50-1	4 = 2-60-3	7 = 4-60-1
2 = 2-50-3	5 = 4-50-1	8 = 4-60-3
3 = 2-60-1	6 = 4-50-3	

Clasificación de HP

A = 0.50	F = 3	L = 20
B = 0.75	G = 5	M = 25
C = 1.00	H = 7.5	N = 30
D = 1.50	J = 10	P = 40
E = 2	K = 15	

OPCIÓN de configuración

C = Abrazadera-316
 F = Redondo-304 (SVB)
 G = Cl-304
 N = Redondo-316 (SVD)
 P = Victaulic-316
 T = Ovalado-304 (SVA)

Tapa/parte inferior

R = (SVC) 12Succ-12Desc
W = (SVC) 12Succ-03Desc
X = (SVC) 12Succ-06Desc
Y = (SVC) 12Succ-09Desc

Succión
 descarga
 ubicación

Número total de etapas de la turbina (puede tener 1 o 2 caracteres)

Línea de productos:

SV: vertical de acero inoxidable

Flujo nominal:

1 = 5 GPM	10 = 53 GPM
3 = 16 GPM	15 = 80 GPM
5 = 26 GPM	22 = 116 GPM

Línea de productos e-SV

Sistema de numeración para combinación de bomba y motor de 33 - 125SV

Las diversas versiones de la línea e-SV están identificadas por un número de código de producto en la etiqueta de la bomba. Este número es, también, el número de catálogo de la bomba. Se indica el significado de cada dígito en el número de código de producto a continuación.

Nota: No todas las combinaciones son posibles.

Ejemplo de código de producto

125 SV 8 2 A G K 3 F 2 0

Configuraciones especiales (1 o 2 caracteres)

H = solo montaje horizontal
 J = montaje horizontal + pasivación
 K = montaje horizontal + baja NPSH
 L = montaje horizontal + alta presión
 N = solo baja NPSH (solo 33, 46 y 66)

P = solo pasivación
 S = configuración modificada para requisitos particulares
 Z = alta presión
 (cuerpo/carcasa de la bomba# 250/300)

Material del sello

0 = Grafito-grafito y silicona-Viton
 2 = Grafito y silicona-grafito y silicona-Viton
 4 = Grafito y silicona-grafito y silicona-EPR

6 = Grafito-grafito y silicona-EPR
 7 = Grafito-grafito y silicona-Viton (carro)
 8 = Grafito y silicona-grafito y silicona-EPR (carro)

Caja del motor

1 = ODP
 2 = TEFC
 3 = X-Proof
 4 = WD - Tropical
 5 = Prem-ODP
 6 = Prem-TEFC
 7 = Prem-XP
 8 = Prem-WD

9 = Marine
 A = Chem
 B = Prem-Chem
 C = Clase 1 Div 2

Voltaje

A = 115/230
 B = 230
 C = 230/460
 D = 460
 E = 575
 F = 208-230/460
 G = 200
 H = 190/380
 J = 115/208-230
 K = 208
 L = 208-230
 M = 190-380/415
 N = 380
 P = 110/220

R = 220
 S = 415
 T = 220/380 WYE
 U = 380-660 WYE
 V = 208-230/460 WYE

Polo-Hz-Fase

1 = 2-50-1
 2 = 2-50-3
 3 = 2-60-1
 4 = 2-60-3
 5 = 4-50-1
 6 = 4-50-3
 7 = 4-60-1
 8 = 4-60-3

Clasificación de HP

A = 0.50
 B = 0.75
 C = 1.00
 D = 1.50
 E = 2
 F = 3
 G = 5
 H = 7.5
 J = 10
 K = 15
 L = 20
 M = 25
 N = 30
 P = 40
 R = 50
 S = 60
 T = 75
 U = 100

Configuración

G = Redondo CI-304
 N = Redondo-316

SOLO 125SV

**Diámetro reducido de la moldura
 En blanco si es 33-92SV**

A = 141 mm B = 136 mm C = 145 mm (Diám. total)

Número de turbinas con moldura reducida (0, 1, 2)

Número total de etapas de la turbina (puede tener 1 o 2 caracteres)

Línea de productos:

SV: vertical de acero inoxidable

Flujo nominal:

33 = 175 GPM 46 = 240 GPM 66 = 350 GPM
 92 = 485 GPM 125 = 660 GPM

INSTRUCCIONES DE SEGURIDAD

PARA EVITAR LESIONES PERSONALES GRAVES O FATALES O DAÑOS IMPORTANTES A LA PROPIEDAD, LEA Y SIGA TODAS LAS INSTRUCCIONES DE SEGURIDAD EN EL MANUAL Y EN LA BOMBA.

LA FINALIDAD DE ESTE MANUAL ES PROPORCIONAR AYUDA PARA LA INSTALACIÓN Y OPERACIÓN DE ESTA UNIDAD Y DEBE GUARDARSE CON LA BOMBA.



Este es un SÍMBOLO DE ALERTA DE SEGURIDAD. Al ver este símbolo en la bomba o en el manual, busque una de las siguientes palabras de señal y esté alerta al potencial de lesión personal o daños a la propiedad.

PELIGRO

Advierte sobre peligros que CAUSARÁN lesión personal grave, muerte o daños extensos a la propiedad.

ADVERTENCIA

Advierte sobre peligros que PUEDEN causar lesión personal grave, muerte o daños extensos a la propiedad.

PRECAUCIÓN

Advierte sobre peligros que PUEDEN causar lesión personal grave o daños a la propiedad.

AVISO: INDICA INSTRUCCIONES ESPECIALES QUE SON MUY IMPORTANTES Y DEBEN SER SEGUIDAS.

LEA DETENIDAMENTE TODAS LAS INSTRUCCIONES Y ADVERTENCIAS ANTES DE REALIZAR CUALQUIER TRABAJO EN ESTA BOMBA.

MANTENGA TODAS LAS CALCOMANÍAS DE SEGURIDAD.

ADVERTENCIA

Este puede exponerlo a químicos, incluido el plomo, reconocidos por el estado de

California por provocar cáncer y defectos del nacimiento u otros daños reproductivos. Para obtener más información, acceda a: www.P65Warnings.ca.gov.

ADVERTENCIA



LA UNIDAD NO FUE DISEÑADA PARA SER USADA CON LÍQUIDOS PELIGROSOS O GASES INFLAMABLES. ESTOS FLUIDOS PUEDEN ESTAR PRESENTES EN LAS ÁREAS DE CONTENCIÓN.

RESEÑA GENERAL

La finalidad de este manual es brindar la información necesaria para la instalación, la operación y el mantenimiento adecuados de la bomba e-SV. Las instrucciones y advertencias que se brindan a continuación se refieren a la versión estándar, como se describe en los documentos de venta. Las versiones especiales pueden venir con folletos de instrucciones complementarios. Consulte el contrato de venta para ver cualquier modificación o características especiales de la versión. Siempre especifique el tipo exacto de bomba y el código de identificación al solicitar información técnica o repuestos a nuestro departamento de Ventas y Servicios. Para obtener instrucciones, situaciones o sucesos no tomados en cuenta en este manual o en los documentos de venta, comuníquese con su distribuidor.



Lea este manual antes de instalar y utilizar el producto. El uso indebido puede causar lesiones personales y daños a la propiedad e invalidar la cobertura de la garantía.

DESCRIPCIÓN DEL PRODUCTO

La bomba e-SV es una bomba vertical multietapa sin autocebado que puede ser acoplada a motores eléctricos estándar. En los tamaños de bomba 1SV-22SV, algunas de las piezas metálicas que están en contacto con el líquido bombeado están hechas de acero inoxidable y otras de hierro fundido. Están disponibles en diferentes versiones según la posición de los puertos de succión y salida y la forma de las bridas de conexión. En los tamaños 33SV-125SV, algunas de las piezas metálicas que están en contacto con el líquido bombeado están hechas de acero inoxidable y otras, de hierro fundido. Existe una versión especial en la que todas las piezas metálicas en contacto con el líquido bombeado están hechas de acero inoxidable. Si usted compra una bomba sin el motor eléctrico, asegúrese de que el motor que utiliza sea adecuado para acoplarse a la bomba. Todas las bombas e-SV vienen equipadas con un sello mecánico especial diseñado para ser reemplazado fácilmente sin tener que desarmar toda la bomba.

APLICACIONES

Estas bombas son adecuadas para sistemas civiles e industriales de distribución de agua y aplicaciones de refuerzo de presión, irrigación (agricultura, instalaciones deportivas), tra-tamiento de agua, alimentación de caldera, lavado de piezas, refrigeración (aire acondicionado) y apagado de incendios. La fábrica puede poder configurar ciertos modelos para los líquidos de bombeo que tienen características anormales del agua y/o de las aguas residuales (e.g., ácido, básico, el producto petroquímico o los otros líquidos, etc. no acuosos). Cualquier uso de la especialidad requiere la consulta con la fábrica y los personales de ingeniería para una evaluación específica a la aplicación detallada.

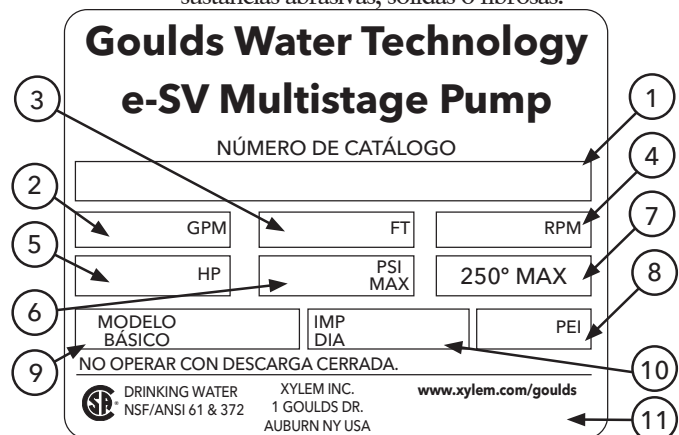
1. PLACA DE IDENTIFICACIÓN



No use esta bomba/unidad eléctrica de bombeo para manipular líquidos inflamables y/o explosivos.

ADVERTENCIA

No use esta bomba para manipular líquidos con sustancias abrasivas, sólidas o fibrosas.



1	Número de catálogo Goulds Water Technology
2	Rango de capacidad
3	Rango de carga dinámica total (TDH)
4	Velocidad calculada
5	Caballos de fuerza calculados
6	Presión máxima de trabajo
7	Temperatura operativa máxima
8	Índice de eficiencia de la bomba
9	Número de modelo básico
10	Diámetro del impulsor
11	Número de serie de la bomba

VERIFICACIONES PREVIAS A LA INSTALACIÓN

Confirme que la bomba sea capaz de funcionar en las condiciones de operación deseadas.

1. PRESIÓN MÍNIMA DE ENTRADA (SUCCIÓN)

En general, la presión mínima de succión necesaria es la que suministra la carga de succión positiva neta disponible (NPSHA, por su sigla en inglés) necesaria para alimentar la bomba. La carga de succión positiva neta requerida (NPSHr, por su sigla en inglés) puede consultarse en la curva de desempeño correspondiente a la bomba en el punto de funcionamiento específico. Se recomienda que la NPSHA supere la NPSHr por un mínimo de (2) dos pies como margen de seguridad y para asegurar el desempeño confiable a largo plazo de su bomba e-SV.

$$P_{s_{\text{MIN}}} = \text{NPSHr} + 2 \text{ pies}$$

NOTA: LA NPSHA DEBE CALCULARSE PARA EL SISTEMA ESPECÍFICO AL QUE SE CONECTARÁ LA BOMBA e-SV. COMUNÍQUESE CON SU VENDEDOR/DISTRIBUIDOR SI NECESITA ASISTENCIA.

2. SUCCIÓN

En teoría, una bomba puede absorber agua de una fuente ubicada 10,33 metros por debajo del nivel de instalación de la bomba, pero esto no sucede porque la bomba ofrece su propia resistencia al flujo intrínseca. Además, la capacidad de succión se reduce como resultado de resistencia al flujo en las tuberías, la diferencia de altura, la temperatura del líquido y la elevación sobre el nivel del mar.

Una mala elección en la colocación altimétrica de la bomba puede provocar cavitación.

Con referencia a la Figura que aparece a continuación y tomando a Z como la altura máxima en que se puede instalar la bomba respecto del nivel de la fuente de líquido, se puede afirmar lo siguiente:

En Unidades SI:

$$Z = P_b \cdot 10,2 - \text{NPSH} - H_f - H_v - 0,5 \text{ [m]}$$

P_b = Presión barométrica [bar] (absoluta)

NPSH_r = NPSH requerida por la bomba [m]

H_f = Pérdidas [m] en las tuberías de succión

H_v = Presión de vapor [m] a la temperatura de aplicación [C]

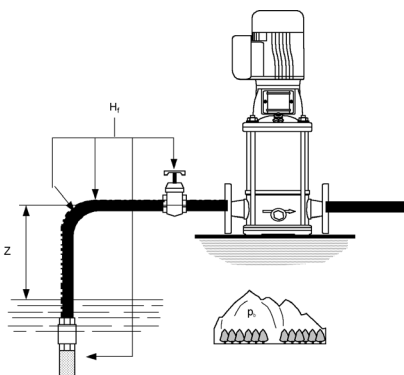
1,5 = factor de seguridad 1,5 [m]

En unidades inglesas:

$$Z = P_b - \text{NPSH}_r - H_f - H_v - 1.5$$

P_b = Presión barométrica [pies] (absoluta)

NPSH_r = NPSH requerida por la bomba [pies]



Temp		Hv	
C	F	m	Pies
20	68	0.23	0.75
30	86	0.43	1.41
40	104	0.75	2.46
50	122	1.26	4.13
60	140	2.03	6.66
70	158	3.18	10.43
80	176	4.83	15.84
90	194	7.15	23.45
100	212	10.34	33.92
110	230	14.61	47.92
120	248	20.27	66.49

H_f = Pérdidas [pies] en las tuberías de succión

H_v = Presión de vapor [pies] a la temperatura de aplicación [F]

1.5 = factor de seguridad 1.5 [pies]

Con los significados dados en la tabla de arriba, se puede afirmar que:

Si $Z \geq 0$, la bomba puede funcionar con una altura máxima de succión igual a Z.

Si $Z < 0$, la bomba debe recibir una presión de entrada igual a -Z.

ADVERTENCIA

No use la bomba si se produce cavitación, ya que se pueden dañar sus componentes internos.

ADVERTENCIA

Si se bombea agua caliente, asegúrese de que el lado de succión tenga condiciones apropiadas para evitar la cavitación.

ADVERTENCIA

Asegúrese de que el total de la presión del lado de succión (sistema de agua, tanque de gravedad) y la presión máxima suministrada por la bomba no superen la presión de trabajo máxima permitida (presión nominal, PN) de la bomba.

3. PRESIÓN MÁXIMA DE ENTRADA, 60 HZ

$$P_{1\text{max}} \leq \text{PN} - p_{\text{máx}}$$

Los símbolos tienen los siguientes significados:

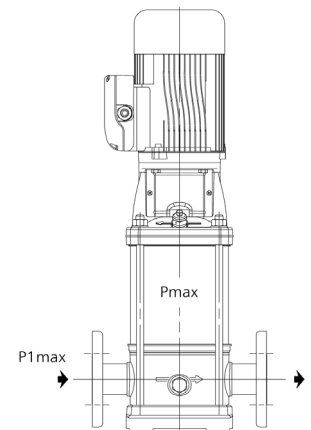
$P_{\text{máx}}$ = Presión máxima suministrada por la bomba

$P_{1\text{max}}$ = Presión máxima de entrada

PN = Presión máxima de trabajo

Si se usa un motor con un eje de cierre axial (estándar), asegúrese de que se cumpla la fórmula de arriba. De no ser así, comuníquese con el Departamento de Ventas y Servicios.

La siguiente tabla muestra la presión de entrada máxima permisible. No obstante, la presión de entrada real + la presión contra una válvula cerrada siempre debe ser inferior a la presión de trabajo máxima permisible.



Bomba	Etapas	$P_{1\text{max}}$ (psig)
1SV	2-5	145
	6-10	218
	11-30	PN-Pmax
3SV	2-3	145
	4-7	218
	8-30	PN-Pmax
5SV	2-3	145
	4-6	290
	7-27	PN-Pmax
10SV	1-2	145
	3-5	290
	6-20	PN-Pmax
15SV	1-2	145
	3	290
	4-15	PN-Pmax
22SV	1-2	145
	3	290
	4-12	PN-Pmax

Bomba	Etapas	$P_{1\text{max}}$ (psig)
33SV	1/1-2/2	45
	2/1-5/2	145
	5/1-7/2	218
	7/1-10	PN-Pmax
46SV	1/1-1	145
	2/2-2	218
	3/2-4/1	290
	4-10/2	PN-Pmax
66SV	1/1-3/2	72
	3/1-4/1	145
	4-5/1	218
	5-6	PN-Pmax
92SV	1/1-2/2	72
	2/1-3/2	145
	3/1-3	218
	4/2-5/1	PN-Pmax
125SV	1-3/3B	290
	3-5/5A	PN-Pmax

4. PRESIÓN MÁXIMA DE TRABAJO (POR ETAPAS A 3500 RPM)

Bomba	Etapas	PSI / Bar
1SV	1-29	362 / 25
	30	580 / 40
3SV	1-23	362 / 25
	24-30	580 / 40
5SV	1-23	362 / 25
	24-27	580 / 40
10SV	1-14	362 / 25
	15-20	580 / 40
15SV	1-11	362 / 25
	12-15	580 / 40
22SV	1-11	362 / 25
	12	580 / 40
33SV	1-6	362 / 25
	7-10	580 / 40
46SV	1-5	362 / 25
	6-10	580 / 40
66SV	1-5	362 / 25
	6	580 / 40
92SV	1-5	362 / 25
125SV	1-6	362 / 25

NOTA: La presión de trabajo máxima de la brida ovalada (1-22SV) es de 232 psi (16 bar).

5. CAPACIDAD DE TEMPERATURA

La bomba e-SV es capaz de bombear líquidos dentro del siguiente rango de temperatura:

Sello estándar

1SV-22SV -22°F to 250°F (-30°C to 120°C)
33SV-125SV -22°F to 250°F (-30°C to 120°C)

Sello de alta temperatura

1SV-22SV -22°F to 300°F (-30°C to 149°C)
33SV-125SV N/A

NOTA: Para brindar la refrigeración correcta al motor eléctrico, la temperatura ambiente debe estar entre 32°F y 104°F y la humedad relativa a 104°F no debe superar el 50 por ciento.

En temperaturas superiores a 104°F y en lugares de instalación ubicados a una elevación superior a los 3000 pies sobre el nivel del mar, puede ser necesario reducir el desempeño del motor. Comuníquese con su distribuidor/vendedor si necesita asistencia.

6. ÍNDICE MÍNIMO DE FLUJO NOMINAL

Para evitar el sobrecalentamiento de los componentes internos de la bomba, asegúrese de que siempre exista un flujo mínimo de agua cuando la bomba se encuentre en funcionamiento. Para un funcionamiento continuo, el índice de flujo mínimo recomendado se especifica a continuación.

Tamaño de bomba	Flujo mínimo GPM			
	3500 RPM	1750 RPM	2900 RPM	1450 RPM
1SV	2	1	2	1
3SV	3	2	3	2
5SV	7	4	6	3
10SV	9	5	8	4
15SV	18	9	15	7
22SV	21	11	18	9
33SV	35	18	8	4
46SV	40	20	10	5
66SV	70	35	14	7
92SV	100	50	20	10
125SV	128	64	106	53

NOTA: Si esto no se puede lograr, se recomienda un desvío/ línea de recirculación.

ADVERTENCIA No haga funcionar la bomba con una descarga cerrada por más de unos segundos.

7. NÚMERO DE ARRANQUES POR HORA

En bombas eléctricas acopladas a motores suministrados por Goulds Water Technology, el número máximo de ciclos de trabajo (arranques y detenciones) en una hora es el siguiente:

HP Máx.	Arranques por hora*	Tiempo Mín. de funcionamiento entre arranques (seg)
0.5	24	120
0.75	24	120
1	15	75
1.5	13	76
2	12	77
3	9	30
5	8	83
7.5	7	88
10	6	92
15	5	100
20	5	110
25	5	115
30	4	120
40	4	130
50	3	145
60	3	170
75	3	180

Para obtener más detalles, consulte el manual técnico.

ADVERTENCIA Si usa un motor diferente al estándar suministrado por Goulds Water Technology, consulte al fabricante del motor para averiguar el máximo de ciclos de trabajo permitidos.

8. REQUISITOS DE ALIMENTACIÓN ELÉCTRICA

ADVERTENCIA Asegúrese de que los voltajes y frecuencias de alimentación sean adecuados para las características del motor eléctrico. Verifique la placa de clasificación del motor.

En general, las tolerancias de voltaje de alimentación para la operación del motor son las siguientes:

Hz	Fase	UN	
		V	±%
60	1	230	10
60	3	230 / 460	10
60	3	460	10

TRANSPORTE Y ALMACENAJE

1. TRANSPORTE Y MANIPULACIÓN DEL PRODUCTO EMPACADO

La bomba e-SV es empacada en cajas de cartón o cajones de madera de diferentes dimensiones y formas.

ADVERTENCIA Algunas cajas de cartón (la base de apoyo está hecha de madera) están diseñadas para ser transportadas y manipuladas en posición vertical. Otras cajas de cartón, y también los cajones de madera, están diseñados para ser transportados y manipulados en posición horizontal. Proteja el producto contra la humedad, las fuentes de calor y los daños mecánicos (choques, caídas...). No coloque pesos pesados en las cajas de cartón.



Levante y manipule el producto con cuidado, usando equipos de elevación adecuados.

Cumpla con todas las normas de prevención de accidentes.

Cuando reciba la bomba, controle la parte externa del paquete en busca de signos evidentes de daños. Si el producto posee signos visibles de daños, notifique a nuestro distribuidor en los 8 días posteriores a la fecha de entrega.

2. ALMACENAJE DEL PRODUCTO EMPACADO

Temperatura ambiente entre 32°F y 104°F.

A corto plazo: (Menos de 6 meses) El procedimiento normal de embalaje de Goulds Water Technology está diseñado para proteger la bomba durante el transporte. Al recibir la bomba, almacénela en un lugar cubierto y seco.

A largo plazo: (Más de 6 meses) Rote el eje varias veces cada 3 meses. Consulte a los fabricantes del motor y el acoplamiento para que le informen sus procedimientos de almacenamiento a largo plazo. Almacene en un lugar cubierto y seco.

3. DESEMPAQUE DEL PRODUCTO



Use equipos adecuados. Cumpla con todas las normas vigentes de prevención de accidentes.

Levante y manipule el producto con cuidado, usando equipos de elevación adecuados.

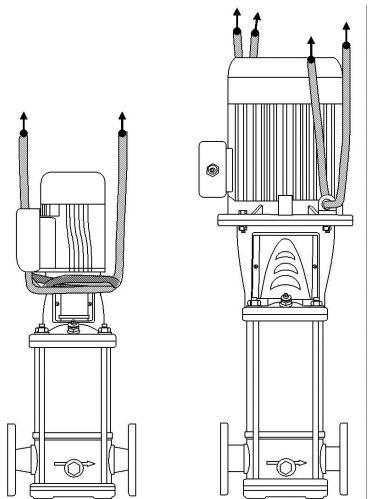
Cuando reciba la bomba, controle la parte externa del paquete en busca de signos evidentes de daños. Si el producto posee signos visibles de daños, notifique a nuestro distribuidor en los 8 días posteriores a la fecha de entrega.

4. MANIPULACIÓN DEL PRODUCTO



Levante y manipule el producto con cuidado, usando equipos de elevación adecuados. Cumpla con las normas vigentes de prevención de accidentes.

El producto debe estar sujeto con arneses para tareas de elevación y manipulación. Algunas bombas eléctricas poseen cáncamos que pueden ser usados con este fin.



INSTALACIÓN

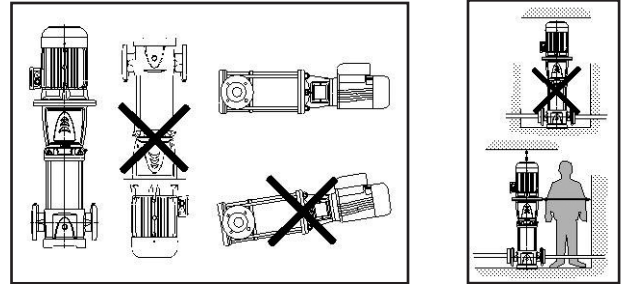


Las operaciones de instalación deben ser realizadas por personal calificado y experimentado. Use equipos y protecciones adecuadas. Cumpla con las normas vigentes de prevención de accidentes.

Consulte las normas, la legislación y los códigos locales y/o nacionales vigentes relacionados con la selección del lugar de instalación y las conexiones de agua y electricidad.

1. SELECCIÓN DEL LUGAR

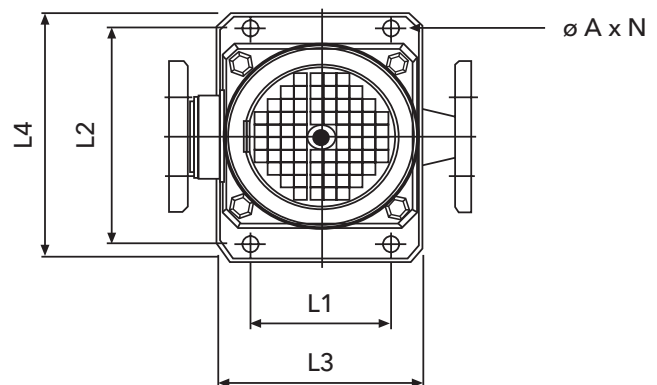
Asegúrese de que no haya obstrucciones u obstáculos que afecten el flujo normal del aire refrigerante suministrado por el ventilador del motor. Asegúrese de que exista un espacio libre adecuado alrededor de la bomba para operaciones de mantenimiento. Siempre que sea posible, eleve ligeramente la bomba del nivel del piso. Consulte las figuras que aparecen a continuación y en la parte superior de la próxima columna para ver configuraciones posibles de instalación. La operación horizontal requiere un montaje especial con una bomba configurada horizontalmente.



2. ANCLAJE

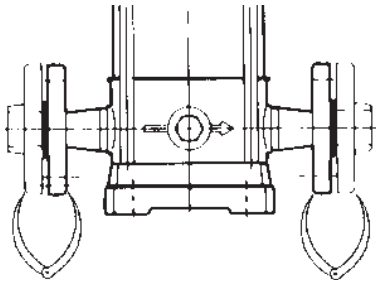
La bomba debe ser anclada firmemente con pernos a una base de concreto o una estructura metálica equivalente (repisa o plataforma). Si la bomba es de gran tamaño y necesita ser instalada cerca de cuartos habitados por personas, se deben brindar soportes adecuados de amortiguación de vibración para evitar la transmisión de vibraciones de la bomba a la estructura reforzada de concreto. A continuación se muestran las dimensiones de la base de la bomba y los agujeros de anclaje.

	15V-55V	105V-225V	335V	465V-925V	1255V
	in (mm)				
L1	3,94 (100)	5,12 (130)	6,69 (170)	7,48 (190)	10,83 (275)
L2	7,09 (180)	8,46 (215)	9,45 (240)	10,43 (265)	14,96 (380)
L3	5,91 (150)	7,28 (185)	8,66 (220)	9,45 (240)	12,99 (330)
L4	8,27 (210)	9,65 (245)	11,42 (290)	12,4 (315)	17,72 (450)
ØA	0,51 (13)		0,59 (15)		0,75 (19)
N	0,16 (4)				

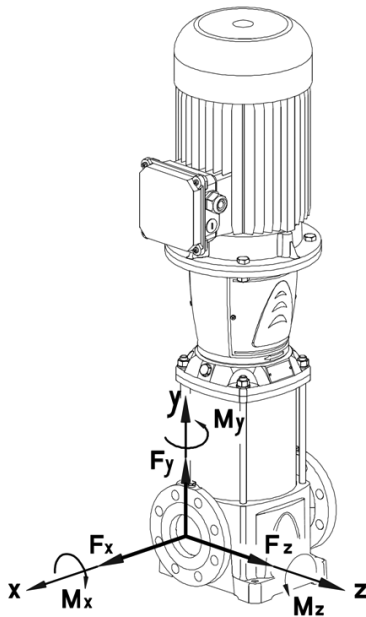


3. ALINEACIÓN Y CARGA DE BRIDAS

La mejor manera de lograr la alineación angular de las bridas de succión y descarga es usar calibres en las ubicaciones de los pernos. Ver la figura que aparece a continuación.



AVISO: NO COLOQUE LA TUBERÍA EN SU LUGAR FORZANDO LAS CONEXIONES DE SUCCIÓN O DESCARGA DE LA BOMBA.



4. TUBERÍAS

Las tuberías de descarga y succión no deben ser inferiores a la apertura respectiva de la bomba y deben mantenerse lo más cortas posibles y evitarse los accesorios innecesarios para minimizar las pérdidas de fricción.

AVISO: LAS TUBERÍAS DEBEN TENER SOPORTES INDEPENDIENTES Y NO SE DEBEN COLOCAR CARGAS HIDRÁULICAS EN LA BOMBA.

Si se requieren tuberías de succión más grandes, se debe instalar un reductor de tuberías excéntrico, CON EL LADO RECTO HACIA ARRIBA, en la succión de la bomba.

Si se instala la bomba debajo de la fuente de líquido, instale la válvula de aislamiento de flujo completo en la tubería de succión para inspección o mantenimiento de la bomba.

AVISO: NO USE LA VÁLVULA DE AISLAMIENTO EN EL LADO DE SUCCIÓN DE LA BOMBA PARA ESTRANGULAR LA BOMBA. ESTO PUEDE CAUSAR PÉRDIDA DE CEBADO,

TEMPERATURAS EXCESIVAS Y DAÑOS A LA BOMBA Y ANULAR LA GARANTÍA.

Si se instala la bomba arriba de la fuente de líquido, se **DEBE** proveer lo siguiente:

Para evitar bolsas de aire, ninguna parte de la tubería de succión debe estar arriba de la succión de la bomba.

En cualquier sección de tuberías horizontales, incline las tuberías hacia arriba a partir de la fuente de líquido.

Todas las juntas de las tuberías de succión **DEBEN** ser herméticas.

Use una válvula de contención para cebar o para retener el cebado cuando el funcionamiento es intermitente.

El filtro de succión o campana de succión **DEBE** tener por lo menos el triple del diámetro de la tubería de succión.

Asegúrese de que el tamaño y la sumergencia mínima de líquido sobre la entrada de succión sean suficientes para evitar que ingrese aire a la bomba a través de un vórtice de succión. Vea las tuberías de succión habituales en las Figuras 1-4.

Instale una válvula de verificación de descarga adecuada para manejar el flujo y los líquidos y prevenir el flujo de retorno.

Instale una válvula de compuerta del tamaño adecuado, **DESPUÉS** de la válvula de descarga, para regular la capacidad de la bomba, para inspección de la bomba y para tareas de mantenimiento.

Cuando se requiere un amplificador de tubos, instálelo entre la válvula de verificación y la descarga de la bomba.

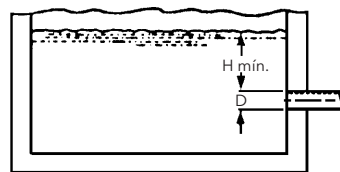


Figura 1

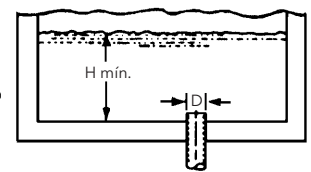


Figura 2

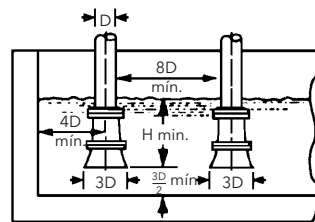


Figura 3

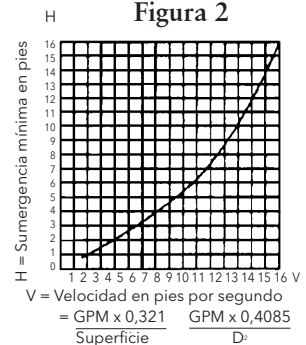


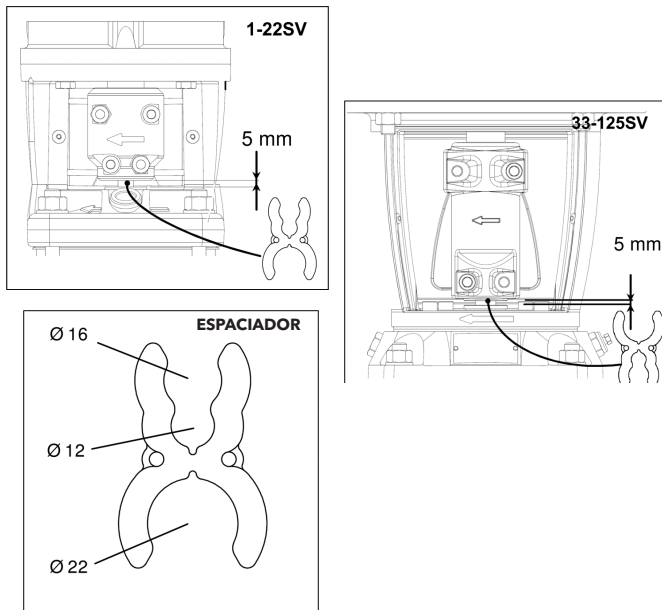
Figura 4

5. ALINEACIÓN DEL EJE: DEL MOTOR A LA BOMBA

Cuando la bomba es comprada sin motor, viene con un espaciador del montaje del motor posicionado entre el adaptador del motor y el acoplamiento.

Para montar el motor a la bomba, remueva las tiras plásticas de envío, las 2 mitades del protector de acoplamiento de acero inoxidable y el poliuretano expandido.

Asegúrese de que el espaciador del montaje del motor esté correctamente posicionado entre el acoplamiento y el adaptador del motor. Si no está disponible el espaciador del montaje del motor, se puede usar un espaciador de 0,203" (5 mm) para ubicar el montaje del eje de la bomba y fijar la altura correcta. Ver las figuras que aparecen.



En bombas 1-22SV con tamaños de armazón de motor entre 213TC y 256TC, coloque el anillo del adaptador en la brida superior del adaptador del motor. En bombas 33-125SV con tamaños de armazón de motor entre 284TC y 286TC, y tamaños de armazón de motor de 213TC en adelante, conecte la brida del adaptador del motor al motor usando 4 tornillos hexagonales. Haga torque hasta los valores mostrados en la sección de "DATOS DE INGENIERÍA" de este manual.

Afloje los 4 tornillos de cabeza hueca del acoplamiento lo suficiente para que el eje del motor pueda entrar en la apertura en el acoplamiento.

Con una grúa de tamaño adecuado, baje el montaje del motor con cuidado sobre el adaptador del motor de la bomba y dentro del acoplamiento. Ajuste los 4 tornillos hexagonales del motor, haciendo torque hasta el valor dado en la sección de "DATOS DE INGENIERÍA" de este manual.

Ajuste los 4 tornillos de cabeza hueca del acoplamiento hasta el valor dado en la sección de "DATOS DE INGENIERÍA" de este manual. Después del ensamblaje, el espacio libre entre las mitades del acoplamiento debe ser igual.

En los tamaños de 33 a 125SV con sello de cartucho, después de hacer torque correctamente en los pernos de acoplamiento, hay que ajustar cuatro tornillos de fijación en el collar de sello de cartucho antes de remover el espaciador. Los cuatro tornillos de fijación de cabeza hexagonal requieren una llave Allen de 1/8" y deben ser bien ajustados aproximadamente a 5 lbs./pie (7 N•m).

Quite el espaciador del montaje del motor y guárdelo para uso posterior.

Instale las 2 mitades del protector de acoplamiento.

ARRANQUE

1. CONEXIÓN DE AGUA

Las conexiones de agua deben ser realizadas por técnicos de instalación calificados en cumplimiento con las normas vigentes.

En el caso de la conexión al sistema de agua, se deben cumplir las normas emitidas por las autoridades competentes (municipales, empresa de servicios públicos). Las autoridades a menudo exigen la instalación de un dispositivo de prevención de flujo de retorno, como un desconector, una válvula de verificación o un tanque de desconexión.

2. CABLEADO Y CONEXIÓN A TIERRA



Instale, haga la conexión a tierra y realice el cableado de acuerdo con las exigencias locales y del Código Nacional de Electricidad.

Instale un interruptor de desconexión de todos los circuitos derivados cerca de la bomba.

Desconecte y bloquee la energía eléctrica antes de instalar la bomba o realizarle tareas de mantenimiento.

El suministro eléctrico **DEBE** ser compatible con las especificaciones de la placa de identificación de la bomba. Un voltaje incorrecto puede provocar un incendio o daños al motor y anular la garantía.

Los motores equipados con protectores térmicos automáticos abren el circuito eléctrico del motor cuando se produce una sobrecarga. Esto puede hacer que la bomba arranque inesperadamente y sin aviso previo.

Use solo cable de cobre trenzado al motor y a tierra. El tamaño del cable **DEBE** limitar la caída máxima de voltaje al 10% del voltaje indicado en la placa de identificación del motor en los terminales del motor. Una caída excesiva de voltaje afectará el desempeño e invalidará la garantía del motor. El cable a tierra debe ser por lo menos del mismo tamaño que los cables al motor. Los cables deben ser codificados con colores para facilitar el mantenimiento.

Los motores trifásicos requieren protección para todos los circuitos derivados con arrancadores magnéticos y sobrecargas térmicas del tamaño adecuado.



CONECTE A TIERRA PERMANENTEMENTE LA BOMBA, EL MOTOR Y LOS CONTROLES SEGÚN LOS CÓDIGOS NEC O LOCALES ANTES

DE CONECTAR AL SUMINISTRO ELÉCTRICO. DE NO HACERLO, SE PUEDEN PROVOCAR DESCARGAS ELÉCTRICAS, QUEMADURAS O LA MUERTE.

Motors should be wired according to manufacturer instructions.

VISO: LA ROTACIÓN DE LA UNIDAD ESTÁ DETERMINADA SEGÚN LA VISIÓN DESDE EL EXTREMO DEL MOTOR. CONSULTE LA PÁGINA 17 PARA VER UN DETALLE DE LA ROTACIÓN DEL MOTOR. UNA ROTACIÓN INCORRECTA PUEDE CAUSAR DAÑOS A LA BOMBA Y ANULA LA GARANTÍA.

Verifique la rotación de la bomba observando el ventilador del motor o el acoplamiento **A TRAVÉS** del protector de acoplamiento. **NO** confunda las flechas de flujo, estampadas en el cuerpo de la bomba, con las flechas de rotación en el acoplamiento y el adaptador del motor. Solo motores trifásicos: si la rotación es incorrecta, haga que un electricista calificado intercambie dos de los tres conductores de suministro de energía.

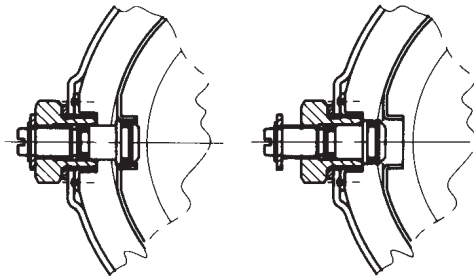
3. CEBADO/RESPIRACIÓN

Para instalaciones con el nivel de líquido sobre la bomba:

Cierre la válvula de descarga.

Quite el tapón del respiradero.

Solo en el caso de los modelos 1SV, 3SV y 5SV, es necesario aflojar completamente la clavija ubicada en el tapón de drenaje. Ver la figura que aparece a continuación.



TAPÓN DE DRENAJE
CON LA CLAVIJA CERRADA

TAPÓN DE DRENAJE
CON LA CLAVIJA ABIERTA

En los tamaños 10SV-125SV, el tapón de ventilación se suministra con una válvula de aguja interna, por lo que no es necesario remover el tapón de ventilación. Simplemente debe aflojar hasta la mitad la válvula de aguja para abrirla y que el aire se pueda escapar. (En los tamaños 33SV-92SV, si la bomba se entrega con un sello de cartucho, remueva el tapón de ventilación ubicado en la placa del prensaestopas debajo del acoplamiento).

Abra la válvula de succión hasta que salga líquido de la abertura del tapón de ventilación.

AVISO: NO RETIRE Y SUSTITUYA EL TAPÓN DE DRENAJE CON CUALQUIER OTRO TAPÓN O ACCESORIO DE TUBERÍA DE CUALQUIER OTRO FABRICANTE, YA QUE PUEDE AFECTAR SIGNIFICATIVAMENTE EL DESEMPEÑO DE LA BOMBA.

NOTA: Coloque un trapo suelto sobre el puerto de ventilación abierto para evitar que se rocíen grandes cantidades de líquido sobre la bomba y los equipos adyacentes.

Se debe tener cuidado si se está bombeando agua caliente o agentes químicos para evitar lesiones personales.

Instale y haga torque en el tapón de ventilación hasta los valores dados en la sección de “**DATOS DE INGENIERÍA**” de este manual. Cierre la clavija del tapón de drenaje (solo 1SV, 3SV y 5SV) y abra la válvula de descarga.

Para instalaciones con el nivel de líquido por debajo de la bomba:

Instale una válvula de contención en el extremo de succión.

Solo en el caso de los modelos 1SV, 3SV y 5SV, es necesario aflojar completamente la clavija ubicada en el tapón de drenaje. Ver la figura en la página anterior.

Con el embudo de plástico suministrado, llene por completo la carcasa con líquido.

Instale y haga torque en el tapón de ventilación, cierre la clavija del tapón de drenaje (solo 1SV, 3SV y 5SV) y abra la válvula de succión.

OPERACIÓN



NO OPERE LA UNIDAD SIN HABER COLOCADO LAS PROTECCIONES DE SEGURIDAD. SI LO HACE, SE PUEDEN PROVOCAR LESIONES PERSONALES GRAVES.

AVISO: LA BOMBA DEBE SER CEBADA COMPLETAMENTE ANTES DE OPERARLA.



NO OPERE LA BOMBA CON FLUJO CERO O CASI CERO. AL HACERLO, SE PUEDE GENERAR CALOR EXTREMO Y PROVOCAR DAÑOS A LA BOMBA, LESIONES O DAÑOS A LA PROPIEDAD.

Arranque la bomba, manteniendo cerrada la válvula de encendido-apagado que está aguas abajo respecto de la bomba. Abra gradualmente la válvula de encendido-apagado. La bomba debe funcionar suavemente y sin hacer ruido. De ser necesario, vuelva a cebar la bomba. Verifique la corriente absorbida por el motor y, de ser necesario, ajuste la configuración del relé térmico. Cualquier bolsa de aire atrapada dentro de la bomba puede liberarse aflojando el tornillo de aire en todas las bombas e-SV.



ADVERTENCIA Si una bomba instalada en un lugar donde se pueden producir heladas permanece inactiva, debe drenarla a través de los tapones de drenaje. Esta operación no es necesaria si se ha agregado al agua un anticongelante adecuado.



Asegúrese de que el líquido drenado no cause daños o lesiones.

Después de estabilizar el sistema en condiciones normales de funcionamiento, controle las tuberías para verificar que estén bien alineadas. De ser necesario, ajuste los soportes de las tuberías.



Máquina Peligrosa

MAQUINARIA PELIGROSA. LOS PROTECTORES TÉRMICOS DEL MOTOR PUEDEN HACER QUE EL MOTOR VUELVA A ARRANCAR DE MANERA INESPERADA Y SIN PREAVISO, LO QUE PUEDE PROVOCAR LESIONES PERSONALES GRAVES.

Consulte la sección de “DATOS DE INGENIERÍA” de este manual para ver el máximo de arranques recomendados de la bomba por hora.

MANTENIMIENTO



Voltaje peligroso

DESCONECTE Y BLOQUEE LA ENERGÍA ELÉCTRICA ANTES DE INTENTAR REALIZAR CUALQUIER TAREA DE MANTENIMIENTO. DE NO HACERLO, SE PUEDEN PROVOCAR DESCARGAS ELÉCTRICAS, QUEMADURAS O LA MUERTE.

LUBRICACIÓN DEL MOTOR

Intervalos recomendados de lubricación del cojinete del motor

Intervalo de mantenimiento	Ambiente
1 - 2 años	Servicio liviano en una atmósfera limpia
1 año	8-16 horas/día - Atmósfera limpia y seca
6 meses	12-24 horas/día - Humedad presente
3 meses	12-24 horas/día - Sucio, alta humedad

Cuando se usan lubricantes a temperaturas elevadas, la frecuencia de lubricación debe incrementarse.

NO mezclar bases de grasa (litio, sodio, etc.). Purgar completamente la grasa usada si cambia la base de grasa.

Si se engrasa en exceso, se pueden generar temperaturas excesivas en el cojinete y fallos en el lubricante y el cojinete.

RECAMBIO DE SELLOS MECÁNICOS (e-SV 1-125)

1. Cierre todas las válvulas de succión y descarga necesarias para aislar la bomba del sistema.
2. Drene el líquido de la bomba quitando el tapón de drenaje y abriendo la válvula de aguja del tapón de ventilación.
3. Quite los protectores del acoplamiento, los 4 tornillos hexagonales del acoplamiento, el acoplamiento y la uña de arrastre del acoplamiento. Ver los pasos 1-3.

4. Quite los 4 tornillos hexagonales del motor (tornillos internos) del alojamiento del sello. Consultar el paso 4.
5. Quite la placa del alojamiento del sello en los modelos 33-125SV usando los dos agujeros roscados provistos. Enrosque 2 de los tornillos hexagonales en estos agujeros y ajústelos de manera pareja. Levante y quite el alojamiento del sello entre la bomba y el eje del motor. Tenga cuidado al deslizar el alojamiento del sello entre el eje para evitar dañar el asiento fijo. Consultar el paso 5.
6. Dé vuelta el alojamiento del sello y remueva el asiento fijo y la junta tórica. Quite y deseche la junta tórica grande usada para sellar el alojamiento del sello al cabezal de la bomba. Inspeccione el asiento del sello en busca de rebabas o suciedad. Asegúrese de que el asiento esté limpio. Lubrique el eje o la funda ligeramente. Utilice un lubricante a base de agua. Instale el nuevo asiento presionando la caja de sellado con su pulgar. NO HAGA DEMASIADA FUERZA y, de ser posible, coloque un trapo limpio y suave sobre la cara del sello para protegerla durante la instalación.
7. Remueva la parte giratoria del sello mecánico deslizando la unidad giratoria axialmente hacia arriba por el eje de la bomba. Inspeccione el eje de la bomba en busca de rebabas o suciedad. Lije cualquier rebaba con una lija (fina) hasta dejarla lisa. Ver el paso 7 en la Figura 5.
8. Lubrique la junta tórica ubicada en la identificación de la unidad giratoria del sello mecánico con un lubricante compatible con los elastómeros del sello. Deslice con cuidado la unidad giratoria del sello mecánico hacia abajo por el eje. Rote el sello para ubicar el pasador en la parte inferior del sello junto a los agujeros del manguito del eje (solo 33-125SV). Suba y baje el sello para lubricar la junta tórica y evitar que el sello se pegue al eje. Ver el paso 8 en la Figura 5.
9. Instale la nueva junta tórica del alojamiento del sello. Se puede usar un lubricante para sostener la junta tórica en el diámetro del alojamiento del sello. Reinstale con cuidado el alojamiento del sello entre la bomba y el eje del motor y deslícelo hacia abajo por el eje hasta su posición. **Tenga cuidado al montar el alojamiento del sello entre la bomba/el eje del motor para que la cara del sello en el asiento fijo no se dañe.** Ver el paso 9 en la Figura 5.
10. Reinstale los 4 tornillos hexagonales, ajustándolos de manera pareja y luego haciendo torque hasta los valores dados en los datos de ingeniería. Ver el paso 10 en la Figura 5.
11. Reinstale el pasador de acoplamiento y ubique la cuña espaciadora en el eje del alojamiento del sello. **Si no tiene la cuña, se puede usar un espaciador de 5 mm.** Ver el paso 11 en la Figura 5.
12. Reinstale las mitades del alojamiento y ajuste de manera pareja los pernos del alojamiento y haga torque hasta los valores dados en la sección del acoplamiento. Quite la cuña espaciadora y guárdela para uso posterior. Ver el paso 12 en la Figura 5.
13. Rote el eje manualmente para asegurarse de que la bomba y el motor roten libremente. Reinstale el protector del acoplamiento.

- La bomba y el sistema deben ser ventilados antes de arrancar la bomba. Ver la Sección 3, página 8, para consultar procedimientos de ventilación.

RECAMBIO DE SELLOS MECÁNICOS (tamaños 33SV-125SV) con sellos de cartucho

- Realice los pasos 1-4 definidos anteriormente para los sellos convencionales.
- Afloje los 4 tornillos de fijación ubicados alrededor de la identificación del eje de la bomba.
- Quite el sello de cartucho usando los dos agujeros roscados del prensaestopas del sello de cartucho enroscando dos de los tornillos hexagonales en estos agujeros y ajustándolos de manera pareja. Levante y quite el sello de cartucho entre la bomba y el eje del motor.
- Inspeccione el eje de la bomba en busca de rebabas o suciedad. Lije cualquier rebaba con una lija (fina) hasta dejarla lisa.
- Instale la nueva junta tórica en el montaje invertido del nuevo sello de cartucho. Lubrique la junta tórica ubicada en la identificación del sello de cartucho. Use un lubricante compatible con los elastómeros del sello para sostener la junta tórica.
- Instale el nuevo sello de cartucho en la bomba deslizándolo con cuidado entre la bomba y el eje del motor y luego deslizándolo hasta su posición.
- Realice los pasos 11-14 definidos anteriormente para los sellos convencionales.
- Después de instalar el acoplamiento, ajuste los cuatro tornillos de fijación ubicados en el collar del sello de cartucho para unir el sello al eje de la bomba.
- Rote el eje manualmente para asegurarse de que la bomba y el motor roten libremente. Reinstale el protector del acoplamiento.
- Use las conexiones de ventilación en el sello de cartucho para ventilar correctamente.

EXTRACCIÓN DE LA PILA DE LA BOMBA



- Cierre todas las válvulas de succión y descarga necesarias.
- Drene el líquido de la bomba. Para ello, extraiga el tapón de drenaje inferior y el tapón de escape superior.
- Extraiga los protectores del acoplamiento, los 4 tornillos de cabeza hexagonal del acoplamiento, el acoplamiento y el pasador del accionador del acoplamiento.
- Extraiga los 4 tornillos de cabeza hexagonal del motor.

hexagonal del motor.

*En las unidades 33-125SV con bastidores del motor 213TC y más grandes y en las unidades 1-22SV con bastidores del motor 280TC y más grandes, extraiga los 4 tornillos de cabeza hexagonal de la brida del adaptador del motor.

- Con una grúa del tamaño adecuado, extraiga el motor con cuidado. NO apoye el motor sobre el eje del motor.
- Extraiga el prensaestopas o el sello del cartucho
 - Para las unidades 1-22SV, extraiga los 4 tornillos de cabeza hueca hexagonal para elevar y extraer el prensaestopas.

- Para las unidades 33-125SV sin sello del cartucho;
 - Extraiga los 4 tornillos de cabeza hexagonal.
 - Eleve y extraiga el prensaestopas. Si el prensaestopas no se eleva con la mano, use los dos orificios roscados suministrados para aflojarlo y levantarlo a fin de extraerlo.
- Para las unidades 33-125SV con sello del cartucho;
 - Afloje los 4 tornillos de fijación ubicados alrededor del id. del eje de la bomba.
 - Extraiga los 4 tornillos de cabeza hexagonal.
 - Extraiga el sello del cartucho con los dos orificios roscados suministrados en el prensaestopas del sello del cartucho. Para ello, enrosque dos de los tornillos hexagonales en estos orificios y apriételos de manera pareja.
 - Después de aflojado, eleve y extraiga el sello del cartucho.
- Extraiga las 4 tuercas y arandelas de la barra de acoplamiento.
- Extraiga el adaptador del motor/conjunto del adaptador del motor y la placa del sello superior
 - Para las unidades 1-22SV, eleve el adaptador del motor para extraerlo. *Observe que la placa del sello superior puede quitarse con el adaptador del motor al elevar. Si la placa del sello superior permanece en el alojamiento de la bomba, eleve para extraer.
 - Para las unidades 33-125SV, eleve el conjunto del adaptador del motor (adaptador del motor y placa del sello superior). Es posible que se requiera una grúa para elevar de manera segura el conjunto del adaptador del motor.
- Extraiga la pila de la bomba, sujete el eje de la bomba, desplácelo de lado a lado para liberar la pila y eleve verticalmente. Si el cuenco de la primera etapa permaneció en el cuerpo de la bomba, haga palanca CUIDADOSAMENTE en el cuenco y extráigalo.

RECAMBIO DEL MOTOR

Para quitar el motor, siga los pasos de 1 a 4, como se explica en la sección de “RECAMBIO DE SELLOS MECÁNICOS” de este manual.

Para armazones de motor de 213TC en adelante, remueva los 4 tornillos hexagonales del motor y el adaptador del motor.

Instale la brida del adaptador del motor en el nuevo motor, haciendo torque en los 4 tornillos hexagonales dados en la sección de “DATOS DE INGENIERÍA” de este manual.

Complete el rearmado siguiendo los pasos 17 a 22 de la sección de “RECAMBIO DE SELLOS MECÁNICOS” de este manual.

Todas las demás tareas de servicio o mantenimiento de la unidad, no tratadas en este manual, deben ser realizadas en un establecimiento calificado de servicio. Comuníquese con su distribuidor local o el distribuidor de Goulds Water Technology para recibir asistencia.

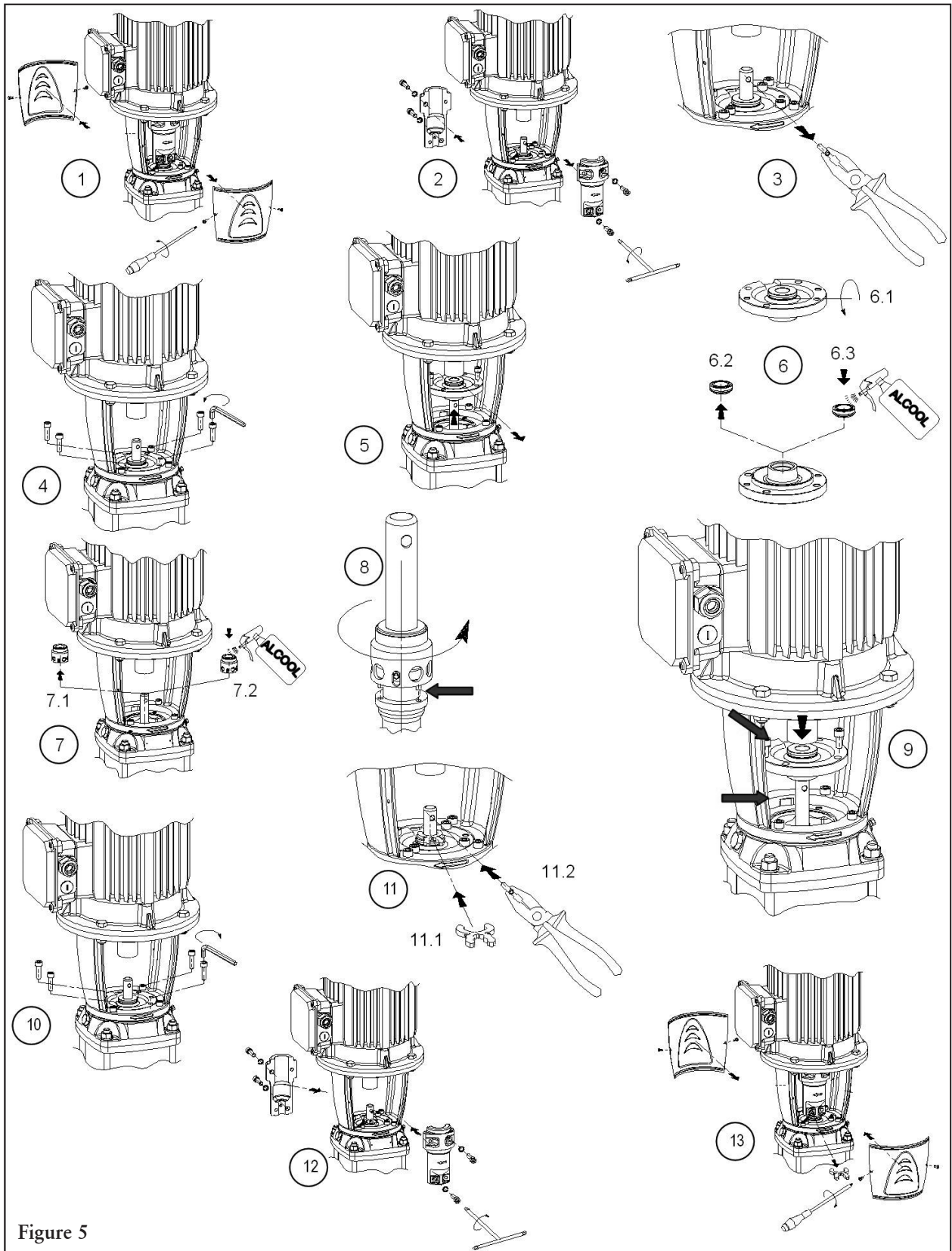


Figure 5

GUÍA DE RESOLUCIÓN DE PROBLEMAS



DESCONECTE Y BLOQUEE LA ENERGÍA ELÉCTRICA ANTES DE INTENTAR REALIZAR CUALQUIER TAREA DE MANTENIMIENTO. DE NO HACERLO, SE PUEDEN PROVOCAR DESCARGAS ELÉCTRICAS, QUEMADURAS O LA MUERTE.

SÍNTOMA

EL MOTOR NO FUNCIONA

Vea Causa probable: 1 a 5

FLUYE POCO O NINGÚN LÍQUIDO DE LA BOMBA

Vea Causa probable: 6 a 12

CONSUMO DE ENERGÍA DEMASIADO ALTO

Vea Causa probable: 3, 12, 13, 15

RUIDO Y VIBRACIÓN EXCESIVOS

Vea Causa probable: 3, 6-8, 10, 12, 13, 16

CAUSA PROBABLE

1. Saltó el protector térmico del motor.
2. Disyuntor abierto o fusible quemado.
3. Se pegan las turbinas.
4. Motor mal cableado.
5. Motor defectuoso.
6. La bomba no está cebada, hay aire o gas en el líquido.
7. Descarga o succión tapados, o válvula cerrada.
8. Rotación incorrecta (sólo trifásico).
9. Baja tensión o pérdida de fase.
10. Turbinas desgastadas o tapadas.
11. La carga del sistema es demasiado alta.
12. NSPHa demasiado baja: exceso de altura o pérdida de succión.
13. Altura de descarga demasiado baja: índice de flujo excesivo.
14. Viscosidad y gravedad específica del líquido demasiado altas.
15. Cojinete desgastado.
16. Bomba, motor o tubería flojos.

DATOS DE INGENIERÍA

VALORES DE TORQUE

HP	Perno del motor	Brida del adaptador	Acoplamiento		
			1-5SV	10-22SV	33-92SV
0,75-7,5 HP	20 lbs pie (27 N-m)	-	15 lbs pie (20 N-m)	40 lbs pie (54 N-m)	37 lbs pie (50 N-m)
10-75 HP	45 lbs pie (61 N-m)	48 lbs pie (65 N-m)*	15 lbs pie (20 N-m)	40 lbs pie (54 N-m)	48 lbs pie (65 N-m)

* La brida del adaptador de 213TC y 215TC usan 30 lbs pie (40 N-m)

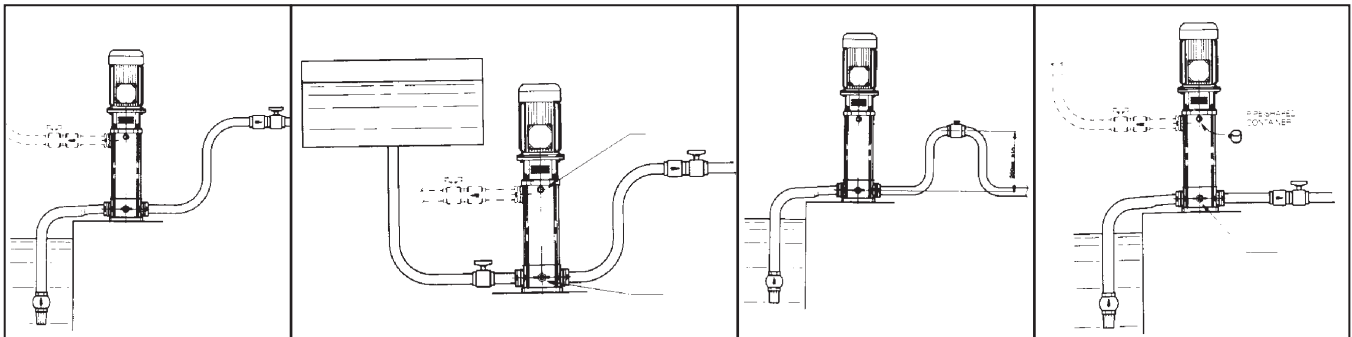
VALORES DE TORQUE

Tamaño de bomba	Tuercas de la barra de acoplamiento	Ventilación y drenaje
1-5SV	18 lbs pie (24 N-m)	18 lbs pie (24 N-m)
10-22SV	22 lbs pie (30 N-m)	18 lbs pie (24 N-m)
33-125SV	44 lbs pie (60 N-m)	30 lbs pie (41 N-m)

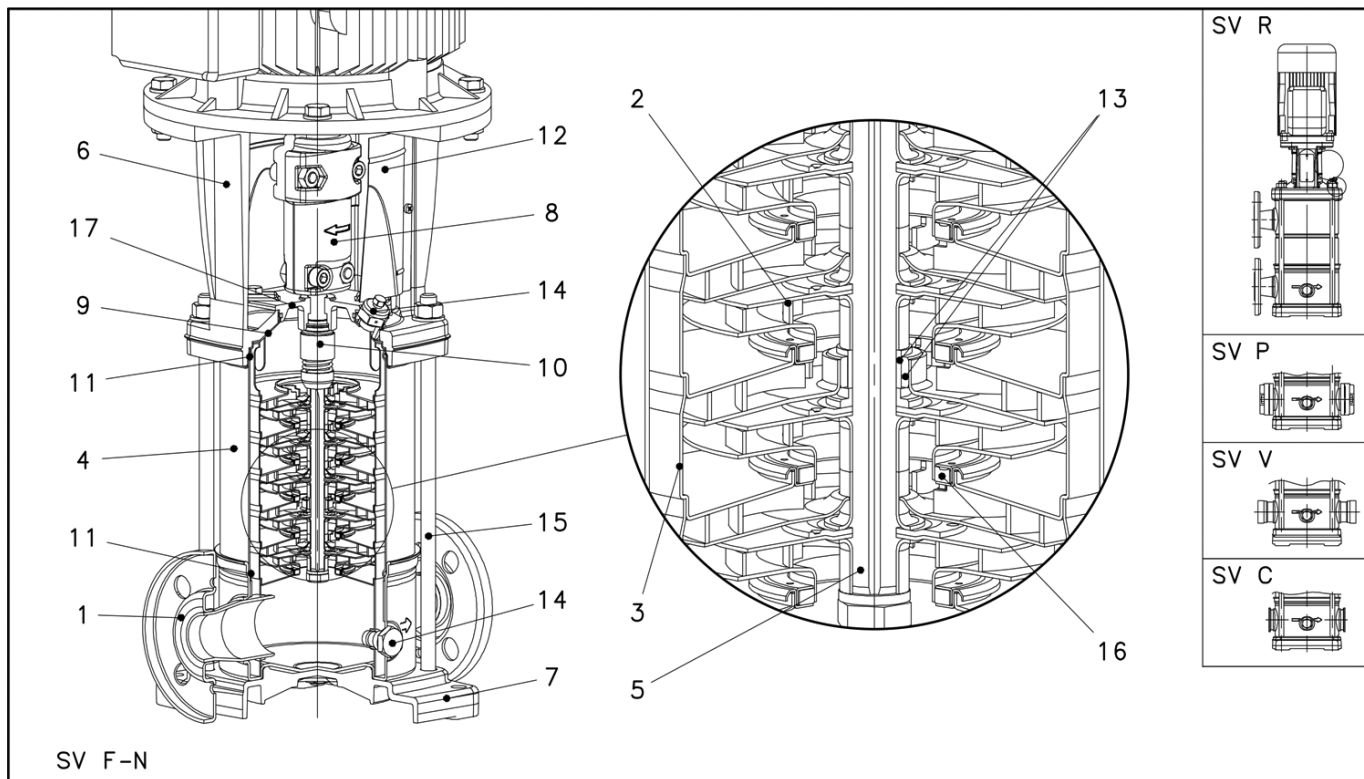
AGUJA DE VACÍO

Tamaño de bomba	
1-5SV	
10-22SV	7 lbs pie (9.5 N-m)
33-125SV	

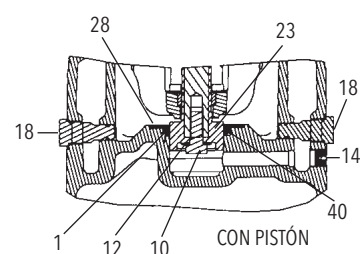
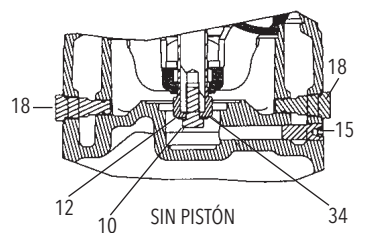
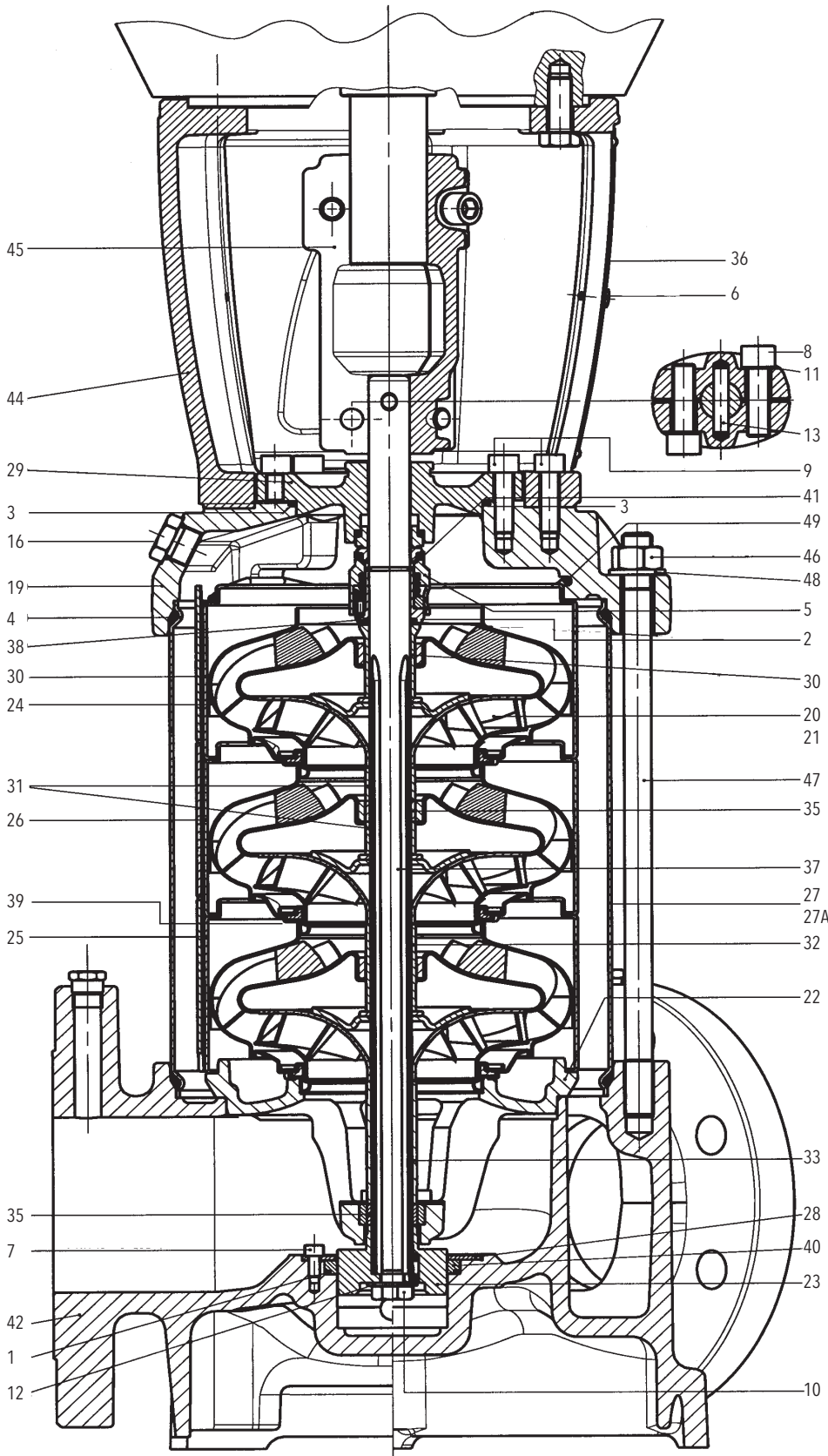
PLOMERÍA E INSTALACIÓN HABITUALES



NOTA: El bucle de descarga debe estar lo suficientemente alto para mantener el líquido en las etapas inferiores durante el apagado.

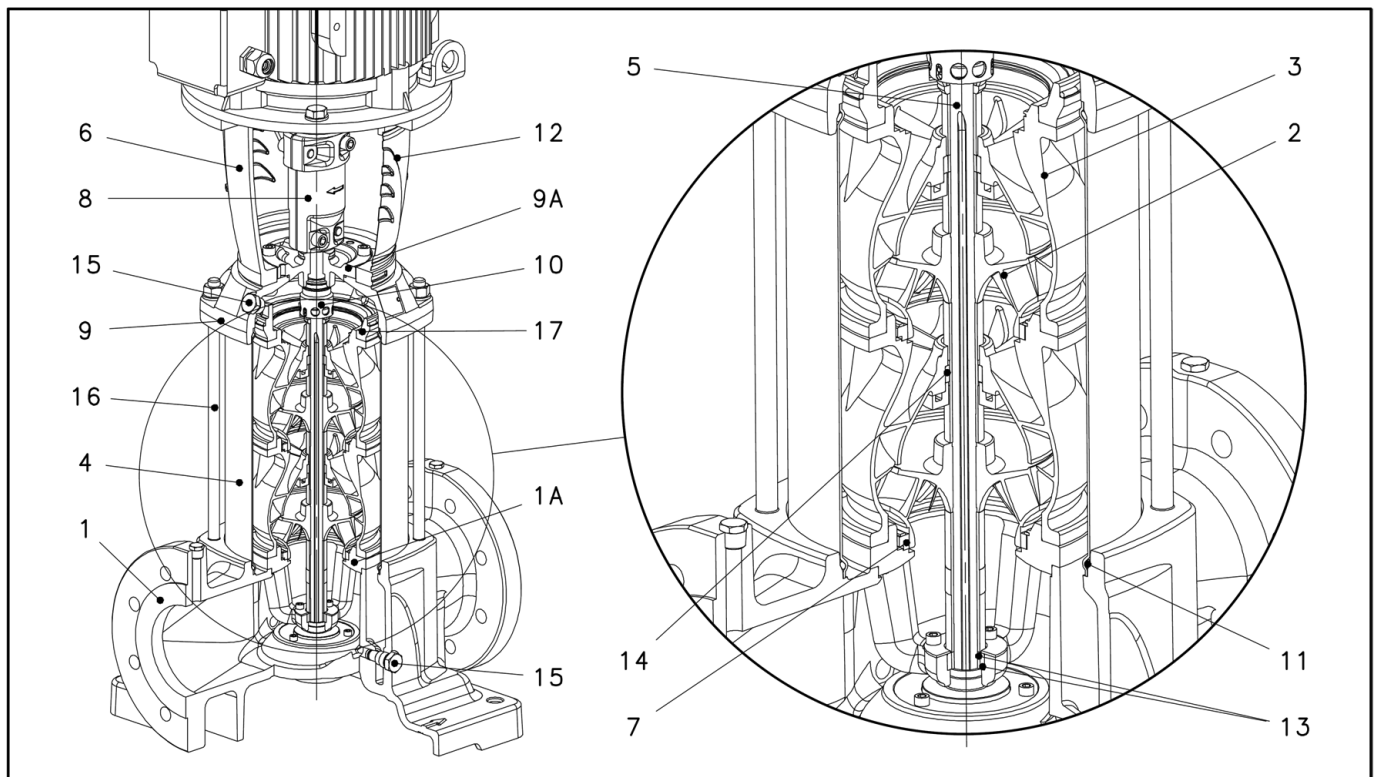


- 1 Cuerpo de la bomba
- 2 Turbina
- 3 Difusor
- 4 Carcasa
- 5 Eje
- 6 Adaptador
- 7 Base
- 8 Acoplamiento
- 9 Placa del sello
- 10 Sello mecánico
- 11 Elastómeros
- 12 Protector del acoplamiento
- 13 Manguito del eje y buje
- 14 Tapones de llenado/drenaje
- 15 Barras de acoplamiento
- 16 Anillo de desgaste
- 17 Prensaestopas del sello



- 1 Junta tórica, sello de pistón
- 2 Junta tórica, sello mecánico
- 3 Junta tórica, alojamiento del sello
- 4 Junta tórica, manguito
- 5 Sello mecánico
- 5A Sello de cartucho (no se muestra)
- 6 Tornillo, protector
- 7 Tornillo, disco de retención del pistón
- 8 Tornillo, acoplamiento
- 9 Tornillo, adaptador medio y alojamiento del sello
- 10 Tornillo, turbina
- 11 Arandela, acoplamiento
- 12 Arandela, turbina
- 13 Pasador, acoplamiento
- 14 Tapón, con pistón
- 15 Tapón, sin pistón
- 16 Tapón de llenado
- 17 Tapón de ventilación (no se muestra)
- 18 Tapón de drenaje
- 19 Carga de la bomba
- 20 Turbina, diámetro completo
- 21 Turbina, diámetro reducido
- 22 Montaje inferior de cojinetes
- 23 Pistón
- 24 Difusor, final
- 25 Difusor con buje de grafito
- 26 Difusor con buje de tungsteno
- 27 Manguito externo, 25 bar
- 27A Manguito externo, 40 bar
- 28 Disco de retención, sello de pistón
- 29 Alojamiento del sello
- 30 Espaciador, turbina final
- 31 Espaciador, buje del eje
- 32 Espaciador, turbina
- 33 Espaciador, turbina inferior (66-92SV)
- 34 Buje, sin pistón
- 35 Buje de carburo al tungsteno
- 36 Protector del acoplamiento
- 37 Eje
- 38 Manguito del eje del sello mecánico
- 39 Anillo de desgaste, turbina
- 40 Sello de pistón
- 41 Anillo de cierre, turbina
- 42 Cuerpo de la bomba
- 43 Placa del adaptador del motor (no se muestra)
- 44 Adaptador del motor
- 45 Acoplamiento, mitad
- 46 Tuerca, barra de acoplamiento
- 47 Barra de acoplamiento
- 48 Arandela, barra de acoplamiento
- 49 Resorte, difusor final

COMPONENTES PRINCIPALES DE 125SV



- 1 Cuerpo de la bomba
- 2 Turbina
- 3 Difusor
- 4 Carcasa
- 5 Eje
- 6 Adaptador
- 7 Anillo o del elastómero
- 8 Acoplamiento
- 9 Placa del sello
- 10 Sello mecánico
- 11 Elastómeros
- 12 Protector del acoplamiento
- 13 Manguito del eje y buje
- 14 Buje del eje
- 15 Tapones de llenado/drenaje
- 16 Barras de acoplamiento
- 17 Anillo o del elastómero

Acuerdo de Licencia de Software

AL UTILIZAR EL MONITOR DE ESTADO i-Alert™, USTED ACEPTA OBLIGARSE A LOS TÉRMINOS Y CONDICIONES DEL SIGUIENTE ACUERDO DE LICENCIA. POR FAVOR, LEA ESTE ACUERDO DETENIDAMENTE.

ITT Corporation y sus subsidiarias, afiliadas, ya sea en forma directa o a través de sus sublicenciatarias autorizadas ("ITT"), otorga uso no exclusivo de licencia para utilizar el software integrado en este dispositivo ("Software") en forma ejecutable binaria en la operación normal del monitor de estado i-Alert™ para controlar el estado de cualquier modelo de bomba de ITT Goulds Pumps, la Bomba Serie 1510 de Xylem Bell & Gossett y los modelos de bomba eSV de Xylem. La titularidad, los derechos de propiedad y derechos de propiedad intelectual relativos al Software siguen perteneciendo a ITT o sus terceros proveedores. Usted acepta que este acuerdo de licencia no necesita firmarse para surtir efecto.

Usted reconoce que este Software es propiedad de ITT y está protegido bajo las leyes de copyright de los Estados Unidos de América y tratados de copyright internacionales. Asimismo, usted reconoce que la estructura, organización y el código del Software son secretos comerciales valiosos de ITT y/o sus terceros proveedores y que el Software en forma de código fuente sigue siendo un secreto comercial valioso de ITT. Usted acepta no descompilar, desensamblar, modificar, realizar ensamblaje inverso, realizar ingeniería inversa o reducir el Software o cualquiera de sus partes a formato legible por seres humanos o crear cualquier obra derivada basada en el Software. Usted acepta no exportar o reexportar el Software a cualquier país en violación de las leyes de control de exportación de los Estados Unidos de América.

Declaración de Conformidad

Nosotros en
Xylem Inc./Goulds Water Technology
1 Goulds Drive
Auburn, NY 13021

Declaramos que los siguientes productos: NPE, MCS, MCC, 3656, 3656 SP, GB, e-SV, SVI, NPO, Prime Line SP, HB, HMS, LC, NPV, LB, LBS cumplen con las Directivas para Maquinarias 06/42/ECC. Este equipo ha sido diseñado para ser incorporado a la maquinaria cubierta por esta directiva pero no debe ponerse en funcionamiento hasta que se declare que la maquinaria en la que será incorporado cumple con las disposiciones reales de la directiva.

GARANTÍA COMERCIAL

Para los productos vendidos a compradores comerciales, el Vendedor garantiza que los productos vendidos al Comprador en virtud del presente (con excepción de membranas, sellos, juntas, materiales de elastómero, revestimientos y otras "partes de desgaste" o consumibles, que no se garantizan, con excepción de lo dispuesto por el contrario en la cotización o formulario de venta) (i) se construirán de acuerdo con las especificaciones referidas en la cotización o formulario de venta, si tales especificaciones se realizan expresamente como parte de este Acuerdo, y (ii) están libres de defectos en material y mano de obra por un período de un (1) año desde la fecha de instalación o doce (12) meses desde la fecha de envío (y tal fecha de envío no deberá ser posterior a dieciocho (18) meses posteriores a la recepción del aviso que los productos están listos para ser enviados), lo que ocurra primero, a menos que se especifique un período mayor en la documentación del producto (la "Garantía").

Con excepción de lo requerido por ley, el Vendedor, a su opción y sin costo alguno para el Comprador, reparará o reemplazará el producto que no se ajuste a la Garantía en tanto que el Comprador envíe un aviso escrito al Vendedor sobre todo defecto en material o mano de obra dentro de diez (10) días de la fecha en que aparecen por primera vez los defectos o no conformidades. Según la opción de reparación o reemplazo, el Vendedor no estará obligado a remover o pagar la remoción del producto defectuoso ni instalar o pagar la instalación del producto reemplazado o reparado y el Comprador será responsable de todos los demás costos, que incluyen, entre otros, los costos de servicio, aranceles y gastos de envío. El Vendedor tendrá la exclusiva facultad de decisión con respecto al método o medio de reparación o reemplazo. El incumplimiento del Comprador de las instrucciones de reparación o reemplazo del Vendedor rescindirá las obligaciones del Vendedor en virtud de esta Garantía y anulará esta Garantía. Toda pieza reparada o reemplazada en virtud de la Garantía es garantizada solo por el resto del período de garantía por las piezas reparadas o reemplazadas. El Vendedor no tendrá obligaciones de garantía frente al Comprador con respecto a ningún producto o pieza de un producto que haya sido: (a) reparado por terceros que no sean el Vendedor o sin la aprobación escrita del Vendedor; (b) sujeto a uso incorrecto, aplicación incorrecta, descuido, alteración, accidente o daño físico; (c) usado de forma contraria a las instrucciones del Vendedor para la instalación, operación y mantenimiento; (d) dañado por el uso y desgaste normal, corrosión o ataque químico; (e) dañado debido a condiciones anormales, vibración, falta de cebado correcto o funcionamiento sin flujo; (f) dañado debido a una fuente de alimentación defectuosa o protección eléctrica incorrecta; o (g) dañado debido al uso de equipos accesorios no vendidos o aprobados por el Vendedor. En el caso de productos no fabricados por el Vendedor, no hay garantía del Vendedor; sin embargo, el Vendedor extenderá al Comprador toda garantía recibida del proveedor del Vendedor de tales productos.

LA GARANTÍA ANTERIOR ES EXCLUSIVA Y REEMPLAZA TODA OTRA GARANTÍA, CONDICIÓN O TÉRMINO EXPRESO O IMPLÍCITO DE CUALQUIER NATURALEZA RELACIONADO CON LOS PRODUCTOS PROVISTOS EN VIRTUD DEL PRESENTE, INCLUYENDO, SIN CARÁCTER LIMITATIVO, LAS GARANTÍAS IMPLÍCITAS DE COMERCIALIZACIÓN E IDONEIDAD PARA UN PROPÓSITO EN PARTICULAR, QUE POR EL PRESENTE SE RECHAZAN Y EXCLUYEN EXPRESAMENTE. CON EXCEPCIÓN DE LO DISPUESTO POR LA LEY EN CONTRARIO, EL EXCLUSIVO REMEDIO DEL COMPRADOR Y LA RESPONSABILIDAD TOTAL DEL VENDEDOR POR EL INCUMPLIMIENTO DE ALGUNA DE LAS GARANTÍAS ANTERIORES SE LIMITA A REPARAR O REEMPLAZAR EL PRODUCTO Y EN TODO CASO SE LIMITARÁ AL IMPORTE PAGADO POR EL COMPRADOR POR EL PRODUCTO DEFECTUOSO. EN NINGÚN CASO EL VENDEDOR SERÁ RESPONSABLE POR OTRA FORMA DE DAÑOS, YA SEA DIRECTOS, INDIRECTOS, LIQUIDADOS, INCIDENTALS, RESULTANTES, PUNITIVOS, EJEMPLARES O ESPECIALES, INCLUYENDO, ENTRE OTROS, LA PÉRDIDA DE GANANCIAS, LA PÉRDIDA DE AHORROS ANTICIPADOS O GANANCIAS, LA PÉRDIDA DE INGRESOS, LA PÉRDIDA DEL NEGOCIO, LA PÉRDIDA DE PRODUCCIÓN, LA PÉRDIDA DE OPORTUNIDAD O LA PÉRDIDA DE REPUTACIÓN.



Xylem Inc.
2881 East Bayard Street Ext., Suite A
Seneca Falls, NY 13148
Teléfono: (866) 673-0445
Fax: (888) 322-5877
www.xylem.com/goulds

Goulds es una marca registrada de Goulds Pumps, Inc. y se utiliza bajo licencia.
© 2021 Xylem Inc. IM228 Révision Nombre 10 Febrero 2021



Modèle e-SV

DIRECTIVES D'INSTALLATION, D'UTILISATION ET D'ENTRETIEN

SUJET	PAGE
Gamme et codification des e-SV	46
Consignes de sécurité	50
Aperçu.....	50
Description des e-SV	50
Usages	50
Vérifications avant installation.....	50
Transport et entreposage	52
Installation	53
Mise en service	55
Utilisation.....	56
Entretien	57
Remplacement de la garniture mécanique (1SV à 125SV).....	57
Remplacement de la garniture mécanique à cartouche d'étanchéité (33SV à 125SV).....	57
Remplacement du moteur.....	58
Guide de dépannage.....	59
Données techniques.....	59
Plomberie et installations types.....	59
Dessins et principaux composants des e-SV	60 à 62
Garantie limitée.....	64

Informations pour le propriétaire

Numéro de modèle de la pompe : _____

Numéro de série de la pompe : _____

N° de modèle de la commande : _____

Détaillant : _____

N° de téléphone du détaillant : _____

Date d'achat : _____ d'installation : _____

Courant mesuré au démarrage :

1 Ø	3 Ø	L1 et 2	L2 et 3	L3 et 1
A: _____	A: _____	_____	_____	_____
V: _____	V: _____	_____	_____	_____

Gamme de produits e-SV

Codification des 1SV à 22SV – pompes seulement

Chaque version de l'e-SV est désignée par un code de produit, inscrit sur la plaque signalétique de la pompe. Définis ci-dessous, les caractères du code constituent le numéro d'article (catalogue) de la pompe. **Nota** : certaines combinaisons de caractères sont impossibles.

Exemple de code de produit

22 SV 0 2 F E 3 0

Versions spéciales (caractères en option)

F = étages sans roue – 1 étage
 G = étages sans roue – 2 étages
 H = montage horizontal seulement
 J = montage horizontal + passivation
 K = montage horizontal + faible hauteur nette d'aspiration

L = montage horizontal + haute pression
 N = faible hauteur nette d'aspiration seulement
 P = passivation seulement
 S = Configuration personnalisée
 Z = haute pression seulement

Matériaux de la garniture mécanique

0 = carbone, carbure de silicium, Viton (standard)
 1 = carbone, carbure de silicium, élastomère fluoré Aflas (hautes températures)
 2 = carbure de silicium, carbure de silicium, Viton
 4 = carbure de silicium, carbure de silicium, caoutchouc éthylène-propylène
 6 = carbone, carbure de silicium, caoutchouc éthylène-propylène

Pôles • Hz

1 = 2 • 50 3 = 2 • 60
 2 = 4 • 50 4 = 4 • 60

Carcasse de moteur (NEMA)

A = 56C E = 280TC
 B = 180TC F = 320TSC
 C = 210TC G = 360TSC
 D = 250TC H = 140TC

Types de raccords

C = coquilles serre-raccords, inox 316
 F = brides rondes, inox 304 (SVB)
 G = brides rondes, fonte ou inox 304
 N = brides rondes, inox 316 (SVD)
 P = raccords Victaulic, inox 316
 T = raccords ovales, inox 304 (SVA)

Orifices d'aspiration et de refoulement (position horaire)

R = fonte et inox 304	(SVC), aspir. (12 h), refoul. (12 h)
W = fonte et inox 304	(SVC), aspir. (12 h), refoul. (3 h)
X = fonte et inox 304	(SVC), aspir. (12 h), refoul. (6 h)
Y = fonte et inox 304	(SVC), aspir. (12 h), refoul. (9 h)

Nombre d'étages munis d'une roue (1 ou 2 caractères)

Gamme de produits

SV = pompe verticale en inox

Débit nominal

1 = 5 gal US/min 10 = 53 gal US/min
 3 = 16 gal US/min 15 = 80 gal US/min
 5 = 26 gal US/min 22 = 116 gal US/min

Gamme de produits e-SV

Codification des 33SV à 125SV – pompes seulement

Chaque version de l'e-SV est désignée par un code de produit, inscrit sur la plaque signalétique de la pompe. Définis ci-dessous, les caractères du code constituent le numéro d'article (catalogue) de la pompe. **Nota** : certaines combinaisons de caractères sont impossibles.

Exemple de code de produit

125 SV 8 1 2 B F E 2 0

Versions spéciales (caractères en option)

- F = étages sans roue – 1 étage
- G = étages sans roue – 2 étages
- H = montage horizontal seulement
- J = montage horizontal + passivation
- K = montage horizontal + faible hauteur nette d'aspiration (33, 46 et 66SV)
- L = montage horizontal + haute pression
- N = faible hauteur nette d'aspiration seulement (33, 46 et 66SV)
- P = passivation seulement
- S = Configuration personnalisée
- Z = haute pression (tubulure de pompe 250# ou 300#)
- V12 = Hydrovar Package 1Ø, 230V input
- V32 = Hydrovar Package 3Ø, 230V input
- V34 = Hydrovar Package 3Ø, 460V input

Matériaux de la garniture mécanique

- 0 = carbone, carbure de silicium, Viton
- 2 = carbure de silicium, carbure de silicium, Viton
- 4 = carbure de silicium, carbure de silicium, caoutchouc éthylène-propylène
- 6 = carbone, carbure de silicium, caoutchouc éthylène-propylène
- 7 = carbone, carbure de silicium, Viton (cartouche)
- 8 = carbure de silicium, carbure de silicium, caoutchouc éthylène-propylène (cartouche)

Pôles • Hz

- 1 = 2 • 50 3 = 2 • 60
- 2 = 4 • 50 4 = 4 • 60

Carcasse de moteur (NEMA)

- A = 56C D = 250TC G = 360TSC
- B = 180TC E = 280TC H = 140TC
- C = 210TC F = 320TSC

Types de raccords

- G = brides rondes, fonte ou inox 304
- N = brides rondes, inox 316

125SV SEULEMENT

- Diamètre réduit de la roue** A = 141 mm B = 136 mm C = 145 mm (diam. max.)
- Laissé en blanc pour 33 à 92SV**

Nombre de roues de diamètre réduit (0, 1, 2)

Nombre d'étages munis d'une roue

Gamme de produits

- SV = pompe verticale en inox

Débit nominal

- 33 = 175 gal US/min
- 46 = 240 gal US/min
- 66 = 350 gal US/min
- 92 = 485 gal US/min
- 125 = 660 gal US/min

Gamme de produits e-SV

Codification des 1SV à 22SV – combinaison pompe-moteur

Chaque version de l'e-SV est désignée par un code de produit, inscrit sur la plaque signalétique de la pompe. Définis ci-dessous, les caractères du code constituent le numéro d'article (catalogue) de la pompe. **Nota** : certaines combinaisons de caractères sont impossibles.

Exemple de code de produit

22 SV 2 2 F A 2 F 5 1 A H

Versions spéciales (1 ou 2 caractères)

F = étages sans roue – 1 étage
 G = étages sans roue – 2 étages
 H = montage horizontal seulement
 J = montage horizontal + passivation
 K = montage horizontal + faible hauteur nette d'aspiration
 L = montage horizontal + haute pression
 N = faible hauteur nette d'aspiration seulement
 P = passivation seulement
 S = Configuration personnalisée
 Z = haute pression (tubulure de pompe 250# ou 300#)
 V12 = Hydrovar Package 1Ø, 230V input
 V32 = Hydrovar Package 3Ø, 230V input
 V34 = Hydrovar Package 3Ø, 460V input

Matériaux de la garniture mécanique

0 = carbone, carbure de silicium, Viton
 1 = carbone, carbure de silicium, élastomère fluoré Aflas (hautes températures)
 2 = carbure de silicium, carbure de silicium, Viton
 4 = carbure de silicium, carbure de silicium, caoutchouc éthylène-propylène
 6 = carbone, carbure de silicium, caoutchouc éthylène-propylène

Carcasse de moteur

1 = abritée (à ouvertures de ventilation protégées, ODP) 7 = rendement supérieur, antidéflagrante (X-Proof, XP)
 2 = fermée autoventilée (TEFC) 8 = rendement supérieur, lavage
 3 = antidéflagrante (X-Proof, XP) 9 = milieu marin
 4 = lavage, climat tropical A = produits chimiques
 5 = rendement supérieur, abritée (ODP) B = rendement supérieur, produits chimiques
 6 = rendement supérieur, fermée autoventilée (TEFC) C = Classe 1 Div 2

Tension (volts)

A = 115 à 230	H = 190 ou 380	R = 220
B = 230	J = 115 ou 208 à 230	S = 415
C = 230 à 460	K = 208	T = 220 ou 380, montage en étoile
D = 460	L = 208 à 230	U = 380 à 660, montage en étoile
E = 575	M = 190, 380 ou 415	V = 208 à 230 ou 460, montage en étoile
F = 208 à 230 ou 460	N = 380	
G = 200	P = 110 ou 220	

Pôles • Hz • phases (Ø)

1 = 2 • 50 • 1	4 = 2 • 60 • 3	7 = 4 • 60 • 1
2 = 2 • 50 • 3	5 = 4 • 50 • 1	8 = 4 • 60 • 3
3 = 2 • 60 • 1	6 = 4 • 50 • 3	

Puissance (hp) nominale

A = 0,5	E = 2	J = 10	N = 30
B = 0,75	F = 3	K = 15	P = 40
C = 1	G = 5	L = 20	
D = 1,5	H = 7,5	M = 25	

Types de raccords

C = coquilles serre-raccords, inox 316
 F = brides rondes, inox 304 (SVB)
 G = brides rondes, fonte ou inox 304
 N = brides rondes, inox 316 (SVD)
 P = raccords Victaulic, inox 316
 T = raccords ovales, inox 304 (SVA)

Orifices d'aspiration et de refoulement (position horaire)

R = fonte et inox 304	(SVC), aspir. (12 h), refoul. (12 h)
W = fonte et inox 304	(SVC), aspir. (12 h), refoul. (3 h)
X = fonte et inox 304	(SVC), aspir. (12 h), refoul. (6 h)
Y = fonte et inox 304	(SVC), aspir. (12 h), refoul. (9 h)

Nombre d'étages munis d'une roue (1 ou 2 caractères)

Gamme de produits

SV = pompe verticale en inox

Débit nominal

1 = 5 gal US/min	10 = 53 gal US/min
3 = 16 gal US/min	15 = 80 gal US/min
5 = 26 gal US/min	22 = 116 gal US/min

Gamme de produits e-SV

Codification des 33SV à 125SV – combinaison pompe-moteur

Chaque version de l'e-SV est désignée par un code de produit, inscrit sur la plaque signalétique de la pompe. Définis ci-dessous, les caractères du code constituent le numéro d'article (catalogue) de la pompe. **Nota** : certaines combinaisons de caractères sont impossibles.

Exemple de code de produit

125 SV 8 2 A G K 3 F 2 0

Versions spéciales (1 ou 2 caractères)

H = montage horizontal seulement
 J = montage horizontal + passivation
 K = montage horizontal + faible hauteur nette d'aspiration (33, 46 et 66SV)
 L = montage horizontal + haute pression
 N = faible hauteur nette d'aspiration seulement (33, 46 et 66SV)
 P = passivation seulement
 S = Configuration personnalisée
 Z = haute pression (tubulure de pompe 250# ou 300#)

Matériaux de la garniture mécanique

0 = carbone, carbure de silicium, Viton
 2 = carbure de silicium, carbure de silicium, Viton
 4 = carbure de silicium, carbure de silicium, caoutchouc éthylène-propylène
 6 = carbone, carbure de silicium, caoutchouc éthylène-propylène
 7 = carbone, carbure de silicium, Viton (cartouche)
 8 = carbure de silicium, carbure de silicium, caoutchouc éthylène-propylène (cartouche)

Carcasse de moteur

1 = abritée (à ouvertures de ventilation protégées, ODP)
 2 = fermée autoventilée (TEFC)
 3 = antidéflagrante (X-Proof, XP)
 4 = lavage, climat tropical
 5 = rendement supérieur, abritée (ODP)
 6 = rendement supérieur, fermée autoventilée (TEFC)
 7 = rendement supérieur, antidéflagrante (X-Proof, XP)
 8 = rendement supérieur, lavage
 9 = milieu marin
 A = produits chimiques
 B = rendement supérieur, produits chimiques
 C = Classe 1 Div 2

Tension (volts)

A = 115 / 230
 B = 230
 C = 230 / 460
 D = 460
 E = 575
 F = 208 à 230 ou 460
 G = 200
 H = 190 ou 380
 J = 115 ou 208 à 230
 K = 208
 L = 208 à 230
 M = 190, 380 ou 415
 N = 380
 P = 110 ou 220
 R = 220
 S = 415
 T = 220 ou 380, montage en étoile
 U = 380 à 660, montage en étoile
 V = 208 à 230 ou 460, montage en étoile

Pôles • Hz • phases (Ø)

1 = 2 • 50 • 1
 2 = 2 • 50 • 3
 3 = 2 • 60 • 1
 4 = 2 • 60 • 3
 5 = 4 • 50 • 1
 6 = 4 • 50 • 3
 7 = 4 • 60 • 1
 8 = 4 • 60 • 3

Puissance (hp) nominale

A = 0,5
 B = 0,75
 C = 1
 D = 1,5
 E = 2
 F = 3
 G = 5
 H = 7,5
 J = 10
 K = 15
 L = 20
 M = 25
 N = 30
 P = 40
 R = 50
 S = 60
 T = 75
 U = 100

Types de raccords

G = brides rondes, fonte ou inox 304
 N = brides rondes, inox 316

125SV SEULEMENT

Diamètre réduit de la roue A = 141 mm B = 136 mm C = 145 mm (diam. max.)
Laissé en blanc pour 33 à 92SV

Nombre de roues de diamètre réduit (0, 1, 2)

Nombre d'étages munis d'une roue (1 ou 2 caractères)

Gamme de produits

SV - pompe verticale en inox

Débit nominal

33 = 175 gal US/min
 46 = 240 gal US/min
 66 = 350 gal US/min
 92 = 485 gal US/min
 125 = 660 gal US/min

CONSIGNES DE SÉCURITÉ

AFIN DE PRÉVENIR LES BLESSURES GRAVES OU MORTELLES ET LES DOMMAGES MATÉRIELS IMPORTANTS, LIRE ET SUIVRE TOUTES LES CONSIGNES DE SÉCURITÉ FIGURANT DANS LE MANUEL ET SUR LA POMPE.

LE PRÉSENT MANUEL A POUR BUT DE FACILITER L'INSTALLATION ET L'UTILISATION DE LA POMPE ET DOIT RESTER PRÈS DE CELLE-CI.



Le symbole ci-contre est un **SYMBOLE DE SÉCURITÉ** employé pour signaler les mots-indicateurs dont on trouvera la description ci-dessous. Sa présence sert à attirer l'attention afin d'éviter les blessures et les dommages matériels.



DANGER Prévient des risques qui **VONT** causer des blessures graves, la mort ou des dommages matériels importants.



AVERTISSEMENT Prévient des risques qui **PEUVENT** causer des blessures graves, la mort ou des dommages matériels importants.



ATTENTION Prévient des risques qui **PEUVENT** causer des blessures ou des dommages matériels.

AVIS : SERT À ÉNONCER LES DIRECTIVES SPÉCIALES DE GRANDE IMPORTANCE QUE L'ON DOIT SUIVRE.

LIRE SOIGNEUSEMENT CHAQUE DIRECTIVE ET AVERTISSEMENT AVANT D'EFFECTUER TOUT TRAVAIL SUR LA POMPE.

N'ENLEVER AUCUN AUTOCOLLANT DE SÉCURITÉ.



Ce produit peut vous exposer à des produits chimiques, incluant le plomb, reconnus par l'État de la Californie comme pouvant être cancérogènes, causer des anomalies congénitales ou d'autres problèmes de reproduction. Pour plus d'informations : www.P65Warnings.ca.gov.



APPAREIL NON CONÇU POUR LES LIQUIDES DANGEREUX NI POUR LES GAZ INFLAMMABLES. CES FLUIDES POURRAIENT ÊTRE PRÉSENTS DANS LES INSTALLATIONS DE CONFINEMENT (PUITS COLLECTEURS).

APERÇU

L'objet du présent manuel est de fournir les informations nécessaires pour bien installer, utiliser et entretenir la pompe e-SV. Les directives et les avertissements ci-après visent la version e-SV standard, telle qu'elle est décrite dans la documentation de vente. Les versions spéciales, dont les caractéristiques sont énoncées dans le contrat de vente, peuvent être accompagnées de directives additionnelles. Pour obtenir des informations techniques ou des pièces de rechange du service ventes et après-vente, on doit toujours préciser le type de pompe et son code d'identification (numéro d'article). On communiquera avec le distributeur pour toute directive ou situation ne figurant pas dans le présent manuel ni dans la documentation de vente.



Lire le présent document avant d'installer et d'utiliser le produit. Un usage inapproprié peut causer des blessures et des dommages matériels et entraîner la déchéance de la garantie.

DESCRIPTION DES E-SV

Les e-SV sont des pompes verticales, multi-étagées, non autoamorçantes, fixables à un moteur électrique standard. Dans le cas de la série 1SV à 22SV, certaines pièces métalliques en contact avec le liquide pompé sont en inox ou en fonte. La série est offerte en différentes versions, selon la position et la forme des raccords d'aspiration et de refoulement. Quant à la série 33SV à 125SV, certaines pièces en contact avec le liquide pompé sont en inox ou en fonte, mais elles sont toutes en inox dans une version spéciale. Si l'on achète uniquement la pompe, s'assurer que le moteur utilisé pourra être monté sur la pompe. La série e-SV est munie d'une garniture mécanique spéciale conçue pour être remplacée facilement sans avoir à démonter la pompe.

USAGES

Les e-SV conviennent aux réseaux de distribution d'eau publics et industriels, aux systèmes de surpression, d'irrigation (installations agricoles et sportives), de traitement d'eau, d'alimentation de chaudières, de lavage de pièces, de lutte contre l'incendie, ainsi qu'aux systèmes de chauffage, ventilation et climatisation. L'usine peut pouvoir configurer certains modèles pour les liquides de pompage ayant des caractéristiques atypiques de l'eau et/ou d'eau usagée (par exemple, acide, de base, produit pétrochimique ou tous autres liquides, etc. non aqueux). Une telle utilisation de spécialité exige la consultation avec l'usine et le personnel d'ingénierie pour une évaluation spécifique à l'application détaillée.

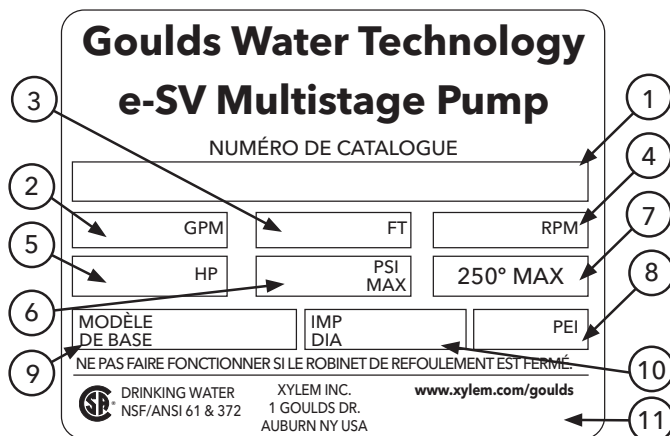
1. PLAQUE SIGNALÉTIQUE



Ne pas employer la pompe ni l'électropompe pour les liquides inflammables ou explosifs.



Ne pas utiliser la pompe pour les liquides contenant des matières abrasives, solides ou fibreuses.



1	Numéro d'article de Goulds Water Technology
2	Plage de débit (gal US/min)
3	Plage de hauteur manométrique totale (pi)
4	Vitesse de rotation nominale (r/min)
5	Puissance nominale (hp)
6	Pression de service maximale
7	Température de service maximale
8	Indice d'efficacité de la pompe
9	Numéro du modèle de base
10	Diamètre de la roue
11	Numéro de série de la pompe

VÉRIFICATIONS AVANT INSTALLATION

Confirmer que la pompe convient aux conditions de service prévues.

1. PRESSION D'ASPIRATION MINIMALE

En général, la pression d'aspiration minimale requise égale la hauteur nette d'aspiration disponible (NPSHA) suffisant à alimenter la pompe. La hauteur nette d'aspiration requise (NPSHR) est indiquée dans les courbes de performances de la pompe au point de fonctionnement déterminé. Une NPSHA dépassant la NPSHR d'au moins deux (2) pieds est recommandée comme marge de sécurité pour maintenir des performances durables et constantes de l'e-SV.

$$\text{Pression d'aspir. min.} = \text{NPSHR} + 2 \text{ pi}$$

NOTA : ON DOIT CALCULER LA NPSHA POUR LE SYSTÈME À DOTER DE L'E-SV. POUR TOUTE ASSISTANCE, S'ADRESSER AU DÉTAILLANT OU AU DISTRIBUTEUR.

2. ASPIRATION

Une pompe pourrait en théorie aspirer l'eau d'une source située à 10,33 m plus bas, mais ce n'est pas possible à cause de la résistance intrinsèque de la pompe à l'écoulement. De plus, le pouvoir d'aspiration est réduit par le frottement dans la tuyauterie, la différence de hauteur, la température du liquide et l'altitude par rapport au niveau de la mer.

Un mauvais choix d'emplacement en hauteur de la pompe pourrait causer de la cavitation.

Dans la figure ci-dessous, si Z est la hauteur maximale d'installation de la pompe par rapport au niveau de la source de liquide, on peut affirmer ce qui suit.

En unités SI :

$$Z = P_b \times 10,2 - \text{NPSHR} - H_f - H_v - 1,5$$

P_b = pression barométrique absolue (bar x 100 = kPa)

NPSHR = NPSH requise (m) par la pompe

H_f = pertes (m) dans le tuyau d'aspiration

H_v = tension de vapeur (m) à la temp. de serv. (°C)

1,5 = facteur de sécurité de 1,5 m

En unités impériales :

$$Z = P_b - \text{NPSHR} - H_f - H_v - 1,5$$

P_b = pression barométrique absolue (pi)

NPSHR = NPSH requise (pi) par la pompe

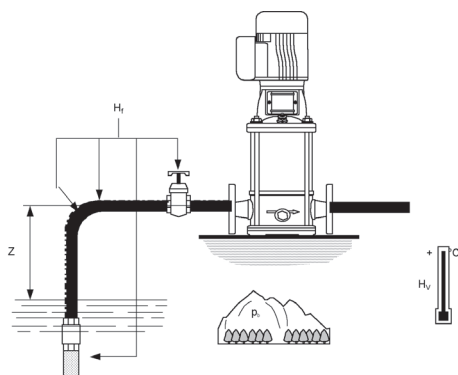
H_f = pertes (pi) dans le tuyau d'aspiration

H_v = tension de vapeur (pi) à la temp. de serv. (°F)

1,5 = facteur de sécurité de 1,5 pi

La double formule ci-dessus permet d'affirmer que :

Si $Z \geq 0$, la pompe pourra fonctionner avec une hauteur d'aspiration minimale égale à Z.



Temp.	H_v		
	°C	°F	
20	68	0,23	0,75
30	86	0,43	1,41
40	104	0,75	2,46
50	122	1,26	4,13
60	140	2,03	6,66
70	158	3,18	10,43
80	176	4,83	15,84
90	194	7,15	23,45
100	212	10,34	33,92
110	230	14,61	47,92
120	248	20,27	66,49

Si $Z < 0$, la pompe devra avoir une pression d'aspiration inférieure à Z.

AVERTISSEMENT S'il y a cavitation, arrêter la pompe pour ne pas en endommager les composants internes.

AVERTISSEMENT Pour le pompage d'eau chaude, s'assurer que les conditions d'aspiration conviennent pour prévenir la cavitation.

AVERTISSEMENT S'assurer que la somme de la pression d'aspiration (système d'alimentation en eau, réservoir en charge [par gravité]) et de la pression de refoulement maximale de la pompe ne dépasse pas la pression de service maximale admissible (pression nominale, PN) de la pompe.

3. PRESSION D'ASPIRATION MAX. À 60 HZ

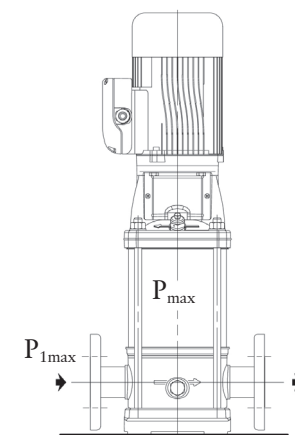
$$P_{1\max} \leq P_N - P_{\max}$$

P_{\max} = pression de refoulement max. de la pompe

$P_{1\max}$ = pression d'aspiration maximale

P_N = pression de service nominale maximale

Pour le moteur à arbre standard (à serrage axial), vérifier si le résultat de la formule précitée convient. Si non, s'adresser au service ventes et après-vente (Sales and Service Department).



La table qui suit donne la pression d'aspiration maximale permmissible, mais la pression d'aspiration réelle + la pression de marche à débit nul doivent être moindres que la pression de service maximale permmissible.

Pompe	Étages	$P_{1\max}$ (lbf/po ²)	Pompe	Étages/RDR*	$P_{1\max}$ (lbf/po ²)
1SV	2 à 5	145	33SV	1/1 ou 2/2	45
	6 à 10	218		2/1 à 5/2	145
	11 à 30	$P_N - P_{\max}$		5/1 à 7/2	218
3SV	2 ou 3	145	46SV	7/1 à 10	$P_N - P_{\max}$
	4 à 7	218		1/1 ou 1*	145
	8 à 30	$P_N - P_{\max}$		2/2 ou 2*	218
5SV	2 ou 3	145	66SV	3/2 ou 4/1	290
	4 à 6	290		4 à 10/2	$P_N - P_{\max}$
	7 à 27	$P_N - P_{\max}$		1/1 à 3/2	72
10SV	1 ou 2	145	92SV	3/1 ou 4/1	145
	3 à 5	290		4 ou 5/1	218
	6 à 20	$P_N - P_{\max}$		5 ou 6	$P_N - P_{\max}$
15SV	1 ou 2	145	125SV	1/1 ou 2/2	72
	3	290		2/1 ou 3/2	145
	4 à 15	$P_N - P_{\max}$		3/1 ou 3*	218
22SV	1 ou 2	145		4/2 ou 5/1	$P_N - P_{\max}$
	3	290		1 à 3/3B*	290
	4 à 12	$P_N - P_{\max}$		3 à 5/5A*	$P_N - P_{\max}$

* RDR = roue(s) de diamètre réduit, 1/1 ou 1 = 1 étage à RDR ou sans RDR, 2/2 ou 2 = 2 étages à 2 RDR ou sans RDR, 3/1 ou 3 = 3 étages à 1 RDR ou sans RDR, 3B = 3 RDR à 136 mm, 5A = 5 RDR à 141 mm.

4. PRESSION DE SERVICE MAXIMALE

(à 3 500 r/min)

Pompe	Étages	kPa (lbf/po ²)
1SV	1 à 29	2 500 (363)
	30	4 000 (580)
3SV	1 à 23	2 500 (363)
	24 à 30	4 000 (580)
5SV	1 à 23	2 500 (363)
	24 à 27	4 000 (580)
10SV	1 à 14	2 500 (363)
	15 à 20	4 000 (580)
15SV	1 à 11	2 500 (363)
	12 à 15	4 000 (580)
22SV	1 à 11	2 500 (363)
	12	4 000 (580)
33SV	1 à 6	2 500 (363)
	7 à 10	4 000 (580)
46SV	1 à 5	2 500 (363)
	6 à 10	4 000 (580)
66SV	1 à 5	2 500 (363)
	6	4 000 (580)
92SV	1 à 5	2 500 (363)
125SV	1 à 6	2 500 (363)

NOTA : la pression de service maximale pour les raccords ovales des 1SV à 22SV est de 1 600 kPa (232 lbf/po²).

5. PLAGE DE TEMPÉRATURE

L'e-SV peut pomper des liquides dont la température se situe dans la plage pertinente ci-après :

Garniture mécanique standard

1SV à 125SV – 30 à 120°C (– 22 à 250°F)

Garniture mécanique pour hautes températures

1SV à 22SV – 30 à 149°C (– 22 à 300°F)

33SV à 125SV sans objet

NOTA : pour que le moteur électrique puisse bien se refroidir, la température ambiante doit se situer entre 32 et 104°F, à une humidité relative maximale de 50 % à 104°F.

Si la température excède 104°F et que l'installation soit à une altitude supérieure à 3 000 pi par rapport au niveau de la mer, il faudra peut-être réduire la puissance de la pompe. Au besoin, joindre le distributeur ou le détaillant.

6. DÉBIT NOMINAL MINIMAL

Pour prévenir la surchauffe des composants de pompe internes, s'assurer que la pompe fournira toujours un débit minimal.

Le débit minimal pertinent ci-dessous est recommandé pour les e-SV fonctionnant sans arrêt.

Pompe	Débit minimal (gal US/min)			
	3 500 r/min	1 750 r/min	2 900 r/min	1 450 r/min
1SV	2	1	2	1
3SV	3	2	3	2
5SV	7	4	6	3
10SV	9	5	8	4
15SV	18	9	15	7
22SV	21	11	18	9
33SV	35	18	8	4
46SV	40	20	10	5
66SV	70	35	14	7
92SV	100	50	20	10
125SV	128	64	106	53

NOTA : une conduite de dérivation ou de recirculation est recommandée si le débit nominal minimal ne peut être maintenu.



Ne pas faire marcher la pompe durant plus de quelques secondes si le robinet de refoulement est fermé.

7. NOMBRE DE DÉMARRAGES PAR HEURE

Si le moteur de la pompe est fourni par Goulds Water Technology, le nombre maximal de cycles de travail (démarrages et arrêts) par heure est le suivant.

hp	Démarrages/h (max.)*	Durée de marche min. (en s) après démarrage
0,5	24	120
0,75	24	120
1	15	75
1,5	13	76
2	12	77
3	9	30
5	8	83
7,5	7	88
10	6	92
15	5	100
20	5	110
25	5	115
30	4	120
40	4	130
50	3	145
60	3	170
75	3	180

* Pour plus de détails, voir le manuel technique.



Si Goulds Water Technology n'a pas fourni le moteur, en consulter le fabricant pour le nombre maximal de cycles de travail permis.

8. ALIMENTATION ÉLECTRIQUE



S'assurer que le courant d'alimentation est conforme aux valeurs de fréquence et de tension sur la plaque signalétique du moteur.

En général, la tension d'alimentation du moteur est conforme à la valeur pertinente ci-après.

Hz	Ø	Différence de potentiel nomin.	
		V	± %
60	1	230	10
60	3	230 et 460	10
60	3	460	10

TRANSPORT ET ENTREPOSAGE

1. TRANSPORT ET MANUTENTION DU PRODUIT EMBALLÉ

L'e-SV est emballée dans des caisses en carton ou en bois de dimensions et de formes différentes.



Certaines caisses en carton dont la base est en bois sont conçues pour être transportées et manutentionnées à la verticale, et d'autres, y compris les caisses en bois, à l'horizontale. Garder le produit loin des sources de chaleur et le protéger contre l'humidité et les chocs. Ne pas déposer d'objets lourds sur les caisses en carton.



Lever et manutentionner le produit soigneusement avec le matériel de levage approprié. Observer tout règlement de prévention des accidents.

Dès réception de la pompe, vérifier si l'emballage est endommagé. Si le produit a visiblement subi des dommages, en aviser le distributeur dans les huit (8) jours suivant la date de livraison.

2. ENTREPOSAGE DU PRODUIT EMBALLÉ

Température d'entreposage : 32 à 104°F.

Entreposage court (moins de six mois) — l'emballage normal de Goulds Water Technology est conçu pour protéger la pompe durant son expédition. Dès réception de l'appareil, l'entreposer en un endroit sec et abrité.

Entreposage long (six mois et plus) — aux trois mois, faire tourner l'arbre plusieurs fois. Pour le long entreposage de l'accouplement et de la machine d'entraînement, en consulter le fabricant. Entreposer l'appareil en un endroit sec et abrité.

3. DÉBALLAGE DU PRODUIT



Employer le matériel approprié. Observer tout règlement de prévention des accidents en vigueur. Lever et manutentionner le produit soigneusement avec le matériel de levage approprié.

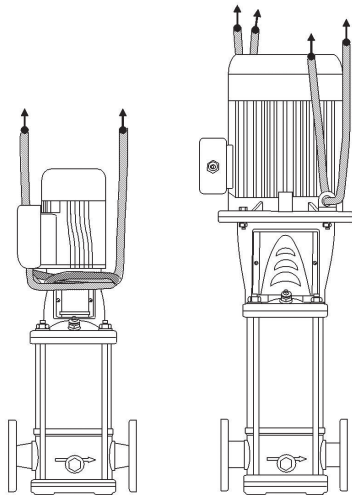
Dès réception de la pompe, vérifier si l'emballage est endommagé. Si le produit a visiblement subi des dommages, en aviser le distributeur dans les huit (8) jours suivant la date de livraison.

4. MANUTENTION DU PRODUIT



Lever et manutentionner le produit soigneusement avec le matériel de levage approprié. Observer tout règlement de prévention des accidents en vigueur.

Le produit doit être attaché solidement pour les opérations de levage et de manutention. Certaines pompes à moteur électrique sont pourvues de bou- lons à œil à cette fin.



INSTALLATION



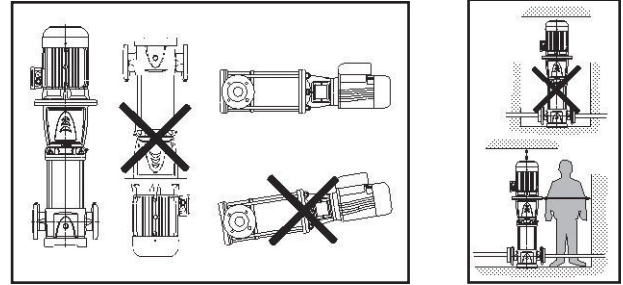
L'installation doit être effectuée par du personnel habilité et compétent. Employer les protections et le matériel appropriés. Observer tout règlement de prévention des accidents en vigueur.

Il faut toujours se référer aux lois et aux codes provinciaux et nationaux pertinents ainsi qu'aux

règlements locaux en vigueur quant au choix du site de l'installation, au branchement électrique et au raccordement de la tuyauterie.

1. CHOIX DU SITE

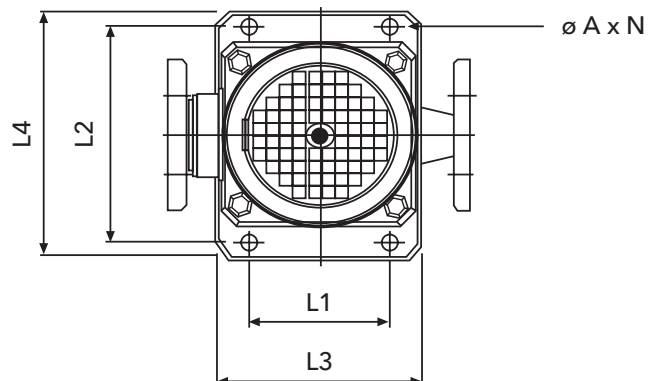
S'assurer qu'aucun obstacle ne nuit à la circulation de l'air de refroidissement venant du ventilateur de moteur et qu'il y a assez d'espace libre autour de la pompe pour l'entretien. Dans la mesure du possible, installer la pompe un peu plus haut que le plancher. Se référer aux illustrations ci-après pour l'installation de la pompe. Le montage horizontal requiert une fixation spéciale pour la pompe.



2. ANCRAGE DE LA POMPE

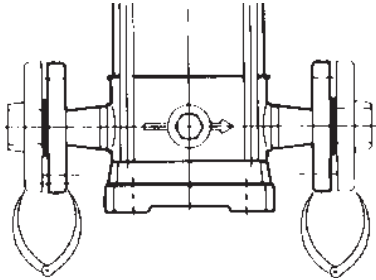
La pompe doit être boulonnée solidement à un massif de béton ou à une structure métallique équivalente (plateau ou plateforme). Si la pompe est de grande dimension et doit être installée près de locaux d'habitation, des supports antivibrants adéquats devraient être utilisés pour empêcher la transmission des vibrations au béton ou à la structure. On trouvera ci-dessous les dimensions relatives au socle de pompe et aux trous d'ancrage.

	15V à 55V	105V à 225V	335V	465V à 925V	1255V
	mm (po)				
L1	100 (3,94)	130 (5,12)	170 (6,69)	190 (7,48)	275 (10,83)
L2	180 (7,09)	215 (8,46)	240 (9,45)	265 (10,43)	380 (14,96)
L3	150 (5,91)	185 (7,28)	220 (8,66)	240 (9,45)	330 (12,99)
L4	210 (8,27)	245 (9,65)	290 (11,42)	315 (12,40)	450 (17,72)
øA	13 (0,51)		15 (0,59)		19 (0,75)
N	4 (0,16)				

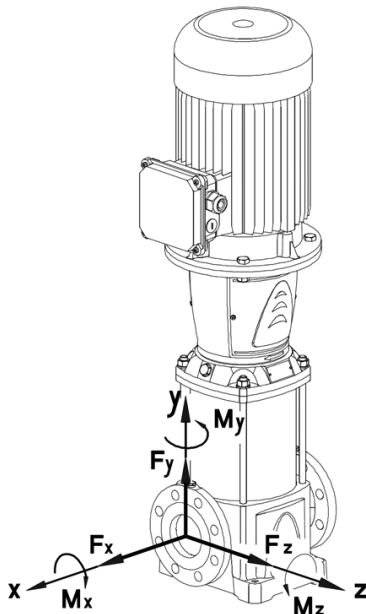


3. ALIGNEMENT ET CHARGE DES BRIDES

Un compas d'épaisseur placé du côté extérieur des trous de vis (v. fig.) donnera un meilleur alignement angulaire des brides d'aspiration et de refoulement.



AVIS : POSER LA TUYAUTERIE DE SORTE QU'ELLE N'APPLIQUE AUCUNE CHARGE SUR LES RACCORDS D'ASPIRATION ET DE REFOULEMENT.



4. TUYAUTERIE

Réduire la perte de charge (par frottement) au minimum en gardant les tuyaux d'aspiration et de refoulement aussi courts que possible, sans raccord ni accessoire superflus ou calibre inférieur à celui des orifices correspondants de la pompe.

AVIS : LA TUYAUTERIE DOIT POSSÉDER SES PROPRES SUPPORTS ET N'APPLIQUER AUCUNE CHARGE SUR LA POMPE.

S'il faut un tuyau d'aspiration plus gros que l'orifice de la pompe, poser près de l'orifice un raccord réducteur excentré, **LE CÔTÉ EXCENTRÉ EN BAS.**

Si la pompe est plus bas que la source de liquide, poser un robinet d'isolement à passage intégral sur le tuyau d'aspiration pour l'inspection et l'entretien.

AVIS : AFIN DE NE PAS DÉSAMORCER, FAIRE SURCHAUFFER NI ABÎMER LA POMPE, NI EN ANNULER LA GARANTIE, NE PAS RÉDUIRE LE PASSAGE VERS LA POMPE AVEC LE ROBINET D'ISOLEMENT.

Si la pompe est plus haut que la source de liquide, on **DOIT** procéder comme suit.

Prévenir les poches d'air : pas d'élément du tuyau d'aspiration plus haut que l'orifice d'aspiration de la pompe.

Donner à la tuyauterie horizontale une légère pente montante à partir de la source de liquide.

Tout joint du tuyau d'aspiration **DOIT** être étanche.

Utiliser un clapet de pied pour amorcer la pompe ou la maintenir amorcée à l'arrêt.

La section de passage de la crépine ou de la tulipe d'aspiration **DOIT** être au moins 3 fois celle du tuyau d'aspiration.

S'assurer que le diamètre (d) et la hauteur d'immersion minimale (h min.) de l'entrée du tuyau d'aspiration sont suffisants pour empêcher l'aspiration d'air par vortex (v. fig. 1 à 4).

Fixer au tuyau de refoulement un clapet de non-retour adapté au débit et au liquide et empêchant le retour du liquide.

Installer, **EN AVAL** du clapet précité, un robinet-vanne de calibre approprié permettant la régulation du débit ainsi que l'inspection et l'entretien.

Si un raccord agrandisseur est requis, le poser entre le clapet précité et l'orifice de refoulement de la pompe.

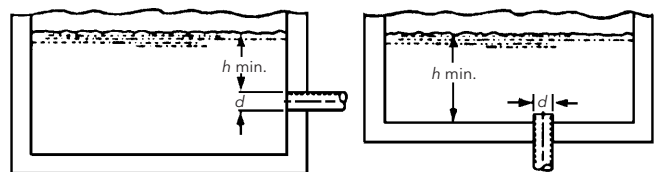


Figure 1

Figure 2

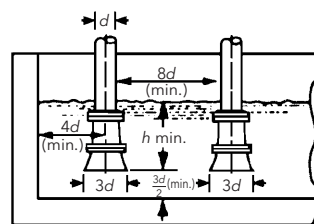


Figure 3

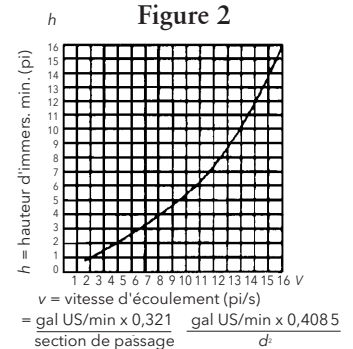


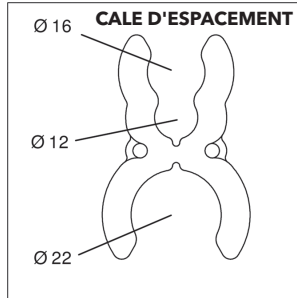
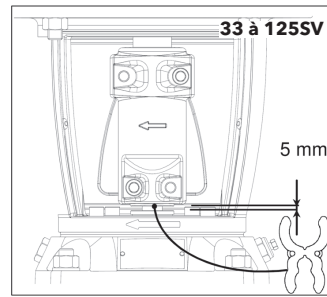
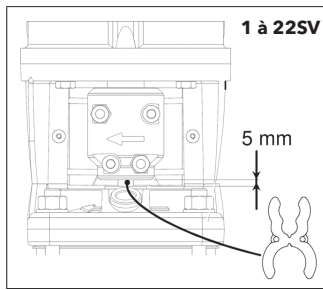
Figure 4

5. ESPACEMENT DE L'ARBRE DE POMPE

La pompe livrée sans moteur vient avec une cale d'espacement placée entre l'accouplement et l'adaptateur de moteur (v. illustrations ci-dessous).

Enlever les bandes de fixation en plastique, les deux carters d'accouplement en inox et les morceaux de polyuréthane expansé.

S'assurer que la cale est placée correctement entre l'adaptateur et l'accouplement. S'il n'y a pas de cale, en poser une de 5 mm (0,203 po) d'épaisseur pour que l'arbre de pompe ait le bon espacement.



Pour les 1 à 22SV à moteur à carcasses 213TC à 256TC, placer l'anneau-adaptateur sur l'adaptateur côté moteur et, pour les 33 à 125SV à moteur à carcasses 284TC à 286TC et 213TC et plus grosses, fixer la bride d'adaptateur au moteur avec 4 vis à tête hexagonale serrées au couple indiqué (v. **DONNÉES TECHNIQUES**).

Desserrer l'accouplement (4 vis d'assemblage) assez pour pouvoir y insérer l'arbre de moteur.

Avec un palan assez solide, abaisser le moteur avec soin jusqu'à ce que son arbre soit en place dans l'accouplement et que le moteur repose sur l'adaptateur. Fixer celui-ci au moteur avec 4 vis à tête hexagonale serrées au couple indiqué (v. **DONNÉES TECHNIQUES**).

Serrer les 4 vis d'assemblage de l'accouplement au couple stipulé (v. **DONNÉES TECHNIQUES**). L'écart entre les demi-accouplements devrait être égal.

Quant aux 33 à 125SV à garniture mécanique à cartouche, une fois les vis d'accouplement bien serrées au couple, mais avant d'enlever la cale d'espacement, serrer les 4 vis de pression du collet de la cartouche à la main à environ 7 N·m (5 lbf·pi) avec une clé hexagonale coudée de 1/8 po.

Ôter et conserver la cale.

Poser les deux (2) carters d'accouplement.

MISE EN SERVICE

1. RACCORDEMENT À LA TUYAUTERIE

Un technicien-installateur qualifié doit effectuer le raccordement à la tuyauterie selon les règlements en vigueur.

Pour le raccordement à un système d'alimentation en eau, suivre les règlements des autorités compétentes (municipalités, entreprises de services publics, etc.), qui requièrent souvent la pose d'un dispositif antirefoulement : disconnecteur hydraulique, clapet de retour ou réservoir-disconnecteur.

2. CÂBLAGE ET MISE À LA TERRE



⚠ Installer la pompe, la mettre à la terre et la brancher suivant les prescriptions du code provincial ou national de l'électricité pertinent et les règlements locaux.

⚠ Poser un sectionneur tout conducteur près de la pompe.

⚠ Verrouiller la source de courant en position hors circuit avant de procéder à l'installation ou à l'entretien de la pompe.

⚠ L'alimentation électrique **DOIT** être conforme aux spécifications de la plaque signalétique de la pompe. Une tension inappropriée peut causer un incendie ou des dommages au moteur et annule la garantie.

⚠ Le protecteur thermique de certains moteurs coupe le courant lorsqu'il y a surcharge et le rétablit automatiquement, redémarrant ainsi la pompe inopinément.

N'utiliser que du fil de cuivre torsadé pour la mise à la terre et l'alimentation du moteur. Le calibre du fil **DOIT** limiter la chute de tension maximale, aux bornes du moteur, à 10% de la tension indiquée sur la plaque signalétique du moteur. Les chutes de tension excessives altèrent les performances et annulent la garantie du moteur. Le calibre du fil de terre doit être au moins égal à celui des fils d'alimentation. Les fils devraient tous être chromocodés pour faciliter l'entretien.

Les moteurs triphasés requièrent une protection tout conducteur contre les surcharges thermiques et un démarreur magnétique appropriés.



AVANT LEUR CONNEXION À LA SOURCE DE COURANT, METTRE LA POMPE, LE MOTEUR ET LA COMMANDE À LA TERRE

DE FAÇON PERMANENTE SELON LES PRESCRIPTIONS DU CODE PROVINCIAL OU NATIONAL DE L'ÉLECTRICITÉ PERTINENT ET LES RÈGLEMENTS LOCAUX. OMETTRE CELA PEUT CAUSER UN CHOC ÉLECTRIQUE, DES BRÛLURES ET LA MORT.

Motors should be wired according to manufacturer instructions.

AVIS : LA POMPE TOURNE DANS LE SENS VISIBLE DE L'EXTRÉMITÉ DU MOTEUR (V. PARAGRAPHE SUIVANT). LA ROTATION EN SENS INVERSE PEUT ENDOMMAGER LA POMPE ET ANNULE LA GARANTIE.

Vérifier le sens de rotation de la pompe sur l'accouplement (PAR les orifices des carters) ou le ventilateur de moteur. **NE PAS** confondre les flèches du sens d'écoulement, sur la tubulure de pompe, avec les flèches du sens de rotation, sur l'accouplement et l'adaptateur de moteur. En triphasé, faire intervertir deux des trois fils d'alimentation par un électricien si le sens de rotation n'est pas le bon.

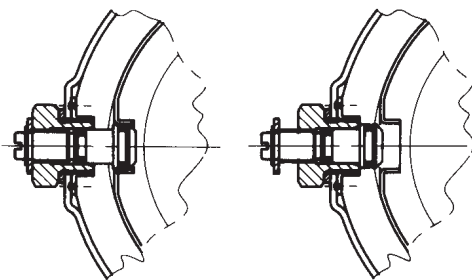
3. AMORÇAGE ET MISE À L'AIR LIBRE

Source de liquide plus haute que la pompe :

Fermer le robinet de refoulement.

Enlever le bouchon de mise à l'air libre.

Dévisser entièrement la cheville du bouchon de vidange des 1SV, 3SV et 5SV (v. illustrations ci-dessous).



CHEVILLE DE VIDANGE VISSÉE

CHEVILLE DE VIDANGE DÉVISSÉE

Le bouchon de mise à l'air libre des 10SV à 125SV est muni d'un pointeau (aiguille), que l'on dévisse simplement à moitié pour évacuer l'air, sans avoir à ôter le bouchon. Quant aux 33SV à 125SV à cartouche d'étanchéité, on doit dévisser le bouchon de mise à l'air libre situé sur la plaque de fixation du fouloir de cartouche, sous l'accouplement.

Ouvrir le robinet d'aspiration jusqu'à ce que le liquide sorte du bouchon de mise à l'air libre.

AVIS : NE PAS ÔTER NI REMPLACER LE BOUCHON DE VIDANGE PAR UN BOUCHON OU UN APPAREIL DE TUYAUTERIE D'UN AUTRE FABRICANT, SINON UNE PERTE NOTABLE DE RENDEMENT POURRAIT SURVENIR.

NOTA : placer un chiffon sur l'orifice de mise à l'air libre pour empêcher l'éclaboussement du liquide sous pression.

Agir avec précaution pour prévenir les blessures si le liquide pompé est chaud ou corrosif.

Poser le bouchon de mise à l'air libre et le serrer au couple stipulé (v. DONNÉES TECHNIQUES). Visser la cheville du bouchon de vidange (1SV, 3SV et 5SV). Ouvrir le robinet de refoulement.

Source de liquide plus basse que la pompe :

Poser un clapet de pied à l'entrée du tuyau d'aspiration.

Dévisser entièrement la cheville du bouchon de vidange des 1SV, 3SV et 5SV (v. illustrations ci-dessus).

Avec l'entonnoir en plastique fourni, remplir entièrement la pompe de liquide.

Poser et serrer le bouchon de mise à l'air libre au couple. Visser la cheville du bouchon de vidange (1SV, 3SV et 5SV). Ouvrir le robinet d'aspiration.

UTILISATION



PRÉVENIR DE GRAVES BLESSURES : NE PAS UTILISER LA POMPE SANS SES CARTERS D'ACCOUPEMENT.

AVIS : BIEN AMORCER LA POMPE AVANT SA MISE EN SERVICE.



NE PAS UTILISER LA POMPE À DÉBIT PRESQUE NUL POUR ÉVITER LA SURCHAUFFE, L'ENDOMMAGEMENT DE LA POMPE, LES BLESSURES ET LES DOMMAGES MATÉRIELS.

Démarrer la pompe sans ouvrir le robinet tout ou rien en aval de celle-ci. Ouvrir le robinet progressivement. La pompe doit tourner en douceur et sans bruit excessif. Au besoin, amorcer la pompe à nouveau. Vérifier le courant absorbé par le moteur et, s'il le faut, régler le relais thermique. On peut évacuer l'air de la pompe en desserrant la vis de mise à l'air libre (toute e-SV).



Si une pompe installée en un lieu où il y a risque de gel n'est pas utilisée, en ôter le bouchon de vidange et la vider. Cela ne sera pas nécessaire si l'on ajoute à l'eau un antigel approprié.



S'assurer que le liquide vidangé ne peut causer ni blessures ni dommages.

Une fois le système stabilisé dans des conditions de service normales, vérifier l'alignement de la tuyauterie et en régler les supports au besoin.



MACHINERIE DANGEREUSE — LE PROTECTEUR THERMIQUE PEUT REDÉMARRER LE MOTEUR INOPINÉMENT ET CAUSER DE GRAVES BLESSURES.

Pour le nombre de démarrages/h maximal recommandé, voir **NOMBRE DE DÉMARRAGES PAR HEURE.**



PRÉVENIR CHOCS ÉLECTRIQUES, BRÛLURES ET BLESSURES MORTELLES: VERROUILLER LA SOURCE DE COURANT EN POSITION HORS CIRCUIT AVANT DE PROCÉDER À L'ENTRETIEN DE LA POMPE.

LUBRIFICATION DU MOTEUR

Fréquence de lubrification recommandée pour paliers et roulements

Intervalle	Conditions de service
1 à 2 ans	Service léger dans un lieu propre
1 an	8 à 16 h/jour dans un lieu propre et sec
6 mois	12 à 24 h/jour dans un lieu humide
3 mois	12 à 24 h/jour dans un lieu sale et très humide

Si la température de service est plus haute, on devrait augmenter la fréquence de lubrification stipulée.

NE PAS mélanger les types de graisses (lithium, sodium, etc.). Enlever entièrement l'ancienne graisse remplacée par un autre type de graisse.

Trop de graisse peut dégrader celle-ci et causer la surchauffe et la défaillance des paliers et roulements.

REMPACEMENT DE LA GARNITURE MÉCANIQUE (1 à 125SV)

1. Fermer les robinets d'aspiration et de refoulement pour isoler la pompe.
2. Enlever le bouchon de vidange, dévisser le pointeau du bouchon de mise à l'air libre et vider la pompe.
3. Enlever les carters d'accouplement, les 4 vis des demi-accouplements, ces derniers et la goupille d'accouplement (v. 1 à 3, fig. 5).
4. Ôter de la plaque-logement de garniture les 4 vis de fixation à tête hexagonale du moteur (v. 4, fig. 5).
5. Dans les trous taraudés de la plaque-logement (33 à 125SV), visser uniformément deux (2) des vis de fixation pour dégager la plaque. La lever et la retirer par l'espace libre entre les arbres, mais avec précaution pour ne pas abîmer le siège de l'élément fixe de la garniture (v. 5, fig. 5).
6. Retourner la plaque et en ôter l'élément fixe, son joint torique et le grand joint torique du collet en saillie, entre la tête de pompe et la plaque. S'assurer que le siège et la plaque sont propres et exempts d'arêtes vives. Lubrifiez l'axe ou la douille légèrement. Utilisez un lubrifiant à base d'eau. Installez le nouveau siège en appuyant le logement de joint avec votre pouce. **MAIS PAS TROP FORT**, et, si cela est possible, mettre un chiffon doux et propre sur la surface d'étanchéité de l'élément pour la protéger pendant la pose (v. 6, fig. 5).
7. Retirer de l'arbre de pompe l'élément mobile de la garniture. Vérifier si l'arbre est exempt d'arêtes vives et de corps étrangers. Les arêtes vives devraient être lissées avec une toile d'émeri à grains fins (v. 7, fig. 5).
8. Appliquer sur le joint torique du pourtour intérieur de l'élément mobile un lubrifiant convenant aux élastomères de la garniture. Enfiler l'élément avec

précaution sur l'arbre de pompe et le tourner pour aligner la goupille au bas de l'élément sur l'un des trous de la chemise d'arbre (33 à 125SV). Imprimer un va-et-vient à la garniture pour en lubrifier le joint torique et l'empêcher de gripper à l'arbre (v. 8, fig. 5).

9. Poser un joint torique neuf sur le collet en saillie de la plaque-logement. Le lubrifiant précité peut servir à poser le joint.

Placer la plaque-logement entre l'arbre de moteur et l'arbre de pompe et enfiler la plaque sur ce dernier. **Procéder avec précaution pour ne pas endommager la surface d'étanchéité de l'élément fixe de la garniture** (v. 9, fig. 5).

10. Reposer les 4 vis de fixation de la plaque-logement et les serrer uniformément au couple stipulé dans les Données techniques (v. 10, fig. 5).
11. Poser la goupille d'accouplement dans son orifice et placer la cale d'espacement sur la saillie centrale de la plaque-logement. **S'il n'y a pas de cale, en utiliser une de 5 mm d'épaisseur** (v. 11, fig. 5).
12. Reposer les demi-accouplements et en serrer les vis d'assemblage uniformément au couple indiqué (v. Données techniques). Ôter et conserver la cale d'espacement (v. 12, fig. 5).
13. Tourner l'arbre à la main pour s'assurer qu'il n'y a aucun grippage. Reposer les carters d'accouplement (v. 13, fig. 5).
14. La pompe et le système devraient être mis à l'air libre avant leur mise en service (v. AMORÇAGE ET MISE À L'AIR LIBRE).

REMPACEMENT DE LA GARNITURE MÉCANIQUE à cartouche d'étanchéité (33 à 125SV)

1. Effectuer les opérations 1 à 4 décrites pour la garniture standard.
2. Desserrer les 4 vis de pression du collet de la cartouche d'étanchéité.
3. Dans les trous taraudés du fouloir de la cartouche, visser uniformément deux des vis de fixation à tête hexagonale pour dégager la cartouche. La lever et la retirer par l'espace libre entre les arbres.
4. Vérifier si l'arbre de pompe est exempt d'arêtes vives et de corps étrangers. Lisser les arêtes vives avec une toile d'émeri à grains fins.
5. Utiliser un lubrifiant convenant aux élastomères de la cartouche pour poser des joints toriques neufs sur le guide usiné et le pourtour intérieur de la cartouche neuve.
6. Placer la cartouche neuve entre l'arbre de moteur et l'arbre de pompe et l'enfiler sur ce dernier avec précaution.
7. Effectuer les opérations 11 à 14 décrites pour la garniture standard.
8. Serrer les 4 vis de pression du collet de la cartouche pour fixer celle-ci à l'arbre de pompe.
9. Tourner l'arbre à la main pour s'assurer qu'il n'y a aucun grippage. Reposer les carters d'accouplement.
10. Utiliser le bouchon de la plaque de fixation du fouloir de cartouche pour mettre la pompe à l'air libre de manière adéquate.

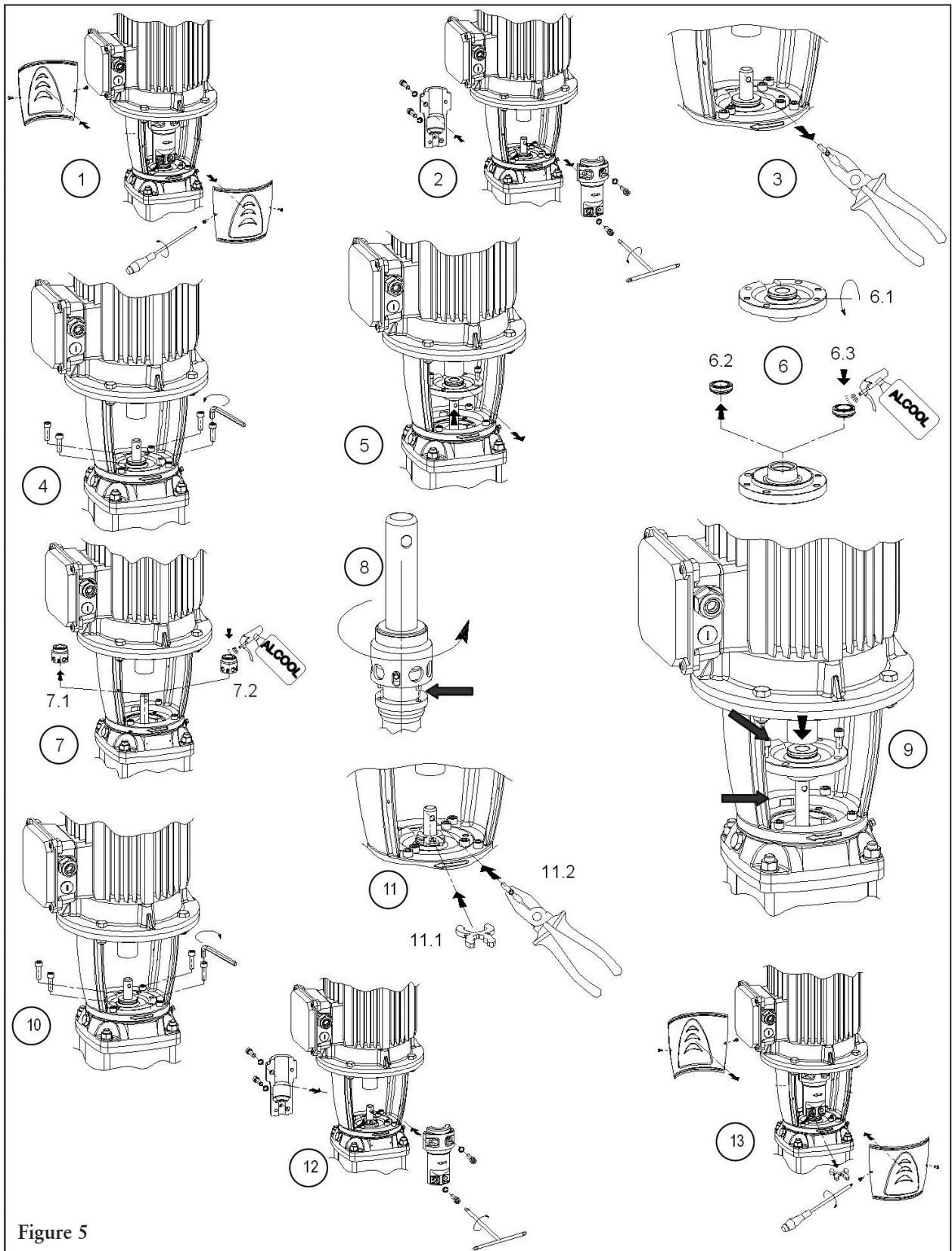


Figure 5

ENLÈVEMENT DE LA CUVE DE LA POMPE

ATTENTION



Porter des gants.
Les pièces peuvent
avoir des bords
tranchants.

1. Fermer toutes les vannes d'aspiration et de refoulement nécessaires.
2. Évacuer le liquide de la pompe en retirant le bouchon de vidange inférieur et le bouchon de mise à l'air libre supérieur.
3. Retirer les protections de l'accouplement, les 4 vis à tête hexagonale de l'accouplement, l'accouplement et la goupille d'entraînement de l'accouplement.
4. Retirer les 4 vis à tête hexagonale du moteur.
*Sur les unités 33-125SV avec des carcasses de moteur 213TC et versions plus grandes et les unités 1-22SV avec des carcasses de moteur 280TC et versions plus grandes, retirer les 4 vis à tête hexagonale de la bride d'adaptateur du moteur.
5. Retirer le moteur avec précaution à l'aide d'une grue de taille adéquate. NE PAS laisser le moteur appuyer sur l'arbre du moteur.
6. Enlever le fouloir de cartouche d'étanchéité ou la garniture mécanique à cartouche;
 - Pour les unités 1-22SV, retirer les 4 vis d'assemblage de l'accouplement pour soulever et enlever le fouloir de cartouche d'étanchéité.
 - Pour les unités 33-125SV sans garniture mécanique à cartouche;
 1. Retirer les 4 vis d'assemblage de l'accouplement.
 2. Soulever et retirer le fouloir de cartouche d'étanchéité. Si le fouloir de cartouche d'étanchéité ne se soulève pas à la main, utiliser les deux trous taraudés fournis pour desserrer et soulever le fouloir de cartouche d'étanchéité en vue de le retirer.
 - Pour les appareils 33-125SV à garniture mécanique à cartouche;
 1. Desserrer les 4 vis de réglage situées autour du code d'identification de l'arbre de la pompe.
 2. Retirer les 4 vis d'assemblage de l'accouplement.
 3. Retirer la garniture mécanique à cartouche en utilisant les deux trous taraudés prévus sur le fouloir de cartouche d'étanchéité en vissant deux des vis à tête hexagonale dans ces trous et en les serrant uniformément.
 4. Une fois desserrée, soulever et retirer la garniture mécanique à cartouche.
7. Retirer les 4 tirants d'assemblage et les rondelles.
8. Retirer l'adaptateur du moteur / l'ensemble adaptateur du moteur et la plaque d'étanchéité supérieure.
 - Pour les unités 1-22SV, soulever l'adaptateur du moteur pour le retirer. *Noter que la plaque d'étanchéité supérieure peut être retirée avec l'adaptateur du moteur lors du levage. Si la plaque d'étanchéité supérieure reste sur le corps de la pompe, la soulever pour l'enlever.

- Pour les unités 33-125SV, soulever l'ensemble adaptateur du moteur (adaptateur du moteur et plaque d'étanchéité supérieure). Pour soulever l'ensemble adaptateur du moteur en toute sécurité, une grue peut être nécessaire.

9. Retirer la cuve de la pompe, saisir l'arbre de la pompe, basculer d'un côté à l'autre pour libérer la cuve, ensuite soulever verticalement. Si la cuve du premier niveau est restée dans le corps de la pompe, soulever la cuve AVEC PRÉCAUTION et la retirer.

REMPACEMENT DU MOTEUR

Pour ôter le moteur, faire les tâches 1 à 4 de **remplacement de la garniture mécanique standard**.

Pour les moteurs 213TC et plus gros, enlever les 4 vis de fixation à tête hex. du moteur et son adaptateur.

Fixer la bride d'adaptateur de moteur au moteur neuf avec 4 vis à tête hexagonale serrées au couple indiqué (v. **DONNÉES TECHNIQUES**).

Achever le remontage en exécutant les tâches 10 à 14 de **remplacement de la garniture mécanique standard**.

Les travaux d'entretien non décrits dans le présent manuel devraient être réalisés par un centre de service agréé. Pour toute assistance, s'adresser au détaillant local ou au distributeur Goulds Water Technology.

GUIDE DE DÉPANNAGE



PRÉVENIR CHOCS ÉLECTRIQUES, BRÛLURES ET BLESSURES MORTELLES : VERROUILLER LA SOURCE DE COURANT EN POSITION HORS CIRCUIT AVANT DE PROCÉDER À L'ENTRETIEN DE LA POMPE.

ANOMALIE

NON-FONCTIONNEMENT DU MOTEUR

(V. causes probables 1 à 5)

DÉBIT DE REFOULEMENT FAIBLE OU NUL

(V. causes probables 6 à 12)

CONSOMMATION D'ÉNERGIE EXCESSIVE

(V. causes probables 3, 12, 13 et 15)

VIBRATION ET BRUIT EXCESSIFS

(V. causes probables 3, 6 à 8, 10, 12, 13 et 16)

CAUSE PROBABLE

1. Protecteur thermique du moteur déclenché
2. Disjoncteur ouvert ou fusible sauté
3. Roue(s) bloquée(s)
4. Moteur mal connecté
5. Moteur défectueux
6. Pompe non amorcée, air ou gaz présent dans le liquide pompé
7. Tuyau d'aspiration ou de refoulement obstrué ou robinet(s) fermé(s)
8. Mauvais sens de rotation (moteurs triphasés seulement)
9. Basse tension électrique ou perte de phase
10. Roue(s) usée(s) ou engorgée(s)
11. Hauteur de charge du système trop élevée
12. Hauteur nette d'aspiration disponible (NPSHA) trop faible — hauteur ou perte d'aspiration excessives
13. Hauteur de refoulement trop faible — débit excessif
14. Viscosité ou densité trop élevées
15. Palier(s), coussinet(s) ou roulement(s) usé(s)
16. Pompe, moteur ou tuyauterie mal assujettis

DONNÉES TECHNIQUES

COUPLE DE SERRAGE

hp	Vis de fixation du moteur	Bride d'adaptateur	Accouplement		
			1 à 5SV	10 à 22SV	33 à 92SV
0,75 à 7,5	27 N·m (20 lbf·pi)		20 N·m (15 lbf·pi)	54 N·m (40 lbf·pi)	50 N·m (37 lbf·pi)
10 à 75	61 N·m (45 lbf·pi)	65 N·m (48 lbf·pi)*	20 N·m (15 lbf·pi)	54 N·m (40 lbf·pi)	65 N·m (48 lbf·pi)

* Moteurs à carcasses 213TC et 215TC : 40 N·m (30 lbf·pi)

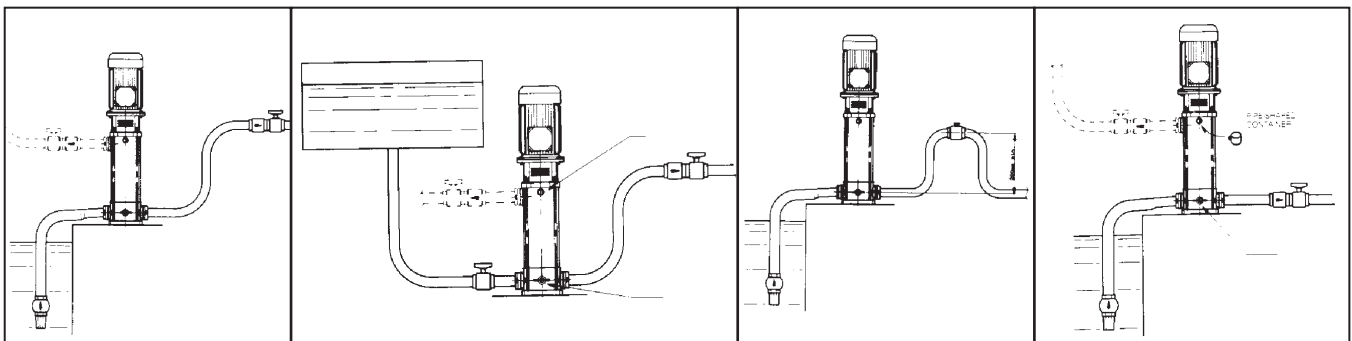
COUPLE DE SERRAGE

Pompe	Tirants d'assemblage	Bouchons (vidange et mise à l'air libre)
1-5SV	18 lbs pie (24 N·m)	18 lbs pie (24 N·m)
10-22SV	22 lbs pie (30 N·m)	18 lbs pie (24 N·m)
33-125SV	44 lbs pie (60 N·m)	30 lbs pie (41 N·m)

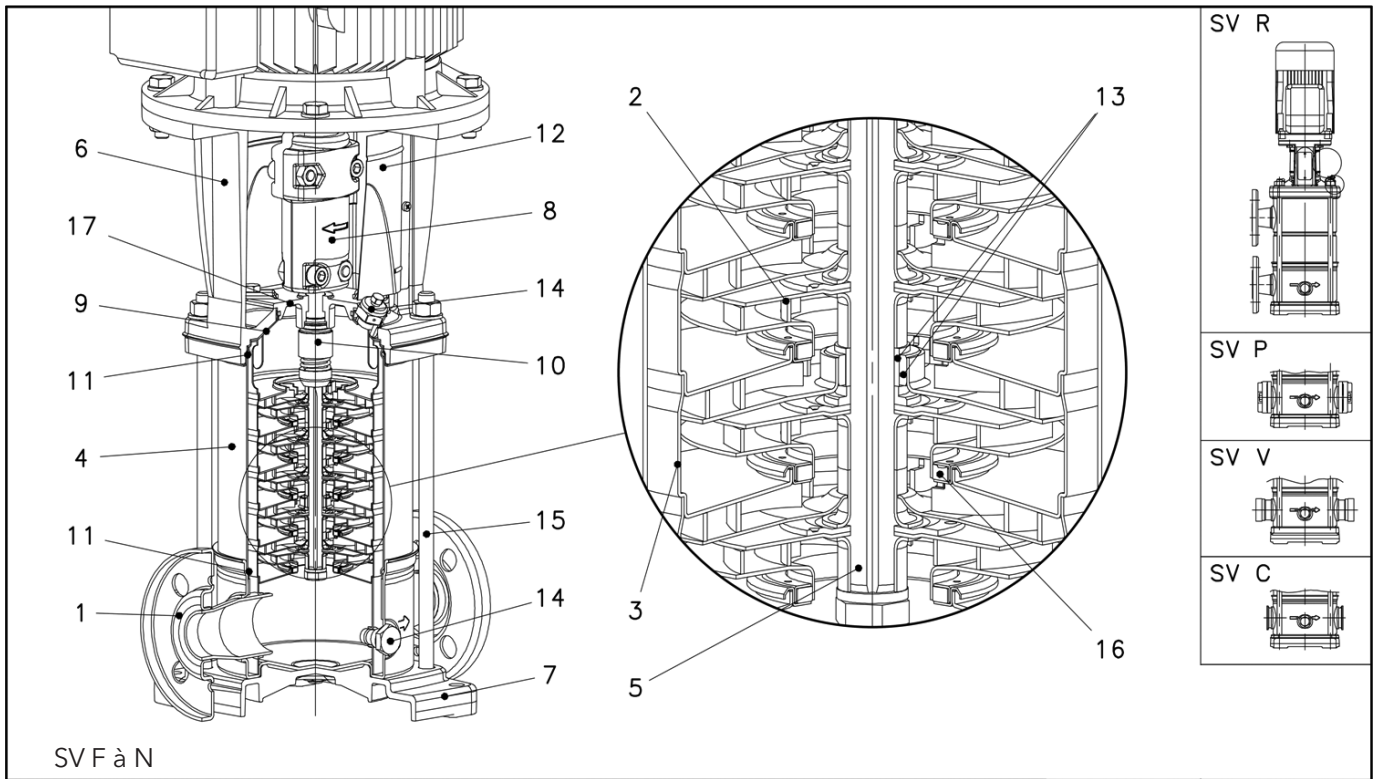
POINTEAU (MISE À L'AIR LIBRE)

Pompe	
1 à 5SV	9,5 N·m (7 lbf·pi)
10 à 22SV	
33 à 125SV	

PLOMBERIE ET INSTALLATION TYPES

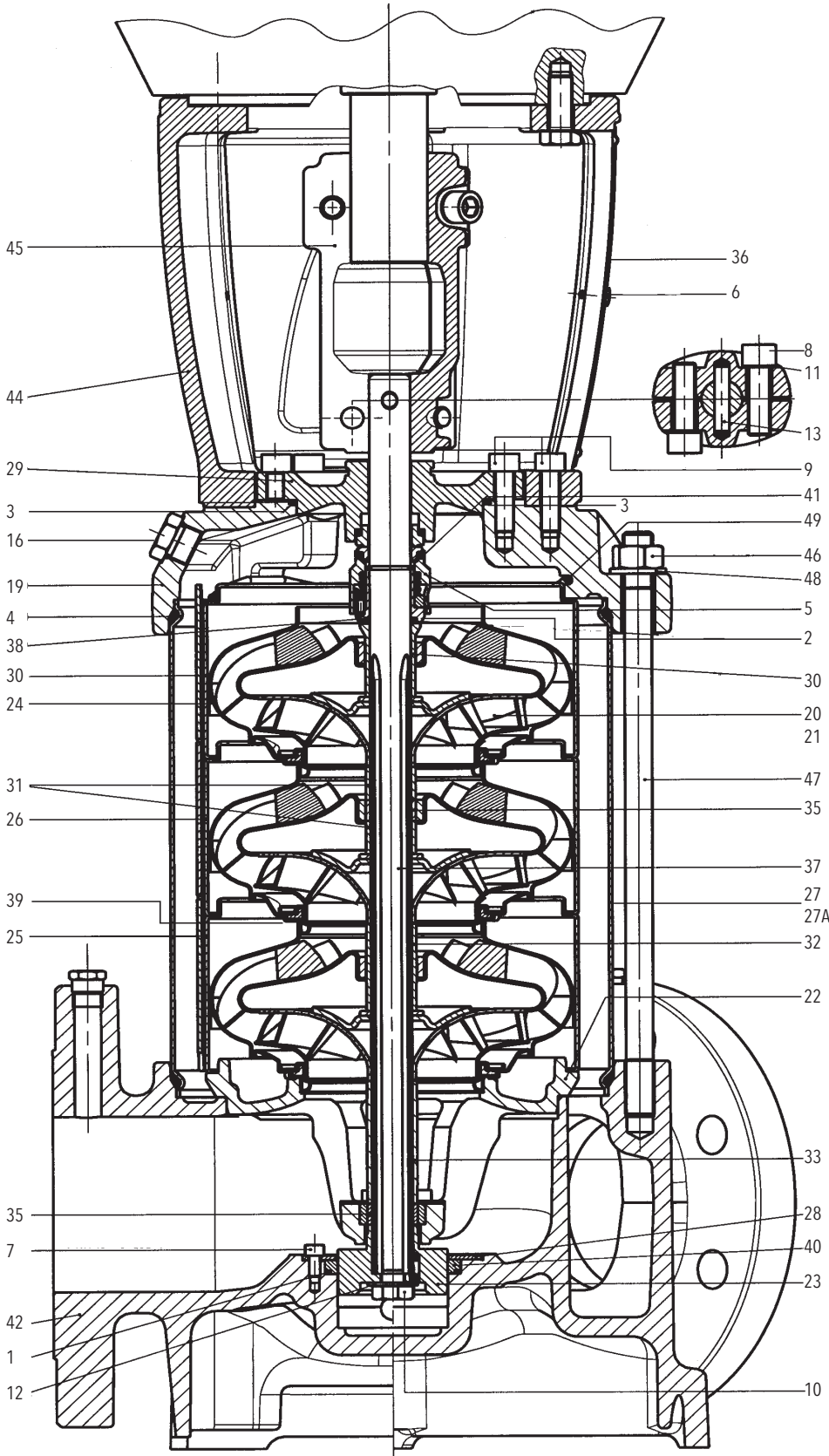


NOTA : le tuyau de refoulement doit former un S assez haut pour maintenir le liquide dans les corps d'étage inférieurs de la pompe durant les arrêts.

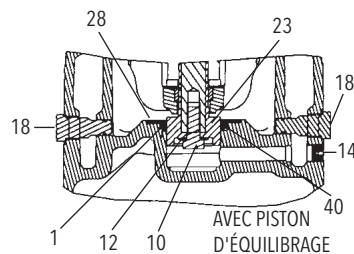
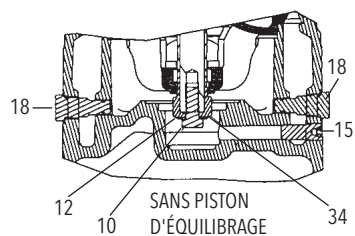


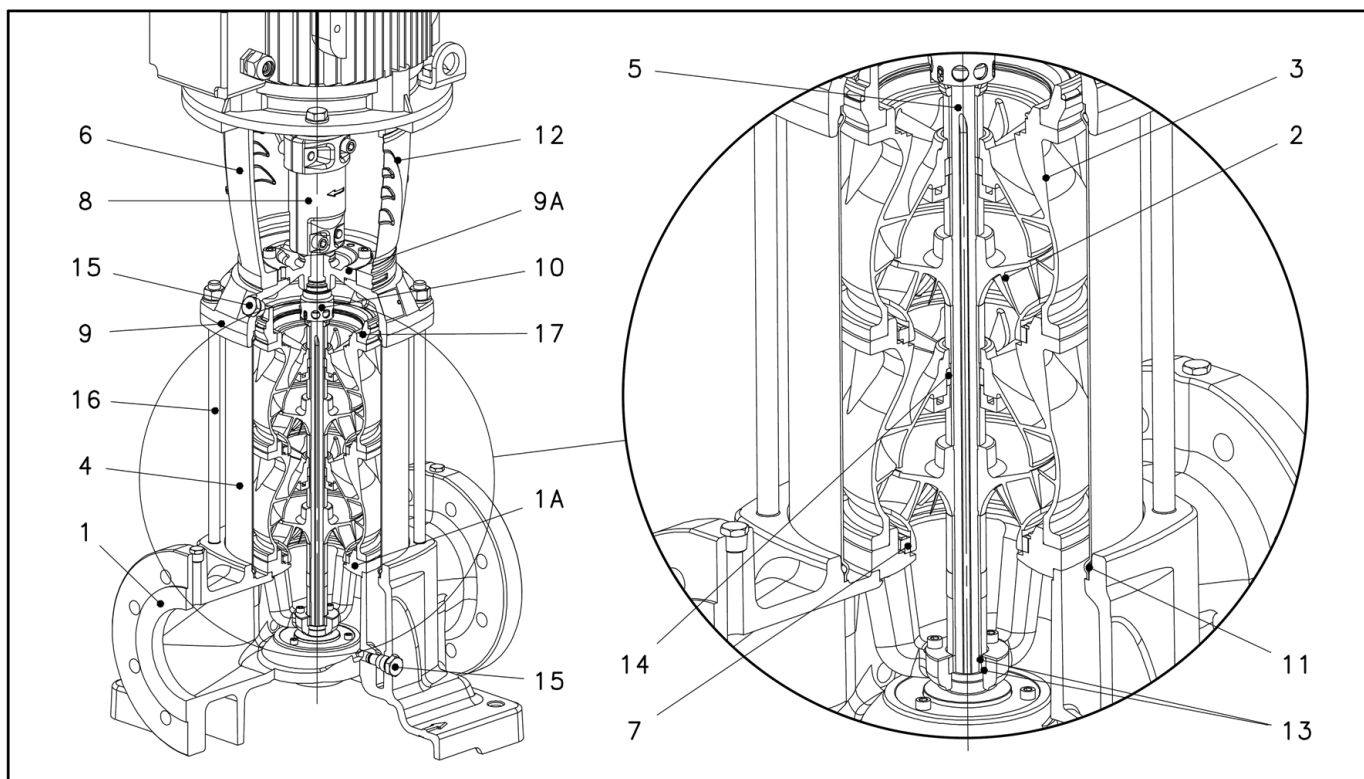
- 1 Tubulure de pompe
- 2 Roue
- 3 Diffuseur
- 4 Enveloppe extérieure
- 5 Arbre
- 6 Adaptateur
- 7 Socle de pompe
- 8 Accouplement
- 9 Plaque-logement de garniture mécanique
- 10 Garniture mécanique
- 11 Joints toriques
- 12 Carter d'accouplement
- 13 Coussinet et chemise d'arbre
- 14 Bouchons de remplissage et de vidange
- 15 Tirants d'assemblage
- 16 Bague d'usure
- 17 Fouloir de cartouche d'étanchéité

DESSIN ET PRINCIPAUX COMPOSANTS DES 33 À 92SV



- 1 Joint torique de piston d'équilibrage
- 2 Joint torique de garniture mécanique
- 3 Joint torique de plaque-logement de garniture mécanique
- 4 Joint torique d'enveloppe extérieure
- 5 Garniture mécanique
- 5A Cartouche d'étanchéité (non montrée)
- 6 Vis de carter d'accouplement
- 7 Vis de disque de retenue de piston
- 8 Vis d'accouplement
- 9 Vis d'adaptateur de moteur et de plaque-logement
- 10 Vis de roue
- 11 Rondelle d'accouplement
- 12 Rondelle de roue
- 13 Goupille d'accouplement
- 14 Bouchon du passage à piston
- 15 Bouchon du passage sans piston
- 16 Bouchon de remplissage
- 17 Bouchon de mise à l'air libre (non montré)
- 18 Bouchon de vidange
- 19 Tête de pompe
- 20 Roue de plein diamètre
- 21 Roue de diamètre réduit
- 22 Corps de palier inférieur
- 23 Piston d'équilibrage
- 24 Dernier diffuseur
- 25 Diffuseur à coussinet en carbone
- 26 Diffuseur à coussinet en tungstène
- 27 Enveloppe extér. (2 500 kPa, 363 lbf/po²)
- 27A Enveloppe extér. (4 000 kPa, 580 lbf/po²)
- 28 Disque de retenue du piston d'équilibrage
- 29 Plaque-logement de garniture mécanique
- 30 Entretoise de dernière roue
- 31 Entretoise de coussinet d'arbre
- 32 Entretoise de roue
- 33 Entretoise de roue infér. (66 à 92SV)
- 34 Coussinet (pompe sans piston d'équil.)
- 35 Coussinet en carbure de tungstène
- 36 Carter d'accouplement
- 37 Arbre
- 38 Chemise d'arbre pour garniture méc.
- 39 Bague d'usure pour roue
- 40 Dispositif d'étanchéité de piston d'équil.
- 41 Bague de retenue de roue
- 42 Socle-tubulure de pompe
- 43 Bride d'adaptateur de moteur (non montrée)
- 44 Adaptateur de moteur
- 45 Demi-accouplement
- 46 Écrou de tirant d'assemblage
- 47 Tirant d'assemblage
- 48 Rondelle de tirant d'assemblage
- 49 Ressort de pression des étages





- 1 Socle-tubulure de pompe
- 2 Roue
- 3 Diffuseur
- 4 Enveloppe extérieure
- 5 Arbre
- 6 Adaptateur
- 7 Joint torique (élastomère)
- 8 Accouplement
- 9 Plaque-logement de garniture mécanique
- 10 Garniture mécanique
- 11 Joint torique (élastomère)
- 12 Carter d'accouplement
- 13 Coussinet et chemise d'arbre
- 14 Coussinet d'arbre
- 15 Bouchons de remplissage et de vidange
- 16 Tirants d'assemblage
- 17 Joint torique (élastomère)

Licence d'utilisation de logiciel

EN UTILISANT LE DISPOSITIF DE SURVEILLANCE D'ÉTAT i-AlertMC, VOUS CONVENEZ QUE VOUS ÊTES LIÉ(E) PAR LES CONDITIONS DE LA LICENCE D'UTILISATION SUIVANTE. VEUILLEZ LA LIRE AVEC SOIN.

ITT Corporation, ses filiales et ses sociétés affiliées, soit directement ou par le biais de ses sociétés sous-licenciées agréées (ITT), vous octroient une licence limitée non exclusive pour l'utilisation normale du logiciel intégré sous forme binaire exécutable dans le dispositif i-AlertMC surveillant l'état des modèles de pompe Goulds d'ITT et e-SV de Xylem, ainsi que des pompes Bell & Gossett de série 1510 de Xylem. ITT et ses tiers fournisseurs conservent le titre et les droits de propriété intellectuelle et autre du logiciel et de ses parties. Vous convenez que la présente licence d'utilisation n'a pas à être signée pour entrer en vigueur.

Vous convenez également que ledit logiciel est la propriété d'ITT et qu'il est protégé par les traités internationaux et les lois des États-Unis d'Amérique sur le droit d'auteur. Vous reconnaissez que la structure, l'organisation et le code du logiciel constituent de précieux secrets commerciaux pour ITT et ses tiers fournisseurs, ainsi que le logiciel dans sa forme code source pour ITT. À propos du logiciel et de n'importe laquelle de ses parties, vous acceptez de ne pas en faire de décompilation, de désassemblage, de modification, d'assemblage ou d'ingénierie inverses ni de création de produits dérivés. Vous convenez de ne pas exporter ni de réexporter le logiciel dans d'autres pays en violation des lois des États-Unis d'Amérique sur le contrôle des exportations.

Déclaration de conformité

Nous, à

Xylem Inc. et Goulds Water Technology

1 Goulds Drive

Auburn, NY, U.S.A. 13021,

déclarons que les produits NPE, MCS, MCC, 3656, 3656 SP, GB, e-SV, SSV, SVI, NPO, Prime Line SP, HB, HMS, LC, NPV, LB, LBS sont conformes à la directive 06/42/EC (législation relative aux machines). Ils sont destinés à être intégrés dans la machinerie faisant l'objet de ladite directive, mais ne doivent pas être mis en service tant que la machinerie en question ne sera pas déclarée conforme aux stipulations de la directive.

GARANTIE POUR UTILISATION COMMERCIALE

Pour les biens vendus aux acheteurs commerciaux, le vendeur garantit les biens vendus ci-dessous (sauf pour les membranes, joints d'étanchéités, joints, matériaux en élastomère, revêtements et autres « pièces d'usure » ou articles consommables, ces derniers n'étant pas garantis sauf indication contraire sur le formulaire de soumission ou de vente) seront (i) intégrés selon les spécifications indiquées sur la soumission ou le formulaire de vente, si ces spécifications font partie intégrantes de cette entente, et (ii) sont libres de toute défectuosité matériel et de fabrication pendant une période de un (1) an depuis la date d'installation ou douze (12) mois depuis la date d'expédition (la date d'expédition ne sera pas ultérieure à dix-huit (18) mois après la réception de l'avis que les biens sont prêts à être expédiés), la première instance à survenir, à moins qu'une période plus longue n'ait été indiquée sur la documentation du produit (la « Garantie »).

Sauf mention contraire dans les lois, le vendeur, à son choix et sans frais pour l'acheteur, réparera ou remplacera tout produit défectueux en vertu de la garantie pour autant que l'acheteur donne un avis écrit au vendeur de toutes défectuosités matérielles ou de main d'oeuvre dans les dix (10) jours de la première occurrence d'un défaut ou non conformité. En vertu de l'option de réparation ou de remplacement, le vendeur n'est soumis à aucune obligation de retirer ou de faire retirer le produit défectueux ni d'installer ou de payer pour l'installation du produit réparé ou remplacé. L'acheteur ne peut être tenu responsable de tout autre frais, incluant, entre autre, frais de réparation, d'expéditions et dépenses. Le vendeur à son entière discrétion choisira la méthode ou le moyen de réparation ou de remplacement. Le défaut de l'acheteur de se conformer aux directives de réparation ou de remplacement du vendeur conclura les obligations du vendeur en vertu de la présente garantie et annulera la garantie. Toutes pièces réparées ou remplacées en vertu de la garantie seront couvertes uniquement pour la durée de la garantie restante sur les pièces ayant été réparées ou remplacées. Le vendeur n'aura aucune obligation de garantie envers l'acheteur pour tout produit ou pièces du produit ayant été : (a) réparées par une tierce partie autre que le vendeur ou sans l'approbation écrite du vendeur; (b) soumises à une mauvaise utilisation, mauvaise application, négligence, altération, accident ou dommage physique; (c) utilisées de manière contraire aux directives d'installation, d'opération et d'entretien du vendeur; (d) endommagées par une usure normale, corrosion ou produits chimiques; (e) endommagées par des conditions anormales, vibrations, défaut d'une amorce adéquate ou opération sans débit; (f) endommagées par une alimentation électrique défectueuse ou une mauvaise protection électrique; ou (g) endommagées par l'utilisation d'un accessoire n'ayant pas été vendu ou approuvé par le vendeur. Dans le cas de produits n'ayant pas été fabriqués par le vendeur, ce dernier n'offre aucune garantie; cependant le vendeur fera profiter l'acheteur de toute garantie qu'il aura reçu du fournisseur de tels produits.

LA PRÉSENTE GARANTIE EST EXCLUSIVE ET REMPLACE TOUTE AUTRE GARANTIE OU CONDITIONS EXPRESSES OU IMPLICITES DE QUELQUE NATURE SE RAPPORTANT AUX BIENS FOURNIS CI-APRÈS, INCLUSANT, SANS LIMITE, TOUTE GARANTIE IMPLICITE DE QUALITÉ MARCHANDE ET DE CONFORMITÉ À DES FINS PARTICULIÈRES, QUI SONT RÉFUTÉES EXPRESSÉMENT ET EXLUES. SAUF MENTION CONTRAIRE DANS LES LOIS, LE SEUL RECOURS DE L'ACHETEUR ET LA RESPONSABILITÉ DU VENDEUR EN CAS DE BRIS D'UNE DES GARANTIES CI-APRÈS EST LIMITÉ À LA RÉPARATION OU AU REMPLACEMENT DU PRODUIT ET SERA DANS TOUS LES CAS LIMITÉ AU MONTANT PAYÉ PAR L'ACHETEUR POUR LE PRODUIT DÉFECTUEUX. EN AUCUN CAS, LE VENDEUR NE POURRA ÊTRE TENU RESPONSABLE DE TOUTES AUTRES FORMES DE DOMMAGES, QU'IL SOIT DIRECT, INDIRECT, LIQUIDÉ, ACCIDENTEL, CONSÉCUTIF, PUNITIF, EXEMPLAIRE OU DOMMAGES SPÉCIAUX, INCLUANT, ENTRE AUTRES, PERTE DE PROFIT, PERTE D'ÉCONOMIE PRÉVUE OU DE REVENU, PERTE DE RENTRÉE MONÉTAIRE, PERTE DE CLIENTÈLE, PERTE DE PRODUCTION, PERTE D'OPPORTUNITÉ OU PERTE DE RÉPUTATION.



Xylem Inc.
2881 East Bayard Street Ext., Suite A
Seneca Falls, NY 13148
Téléphone: (866) 673-0445
Télécopie: (888) 322-5877
www.xylem.com/goulds

Goulds est une marque déposée de Goulds Pumps, Inc. et est utilisé sous le permis.
© 2021, Xylem Inc. IM228 Révision numéro 10 Février 2021