



FEATURES

Impeller: Cast iron, multivane, vortex style

Casing: Cast iron volute for maximum efficiency. Designed for easy installation on A10-20 slide rail or base elbow rail systems.

Mechanical Seal: SILICON CARBIDE VS. SILICON CARBIDE sealing faces for superior abrasive resistance, stainless steel metal parts, BUNA-N elastomers.

Shaft: Corrosion-resistant, 300 series stainless steel. Threaded design. Locknut on all models to guard against component damage on accidental reverse rotation.

Fasteners: 300 series stainless steel.

Capable of running dry without damage to components.

Designed for continuous operation when fully submerged.

EXTENDED WARRANTY AVAILABLE FOR RESIDENTIAL APPLICATIONS.

VTX Series

SUBMERSIBLE SEWAGE PUMP

APPLICATIONS

Specifically designed for the following uses:

- Homes
- Sewage systems
- Dewatering/Effluent
- Water transfer
- Light industrial
- Commercial applications

Anywhere waste or drainage must be disposed of quickly, quietly and efficiently.

SPECIFICATIONS

Pump

- Solids handling capabilities: 2" maximum
- Capacities: up to 208 GPM
- Total heads: up to 66 feet TDH
- Discharge size: 2" NPT threaded as standard.
- Temperature: 104°F (40°C) continuous
140°F (60°C) intermittent.

MOTORS

- Fully submerged in high grade turbine oil for lubrication and efficient heat transfer. All ratings are within the working limits of the motor.

Class B insulation on ½, 1, 1½, 2 HP models.

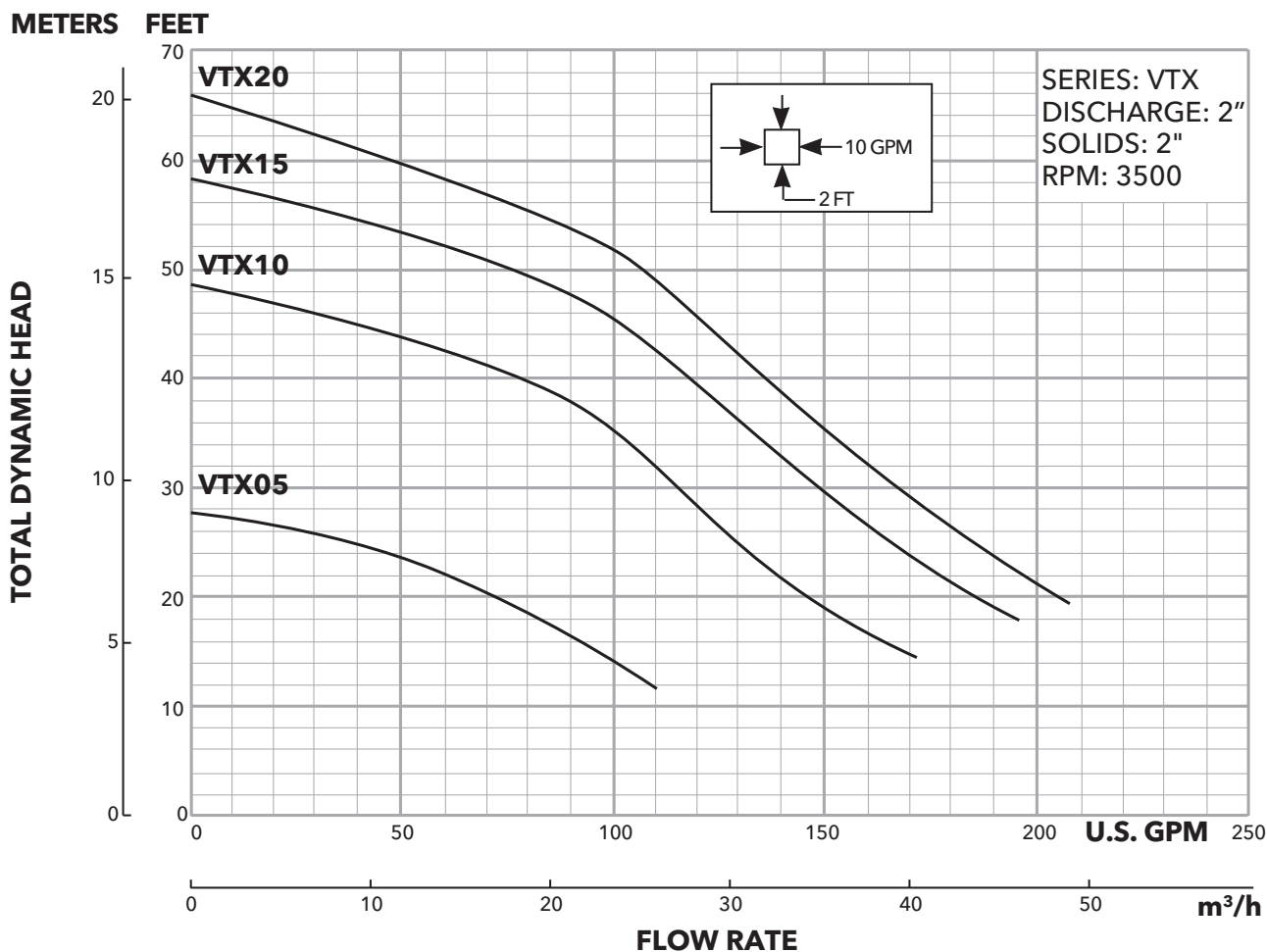
Single phase (60 Hz):

- PSC motors for improved reliability with no starting switches and low start & running current.
- Built-in overload with automatic reset.
- SJTOW severe duty oil and water resistant power cords, 20' length.
- ½ - 2 HP models have NEMA three prong grounding plugs.

AGENCY LISTINGS



Tested to UL 778 and CSA 22.2 108 Standards
By Canadian Standards Association
File #LR38549

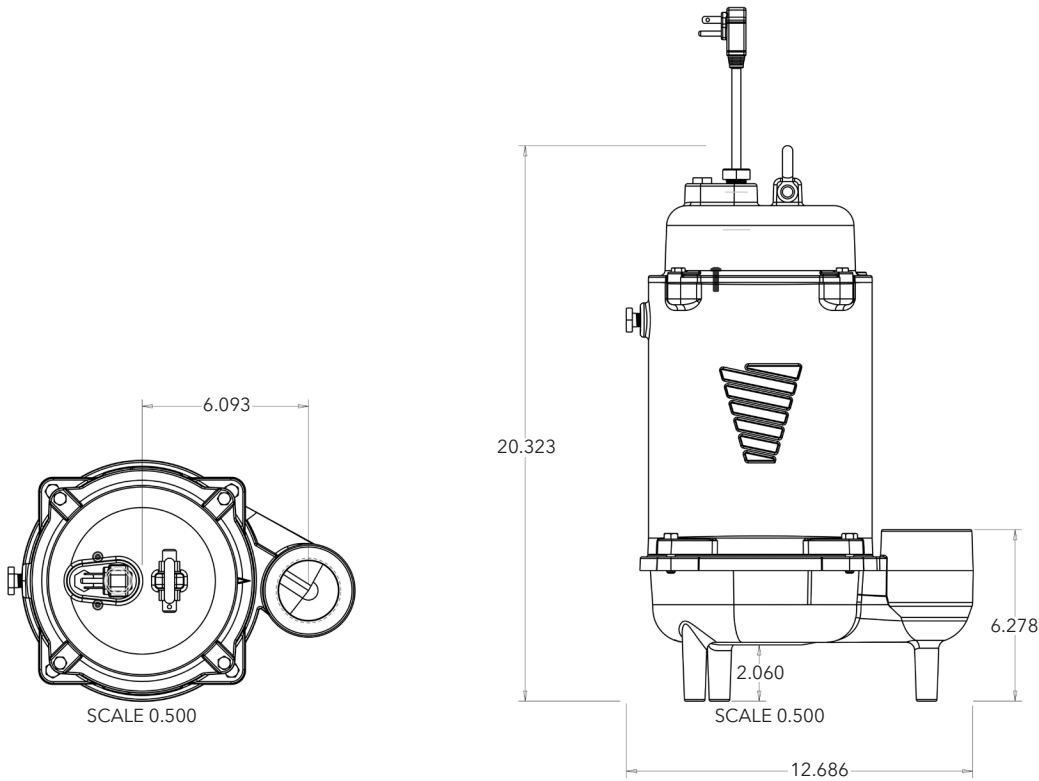


MOTOR AND MODEL INFORMATION

Order Number	HP	Phase	Volts	RPM	Impeller Diameter (in.)	Maximum Amps	Locked Rotor Amps	KVA Code	Full Load Motor Efficiency %	Resistance Main (White - black)	Resistance Phase (white-brown)
VTX0511	0.5	1	115	3500	3.13	12.5	62.6	J	71	0.45 - 0.50	4.2 - 4.6
VTX0512			230			7.7	35.7	K	71	1.6 - 1.8	3.7 - 4.0
VTX1012	1		230		3.75	9.5	45.2	B	78	1.2 - 1.3	3.2 - 4.6
VTX1512	1.5		230		4.06	13.0		B	83	1.2 - 1.3	3.2 - 4.6
VTX2012	2	230	4.31	16.0	B	82		1.2 - 1.3	3.2 - 4.6		

DIMENSIONS

(All dimensions are in inches. Do not use for construction purposes.)



Xylem |'zīləm|

- 1) The tissue in plants that brings water upward from the roots;
- 2) a leading global water technology company.

We're a global team unified in a common purpose: creating advanced technology solutions to the world's water challenges. Developing new technologies that will improve the way water is used, conserved, and re-used in the future is central to our work. Our products and services move, treat, analyze, monitor and return water to the environment, in public utility, industrial, residential and commercial building services, and agricultural settings. With its October 2016 acquisition of Sensus, Xylem added smart metering, network technologies and advanced data analytics for water, gas and electric utilities to its portfolio of solutions. In more than 150 countries, we have strong, long-standing relationships with customers who know us for our powerful combination of leading product brands and applications expertise with a strong focus on developing comprehensive, sustainable solutions.

For more information on how Xylem can help you, go to www.xylem.com



Xylem Inc.
2881 East Bayard Street Ext., Suite A
Seneca Falls, NY 13148
Phone: (866) 325-4210
Fax: (888) 322-5877
www.gouldswatertechnology.com

Goulds is a registered trademark of Goulds Pumps, Inc. and is used under license.
© 2017 Xylem Inc. BVTXSERIES September 2017