



Model HSC

INSTALLATION, OPERATION AND MAINTENANCE MANUAL



Table of Contents

SUBJECT	PAGE
Safety Instructions	3
Important	3
Installation	3
Suction Piping	4
Discharge Piping.....	4
Rotation	4
Operation.....	4
Maintenance.....	4
Disassembly.....	4
Reassembly.....	5
Troubleshooting	5
Parts List	6
Limited Warranty	7
Declaration of Conformity	24

Owner's Information

Pump Model Number: _____
Pump Serial Number: _____
Dealer: _____
Dealer Phone No.: _____
Date of Purchase: _____
Date of Installation: _____

Current Readings at Startup:

<u>1 Ø</u>	<u>3 Ø</u>	<u>L1-2</u>	<u>L2-3</u>	<u>L3-1</u>
Amps: _____	Amps: _____	_____	_____	_____
Volts: _____	Volts: _____	_____	_____	_____

SAFETY INSTRUCTIONS

TO AVOID SERIOUS OR FATAL PERSONAL INJURY OR MAJOR PROPERTY DAMAGE, READ AND FOLLOW ALL SAFETY INSTRUCTIONS IN MANUAL AND ON PUMP.

THIS MANUAL IS INTENDED TO ASSIST IN THE INSTALLATION AND OPERATION OF THIS UNIT AND MUST BE KEPT WITH THE PUMP.



This is a **SAFETY ALERT SYMBOL**. When you see this symbol on the pump or in the manual, look for one of the following signal words and be alert to the potential for personal injury or property damage.



Warns of hazards that WILL cause serious personal injury, death or major property damage.



Warns of hazards that CAN cause serious personal injury, death or major property damage.



Warns of hazards that CAN cause personal injury or property damage.

NOTICE: INDICATES SPECIAL INSTRUCTIONS WHICH ARE VERY IMPORTANT AND MUST BE FOLLOWED.

THOROUGHLY REVIEW ALL INSTRUCTIONS AND WARNINGS PRIOR TO PERFORMING ANY WORK ON THIS PUMP.

MAINTAIN ALL SAFETY DECALS.



Hazardous fluids can cause fire, burns or death.

UNIT NOT DESIGNED FOR USE WITH HAZARDOUS LIQUIDS OR FLAMMABLE GASES. THESE FLUIDS MAY BE PRESENT IN CONTAINMENT AREAS.

DESCRIPTION and SPECIFICATIONS:

The Model HSC is a multi-stage, end-suction, centrifugal pump for general liquid transfer service, booster applications, etc. Liquid-end construction is cast iron, stainless steel and engineered composites.

All units have NEMA 48 Frame single-phase, 115/230 V, 60 Hz motors with C-face mounting and NEMA 56J threaded shaft extensions.

1. IMPORTANT

- 1.1. Inspect unit for damage. Report any damage to carrier/dealer immediately.
- 1.2. Electrical supply must be a separate branch circuit with fuses or circuit breakers, wire sizes, etc., in compliance with National and Local electrical codes. Install an all-leg disconnect switch near pump.



ALWAYS DISCONNECT ELECTRICAL POWER WHEN HANDLING PUMP OR CONTROLS.

1.3. Motors must be wired for proper voltage. Motor wiring diagram is on motor nameplate. Wire size must limit maximum voltage drop to 10% of nameplate voltage at motor terminals, or motor life and pump performance will be lowered.

1.4. Always use horsepower-rated switches, contactor and starters.

1.5. Motor Protection

1.5.1. Single phase: Thermal protection for single phase units is sometimes built in (check nameplate). If no built-in protection is provided, use a contactor with a proper overload. Fusing is permissible.

1.6 Maximum Operating Limits:

Liquid Temperature: 180°F (82°C)

Working Pressure: 125 PSI

Starts per Hour: 20, evenly distributed.

1.7 Regular inspection and maintenance will increase service life. Base schedule on operating time.

2. INSTALLATION

2.1. Locate pump as near liquid source as possible (below level of liquid for automatic operation).

2.2. Protect from freezing or flooding.

2.3. Allow adequate space for servicing and ventilation.

2.4. All piping must be supported independently of the pump, and must “line-up” naturally.



NEVER DRAW PIPING INTO PLACE BY FORCING THE PUMP SUCTION AND DISCHARGE CONNECTIONS.

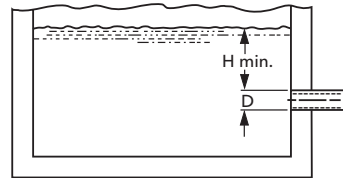


Figure 1

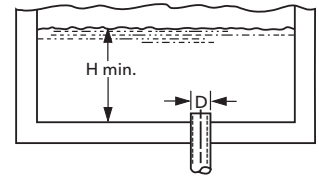


Figure 2

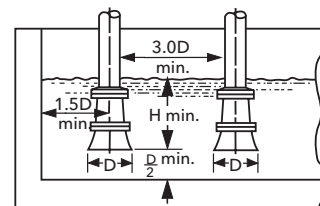


Figure 3

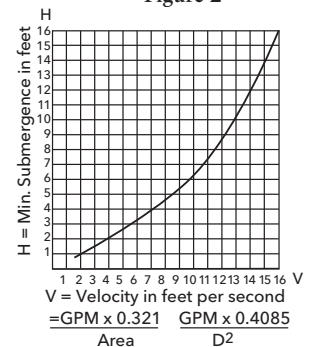


Figure 4

2.5. Avoid unnecessary fittings. Select sizes to keep friction losses to a minimum.

2.6. Units may be installed horizontally, inclined or vertically.



DO NOT INSTALL WITH MOTOR BELOW PUMP. ANY LEAKAGE OR CONDENSATION WILL AFFECT THE MOTOR.

- 2.7. Foundation must be flat and substantial to eliminate strain when tightening bolts. Use rubber mounts to minimize noise and vibration.
- 2.8. Tighten casing hold-down bolts before connecting piping to pump.
- 2.9. No field alignment of pump to motor is necessary as pumps are close-coupled.

3. SUCTION PIPING

- 3.1. Low static suction lift and short, direct suction piping is desired. Consult pump performance curve for *Net Positive Suction Head Required (NPSHR)*, especially for lifts above 15'.
- 3.2. Suction pipe must be at least as large as the suction connection of the pump. Smaller size will degrade performance.
- 3.3. If larger pipe is required, an eccentric pipe reducer (with straight side up) must be installed at the pump.
- 3.4. Installation with pump below source of supply:
 - 3.4.1. Install full flow isolation valve in piping for inspection and maintenance.

CAUTION DO NOT USE SUCTION ISOLATION VALVE TO THROTTLE PUMP.

- 3.5. Installation with pump above source of supply:
 - 3.5.1. Avoid air pockets. No part of piping should be higher than pump suction connection. Slope piping upward from liquid source.
 - 3.5.2. All joints must be airtight.
 - 3.5.3. Foot valve to be used only if necessary for priming, or to hold prime on intermittent service.
 - 3.5.4. Suction strainer open area must be at least triple the pipe area.
- 3.6. Size of inlet from liquid source, and minimum submergence over inlet, must be sufficient to prevent air entering pump through vortexing. See Figures 1 through 4.
- 3.7. Use 3 to 4 wraps of Teflon tape to seal threaded connections.

4. DISCHARGE PIPING

- 4.1. Arrangement must include a check valve located between a gate valve and the pump. The gate valve is for regulation of capacity, or for inspection of the pump or check valve.
- 4.2. If an increaser is required, place between check valve and pump.
- 4.3. Use 3 to 4 wraps of Teflon tape to seal threaded connections.

5. ROTATION

- 5.1. Correct rotation is right-hand (clockwise when viewed from the motor end). Switch power on and off quickly. Observe shaft rotation.

5.1.1. Single-phase motor: Non-reversible

5.1.2. Three-phase motor: Not offered.

6. OPERATION

- 6.1. Before starting, pump must be primed (free of air and suction pipe full of liquid) and discharge valve partially open. Plugs are provided in the casing and valve so pump/suction piping can be filled and/or vented/drained in any pump orientation.
- 6.2. Make complete check after unit is run under operating conditions and temperature has stabilized. Check for expansion of piping.

7. MAINTENANCE

- 7.1. Ball bearings are located in and are part of the motor. They are permanently lubricated. No greasing required.

CAUTION PUMPED LIQUID PROVIDES LUBRICATION. IF PUMP IS RUN DRY, ROTATING PARTS WILL SEIZE AND MECHANICAL SEAL WILL BE DAMAGED. DO NOT OPERATE AT OR NEAR ZERO FLOW. ENERGY IMPARTED TO THE LIQUID IS CONVERTED INTO HEAT. LIQUID MAY FLASH TO VAPOR. ROTATING PARTS REQUIRE LIQUID TO PREVENT SCORING OR SEIZING.

8. DISASSEMBLY

Complete disassembly of the unit will be described. Proceed only as far as required to perform the maintenance work required.

- 8.1. Turn off power.
- 8.2. Drain system and flush if necessary.
- 8.3. Disassembly of Liquid-End:
 - 8.3.1. Remove casing bolts.
 - 8.3.2. Remove motor and remaining Liquid-End assembly from casing (still connected to piping) and position vertically for easier disassembly.
 - 8.3.3. Remove impeller bolt and washer.

CAUTION DO NOT INSERT SCREWDRIVER BETWEEN IMPELLER VANES TO PREVENT ROTATION OF CLOSE-COUPLED UNITS. REMOVE CAP AT OPPOSITE END OF MOTOR. A SCREWDRIVER SLOT OR A PAIR OF FLATS WILL BE EXPOSED. USING THEM WILL PREVENT IMPELLER DAMAGE.

- 8.3.4. Remove impeller by pulling axially.
- 8.3.5. Remove separator plate.
- 8.3.6. Remove shaft sleeve.
- 8.3.7. Remove intermediate stage.
- 8.3.8. Repeat steps 8.3.4 through 8.3.7 for three stage pumps.
- 8.3.9. Remove last impeller.
- 8.3.10. Remove last separator plate.

- 8.3.11. Remove seal retainer.
- 8.3.12. Remove shaft extension using a screwdriver in the slot or flats in the back of the motor to prevent rotation and a wrench to turn extension.
- 8.3.13. Pry off the rotating element of the mechanical seal from the motor shaft by using two (2) regular screw drivers 180° apart and using the motor adapter inner boss as a fulcrum point and then prying seal up.
- 8.3.14. Remove the motor adapter bolts, washers and o-rings.
- 8.3.15. Remove the motor adapter.
- 8.3.16. Remove the stationary element of the mechanical seal by pushing it out from the motor side with a blunt instrument.

9. REASSEMBLY

- 9.1. All parts should be cleaned before assembly.
- 9.2. Refer to parts list to identify required replacement items. Specify pump index or catalog number when ordering parts.
- 9.3. Reassembly is the reverse of disassembly.
- 9.4. Observe the following when reassembling the liquid-end:
 - 9.4.1. All mechanical seal components must be in good condition or leakage may result. Replacement of complete seal assembly, whenever seal has been removed, is good standard practice. It is permissible to use a light lubricant, such as glycerin, to facilitate assembly. Do not contaminate the mechanical seal faces with lubricant.
 - 9.4.2. Inspect the o-rings and replace if damaged. The o-rings may be lubricated with petroleum jelly to ease assembly.
 - 9.4.3. Inspect impellers for wear, degradation or blockage. Clean or replace as necessary.
 - 9.4.4. Inspect iron parts for excessive corrosion or degradation. Replace as necessary.
 - 9.4.5. Inspect stainless steel components for excessive wear or degradation and replace as necessary.
 - 9.4.6. Wear rings contained in the interstage(s) and casing would need to be pressed or pried out and pressed in should they need replacement.
- 9.5. Check reassembled unit for binding and correct as necessary.
- 9.6. Be sure to tighten casing bolts in a criss-cross manner to prevent o-ring binding and cracking of the casing ears. Secure to 35 ft-lbs.

10. TROUBLESHOOTING CHART

MOTOR NOT RUNNING

(See causes 1 through 6)

LITTLE OR NO LIQUID DELIVERED

(See causes 7 through 16)

POWER CONSUMPTION TOO HIGH

(See causes 4, 16, 17, 18, 21)

EXCESSIVE NOISE AND VIBRATION

(See causes 4, 6, 9, 12, 14, 15, 17, 19, 20, 21)

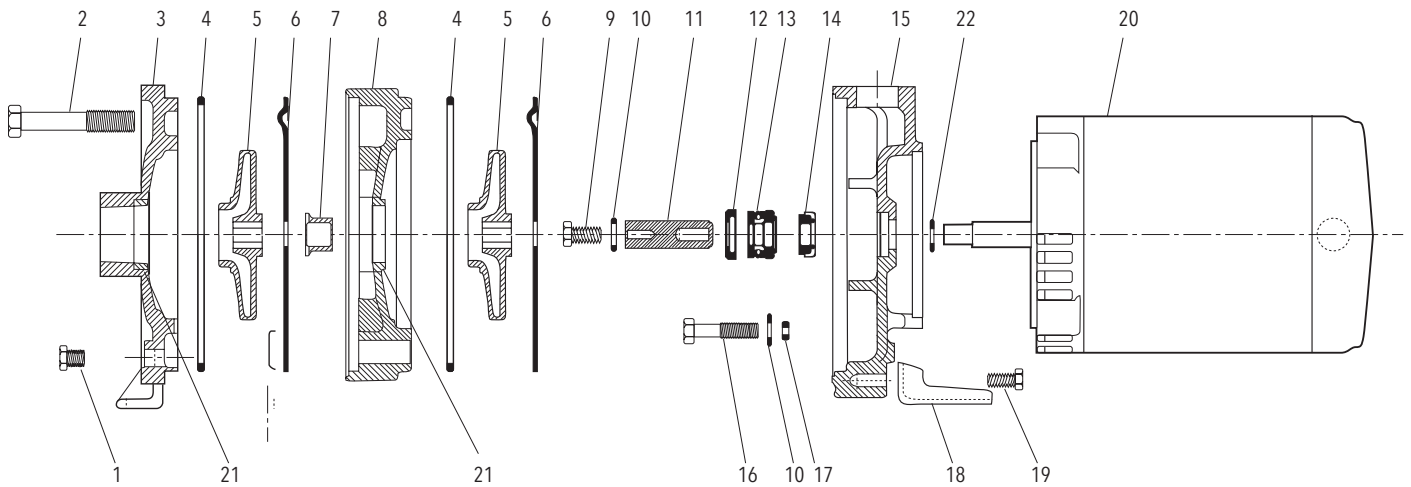
PROBABLE CAUSE

1. Tripped thermal protector
2. Open circuit breaker
3. Blown fuse
4. Rotating parts binding
5. Motor wired improperly
6. Defective motor
7. Not primed
8. Discharge plugged or valve closed
9. Incorrect rotation
10. Foot valve too small, suction not submerged, inlet screen plugged.
11. Low voltage
12. Air or gasses in liquid
13. System head too high
14. NPSHA too low: Suction lift too high or suction losses excessive. Check with vacuum gauge.
15. Impeller worn or plugged
16. Incorrect impeller diameter
17. Head too low, causing excessive flow rate
18. Viscosity or specific gravity too high
19. Worn bearings
20. Pump or piping loose
21. Pump and motor misaligned

PARTS LIST

Item	Part Name	Quantity
1	Pipe Plug ¼" NPT	3
2	Bolt - casing to adapter, 2 stage	4
2	Bolt - casing to adapter, 3 stage	4
3	Casing	1
4	O-Ring - casing and intermediate stage	1 per stage
5	Impeller - ¾, 1 and 1½ HP	2
	Impeller - 2 HP	3
6	Coverplate	(1 per impeller)
7	Sleeve	(1 - 2 stage) (2 - 3 stage)
8	Intermediate Stage	(1 - 2 stage) (2 - 3 stage)
9	Impeller Bolt	1
9, 10, 11, 12	Shaft Extension Assembly	1
10	Washer - impeller (1) and adapter (4)	5
12	Seal Retainer	1
13, 14	Shaft Seal Assembly	1
15	Motor Adapter	1
16	Bolt - adapter to motor	4
17	O-Ring - motor adapter bolts	4
18	Foot	1
19	Bolt - foot to adapter	1
21	Wear Ring	1 per impeller
22	Deflector	1

Motor Codes			
Item	HP	Model	Order No.
20	¾	HSC07	J05853
	1	HSC10	J06853
	1½	HSC15	J07858
	2	HSC20	J08854



COMMERCIAL WARRANTY

For goods sold to commercial buyers, Seller warrants the goods sold to Buyer hereunder (with the exception of membranes, seals, gaskets, elastomer materials, coatings and other "wear parts" or consumables all of which are not warranted except as otherwise provided in the quotation or sales form) will be (i) be built in accordance with the specifications referred to in the quotation or sales form, if such specifications are expressly made a part of this Agreement, and (ii) free from defects in material and workmanship for a period of one (1) year from the date of installation or twelve (12) months from the date of shipment (which date of shipment shall not be greater than eighteen (18) months after receipt of notice that the goods are ready to ship), whichever shall occur first, unless a longer period is specified in the product documentation (the "Warranty").

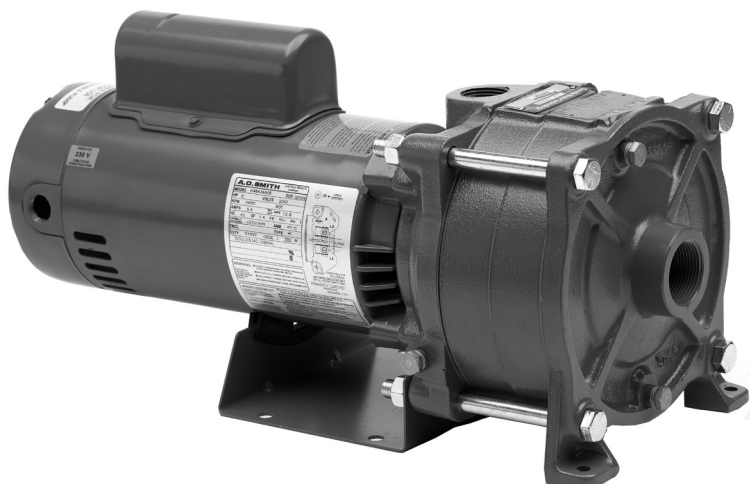
Except as otherwise required by law, Seller shall, at its option and at no cost to Buyer, either repair or replace any product which fails to conform with the Warranty provided Buyer gives written notice to Seller of any defects in material or workmanship within ten (10) days of the date when any defects or non-conformance are first manifest. Under either repair or replacement option, Seller shall not be obligated to remove or pay for the removal of the defective product or install or pay for the installation of the replaced or repaired product and Buyer shall be responsible for all other costs, including, but not limited to, service costs, shipping fees and expenses. Seller shall have sole discretion as to the method or means of repair or replacement. Buyer's failure to comply with Seller's repair or replacement directions shall terminate Seller's obligations under this Warranty and render the Warranty void. Any parts repaired or replaced under the Warranty are warranted only for the balance of the warranty period on the parts that were repaired or replaced. Seller shall have no warranty obligations to Buyer with respect to any product or parts of a product that have been: (a) repaired by third parties other than Seller or without Seller's written approval; (b) subject to misuse, misapplication, neglect, alteration, accident, or physical damage; (c) used in a manner contrary to Seller's instructions for installation, operation and maintenance; (d) damaged from ordinary wear and tear, corrosion, or chemical attack; (e) damaged due to abnormal conditions, vibration, failure to properly prime, or operation without flow; (f) damaged due to a defective power supply or improper electrical protection; or (g) damaged resulting from the use of accessory equipment not sold or approved by Seller. In any case of products not manufactured by Seller, there is no warranty from Seller; however, Seller will extend to Buyer any warranty received from Seller's supplier of such products.

THE FOREGOING WARRANTY IS EXCLUSIVE AND IN LIEU OF ANY AND ALL OTHER EXPRESS OR IMPLIED WARRANTIES, GUARANTEES, CONDITIONS OR TERMS OF WHATEVER NATURE RELATING TO THE GOODS PROVIDED HEREUNDER, INCLUDING WITHOUT LIMITATION ANY IMPLIED WARRANTIES OF MERCHANTABILITY AND FITNESS FOR A PARTICULAR PURPOSE, WHICH ARE HEREBY EXPRESSLY DISCLAIMED AND EXCLUDED. EXCEPT AS OTHERWISE REQUIRED BY LAW, BUYER'S EXCLUSIVE REMEDY AND SELLER'S AGGREGATE LIABILITY FOR BREACH OF ANY OF THE FOREGOING WARRANTIES ARE LIMITED TO REPAIRING OR REPLACING THE PRODUCT AND SHALL IN ALL CASES BE LIMITED TO THE AMOUNT PAID BY THE BUYER FOR THE DEFECTIVE PRODUCT. IN NO EVENT SHALL SELLER BE LIABLE FOR ANY OTHER FORM OF DAMAGES, WHETHER DIRECT, INDIRECT, LIQUIDATED, INCIDENTAL, CONSEQUENTIAL, PUNITIVE, EXEMPLARY OR SPECIAL DAMAGES, INCLUDING BUT NOT LIMITED TO LOSS OF PROFIT, LOSS OF ANTICIPATED SAVINGS OR REVENUE, LOSS OF INCOME, LOSS OF BUSINESS, LOSS OF PRODUCTION, LOSS OF OPPORTUNITY OR LOSS OF REPUTATION.



Xylem Inc.
2881 East Bayard Street Ext., Suite A
Seneca Falls, NY 13148
Phone: (800) 453-6777
Fax: (888) 322-5877
www.gouldswatertechnology.com

Goulds is a registered trademark of Goulds Pumps, Inc. and is used under license.
© 2015 Xylem Inc. IM008 Revision 4 October 2015



Modelo HSC

INSTRUCCIONES DE INSTALACIÓN, FUNCIONAMIENTO Y MANTENIMIENTO



TEMA	PÁGINA
Instrucciones de Seguridad	10
Notas Importantes.....	10
Instalación.....	10
Tubería de Succión	11
Tubería de Descarga	11
Rotación.....	11
Operación	11
Mantenimiento.....	11
Desarmado	12
Rearmado.....	12
Cuadro de Identificación de Problemas.....	13
Lista de Partes	13
Garantía Limitada	14
Declaración de Conformidad.....	24

Información para el propietario

Número de modelo de la bomba: _____

Número de serie de la bomba: _____

Representante: _____

Número telefónico del representante: _____

Fecha de compra: _____

Fecha de Instalación: _____

Lecturas actuales de la puesta en servicio:

1 Ø	3 Ø	L1-2	L2-3	L3-1
Amps: _____	Amps: _____	_____	_____	_____
Voltios: _____	Voltios: _____	_____	_____	_____

INSTRUCCIONES DE SEGURIDAD

PARA EVITAR LESIONES PERSONALES GRAVES O FATALES, Y DAÑOS SIGNIFICATIVOS A LA PROPIEDAD, LEA Y SIGA TODAS LAS INSTRUCCIONES DE SEGURIDAD QUE SE ENCUENTRAN EN ESTE MANUAL O EN LA BOMBA.

ESTE MANUAL TIENE LA FUNCIÓN DE ASISTIRLO EN LA INSTALACIÓN Y OPERACIÓN DE ESTA UNIDAD Y DEBE CONSERVARSE CON LA BOMBA.



Éste es un SÍMBOLO DE ALERTA DE SEGURIDAD. Cuando vea este símbolo sobre la bomba o en el manual, localice una de las siguientes palabras de señalización y esté alerta ante posibles lesiones personales o daños a la propiedad.



PELIGRO Advierte sobre los peligros que PROVOCARÁN lesiones graves, muerte o daños significativos a la propiedad.



ADVERTENCIA Advierte sobre los peligros que PUEDEN PROVOCAR lesiones graves, muerte o daños significativos a la propiedad.



PRECAUCIÓN Advierte sobre los peligros que PROVOCARÁN o PUEDEN PROVOCAR lesiones o daños a la propiedad.

AVISO: INDICA QUE EXISTEN INSTRUCCIONES ESPECIALES MUY IMPORTANTES QUE DEBEN RESPETARSE.

EXAMINE COMPLETAMENTE TODAS LAS INSTRUCCIONES Y ADVERTENCIAS ANTES DE REALIZAR CUALQUIER TRABAJO EN ESTA BOMBA. CONSERVE TODAS LAS CALCOMANÍAS.



Los fluidos peligrosos pueden causar incendios, quemaduras o la muerte.

ESTA UNIDAD NO SE ENCUENTRA DISEÑADA PARA SER USADA CON LÍQUIDOS O GASES INFLAMABLES. ESTOS FLUIDOS PUEDEN ESTAR PRESENTES EN ÁREAS CONTAMINADAS.

DESCRIPCIÓN Y ESPECIFICACIONES:

El modelo HSC es una bomba centrífuga de etapas múltiples, de succión de extremo para el servicio general de transferencia de líquido, aplicaciones de unidades reforzadoras, etc. El extremo de líquido es de hierro fundido, acero inoxidable y compuestos diseñados.

Todas las unidades tienen motores de bastidor NEMA 48, monofásicos, de 115/230 V, de 60 Hz con montaje de cara en C y extensiones de eje roscadas NEMA 56J.

1. IMPORTANTE

- 1.1. Inspeccione la unidad para determinar si está dañada. Notifique cualquier daño al transportista/agente de inmediato.
- 1.2. El suministro eléctrico debe ser un circuito derivado separado con fusibles o cortacircuitos, tamaños de alambre, etc. en cumplimiento con los códigos eléctricos nacionales y locales. Instale un desconectador de todos los circuitos, cerca de la bomba.



PRECAUCIÓN SIEMPRE DESCONECTE EL SUMINISTRO ELÉCTRICO CUANDO MANEJE LA BOMBA O LOS CONTROLES.

- 1.3. Los motores deben cablearse para la tensión apropiada. El diagrama de cableado del motor está en la placa del fabricante del motor. El tamaño del alambre debe limitar la caída máxima de tensión al 10% de la tensión de la placa del fabricante en los terminales del motor; de lo contrario se reducirá la vida útil del motor y disminuirá el rendimiento de la bomba.
- 1.4. Siempre utilice interruptores, contactadores y arrancadores de potencia nominal.
- 1.5. Protección del motor
 - 1.5.1. Monofásico: A veces la protección térmica para unidades monofásicas está incorporada (consulte la placa del fabricante). Si no se proporciona protección incorporada, utilice un contactador con una sobrecarga apropiada. Se permite instalar fusibles.
- 1.6. Límites máximos de operación:
 - Temperatura del líquido: 180°F (82°C)
 - Presión de trabajo: 125 lbs./pulg. cuadrada
 - Arranques por hora: 20, distribuidos uniformemente.
- 1.7. La inspección y el mantenimiento regulares prolongarán la vida de servicio. Base la programación en el tiempo de operación.

2. INSTALACIÓN

- 2.1. Sitúe la bomba lo más cerca posible de la fuente de líquido (por debajo del nivel de líquido para la operación automática).
- 2.2. Proteja la bomba contra la congelación o inundación.
- 2.3. Deje un espacio adecuado para el mantenimiento y la ventilación.
- 2.4. Todas las tuberías deben apoyarse independientemente de la bomba y deben "alinearse" naturalmente.



PRECAUCIÓN NUNCA INSTALE LA TUBERÍA EN POSICIÓN FORZANDO LAS CONEXIONES DE SUCCIÓN Y DE DESCARGA DE LA BOMBA.

- 2.5. Evite el uso de accesorios innecesarios. Seleccione los tamaños para mantener las pérdidas por fricción a un mínimo.
- 2.6. Las unidades pueden instalarse horizontales, inclinadas o verticales.



PRECAUCIÓN NO INSTALAR CON EL MOTOR DEBAJO DE LA BOMBA. CUALQUIER FUGA O CONDENSACIÓN AFECTARÁ EL MOTOR.

- 2.7. El cimiento debe ser plano y substancial para eliminar el esfuerzo cuando se aprieten los pernos. Utilice monturas de caucho para reducir al mínimo el ruido y la vibración.
- 2.8. Apriete los pernos de sujeción de la carcasa antes de conectar las tuberías a la bomba.

2.9. El alineamiento en el campo de la bomba al motor no es necesario ya que las bombas son de acoplamiento cerrado.

3. TUBERÍAS DE SUCCIÓN

- 3.1. Se desea una elevación de succión estática baja y una tubería de succión corta y directa. Consulte la curva de rendimiento de la bomba con respecto a la *carga de succión positiva requerida (NPSHR)*, especialmente para levantamientos de más de 15 pies..
- 3.2. La tubería de succión debe ser al menos del mismo tamaño que la conexión de succión de la bomba. Un tamaño más pequeño degradará el rendimiento.
- 3.3. Si se requiere un tubo más grande, debe instalarse un reductor de tubo excéntrico (con el lado recto hacia arriba) en la bomba.
- 3.4. Instalación con la bomba debajo de la fuente de suministro:
 - 3.4.1. Instale una válvula de aislamiento de flujo completo en la tubería para las operaciones de inspección y mantenimiento.

PRECAUCIÓN NO UTILICE LA VÁLVULA DE AISLAMIENTO DE SUCCIÓN PARA REGULAR LA BOMBA.

- 3.5. Instalación con la bomba sobre la fuente de suministro:
 - 3.5.1. Evite las bolsas de aire. Ninguna parte de la tubería debe estar más alta que la conexión de succión de la bomba. Incline la tubería hacia arriba de la fuente de líquido.
 - 3.5.2. Todas las juntas deben ser herméticas.
 - 3.5.3. Sólo debe usarse una válvula de aspiración si es necesario para el cebado o para retener el cebado en servicio intermitente.
 - 3.5.4. El área abierta del colador de succión debe ser al menos el triple del área del tubo.
- 3.6. El tamaño de la entrada de la fuente de líquido y la sumersión mínima sobre la entrada deben ser suficientes para evitar la entrada de aire a través de un vórtice. Ver las Figuras 1 a 4.

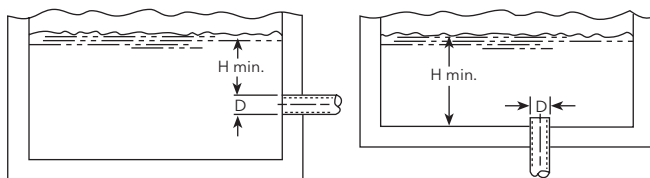


Figura 1

Figura 2

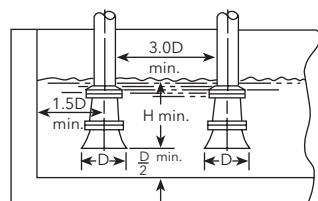


Figura 3

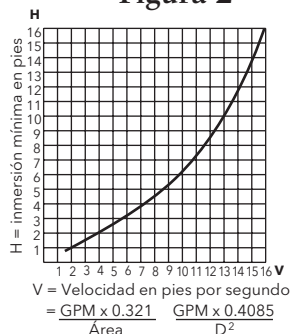


Figura 4

3.7. Aplique tres o cuatro vueltas de cinta de Teflon para sellar las conexiones roscadas.

4. TUBERÍAS DE DESCARGA

- 4.1. El dispositivo debe incluir una válvula de retención situada entre una válvula de compuerta y la bomba. La válvula de compuerta es para regular la capacidad o para inspeccionar la bomba o la válvula de retención.
- 4.2. Si se requiere un aumentador, colóquelo entre la válvula de retención y la bomba.
- 4.3. Aplique tres o cuatro vueltas de cinta de Teflon para sellar las conexiones roscadas.

5. ROTACIÓN

- 5.1. La rotación correcta es hacia la derecha (en el sentido de las agujas del reloj cuando se mira desde el extremo del motor). Encienda y apague el suministro eléctrico rápidamente. Observe la rotación del eje.
 - 5.1.1. Motor monofásico: no reversible
 - 5.1.2. Motor trifásico: No se ofrece.

6. OPERACIÓN

- 6.1. Antes de arrancar, la bomba debe cebarse (sin aire y la tubería de succión debe estar llena de líquido) y la válvula de descarga debe estar parcialmente abierta. Se proporcionan tapones en la carcasa y válvula de manera que la bomba/tubería de succión pueda llenarse y/o ventearse / drenarse en cualquier orientación de la bomba.
- 6.2. Efectúe una revisión completa después de haber hecho funcionar la unidad en las condiciones de operación y después que se haya estabilizado la temperatura. Revise para determinar si se ha expandido la tubería.

7. MANTENIMIENTO

7.1. Los rodamientos están situados en el motor y forman parte del mismo. Están permanentemente lubricados. No se requiere engrasar.

PRECAUCIÓN EL LÍQUIDO BOMBEADO PROPORCIONA LUBRICACIÓN. SI LA BOMBA SE HACE FUNCIONAR SECA, LAS PARTES GIRATORIAS SE AFERRARÁN Y SE DAÑARÁ EL SELLO MECÁNICO. NO HAGA FUNCIONAR LA UNIDAD CON UN FLUJO DE CERO O CERCA DE CERO. LA ENERGÍA APLICADA AL LÍQUIDO SE CONVIERTE EN CALOR. EL LÍQUIDO PODRÍA VAPORIZARSE INSTANTÁNEAMENTE. LAS PARTES GIRATORIAS REQUIEREN LÍQUIDO PARA EVITAR LAS RAYADURAS O AFERRAMIENTO.

8. DESARMADO

Se describirá el desmontaje completo de la unidad.

Desmante sólo lo necesario para realizar el trabajo de mantenimiento requerido.

- 8.1. Apague el suministro eléctrico.
- 8.2. Drene el sistema y enjueáguelo si es necesario.
- 8.3. Desmontaje del extremo de líquido:
 - 8.3.1. Quite los pernos de la carcasa.
 - 8.3.2. Retire el motor y el conjunto restante del extremo de líquido de la carcasa (aún conectado a la tubería) y posiciónelos en sentido vertical para facilitar el desmontaje.
 - 8.3.3. Retire la contratuerca y arandela del impulsor.

PRECAUCIÓN NO INSERTE UN DESTORNILLADOR ENTRE LOS ÁLABES DEL IMPULSOR PARA IMPEDIR LA ROTACIÓN DE LAS UNIDADES DE ACOPLAMIENTO CERRADO. RETIRE LA TAPA DEL EXTREMO OPUESTO DEL MOTOR. UNA RANURA PARA DESTORNILLADOR O UN PAR DE ÁREAS PLANAS QUEDARÁ AL DESCUBIERTO. ÚSELAS PARA EVITAR DAÑAR EL IMPULSOR.
 - 8.3.4. Retire el impulsor halando en sentido axial.
 - 8.3.5. Retire la placa de cubierta.
 - 8.3.6. Retire la camisa del eje.
 - 8.3.7. Retire el mecanismo entre etapas.
 - 8.3.8. Repita los pasos 8.3.4 a 8.3.7 para las bombas de tres etapas.
 - 8.3.9. Retire el último impulsor.
 - 8.3.10. Retire la última placa de cubierta.
 - 8.3.11. Retire el retén del sello.
 - 8.3.12. Retire la extensión del eje con un destornillador en la ranura o en las áreas planas en la parte posterior del motor para impedir la rotación y con una llave para hacer girar la extensión.
 - 8.3.13. Retire el elemento giratorio del sello mecánico del eje del motor con dos (2) destornilladores regulares separados 180° y utilizando el refuerzo interior del motor como punto de fulcro y luego empujando el sello hacia arriba.
 - 8.3.14. Quite los pernos, arandelas y anillos en O del motor.
 - 8.3.15. Retire el adaptador del motor.
 - 8.3.16. Retire el elemento estacionario del sello mecánico empujándolo hacia afuera del lado del motor con un instrumento sin punta.

9. REARMADO

- 9.1. Deben limpiarse todas las partes antes del armado.
- 9.2. Consulte la lista de partes para identificar los artículos de reemplazo requeridos. Especifique el número de índice o de catálogo cuando ordene partes.
- 9.3. Reensamble en el orden inverso del desmontaje.
- 9.4. Observe lo siguiente cuando reensamble el extremo de líquido:
 - 9.4.1. Todos los componentes del sello mecánico deben estar en buenas condiciones o podría producirse fuga. Es una buena práctica reemplazar el conjunto del sello completo cada vez que se haya retirado el sello. Se puede utilizar lubricante poco denso como la glicerina para facilitar el armado. No contamine las caras del sello mecánico con lubricante.
 - 9.4.2. Inspeccione los anillos en O y reemplácelos si están dañados. Los anillos en O pueden lubricarse con gelatina de petróleo para facilitar su instalación.
 - 9.4.3. Inspeccione los impulsores para verificar que no haya desgaste, degradación o bloqueo. Límpielos o reemplácelos, según sea necesario.
 - 9.4.4. Inspeccione las partes de hierro para detectar corrosión o degradación excesiva. Reemplácelas según sea necesario.
 - 9.4.5. Inspeccione los componentes de acero para detectar desgaste o degradación excesiva y reemplácelos según sea necesario.
 - 9.4.6. Los anillos de desgaste contenidos entre las etapas y la carcasa tendrían que presionarse o levantarse hacia afuera y luego presionarse hacia adentro si necesitan reemplazo.
- 9.5. Inspeccione la unidad rearmada para verificar que no haya roce y corríjala según sea requerido.
- 9.6. Asegúrese de apretar los pernos de la carcasa en secuencia cruzada para evitar el atascamiento del anillo en O y el agrietamiento de la carcasa. Apriete los pernos a 35 pie-lbs.

10. CUADRO DE IDENTIFICACIÓN DE PROBLEMAS

EL MOTOR NO ESTÁ FUNCIONANDO
(Ver las causas 1 a 6)

SE ENTREGA POCO O NADA DE LÍQUIDO
(Ver las causas 7 a 16)

EL CONSUMO DE ELECTRICIDAD ES DEMASIADO ALTO
(Ver las causas 4, 16, 17, 18, 21)

RUIDO Y VIBRACIÓN EXCESIVOS
(Ver las causas 4, 6, 9, 12, 14, 15, 17, 19, 20, 21)

CAUSA PROBABLE

1. Protector térmico disparado
2. Cortacircuitos abierto
3. Fusible quemado
4. Roce de las partes giratorias
5. Cableado incorrecto del motor
6. Motor defectuoso
7. Falta de cebado
8. Descarga bloqueada o válvula cerrada

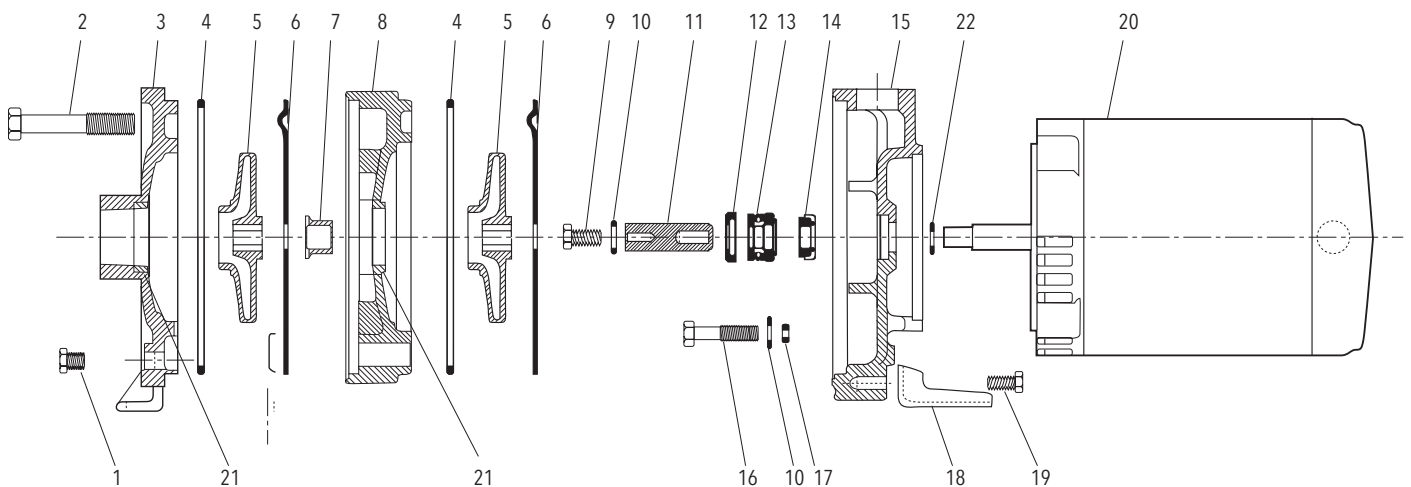
9. Rotación incorrecta
10. Válvula de aspiración demasiado pequeña, la succión no está sumergida, el filtro de entrada está tapado.
11. Baja tensión
12. Aire o gases en el líquido
13. Carga del sistema demasiado alta
14. Carga de succión positiva neta disponible (NPSHA) demasiado baja: Elevación de succión demasiado alta o pérdidas de succión excesivas. Revise con un indicador de vacío.
15. Impulsor gastado o taponado
16. Diámetro incorrecto del impulsor
17. Carga demasiado baja, produciendo una velocidad de flujo excesiva
18. Viscosidad o peso específico del fluido demasiado alto
19. Cojinetes gastados
20. Bomba o tubería suelta
21. Bomba y motor desalineados

LISTA DE PARTES

Artículo	Nombre de la parte	Cantidad
1	Tapón para tubo ¼ pulg. NPT 3	3
2	Perno - de la carcasa al adaptador, 2 etapas	4
2	Perno - de la carcasa al adaptador, 3 etapas	4
3	Carcasa	1
4	Anillo en O - carcasa y etapa intermedia	1 por etapa
5	Impulsor - ¾, 1, 1½ HP	2
	Impulsor - 2 HP	3
6	Placa de cubierta	(1 por impulsor)
7	Camisa	(Etapa 1 - 2) (Etapa 2 - 3)
8	Etapas intermedia	(Etapa 1 - 2) (Etapa 2 - 3)
9	Perno del impulsor	1
9, 10,	Conjunto de extensión del eje - 2 etapas, ¾, 1 y 1½ HP	1
11, 12	Conjunto de extensión del eje - 3 etapas, 2 HP	1
10	Arandela - impulsor (1) y adaptador (4)	4
12	Retén del sello	1

Artículo	Nombre de la parte	Cantidad
13, 14	Conjunto de sello del eje - 1½ y 2 HP	1
15	Adaptador del motor	1
16	Perno - del adaptador al motor	4
17	Anillo en O - pernos del adaptador del motor	4
18	Soporte	1
19	Perno - del soporte al adaptador	1
21	Anillo de desgaste	1 por impulsor
22	Deflector	1

Códigos de motores			
Artículo	Caballos de fuerza	Modelo	Nº de orden
20	¾	HSC07	J05853
	1	HSC10	J06853
	1½	HSC15	J07858
	2	HSC20	J08854



GARANTIE POUR UTILISATION COMMERCIALE

Pour les biens vendus aux acheteurs commerciaux, le vendeur garantit les biens vendus ci-dessous (sauf pour les membranes, joints d'étanchéités, joints, matériaux en élastomère, revêtements et autres « pièces d'usure » ou articles consommables, ces derniers n'étant pas garantis sauf indication contraire sur le formulaire de soumission ou de vente) seront (i) intégrés selon les spécifications indiquées sur la soumission ou le formulaire de vente, si ces spécifications font partie intégrantes de cette entente, et (ii) sont libres de toute défectuosité matériel et de fabrication pendant une période de un (1) an depuis la date d'installation ou douze (12) mois depuis la date d'expédition (la date d'expédition ne sera pas ultérieure à dix-huit (18) mois après la réception de l'avis que les biens sont prêts à être expédiés), la première instance à survenir, à moins qu'une période plus longue n'ait été indiquée sur la documentation du produit (la « Garantie »).

Sauf mention contraire dans les lois, le vendeur, à son choix et sans frais pour l'acheteur, réparera ou remplacera tout produit défectueux en vertu de la garantie pour autant que l'acheteur donne un avis écrit au vendeur de toutes défectuosités matérielles ou de main d'oeuvre dans les dix (10) jours de la première occurrence d'un défaut ou non conformité. En vertu de l'option de réparation ou de remplacement, le vendeur n'est soumis à aucune obligation de retirer ou de faire retirer le produit défectueux ni d'installer ou de payer pour l'installation du produit réparé ou remplacé. L'acheteur ne peut être tenu responsable de tout autre frais, incluant, entre autre, frais de réparation, d'expéditions et dépenses. Le vendeur à son entière discrétion choisira la méthode ou le moyen de réparation ou de remplacement. Le défaut de l'acheteur de se conformer aux directives de réparation ou de remplacement du vendeur conclura les obligations du vendeur en vertu de la présente garantie et annulera la garantie. Toutes pièces réparées ou remplacées en vertu de la garantie seront couvertes uniquement pour la durée de la garantie restante sur les pièces ayant été réparées ou remplacées. Le vendeur n'aura aucune obligation de garantie envers l'acheteur pour tout produit ou pièces du produit ayant été : (a) réparées par une tierce partie autre que le vendeur ou sans l'approbation écrite du vendeur; (b) soumises à une mauvaise utilisation, mauvaise application, négligence, altération, accident ou dommage physique; (c) utilisées de manière contraire aux directives d'installation, d'opération et d'entretien du vendeur; (d) endommagées par une usure normale, corrosion ou produits chimiques; (e) endommagées par des conditions anormales, vibrations, défaut d'une amorce adéquate ou opération sans débit; (f) endommagées par une alimentation électrique défectueuse ou une mauvaise protection électrique; ou (g) endommagées par l'utilisation d'un accessoire n'ayant pas été vendu ou approuvé par le vendeur. Dans le cas de produits n'ayant pas été fabriqués par le vendeur, ce dernier n'offre aucune garantie; cependant le vendeur fera profiter l'acheteur de toute garantie qu'il aura reçu du fournisseur de tels produits.

LA PRÉSENTE GARANTIE EST EXCLUSIVE ET REMPLACE TOUTE AUTRE GARANTIE OU CONDITIONS EXPRESSES OU IMPLICITES DE QUELQUE NATURE SE RAPPORTANT AUX BIENS FOURNIS CI-APRÈS, INCLUSANT, SANS LIMITE, TOUTE GARANTIE IMPLICITE DE QUALITÉ MARCHANDE ET DE CONFORMITÉ À DES FINS PARTICULIÈRES, QUI SONT RÉFUTÉES EXPRESSÉMENT ET EXLUES. SAUF MENTION CONTRAIRE DANS LES LOIS, LE SEUL RECOURS DE L'ACHETEUR ET LA RESPONSABILITÉ DU VENDEUR EN CAS DE BRIS D'UNE DES GARANTIES CI-APRÈS EST LIMITÉ À LA RÉPARATION OU AU REMPLACEMENT DU PRODUIT ET SERA DANS TOUS LES CAS LIMITÉ AU MONTANT PAYÉ PAR L'ACHETEUR POUR LE PRODUIT DÉFECTUEUX. EN AUCUN CAS, LE VENDEUR NE POURRA ÊTRE TENU RESPONSABLE DE TOUTES AUTRES FORMES DE DOMMAGES, QU'IL SOIT DIRECT, INDIRECT, LIQUIDÉ, ACCIDENTEL, CONSÉCUTIF, PUNITIF, EXEMPLAIRE OU DOMMAGES SPÉCIAUX, INCLUANT, ENTRE AUTRES, PERTE DE PROFIT, PERTE D'ÉCONOMIE PRÉVUE OU DE REVENU, PERTE DE RENTRÉE MONÉTAIRE, PERTE DE CLIENTÈLE, PERTE DE PRODUCTION, PERTE D'OPPORTUNITÉ OU PERTE DE RÉPUTATION.



Xylem Inc.
2881 East Bayard Street Ext., Suite A
Seneca Falls, NY 13148
Teléfono: (866) 325-4210
Fax: (888) 322-5877
www.gouldswatertechnology.com

Goulds es una marca registrada de Goulds Pumps, Inc. y se utiliza bajo licencia.
© 2015 Xylem Inc. IM008 Revisión Número 4 Octubre 2015



MODÈLE HSC

DIRECTIVES D'INSTALLATION, D'UTILISATION ET D'ENTRETIEN



SUJET	PAGE
Consignes de Sécurité.....	17
Informations Importantes.....	17
Installation	17
Tuyauterie D'aspiration.....	18
Tuyauterie de Refoulement.....	18
Rotation	18
Utilisation.....	18
Entretien	18
Démontage.....	19
Remontage	19
Diagnostic des Anomalies	20
Liste de Pièces	21
Garantie Limitée.....	24

Informations pour le propriétaire

Numéro de modèle de la pompe : _____

Numéro de série de la pompe : _____

Détaillant : _____

N° de téléphone du détaillant : _____

Date d'achat : _____

Date d'installation : _____

Courant mesuré au démarrage :

1 Ø	3 Ø	L1-2	L2-3	L3-1
A : _____	A : _____	_____	_____	_____
V : _____	V : _____	_____	_____	_____

CONSIGNES DE SÉCURITÉ

AFIN DE PRÉVENIR LES BLESSURES GRAVES OU MORTELLES ET LES DOMMAGES MATÉRIELS IMPORTANTS, LIRE ET SUIVRE TOUTES LES CONSIGNES DE SÉCURITÉ FIGURANT DANS LE MANUEL ET SUR LA POMPE.

LE PRÉSENT MANUEL A POUR BUT DE FACILITER L'INSTALLATION ET L'UTILISATION DE LA POMPE ET DOIT RESTER PRÈS DE CELLE-CI.



Le symbole ci-contre est un SYMBOLE DE SÉCURITÉ employé pour signaler les mots-indicateurs dont on trouvera la description ci-dessous. Sa présence sert à attirer l'attention afin d'éviter les blessures et les dommages matériels.



Préviens des risques qui **VONT** causer des blessures graves, la mort ou des dommages matériels importants.



Préviens des risques qui **PEUVENT** causer des blessures graves, la mort ou des dommages matériels importants.



Préviens des risques qui **PEUVENT** causer des blessures ou des dommages matériels.

AVIS : SERT À ÉNONCER LES DIRECTIVES SPÉCIALES DE GRANDE IMPORTANCE QUE L'ON DOIT SUIVRE.

LIRE SOIGNEUSEMENT CHAQUE DIRECTIVE ET AVERTISSEMENT AVANT D'EFFECTUER TOUT TRAVAIL SUR LA POMPE.

N'ENLEVER AUCUN AUTOCOLLANT DE SÉCURITÉ.



Les fluides dangereux peuvent causer un incendie, des brûlures ou la mort.

APPAREIL NON CONÇU POUR LES LIQUIDES DANGEREUX NI POUR LES GAZ INFLAMMABLES. CES FLUIDES POURRAIENT ÊTRE PRÉSENTS DANS LES INSTALLATIONS DE CONFINEMENT (PUITS COLLECTEURS).

DESCRIPTION et CARACTÉRISTIQUES

La pompe modèle HSC est une pompe centrifuge multi-étagée à aspiration en bout, servant au transfert de liquides de nature générale, à l'augmentation de pression, etc. Les éléments de la tête de pompage sont en fonte, en inox et en composites ouvrés.

La pompe est montée sur un moteur à carcasse NEMA 48, à adaptateur en C et à arbre-rallonge fileté NEMA 56J, alimenté en monophasé de 115/230 V, 60 Hz.

1. INFORMATIONS IMPORTANTES

- 1.1. Inspecter l'appareil et signaler immédiatement tout dommage au transporteur ou au détaillant.
- 1.2. L'alimentation électrique doit être assurée par un circuit de dérivation distinct dont les fusibles ou les disjoncteurs, le calibre des fils, etc. sont conformes aux prescriptions du code provincial ou national de l'électricité. Poser un sectionneur tout conducteur près de la pompe.



ON DOIT TOUJOURS COUPER LE COURANT LORSQUE L'ON EFFECTUE QUELQUE TRAVAIL QUE CE SOIT SUR LA POMPE OU LES COMMANDES.

- 1.3. Le câblage d'alimentation du moteur doit convenir à la tension de fonctionnement. Le schéma de câblage se trouve sur la plaque signalétique du moteur. Les fils doivent avoir un calibre limitant la chute de tension maximale, aux bornes du moteur, à 10 % de la valeur de tension indiquée sur la plaque signalétique, sinon la durée de vie du moteur et les performances de la pompe diminueront.
- 1.4. Il faut toujours employer des contacteurs et des démarreurs de puissance nominale en horse-power (hp).
- 1.5. Protection du moteur
 - 1.5.1. Les moteurs monophasés sont parfois munis d'une protection thermique intégrée (voir la plaque signalétique). Dans le cas contraire, utiliser un contacteur à protection appropriée contre les surcharges. Les dispositifs fusibles sont permis.
- 1.6. Limites d'utilisation maximales
 - Température du liquide : 82 °C (180 °F)
 - Pression : 125 lbf/po²
 - Démarrages par heure : 20, répartis uniformément
- 1.7. Une inspection et un entretien réguliers augmenteront la durée de vie de l'appareil. Établir un programme d'entretien et d'inspection basé sur le temps de fonctionnement.

2. INSTALLATION

- 2.1. Placer la pompe aussi près de la source de liquide que possible (au-dessous du niveau du liquide pour qu'elle fonctionne automatiquement).
- 2.2. Protéger l'appareil contre les inondations et le gel.
- 2.3. Prévoir assez d'espace autour de la pompe pour l'entretien et l'aération.
- 2.4. La tuyauterie doit posséder ses propres supports et « s'aligner » sans contraintes sur la pompe.



POSER LA TUYAUTERIE DE FAÇON À N'APPLIQUER AUCUNE CONTRAINTE SUR LES RACCORDS D'ASPIRATION ET DE REFOULEMENT DE LA POMPE.

- 2.5. Ne poser aucun accessoire ni raccord de tuyauterie superflu. Choisir le calibre qui réduit les pertes de charge (par frottement) au minimum.
- 2.6. La pompe peut être installée à l'horizontale, à la verticale ou sur une surface inclinée.



NE PAS PLACER LE MOTEUR PLUS BAS QUE LA POMPE AFIN DE LE PROTÉGER CONTRE LES FUITES ET L'EAU DE CONDENSATION.

- 2.7. La surface portante (dalle, massif, etc.) doit être plane et solide pour empêcher que le serrage des boulons d'ancrage ne cause de contraintes. Monter l'appareil sur caoutchouc pour réduire le bruit et les vibrations au minimum.

- 2.8. Serrer les boulons d'ancrage du corps de pompe avant de raccorder la tuyauterie à la pompe.
- 2.9. La pompe forme un groupe monobloc avec le moteur et ne requiert donc aucun alignement pompe-moteur sur place.

3. TUYAUTERIE D'ASPIRATION

- 3.1. Une hauteur géométrique d'aspiration réduite et une tuyauterie directe et courte sont souhaitables. Consulter la courbe de performances de la pompe pour obtenir la *hauteur nette d'aspiration requise (NPSHR)*, particulièrement pour les hauteurs dépassant 15 pi.
- 3.2. Le calibre du tuyau d'aspiration doit être au moins égal à celui du raccord d'aspiration de la pompe pour éviter une baisse des performances.
- 3.3. S'il faut un tuyau plus gros, on doit installer un raccord réducteur excentré (le côté non oblique en haut) à la pompe.
- 3.4. Pompe placée plus bas que la source de liquide :
 - 3.4.1. Poser un robinet d'isolement à passage intégral sur le tuyau d'aspiration pour l'inspection et l'entretien.

ATTENTION NE PAS EMPLOYER LE ROBINET D'ISOLEMENT POUR RÉDUIRE LA SECTION DE PASSAGE VERS LA POMPE.

- 3.5. Pompe placée plus haut que la source de liquide :
 - 3.5.1. Afin de prévenir les poches d'air, aucun élément de la tuyauterie d'aspiration ne devrait être plus haut que le raccord d'aspiration de la pompe. Donner à la tuyauterie une inclinaison vers le haut à partir de la source de liquide.
 - 3.5.2. Chaque joint doit être étanche.
 - 3.5.3. N'employer un clapet de pied que s'il est requis pour amorcer la pompe ou la maintenir amorcée pendant les arrêts.
 - 3.5.4. La section de passage de la crépine du tuyau d'aspiration doit être au moins le triple de celle du tuyau.

- 3.6. Le diamètre (d) et la hauteur d'immersion minimale (h min.) de l'entrée du tuyau d'aspiration doivent être suffisants pour empêcher l'aspiration d'air par vortex (v. fig. 1 à 4).
- 3.7. Enrouler les raccords filetés de 3 ou 4 couches de ruban de téflon pour les étancher.

4. TUYAUTERIE DE REFOULEMENT

- 4.1. L'installation doit comporter un robinet-vanne, ainsi qu'un clapet de non-retour placé entre le robinet-vanne et la pompe. Le robinet-vanne sert à la régularisation du débit et à l'inspection de la pompe et du clapet de non-retour.
- 4.2. Si un raccord agrandisseur est nécessaire, le poser entre le clapet de non-retour et la pompe.
- 4.3. Enrouler les raccords filetés de 3 ou 4 couches de ruban de téflon pour les étancher.

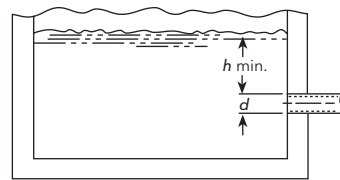


Figure 1

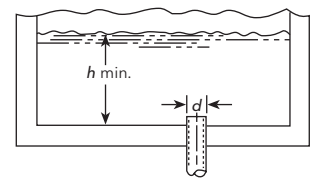


Figure 2

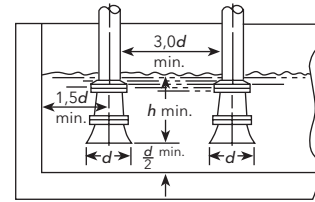


Figure 3

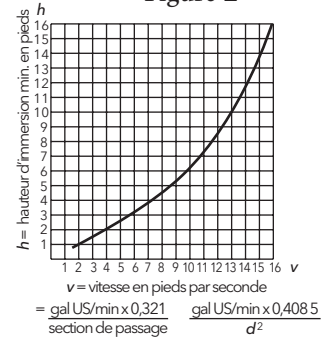


Figure 4

5. SENS DE ROTATION

- 5.1. La pompe doit tourner en sens horaire (vers la droite, vue de l'extrémité du moteur). Démarrer et arrêter la pompe immédiatement tout en observant le sens de rotation de l'arbre.
 - 5.1.1. Le sens de rotation des moteurs monophasés est irréversible.
 - 5.1.2. Les moteurs triphasés, dont le sens de rotation peut être inversé, ne sont pas offerts avec la HSC.

6. UTILISATION

- 6.1. Avant de mettre la pompe en service, on doit l'amorcer (pour en chasser l'air), ainsi que le tuyau d'aspiration, et entrouvrir le robinet de refoulement. Le corps de pompe et le robinet sont munis de bouchons de mise à l'air libre (d'amorçage) ou (et) de vidange permettant l'amorçage de la pompe, qu'elle soit horizontale, verticale ou inclinée.
- 6.2. Faire fonctionner l'appareil dans des conditions normales jusqu'à ce que sa température se soit stabilisée, puis vérifier tout le système. Vérifier également la dilatation de la tuyauterie.

7. ENTRETIEN

- 7.1. Les roulements à billes sont situés à l'intérieur du moteur et sont lubrifiés à vie. Aucun graissage n'est requis.

ATTENTION LE LIQUIDE POMPÉ SERT DE LUBRIFIANT. SI LA POMPE TOURNAIT À SEC, LES PIÈCES MOBILES GRIPPERAIENT, ET LA GARNITURE MÉCANIQUE S'ENDOMMAGERAIT. IL NE FAUT DONC PAS FAIRE MARCHER LA POMPE LORSQUE LE DÉBIT EST NUL OU PRESQUE, CAR LE LIQUIDE ABSORBERAIT LA CHALEUR PRODUITE PAR FROTTEMENT ET POURRAIT SE CHANGER RAPIDEMENT EN VAPEUR. LES PIÈCES MOBILES DOIVENT ÊTRE LUBRIFIÉES PAR LE LIQUIDE POUR NE PAS S'ENDOMMAGER NI GRIPPER.

8. DÉMONTAGE

Le démontage complet de la pompe est décrit ci-dessous. Ne démonter que ce qui permet d'effectuer l'entretien nécessaire.

8.1. Couper le courant.

8.2. Vidanger le système. Le rincer au besoin.

8.3. Démontage de la tête de pompage :

8.3.1. Enlever les vis du corps de pompe.

8.3.2. Séparer l'ensemble d'entraînement des roues (moteur et organes de pompage) d'avec le corps de pompe (celui-ci reste fixé à la tuyauterie), et placer l'ensemble à la verticale pour en faciliter le démontage.

8.3.3. Déposer le vis et la rondelle de roues.

ATTENTION NE PAS INSÉRER DE TOURNEVIS ENTRE LES AUBES DES ROUES POUR EMPÊCHER L'ARBRE DE TOURNER : ENLEVER LE COUVERCLE D'EXTRÉMITÉ DU MOTEUR ET UTILISER LA FENTE OU LES MÉPLATS DE BLOCAGE DE L'ARBRE. ON PRÉVIENDRA AINSI L'ENDOMMAGEMENT DES ROUES.

8.3.4. Tirer sur la roue pour l'enlever de l'arbre.

8.3.5. Déposer la plaque séparatrice.

8.3.6. Retirer la chemise d'arbre.

8.3.7. Enlever le corps d'étage intermédiaire.

8.3.8. Répéter les étapes 8.3.4. à 8.3.7. pour les pompes à trois étages.

8.3.9. Enlever la dernière roue.

8.3.10. Déposer la dernière plaque séparatrice.

8.3.11. Retirer l'étrier de retenue de la garniture mécanique.

8.3.12. Avec un tournevis ou un autre outil approprié, bloquer l'arbre de moteur par la fente ou les méplats précités, puis dévisser l'arbre-rallonge avec une clé.

8.3.13. À l'aide de deux (2) tournevis plats utilisés comme leviers dans un angle de 180° entre le bossage interne (point d'appui) de l'adaptateur de moteur et l'élément mobile de la garniture, retirer l'élément mobile.

8.3.14. Déposer les vis de fixation de l'adaptateur de moteur, les rondelles et les joints toriques.

8.3.15. Enlever l'adaptateur de moteur.

8.3.16. Avec un outil de forme et de dimension appropriées, pousser l'élément fixe de la garniture hors de son siège par le côté moteur de l'adaptateur.

9. REMONTAGE

9.1. Chaque pièce devrait être nettoyée avant le remontage.

9.2. Voir la liste de pièces de rechange pour déterminer celles qui sont requises. Préciser le numéro de pièce ou de catalogue de la pompe lorsque l'on commande des pièces.

9.3. Le remontage se fait dans l'ordre inverse du démontage.

9.4. Observer les directives ci-après pendant le remontage de la tête de pompage :

9.4.1. Tous les composants de la garniture mécanique doivent être en bon état pour empêcher les fuites. Le remplacement de la garniture en entier est une pratique courante appropriée chaque fois que la garniture est enlevée. On peut utiliser un lubrifiant léger tel que la glycérine pour faciliter l'assemblage. Ne pas contaminer les surfaces de la garniture mécanique avec le lubrifiant.

9.4.2. Inspecter les joints toriques et les remplacer s'ils sont endommagés. On peut employer du pétrolatum (vaseline) pour en faciliter la pose.

9.4.3. Vérifier si les roues sont engorgées, usées ou détériorées. Les nettoyer ou les remplacer au besoin.

9.4.4. Inspecter les pièces en fer et les remplacer si elles sont trop corrodées ou dégradées.

9.4.5. Vérifier si les pièces en inox sont trop usées ou détériorées. Les remplacer au besoin.

9.4.6. Pour remplacer la bague d'usure du corps de pompe ou du (des) corps d'étage intermédiaire(s), on devra probablement utiliser une presse.

9.5. Vérifier si les pièces mobiles de la tête de pompage grippent et, au besoin, apporter les correctifs appropriés.

9.6. Voir à serrer les vis du corps de pompe uniformément et en croix à 35 lbf·pi pour éviter le pinçage du joint torique et le bris des oreilles de jonction du corps de pompe.

10. DIAGNOSTIC DES ANOMALIES

NON-FONCTIONNEMENT DU MOTEUR

(V. causes probables 1 à 6)

DÉBIT DE LIQUIDE FAIBLE OU NUL

(V. causes probables 7 à 16)

CONSOMMATION D'ÉNERGIE EXCESSIVE

(V. causes probables 4, 16, 17, 18 et 21)

VIBRATION ET BRUIT EXCESSIFS

(V. causes probables 4, 6, 9, 12, 14, 15, 17, 19, 20 et 21)

CAUSE PROBABLE

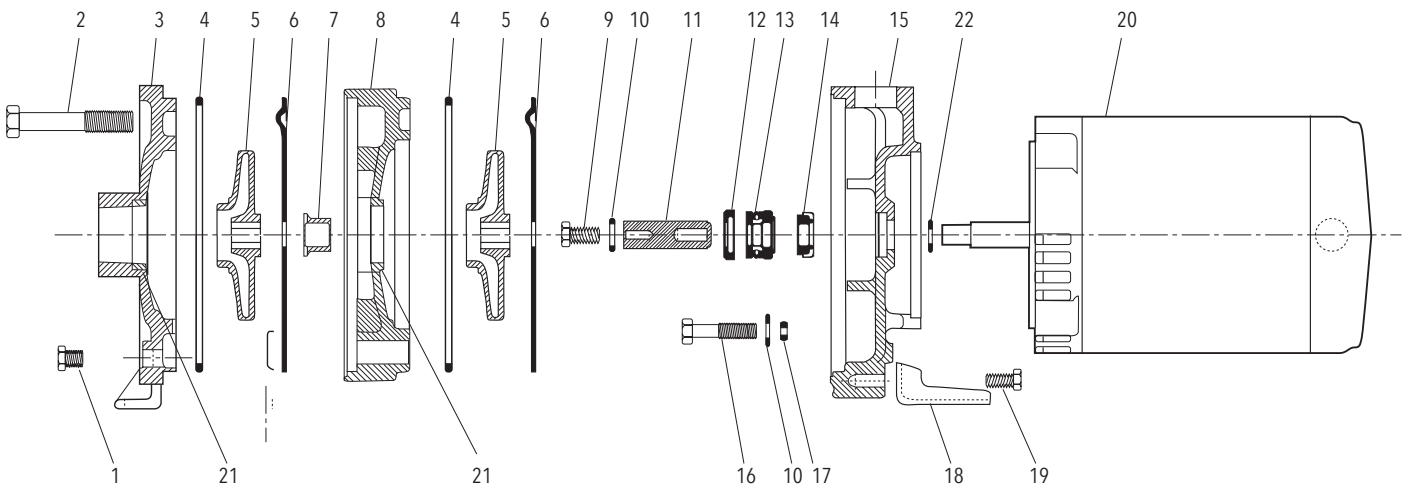
1. Protecteur thermique déclenché
2. Disjoncteur ouvert
3. Fusible sauté
4. Pièces mobiles grippées
5. Moteur mal connecté
6. Moteur défectueux
7. Pompe non amorcée
8. Tuyau de refoulement obstrué ou robinet fermé
9. Mauvais sens de rotation
10. Clapet de pied trop petit, entrée de tuyau d'aspiration non immergée, crépine de tuyau d'aspiration obstruée
11. Basse tension électrique
12. Présence d'air ou de gaz dans le liquide
13. Hauteur de charge trop élevée du système
14. Hauteur nette d'aspiration disponible (NPSHA) trop faible : hauteur ou perte d'aspiration excessives — à vérifier avec un vacuomètre
15. Roues usées ou engorgées
16. Diamètre de roue inapproprié
17. Hauteur de charge trop faible : débit excessif
18. Viscosité ou densité trop élevées
19. Roulements usés
20. Pompe ou tuyauterie mal assujetties
21. Pompe et moteur désalignés

LISTE DE PIÈCES DE RECHANGE

Article	Nom de pièce	Quantité
1	Bouchon de tuyau, ¼ po, NPT	3
2	Vis (adaptateur-corps de pompe, 2 ou 3 étages)	4
3	Corps de pompe	1
4	Joint torique (corps de pompe-corps d'étage intermédiaire)	1 par étage
5	Roue (pompes de ¾, 1 et 1½ hp)	2
	Roue (pompes de 2 hp)	3
6	Plaque séparatrice	1 par roue
7	Chemise d'arbre	1 (2 étages)
		2 (3 étages)
8	Corps d'étage intermédiaire	1 (2 étages)
		2 (3 étages)
9	Vis de roues	1
9, 10, 11 et 12	Ensemble arbre-rallonge	1

Article	Nom de pièce	Quantité
10	Rondelle (de roues : 1, d'adaptateur : 4)	5
12	Étrier de retenue de la garniture mécanique	1
13 et 14	Garniture mécanique	1
15	Adaptateur de moteur	1
16	Vis (moteur-adaptateur de moteur)	4
17	Joint torique (vis de fixation moteur-adaptateur)	4
18	Patte	1
19	Vis (patte-adaptateur de moteur)	1
20	Moteur (v. table Codes de moteur)	1
21	Bague d'usure	1 par étage
22	Défecteur	1

Codes de moteur			
Article	hp	Modèle	N° de catalogue
20	¾	HSC07	J05853
	1	HSC10	J06853
	1½	HSC15	J07858
	2	HSC20	J08854



GARANTÍA COMERCIAL

Para los productos vendidos a compradores comerciales, el Vendedor garantiza que los productos vendidos al Comprador en virtud del presente (con excepción de membranas, sellos, juntas, materiales de elastómero, revestimientos y otras "partes de desgaste" o consumibles, que no se garantizan, con excepción de lo dispuesto por el contrario en la cotización o formulario de venta) (i) se construirán de acuerdo con las especificaciones referidas en la cotización o formulario de venta, si tales especificaciones se realizan expresamente como parte de este Acuerdo, y (ii) están libres de defectos en material y mano de obra por un período de un (1) año desde la fecha de instalación o doce (12) meses desde la fecha de envío (y tal fecha de envío no deberá ser posterior a dieciocho (18) meses posteriores a la recepción del aviso que los productos están listos para ser enviados), lo que ocurra primero, a menos que se especifique un período mayor en la documentación del producto (la "Garantía").

Con excepción de lo requerido por ley, el Vendedor, a su opción y sin costo alguno para el Comprador, reparará o reemplazará el producto que no se ajuste a la Garantía en tanto que el Comprador envíe un aviso escrito al Vendedor sobre todo defecto en material o mano de obra dentro de diez (10) días de la fecha en que aparecen por primera vez los defectos o no conformidades. Según la opción de reparación o reemplazo, el Vendedor no estará obligado a remover o pagar la remoción del producto defectuoso ni instalar o pagar la instalación del producto reemplazado o reparado y el Comprador será responsable de todos los demás costos, que incluyen, entre otros, los costos de servicio, aranceles y gastos de envío. El Vendedor tendrá la exclusiva facultad de decisión con respecto al método o medio de reparación o reemplazo. El incumplimiento del Comprador de las instrucciones de reparación o reemplazo del Vendedor rescindirá las obligaciones del Vendedor en virtud de esta Garantía y anulará esta Garantía. Toda pieza reparada o reemplazada en virtud de la Garantía es garantizada solo por el resto del período de garantía por las piezas reparadas o reemplazadas. El Vendedor no tendrá obligaciones de garantía frente al Comprador con respecto a ningún producto o pieza de un producto que haya sido: (a) reparado por terceros que no sean el Vendedor o sin la aprobación escrita del Vendedor; (b) sujeto a uso incorrecto, aplicación incorrecta, descuido, alteración, accidente o daño físico; (c) usado de forma contraria a las instrucciones del Vendedor para la instalación, operación y mantenimiento; (d) dañado por el uso y desgaste normal, corrosión o ataque químico; (e) dañado debido a condiciones anormales, vibración, falta de cebado correcto o funcionamiento sin flujo; (f) dañado debido a una fuente de alimentación defectuosa o protección eléctrica incorrecta; o (g) dañado debido al uso de equipos accesorios no vendidos o aprobados por el Vendedor. En el caso de productos no fabricados por el Vendedor, no hay garantía del Vendedor; sin embargo, el Vendedor extenderá al Comprador toda garantía recibida del proveedor del Vendedor de tales productos.

LA GARANTÍA ANTERIOR ES EXCLUSIVA Y REEMPLAZA TODA OTRA GARANTÍA, CONDICIÓN O TÉRMINO EXPRESO O IMPLÍCITO DE CUALQUIER NATURALEZA RELACIONADO CON LOS PRODUCTOS PROVISTOS EN VIRTUD DEL PRESENTE, INCLUYENDO, SIN CARÁCTER LIMITATIVO, LAS GARANTÍAS IMPLÍCITAS DE COMERCIALIZACIÓN E IDONEIDAD PARA UN PROPÓSITO EN PARTICULAR, QUE POR EL PRESENTE SE RECHAZAN Y EXCLUYEN EXPRESAMENTE. CON EXCEPCIÓN DE LO DISPUESTO POR LA LEY EN CONTRARIO, EL EXCLUSIVO REMEDIO DEL COMPRADOR Y LA RESPONSABILIDAD TOTAL DEL VENDEDOR POR EL INCUMPLIMIENTO DE ALGUNA DE LAS GARANTÍAS ANTERIORES SE LIMITA A REPARAR O REEMPLAZAR EL PRODUCTO Y EN TODO CASO SE LIMITARÁ AL IMPORTE PAGADO POR EL COMPRADOR POR EL PRODUCTO DEFECTUOSO. EN NINGÚN CASO EL VENDEDOR SERÁ RESPONSABLE POR OTRA FORMA DE DAÑOS, YA SEA DIRECTOS, INDIRECTOS, LIQUIDADOS, INCIDENTALES, RESULTANTES, PUNITIVOS, EJEMPLARES O ESPECIALES, INCLUYENDO, ENTRE OTROS, LA PÉRDIDA DE GANANCIAS, LA PÉRDIDA DE AHORROS ANTICIPADOS O GANANCIAS, LA PÉRDIDA DE INGRESOS, LA PÉRDIDA DEL NEGOCIO, LA PÉRDIDA DE PRODUCCIÓN, LA PÉRDIDA DE OPORTUNIDAD O LA PÉRDIDA DE REPUTACIÓN.



Xylem Inc.
2881 East Bayard Street Ext., Suite A
Seneca Falls, NY 13148
Téléphone: (866) 325-4210
Télécopie: (888) 322-5877
www.gouldswatertechnology.com

Goulds est une marque déposée de Goulds Pumps, Inc. et est utilisé sous le permis.
© 2015, Xylem Inc. IM008 Révision numéro 4 Octobre 2015