

G-Cube

SUMP PUMP BASIN

RELIABLE PERFORMANCE IN A COMPACT, CORROSION RESISTANT DESIGN

FEATURES

- Capable of running dry without damage to components
- Severe rated oil and water resistant power cable
- Easy to install
- Bolted on, water tight cover
- Durable, corrosion-resistant structural foam
- Lightweight design
- Compact size and design to fit squarely under cabinets and in corners
- Offered with the GSP sump pump
- Robust cast iron housing
- Reliable mechanical switch with solid float
- Premium silicon carbide/silicon carbide seal (standard)

APPLICATIONS

Specifically designed for residential, light commercial and construction applications such as:

- Laundry trays
- Wet bar sinks
- Air conditioning or dehumidifier condensate
- Residential dishwashers
- Beautician sinks

SPECIFICATIONS

Pump:

- Maximum solid size: ½"
- Discharge size: 1½" NPT Thread
- Stainless steel fasteners
- Power cord: NEMA three prong grounding plug

GCUBE0311 & GCUBE0311-25:

- Includes GSP0311 or GSP0311-25 pump, 1/3 hp
- Maximum capacity: 43 gpm (@ 4 ft head)
- Maximum total head: 22 feet
- Stainless steel fasteners
- Power cord: 9' (GSP0311) or 25' (GSP0311-25) with NEMA three prong grounding plug

ASSEMBLED COMPONENTS

Pumps:

½" solids handling sump pump

Three models:

- GCUBE0311, 1/3 hp
- GCUBE0311-25, 1/3 hp
- GCUBE0511, 1/2 hp

Basin: corrosion-resistant structural foam honeycomb bottom design provides extra strength, 6 gallon, water tight cover with built-in threaded inlet, vent and discharge connections for simple installation.

Cord grommet for power cord sealing.

AGENCY LISTINGS



Tested to UL 778 and CSA 22.2 108 Standards
By Canadian Standards Association
File #LR38549

GCUBE0511:

- Includes GSP0511 pump, 1/2 hp
- Maximum capacity: 71 gpm (@ 10 ft head)
- Maximum total head: 27 feet
- Stainless steel fasteners
- Power cord: 15' long with NEMA three prong grounding plug

Motor (1/3 hp):

- HP: .33
- Volts: 115,1Ø
- Hertz: 60
- Maximum amps: 10

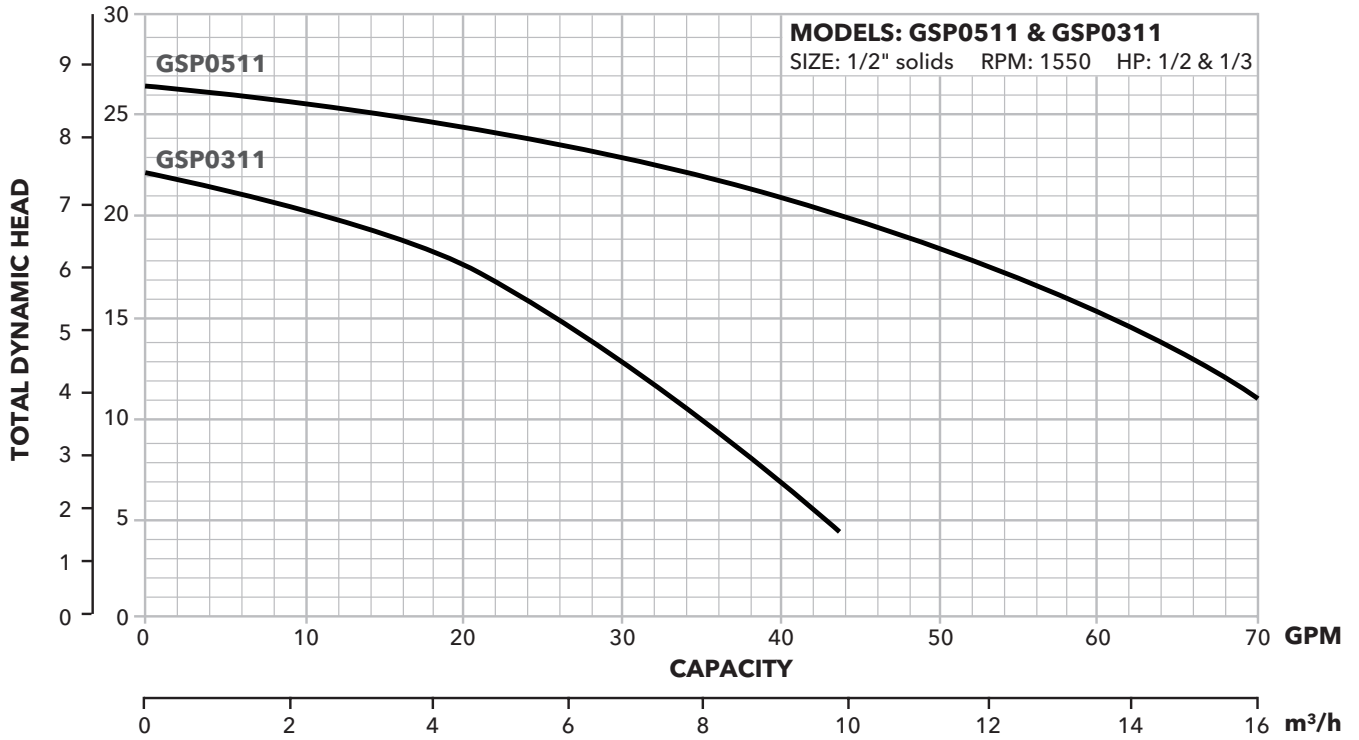
Motor (1/2 hp):

- HP: .5
- Volts: 115,1Ø
- Hertz: 60
- Maximum amps: 8

Basin:

- Six gallon structural foam basin
- Dimensions: 17" diameter x 13⅞" high
- 1½" NPT threaded vent, discharge and inlet connections
- 1½" schedule 40 PVC discharge pipe (internal)

METERS FEET



GSP0311 (1/3 HP) PERFORMANCE RATINGS

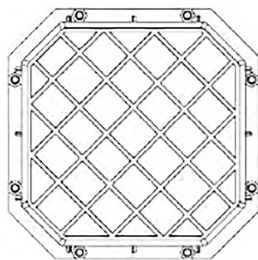
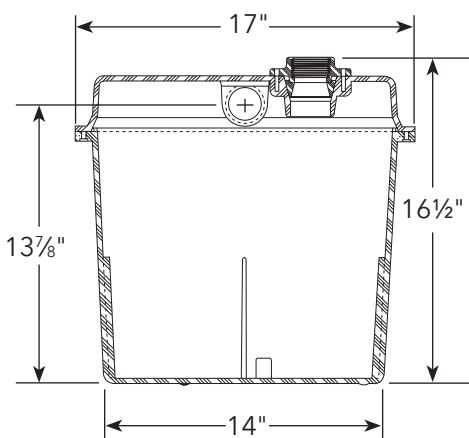
Total Head (feet of water)	GPM	GPH
4	43	2580
10	34	2040
15	25	1500
20	10	600

GSP0511 (1/2 HP) PERFORMANCE RATINGS

Total Head (feet of water)	GPM	GPH
10	71	4260
15	56	3360
20	38	2280
23	20	1200

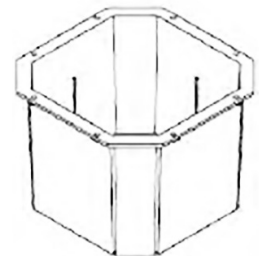
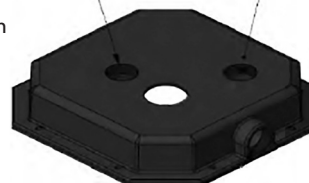
DIMENSIONS

Corrosion Resistant Basin



Honeycomb design bottom

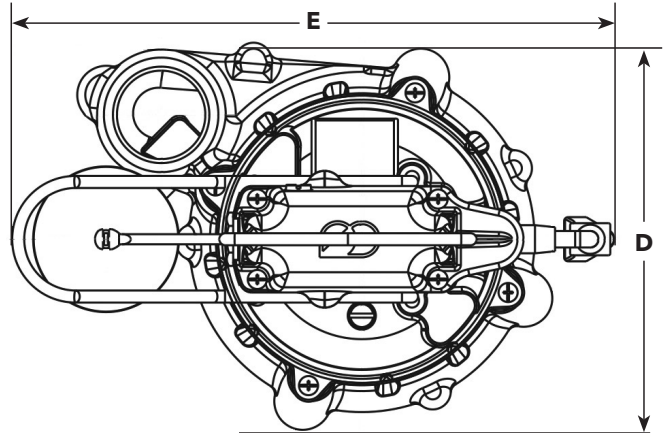
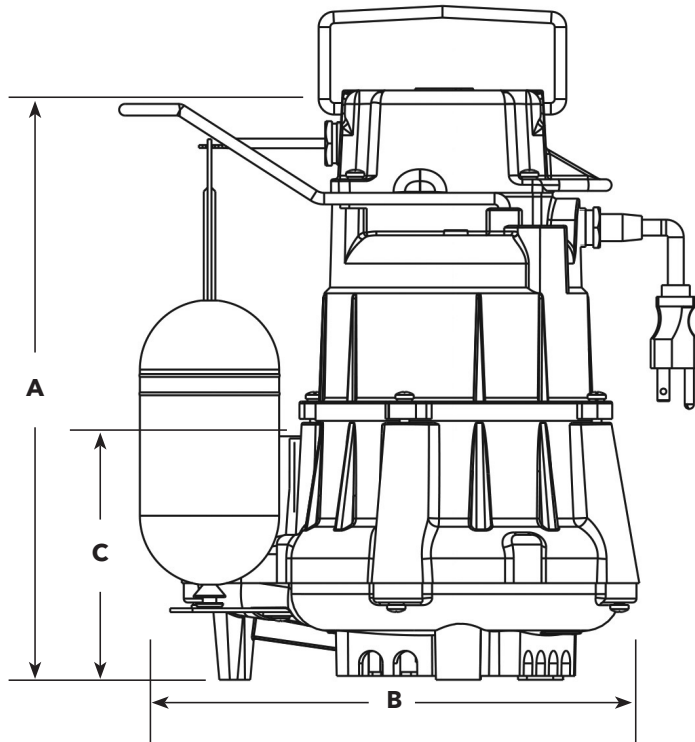
2 x Ø 1 3/4" thru all 1 1/2" NPT
Ø 1 7/8" x 90°, near side



NOTE: Weight = 5.83 lbs.

DIMENSIONS

(All dimensions are in inches. Do not use for construction purposes.)



	A	B	C	D	E
GSP0311	10.2"	11.8"	3.25"	7.5"	11.8"
GSP0511	12"	10.6"	5"	7.4"	10.6"

Xylem |'zīləm|

- 1) The tissue in plants that brings water upward from the roots;
- 2) a leading global water technology company.

We're a global team unified in a common purpose: creating advanced technology solutions to the world's water challenges. Developing new technologies that will improve the way water is used, conserved, and re-used in the future is central to our work. Our products and services move, treat, analyze, monitor and return water to the environment, in public utility, industrial, residential and commercial building services settings. Xylem also provides a leading portfolio of smart metering, network technologies and advanced analytics solutions for water, electric and gas utilities. In more than 150 countries, we have strong, long-standing relationships with customers who know us for our powerful combination of leading product brands and applications expertise with a strong focus on developing comprehensive, sustainable solutions.

For more information on how Xylem can help you, go to www.xylem.com

xylem
Let's Solve Water

Xylem Inc.
Phone: (866) 325-4210
Fax: (888) 322-5877
xylem.com/goulds

Goulds is a registered trademark of Goulds Pumps, Inc. and is used under license.
© 2019 Xylem Inc. BGCUBE June 2019