



# AGS Series

AXIAL GRINDER PUMPS



### FEATURES

**Design:** Capable of grinding domestic sewage in the modern wastewater stream.

**Cutter System:** Stainless steel, axial lobe-cutter design with 8-hole cutting plate, capable of 4.9 million bites per hour and TDH up to 120 feet.

**Impeller:** Cast Iron semi open 2 vane impeller.

**Casing:** Cast iron, volute type for high efficiency. Adaptable for guide rail system.

**Motor:** Fully submerged in oil-filled chamber. High grade turbine oil surrounds motor for more efficient heat dissipation, permanent lubrication of bearings and mechanical seal, and protection against outside environment.

**Motor Shaft:** 300 series stainless steel.

**Designed for Continuous Operation:** Pump ratings are within the motor manufacturer's recommended working limits, can be operated continuously without damage when fully submerged.

**Bearings:** Upper and lower single row sealed ball bearings for precision positioning of parts and to carry all radial and thrust loads.

**Mechanical Seal:** Hardfaced silicon carbide on silicon carbide for longer life, stainless steel metal parts, BUNA-N elastomers.

**Power Cable:** Severe duty rated, oil and water resistant. Epoxy seal on motor end provides secondary moisture barrier in case of outer jacket damage and to prevent oil wicking.

**O-Ring:** Assures positive sealing against contaminants and oil leakage.

**Paint:** Electro-coat paint process protects all casting surfaces.

May be used with optional guide rail. See Fittings or Pump Removal Systems.

### AGENCY LISTINGS



Tested to UL 778 and CSA 22.2 108 Standards  
By Canadian Standards Association

### APPLICATIONS

Designed for residential/light commercial/small office sewage (2" pump replacement and new construction) or anywhere modern wastewater flushables are creating clogging issues.

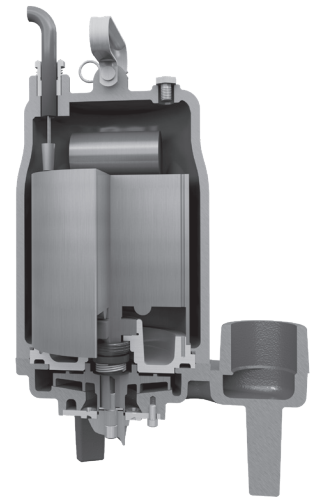
### SPECIFICATIONS

#### Pump:

- Capacities: to 53 gpm
- Total heads: to 120' TDH
- Temperature: Class F insulation - 104°F (40°C) maximum continuous, 140°F (60°C) maximum intermittent
- Single mechanical seal: silicon carbide rotary/silicon carbide stationary, 300 series stainless steel metal parts, BUNA-N elastomers
- Fasteners: 300 series stainless steel
- Axial cutter and plate: 440C hardened stainless steel

#### Motor:

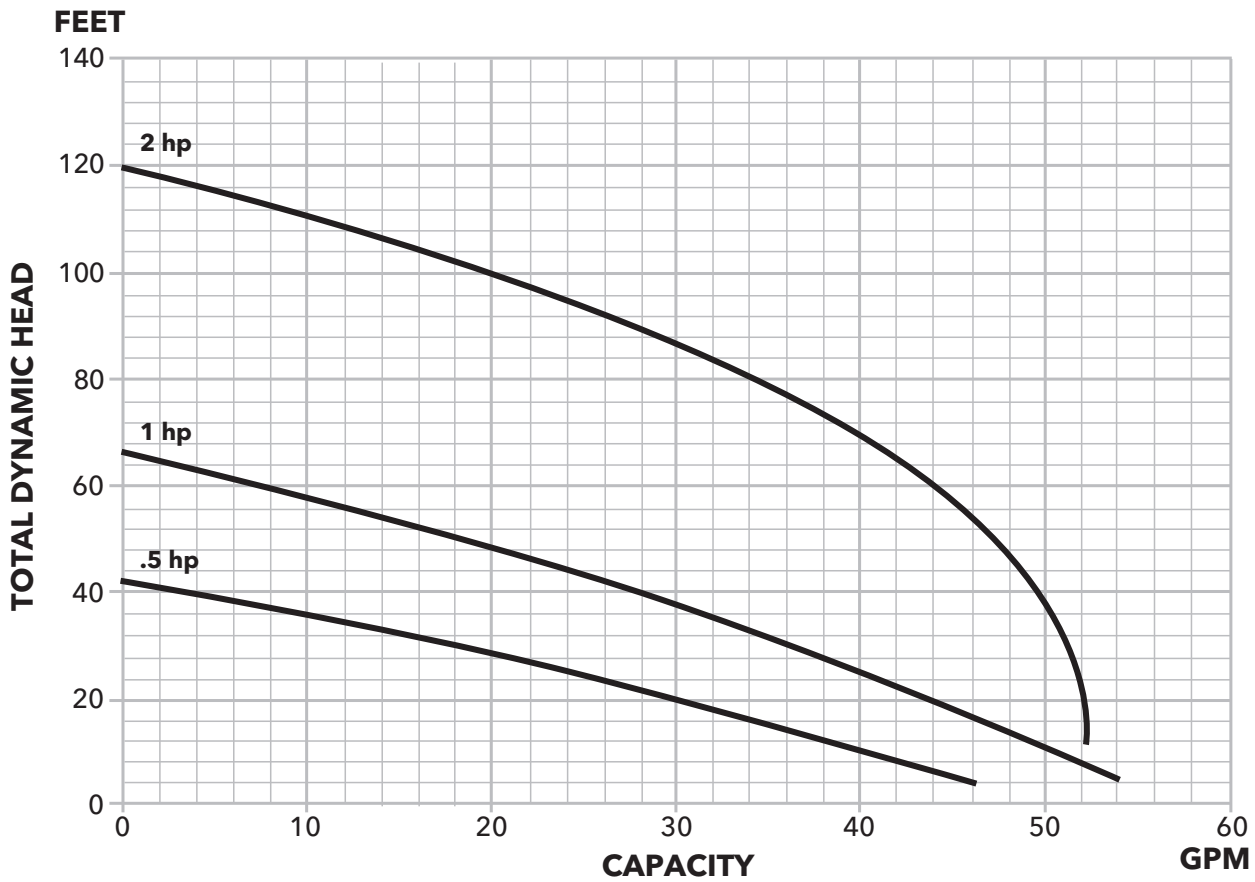
- Single-phase motor with on winding thermal protector. No external capacitor kits required.
- Class F insulation
- Shaft: 300 series stainless steel threaded design
- Bearings: Single row sealed ball bearings, upper and lower
- Power cord with a 115V or 230V NEMA three prong grounding plug. Allows connection to a piggyback float switch. 20 foot long cable.



### MODEL INFORMATION

Order Number	HP	Phase	Volts	RPM	Operation	Maximum Amps	Discharge Size	Impeller Diameter	Power Cord	Weight (lbs.)
AGS0511	0.5	1	115	3500	Manual*	9	2"	3.5"	20' SJTOW with NEMA plug	65
AGS0512			208-230			4.5				
AGS1011	1		115			11		4.25"		
AGS1012			208-230			5.5				
AGS2012	2							1.25"		

\* Use piggyback float for automatic operation

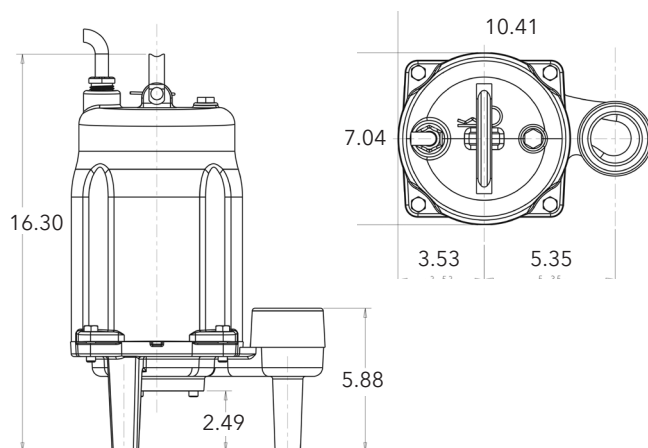


### MOTOR DATA

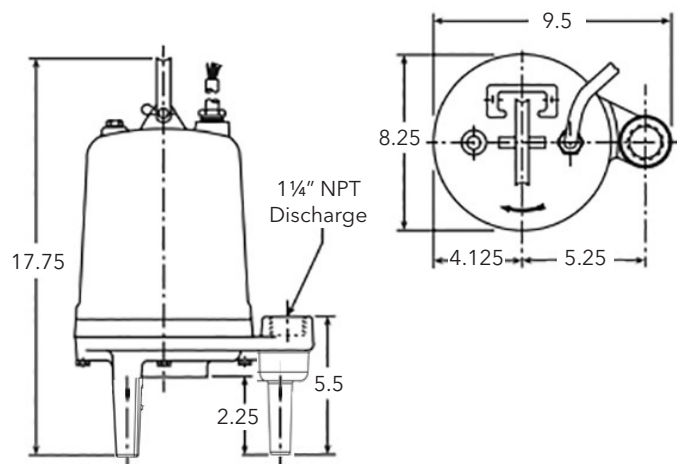
HP	Volts	Phase	RPM	Maximum Amps	LRA	Resistance	Power Cable	Fuse/Circuit Breaker
						Line-Line		
0.5	115	1	3500	9	46	0.6	SJTOW 14/3	15
	208-230			4.5	25.5	2.6		10
1	115			11	46	0.6		15
	208-230			5.5	25.5	2.6		10
2	208-230			15	59	1.1		30

**DIMENSIONS** (All dimensions are in inches. Do not use for construction purposes.)

**AGS 0511, 0512 & 1011** (in inches):



**AGS 2012** (in inches):



## APPLICATION DATA

Minimum Casing Thickness	5/16"
Casing Corrosion Allowance	1/8"
Maximum Working Pressure	50 psi
Maximum Submergence	50 feet
Minimum Submergence	Fully submerged for continuous operation
	6" below top of motor for intermittent operation
Maximum Environmental Temperature	40°C (104°F) continuous operation
	60°C (140°F) intermittent operation
Maximum Number of Evenly Distributed Starts per hour	10
Bearings	B-10 life of 30,000 hours min.
Minimum Basin Size	Simplex - 24" x 24"
	Duplex - 36" x 36" Fiberglass
2" Maximum Discharge Pipe Diameter	Requires a minimum flow of 21 gpm to maintain a 2 ft./sec. scouring velocity

## STANDARD PARTS

Ball Bearing - upper	Single row ball - SKF 6203-2Z
Ball Bearing - lower	Single row ball - SKF 6204-2Z
Mechanical Seal	Silicon carbide/silicon carbide; Type 16
O-Ring - motor cover	BUNA-N, AS 568A-166

## STANDARD PANEL OPTIONS

Pump Order Number	K-Series		Boulay Series	
	Simplex	Duplex	Simplex	Duplex
AGS0511	KS19020WF	KD19020WF	S10020	D10020
AGS0512	KS19020WF	KD19020WF	S10020	D10020
AGS1011	KS19020WF	KD19020WF	S10020	D10020
AGS1012	KS19020WF	KD19020WF	S10020	D10020
AGS2012	KS19020WF	KD19020WF	S10020	D10020



### K-SERIES

- NEMA 4X dead front outdoor rated enclosure
- Red LED alarm beacon
- HOA selector switch
- Field wiring terminal block
- Single phase models handle 120, 208 and 230V service
- Three phase models handle 200, 230 and 460V service
- Requires separate control/alarm power feed
- See brochure "BCPKSDPANELS" for additional information



### BOULAY SERIES

- NEMA 4X outdoor rated enclosure
- Red alarm beacon
- HOA selector switch
- Through door pump run light(s)
- Through door alarm test and horn silence button
- Single phase models handle 120, 208 and 230V service
- Three phase models handle 200, 230, 460 and 575V service
- Accepts single or dual power feed
- See brochure "BCP3 R11" for additional information on simplex models
- See brochure "BCP4 R14" for additional information on duplex models

## CONSTRUCTION DETAILS

Power Cable - type	14/3 SJTOW with NEMA Plug
Motor Cover	Gray cast iron - ASTM A48, Class 30
Bearing Housing	Gray cast iron - ASTM A48, Class 30
Seal Housing	Gray cast iron - ASTM A48, Class 30
Casing	Gray cast iron - ASTM A48, Class 30
Impeller	Gray cast iron - ASTM A48, Class 30
Motor Shaft	AISI 300 series stainless steel
Motor Design	NEMA 48 frame, oil filled with Class F insulation
Motor Overload Protection	On winding thermal protector - auto reset
External Hardware	300 series stainless steel
Impeller Type	Semi-opened with pump out vanes on back shroud
Cutter	Type 440C hardened stainless steel
Oil Capacity - motor chamber	.57 gallons

## CUTTER ASSEMBLY

8-hole cutting ring



3 lobe cutter



**Note:** Boulay Series part numbers have additional available features, see below for more information.

**Note:** K Series panel part numbers include floats, to order without float switches, remove the 'WF' suffix. Boulay Series panels do not include float switches.

**xylem**  
Let's Solve Water

Xylem Inc.  
Phone: (866) 325-4210 • Fax: (888) 322-5877  
www.xylem.com/goulds

Goulds is a registered trademark of Goulds Pumps, Inc. and is used under license.  
© 2021 Xylem Inc. BAGSSERIES R2 January 2021