



6HSZ, 8HSZ, 11HSZ, 16HSZ

1.35-3.5 M³/H .37-1.1 KW, 50 HZ SUBMERSIBLE PUMPS

50 Hz Residential Water Systems

FEATURES

Powered by Goulds Water Technology 4" motors for dependable operation and long service life.

Nylon discharge head features built-in, o-ring seal check valve which is easily removed without pump disassembly.

Nylon motor adapter for strength and corrosion resistance.

Stainless steel hex design shafts, shaft couplings, casings and stage bowls inhibit corrosion.

Glass filled engineered composite impellers for abrasion resistance and durability.

Glass filled engineered composite diffusers are abrasion resistant.

All engineered composite components are non-toxic, non-leaching, FDA compliant materials.

Goulds Water Technology field proven floating impeller stack design for superior sand and abrasive handling and durability.

QUAD LOCK TECHNOLOGY

4 roll formed grooves provides one of the strongest connection available

Provides the durability and sealing needed in the toughest conditions

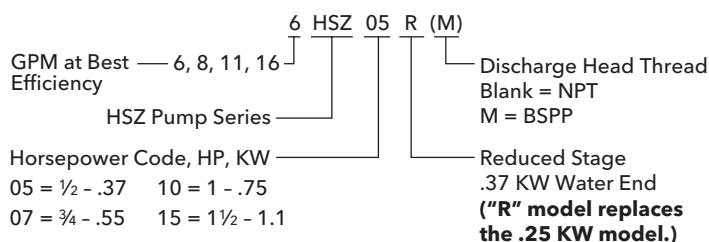
Tensile strength tested to exceed strength of poly and PVC Pipe



SPECIFICATIONS

| Model | KW Range | Rec. Flow Range m ³ /h | Best Eff. m ³ /h | 1 1/4 Discharge | Minimum Well Diameter | Rotation |
|-------|----------|-----------------------------------|-----------------------------|-----------------|-----------------------|---------------------------------|
| 6HSZ | .37-.75 | .3-2 | 1.35 | NPT or BSPP | 4" | CCW when observed from pump end |
| 8HSZ | .37-.75 | .5-2.7 | 1.8 | | | |
| 11HSZ | .37-1.1 | .75-4 | 2.5 | | | |
| 16HSZ | .55-1.1 | 1-5.8 | 3.5 | | | |

NOMENCLATURE



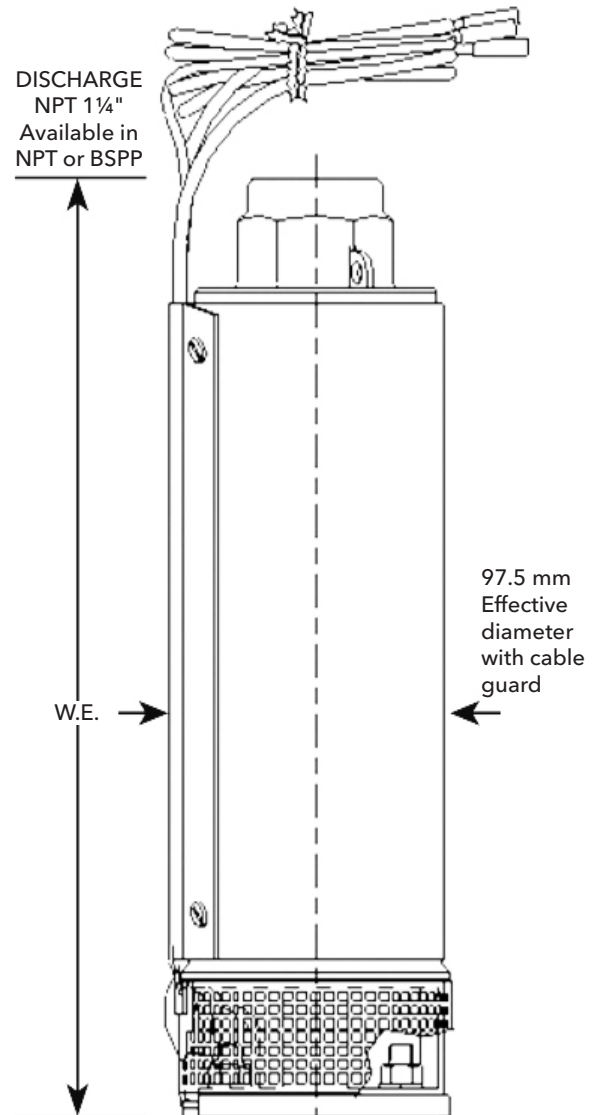
50 Hz Residential Water Systems

WATER END DATA

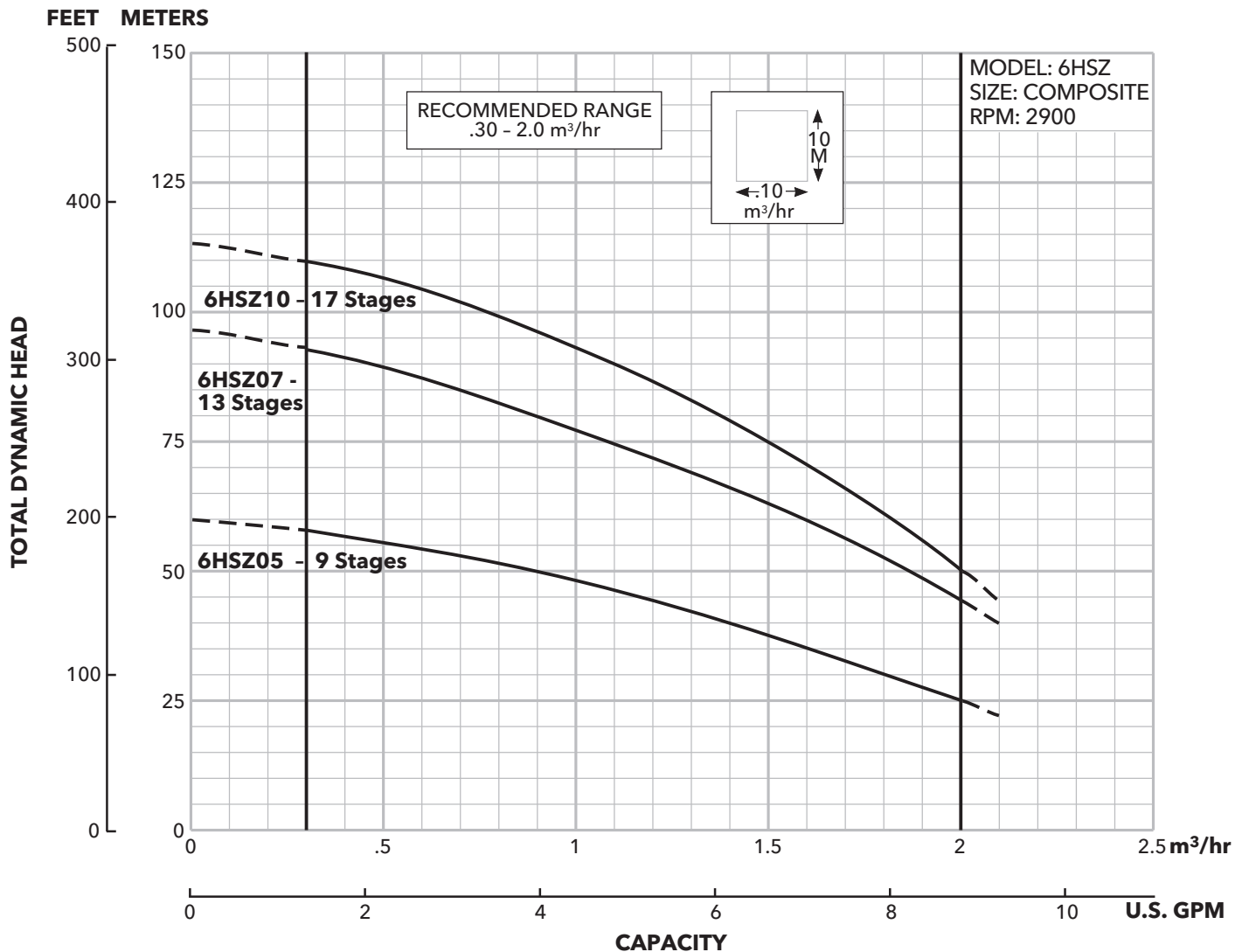
| Series | Product No. | Stages | W.E. Length | | W.E. Weight | | Req. Min. | |
|--------|-------------|--------|-------------|-------|-------------|------|-----------|------|
| | | | MM | In. | Kg | Lbs. | Kw | HP |
| 6 | 6HSZ05 | 9 | 342.81 | 13.50 | 2.09 | 4.6 | 0.37 | 0.5 |
| | 6HSZ07 | 13 | 415.40 | 16.35 | 2.68 | 5.9 | 0.55 | 0.75 |
| | 6HSZ10 | 17 | 488.00 | 19.21 | 3.27 | 7.2 | 0.75 | 1 |
| 8 | 8HSZ05 | 7 | 301.98 | 11.89 | 1.77 | 3.9 | 0.37 | 0.5 |
| | 8HSZ07 | 10 | 354.48 | 13.96 | 2.22 | 4.9 | 0.55 | 0.75 |
| | 8HSZ10 | 14 | 424.48 | 16.71 | 2.81 | 6.2 | 0.75 | 1 |
| 11 | 11HSZ05 | 5 | 266.98 | 10.51 | 1.50 | 3.3 | 0.37 | 0.5 |
| | 11HSZ07 | 8 | 319.48 | 12.58 | 1.95 | 4.3 | 0.55 | 0.75 |
| | 11HSZ10 | 11 | 371.98 | 14.65 | 2.40 | 5.3 | 0.75 | 1 |
| | 11HSZ15 | 16 | 459.49 | 18.09 | 3.67 | 8.1 | 1.1 | 1.5 |
| 16 | 16HSZ07 | 7 | 330.96 | 13.03 | 1.90 | 4.2 | 0.55 | 0.75 |
| | 16HSZ10 | 9 | 374.24 | 14.73 | 2.22 | 4.9 | 0.75 | 1 |
| | 16HSZ15 | 14 | 482.45 | 18.99 | 3.17 | 7 | 1.1 | 1.5 |

MATERIALS OF CONSTRUCTION

| Part Name | Material |
|----------------------|--|
| Discharge Head | Glass Filled Engineered Composite |
| Check Valve Poppet | Delrin® |
| Check Valve O-ring | NBR |
| Bearing | Proprietary Engineered Polymer |
| Shaft Retaining Ring | AISI 301 SS |
| Diffuser | Glass Filled Engineered Composite |
| Impeller | Glass Filled Engineered Composite/ GFN2 |
| Bowl | AISI 304 SS |
| Shim | AISI 304 SS |
| Inlet Strainer | Glass Filled Engineered Composite |
| Screws - Cable Guard | AISI 304 SS |
| Motor Adapter | Glass Filled Engineered Composite |
| Casing | AISI 304 SS |
| Shaft | |
| Coupling | AISI 304 SS, Powder Metal |
| Cable Guard | PVC |

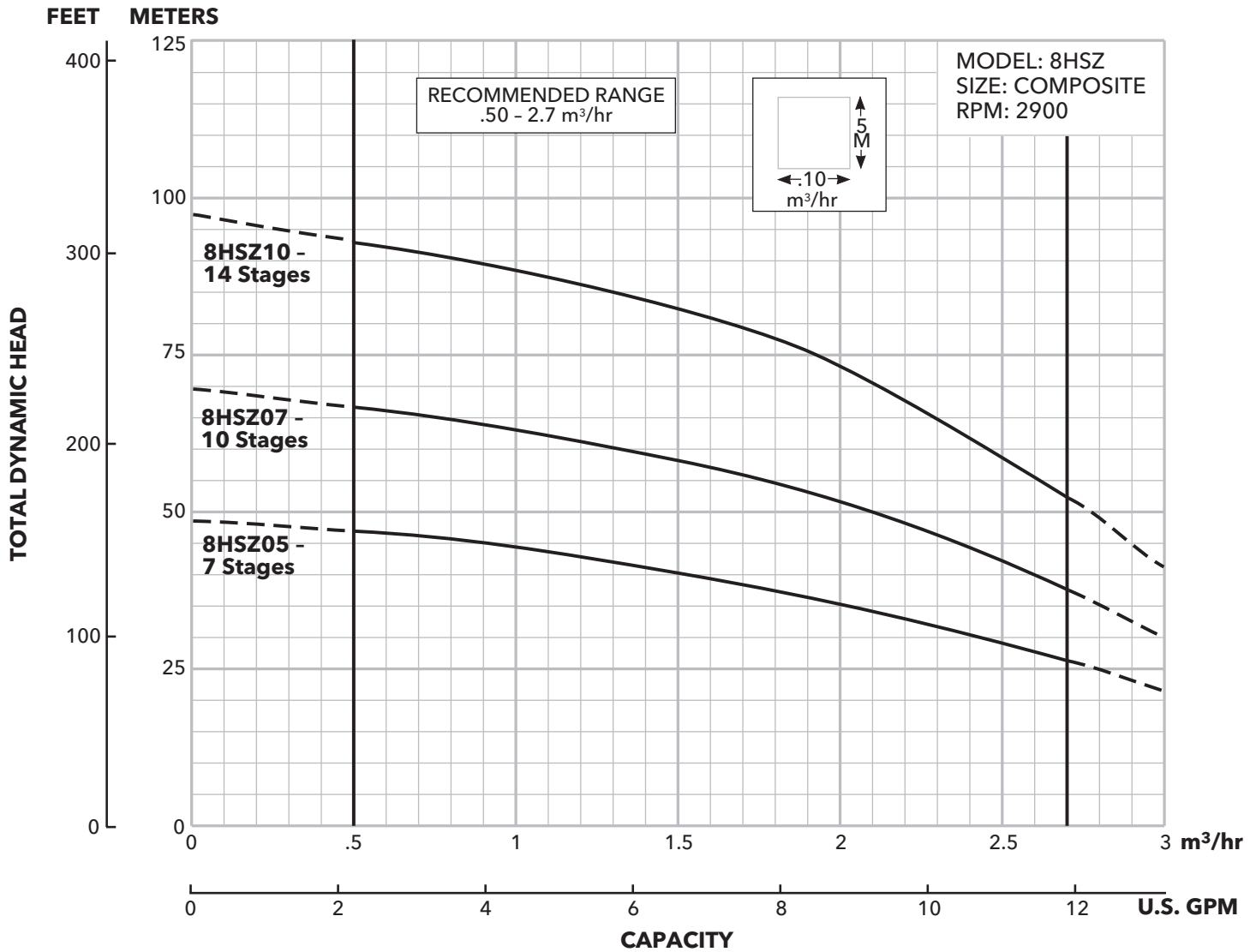


MODEL 6HSZ

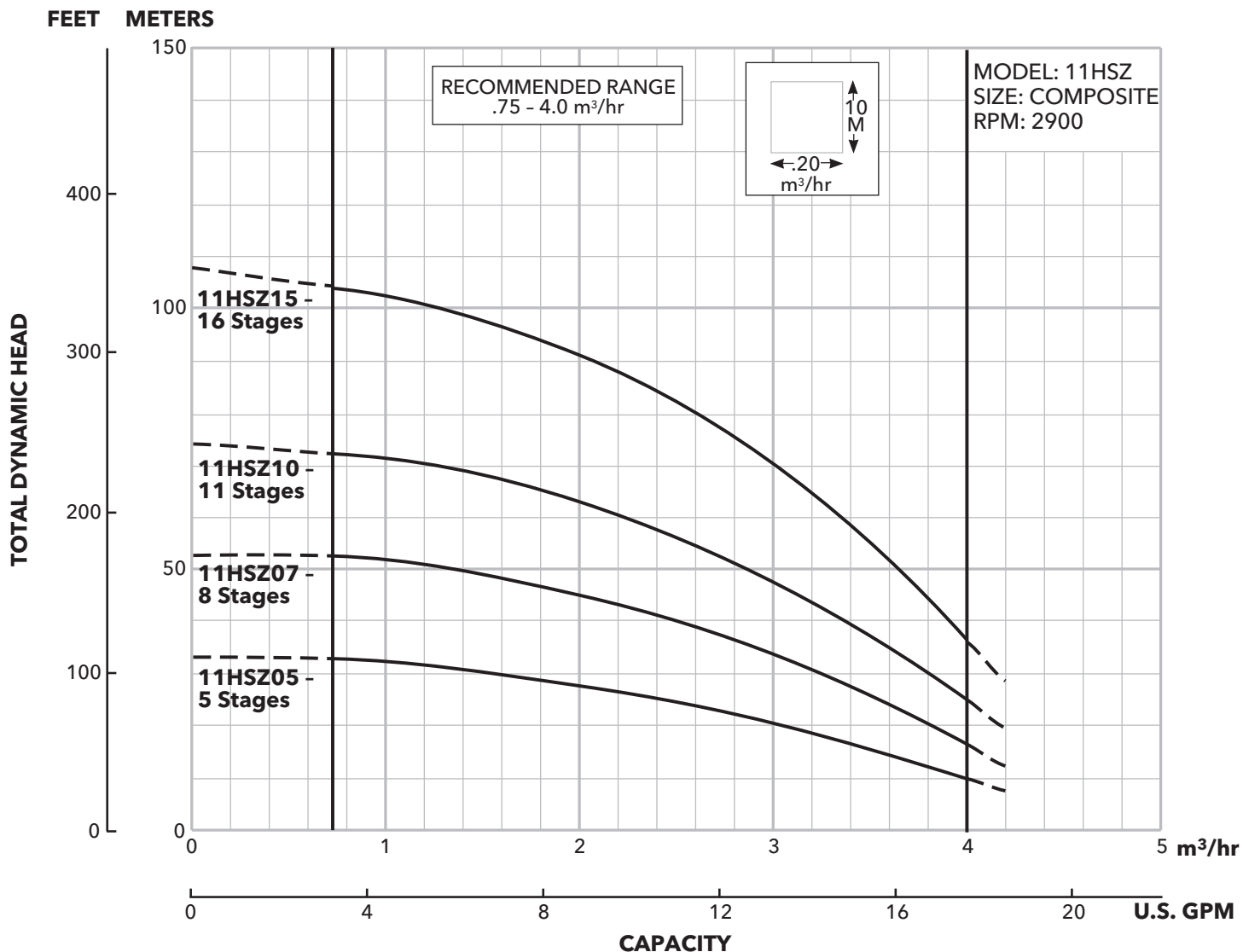


50 Hz Residential Water Systems

MODEL 8HSZ

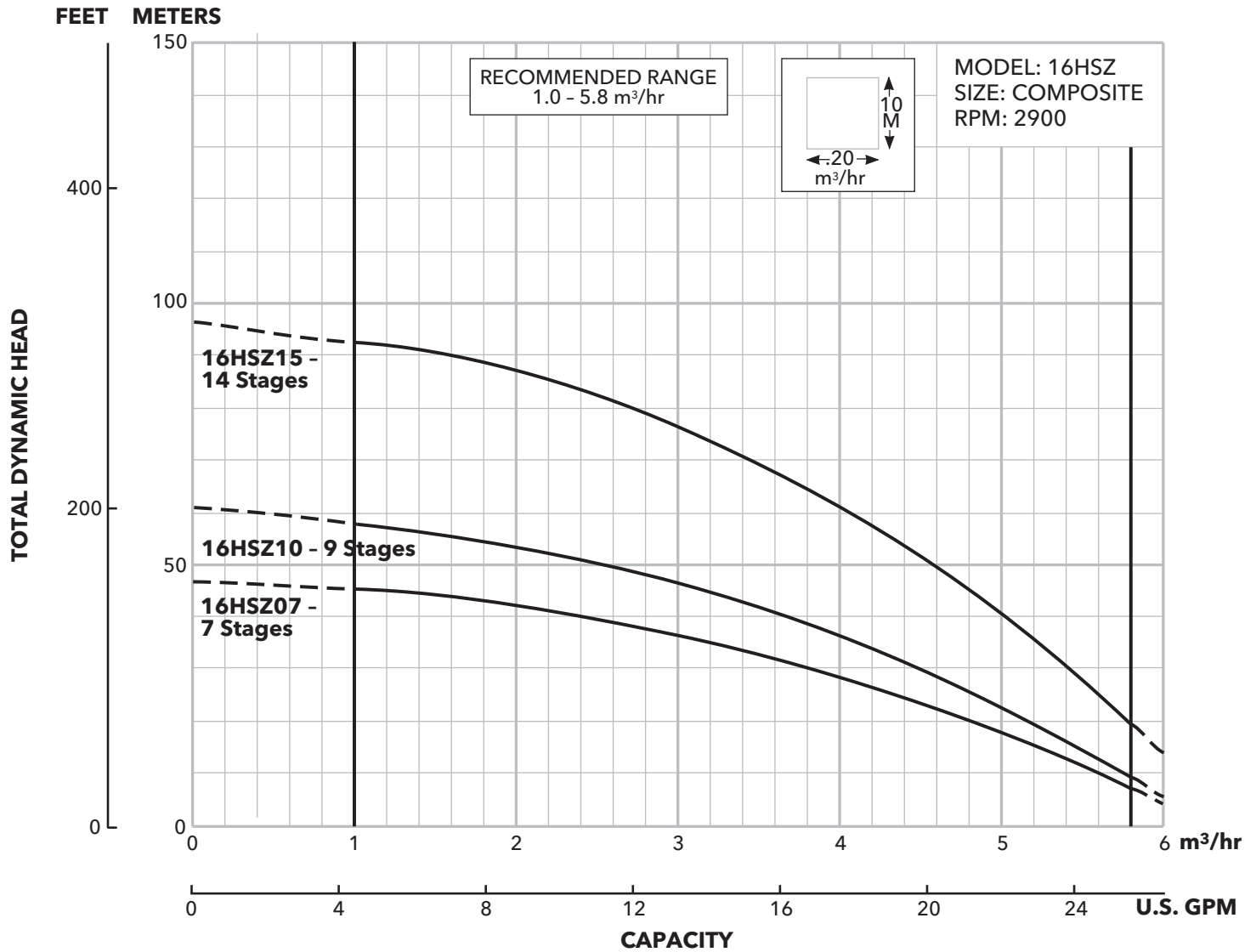


MODEL 11HSZ



50 Hz Residential Water Systems

MODEL 16HSZ



Xylem |'zīləm|

- 1) The tissue in plants that brings water upward from the roots;
- 2) a leading global water technology company.

We're a global team unified in a common purpose: creating advanced technology solutions to the world's water challenges. Developing new technologies that will improve the way water is used, conserved, and re-used in the future is central to our work. Our products and services move, treat, analyze, monitor and return water to the environment, in public utility, industrial, residential and commercial building services settings. Xylem also provides a leading portfolio of smart metering, network technologies and advanced analytics solutions for water, electric and gas utilities. In more than 150 countries, we have strong, long-standing relationships with customers who know us for our powerful combination of leading product brands and applications expertise with a strong focus on developing comprehensive, sustainable solutions.

For more information on how Xylem can help you, go to www.xylem.com



Xylem Inc.
2881 East Bayard Street Ext., Suite A
Seneca Falls, NY 13148
Phone: (866) 325-4210
Fax: (888) 322-5877
www.xylem.com/goulds

Xylem is a registered trademark of Xylem Inc. or one of its subsidiaries. Goulds is a registered trademark of ITT Manufacturing Enterprises LLC and is used under license. All other trademarks or registered trademarks are property of their respective owners.
© 2023 Xylem Inc. B6-16HSZ R2 July 2023