



**TECHNICAL BROCHURE**

B6-12MXFL50

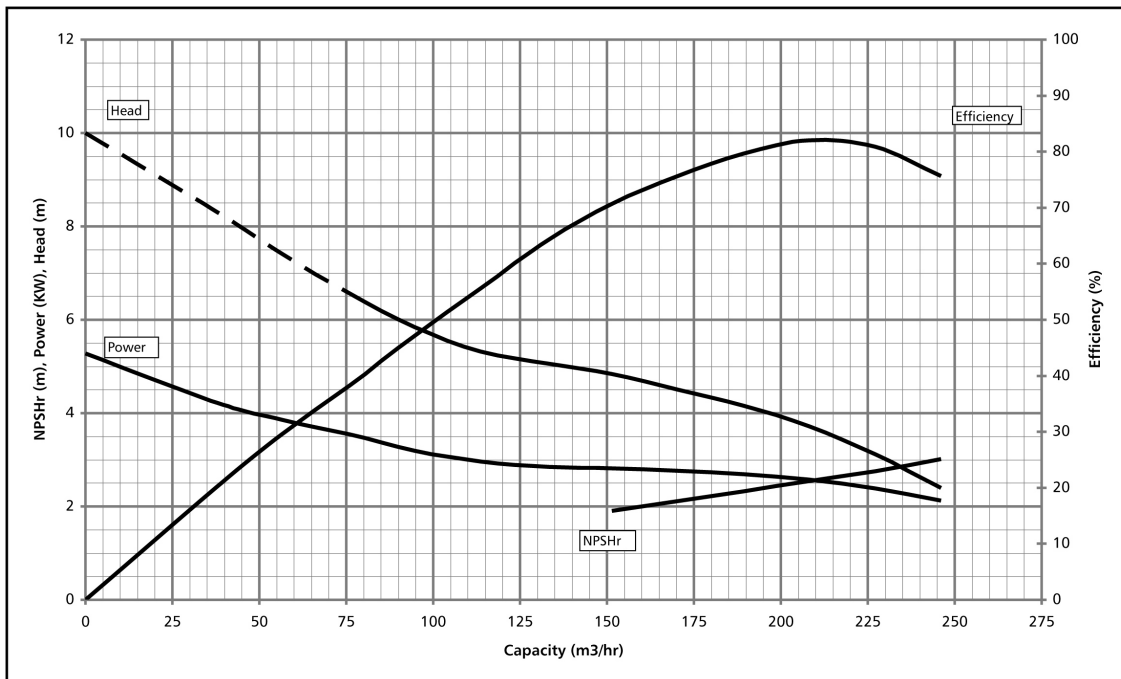
# 6MO-10MO-12MLO-12MMO MIXED FLOW PUMPS

PERFORMANCE CURVES AND DIMENSIONAL DRAWINGS

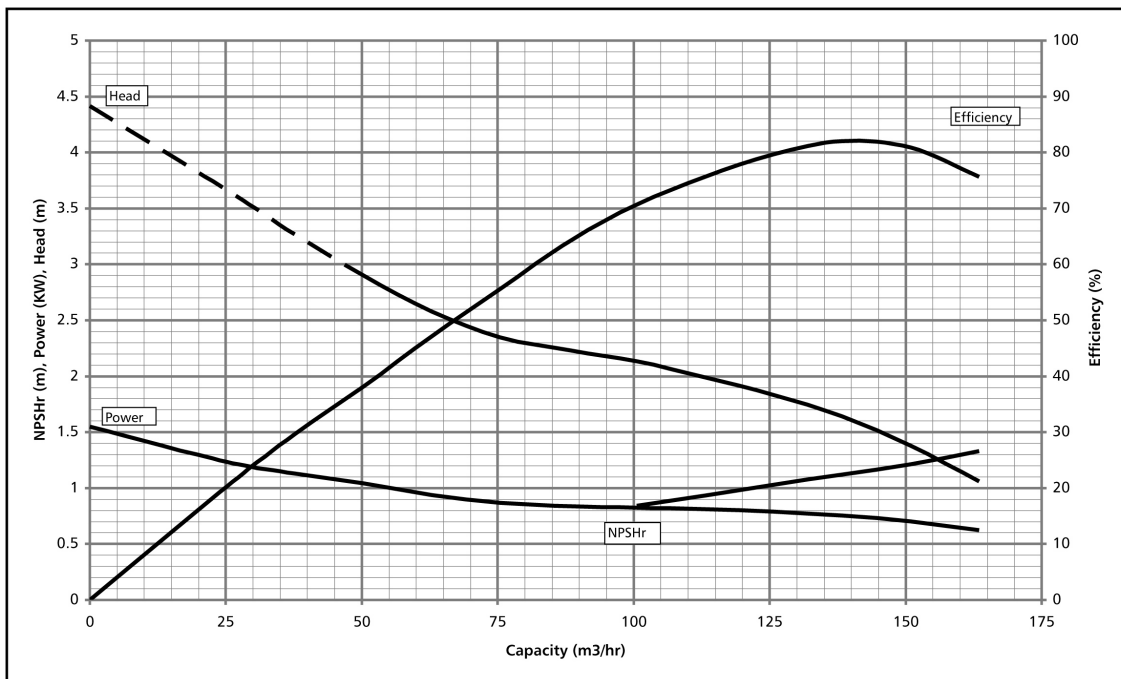
50 Hz

## Mixed Flow Turbine

### 6MO Performance Curves



<b>Model</b>	<b>6MO</b>	
<b>RPM</b>	<b>1475</b>	
<b>Hz</b>	<b>50</b>	
<b>EFFICIENCY CORRECTION</b>		
1-STAGE	N/A	N/A
<b>Impeller</b> <b>Open</b>		
<b>Ns =</b>	<b>6841</b>	
<b>K =</b>	<b>19.5 kg/m</b>	
Min. Subm.	635mm	
Vane Angle	37°	
Max. Solid	25.4mm Dia.	
<b>GOULDS WATER TECHNOLOGY</b>		
<b>TURBINE OPERATIONS</b> Lubbock, Texas      2010		
BOWL PERFORMANCE CURVE BASED ON PUMPING CLEAR, NON-AERATED WATER. RATED POINT ONLY IS GUARANTEED. CURVES REPRESENT SINGLE STAGE PERFORMANCE.		

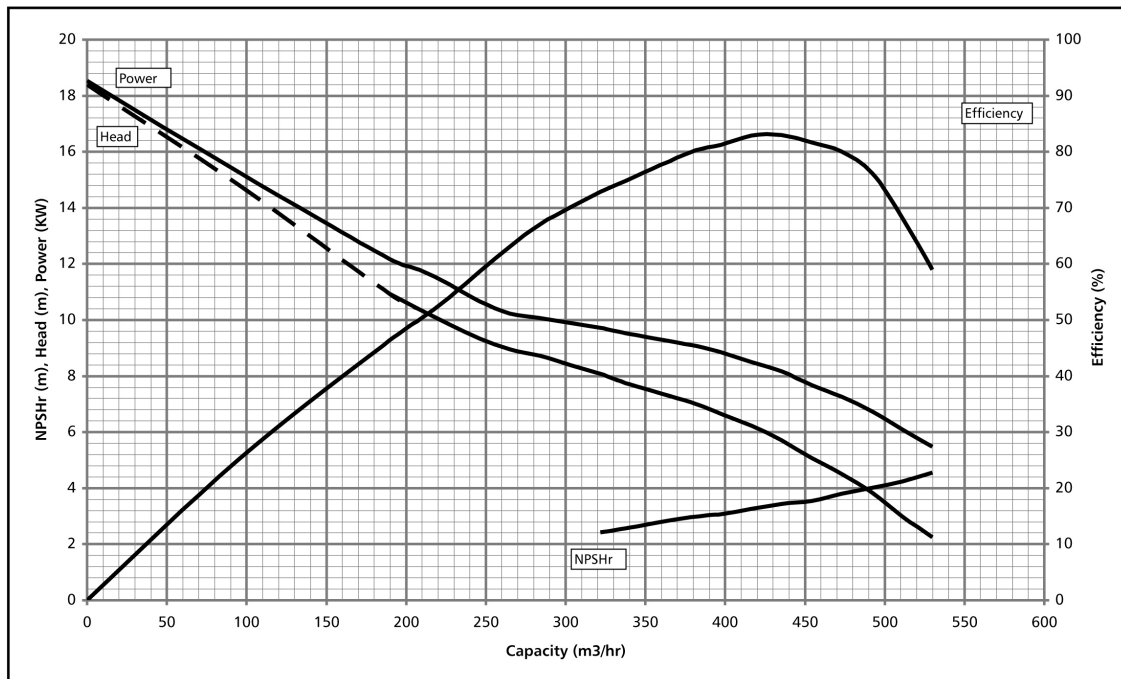


<b>Model</b>	<b>6MO</b>	
<b>RPM</b>	<b>980</b>	
<b>Hz</b>	<b>50</b>	
<b>EFFICIENCY CORRECTION</b>		
1-STAGE	N/A	N/A
<b>Impeller</b> <b>Open</b>		
<b>Ns =</b>	<b>6841</b>	
<b>K =</b>	<b>19.5 kg/m</b>	
Min. Subm.	635mm	
Vane Angle	37°	
Max. Solid	25.4mm Dia.	
<b>GOULDS WATER TECHNOLOGY</b>		
<b>TURBINE OPERATIONS</b> Lubbock, Texas      2010		
BOWL PERFORMANCE CURVE BASED ON PUMPING CLEAR, NON-AERATED WATER. RATED POINT ONLY IS GUARANTEED. CURVES REPRESENT SINGLE STAGE PERFORMANCE.		

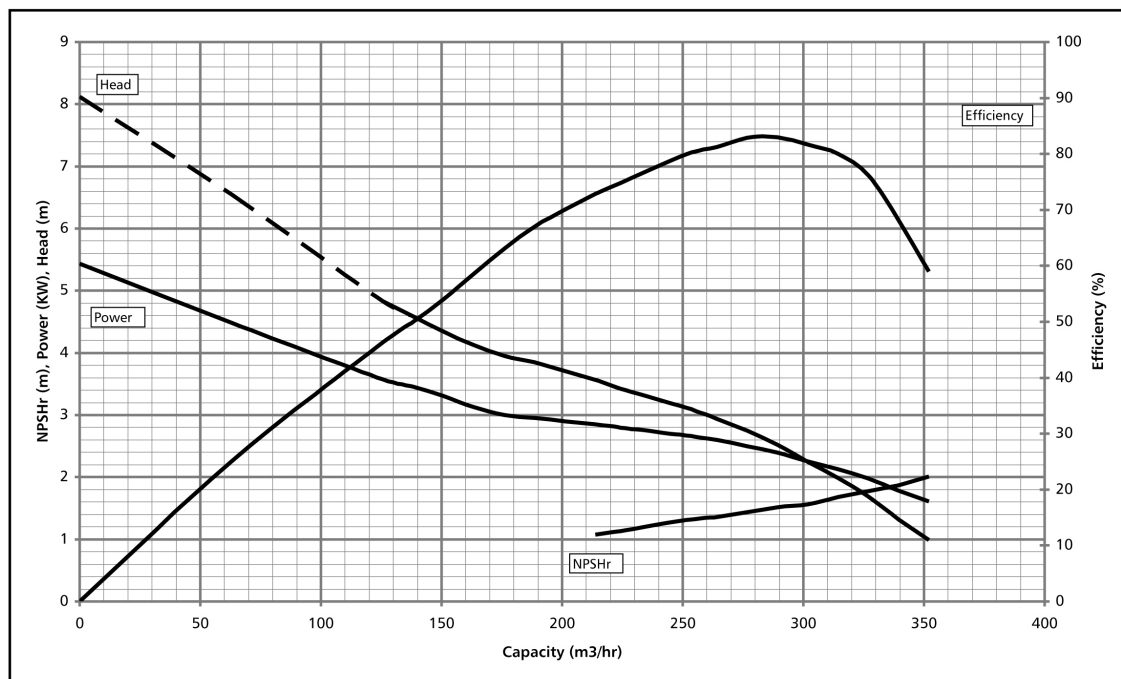
**NOTE:** Solid line is recommended operating range.

## Mixed Flow Turbine

### 10MO Performance Curves



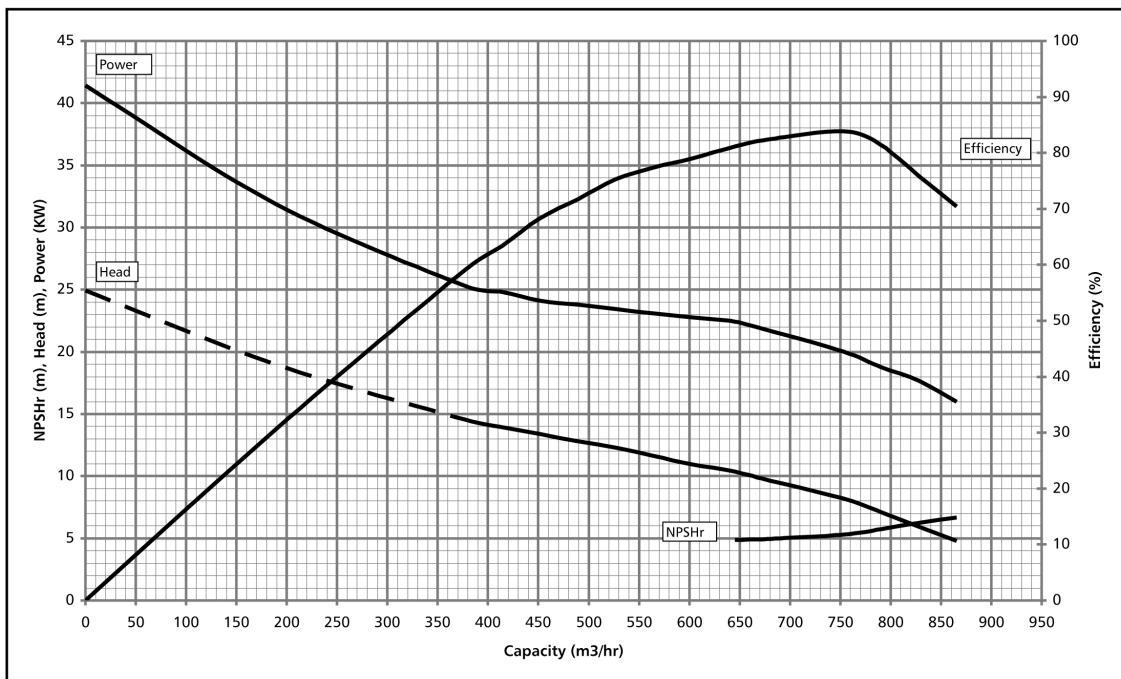
<b>Model</b>	<b>10MO</b>	
<b>RPM</b>	<b>1475</b>	
<b>Hz</b>	<b>50</b>	
EFFICIENCY CORRECTION		
1-STAGE	N/A	N/A
<b>Impeller</b>	<b>Open</b>	
<b>Ns =</b>	<b>6723</b>	
<b>K =</b>	<b>35.7 kg/m</b>	
Min. Subm.	737mm	
Vane Angle	37°	
Max. Solid	38.1mm Dia.	
<b>GOULDS WATER TECHNOLOGY</b>		
<b>TURBINE OPERATIONS</b>		
Lubbock, Texas 2010		
BOWL PERFORMANCE CURVE BASED ON PUMPING CLEAR, NON-AERATED WATER. RATED POINT ONLY IS GUARANTEED. CURVES REPRESENT SINGLE STAGE PERFORMANCE.		



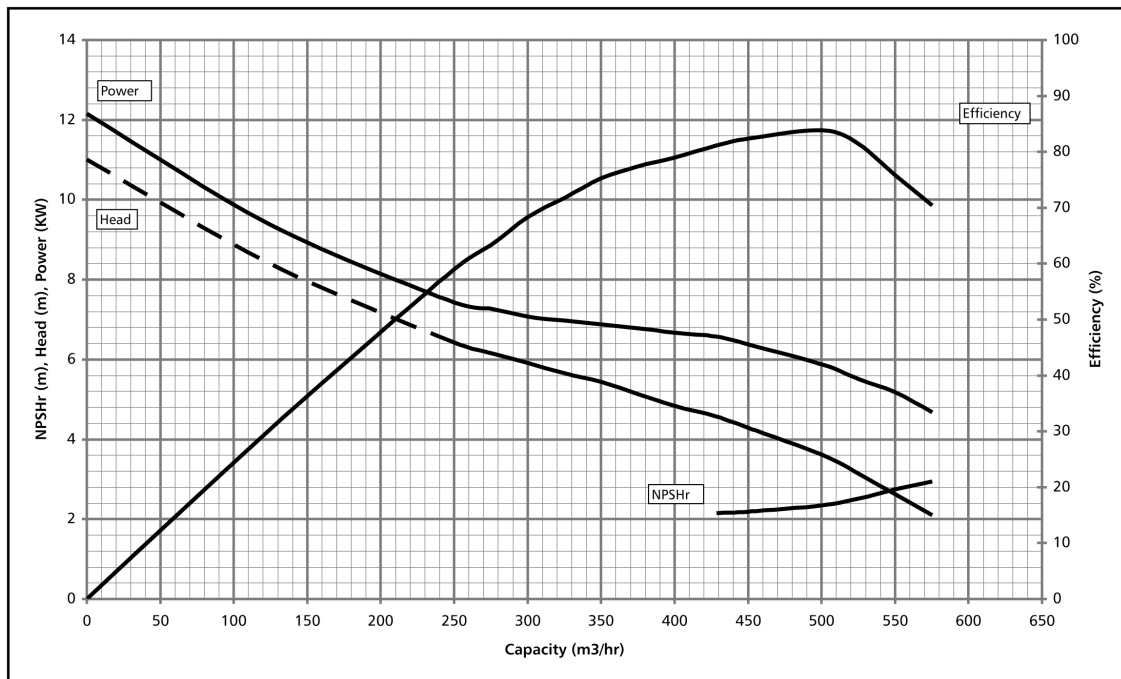
<b>Model</b>	<b>10MO</b>	
<b>RPM</b>	<b>980</b>	
<b>Hz</b>	<b>50</b>	
EFFICIENCY CORRECTION		
1-STAGE	N/A	N/A
<b>Impeller</b>	<b>Open</b>	
<b>Ns =</b>	<b>6723</b>	
<b>K =</b>	<b>35.7 kg/m</b>	
Min. Subm.	737mm	
Vane Angle	37°	
Max. Solid	38.1mm Dia.	
<b>GOULDS WATER TECHNOLOGY</b>		
<b>TURBINE OPERATIONS</b>		
Lubbock, Texas 2010		
BOWL PERFORMANCE CURVE BASED ON PUMPING CLEAR, NON-AERATED WATER. RATED POINT ONLY IS GUARANTEED. CURVES REPRESENT SINGLE STAGE PERFORMANCE.		

**NOTE:** Solid line is recommended operating range.

### 12MLO Performance Curves



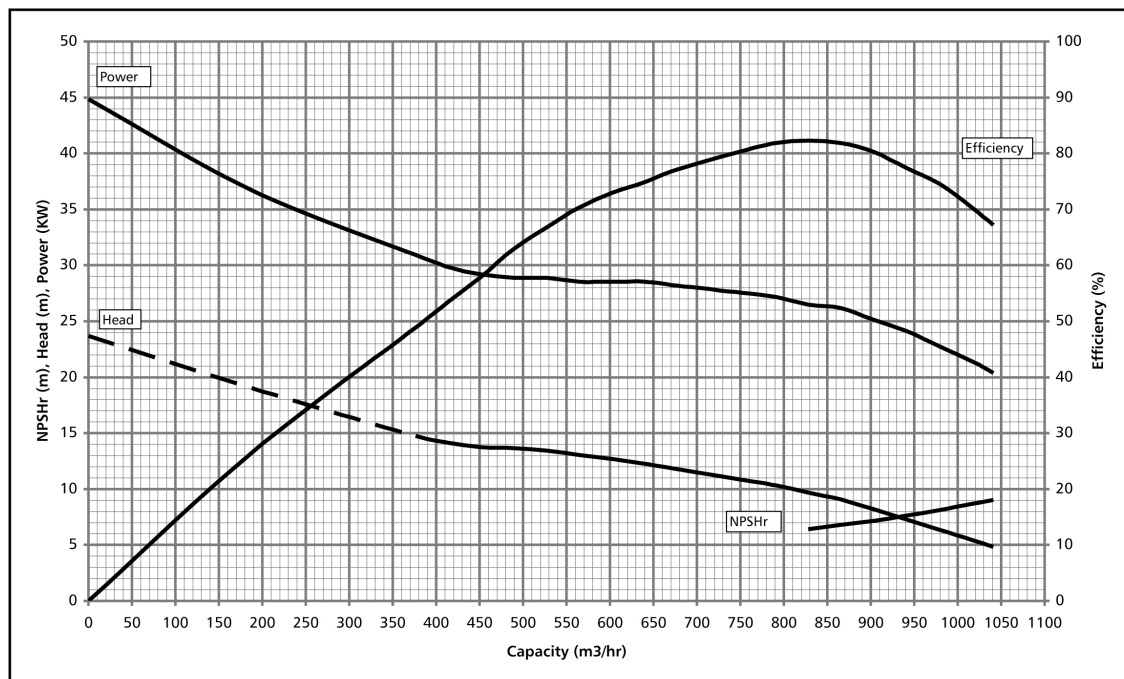
<b>Model</b>	<b>12MLO</b>	
<b>RPM</b>	<b>1475</b>	
<b>Hz</b>	<b>50</b>	
<b>EFFICIENCY CORRECTION</b>		
1-STAGE	N/A	N/A
<b>Impeller</b> <b>Open</b>		
<b>Ns =</b>	<b>7186</b>	
<b>K =</b>	<b>46.9 kg/m</b>	
Min. Subm.	813mm	
Vane Angle	40°	
Max. Solid	38.1mm Dia.	
<b>GOULDS WATER TECHNOLOGY</b>		
<b>TURBINE OPERATIONS</b> Lubbock, Texas      2010		
BOWL PERFORMANCE CURVE BASED ON PUMPING CLEAR, NON-AERATED WATER. RATED POINT ONLY IS GUARANTEED. CURVES REPRESENT SINGLE STAGE PERFORMANCE.		



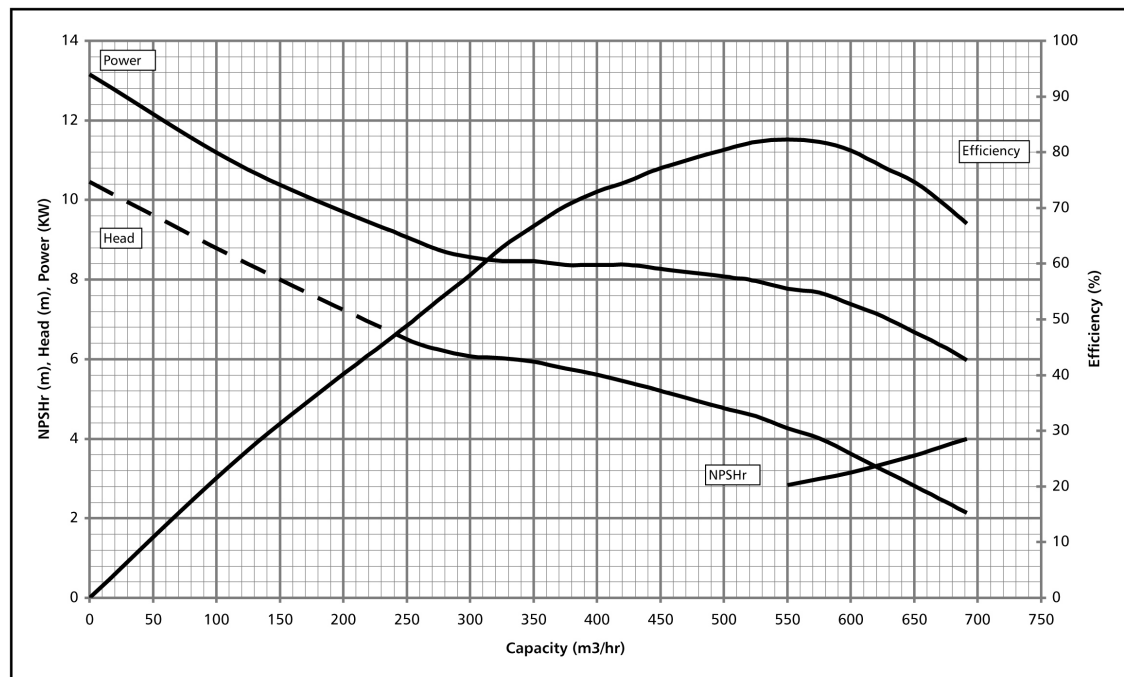
<b>Model</b>	<b>12MLO</b>	
<b>RPM</b>	<b>980</b>	
<b>Hz</b>	<b>50</b>	
<b>EFFICIENCY CORRECTION</b>		
1-STAGE	N/A	N/A
<b>Impeller</b> <b>Open</b>		
<b>Ns =</b>	<b>7186</b>	
<b>K =</b>	<b>46.9 kg/m</b>	
Min. Subm.	813mm	
Vane Angle	40°	
Max. Solid	38.1mm Dia.	
<b>GOULDS WATER TECHNOLOGY</b>		
<b>TURBINE OPERATIONS</b> Lubbock, Texas      2010		
BOWL PERFORMANCE CURVE BASED ON PUMPING CLEAR, NON-AERATED WATER. RATED POINT ONLY IS GUARANTEED. CURVES REPRESENT SINGLE STAGE PERFORMANCE.		

**NOTE:** Solid line is recommended operating range.

### 12MMO Performance Curves



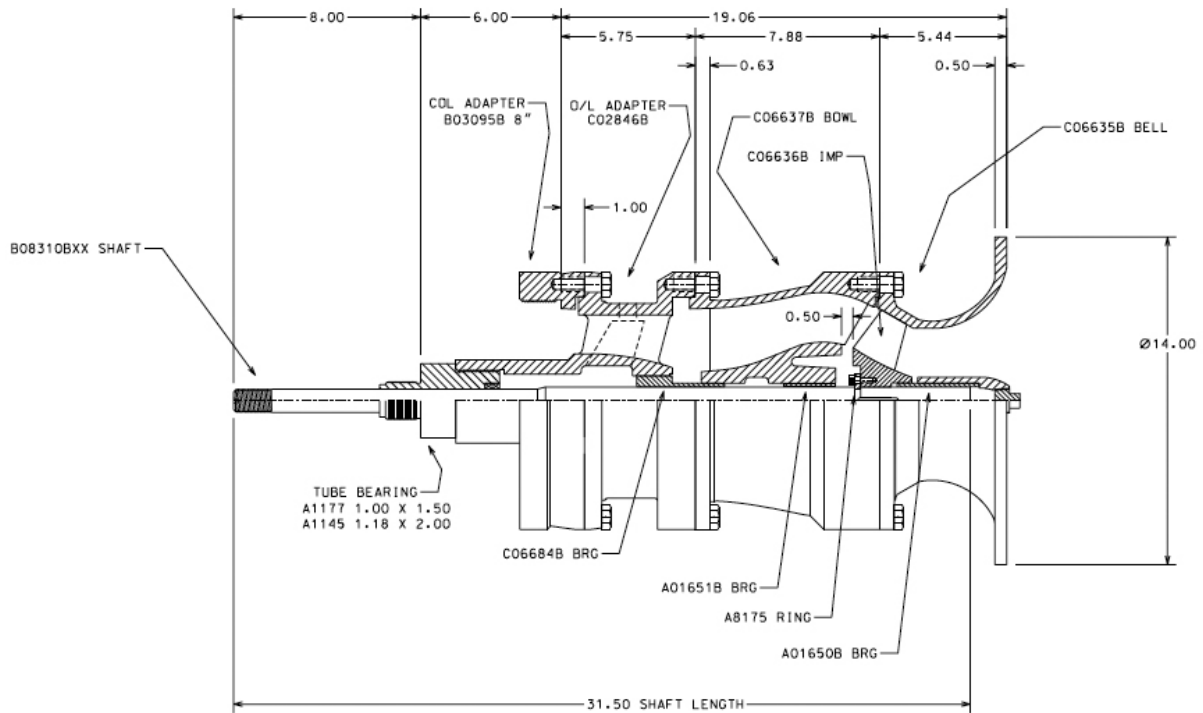
<b>Model</b>	<b>12MMO</b>	
<b>RPM</b>	<b>1475</b>	
<b>Hz</b>	<b>50</b>	
<b>EFFICIENCY CORRECTION</b>		
1-STAGE	N/A	N/A
<b>Impeller</b> <b>Open</b>		
Ns =	<b>6663</b>	
K =	<b>46.6 kg/m</b>	
Min. Subm.	813mm	
Vane Angle	40°	
Max. Solid	38.1mm Dia.	
<b>GOULDS WATER TECHNOLOGY</b>		
<b>TURBINE OPERATIONS</b> Lubbock, Texas      2010		
BOWL PERFORMANCE CURVE BASED ON PUMPING CLEAR, NON-AERATED WATER. RATED POINT ONLY IS GUARANTEED. CURVES REPRESENT SINGLE STAGE PERFORMANCE.		



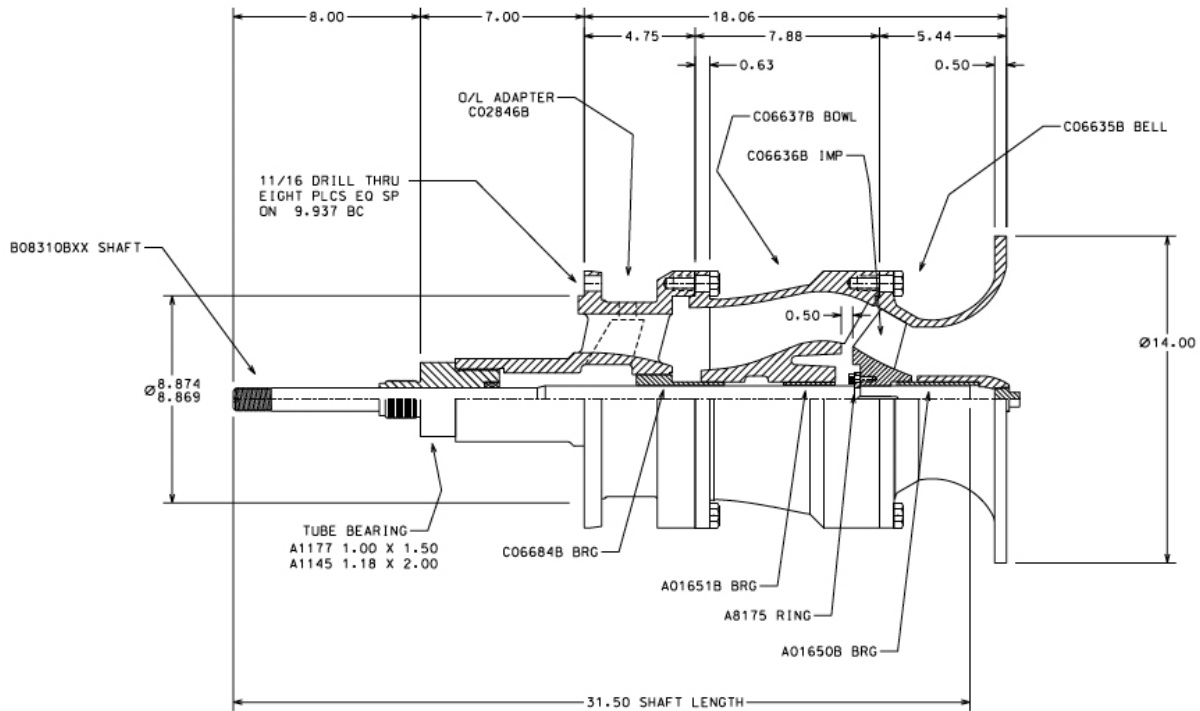
<b>Model</b>	<b>12MMO</b>	
<b>RPM</b>	<b>980</b>	
<b>Hz</b>	<b>50</b>	
<b>EFFICIENCY CORRECTION</b>		
1-STAGE	N/A	N/A
<b>Impeller</b> <b>Open</b>		
Ns =	<b>6663</b>	
K =	<b>46.6 kg/m</b>	
Min. Subm.	813mm	
Vane Angle	40°	
Max. Solid	38.1mm Dia.	
<b>GOULDS WATER TECHNOLOGY</b>		
<b>TURBINE OPERATIONS</b> Lubbock, Texas      2010		
BOWL PERFORMANCE CURVE BASED ON PUMPING CLEAR, NON-AERATED WATER. RATED POINT ONLY IS GUARANTEED. CURVES REPRESENT SINGLE STAGE PERFORMANCE.		

**NOTE:** Solid line is recommended operating range.

### 6MO Dimensional Drawings - O/L Bowl Assembly



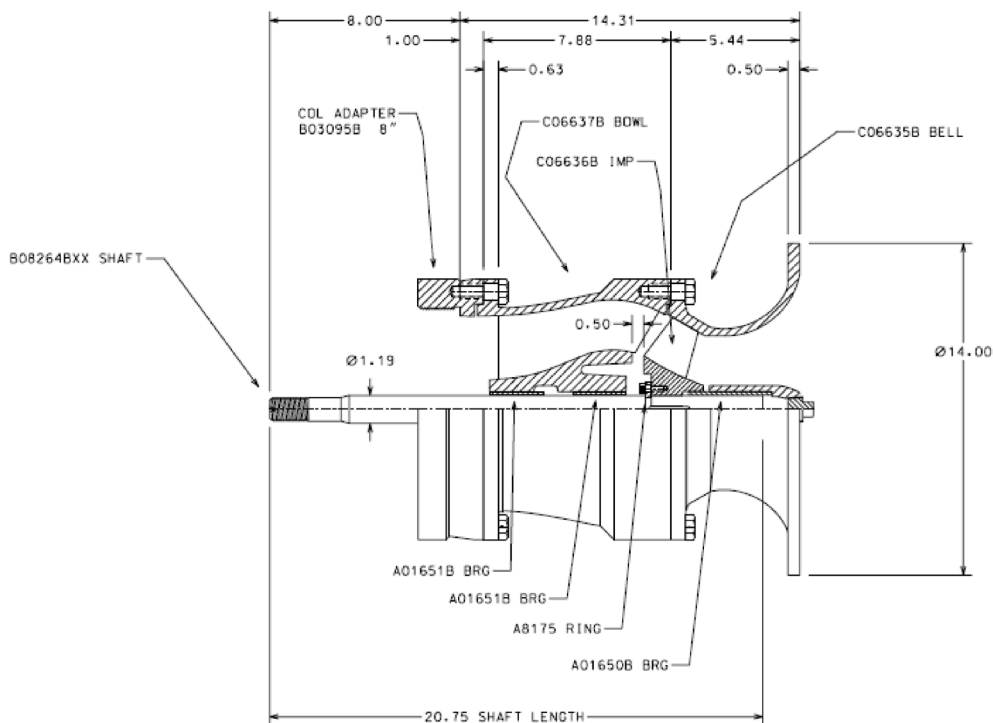
6MO Oil Lube - Threaded Bowl Assembly Layout



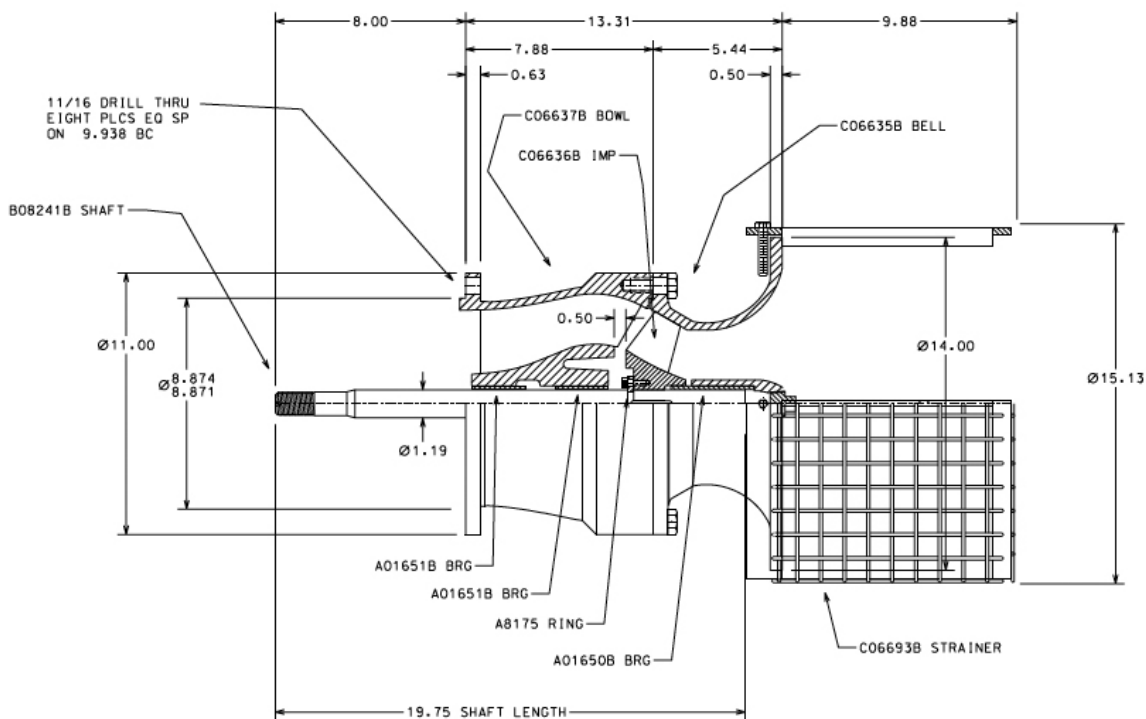
6MO Oil Lube - Flanged Bowl Assembly Layout

**NOTE:** All dimensions shown in inches.

## 6MO Dimensional Drawings - W/L Bowl Assembly



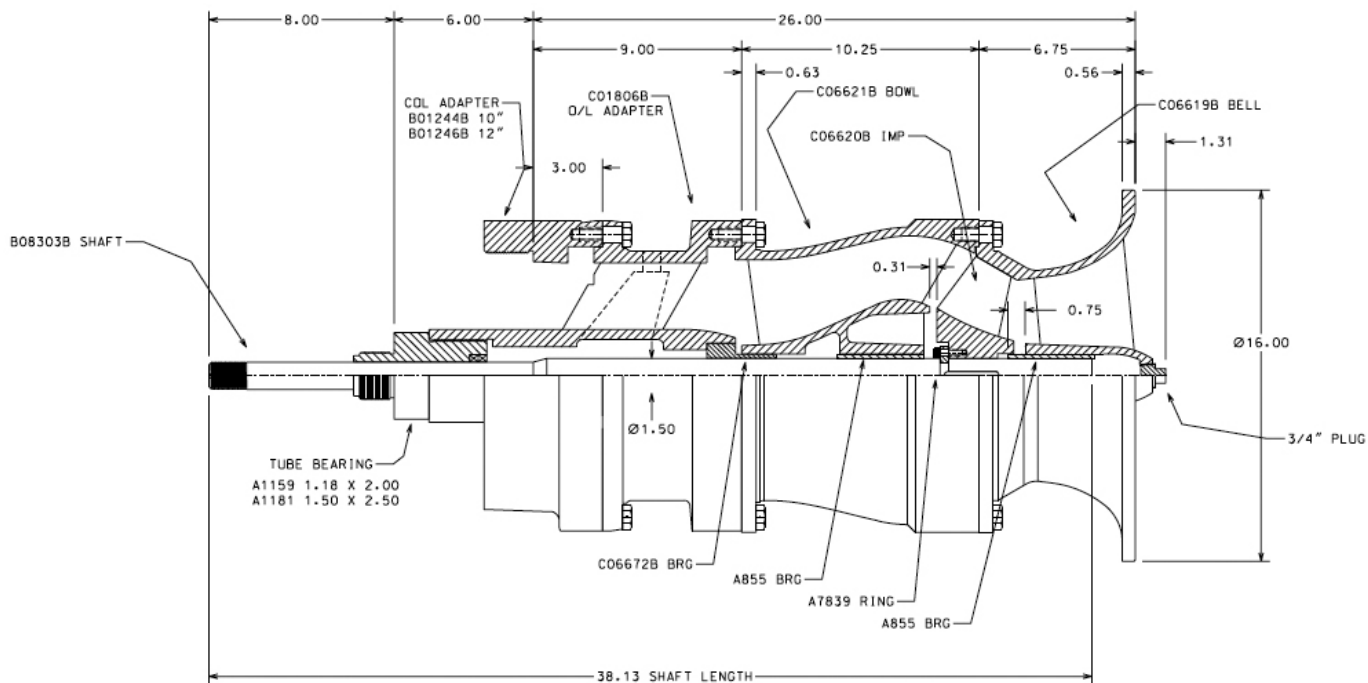
6MO Water Lube - Threaded Bowl Assembly Layout



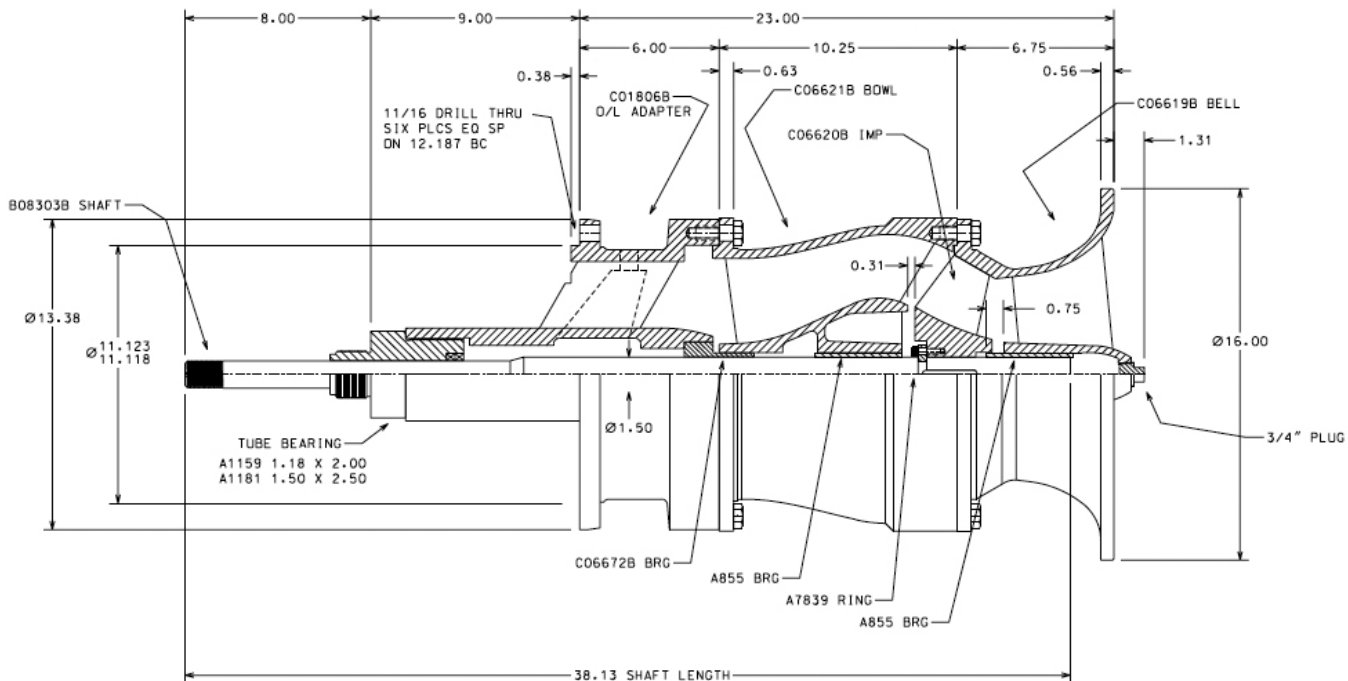
6MO Water Lube - Flanged Bowl Assembly Layout

**NOTE:** All dimensions shown in inches.

### 10MO Dimensional Drawings - O/L Bowl Assembly



### 10MO Oil Lube - Threaded Bowl Assembly Layout

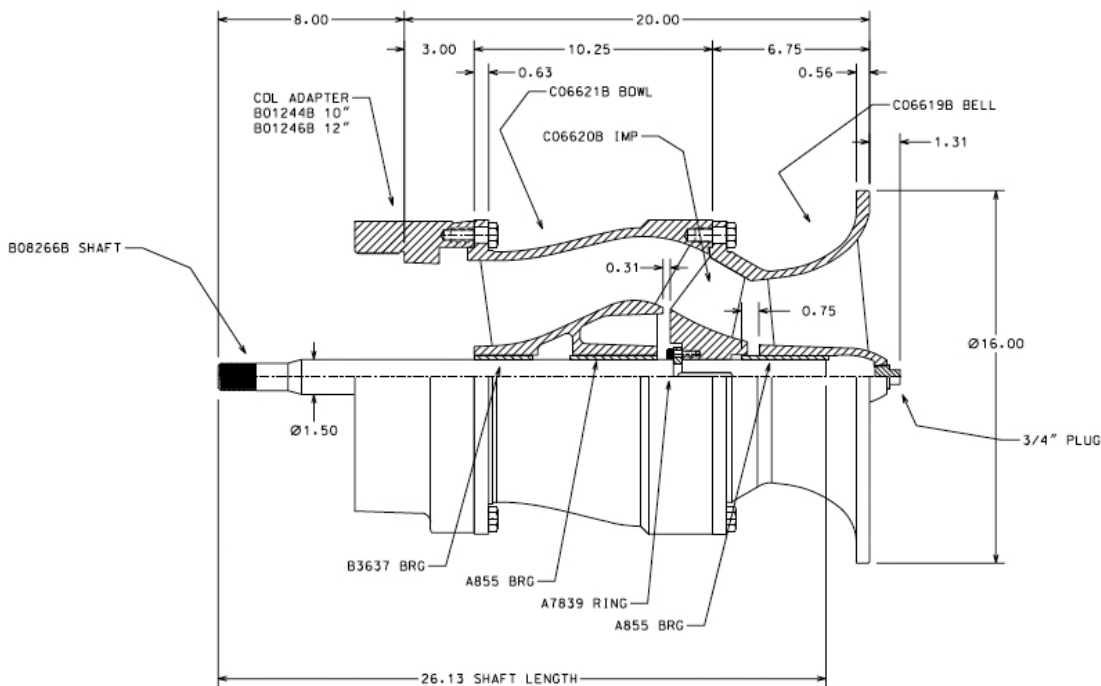


### 10MO Oil Lube - Flanged Bowl Assembly Layout

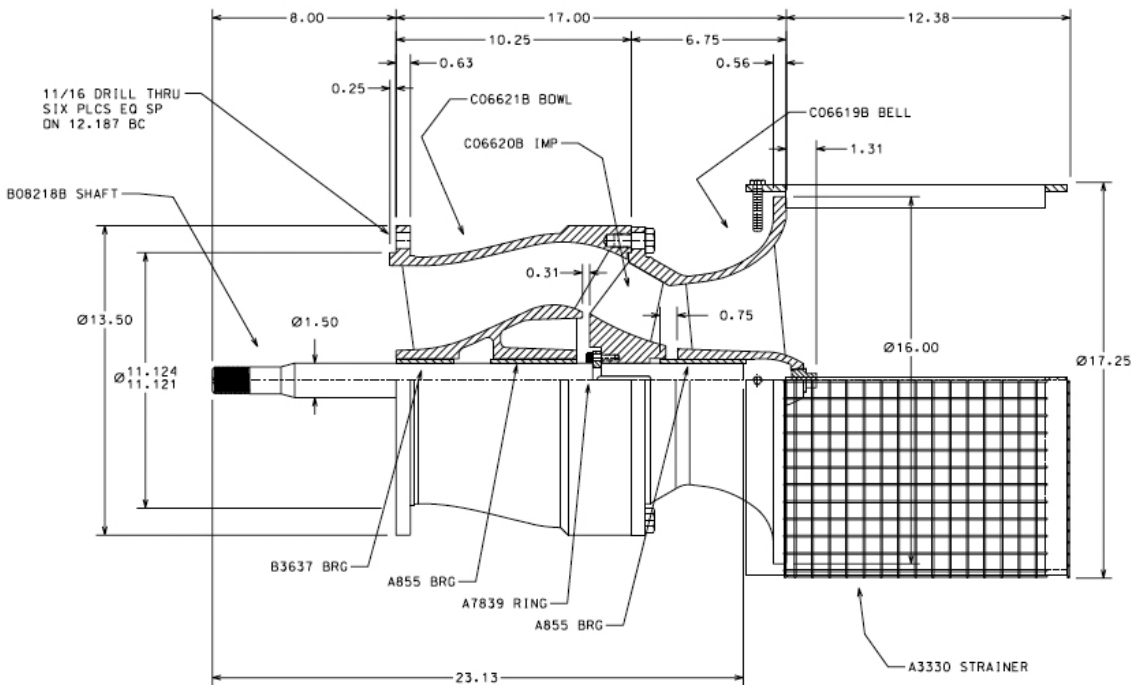
**NOTE:** All dimensions shown in inches.



### 10MO Dimensional Drawings - W/L Bowl Assembly



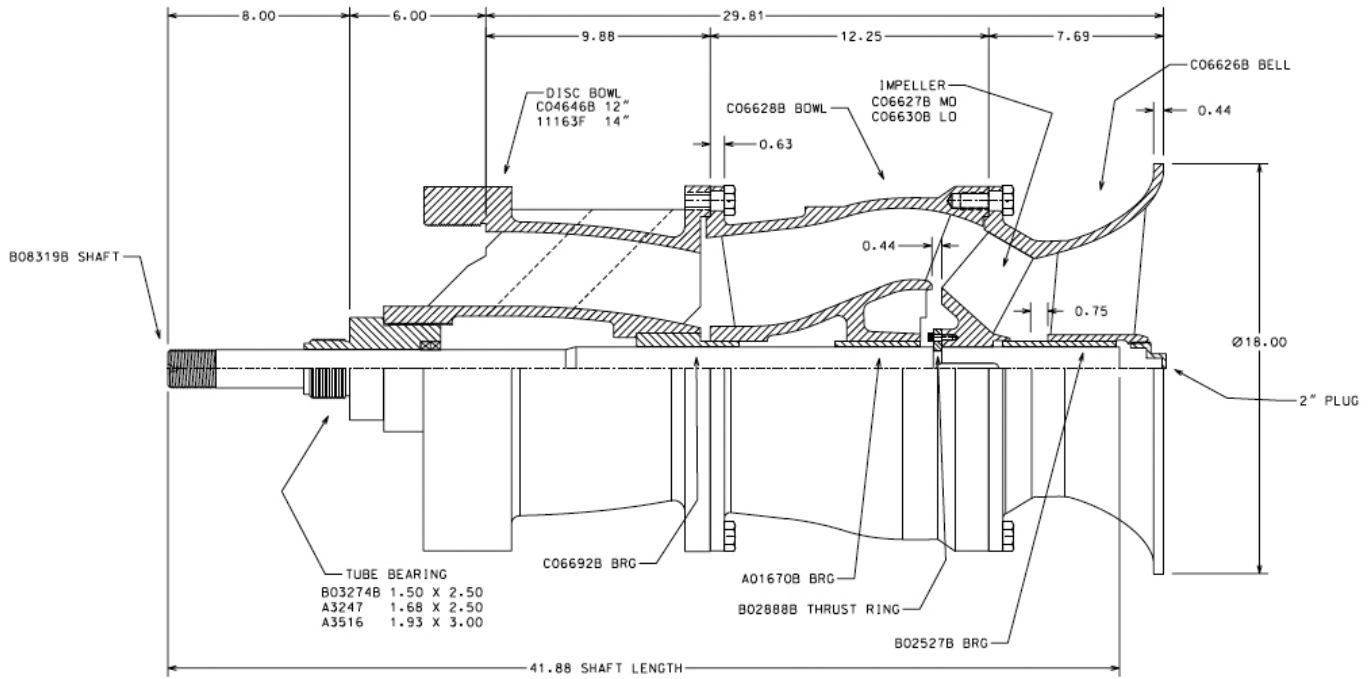
10MO Water Lube - Threaded Bowl Assembly Layout



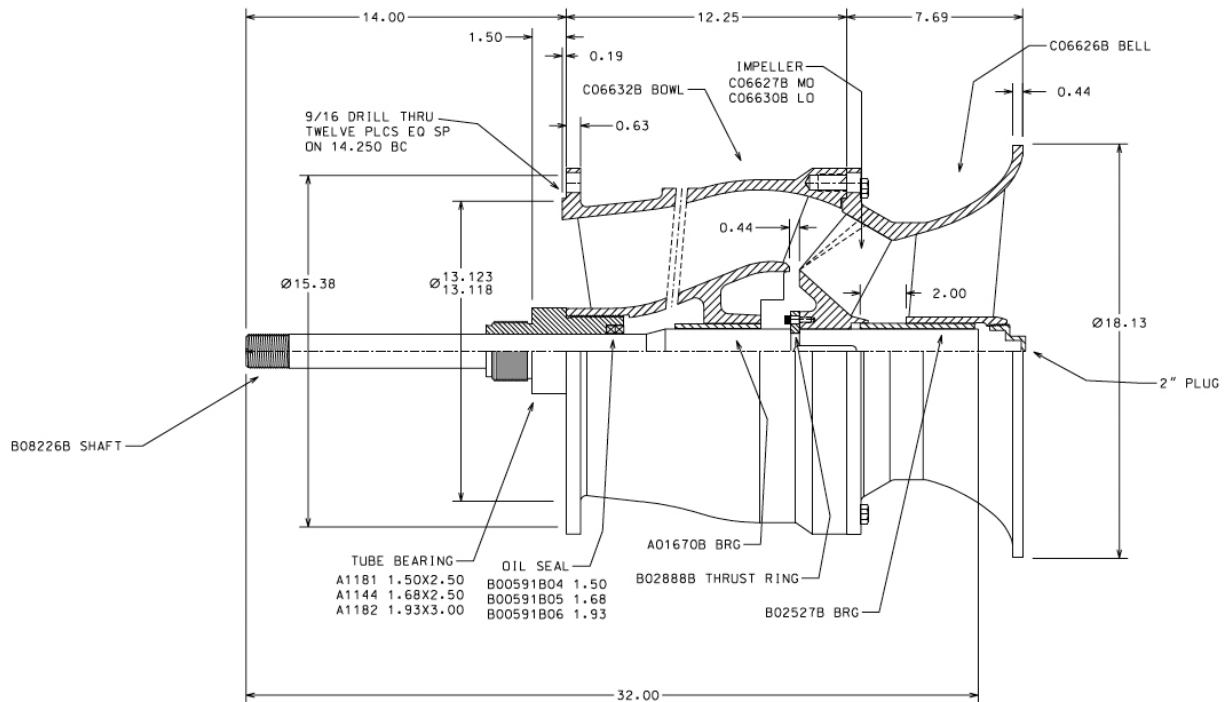
10MO Water Lube - Flanged Bowl Assembly Layout

**NOTE:** All dimensions shown in inches.

### 12MO Dimensional Drawings - O/L Bowl Assembly



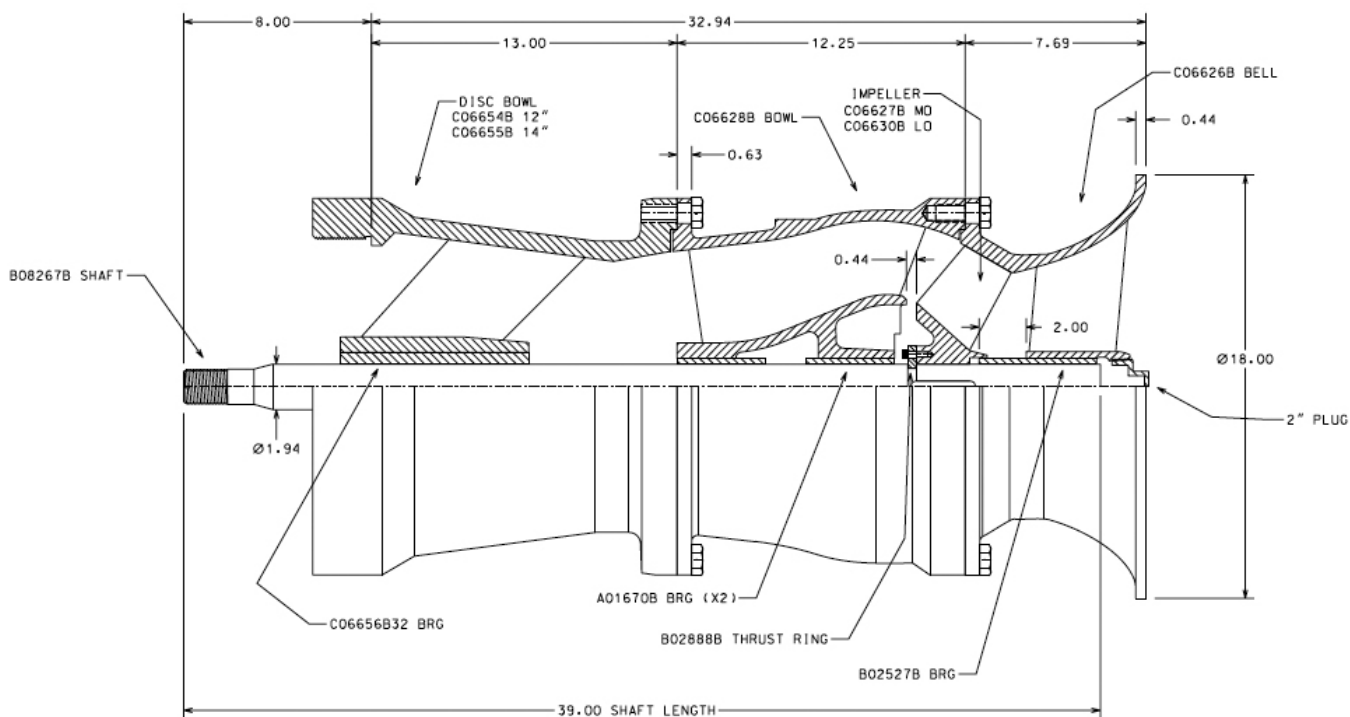
### 12MO Oil Lube - Threaded Bowl Assembly Layout



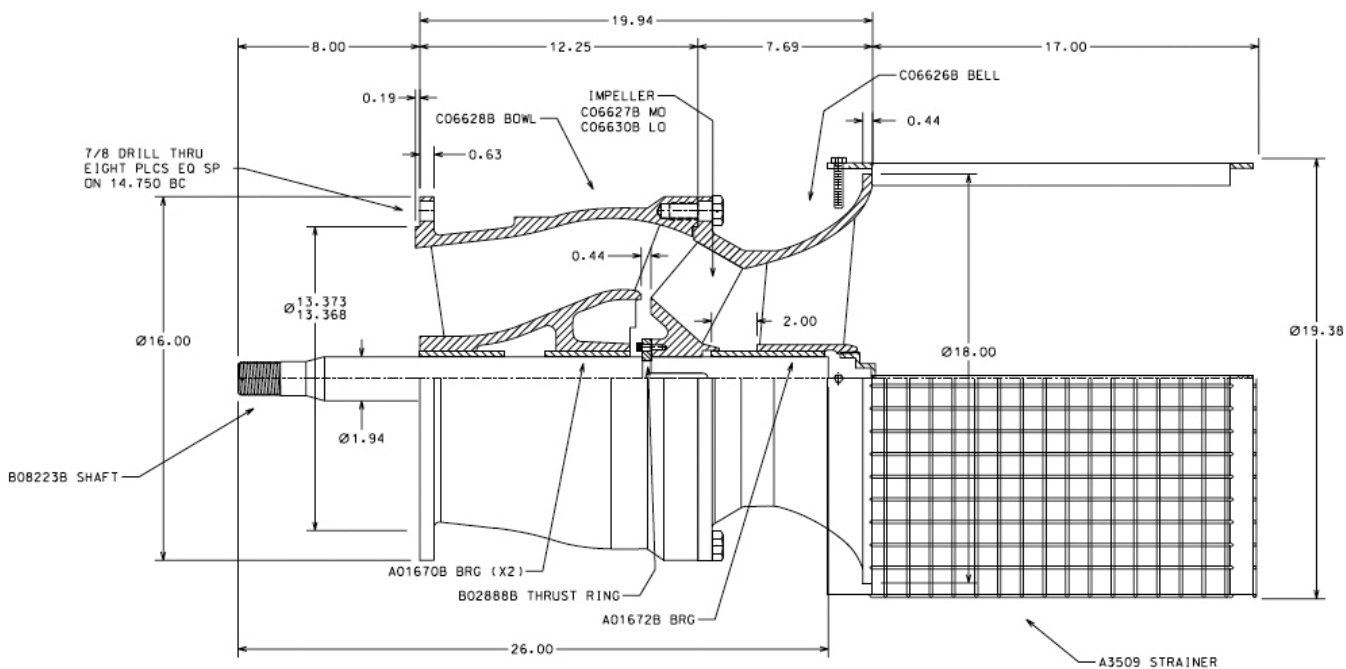
### 12MO Oil Lube - Flanged Bowl Assembly Layout

**NOTE:** All dimensions shown in inches.

### 12MO Dimensional Drawings - W/L Bowl Assembly



12MO Water Lube - Threaded Bowl Assembly Layout



12MO Water Lube - Flanged Bowl Assembly Layout

**NOTE:** All dimensions shown in inches.

# Xylem |'zīləm|

- 1) The tissue in plants that brings water upward from the roots;
- 2) a leading global water technology company.

We're 12,500 people unified in a common purpose: creating innovative solutions to meet our world's water needs. Developing new technologies that will improve the way water is used, conserved, and re-used in the future is central to our work. We move, treat, analyze, and return water to the environment, and we help people use water efficiently, in their homes, buildings, factories and farms. In more than 150 countries, we have strong, long-standing relationships with customers who know us for our powerful combination of leading product brands and applications expertise, backed by a legacy of innovation.

**For more information on how Xylem can help you, go to [www.xyleminc.com](http://www.xyleminc.com)**



Xylem, Inc.  
P.O. Box 5487  
Lubbock, TX 79408  
Phone: (806) 763-7867  
Fax: (800) 453-4749  
[www.xyleminc.com/brands/gouldswatertechnology](http://www.xyleminc.com/brands/gouldswatertechnology)

Goulds is a registered trademark of Goulds Pumps, Inc. and is used under license.  
© 2012 Xylem Inc. B6-12MXFL50 September 2010