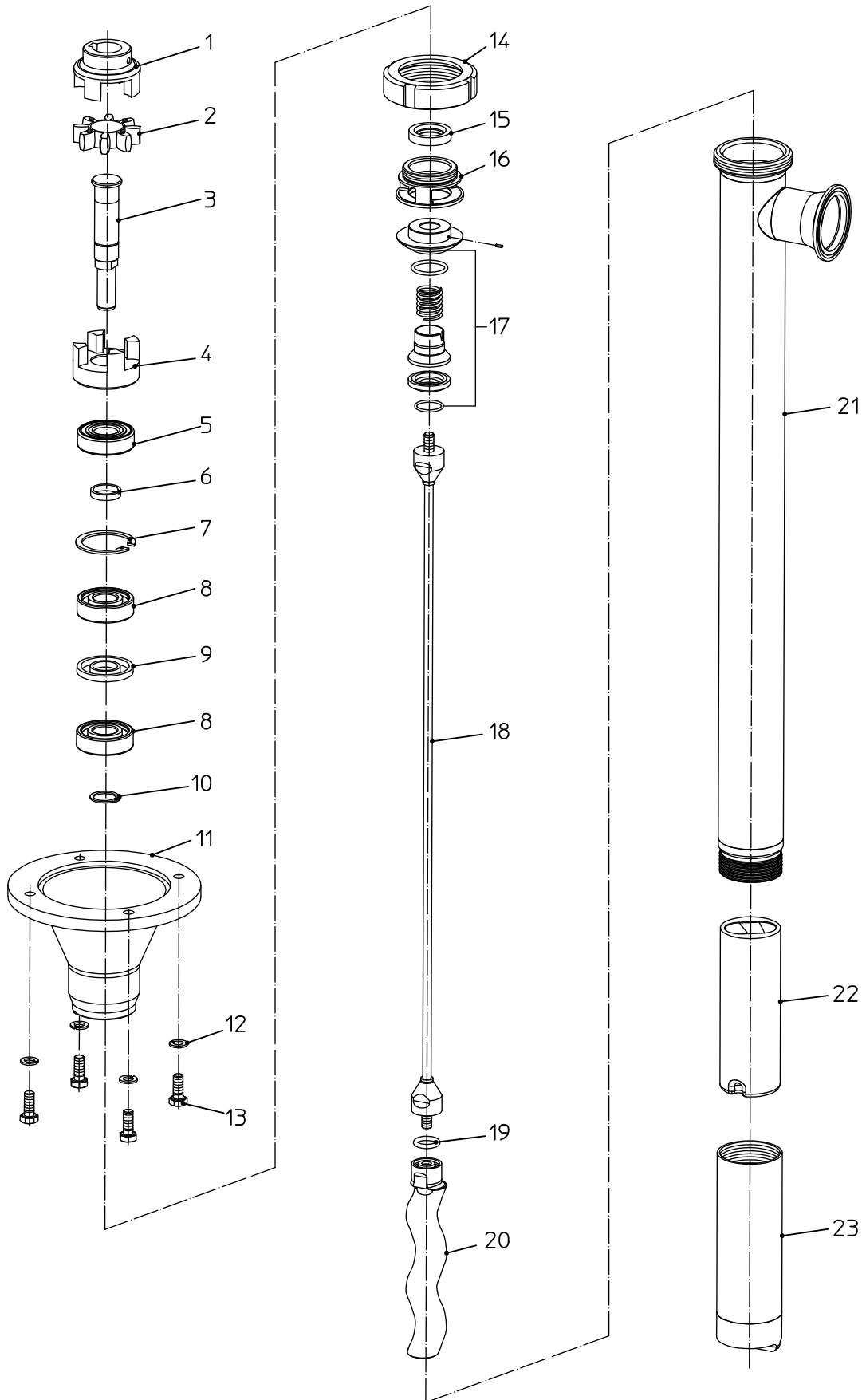




Exzentrerschneckenpumpe F 560 S3A-50/21
Eccentric worm-drive pump F 560 S3A-54/26
Pompe à vis hélicoïdale excentrée





Item No.	Qty. per unit	Description	Part No.	
			F 560 S3A-50/21	F 560 S3A-54/21
		Version according to exploded view No. 560 80 015 – 11/2010 – from Serial No. 5602000		
1	1	Coupling, motor side	560 28 039	560 28 039
2	1	Coupling insert	620 14 004	620 14 004
3	1	Upper shaft	560 28 019	560 28 019
4	1	Coupling, pump side	560 28 014	560 28 014
5	2	Sprag clutch	923 99 000	923 99 000
6	1	Distance ring	550 24 320	550 24 320
7	1	Circlip	918 72 002	918 72 002
8	2	Grooved ball bearing	922 90 001	922 90 001
9	1	Distance ring	550 24 302	550 24 302
10	1	Circlip	918 40 000	918 40 000
11	1	Bearing flange	560 28 020	560 28 020
12	4	Spring washer	909 95 002	909 95 002
13	4	Hexagonal screw	900 91 009	900 91 009
14	1	Cap nut	907 90 056	907 90 056
15	1	Shaft seal	925 40 001	925 40 001
		Food grade grease / kg	952 00 012	952 00 012
16	1	Centring flange	550 24 349	550 24 349
17	1	Seal kit, consisting of:	560 28 194	560 28 195
	1	Centring disc (c/w grooved pin 914 45 001)	560 28 008	560 28 009
	1	Sliding ring gasket complete comprising:	958 25 119	958 25 119
		O-ring Ø 25,07 x 2,62 (FKM)	925 55 025	925 55 025
		Sleeve with SiC-ring	560 28 192	560 28 192
		Support for sliding ring with SiC-ring	560 28 193	560 28 193
		O-ring Ø 20,35 x 1,78 (FKM)	925 45 027	925 45 027
19	1	Shaft, immersion length 700 mm	560 28 073	560 28 073
	1	Shaft, immersion length 1000 mm	560 28 074	560 28 074
	1	Shaft, immersion length 1200 mm	560 28 075	560 28 075
	1	Shaft, immersion length 1500 mm	560 28 076	560 28 076

Attention: Please always give full description, part no. and quantity of parts required.



Item No.	Qty. per unit	Description	Part No. F 560 S3A-50/21	Part No. F 560 S3A-54/21
Version according to exploded view No. 560 80 015 – 11/2010 – from Serial No. 5602000				
19	1	O-ring Ø 15 x 3,5 (FKM)	925 35 024	925 35 024
20	1	Eccentric worm	560 28 064	560 28 066
22	1	Outer tube, length 700 mm, ground and polished	560 28 060	560 28 114
	1	Outer tube, length 1000 mm, ground and polished	560 28 061	560 28 115
	1	Outer tube, length 1200 mm, ground and polished	560 28 062	560 28 116
	1	Outer tube, length 1500 mm, ground and polished	560 28 063	560 28 117
	1	Stator PTFE cpl., consisting of:	560 28 196	560 28 197
22	1	Stator PTFE	560 28 191	560 28 187
23	1	Stator housing	560 28 188	560 28 184

Attention: Please always give full description, part no. and quantity of parts required.