



**MYERS®**

OWNER'S MANUAL

**Preplumbed Sump Pump System**

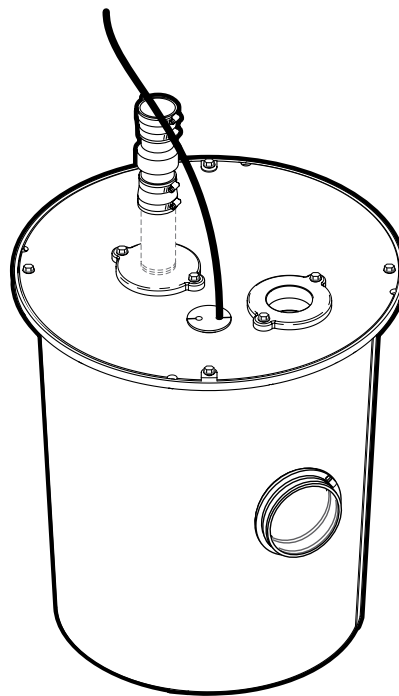
NOTICE D'UTILISATION

**Système de pompe d'assèchement  
préraccordé**

MANUAL DEL USUARIO

**Sistema de bomba de sumidero  
con plomería**

RADON PROOF  
À L'ÉPREUVE DU RADON  
A PRUEBA DE RADÓN



**MS1822**

**Installation/Operation/Parts**

*For further operating, installation,  
or maintenance assistance:*

**888-987-8677 US**  
**800-387-4386 CA**

**English ..... Pages 2-7**

**Installation/Fonctionnement/Pièces**

*Pour plus de renseignements  
concernant l'utilisation,  
l'installation ou l'entretien,*

**(888) 987-8677 US**  
**(800) 387-4386 CA**

**Français ..... Pages 8-13**

**Instalación/Operación/Piezas**

*Para mayor información sobre el  
funcionamiento, instalación o  
mantenimiento de la bomba:*

**888-987-8677 US**  
**800-387-4386 CA**

**Español ..... Páginas 14-19**

## Important Safety Instructions

SAVE THESE INSTRUCTIONS - This manual contains important instructions that should be followed during installation, operation, and maintenance of the product.

**⚠** This is the safety alert symbol. When you see this symbol on your pump or in this manual, look for one of the following signal words and be alert to the potential for personal injury!

**⚠ DANGER** indicates a hazard which, if not avoided, *will* result in death or serious injury.

**⚠ WARNING** indicates a hazard which, if not avoided, *can* result in death or serious injury.

**⚠ CAUTION** indicates a hazard which, if not avoided, *can or may* result in minor or moderate injury

**NOTICE** addresses practices not related to personal injury.

1. **Read these rules and instructions carefully.** Failure to follow them could cause serious bodily injury and/or property damage.
2. Check your local codes before installing. You must comply with their rules.

**⚠ WARNING** Hazardous voltage. Can shock, burn or kill. During operation the pump is in water. To avoid fatal shocks, proceed as follows if pump needs servicing:

- 3A. Disconnect power to outlet box before unplugging pump.
- 3B. Unplug the pump before handling or servicing it.
- 3C. Take extreme care when changing fuses. Do not stand in water or put your finger in the fuse socket.
- 3D. Do not modify the cord and plug. When using the cord and plug, plug into a grounded outlet only. When wiring to a system control, connect the pump ground lead to the system ground.
4. Do not run the pump dry. Dry running can overheat the pump (causing burns to anyone handling it), and will void the warranty.
5. The pump normally runs hot. To avoid burns when servicing pump, allow it to cool for 20 minutes after shutdown before handling it.
6. The pump is permanently lubricated. No oiling or greasing is required in normal operation.
7. Do not install the basin and pump in any location classified as hazardous by the United States National Electrical Code (NEC), or by the Canadian Electrical Code (CEC), where applicable.

### California Proposition 65 Warning

**⚠ WARNING** This product and related accessories contain chemicals known to the State of California to cause cancer, birth defects or other reproductive harm.

## PUMP SPECIFICATIONS

Power Supply Required .....	115V, 60 Hz
Individual Branch Circuit Required.....	15 Amps
Liquid Temperature Range.....	32°–70°F (0°–21°C)
Discharge Adapter .....	1-1/2" NPT
Vent Adapter .....	2" NPT
Inlet Hub .....	4" Slip Fit

## DESCRIPTION

The Myers Sump Pump System, Model Number MS1822, is ideal for basement and cellar installations. It includes a submersible sump pump and a corrosion-resistant sump basin and lid. The pump features a flush-mount system for maximum discharge of the basin. All components of the sump pump system are preassembled at the factory for easy installation.

This submersible pump is designed for sump drainage, dewatering and flood control. The pump has built-in thermal overload protection and an automatic reset. The mechanical seal and ball bearings on the motor shaft are permanently lubricated.

This system is designed for residential use only. The supplied hardware kit includes a rubber inlet hub, a cord grommet and an exterior check valve. No special tools or sealants are required.

**NOTICE:** This system is not designed for applications involving salt water or brine! Use with salt water or brine will void warranty.

Pump water only with this pump.

## INSTALLATION

### Piping

Piping must not be smaller than pump discharge.

### Electrical

**⚠ WARNING** Hazardous voltage. Can shock, burn, or kill. When installing, operating, or servicing this pump, follow the safety instructions listed below.

Do not lift pump by the power cord. See “Cord Lift Warning” on Page 5.

1. **DO NOT** splice the electrical power cord.
2. **DO NOT** allow the electrical cord plug to be submerged.
3. **DO NOT** use extension cords. They are a fire hazard and can reduce voltage sufficiently to prevent pumping and/or damage motor.
4. **DO NOT** handle or service the pump while it is connected to the power supply.
5. **DO NOT** remove the grounding prong from the plug or modify the plug. To protect against electrical shock, the power cord is a three-wire conductor and includes a 3-prong grounded plug. Plug the pump into a 3-wire, grounded, grounding-type receptacle. Connect the pump according to the NEC or CEC and local codes.

Connect or wire pump to its own individual branch circuit with no other outlets or equipment in the circuit. Size fuses or circuit breakers according to the “Pump, Motor, Switch and Cord Specifications” chart.

**⚠ WARNING** Risk of electrical shock and fire. Be sure that power supply information (Voltage/ Hertz/Phase) in this manual matches incoming power supply exactly. Install pump according to all electrical codes that apply.

**NOTICE:** Proper ventilation is needed to prevent negative basin pressure and to provide air within the basin.

The basin should be located at the lowest place in the basement or area to be drained. Floor drains from other areas in the basement may be tiled into the basin. Drain tile around a house foundation may also be tiled into the basin, effectively removing water and relieving pressure from this area.

Basin covers are used to exclude refuse from the basin.

## PERFORMANCE

GPM (LPM) at total feet (m) of lift							
Basin	Pump Series	HP	Capacity Gallons(L)/Minute				No flow at height shown below
			5 (1.5m)	10 (3m)	15 (4.6m)	20 (6.1m)	
MS1822	MS33PV10	1/3	53 (201)	45 (170)	36 (136)	24 (91)	24 ft (7.3m)

## PUMP, MOTOR, SWITCH & CORD SPECIFICATIONS

Basin	Series	HP	Motor Full Load Amps	Branch Circuit Req. (Amps)	Switch Settings in inches (cm)	
					On	Off
MS1822	MS33PV10	1/3	4.0	15	7.5 (19.1)	3 (7.6)

## Installation Instructions. See Figure 1.

1. Dig the hole for the basin and the sub-base. The hole must be deep enough so the top of the basin is flush with the finished floor. Refer to Figure 1, Page 4.  
**NOTICE:** The sub-base should include 4" of sand or gravel. The maximum diameter of crushed rock should be 1/2". The recommended maximum diameter of pea gravel is 3/4".
2. Level the sub-base out until it is smooth. Sharp rock can damage the basin.
3. Reach into the inlet hole to retrieve the hardware kit. Locate the cord grommet in the hardware kit.
4. Reach into the inlet hole again to pull the power cord up through the cord grommet hole in the cover. Press the cord into the cord grommet and install the grommet in the cover.
5. Locate the inlet hub in the hardware kit, and snap it into the inlet hole.
6. Install the basin on top of the sub-base.
7. Insert a 4" inlet pipe through the inlet hub. Insert it 2" into the basin. Dish soap can be used to lubricate the inlet hub. If necessary, file the sharp edges of the pipe to prevent damage to the hub.  
**NOTICE:** The inlet pipe should pitch down to the basin inlet at 1/4" per foot. This will cause the water to run into the basin.
8. Backfill around the basin with crushed rock, with a maximum diameter of 1/2", or use pea gravel.
9. Install a 1-1/2" discharge pipe into the 1-1/2" FNPT discharge flange.
10. Install a 2" vent pipe into the 2" FNPT threaded vent flange. The vent pipe must go through the roof of the building or it can be connected to an existing vent pipe. The sump basin must be vented.  
**NOTICE:** Proper ventilation is needed to prevent negative basin pressure and to provide the necessary air within the basin. Do not use a 1-way vent of any kind.
11. Install the 1-1/2" check valve (supplied) in the discharge pipe. See Figure 1. Make certain the flow indicating arrow points away from the pump. This check valve will keep the water from running back into the basin when the pump is not running.  
**NOTICE:** To prevent clogging the pump, clear basin of any debris if you remove the cover during or after installation. **Unplug the pump first.**
12. Plug the pump into a properly grounded outlet.
13. Check the operation by filling the basin with water and observing pump operation through one complete cycle. Make sure that no parts of the assembly interfere with the float.

**⚠ WARNING** Failure to make this operational check may lead to improper operation, premature failure, and flooding.

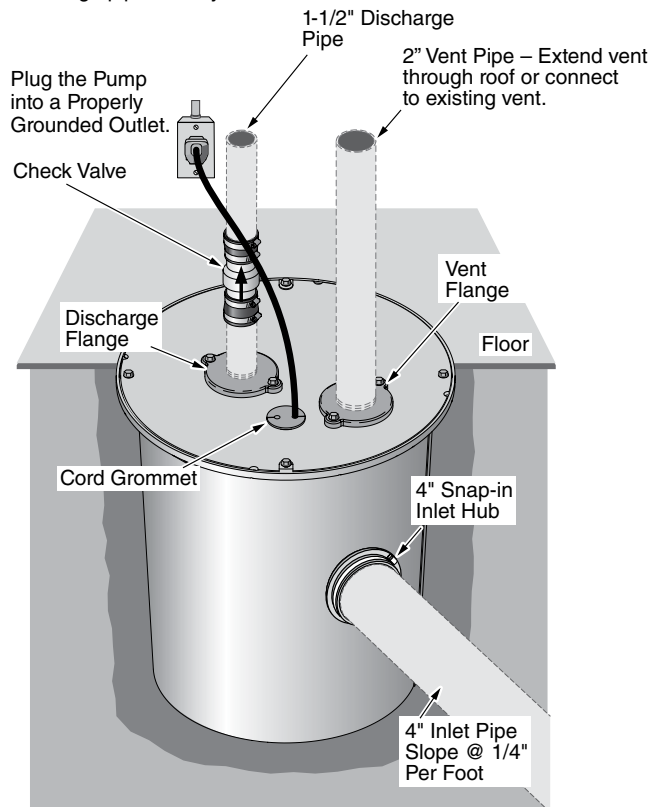
## OPERATION

**NOTICE:** The shaft seal depends on water for lubrication and cooling. Do not operate the pump unless it is submerged in water as the seal may be damaged if allowed to run dry. Allowing the pump to run dry will void the warranty.

An automatic overload protector in the motor will protect the motor from burning out due to overheating/overloading. When the motor cools down, the overload protector will automatically reset and start the motor.

If the overload trips frequently, check for the cause. It could be a stuck impeller, wrong/low voltage, or an electrical failure in the motor. If an electrical failure in the motor is suspected, have it serviced by a competent repairman.

Purchase inlet, vent and discharge pipes locally.



6904 0717

**Figure 1: Typical Installation**

The pump is permanently lubricated. No oiling or greasing is required.

**NOTICE:** The pump will not remove all water. For extended operation, water depth must be at least 5" (13 cm) to prevent motor overheating.

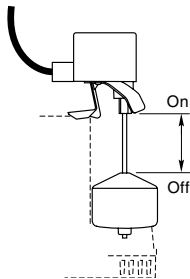
### Airlocks

When a pump airlocks, it runs but does not move any water. An airlock will cause the pump to overheat and fail. The discharge pipe is plumbed with a predrilled anti-airlock hole. Leakage from the anti-airlock hole is normal during pump operation.

### Float Switch – Operational Check

1. Fill the sump with the correct amount of water to check the operation and tightness of the connections. During the first automatic cycle, it may take 30 seconds or more before the pump is primed and pumping. The pump will start as indicated in the "Pump, Motor, Switch and Cord Specifications" table on Page 3.
2. Check the turn-off position. The pump will stop approximately as indicated in the "Pump, Motor, Switch and Cord Specifications" table on Page 3.
3. If the pump does not operate, check the electrical service.

The vertical float has a short range of motion along a vertical rod, which helps prevent the float from sticking.



## MAINTENANCE

**⚠ WARNING** Hazardous voltage. Can shock, burn, or kill. Before removing the pump from the basin for service, always disconnect electrical power to the pump and the control switch. Do not lift the pump by the power cord. See the "Cord Lift Warning" below.

**NOTICE:** To prevent clogging the pump, clear basin of any debris if you remove the cover during or after installation. **Unplug the pump first.**

**NOTICE:** The pump should only be serviced by trained personnel. There are no consumer serviceable parts inside the pump.

Disconnect the discharge and vent pipes from the unit, remove the four basin cover bolts, and then lift the pump out of the basin using the pump handle.

DO NOT attempt to open the pump further than removing the bottom plate.

The pump motor housing contains a special lubricating oil which should be kept clean and free of water at all times.

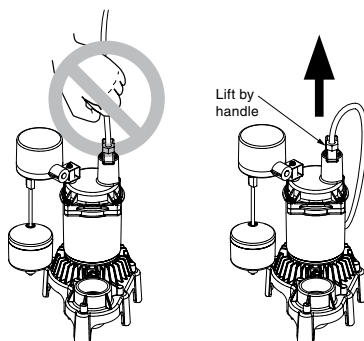
The sump basin and cover, pump, and piping should be protected from freezing temperatures.

### ⚠ WARNING

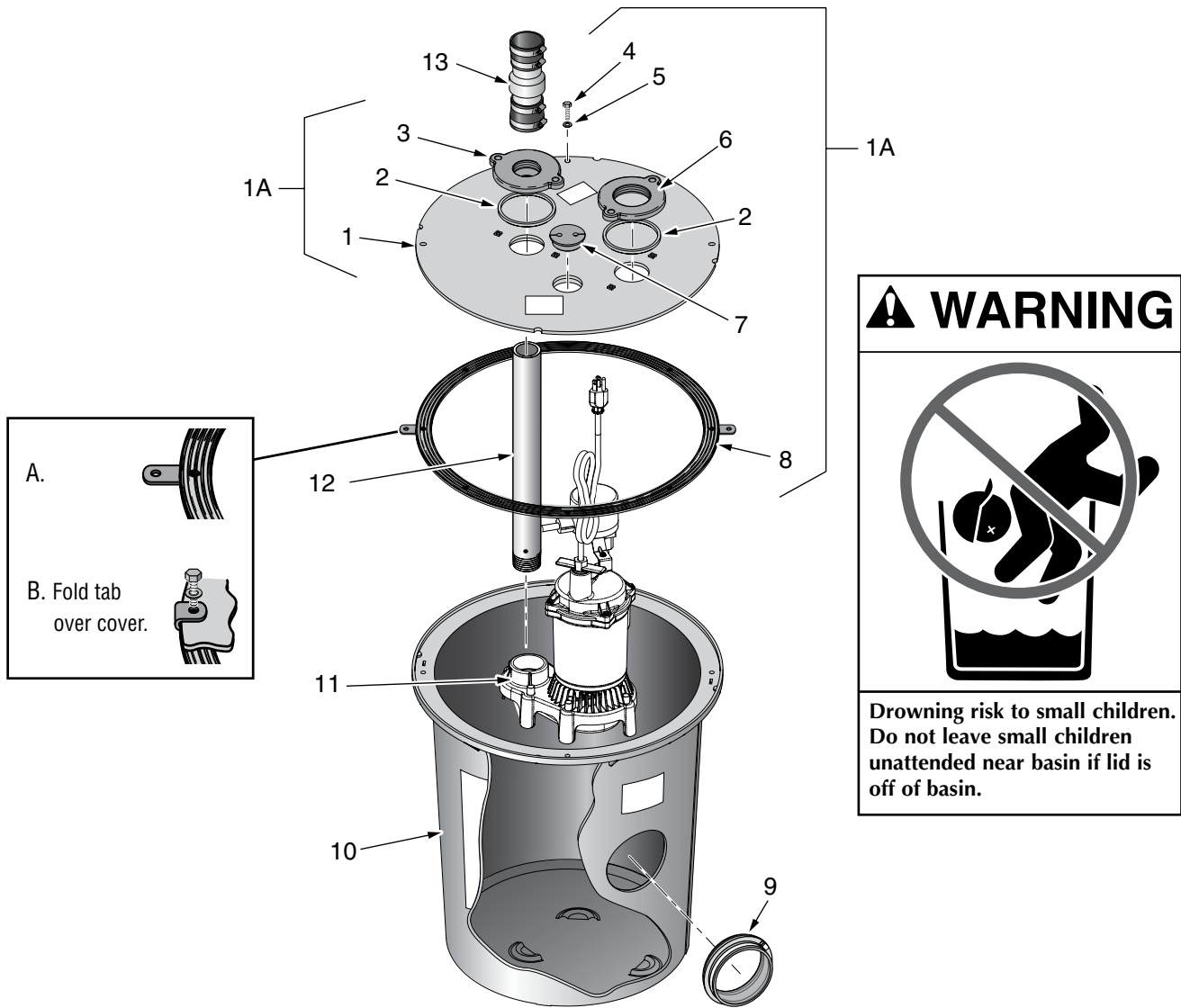


Risk of electrical shock.  
Can burn or kill.  
Do not lift pump by power cord.

### CORD LIFT WARNING



1. Attempting to lift or support pump by power cord can damage cord and cord connections.
2. Cord may pull apart, exposing bare wires with possibility of fire or electrical shock.
3. Lifting or supporting pump by power cord will void warranty.
4. Use handle on top of pump for all lifting/lowering of pump. Disconnect power to pump before doing any work on pump or attempting to remove pump from sump.



**REPAIR PARTS – PRE-PLUMBED SYSTEMS**

Key No.	Part Description	Qty.	MS1822
1A	Basin Cover Assembly (Includes Nos. 1-8)	1	PW73-65P
1	Basin Cover	1	-
2	Square Cut O-Ring	2	-
3	Discharge Flange, 1-1/2"	1	-
4	Basin Bolt	8	-
5	Flat Washer	8	-
6	Vent Flange, 2"	1	-
7	Cord Grommet	1	-
8	Seal Ring	1	-
9	Inlet Hub, Snap-In	1	PW73-67
10	Sump Basin	1	-
11	Sump Pump	1	MS33PV10
12	Discharge Pipe - 1-1/2" PVCx19.15"	1	*
13	Check Valve	1	FP0026-10-P2

\* Purchase local (Pipe threaded on end)

## Limited Warranty

Myers® warrants to the original consumer purchaser ("Purchaser" or "You") of the products listed below, that they will be free from defects in material and workmanship for the Warranty Period shown below.

<b>Product</b>	<b>Warranty Period</b> whichever occurs first:
Jet pumps, small centrifugal pumps, submersible pumps and related accessories	12 months from date of original installation, or 18 months from date of manufacture
Fibrewound Tanks	5 years from date of original installation
Steel Pressure Tanks	5 years from date of original installation
Sump/Sewage/Effluent Products	12 months from date of original installation, or 36 months from date of manufacture
Battery Backup Units MBSP-2, MBSP-2C	12 months from date of original installation, or 18 months from date of manufacture
MBSP-3, MBSP-3C	24 months from date of original installation, or 30 months from date of manufacture
Wastewater Solids Handling Pumps	12 months from date of shipment from factory or 18 months from date of manufacture

Our warranty applies only where such products are used in compliance with the requirements of the applicable product catalog and/or manuals. For additional information, please refer to the applicable standard limited warranty featured in the product manual.

Our warranty will not apply to any product that, in our sole judgement, has been subject to negligence, misapplication, improper installation, or improper maintenance. Without limiting the foregoing, operating a three phase motor with single phase power through a phase converter will void the warranty. Note also that three phase motors must be protected by three-leg, ambient compensated, extra-quick trip overload relays of the recommended size or the warranty is void.

Your only remedy, and MYERS's only duty, is that MYERS repair or replace defective products (at MYERS's choice). You must pay all labor and shipping charges associated with this warranty and must request warranty service through the installing dealer as soon as a problem is discovered. No request for service will be accepted if received after the Warranty Period has expired. This warranty is not transferable.

MYERS SHALL NOT BE LIABLE FOR ANY CONSEQUENTIAL, INCIDENTAL, OR CONTINGENT DAMAGES WHATSOEVER.

THE FOREGOING LIMITED WARRANTIES ARE EXCLUSIVE AND IN LIEU OF ALL OTHER EXPRESS AND IMPLIED WARRANTIES, INCLUDING BUT NOT LIMITED TO IMPLIED WARRANTIES OF MERCHANTABILITY AND FITNESS FOR A PARTICULAR PURPOSE. THE FOREGOING LIMITED WARRANTIES SHALL NOT EXTEND BEYOND THE DURATION PROVIDED HEREIN.

Some states do not allow the exclusion or limitation of incidental or consequential damages or limitations on the duration of an implied warranty, so the above limitations or exclusions may not apply to You. This warranty gives You specific legal rights and You may also have other rights which vary from state to state.

This Limited Warranty is effective April 1, 2014 and replaces all undated warranties and warranties dated before April 1, 2014.

### **F.E. MYERS**

**293 Wright Street, Delavan, WI 53115**

**Phone: 888-987-8677 • Fax: 800-426-9446 • [www.femyers.com](http://www.femyers.com)**

**In Canada: 490 Pinebush Road, Unit 4, Cambridge, Ontario N1T 0A5**

**Phone: 800-363-7867 • Fax: 888-606-5484**

## Consignes de sécurité importantes

CONSERVER CES DIRECTIVES - Ce manuel contient des directives importantes devant être respectées lors de l'installation, de l'utilisation et de l'entretien de ce produit. **⚠** Il s'agit du symbole d'alerte à la sécurité. Ce symbole, lorsqu'il se trouve sur votre pompe ou votre manuel, signale qu'il faut chercher la présence de l'un de ces mots indicateurs et être conscient des risques de blessure!

**⚠ DANGER** indique un risque qui, s'il n'est pas évité, causera des blessures graves, voire la mort.

**⚠ AVERTISSEMENT** indique un risque qui, s'il n'est pas évité, peut causer des blessures graves, voire la mort.

**⚠ ATTENTION** indique un risque qui, s'il n'est pas évité, peut causer des blessures mineures, voire modérées.

**AVIS** vise des pratiques qui ne concernent pas les blessures.

1. **Lire attentivement toutes les instructions et consignes de sécurité.** Si on ne respecte pas ces recommandations, on risque de subir de graves blessures corporelles et de causer des dommages matériels.
2. Avant de procéder à l'installation, consulter les codes de la municipalité. Il est impératif de s'y conformer.

**⚠ AVERTISSEMENT** **Tension dangereuse. Risque d'électrocution, de brûlures ou de mort. Pendant son fonctionnement, la pompe est dans l'eau. Pour éviter les électrocutions mortelles, procéder comme suit si la pompe doit être réparée :**

- 3A. Couper l'alimentation de la boîte de sortie avant de débrancher la pompe.
  - 3B. Débrancher la pompe avant de la manipuler ou de la réparer.
  - 3C. Faire extrêmement attention pour changer les fusibles. Ne pas se tenir dans l'eau ni mettre le doigt dans la douille du fusible.
  - 3D. Ne pas modifier le cordon ni la fiche. En cas d'utilisation du cordon et de la fiche, brancher cette dernière dans une prise reliée à la terre uniquement. En cas de câblage à un système de commande, brancher le fil de terre de la pompe à la terre du système.
4. Ne pas faire fonctionner la pompe à sec. Un fonctionnement à sec peut causer une surchauffe de la pompe (causant des brûlures à toute personne la manipulant), et annulera la garantie.
  5. La pompe chauffe normalement quand elle fonctionne. Pour éviter de se brûler en manipulant la pompe, la laisser refroidir pendant 20 minutes après l'arrêt avant d'y toucher.
  6. La pompe est lubrifiée à vie. Il n'est pas nécessaire de la huiler ou de la graisser en fonctionnement normal.
  7. Ne pas installer la cuve et la pompe dans un endroit classé comme dangereux selon le United States National Electrical Code (NEC), ou selon le Code canadien de l'électricité (CCE), selon le cas.

### Avertissement relatif à la Proposition 65 en California

**⚠ AVERTISSEMENT** Ce produit, de même que les accessoires qui y sont associés, contient des produits chimiques considérés cancérigènes ou pouvant causer des déficiences de naissance ou autres problèmes reproductifs par l'état de la California.

## SPÉCIFICATIONS DE LA POMPE

Alimentation électrique requise ..... 115 V, 60 Hz  
 Circuit de dérivation individuel requis..... 15 A  
 Plage de températures des liquides. 32°–70°F (0°–21°C)  
 Adaptateur de refoulement ..... 1-1/2 po NPT  
 Adaptateur de tuyau de ventilation.....2 po NPT  
 Emboîtement d'entrée.....Ajustement glissant de 4 po

## DESCRIPTION

Le système de pompe d'assèchement Myers, numéro de modèle MS1822, est idéal pour les installations dans les sous-sols et les caves.

Il comprend une pompe d'assèchement immergée et un puisard résistant à la corrosion avec un couvercle. La pompe est dotée d'un système de montage affleurant pour un refoulement maximal du puisard. Tous les composants du système de pompe d'assèchement sont prémontés en usine pour une installation facile.

Cette pompe immergée est conçue pour la vidange de puisard, l'assèchement, et le contrôle des crues. La pompe est dotée d'une protection intégrée contre les surcharges avec réenclenchement automatique. Le joint mécanique et les roulements à billes de l'arbre du moteur sont lubrifiés à vie.

Ce système est conçu pour un usage résidentiel seulement. La trousse de quincaillerie fournie comprend un emboîtement d'entrée en caoutchouc, un passe-câble et un clapet antiretour extérieur. Aucun outil spécial ou produit d'étanchéité n'est nécessaire.

**AVIS :** Ce système n'est pas conçu pour pomper de l'eau salée ni de la saumure! L'utilisation avec de l'eau salée ou de la saumure annulera la garantie.

Ne pomper que de l'eau avec cette pompe.



## INSTALLATION

### Tuyauterie

La tuyauterie ne doit pas être plus petite que l'entrée de refoulement de la pompe.

### Alimentation électrique

**⚠ AVERTISSEMENT** Tension dangereuse. Risque d'électrocution, de brûlures ou de mort. Pour installer, utiliser ou entretenir cette pompe, suivre les instructions de sécurité figurant ci-dessous.

Ne pas soulever la pompe par le cordon d'alimentation. Voir « Avertissement relatif au cordon d'alimentation » à la page 11.

1. **Ne pas** faire d'épissure sur le cordon d'alimentation électrique.
2. **Ne pas** immerger la fiche du cordon d'alimentation électrique.
3. **Ne pas** utiliser de rallonges. Elles présentent un risque d'incendie et peuvent réduire suffisamment la tension pour empêcher le pompage et/ou endommager le moteur.
4. **Ne pas** manipuler ou entretenir la pompe pendant qu'elle est branchée à l'alimentation électrique.
5. **Ne pas** retirer la borne de terre de la fiche ni modifier celle-ci. Pour protéger l'utilisateur contre les risques d'électrocution, le cordon d'alimentation comporte trois fils et une fiche à trois bornes avec prise de terre. Brancher la pompe dans une prise à trois fils, avec prise de terre. Brancher la pompe conformément aux codes NEC ou CCE ou locaux.

Brancher ou câbler la pompe à son propre circuit de dérivation individuel sans autre prise ni équipement dans le circuit. Le calibre des fusibles ou disjoncteurs doit être conforme au tableau « Spécifications de la pompe, du moteur, de l'interrupteur et du cordon. »

**⚠ AVERTISSEMENT** Risque d'électrocution et d'incendie. S'assurer que les informations d'alimentation électrique (tension/fréquence/phase) du présent manuel correspondent exactement à l'alimentation électrique d'entrée. Installer la pompe conformément aux codes électriques applicables.

**AVIS :** Une ventilation adéquate est nécessaire pour empêcher une pression négative du puisard et pour alimenter celui-ci en air.

Le puisard doit être situé à l'endroit le plus bas du sous-sol ou de la zone à vidanger. Les siphons de plancher des autres zones du sous-sol peuvent être reliés au puisard. Les tuyaux de drainage autour des fondations de la maison peuvent également être reliés au puisard, ce qui éliminera efficacement l'eau et réduira la pression dans ces endroits.

Des couvercles de puisard sont utilisés pour empêcher les saletés d'entrer dans le puisard.

## FONCTIONNEMENT

Gal./min(L/min) à hauteur totale de refoulement en pieds (m)							
Puisard	Série de la pompe	Ch	Capacité en gallons (l)/minute				Pas de débit à la hauteur indiquée ci-dessous
			5 (1,5m)	10 (3m)	15 (4,6m)	20 (6,1m)	
MS1822	MS33PV10	1/3	53 (201)	45 (170)	36 (136)	24 (91)	24 pi (7,3m)

## SPÉCIFICATION DE LA POMPE, DU MOTEUR, DE L'INTERRUPTEUR ET DU CORDON

Puisard	Série de la pompe	Ch	Intensité à pleine charge du moteur	Circuit de dérivation nécessaire (A)	Réglages de l'interrupteur en pouces (cm)	
					Marche	Arrêt
MS1822	MS33PV10	1/3	4.0	15	7,5 (19,1)	3 (7,6)

## Instructions d'installation, voir figure 1.

1. Creuser le trou pour le puisard et la couche de fondation. Le trou doit être suffisamment profond pour que le haut du puisard soit de niveau avec le sol fini. Voir la figure 1 de la page 4.

**AVIS :** La couche de fondation devra être constituée de 4 po de sable ou de gravier. Le diamètre maximal des pierres concassées doit être de 1/2 po. Le diamètre maximal recommandé du gravier est de 3/4 po.

2. Nivelier la couche de fondation jusqu'à ce qu'elle soit lisse. Des pierres pointues peuvent endommager le puisard.
3. Passer par le trou d'entrée pour récupérer la trousse de quincaillerie. Retrouver le passe-câble du cordon dans la trousse de quincaillerie.
4. Passer à nouveau par le trou d'entrée pour tirer le cordon d'alimentation vers le haut à travers le trou passe-fil dans le couvercle. Enfoncer le cordon dans le passe fil et poser le passe-fil dans le couvercle.
5. Retrouver l'emboîtement d'entrée dans la trousse de quincaillerie et l'enfoncer dans le trou d'entrée.
6. Poser le puisard sur la couche de fondation.
7. Insérer un tuyau d'entrée de 4 po à travers l'emboîtement d'entrée. Le faire descendre de 2 po dans le puisard. On peut utiliser du savon à vaisselle pour lubrifier l'emboîtement d'entrée. Si nécessaire, limer les bords coupants du tuyau pour éviter d'endommager l'emboîtement.

**AVIS :** Le tuyau d'entrée devrait être incliné dans l'entrée du puisard de 1/4 po par pied. De cette façon l'eau s'écoulera dans le puisard.

8. Remblayer autour du puisard avec des pierres concassées d'un diamètre maximal de 1/2 po ou utiliser du gravier.
9. Poser un tuyau de refoulement de 1-1/2 po dans la bride de refoulement de 1-1/2 po FNPT.
10. Posez tuyau de ventilation de 2 po dans la bride de ventilation fileté de 2 po FNPT. Le tuyau de ventilation doit passer à travers le toit du bâtiment ou il peut être branché à un tuyau de ventilation existant. Le puisard doit être ventilé.

**AVIS :** Une ventilation adéquate est nécessaire pour empêcher une pression négative du puisard et pour alimenter celui-ci en air. Ne pas utiliser d'évent à sens unique.

11. Poser le clapet antiretour (fourni) de 1-1/2 po dans le tuyau de refoulement. Voir la figure 1. S'assurer que la flèche indiquant le sens de débit est orientée dans le sens inverse de la pompe. Ce clapet antiretour empêchera l'eau de revenir dans le puisard quand la pompe ne tourne pas.

**AVIS :** Pour empêcher le colmatage de la pompe, retirer les débris du puisard si l'on enlève le couvercle pendant ou après l'installation. **Commencer par débrancher la pompe.**

12. Brancher la pompe dans une prise correctement reliée à la terre.
13. Vérifier le fonctionnement en remplissant le puisard avec de l'eau et en observant le comportement de la pompe sur un cycle complet. S'assurer qu'aucune pièce de l'ensemble ne touche au flotteur.

**⚠ AVERTISSEMENT** Ne pas faire cette vérification fonctionnelle peut occasionner un mauvais fonctionnement, une panne prématurée et un débordement.

## FONCTIONNEMENT

**AVIS :** Le joint d'arbre a besoin d'eau pour sa lubrification et son refroidissement. Ne pas utiliser la pompe si elle n'est pas immergée dans l'eau, car le joint peut être endommagé s'il fonctionne à sec. Le fait de laisser la pompe tourner à sec annulera la garantie.

Un dispositif automatique de protection contre les surcharges dans le moteur l'empêche de griller à cause d'une surchauffe/surcharge. Quand le moteur refroidit, le dispositif de protection se réenclenche automatiquement et démarre le moteur.

Si le dispositif se déclenche fréquemment, vérifier l'origine du problème. Il pourrait s'agir d'un impulseur bloqué, d'une tension erronée/basse ou d'une panne électrique dans le moteur. Si l'on soupçonne une panne électrique du moteur, le faire réparer par un réparateur compétent.

Acheter localement les tuyaux d'entrée, de ventilation et de refoulement.

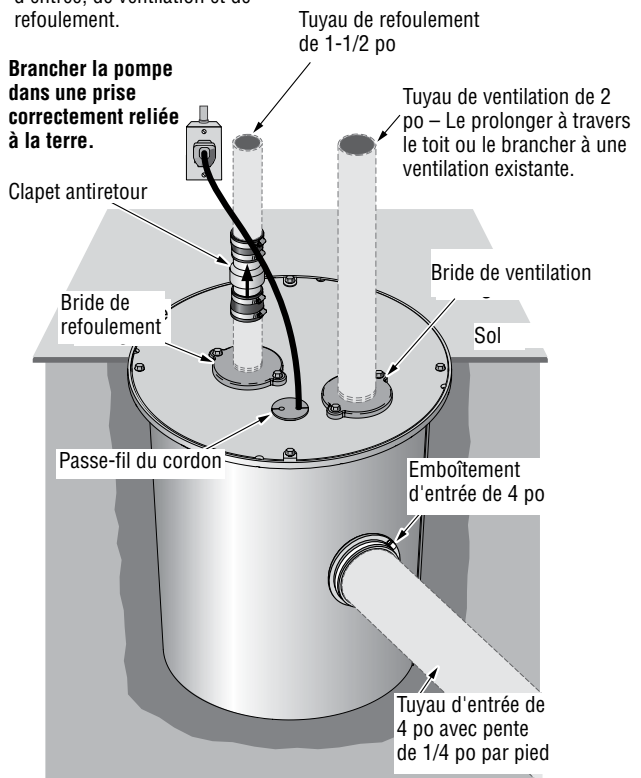


Figure 1: Installation type

La pompe est lubrifiée à vie. Il n'est pas nécessaire de l'huiler ou de la graisser.

**AVIS :** La pompe n'évacue pas toute l'eau. Pour fonctionner longtemps, la profondeur d'eau doit être d'au moins 5 po (13 cm) pour empêcher le moteur de surchauffer.

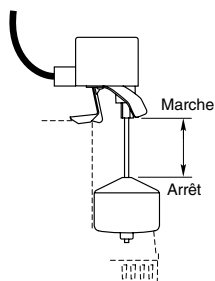
## Poches d'air

Quand il se forme une poche d'air dans une pompe, celle-ci tourne, mais ne pompe pas l'eau. Une poche d'air cause une surchauffe de la pompe et une panne. Le tuyau de refoulement est doté d'un trou anti-poche d'air prépercé. Il est normal que de l'eau sorte du trou anti-poche d'air pendant le fonctionnement de la pompe.

## Interrupteur flottant – Vérification fonctionnelle

1. Remplir le puisard avec la quantité correcte d'eau pour vérifier le fonctionnement et l'étanchéité des branchements. Pendant le premier cycle automatique, cela peut prendre jusqu'à 30 secondes ou plus avant que la pompe soit amorcée et commence à pomper. La pompe redémarrera comme indiqué dans le tableau « Spécifications de la pompe, du moteur, de l'interrupteur et du cordon » de la page 3.
2. Vérifier la position d'arrêt. La pompe s'arrêtera environ comme indiqué dans le tableau « Spécifications de la pompe, du moteur, de l'interrupteur et du cordon » de la page 3.
3. Si la pompe ne fonctionne pas, vérifiez l'alimentation électrique.

Le flotteur vertical a une courte amplitude de déplacement le long d'une tige verticale, ce qui l'évite de se bloquer.



## ENTRETIEN

**⚠ AVERTISSEMENT** Tension dangereuse. Risque d'électrocution, de brûlures ou de mort. Avant de sortir la pompe du puisard pour l'entretien, toujours débrancher l'alimentation électrique de la pompe et de l'interrupteur de commande. Ne pas soulever la pompe par le cordon d'alimentation. Voir « Avertissement relatif au cordon d'alimentation » ci-dessous.

**AVIS :** Pour empêcher le colmatage de la pompe, retirer les débris du puisard si l'on enlève le couvercle pendant ou après l'installation. Commencer par débrancher la pompe.

**AVIS :** La pompe ne doit être réparée que par du personnel compétent. Il n'y a pas de pièces pouvant être réparées par un utilisateur à l'intérieur de la pompe.

Débrancher les tuyaux de refoulement et de ventilation du puisard, retirer les quatre boulons du couvercle puis soulever la pompe hors du puisard avec sa poignée.

NE PAS essayer d'ouvrir la pompe sinon en retirant la plaque inférieure.

Le carter du moteur de pompe contient une huile de lubrification spéciale qui doit toujours être conservée propre et ne doit pas contenir d'eau.

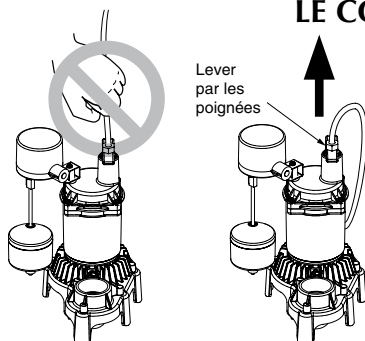
Le puisard et son couvercle, la pompe et les tuyauteries doivent être protégés du gel.

### ⚠ AVERTISSEMENT

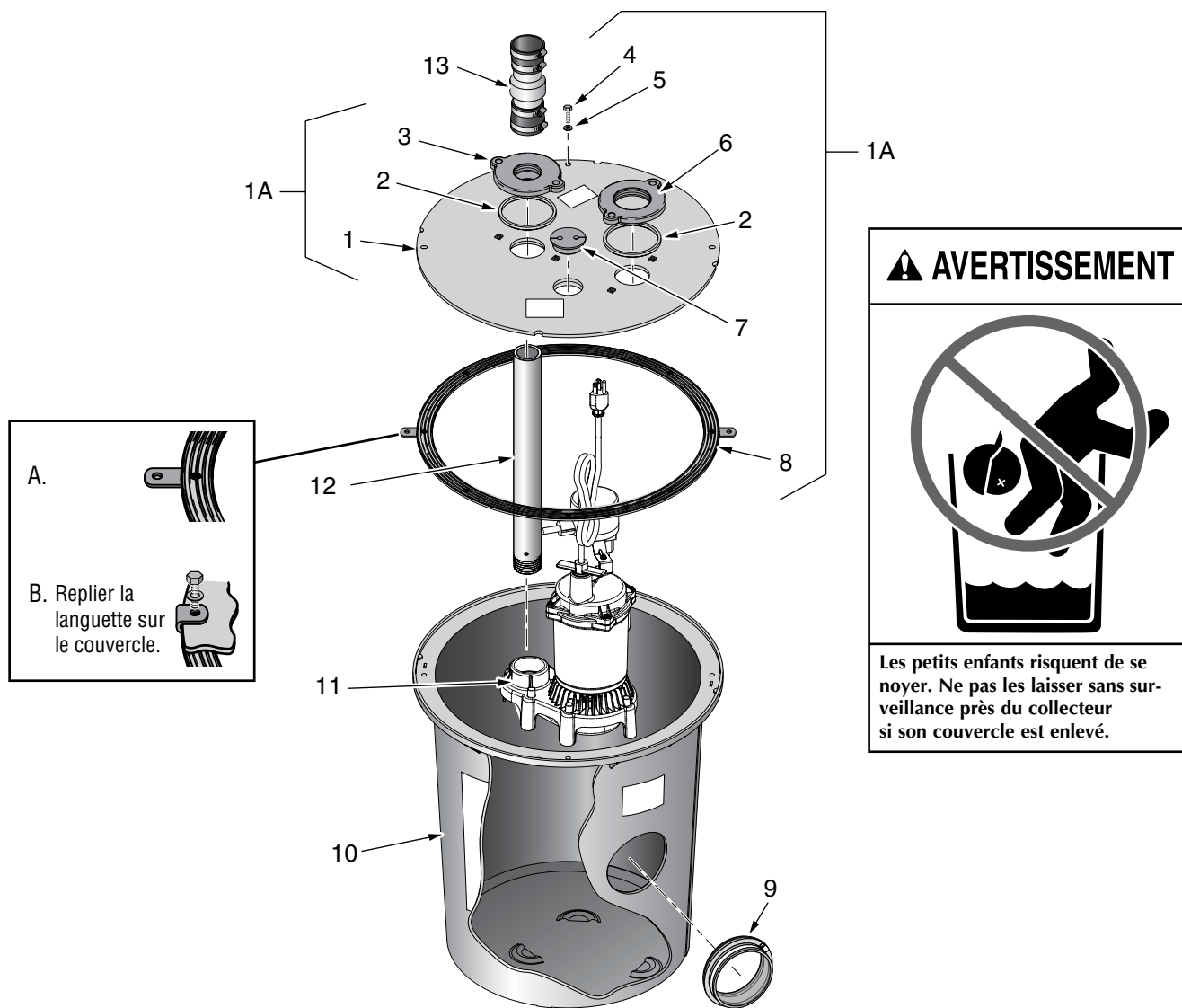


Risque de secousses électriques.  
Risque de brûlures, voire de mort.  
Ne pas lever la pompe par son cordon électrique.

### AVERTISSEMENT CONCERNANT LE LEVAGE PAR LE CORDON ÉLECTRIQUE



1. Essayer de lever ou de supporter la pompe par son cordon électrique endommagera le cordon et ses connexions.
2. Le cordon peut se détacher, ses fils nus peuvent être exposés et présenter un danger d'incendie ou de secousses électriques.
3. Lever ou porter la pompe par son cordon électrique annulera la garantie.
4. Toujours lever ou baisser la pompe par ses poignées. Avant d'intervenir sur la pompe ou la sortir du puisard, couper le courant qui l'alimente.



**PIÈCES DÉTACHÉES – SYSTÈMES PRÉRACCORDÉS**

Repère n°	Description des pièces	Qté	MS1822
1A	Ensemble de couvercle de puisard (Comprend rep. 1 à 8)	1	PW73-65P
1	Couvercle de puisard	1	-
2	Joint torique de section carrée	2	-
3	Bride de ventilation, 2 po	1	-
4	Boulon de puisard	8	-
5	Rondelle plate	8	-
6	Bride de refoulement, 1-1/2 po	1	-
7	Passe-fil du cordon	1	-
8	Bague d'étanchéité	1	-
9	Emboîtement d'entrée, à enclenchement	1	PW73-67
10	Bassin de puisard	1	-
11	Pompe d'assèchement	1	MS33PV10
12	Tuyau de refoulement - PVC 1 ½ po x 19,15 po de long	1	*

\*Acheter localement (tuyau fileté à l'extrémité)

**Garantie limitée :**

Myers® garantit à l'acheteur initial (« l'acheteur » ou « vous ») des produits figurant ci-dessous qu'ils seront exempts de tout défaut de matériel et de fabrication pour la période de garantie indiquée ci-dessous.

<b>Produit</b>	<b>Période de garantie</b> selon la première éventualité :
Pompes à éjecteur, petites pompes centrifuges, pompes submersibles et accessoires connexes	12 mois à partir de la date de première installation ou 18 mois à partir de la date de fabrication
Réservoirs en fibre enroulée	5 ans à partir de la date de première installation
Réservoirs sous pression en acier	5 ans à partir de la date de première installation
Produits pour puisard/eaux usées/effluents	12 mois à partir de la date de première installation ou 36 mois à partir de la date de fabrication
Unités de batterie de secours MBSP-2, MBSP-2C	12 mois à partir de la date de première installation ou 18 mois à partir de la date de fabrication
MBSP-3, MBSP-3C	24 mois à partir de la date de première installation ou 30 mois à partir de la date de fabrication
Pompes de traitement des matières solides des eaux usées	12 mois à partir de la date d'expédition de l'usine ou 18 mois à partir de la date de fabrication

Notre garantie s'applique uniquement quand ces produits sont utilisés conformément aux exigences du catalogue et/ou des manuels des produits concernés. Pour plus d'information, consultez la garantie limitée standard applicable dans le manuel du produit.

Notre garantie ne s'applique pas aux produits qui, à notre seul avis, ont fait l'objet de négligence, d'une mauvaise utilisation, d'une mauvaise installation ou d'un manque d'entretien adéquat. Sans aucune limitation des présentes, l'utilisation d'un moteur triphasé sur un courant monophasé par l'intermédiaire d'un déphaseur annulera la garantie. Il faut également noter que les moteurs triphasés doivent être protégés par un relais de surcharge tripolaire thermocompensé à déclenchement extrêmement rapide du calibre recommandé, sinon la garantie sera annulée.

Votre seul recours et la seule responsabilité de MYERS sont que MYERS répare ou remplace les produits défectueux (au choix de MYERS). Vous vous engagez à payer tous les frais de main-d'œuvre et d'expédition du produit couvert par cette garantie et de vous adresser au concessionnaire-installateur dès qu'un problème est découvert pour obtenir un service sous garantie. Aucune demande de service ne sera acceptée après l'expiration de la période de garantie. Cette garantie n'est pas transférable.

MYERS NE SERA TENUE RESPONSABLE D'AUCUN DOMMAGE INDIRECT, ACCIDENTEL OU FORTUIT, QUEL QU'IL SOIT.

LES GARANTIES LIMITÉES SUSMENTIONNÉES SONT EXCLUSIVES ET REMPLACENT TOUTES LES AUTRES GARANTIES EXPRESSES ET TACITES, Y COMPRIS, MAIS SANS S'Y LIMITER, LES GARANTIES TACITES DE QUALITÉ MARCHANDE ET D'ADAPTATION À UN USAGE PARTICULIER. LES GARANTIES LIMITÉES SUSMENTIONNÉES NE DOIVENT PAS ÊTRE PROLONGÉES AU-DELÀ DE LA DURÉE PRÉVUE AUX PRÉSENTES.

Certaines provinces n'autorisent pas d'exclure ou de limiter les dommages fortuits ou indirects ou de limiter la durée d'une garantie implicite; il se peut donc que les limitations ou exclusions ci-dessus ne s'appliquent pas à votre cas. La présente garantie vous donne des droits juridiques spécifiques et vous pouvez en avoir d'autres qui varient d'une province à l'autre.

Cette garantie limitée entre en vigueur le 1er avril 2014 et remplace toutes les garanties non datées et les garanties datées avant le 1er avril 2014

**F.E. MYERS**

**293 Wright Street, Delavan, WI 53115**

**Téléphone : 888-987-8677 Télécopieur : 800-426-9446 • www.femyers.com**

**Au Canada : 490 chemin Pinebush, unité 4, Cambridge (Ontario) N1T 0A5**

**Téléphone : 800-387-4386 Télécopieur : 888-606-5484**

## Instrucciones de seguridad importantes

GUARDE ESTAS INSTRUCCIONES - Este manual contiene instrucciones importantes que se deben seguir durante la instalación, la operación y el mantenimiento del producto.

**⚠** Este es el símbolo de alerta de seguridad.

¡Cuando vea este símbolo en su bomba o en este manual, busque una de las siguientes palabras de advertencia y permanezca alerta ante potenciales lesiones personales!

**⚠ PELIGRO** indica un peligro que, si no se evita, *resultará* en una lesión grave o la muerte.

**⚠ ADVERTENCIA** indica un peligro que, si no se evita, *puede* resultar en una lesión grave o la muerte.

**⚠ PRECAUCIÓN** indica un peligro que, si no se evita, *puede* o *podría* resultar en una lesión menor o moderada.

**AVISO** indica prácticas no relacionadas con lesiones personales.

1. **Lea estas normas e instrucciones con atención.** Si se hace caso omiso a las mismas, existe el peligro de que ocurran lesiones personales y/o daños materiales graves.
2. Verifique las normas locales antes de proceder con la instalación. Se deben cumplir con todas estas normas.

**⚠ ADVERTENCIA** **Tensión peligrosa. Puede provocar choque, quemaduras o muerte. La bomba se encuentra en agua cuando está funcionando. Para evitar choques fatales, proceda según las indicaciones si en necesario prestar servicio a la bomba:**

- 3A. Desconecte la corriente eléctrica a la caja de salida antes de desenchufar la bomba.
- 3B. Desenchufe la bomba antes de manipularla o prestar servicio.
- 3C. Tenga mucho cuidado cuando cambie los fusibles. No se pare sobre agua ni ponga el dedo en la toma del fusible.
- 3D. No modifique el cordón ni el enchufe. Cuando use el cordón y el enchufe, sólo enchúfelo en un tomacorriente con conexión a tierra. Cuando lo cablee a un sistema de control, conecte el conductor a tierra de la bomba a la toma de puesta a tierra del sistema.
4. No haga marchar la bomba en seco. La marcha en seco puede recalentar la bomba (provocando quemaduras a la persona que la esté manipulando), y anulará la garantía.
5. La bomba generalmente está caliente durante la operación. Para evitar quemaduras cuando se preste servicio a la bomba, deje que se enfríe unos 20 minutos después de apagarla y antes de manipularla.
6. La bomba está lubricada permanentemente. No se necesita aceitarla ni engrasarla en una operación normal.

7. No instale el sumidero ni la bomba en ningún lugar clasificado como peligroso por la norma estadounidense, United States National Electrical Code (NEC), o la canadiense, Canadian Electrical Code (CEC), en donde corresponda.

### Advertencia sobre California Proposition 65

**⚠ ADVERTENCIA** Este producto y los accesorios relacionados contienen químicos que el Estado de California reconoce como causantes de cáncer, defectos congénitos y otros daños reproductivos.

## ESPECIFICACIONES DE LA BOMBA

Suministro de energía requerido..... 115V, 60 Hz  
 Ramal individual requerido .....15 Amperios  
 Gama de temperatura del líquido... 32°–70°F (0°–21°C)  
 Adaptador de descarga ..... 1-1/2" NPT  
 Adaptador de ventilación....2" (5.08 cm) NPT  
 Toma de admisión..... 4" (10.16 cm) deslizable

## DESCRIPCIÓN

El sistema de bomba de sumidero de Myers, Modelo número MS1822, es ideal para instalaciones en sótanos y bodegas. Incluye una bomba de sumidero sumergible y un sumidero resistente a la corrosión, con tapa. La bomba cuenta con un sistema de montaje al ras para una descarga máxima del sumidero. Todos los componentes del sistema de bomba de sumidero vienen pre-ensamblados de fábrica para facilitar su instalación.

Esta bomba sumergible está diseñada para el drenaje del sumidero, desagüe, y control de inundaciones. La bomba cuenta con una protección contra sobrecarga térmica incorporada y una reposición automática. La junta mecánica y los cojinetes de bola en el eje del motor están lubricados permanentemente.

Este sistema está diseñado para uso residencial solamente. El juego de herrajes suministrado incluye una toma de admisión de caucho, pasacables y una válvula de retención exterior. No se necesitan herramientas especiales ni compuestos selladores

**AVISO :** ¡Este sistema no ha sido diseñado para aplicaciones con agua salada o salmuera! El uso con agua salada o salmuera anulará la garantía.

Sólo se debe bombear agua con esta bomba.

## INSTALACIÓN

### Tubería

La tubería no debe ser menor que la descarga de la bomba.

### Eléctrico

**⚠ ADVERTENCIA** Tensión peligrosa. Puede provocar choque, quemaduras o muerte. Es importante seguir las instrucciones indicadas a continuación cuando se instala, opere o preste servicio a esta bomba.

No levante la bomba por el cordón eléctrico. Consulte la sección de “Advertencia sobre levantar por el cordón” en la página 17.

1. **NO** empalme el cordón eléctrico.
2. **NO** permita que se sumerja la ficha del cordón eléctrico.
3. **NO** use cordones de alargue, ya que representan un peligro de incendio y pueden reducir la tensión lo suficiente como para impedir el bombeo y/o dañar al motor.
4. **NO** manipule ni preste servicio a la bomba mientras esté conectada a la fuente de suministro de energía.
5. **NO** saque la punta de puesta a tierra de la ficha ni la modifique. Para proteger contra choque eléctrico, el cordón eléctrico es un conductor trifilar e incluye una ficha de 3 puntas con puesta a tierra. Enchufe la bomba en un receptáculo trifilar, con puesta a tierra y conectado a tierra. Conecte la bomba conforme a las normas locales de NEC o CEC.

Conecte o cablee la bomba a su propio ramal individual sin ningún otro tomacorriente ni equipo en el circuito. Determine el tamaño de los fusibles o disyuntores de acuerdo al cuadro de “Especificaciones de la bomba, motor, interruptor y cordón”.»

**⚠ ADVERTENCIA** Peligro de choque eléctrico e incendio. Cerciórese de que la información sobre el suministro de energía (Tensión/Hercios/Fase) en este manual concuerde exactamente con el suministro de energía de admisión. Instale la bomba conforme a todas las normas eléctricas que correspondan.

**AVISO :** Es necesario proporcionar una ventilación adecuada para impedir una presión negativa en el sumidero y suministrar aire dentro del mismo.

El sumidero debe estar ubicado en el lugar más bajo del sótano o del área que se desee drenar. Los desagües de piso de otras áreas en el sótano se pueden dirigir hacia adentro del sumidero. Los tubos de desagüe en los cimientos de una casa también se pueden dirigir hacia adentro del sumidero, para poder remover el agua y aliviar la presión de esta área.

Las cubiertas del sumidero se usan para excluir desechos del sumidero.

## DESEMPEÑO

GPM (LPM) a la altura total en pies (m)							
Sumidero	Bomba Serie	HP	Capacidad Galones (L)/minuto				no hay flujo a la altura indicada abajo
			5 (1,5m)	10 (3m)	15 (4,6m)	20 (6,1m)	
MS1822	MS33PV10	1/3	53 (201)	45 (170)	36 (136)	24 (91)	24 ft (7,3m)

## ESPECIFICACIONES DE LA BOMBA, MOTOR, INTERRUPTOR Y CORDÓN

Sumidero	Bomba Serie	HP	Amperaje del motor a plena carga	Ramal individual requerido (amperios)	Graduaciones del interruptor en pulgadas (cm)	
					Encender	Apagar
MS1822	MS33PV10	1/3	4.0	15	7,5 (19,1)	3 (7,6)

## Instrucciones de instalación. Ver figura 1.

1. Cave el foso para el sumidero y la base inferior. El foso debe ser lo suficientemente profundo para que la parte superior del sumidero quede al ras con el piso terminado. Consulte la Figura 1 en la Página 4.

**AVISO:** La base inferior debe incluir 4" (10.16 cm) de arena o grava. El diámetro máximo de la roca triturada debe ser de 1/2". El diámetro máximo recomendado de la almendra es de 3/4".

2. Nivele la sub-base hasta que quede lisa. Rocas puntiagudas pueden dañar el sumidero.
3. Ponga la mano en el orificio de admisión para sacar el juego de herrajes. Ubique el pasacables en el juego de herrajes.
4. Vuelva a poner la mano en el orificio de admisión y traiga el cordón eléctrico a través del orificio del pasacables en la cubierta. Oprima el cordón en el pasacables e instale el pasacables en la cubierta.
5. Ubique la toma de admisión en el juego de herrajes y colóquela a presión en el orificio de admisión.
6. Instale el sumidero sobre la base inferior.
7. Inserte un tubo de admisión de 4" a través de la toma de admisión. Insértelo 2" dentro del sumidero. Puede utilizar jabón para vajilla para lubricar la toma de admisión. De ser necesario, lime los bordes filosos del tubo para no dañar la toma.

**AVISO:** El tubo de admisión debe inclinarse hacia la admisión del sumidero a 1/4" por pie. Esto hará que el agua corra hacia el sumidero.

8. Rellene el área alrededor del sumidero con roca triturada de un diámetro máximo de 1/2", o utilice almendra.
9. Instale un tubo de descarga de 1-1/2" en la brida de descarga de 1-1/2" FNPT.
10. Instale un tubo de ventilación de 2" en la brida de ventilación roscada de 2" FNPT. El tubo de ventilación debe pasar por el techo de la construcción o se puede conectar a uno ya presente. El sumidero debe estar ventilado.

**AVISO:** Se debe proporcionar una ventilación adecuada para impedir una presión negativa en el sumidero y suministrar el aire necesario dentro del mismo. No use un respiradero de acción simple de ningún tipo.

11. Instale la válvula de retención de 1-1/2" (provista) en el tubo de descarga. Consulte la Figura 1. Cerciérese de que la flecha indicadora del flujo apunte hacia afuera de la bomba. Esta válvula de retención impedirá que el agua regrese al sumidero cuando la bomba no esté en marcha.

**AVISO:** Para evitar obturar la bomba, despeje toda suciedad del sumidero si retira la cubierta durante o después de la instalación. **Primero desenchufe la bomba.**

12. Enchufe la bomba en un tomacorriente debidamente puesto a tierra.

13. Verifique la operación llenando el sumidero con agua y observe el funcionamiento de la bomba por un ciclo completo. Cerciérese de que ninguna parte de la unidad interfiera con el flotador.

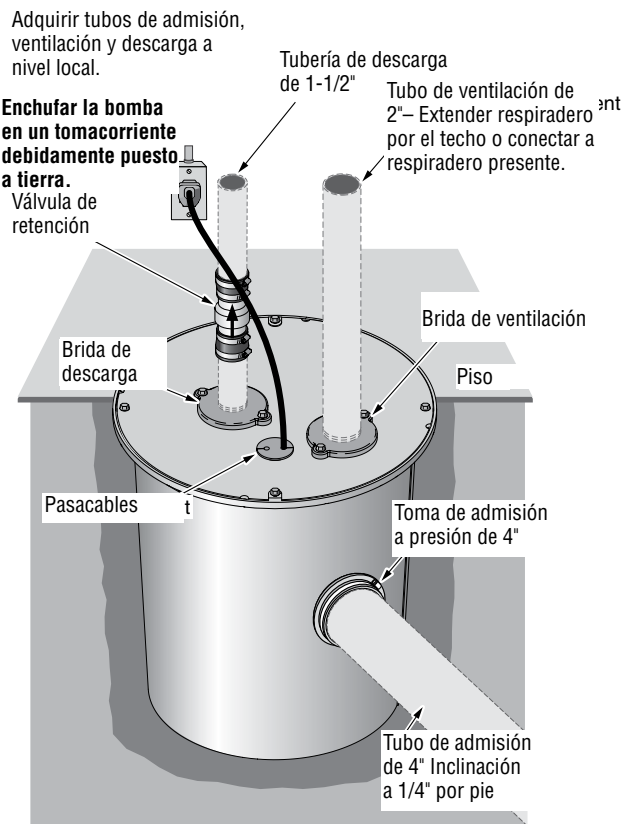
**⚠ ADVERTENCIA** La falta de este chequeo operativo, puede resultar en un funcionamiento incorrecto, una falla prematura e inundaciones.

## OPERACIÓN

**AVISO:** La junta del eje depende del agua para su lubricación y enfriamiento. No opere la bomba a menos que esté sumergida en agua, ya que la junta se puede dañar si se permite que marche en seco. Si se permite que la bomba marche en seco, la garantía quedará anulada.

Un protector automático contra sobrecarga en el motor lo protegerá para que no se consuma debido a un calentamiento o sobrecarga. Cuando el motor se enfríe, el protector de sobrecarga se repositionará y encenderá el motor automáticamente.

Si el protector de sobrecarga se activa frecuentemente, verifique la causa. Puede ser un impulsor atascado, tensión incorrecta o baja o una falla eléctrica del motor. Si se sospecha una falla eléctrica del motor, haga que un profesional de reparaciones lo inspeccione.



6904 0717

**Figura 1: Instalación típica**



La bomba está lubricada permanentemente. No es necesario aceitarla ni engrasarla.

**AVISO:** La bomba no removerá toda el agua. Para una operación alargada, la profundidad del agua debe ser de un mínimo de 5" (13 cm) para evitar que el motor se recaliente.

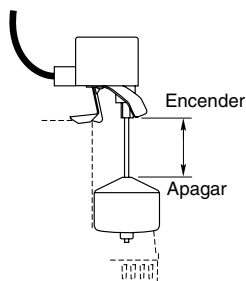
### Bolsas de aire

Cuando una bomba se obtura con aire, marcha, pero no mueve el agua. Una bolsa de aire hará que la bomba se recaliente y falle. El tubo de descarga viene provisto de un orificio perforado anti-bolsa de aire. Es normal que haya una pérdida desde el orificio anti-bolsa de aire durante la operación de la bomba.

### Interruptor de flotador – Verificación de operación

1. Llene el sumidero con la cantidad de agua correcta para verificar la operación y la hermeticidad de las conexiones. Durante el primer ciclo automático, puede llevar unos 30 segundos o más antes de que la bomba se cebe y comience a bombear. La bomba se encenderá como se indica en el cuadro de "Especificaciones de la bomba, motor, interruptor y cordón" en la página 3.
2. Chequee la posición de apagar. La bomba se detendrá aproximadamente como se indica en el cuadro de "Especificaciones de la bomba, motor, interruptor y cordón" en la página 3.
3. Si la bomba no funciona, chequee el servicio eléctrico.

El flotador vertical tiene una gama de movimiento corta a lo largo de la vara vertical, lo cual ayuda a evitar que el flotador se atasque.



## MANTENIMIENTO

**⚠ ADVERTENCIA** Tensión peligrosa. Puede provocar choque, quemaduras o muerte. Antes de sacar la bomba del sumidero para prestarle servicio, siempre desconecte el suministro de energía eléctrica a la bomba y al interruptor de control. No levante la bomba por el cordón eléctrico. Consulte la sección de "Advertencia sobre levantar por el cordón" que aparece a continuación.

**AVISO:** Para evitar obturar la bomba, limpie toda suciedad del sumidero si retira la cubierta durante o después de la instalación. **Primero desenchufe la bomba.**

**AVISO:** Solamente un personal capacitado debe prestar servicio a la bomba. No hay piezas dentro de la bomba que puedan ser reparadas por el consumidor.

Desconecte los tubos de descarga y de ventilación de la unidad, retire los cuatro pernos de la cubierta del sumidero y luego levante la bomba y sáquela del sumidero utilizando el mango de la bomba.

NO trate de abrir la bomba más allá de la remoción de la placa inferior.

La caja del motor de la bomba contiene un aceite de lubricación especial que se debe mantener limpio y sin agua en todo momento.

El sumidero y la cubierta, la bomba y la tubería deben estar protegidos contra temperaturas heladas.

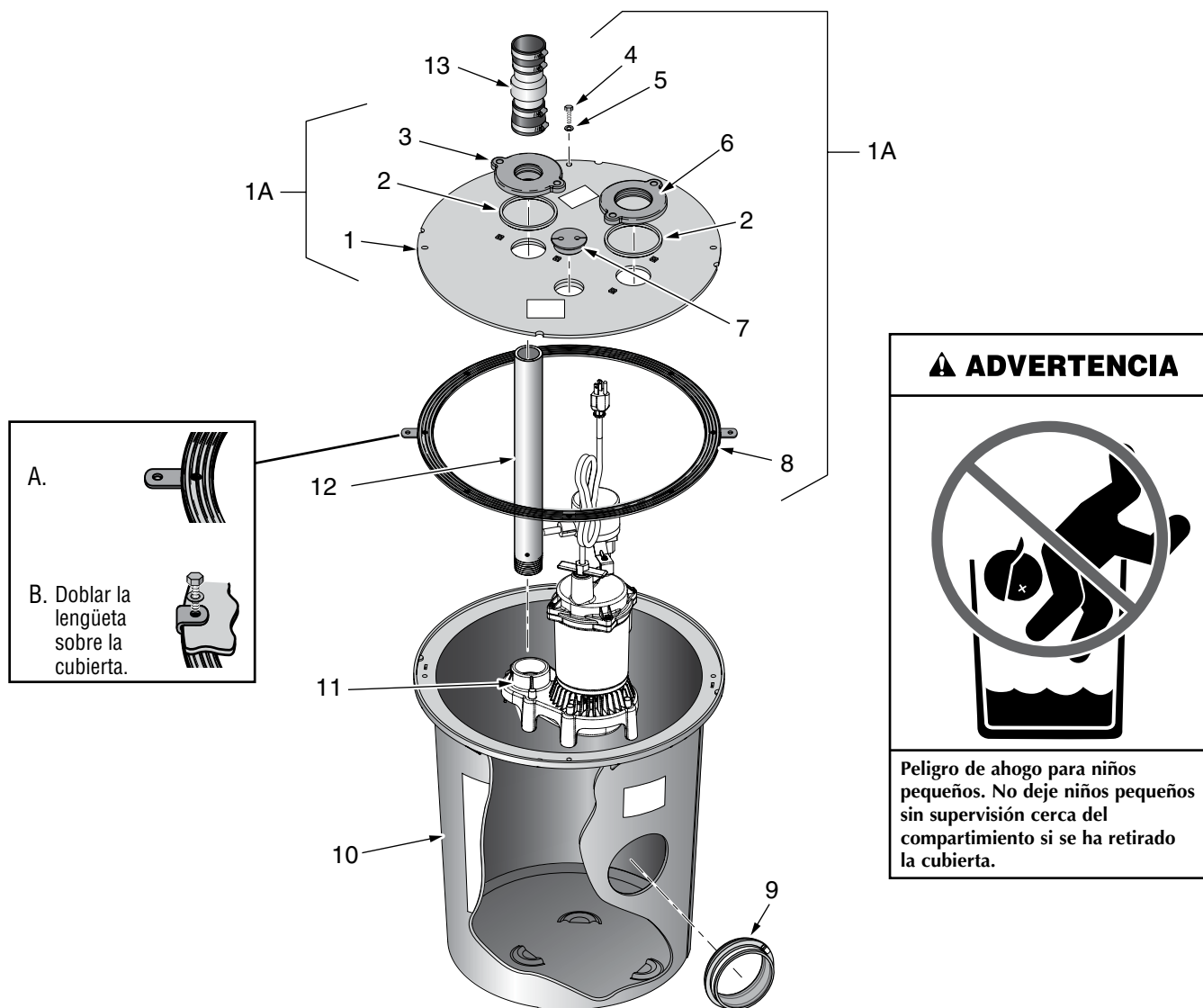
**⚠ ADVERTENCIA**

**Peligro de choque eléctrico. Puede quemar o matar. No levante la bomba por medio del cordón eléctrico.**

**ADVERTENCIA SOBRE EL USO DEL CORDÓN PARA LEVANTAR**

Levante por medio de la manija

1. Si se trata de levantar o de sostener la bomba por medio del cordón eléctrico se puede dañar el cordón y sus conexiones.
2. El cordón se puede desarmar, dejando expuestos los hilos desnudos con la posibilidad de un incendio o de un choque eléctrico.
3. Si la bomba se levanta o se sostiene por medio del cordón eléctrico, la garantía quedará anulada.
4. Use las manijas en la parte superior de la bomba siempre que deba levantar o bajar la bomba. Desconecte la corriente eléctrica a la bomba antes de realizar trabajos en la misma o de tratar de sacarla del sumidero.



**PIEZAS DE REPUESTO - SISTEMAS CON PLOMERÍA**

Clave No.	Descripción de la pieza	Cantidad	MS1822
1A	Unidad de cubierta del sumidero Incluye los Nos. 1-8	1	PW73-65P
1	Cubierta del sumidero	1	-
2	Aro de corte en escuadra	2	-
3	Brida de ventilación, 2"	1	-
4	Perno del sumidero	8	-
5	Arandela plana	8	-
6	Brida de descarga, 1-1/2"	1	-
7	Pasacables	1	-
8	Aro de estanqueidad	1	-
9	Toma de admisión, a presión	1	PW73-67
10	Sumidero	1	-
11	Bomba de sumidero	1	MS33PV10
12	Tubería de descarga - 1-1/2" (3.81 cm) en PVC x 19.15" (48.64 cm) de largo	1	*

\* Adquirir localmente (tubo con extremo roscado)

**Garantía Limitada**

Myers® le garantiza al consumidor inicial (“Comprador” o “Usted”) de los productos indicados a continuación, que éstos estarán libres de defectos en materiales y en mano de obra durante el Período de Garantía especificado a continuación.

<b>Producto</b>	<b>Período de garantía lo que ocurra primero:</b>
Bombas de chorro, pequeñas bombas centrífugas, bombas sumergibles y accesorios asociados	12 meses desde la fecha de la instalación inicial, o 18 meses desde la fecha de fabricación
Tanques de devanado de fibra	5 años desde la fecha de la instalación inicial
Tanques a presión de acero	5 años desde la fecha de la instalación inicial
Productos para sumideros/aguas residuales/efluente	12 meses desde la fecha de la instalación inicial, o 36 meses desde la fecha de fabricación
Unidades de batería de refuerzo MBSP-2, MBSP-2C	12 meses desde la fecha de la instalación inicial, o 18 meses desde la fecha de fabricación
MBSP-3, MBSP-3C	24 meses desde la fecha de la instalación inicial, o 30 meses desde la fecha de fabricación
Bombas procesadoras de sólidos de aguas residuales	12 meses desde la fecha de envío de la fábrica, o 18 meses desde la fecha de fabricación

Nuestra garantía se aplica solamente en los casos en que tales productos se utilicen conforme a los requerimientos del catálogo del producto y/o de los manuales correspondientes. Por información adicional, se deberá consultar la garantía limitada estándar correspondiente que aparece en el manual del producto.

Nuestra garantía no se aplicará a ningún producto que, a nuestro solo juicio, haya sido sometido a negligencia, mal uso, instalación o mantenimiento inadecuados. Sin perjuicio a lo que antecede, nuestra garantía quedará anulada en el caso en que un motor trifásico se haya usado con una fuente de alimentación monofásica, a través de un convertidor de fase. Es importante indicar que la garantía quedará anulada si los motores trifásicos no están protegidos por relés de sobrecarga de disparo extra-rápido, con compensación ambiental de tres etapas, del tamaño recomendado.

Su único recurso, y la única obligación de MYERS es la de reparar o reemplazar los productos defectuosos (a juicio de MYERS). Usted deberá pagar todos los cargos de mano de obra y de envío asociados a esta garantía y deberá solicitar el servicio bajo garantía a través del concesionario instalador tan pronto como se descubra un problema. No se aceptará ninguna solicitud de servicio bajo garantía que se reciba después del vencimiento del Período de Garantía. Esta garantía no es transferible.

MYERS NO SE HARÁ RESPONSABLE DE NINGÚN DAÑO CONSECUENTE, INCIDENTAL O CONTINGENTE.

LAS GARANTÍAS LIMITADAS QUE ANTECEDEN SON EXCLUSIVAS Y EN LUGAR DE TODA OTRA GARANTÍA EXPLÍCITA O IMPLÍCITA, INCLUYENDO, PERO SIN LIMITARSE, A LAS GARANTÍAS IMPLÍCITAS DE COMERCIABILIDAD E IDONEIDAD PARA UN FIN ESPECÍFICO, LAS GARANTÍAS LIMITADAS QUE ANTECEDEN NO SE EXTENDERÁN MÁS ALLÁ DEL PERÍODO DE GARANTÍA INDICADO EN LA PRESENTE.

Ciertos estados no permiten la exclusión o limitación de daños incidentales o consecuentes o la aplicación de limitaciones en la duración de garantías implícitas, de modo que es posible que las limitaciones o exclusiones que preceden no correspondan en su caso. Esta garantía le otorga derechos legales específicos, y es posible que Usted tenga otros derechos que pueden variar de un estado al otro.

Esta Garantía Limitada entra en vigor a partir del 1 de abril de 2014 y reemplaza toda otra garantía sin fecha o con fecha anterior al 1 de abril de 2014.

**F.E. MYERS**

**293 Wright St., Delavan, WI 53115**

**Teléfono: 888-987-8677 – Fax: 800-426-9446 – [www.femyers.com](http://www.femyers.com)**

**En Canadá: 490 Pinebush Road, Unit 4, Cambridge, Ontario N1T 0A5**

**Teléfono: 800-387-4386 – Fax: 888-606-5484**

