



Water is Our Business®

293 Wright Street, Delavan, WI 53115

Phone: 800-365-6832

Fax: 800-526-3757

www.flotecwater.com

OWNER'S MANUAL

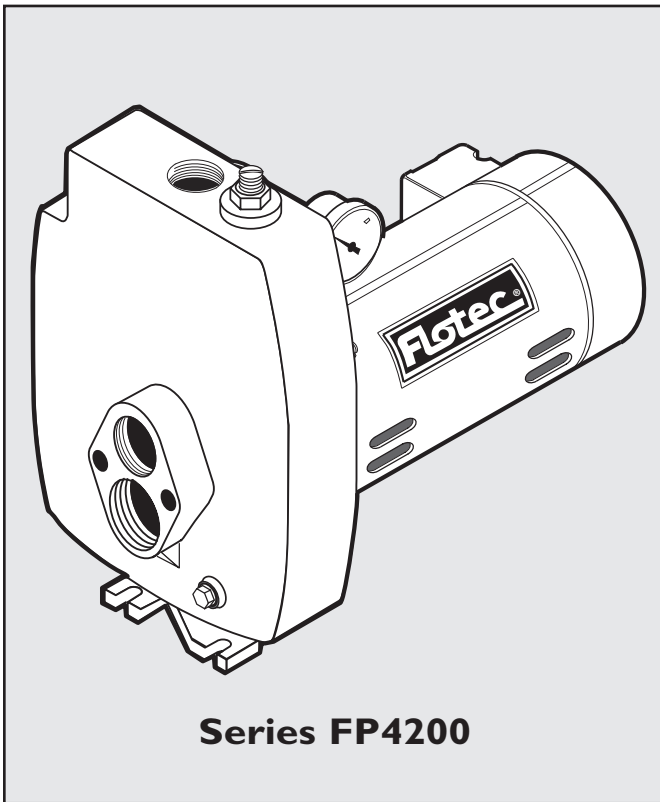
Convertible Deep Well Jet Pumps

NOTICE D'UTILISATION

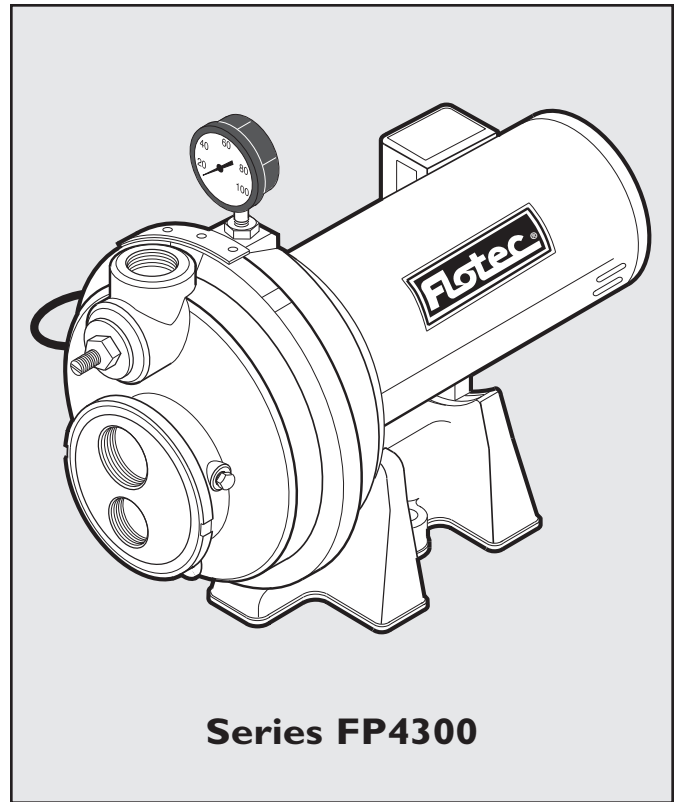
Pompe à éjecteur transformables pour puits profonds

MANUAL DEL USUARIO

Bombas convertibles de chorro para pozos profundos



Series FP4200



Series FP4300

Installation/Operation/Parts

For further operating, installation, or maintenance assistance:

Call 800-365-6832

English Pages 2-16

Installation/Fonctionnement/Pièces

Pour plus de renseignements concernant l'utilisation, l'installation ou l'entretien,

Composer le (800) 365-6832

Français Pages 17-31

Instalación/Operación/Piezas

Para mayor información sobre el funcionamiento, instalación o mantenimiento de la bomba:

Llame al 800-365-6832

Español Páginas 32-47

Important Safety Instructions

SAVE THESE INSTRUCTIONS - This manual contains important instructions that should be followed during installation, operation, and maintenance of the product.

⚠ This is the safety alert symbol. When you see this symbol on your pump or in this manual, look for one of the following signal words and be alert to the potential for personal injury!

⚠ DANGER indicates a hazard which, if not avoided, *will* result in death or serious injury.

⚠ WARNING indicates a hazard which, if not avoided, *could* result in death or serious injury.

⚠ CAUTION indicates a hazard which, if not avoided, *could* result in minor or moderate injury.

NOTICE addresses practices not related to personal injury.

Carefully read and follow all safety instructions in this manual and on pump.

Keep safety labels in good condition. Replace missing or damaged safety labels.

California Proposition 65 Warning

⚠ WARNING This product and related accessories contain chemicals known to the State of California to cause cancer, birth defects or other reproductive harm.

Electrical Safety

⚠ WARNING Risk of electric shock. Can shock, burn or kill. Capacitor voltage may be hazardous. To discharge motor capacitor, hold insulated handle screwdriver BY THE HANDLE and short capacitor terminals together. Do not touch metal screwdriver blade or capacitor terminals. If in doubt, consult a qualified electrician.

General Safety

⚠ CAUTION Risk of burns. Do not touch an operating motor. Motors are designed to operate at high temperatures. To avoid burns when servicing pump, allow it to cool for 20 minutes after shut-down before handling.

Do not allow pump or any system component to freeze. To do so will void warranty.

Pump water only with this pump.


Periodically inspect pump and system components.

Wear safety glasses at all times when working on pumps.

Keep work area clean, uncluttered and properly lighted; store properly all unused tools and equipment.

Keep visitors at a safe distance from the work areas.

⚠ WARNING Risk of explosion. Pump body may explode if used as a booster pump unless relief valve capable of passing full pump flow at 75 psi is installed.

 <p>⚠ WARNING</p>
<p>Hazardous voltage. Can shock, burn, or cause death.</p> <p>Ground pump before connecting to power supply. Disconnect power before working on pump, motor or tank.</p>

- ⚠** Wire motor for correct voltage. See "Electrical" section of this manual and motor nameplate.
- ⚠** Ground motor before connecting to power supply.
- ⚠** Meet National Electrical Code, Canadian Electrical Code, and local codes for all wiring.
- ⚠** Follow wiring instructions in this manual when connecting motor to power lines.

	<p>⚠ WARNING</p>
	<p>Hazardous pressure! Install pressure relief valve in discharge pipe.</p> <p>Release all pressure on system before working on any component.</p>

Retain Original Receipt For Warranty Eligibility

Limited Warranty

This Limited Warranty is effective June 1, 2011 and replaces all undated warranties and warranties dated before June 1, 2011. FLOTEC warrants to the original consumer purchaser (“Purchaser” or “You”) that its products are free from defects in material and workmanship for a period of twelve (12) months from the date of the original consumer purchase. If, within twelve (12) months from the original consumer purchase, any such product shall prove to be defective, it shall be repaired or replaced at FLOTEC’s option, subject to the terms and conditions set forth herein. Note that this limited warranty applies to manufacturing defects only and not to ordinary wear and tear. All mechanical devices need periodic parts and service to perform well. This limited warranty does not cover repair when normal use has exhausted the life of a part or the equipment.

The original purchase receipt and product warranty information label are required to determine warranty eligibility. Eligibility is based on purchase date of original product – not the date of replacement under warranty. The warranty is limited to repair or replacement of original purchased product only, not replacement product (i.e. one warranty replacement allowed per purchase). Purchaser pays all removal, installation, labor, shipping, and incidental charges.

For parts or troubleshooting assistance, DO NOT return product to your retail store - contact FLOTEC Customer Service at 800-365-6832.

Claims made under this warranty shall be made by returning the product (except sewage pumps, see below) to the retail outlet where it was purchased or to the factory immediately after the discovery of any alleged defect. FLOTEC will subsequently take corrective action as promptly as reasonably possible. No requests for service will be accepted if received more than 30 days after the warranty expires. Warranty is not transferable and does not apply to products used in commercial/rental applications.

Sewage Pumps

DO NOT return a sewage pump (that has been installed) to your retail store. Contact FLOTEC Customer Service. Sewage pumps that have seen service and been removed carry a contamination hazard with them.

If your sewage pump has failed:

- Wear rubber gloves when handling the pump;
- For warranty purposes, return the pump’s cord tag and original receipt of purchase to the retail store;
- Dispose of the pump according to local disposal ordinances.

Exceptions to the Twelve (12) Month Limited Warranty

Product	Warranty Period
FP0F360AC, FP0FDC	90 days
FP0S1775A, FP0S1790PCA, FP0S2400A, FP0S2450A, FP0S4100X, FP2800DCC, FPCP-20ULST, FPPSS3000, FPSC2150A, FPSC3150A, FPSC3350A	2 Years
4” Submersible Well Pumps, FP0S3200A, FP0S3250A, FP0S6000A, FPSC1725X, FPSC2200A, FPSC2250A, FPSE3601A, FPPSS5000	3 Years
FP7100 Series Pressure Tanks, E100ELT, E3305TLT, E3375TLT, E5005TLTT, E50TLT, E50VLT, E75STVT, E75VLT, FPSC3200A, FPSC3250A, FPSC4550A	5 Years

General Terms and Conditions; Limitation of Remedies

You must pay all labor and shipping charges necessary to replace product covered by this warranty. This warranty does not apply to the following: (1) acts of God; (2) products which, in FLOTEC’s sole judgment, have been subject to negligence, abuse, accident, misapplication, tampering, or alteration; (3) failures due to improper installation, operation, maintenance or storage; (4) atypical or unapproved application, use or service; (5) failures caused by corrosion, rust or other foreign materials in the system, or operation at pressures in excess of recommended maximums.

This warranty sets forth FLOTEC’s sole obligation and purchaser’s exclusive remedy for defective products.

FLOTEC SHALL NOT BE LIABLE FOR ANY CONSEQUENTIAL, INCIDENTAL, OR CONTINGENT DAMAGES WHATSOEVER.

THE FOREGOING LIMITED WARRANTIES ARE EXCLUSIVE AND IN LIEU OF ALL OTHER EXPRESS AND IMPLIED WARRANTIES, INCLUDING BUT NOT LIMITED TO IMPLIED WARRANTIES OF MERCHANTABILITY AND FITNESS FOR A PARTICULAR PURPOSE. THE FOREGOING LIMITED WARRANTIES SHALL NOT EXTEND BEYOND THE DURATION PROVIDED HEREIN.

Some states do not allow the exclusion or limitation of incidental or consequential damages or limitations on how long an implied warranty lasts, so the above limitations or exclusions may not apply to You. This warranty gives You specific legal rights and You may also have other rights which vary from state to state.

FLOTEC • 293 Wright Street • Delavan, WI U.S.A. 53115
Phone: 800-365-6832 • Fax: 800-526-3757 • www.flotecwater.com

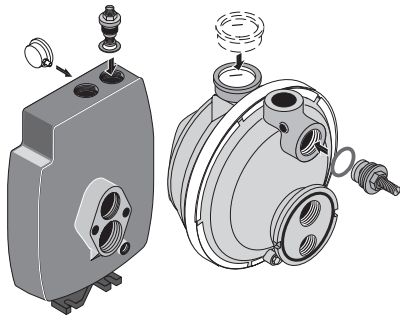


Figure 1 - Install Control Valve and Gauge

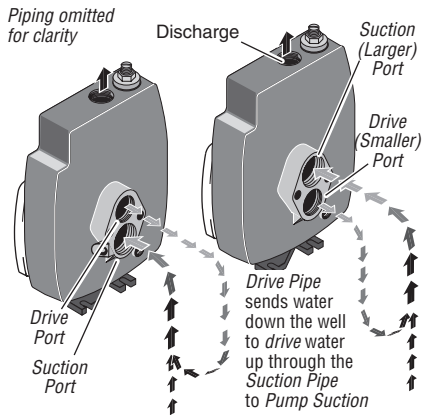


Figure 2 - Drive and Suction Functions

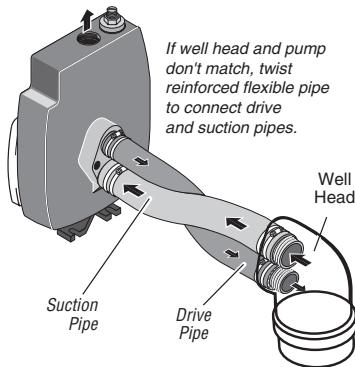


Figure 3 - Reversed Connections to Well

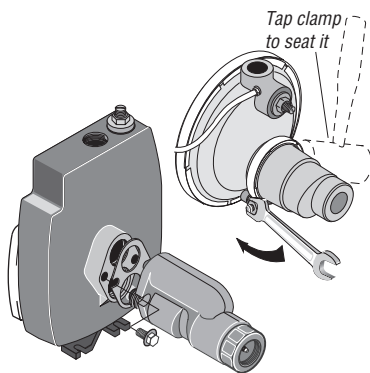


Figure 4 - Mount Ejector – Shallow Well

Deep Well

⚠ WARNING Risk of electric shock. Can shock, burn or kill. Disconnect power to pump before working on pump or motor.

1. Drain and remove the old pump. Check pipe for scale, lime, rust, etc., and replace it if necessary.
2. Install the control valve and pressure gauge in the pump body.
3. If your old pump has the suction pipe (the larger port – see Figure 2) below the drive port, you will need to install flexible pipe between the well head and the pump so that the connection will be correct.

NOTICE Your old ejector (in the well) may not be properly matched to your new pump. If the pump does not perform properly, we recommend that you install Flotec ejector kit FP4800.

4. Install the pump in the system. Make sure that all pipe joints in the suction pipe are air-tight as well as water tight. If the suction pipe can suck air, the pump will not be able to pull water from the well.
5. Adjust the pump mounting height so that the plumbing connections do not put a strain on the pump body. Support the pipe so that the pump body does not take the weight of piping or fittings.

You have just completed the well plumbing for your new deep well jet pump. Please go to Page 8 for discharge pipe and tank connections.

Shallow Well

⚠ WARNING Risk of electric shock. Can shock, burn or kill. Disconnect power to pump before working on pump or motor.

1. Drain and remove the old pump. Check the old pipe for scale, lime, rust, etc., and replace it if necessary.
2. Install the control valve and pressure gauge in the pump body.
3. Install ejector kit FP4855 with a Series 4200, or kit FP4875 with a Series 4300 pump (kits are sold separately). Follow the instructions provided with the kit. Be sure to align the venturi with the top hole on the front of the pump.

NOTICE Always replace the ejector when replacing the pump in a shallow well installation.

4. Install the pump in the system. Make sure that all pipe joints in the suction pipe are air-tight as well as water tight. If the suction pipe can suck air, the pump will not be able to pull water from the well.
5. Adjust the pump mounting height so that the plumbing connections do not put a strain on the pump body. Support the pipe so that the pump body does not take the weight of piping or fittings.

You have just completed the well plumbing for your new shallow well jet pump. Please go to Page 8 for discharge pipe and tank connections.

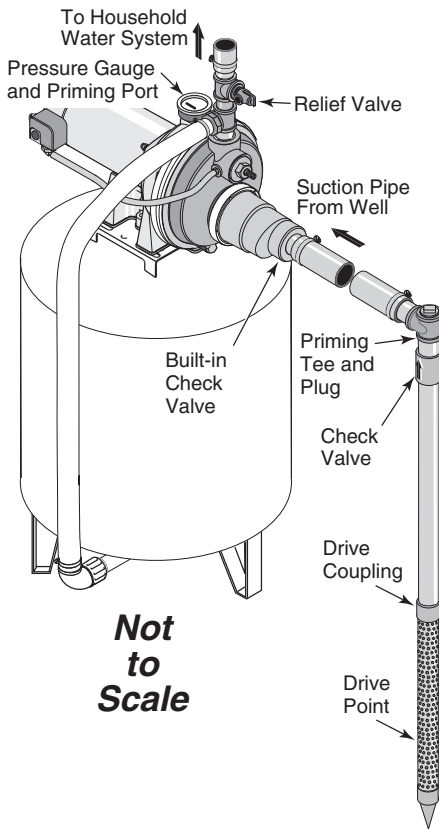


Figure 5 - Driven Point Installation

Well Point Installation

1. Install the control valve and pressure gauge in the pump body.
2. Install ejector kit FP4855 with a Series 4200 pump, or kit FP4875 with a Series 4300 pump (kits are sold separately). Follow the instructions provided with the kit. Align the venturi with the top hole on the front of the pump.
3. Drive the well, using “drive couplings” and a “drive cap”. “Drive fittings” are threaded all the way through and allow the pipe ends to butt against each other so that the driving force of the maul is carried by the pipe and not by the threads. The ordinary fittings found in hardware stores are not threaded all the way through the fitting and can collapse under impact. “Drive fittings” are also smoother than standard plumbing fittings, making ground penetration easier.
4. Mount the pump as close to the well as possible.
5. Use the fewest possible fittings (especially elbows) when connecting the pipe from the well point to the pump suction port. The suction pipe should be at least as large as the suction port on the pump (include a check valve – see Figure 5). Support the pipe so that there are no dips or sags in the pipe, so it doesn’t strain the pump body, and so that it slopes slightly upward from the well to the pump (high spots can cause air pockets which can air lock the pump). Seal the suction pipe joints with PTFE pipe thread sealant tape or a PTFE-based pipe joint compound approved for use on PVC. Joints must be air- and water-tight. If the suction pipe can suck air, the pump cannot pull water from the well. If one well point does not supply enough water, consider connecting two or three well points to one suction pipe.

You have just completed the suction piping for your new shallow well jet pump. Please go to Page 8 for discharge pipe and tank connections.

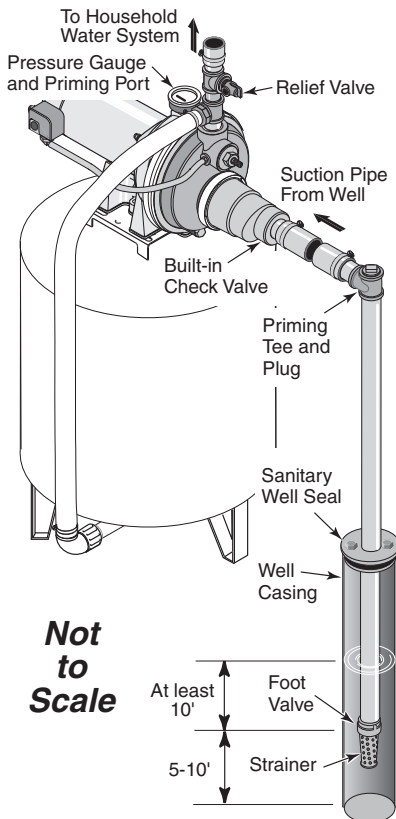


Figure 6 - Cased Well Installation

Cased Well Installation, 2” or Larger Casing

1. Install the control valve and pressure gauge in the pump body.
2. Install ejector kit FP4855 with a Series 4200 pump, or kit FP4875 with a Series 4300 pump (kits are sold separately). Follow the instructions provided with the kit. Align the venturi with the top hole on the front of the pump.
3. Mount the pump as close to the well as possible.
4. Assemble the foot valve, strainer, and well pipe. Make sure that the foot valve works freely.
5. Lower the pipe into the well until the strainer is five feet above the bottom of the well. It should also be at least 10 feet below the well’s water level while the pump is running in order to prevent the pump from sucking air. Install a sanitary well seal.
6. Install a priming tee, priming plug, and suction pipe to the drop pipe. If the distance from the well to the pump is substantial, add a priming tee at the pump. Connect the pipe from the well to the pump suction port, using the fewest possible fittings – especially elbows – as fittings increase friction in the pipe. The suction pipe should be at least as large as the suction port on the pump. Support the pipe so that there are no dips or sags in the pipe, so it doesn’t strain the pump body, and so that it slopes slightly upward from the well to the pump (high spots can cause air pockets which can air lock the pump). Seal the suction pipe

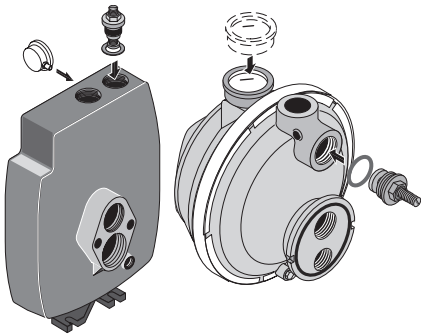


Figure 7 - Install Control Valve and Pressure Gauge

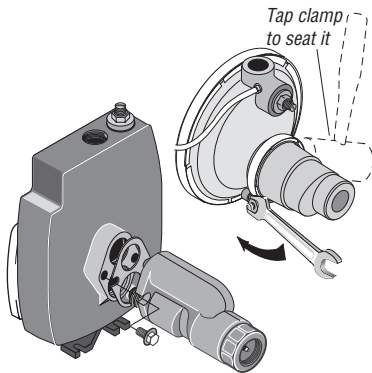


Figure 8 - Install Ejector

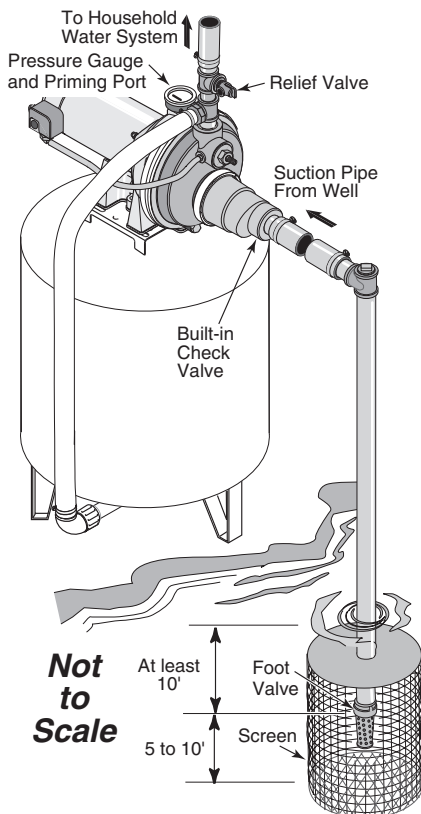


Figure 9 - Surface Water Installation

joints with PTFE pipe thread sealant tape or a PTFE-based pipe joint compound. Joints must be air- and water-tight. If the suction pipe can suck air, the pump cannot pull water from the well.

You have just completed the suction piping for your new shallow well jet pump. Please go to Page 8 for discharge pipe and tank connections.

Installation for Surface Water

CAUTION Possible contamination. Do not use surface water for drinking. The installation shown could be used for sprinkler applications.

1. Install the control valve and pressure gauge in the pump body.
2. Install ejector kit FP4855 with a Series 4200 pump, or kit FP4875 with a Series 4300 pump (kits are sold separately). Follow the instructions provided with the kit. Align the venturi with the top hole on the front of the pump.
3. The pump should be installed as close to the water as possible, with the fewest possible fittings (especially elbows) in the suction pipe. The suction pipe should be at least as large as the suction port on the pump.
4. Assemble a foot valve and suction pipe. Make sure that the foot valve works freely. Use PTFE pipe thread sealant tape or a PTFE-based pipe joint compound on threaded pipe joints. Protect the foot valve assembly from fish, trash, etc. by installing a screen around it.
5. Lower the pipe into the water until the strainer is five feet above the bottom. It should also be at least 10 feet below the water level in order to prevent the pump from sucking air.
6. Install a priming tee, priming plug, and suction pipe to the pump. Support the pipe so that there are no dips or sags in the pipe, so it doesn't strain the pump body, and so that it slopes slightly upward from the well to the pump (high spots can cause air pockets which can air lock the pump). Seal the suction pipe joints with PTFE pipe thread sealant tape or a PTFE-based pipe joint compound. Joints must be air- and water-tight. If the suction pipe can suck air, the pump cannot pull water from the well.

You have just completed the plumbing for your new shallow well jet pump. Please go to Page 8 for discharge pipe and tank connections.

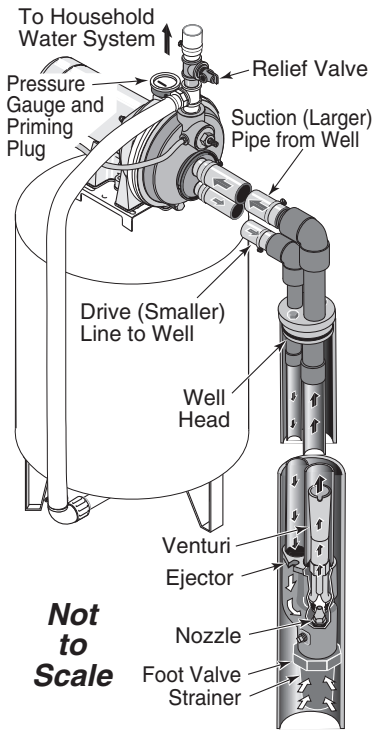


Figure 10 - 4" and Larger Deep Well

4" Or Larger Well

1. Install the control valve and pressure gauge in the pump body.
2. Assemble ejector kit FP4800 (sold separately). Follow the instructions included with the kit in order to match the nozzle and venturi to your well conditions.
3. Mount the pump as close to the well as possible.
4. Connect two pipes (1" drive, 1-1/4" suction) to the ejector and lower the ejector into the well until it is five feet from the bottom. It should also be at least 10 feet below the well's water level while the pump is running in order to prevent the pump from sucking air.
5. Install a sanitary well seal and connect the ejector piping to the pump. Use steel nipples through the well seal with flexible poly pipe to avoid crushing the plastic pipe when tightening the seal.
6. Support the pipe so that there are no dips or sags in the pipe, so it doesn't strain the pump body, and so that it slopes slightly upward from the well to the pump (high spots can cause air pockets which can air lock the pump). Seal the suction pipe joints with PTFE pipe thread sealant tape or a PTFE-based pipe joint compound. Joints must be air- and water-tight. If the suction pipe can suck air, the pump cannot pull water from the well.

You have just completed the plumbing for your new double pipe deep well jet pump. Please go to Page 8 for discharge pipe and tank connections.

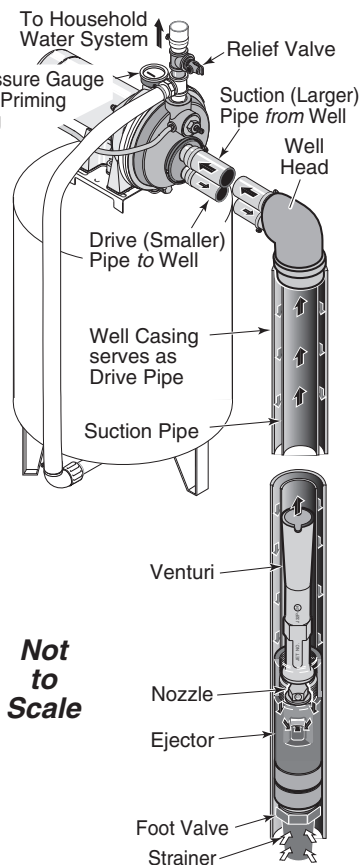


Figure 11 - 2" (Single Pipe) Deep Well

2" Well

1. Install the control valve and pressure gauge in the pump body.
2. Mount the pump as close to the well as possible.
3. Assemble ejector kit FP4840 (sold separately), well piping, and well head adapter according to the instructions provided with the ejector package. Use galvanized drop pipe with turned couplings to allow proper flow. Follow the instructions included with the kit in order to match the nozzle and venturi to your well conditions.
4. Run two pipes (one smaller drive pipe, one larger suction pipe) from the well to the pump. Support the pipe so that there are no dips or sags in the pipe, so it doesn't strain the pump body, and so that it slopes slightly upward from the well to the pump (high spots can cause air pockets which can air lock the pump). Seal the suction pipe joints with PTFE pipe thread sealant tape or a PTFE-based pipe joint compound. Joints must be air- and water-tight. If the suction pipe can suck air, the pump cannot pull water from the well.

You have just completed the plumbing for your new single pipe deep well jet pump. Please go to Page 8 for discharge pipe and tank connections.

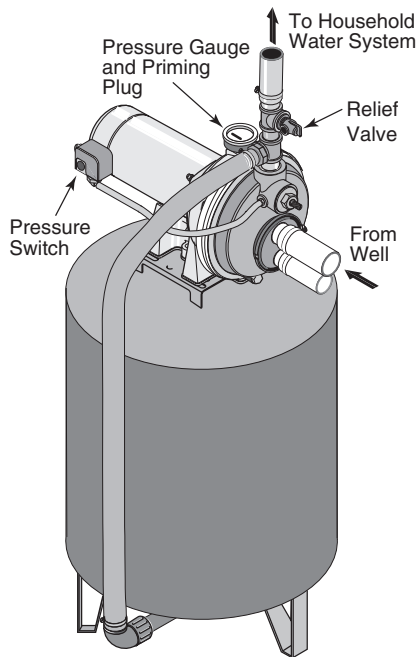


Figure 12 - Pre-charged Tank Connections

Pre-Charge Tank Connection

1. Install a close nipple and a tee in the pump discharge port. The pipe size must be at least as large as the discharge port. Run a pipe or reinforced hose from one arm of the tee to the port on the pre-charged tank.
2. Install a second close nipple and tee with a relief valve in the tee.
3. Connect the other end of the second discharge tee to your plumbing system.
4. Check the pre-charge of air in the tank with an ordinary tire gauge. The pre-charge should be 2 PSI less than the cut-in setting of the pump's pressure switch. The pre-charge is measured when there is no water pressure in the tank. Your new pump has a 30/50 PSI switch, so adjust the tank pre-charge pressure to 28 PSI.

You have just completed the tank connection for your jet pump. Please go to Pages 9 and 10 for electrical hookup.

Standard Tank Connection

1. Install a close nipple and a tee in the pump discharge port. Mount a relief valve in one arm of the tee.
2. Install a second close nipple and tee in the open arm of the first tee. Put a priming plug in one arm of the second tee.
3. Run a pipe from the open arm of the second tee to the inlet port of your tank. The pipe size must be at least as large as the pump discharge port.
4. Remove the 1/8" NPT pipe plug from the pump Air Volume Control (AVC) port. Run tubing from the pump's AVC port to the port on the AVC mounted on the tank. See instructions provided with tank and AVC for details.

You have just completed the tank connection for your jet pump. Please go to Pages 9 and 10 for electrical hookup.

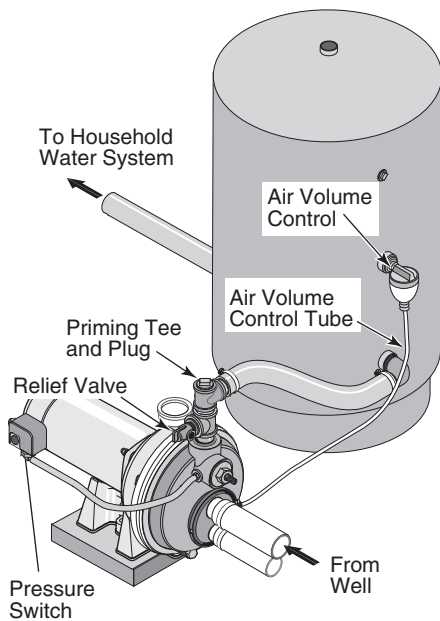


Figure 13 - Standard Tank Connections

Sealing Pipe Joints

Use only PTFE pipe thread sealant tape or PTFE-based joint compounds for making all threaded connections to the pump itself. **Do not use pipe joint compounds on plastic pumps:** they can react with the plastic in pump components. Make sure that all pipe joints in the suction pipe are air tight as well as water tight. *If the suction pipe can suck air, the pump will not be able to pull water from the well.*

⚠ WARNING Risk of electric shock. Can shock, burn or kill. Disconnect power before working on pump, motor, pressure switch, or wiring.

Motor Switch Settings

NOTICE 1/2 HP motors are dual voltage and are factory set to 115 V. 3/4 & 1 HP motors are also dual voltage, but are factory set to 230 V. Motor terminal boards (located under the motor end cover) should look like one of those below. Use the instructions to set your motor to match your power source.

⚠ WARNING Risk of electric shock. Can shock, burn or kill. **Never** connect a motor set to 115 V to a 230 V power source.

Plug Type Voltage Selector

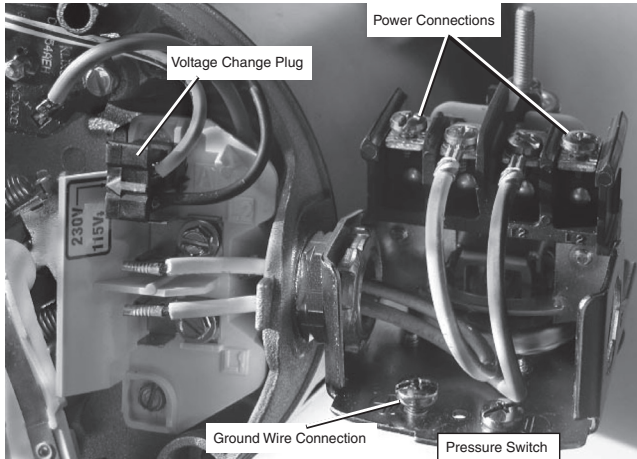


Figure 14 - Voltage set to 230 V, Plug Type

Voltage is set to 230 V To change to 115 V:

1. Make sure power is off.
2. Pull the voltage change plug off of the tabs.
3. Move the voltage change plug to the 115 V position. The plug will now cover 2 metal tabs and the arrow on the plug will line up with the 115 V arrow on the label.

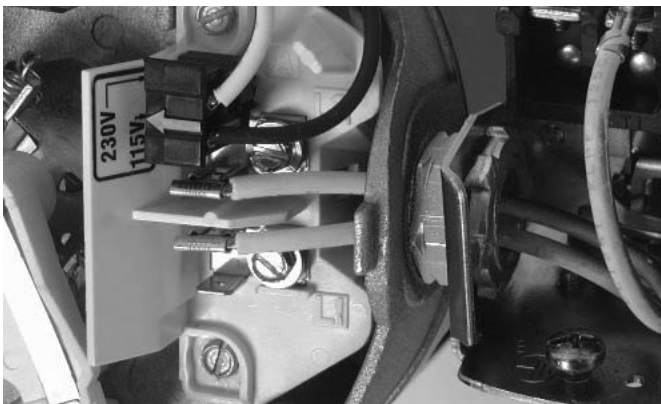


Figure 15 - Voltage set to 115 V, Plug Type

4. Attach the incoming power leads to the two outer screws on the pressure switch as shown in Figure 14.
5. Attach the ground wire to one of the grounding connections, shown in Figure 14.
6. If there are other wires, they should be capped.
7. Reinstall the motor end and pressure switch covers.

Dial Type Voltage Selector

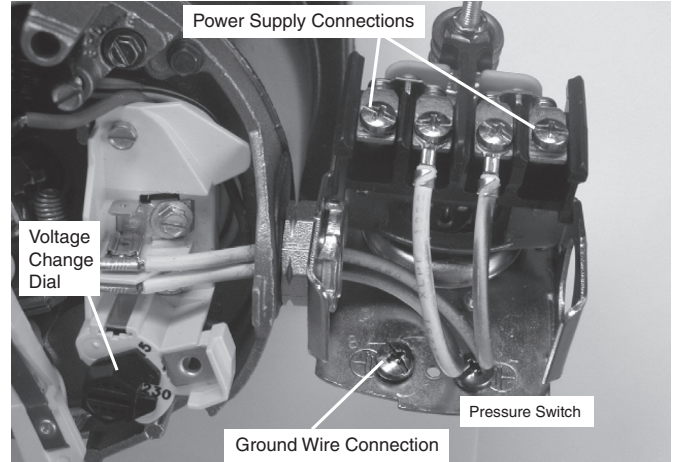


Figure 16 - Voltage set to 230 V, Dial Type

Voltage is set to 230 V To change to 115 V:

1. Make sure power is off.
2. Turn the dial counter-clockwise until 115 shows in the dial window as shown in Figure 17.



Figure 17 - Voltage set to 115 V, Dial Type

3. Attach the incoming power leads to the two outer screws on the pressure switch as shown in Figure 16.
4. Attach the ground wire to the grounding connections as shown in Figure 16.
5. If there are other wires, they should be capped.
6. Reinstall the motor end and pressure switch covers.

⚠ WARNING Risk of electric shock. Can shock, burn or kill. Connect ground wire before connecting power supply wires. Use the wire size (including the ground wire) specified in the wiring chart. If possible, connect the pump to a dedicated branch circuit (one with no other appliances on it).

⚠ WARNING Risk of explosion. Do not ground to a gas supply line.

Wiring Connections

⚠ WARNING Risk of fire. Incorrect voltage can cause a fire or seriously damage the motor and voids the warranty. The supply voltage must be within ±10% of the motor nameplate voltage.

NOTICE Dual-voltage motors may be set for 115 V or 230 V. If necessary, reset the motor to the desired voltage, as shown. Do not alter the wiring in single voltage motors.

Install, ground, wire, and maintain your pump in compliance with the National Electrical Code (NEC) or the Canadian Electrical Code (CEC), as applicable, and with all local codes and ordinances that apply. Consult your local building inspector for code information.

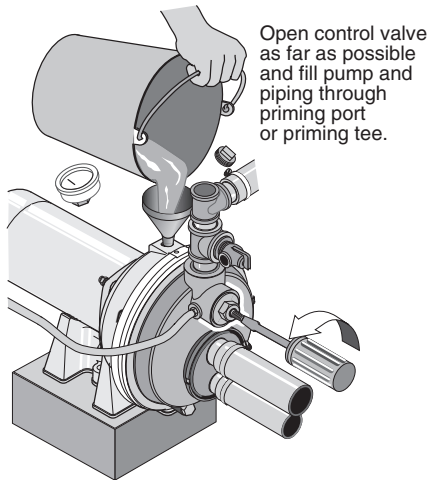
Connection Procedure:

1. Connect the ground wire first as shown in Figure 16. The ground wire must be a solid copper wire the same or larger gauge as the power supply wires.
2. There must be a solid metal connection between the pressure switch and the motor for motor grounding protection. If the pressure switch is not connected to the motor, connect the green ground screw in the switch to the green ground screw under the motor end cover. Use a solid copper wire the same or larger gauge as the power supply wires.
3. Connect the ground wire to a grounded lead in a service panel, to a metal underground water pipe, to a metal well casing at least ten feet (3 m) long, or to a ground electrode provided by the power company or the hydro authority.
4. Connect the power supply wires to the pressure switch as shown in Figure 16.

You have just completed the wiring for your pump.
Please go to Page 11 or 12 for startup preparations.

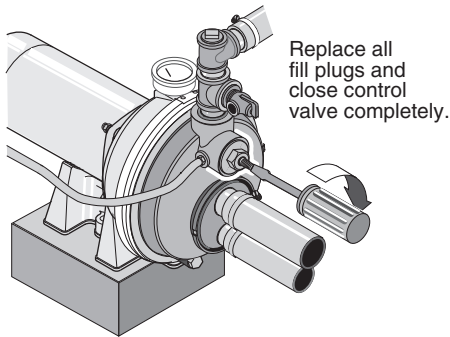
Wiring Chart – Recommended Wire and Fuse Sizes

Motor HP	Volts	Max. Load Amp	Branch Fuse Rating Amp	DISTANCE IN FEET FROM MOTOR TO SUPPLY					
				0 - 50	51 - 100	101 - 200	201 - 300	301 - 400	401 - 500
				AWG WIRE SIZE (mm ²)					
1/2	115/230	9.9/4.95	15/15	14/14 (2/2)	14/14 (2/2)	12/14 (3/2)	10/12 (5/3)	8/12 (7/3)	8/10 (7/5)
3/4	115/230	12.2/6.1	20/15	14/14 (2/2)	14/14 (2/2)	10/14 (5/2)	8/14 (7/2)	8/14 (7/2)	6/12 (9/3)
1	115/230	14.8/7.4	20/15	14/14 (2/2)	12/14 (3/2)	10/14(5/2)	8/12 (7/3)	8/12 (7/3)	6/12 (9/3)



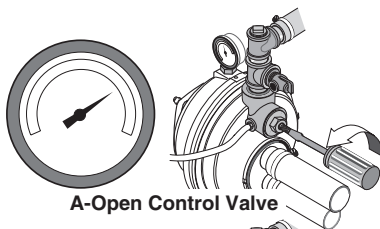
Open control valve as far as possible and fill pump and piping through priming port or priming tee.

Figure 18 - Fill Pump

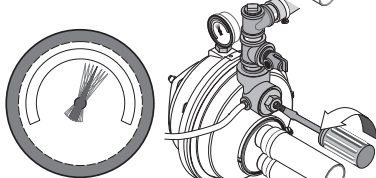


Replace all fill plugs and close control valve completely.

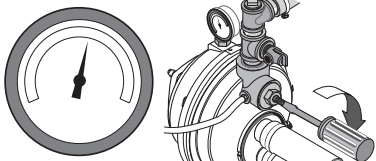
Figure 19 - Prime Pump



A-Open Control Valve



B-Watch for Pressure Gauge to Flutter



C-Close Control Valve until Pressure Stabilizes

Figure 20 - Set Control Valve

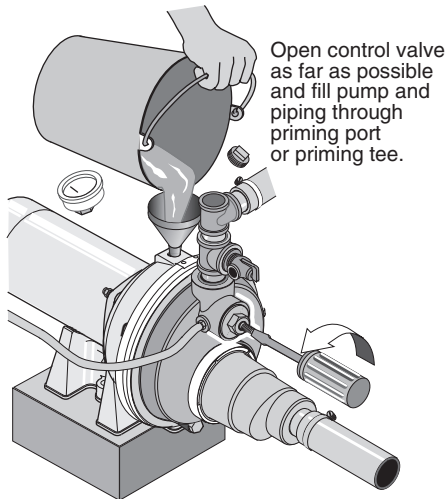
⚠ CAUTION Risk of burns. Never run pump dry. Running pump without water may cause pump to overheat, damaging seal and possibly causing burns to persons handling pump. Fill pump with water before starting.

⚠ WARNING Risk of explosion and scalding. Never run pump against closed discharge. To do so can boil water inside pump, causing hazardous pressure in unit, risk of explosion and possibly scalding persons handling pump.

1. Open the control valve as far as possible. Then remove the priming plug from the pump and fill the pump, fill all piping between the pump and the well, and make sure that all piping in the well is full. If you have also installed a priming tee in the suction piping, remove the plug from the tee and fill the suction piping.
2. Replace all fill plugs and close the control valve completely.
3. Power on! Start the pump and watch the pressure gauge. The pressure should build rapidly to 50 PSI as the pump primes.
4. Open several faucets in the residence to permit water flow and to release trapped air. After 2 or 3 minutes, the gauge should show pressure. If not, stop the pump, remove the fill plugs, reopen the control valve, and refill the pump and piping. You may have to repeat this two or three times in order to get all the trapped air out of the piping. Don't forget to close the control valve each time before you start the pump.
5. When water pressure has built up and is maintained by the pump, slowly open the control valve while watching the pressure gauge needle. Continue opening the valve until the valve is fully open or you see the pressure gauge needle start to flutter. If the needle starts to flutter, slowly close the valve just enough to stop the flutter. Your pump is now operating at peak efficiency.
6. Close all open faucets. After the pump has built up pressure in the system and shut off, check the pressure switch operation by opening a faucet or two and running enough water out to bleed off pressure until the pump starts. The pump should start when pressure drops to 30 PSI and stop when pressure reaches 50 PSI. Run the pump through one or two complete cycles to verify correct operation. This will also help clean the system of dirt and scale dislodged during installation.

Congratulations on a successful installation.

If you were unsuccessful, please refer to Troubleshooting or call our customer service technical staff.



Open control valve as far as possible and fill pump and piping through priming port or priming tee.

Figure 21 - Open Control Valve

⚠ CAUTION Risk of burns. Never run pump dry. Running pump without water may cause pump to overheat, damaging seal and possibly causing burns to persons handling pump. Fill pump with water before starting.

⚠ WARNING Risk of explosion and scalding. Never run pump against closed discharge. To do so can boil water inside pump, causing hazardous pressure in unit, risk of explosion and possibly scalding persons handling pump.

1. Open the control valve as far as possible. Then remove the priming plug from the pump and fill the pump, fill all piping between the pump and the well, and make sure that all piping in the well is full. If you have also installed a priming tee in the suction piping, remove the plug from the tee and fill the suction piping.
2. Replace all fill plugs. Leave the control valve open (in a shallow well installation, the control valve always stays open).
3. Power on! Start the pump. The pump should pump water in two or three minutes.
4. If you don't have water after 2 or 3 minutes, stop the pump and remove the fill plugs. Refill the pump and piping. You may have to repeat this two or three times in order to get all the trapped air out of the piping. The control valve remains open throughout this procedure.
5. After the pump has built up pressure in the system and shut off, check the pressure switch operation by opening a faucet or two and running enough water out to bleed off pressure until the pump starts. The pump should start when pressure drops to 30 PSI and stop when pressure reaches 50 PSI. Run the pump through one or two complete cycles to verify correct operation. This will also help clean the system of dirt and scale dislodged during installation.

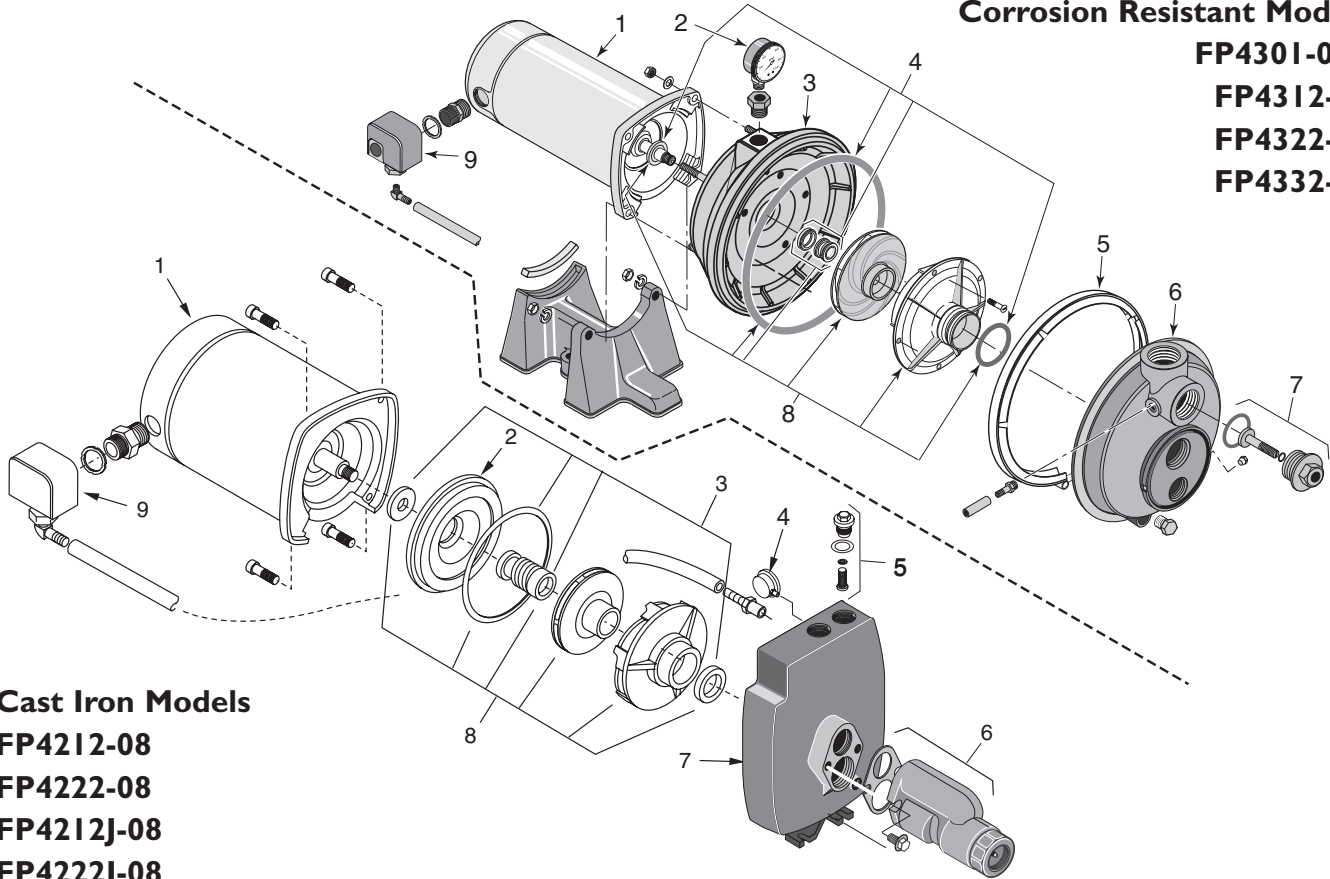
Congratulations on a successful installation.

If you were unsuccessful, please refer to *Troubleshooting* or call our customer service technical staff.

Symptom	Possible Cause(s)	Corrective Action
Motor will not run	Disconnect switch is off	Be sure switch is on.
	Fuse is blown or circuit breaker tripped	Replace fuse or reset circuit breaker.
	Starting switch is defective	DISCONNECT POWER; Replace starting switch.
	Wires at motor are loose, disconnected, or wired incorrectly	Refer to instructions on wiring (Page 9). DISCONNECT POWER; check and tighten all wiring. ⚠️ WARNING Risk of electric shock. Can shock, burn or kill. Capacitor voltage may be hazardous. To discharge capacitor, hold insulated handle screwdriver BY THE HANDLE and short capacitor terminals together. Do not touch metal screwdriver blade or capacitor terminals. If in doubt, consult a qualified electrician.
Motor runs hot and overload kicks off	Motor is wired incorrectly	Refer to instructions on wiring.
	Voltage is too low	Check supplied voltage.
		Check with power company. Install heavier wiring if wire size is too small (See Electrical / Wiring Chart).
Pump cycles too frequently	See section below on too frequent cycling.	
Motor runs but no water is delivered* * Stop pump; then check prime before looking for other causes. Unscrew priming plug and see if water is in priming hole.	Pump in new installation did not pick up prime through: 1. Improper priming 2. Air leaks 3. Leaking foot valve or check valve	In new installation: 1. Re-prime according to instructions. 2. Check all connections on suction line, AVC, and ejector with shaving cream. 3. Replace foot valve or check valve.
	Pump has lost prime through: 1. Air leaks 2. Water level below suction pipe inlet 3. Faulty check or foot valve.	In installation already in use: 1. Check all connections on suction line and shaft seal. 2. Lower suction line into water and re-prime. If receding water level in well exceeds 25' (7.6M), a deep well pump is needed. 3. Replace faulty valve.
	Foot valve or strainer is plugged	Clean foot valve or strainer.
	Ejector or impeller is plugged	Clean ejector or impeller.
	Check valve or foot valve is stuck shut	Replace check valve or foot valve.
	Pipes are frozen	Thaw pipes. Bury pipes below frost line. Heat pit or pump house.
	Foot valve and/or strainer are buried in sand or mud	Raise foot valve and/or strainer above bottom of water source. Clean foot valve and strainer.
	Water level is too low for shallow well setup to deliver water	A deep well jet will be needed if your well is more than 25' (7.6M) depth to water.
Pump does not deliver water to full capacity (Also check point 3 immediately above)	Water level in well is lower than estimated	A new nozzle and venturi combination may be needed.
	Steel piping (if used) is corroded or limed, causing excess friction	Replace with plastic pipe where possible, otherwise with new steel pipe.
	Piping is too small in size	Use larger piping.
Pump delivers water but does not shut off or pump cycles too frequently	Pressure switch is out of adjustment or contacts are welded together	DISCONNECT POWER; adjust or replace pressure switch.
	Faucets have been left open	Close faucets.
	Venturi, nozzle or impeller is clogged	Clean venturi, nozzle or impeller.
	Standard pressure tank is waterlogged and has no air cushion	Drain tank to air volume control port. Check AVC for defects. Check all connections for air leaks.
	Pipes leak	Check connections.
	Foot valve leaks	Replace foot valve.
	Pressure switch is out of adjustment	Adjust or replace pressure switch.
Air charge too low in pre-charged tank	DISCONNECT POWER and open faucets until all pressure is relieved. Using tire pressure gauge, check air pressure in tank at valve stem located on the tank. If less than pressure switch cut-in setting (30-50 PSI), pump air into tank from outside source until air pressure is 2 PSI less than cut-in setting of switch. Check air valve for leaks (use soapy solution) and replace core if necessary.	
Air spurts from faucets	Pump is picking up prime	When pump has picked up prime, it should pump solid water with no air.
	Leak in suction side of pump	Suction pipe is sucking air. Check joints for leaks with shaving cream.
	Well is gaseous	Consult factory about installing a sleeve in the well.
	Intermittent over-pumping of well. (Water drawn down below foot valve.)	Lower foot valve if possible, otherwise restrict pump discharge.

Corrosion Resistant Models

FP430I-01L
FP4312-08
FP4322-08
FP4332-08



Cast Iron Models

FP4212-08
FP4222-08
FP4212J-08
FP4222J-08

Ref.	Part Description	Model and HP		
		FP4312-08 1/2HP	FP4322-08 3/4HP	FP4332-08 1 HP
1	Motor	J218-582A-115PKG	A100DL	A100EL
2	Pressure Gauge	TC2104	TC2104	TC2104
3	Pump Body (Back Half)	L176-47P	L176-47P	L176-47P
4	Seal & Gasket Kit *	FPP1500	FPP1500	FPP1500
5	V-Clamp Assembly	C19-54SS	C19-54SS	C19-54SS
6	Pump Body (Front Half)	L76-37P	L76-37P	L76-37P
7	Control Valve Assembly	L162-10PS	L162-10PS	L162-10PS
8	Overhaul Kit **	FPP1511	FPP1512	FPP1513
9	Pressure Switch Assembly	TC2151	TC2151	TC2151

Ref.	Part Description	Model and HP	
		FP4212-08 FP4212J-08# 1/2HP	FP4222-08 FP4222J-08 3/4HP
1	Motor	J218-582A-115PKG	A100DL
2	Seal Plate	N3-1043P	N3-1043P
3	Seal & Gasket Kit*	FPP1550	FPP1550
4	Pressure Gauge	TC2104	TC2104
5	Control Valve Assembly	01322	01322
6	Jet Package***	J198-22	J198-22
7	Pump Body	L76-44	L76-44
8	Overhaul Kit**	FPP1560	FPP1561
9	Pressure Switch	TC2151	TC2151

* Includes: water slinger, seal plate O-ring or gasket, shaft seal, diffuser pad, and diffuser O-ring or gasket.

** Includes: Seal and Gasket Kit plus seal plate insert, impeller and diffuser.

*** FP4212J and FP4222J only. For component part numbers, see the following page.

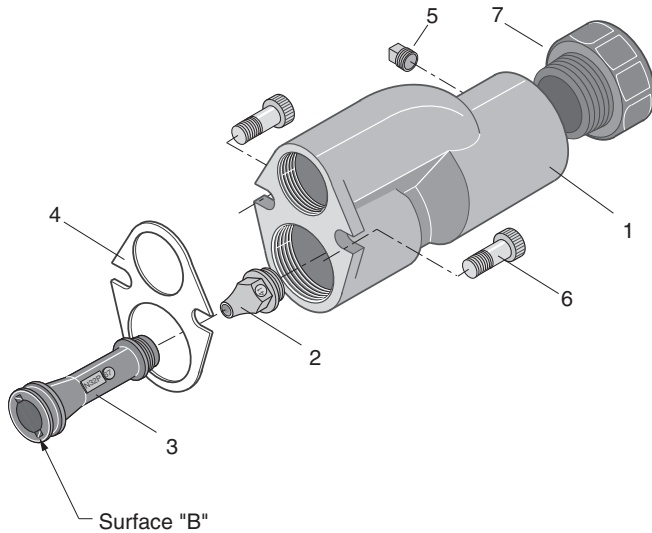
Included in Models FP4212J15H-04 and FP4212J42-04.

Repair instructions are included with all repair kits.

Ejector Package are available for either shallow well or deep well operation. Pump owners manual describes conditions that define shallow well and deep well operation. Read manual carefully to determine your pumping requirements. Note that the nozzle comes pre-installed in ejector body and works with both shallow well and deep well venturis.

Shallow Well Installation

Shallow Well Kit for 4200 Series Pump Kit FP4855

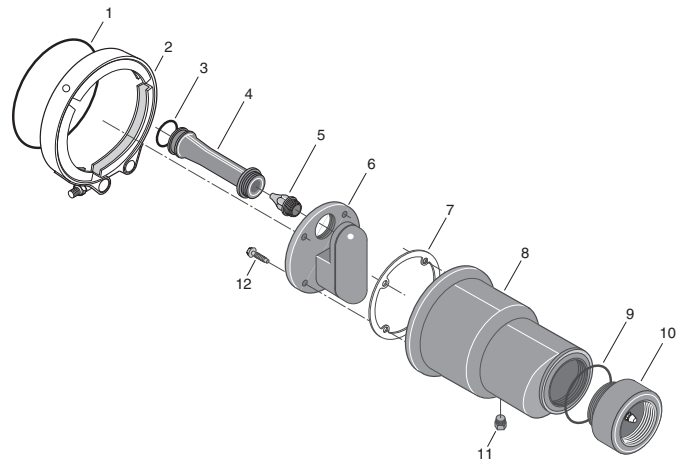


NOTICE Use care not to damage sealing face (marked "Surface B" on drawing above) or internal leakage may occur.

Ref.	Description	Part Number
1	Ejector Body	N40-92
2	Nozzle (#51)	J34P-41
3	Venturi, Shallow Well	N32P-66B*
4	Gasket	N20-25
5	Pipe Plug	U78-56ZPS
6	Socket Head Capscrew (2 Req.)	U30-961PS
7	Check Valve	N212-12P

* The 3/4 HP Pump uses shallow well venturi N32P-67B.

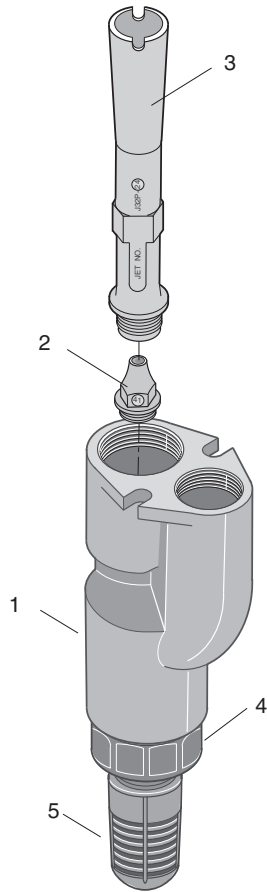
Shallow Well Kit for 4300 Series Pump Kit FP4875



Ref.	Description	Part Number
1	O-Ring, Jet Body	U9-202
2	Clamp	J19-6
3	O-Ring, Venturi	U9-201
4	Venturi, 3/4 HP	N32P-63
	Venturi, 1 HP	N32P-64
	Venturi, 1/2 HP	N32P-72
5	Nozzle (#51), 1/2 & 3/4 HP	J34P-41
	Nozzle (#54), 1 HP	J34P-44
6	Insert, Jet Body	N40-39P
7	Gasket	J20-18
8	Jet Body	N40-38P
9	O-Ring, Check Valve	U9-226
10	Check Valve - Complete	N166-5P
11	Pipe Plug - 1/8" NPT - Sq. Hd.	WC78-41T
12	Screw - #10 - 16 x 1-1/8" Lg. (4 Req.)	U30-742SS

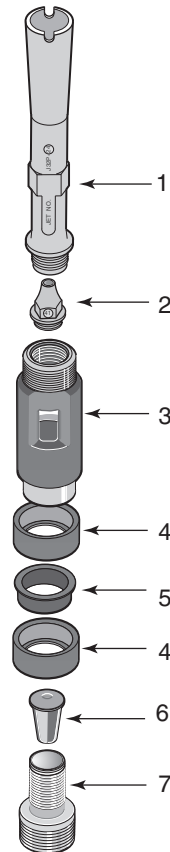
Deep Well Installation

4" Double Pipe Kit for 4200 and 4300 Series Pumps Kit FP4800



Ref.	Description	Part Number
1	Ejector Body	N40-92
2	Nozzle (#51)	J34P-41
	Nozzle (#52)	J34P-42
3	Venturi [<120' (36.6 m)]	J32P-24
	Venturi [>110' (33.6 m)]	J32P-18
4	Check Valve	N212-12P
5	Strainer	L8-1P

2" Single Pipe Kit for 4200 and 4300 Series Pumps Kit FP4840




Ref.	Description	Part Number
1	Venturi [<120' (36.6 m)]	J32P-24
	Venturi [>110' (33.6 m)]	J32P-18
2	Nozzle (#52)	J34P-42
	Nozzle (#54)	J34P-44
3	Jet Body	J40-24
4	Cup Leather (2)	J57-1
5	Spacer	J43-14P
6	Check Valve	P122-10B
7	Valve Seat	J66-13
*	Casing Adapter	J216-44
*	Turned Couplings 1-1/4 NPT (5)	U11-1

* Not Illustrated.

Directives de sécurité importantes

Conservez ces directives – Ce manuel renferme d'importantes directives qu'il faut suivre durant l'installation et l'entretien de la pompe.

Ce symbole  indique qu'il faut être prudent. Lorsque ce symbole apparaît sur la pompe ou dans cette Notice, rechercher une des mises en garde qui suivent, car elles indiquent un potentiel de blessures corporelles!

Le mot signal **▲ DANGER** indique un danger qui, s'il n'est pas évité, *causera* la mort ou des blessures graves.

Le mot signal **▲ AVERTISSEMENT** indique un risque qui, s'il n'est pas évité, *pourrait causer* la mort ou des blessures graves.

Le mot signal **▲ ATTENTION** indique un risque qui, s'il n'est pas évité, *pourrait causer* des blessures mineures ou modérées.

Le mot **AVIS** est utilisé pour les pratiques qui ne sont pas reliées aux blessures personnelles.

Lire attentivement toutes les consignes de sécurité contenues dans cette Notice ou collées sur la pompe.

Garder les autocollants de sécurité en bon état; les remplacer s'ils manquent ou s'ils ont été endommagés.

Avertissement lié à la Proposition 65 de la Californie

▲ AVERTISSEMENT Ce produit et les accessoires connexes contiennent des produits chimiques reconnus dans l'État de la Californie comme pouvant provoquer des cancers, des anomalies congénitales ou d'autres dangers relatifs à la reproduction.

 AVERTISSEMENT

<p>Tension dangereuse. Risque de secousses électriques, de brûlures, voire de mort.</p> <p>Mettre à la terre la pompe avant de la brancher sur le courant électrique. Couper l'arrivée de courant avant d'intervenir sur la pompe, sur le moteur ou sur le réservoir.</p>

▲ Câbler le moteur en fonction de la bonne tension. Voir la Section «Électricité» de cette Notice et la plaque signalétique du moteur.

▲ Mettre à la terre le moteur avant de le brancher sur le courant électrique.

▲ Conforme au Code national de l'électricité, au Code canadien de l'électricité et aux codes municipaux pour tous les câblages.

▲ Respecter les instructions de câblage figurant dans cette Notice lorsque l'on branche le moteur sur une ligne haute tension.

Sécurité concernant l'électricité

▲ AVERTISSEMENT **Risque de secousses électriques.** Pouvant causer des brûlures, voire la mort. Pour décharger le condensateur du moteur, tenir un tournevis à manche isolé **PAR LE MANCHE** et mettre en court-circuit les bornes du condensateur. Ne pas toucher la lame métallique du tournevis ni les bornes du condensateur. En cas de doute, consulter un électricien qualifié.

Sécurité générale

▲ ATTENTION **Risque de brûlures.** Ne pas toucher un moteur qui fonctionne. Les moteurs sont conçus pour fonctionner par des températures élevées. Pour ne pas se brûler lorsque l'on interviendra sur la pompe, la laisser refroidir pendant 20 minutes après l'avoir arrêtée avant de la toucher.

Ne pas laisser geler la pompe ni aucun autre élément du système, sinon la garantie sera annulée.

Ne pomper que de l'eau avec cette pompe.



Périodiquement, inspecter la pompe et tous les éléments du système.

Toujours porter des lunettes de sécurité lorsque l'on intervient sur une pompe.

Garder la zone de travail propre, non encombrée et bien éclairée; tous les outils et tout l'équipement non utilisés doivent être entreposés correctement.

Ne pas laisser les visiteurs s'approcher de la zone de travail.

▲ AVERTISSEMENT **Risque d'explosion.** Ne pas mettre à la terre sur une conduite de gaz. Le corps de la pompe peut exploser si la pompe est utilisée en tant que pompe de surpression, à moins qu'une soupape de sûreté pouvant laisser passer le débit maximum de la pompe à 75 lb/po² soit posée.

 AVERTISSEMENT	
<p>Pression dangereuse!</p> <p>Poser une soupape de sûreté sur le tuyau de refoulement.</p> <p>Dissiper toute la pression du système avant d'intervenir sur un élément.</p>	

Conserver le reçu de caisse original aux fins d'admissibilité à la garantie

Garantie limitée

La présente garantie limitée est entrée en vigueur le 1er juin 2011 et remplace toute garantie non datée ou antérieure à cette date. FLOTEC garantit à l'acheteur/au consommateur d'origine (l'Acheteur) que ses produits sont exempts de tout vice de matériau et de fabrication. Cette garantie est valable pendant douze (12) mois à partir de la date d'achat d'origine. Si, dans les douze (12) mois suivant la date d'achat d'origine, un produit se révèle défectueux, il doit être réparé ou remplacé, à la discrétion de FLOTEC, selon les modalités énoncées aux présentes. Il est à noter que la présente garantie limitée s'applique aux défauts de fabrication seulement. Elle ne couvre pas l'usure normale. Tout dispositif mécanique doit faire l'objet d'un entretien périodique pour veiller à son bon fonctionnement. La présente garantie limitée ne couvre pas les réparations attribuables à l'usure normale d'une pièce ou de l'équipement.

Le reçu de caisse original et l'étiquette d'information sur la garantie sont nécessaires pour déterminer l'admissibilité à la garantie. Cette dernière est établie en fonction de la date d'achat de l'article et non de la date de son remplacement sous garantie. La garantie se limite à la réparation ou au remplacement de l'article original seulement et ne couvre pas l'article de rechange (c.-à-d. un article remplacé sous garantie par achat). L'Acheteur assume les frais de retrait, d'installation, de transport et tous les frais accessoires.

Pour obtenir des pièces ou de l'aide technique, NE PAS retourner le produit au détaillant. Contacter le service à la clientèle de FLOTEC au 800 365-6832.

Toute demande de règlement en vertu de la présente garantie doit être faite en retournant l'article (à l'exception des pompes de puisard; voir la marche à suivre ci-dessous) au magasin où celui-ci a été acheté ou à l'usine dès qu'une défectuosité est soupçonnée. FLOTEC prendra les mesures correctives nécessaires dans un délai rapide et raisonnable. Aucune demande de réparation ne sera acceptée plus de 30 jours après l'expiration de la garantie.

La garantie ne peut être cédée et ne s'applique pas aux produits utilisés à des fins commerciales ou de location.

Pompes d'eaux d'égout

NE PAS RETOURNER une pompe d'eaux d'égout (qui a été installée) au détaillant. Communiquer avec le service à la clientèle de FLOTEC. Les pompes d'eaux d'égout qui ont été utilisées, puis retirées présentent un risque de contamination.

En cas de défaillance de la pompe d'eaux d'égout :

- Porter des gants en caoutchouc pour manipuler la pompe.
- À des fins de garantie, retourner l'étiquette figurant sur le cordon de la pompe et l'original du reçu au détaillant.
- Mettre la pompe au rebut conformément à la réglementation locale.

Exceptions à la garantie limitée de douze (12) mois

Produit	Période de garantie
FP0F360AC, FP0FDC	90 jours
FP0S1775A, FP0S1790PCA, FP0S2400A, FP0S2450A, FP0S4100X, FP2800DCC, FPCP-20ULST, FPPSS3000, FPSC2150A, FPSC3150A, FPSC3350A	2 ans
Pompes de puits submersibles de 10,2 cm (4 po), FP0S3200A, FP0S3250A, FP0S6000A, FPSC1725X, FPSC2200A, FPSC2250A, FPSE3601A, FPPSS5000	3 ans
Réservoir préchargé de système d'eau (gamme FP7100), E100ELT, E3305TLT, E3375TLT, E5005TLTT, E50TLT, E50VLT, E75STVT, E75VLT, FPSC3200A, FPSC3250A, FPSC4550A	5 ans

Modalités générales et restriction des recours

L'Acheteur doit payer tous les frais de main d'œuvre et de transport nécessaires au remplacement du produit garanti couvert par cette garantie. Cette garantie ne s'applique pas à ce qui suit : (1) Les catastrophes naturelles; (2) Les produits qui, selon FLOTEC, ont fait l'objet d'une négligence, d'une utilisation abusive, d'un accident, d'une mauvaise application ou d'une altération; (3) Les défaillances dues à une installation, une utilisation, un entretien ou un entreposage inappropriés; (4) Une application, une utilisation ou une réparation atypique ou non approuvée; (5) Les défaillances causées par la corrosion, la rouille ou d'autres matériaux étrangers au système, ou par une utilisation à une pression supérieure au maximum recommandé.

Cette garantie établit la responsabilité unique de FLOTEC et le recours exclusif de l'Acheteur en cas de produit défectueux.

FLOTEC NE POURRA TRE TENUE RESPONSABLE DE TOUT DOMMAGE INDIRECT OU CONSÉCUTIF QUEL QU'IL SOIT.

LA GARANTIE LIMITÉE SUSMENTIONNÉE EST EXCLUSIVE ET REMPLACE TOUTES LES AUTRES GARANTIES EXPRESSES ET TACITES, Y COMPRIS, MAIS SANS S'Y LIMITER, LES GARANTIES DE QUALITÉ MARCHANDE ET D'ADAPTATION À UN USAGE PARTICULIER. LA GARANTIE LIMITÉE SUSMENTIONNÉE NE DOIT PAS ÊTRE PROLONGÉE AU-DELÀ DE LA DURÉE PRÉVUE AUX PRÉSENTES.

Certains États ne permettent pas l'exclusion ou la limitation des dommages indirects ou consécutifs, ni les limitations relatives à la durée des garanties implicites. Par conséquent, il se peut que les limitations ou les exclusions ci-dessus ne s'appliquent pas. Cette garantie procure des droits juridiques précis à l'Acheteur. Cependant, il est possible de bénéficier d'autres droits, qui varient selon l'État.

FLOTEC • 293 Wright Street • Delavan, WI U.S.A. 53115

Téléphone : 800 365-6832 • Télécopieur : 800 526-3757 • www.flotecwater.com

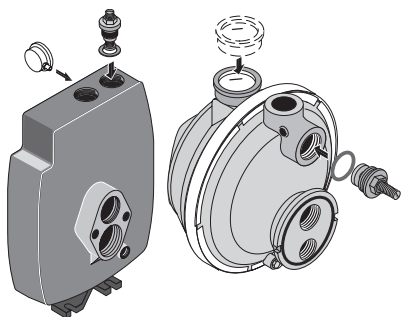


Figure 1 - Poser la vanne de réglage et le manomètre

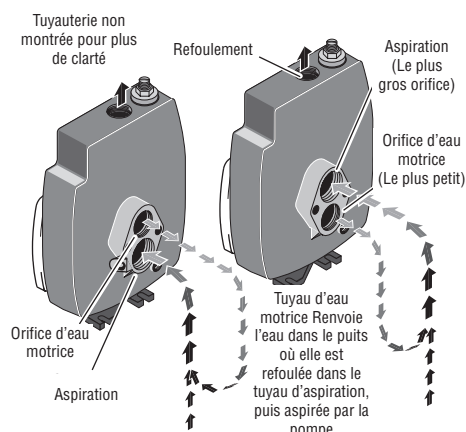


Figure 2 - Fonctions d'eau motrice et d'aspiration

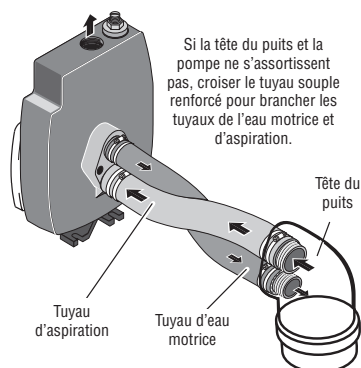


Figure 3 - Branchement inversé dans le puits

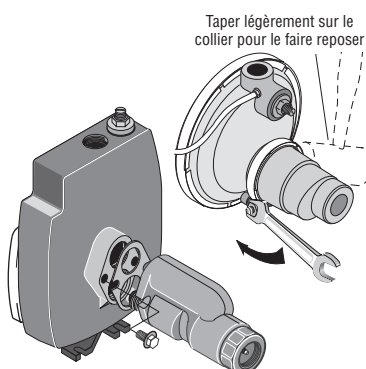


Figure 4 - Montage de l'éjecteur - puits peu profonds

Puits profonds

⚠ AVERTISSEMENT **Risque de secousses électriques.** Pouvant causer des brûlures, voire la mort. Couper l'arrivée de courant à la pompe avant d'intervenir sur la pompe ou sur le moteur.

1. Vider toute l'eau de l'ancienne pompe; déposer l'ancienne pompe. Vérifier la tuyauterie à la recherche de dépôts de tartre, de chaux, de rouille, etc.; la remplacer selon le besoin.
2. Poser la vanne de réglage et le manomètre dans le corps de la pompe.
3. Si l'ancienne pompe comporte un tuyau d'aspiration (le plus grand orifice — voir la Figure 2) sous l'orifice de pression, un tuyau souple devra être branché entre la tête du puits et la pompe pour que le branchement soit fait comme il faut.

AVIS L'ancien éjecteur (celui qui est dans le puits) ne s'assortira peut-être pas bien avec la nouvelle pompe. Si le rendement de la nouvelle pompe n'est pas adéquat, nous recommandons de poser un nécessaire d'éjecteur Flotec FP4800.

4. Brancher la pompe sur le système. S'assurer que tous les raccords du tuyau d'aspiration sont bien étanches, aussi bien à l'air qu'à l'eau. Si le tuyau d'aspiration aspire de l'air, la pompe ne pompera pas l'eau du puits.
5. Régler la hauteur de montage de la pompe de façon que les raccords de plomberie n'exercent aucune contrainte sur le corps de la pompe. Supporter les tuyaux de façon que le corps de la pompe ne supporte pas le poids de la tuyauterie ni des raccords.

Le branchement de cette pompe à éjecteur neuve pour puits profonds sur la tuyauterie du puits est maintenant terminé. Passer à la page 23 pour le branchement du tuyau de refolement et sur un réservoir.

Puits peu profonds

⚠ AVERTISSEMENT **Risque de secousses électriques.** Pouvant causer des brûlures, voire la mort. Couper l'arrivée de courant à la pompe avant d'intervenir sur la pompe ou sur le moteur.

1. Vider toute l'eau de l'ancienne pompe; déposer l'ancienne pompe. Vérifier la tuyauterie à la recherche de dépôts de tartre, de chaux, de rouille, etc.; la remplacer selon le besoin.
2. Poser la vanne de réglage et le manomètre dans le corps de la pompe (voir la Figure 1).
3. Poser le nécessaire d'éjecteur FP4855 dans le cas d'une pompe de la série 4200, ou le nécessaire FP4875 dans le cas d'une pompe de la série 4300 (les nécessaires sont vendus séparément). Suivre les instructions fournies avec le nécessaire. S'assurer de bien aligner le venturi avec le trou supérieur qui se trouve à l'avant de la pompe.

AVIS Toujours remplacer l'éjecteur lorsque l'on remplace la pompe d'un puits peu profonds.

4. Brancher la pompe sur le système. S'assurer que tous les raccords du tuyau d'aspiration sont bien étanches, aussi bien à l'air qu'à l'eau. Si le tuyau d'aspiration aspire de l'air, la pompe ne pompera pas l'eau du puits.
5. Régler la hauteur de montage de la pompe de façon que les raccords de plomberie n'exercent aucune contrainte sur le corps de la pompe. Supporter les tuyaux de façon que le corps de la pompe ne supporte pas le poids de la tuyauterie ni des raccords.

Le branchement de cette pompe à éjecteur neuve pour puits peu profonds sur la tuyauterie du puits est maintenant terminé. Passer à la page 23 pour le branchement du tuyau de refolement et sur un réservoir.

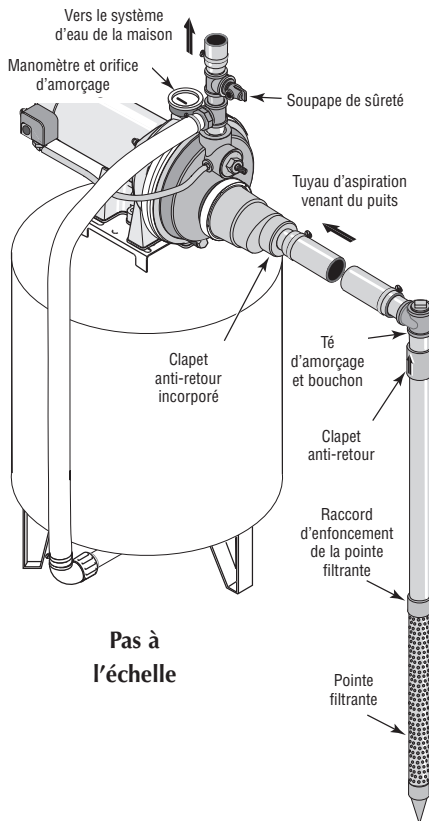


Figure 5 - Installation avec une pointe filtrante

Installation de la pointe filtrante

1. Poser la vanne de réglage et le manomètre dans le corps de la pompe.
2. Poser le nécessaire d'éjecteur FP4855 dans le cas d'une pompe de la série 4200, ou le nécessaire FP4875 dans le cas d'une pompe de la série 4300 (les nécessaires sont vendus séparément). Suivre les instructions fournies avec le nécessaire. S'assurer de bien aligner le venturi avec le trou supérieur qui se trouve à l'avant de la pompe.
3. Enfoncer la pointe dans le sol, en utilisant des «raccords d'enfoncement» et des «chapeaux de battage». Les «raccords d'enfoncement» sont filetés sur toute leur longueur, ce qui permet aux extrémités des tuyaux de venir en butée l'une contre l'autre de façon que la force d'enfoncement du maillet soit absorbée par le tuyau et non pas par les filets. Les raccords ordinaires que l'on trouve dans les quincailleries ne sont pas filetés sur toute leur longueur et ils risquent de s'écraser sous l'impact des coups. Les «raccords d'enfoncement» sont également plus lisses que les raccords de plomberie standard, ce qui leur permet de pénétrer plus facilement dans le sol.
4. Monter la pompe aussi près que possible du puits.
5. Utiliser le moins possible de raccords (en particulier des coudes) lorsque l'on branche la tuyauterie de la pointe filtrante sur l'orifice d'aspiration de la pompe. Le diamètre du tuyau d'aspiration doit être au moins aussi grand que le diamètre de l'orifice d'aspiration de la pompe (y compris le clapet anti-retour - voir la Figure 5). Supporter le tuyau de façon qu'il ne soit pas cintré afin qu'il n'exerce pas de contraintes sur le corps de la pompe; de plus, il doit être légèrement incliné vers le haut, du puits jusqu'à la pompe (les points hauts risquent de causer des poches et des bouchons d'air dans la pompe). N'utiliser du ruban d'étanchéité en PTFE pour filetage ou de la pâte pour raccords filetés à base de PTFE sur les raccords filetés approuvée sur les tuyaux en PVC. Les raccords doivent être étanches à l'air et à l'eau. Si le tuyau d'aspiration aspire de l'air, la pompe ne pompera pas l'eau du puits. Si une pointe filtrante ne fournit pas suffisamment d'eau, considérer brancher deux ou trois pointes filtrantes sur un même tuyau d'aspiration.

Le branchement de cette pompe à éjecteur neuve pour puits profonds sur la tuyauterie du puits est maintenant terminé. Passer à la page 23 pour le branchement du tuyau de refoulement et sur un réservoir.

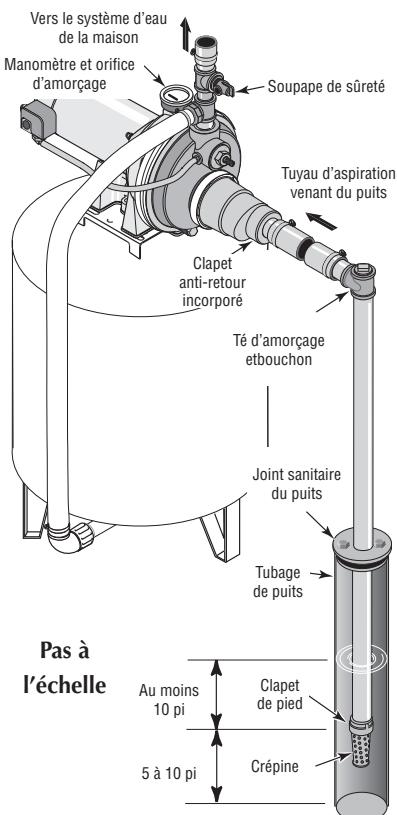


Figure 6 - Installation dans un puits à tubage

Installation sur un puits à tubage de 2 pouces de diamètre ou plus grand

1. Poser la vanne de réglage et le manomètre dans le corps de la pompe.
2. Poser le nécessaire d'éjecteur FP4855 dans le cas d'une pompe de la série 4200, ou le nécessaire FP4875 dans le cas d'une pompe de la série 4300 (les nécessaires sont vendus séparément). Suivre les instructions fournies avec le nécessaire. S'assurer de bien aligner le venturi avec le trou supérieur qui se trouve à l'avant de la pompe.
3. Monter la pompe aussi près que possible du puits.
4. Brancher le clapet de pied, la crépine et le tuyau du puits. S'assurer que le clapet de pied fonctionne librement.
5. Abaisser le tuyau dans le puits jusqu'à ce que la crépine soit à cinq pieds du fond du puits. Pour que la pompe n'aspire pas d'air, la crépine doit être au moins à 10 pieds sous le niveau de l'eau du puits pendant que la pompe fonctionne. Poser un joint sanitaire de puits.
6. Poser le té d'amorçage, le bouchon d'amorçage et le tuyau d'aspiration sur la pompe. Brancher le tuyau provenant du puits sur l'orifice d'aspiration de la pompe en utilisant le moins possible de raccords - en particulier des coudes - étant donné que les raccords augmentent le frottement de l'eau dans les tuyaux. Le diamètre du tuyau d'aspiration doit être au moins aussi grand que le diamètre de l'orifice d'aspiration de la pompe. Supporter le tuyau de façon qu'il ne soit pas cintré afin qu'il n'exerce pas de contraintes sur le corps de la pompe; de plus, il doit être légèrement incliné vers le haut, du puits jusqu'à la pompe (les points hauts risquent de causer des poches et des bouchons d'air dans la pompe). Rendre étanches les

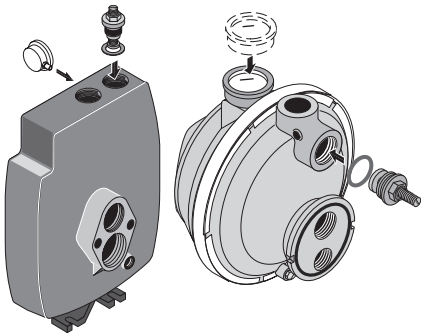


Figure 7 - Poser la vanne de réglage et le manomètre

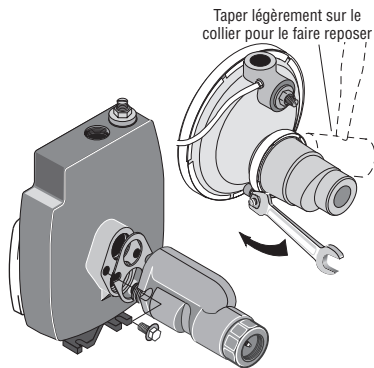


Figure 8 - Poser l'éjecteur

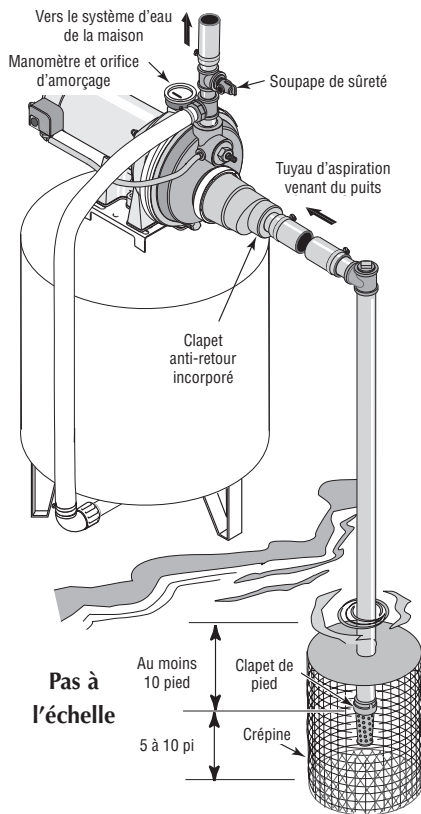


Figure 9 - Installation pour les eaux de surface

raccords du tuyau d'aspiration avec du ruban d'étanchéité en PTFE pour filetage ou une pâte pour raccords filetés à base de PTFE. Les raccords doivent être étanches à l'air et à l'eau. Si le tuyau d'aspiration aspire de l'air, la pompe ne pompera pas l'eau du puits.

Le branchement de cette pompe à éjecteur neuve pour puits profonds sur la tuyauterie du puits est maintenant terminé. Passer à la page 23 pour le branchement du tuyau de refoulement et sur un réservoir.

Installation dans le cas d'eaux en surface

1. Poser la vanne de réglage et le manomètre dans le corps de la pompe.
2. Poser le nécessaire d'éjecteur FP4855 dans le cas d'une pompe de la série 4200, ou le nécessaire FP4875 dans le cas d'une pompe de la série 4300 (les nécessaires sont vendus séparément). Suivre les instructions fournies avec le nécessaire. S'assurer de bien aligner le venturi avec le trou supérieur qui se trouve à l'avant de la pompe.
3. Monter la pompe aussi près que possible du puits en utilisant le moins possible de raccords (en particulier des coudes) sur le tuyau d'aspiration. Le diamètre du tuyau d'aspiration doit être au moins aussi grand que le diamètre de l'orifice d'aspiration de la pompe.
4. Assembler le clapet de pied et le tuyau d'aspiration. S'assurer que le clapet de pied fonctionne librement. Utiliser du ruban d'étanchéité en PTFE pour filetage ou de la pâte pour raccords filetés à base de PTFE sur les raccords filetés. Poser une crépine autour du clapet de pied pour le protéger contre les poissons, les déchets, etc.
5. Abaisser le tuyau dans le puits jusqu'à ce que la crépine soit à cinq pieds du fond du puits. Pour que la pompe n'aspire pas d'air, la crépine doit être au moins à 10 pieds sous le niveau de l'eau du puits pendant que la pompe fonctionne.
6. Poser le té d'amorçage, le bouchon d'amorçage et le tuyau d'aspiration sur la pompe (voir la Figure 9). Supporter le tuyau de façon qu'il ne soit pas cintré afin qu'il n'exerce pas de contraintes sur le corps de la pompe; de plus, il doit être légèrement incliné vers le haut, du puits jusqu'à la pompe (les points hauts risquent de causer des poches et des bouchons d'air dans la pompe). Rendre étanches les raccords du tuyau d'aspiration avec du ruban d'étanchéité en PTFE pour filetage ou une pâte pour raccords filetés à base de PTFE. Les raccords doivent être étanches à l'air et à l'eau. Si le tuyau d'aspiration aspire de l'air, la pompe ne pompera pas l'eau du puits.

Le branchement de cette pompe à éjecteur neuve pour puits profonds sur la tuyauterie du puits est maintenant terminé. Passer à la page 23 pour le branchement du tuyau de refoulement et sur un réservoir.

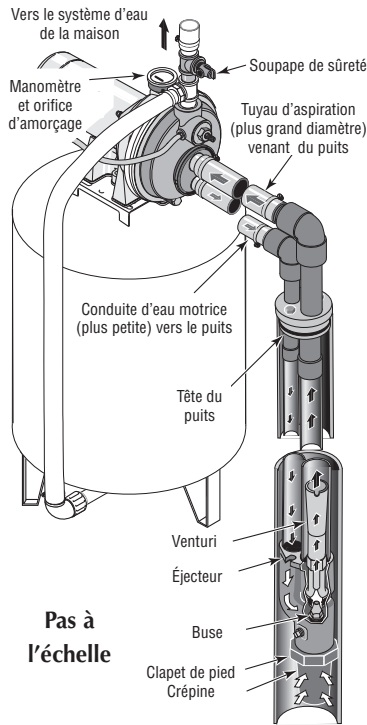


Figure 10 - Puits profond de 4 pouces et de plus grand diamètre

Puits de 4 pouces de diamètre ou plus grand

1. Poser la vanne de réglage et le manomètre dans le corps de la pompe .
2. Assembler le nécessaire d'éjecteur FP4800 (vendu séparément). Suivre les instructions fournies avec le nécessaire de façon à assortir la buse et le venturi en fonction des conditions du puits.
3. Monter la pompe aussi près que possible du puits.
4. Brancher deux tuyaux (de 1 pouce pour l'eau motrice, de 1-1/4 pouce pour l'aspiration) sur l'éjecteur et abaisser l'éjecteur dans le puits jusqu'à ce qu'il soit à cinq pieds du fond du puits. Pour que la pompe n'aspire pas d'air, l'éjecteur doit également être à au moins 10 pieds sous le niveau de l'eau pendant que la pompe fonctionne.
5. Poser un joint sanitaire de puits et brancher la tuyauterie de l'éjecteur sur la pompe. Dans le cas de tuyaux en plastique souples, utiliser des raccords en acier là où les tuyaux traversent le joint d'étanchéité du puits pour éviter d'écraser les tuyaux lors du serrage du joint.
6. Supporter le tuyau de façon qu'il ne soit pas cintré afin qu'il n'exerce pas de contraintes sur le corps de la pompe; de plus, il doit être légèrement incliné vers le haut, du puits jusqu'à la pompe (les points hauts risquent de causer des poches et des bouchons d'air dans la pompe). Rendre étanches les raccords du tuyau d'aspiration avec du ruban d'étanchéité en PTFE pour filetage ou une pâte pour raccords filetés à base de PTFE. Les raccords doivent être étanches à l'air et à l'eau. Si le tuyau d'aspiration aspire de l'air, la pompe ne pompera pas l'eau du puits.

Le branchement de cette pompe à éjecteur neuve pour puits profonds à un seul tuyau est maintenant terminé. Passer à la page 23 pour le branchement du tuyau de refoulement et sur un réservoir.

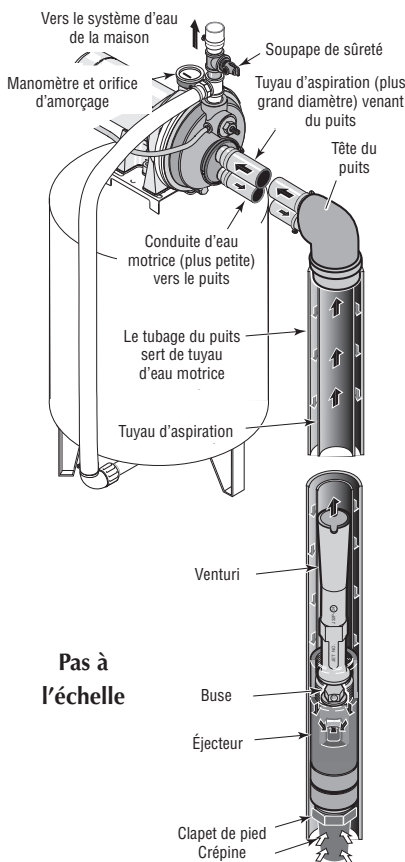


Figure 11 - Puits profond de 2 pouces (à un seul tuyau)

Puits de 2 pouces

1. Poser la vanne de réglage et le manomètre dans le corps de la pompe.
2. Monter la pompe aussi près que possible du puits.
3. Assembler le nécessaire d'éjecteur FP4840 (vendu séparément), la tuyauterie du puits et l'adaptateur de la tête du puits conformément aux instructions fournies avec l'éjecteur. Utiliser un tuyau de descente galvanisé muni de raccords usinés pour assurer un débit adéquat. Suivre les instructions fournies avec le nécessaire de façon à assortir la buse et le venturi aux conditions du puits.
4. Poser deux tuyaux (un de petit diamètre pour l'eau motrice, un de plus gros diamètre pour l'aspiration) entre le puits et la pompe. Supporter le tuyau de façon qu'il ne soit pas cintré afin qu'il n'exerce pas de contraintes sur le corps de la pompe; de plus, il doit être légèrement incliné vers le haut, du puits jusqu'à la pompe (les points hauts risquent de causer des poches et des bouchons d'air dans la pompe). Rendre étanches les raccords du tuyau d'aspiration avec du ruban d'étanchéité en PTFE pour filetage ou une pâte pour raccords filetés à base de PTFE. Les raccords doivent être étanches à l'air et à l'eau. Si le tuyau d'aspiration aspire de l'air, la pompe ne pompera pas l'eau du puits.

Le branchement de cette pompe à éjecteur neuve pour puits profonds à un seul tuyau est maintenant terminé. Passer à la page 23 pour le branchement du tuyau de refoulement et sur un réservoir.

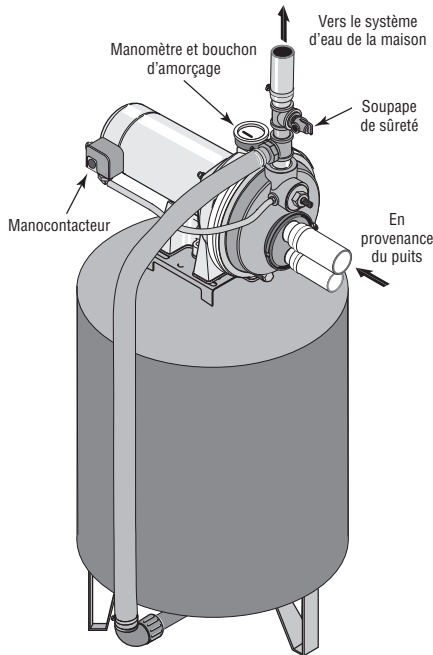


Figure 12 - Branchements sur un réservoir préchargé

Branchement sur un réservoir préchargé

1. Poser un raccord court et un té dans l'orifice de refoulement de la pompe. Le diamètre du tuyau doit être au moins aussi grand que le diamètre de l'orifice de refoulement. Poser un tuyau rigide ou un tuyau souple renforcé entre une des branches du té et l'orifice du réservoir préchargé.
2. Poser un deuxième raccord court et un deuxième té; poser une soupape de sûreté dans le té.
3. Brancher l'autre extrémité du deuxième té de refoulement sur le système de la plomberie.
4. Vérifier la précharge d'air dans le réservoir avec un manomètre pour pneu. La précharge doit être de 2 lb/po² inférieure au réglage de la pression d'enclenchement du manocontacteur de la pompe. La précharge se mesure lorsqu'il n'y a pas de pression d'eau dans le réservoir. Cette pompe neuve est équipée d'un manocontacteur 30/50 lb/po²; la pression de précharge du réservoir devra donc être réglée à 28 lb/po².

Le branchement de la pompe à éjecteur sur le réservoir est maintenant terminé. Passer aux pages 24 et 25 pour les branchements électriques.

Branchement sur un réservoir standard

1. Poser un raccord court et un té dans l'orifice de refoulement de la pompe. Poser une soupape de sûreté dans une des branches du té.
2. Poser un deuxième raccord court et un deuxième té dans la branche libre du premier té. Poser un bouchon d'amorçage dans une des branches du deuxième té.
3. Poser un tuyau entre la branche libre du deuxième té et l'orifice d'admission du réservoir. Le diamètre du tuyau doit être au moins aussi grand que le diamètre de l'orifice de refoulement de la pompe.
4. Déposer le bouchon fileté de 1/8 de pouce NPT de l'orifice du contrôleur d'air de la pompe. Poser un tube entre l'orifice du contrôleur d'air de la pompe et l'orifice du contrôleur d'air monté sur le réservoir. Pour plus de détails, se reporter aux instructions fournies avec le réservoir et le contrôleur d'air.

Le branchement de la pompe à éjecteur sur le réservoir est maintenant terminé. Passer aux pages 24 et 25 pour les branchements électriques.

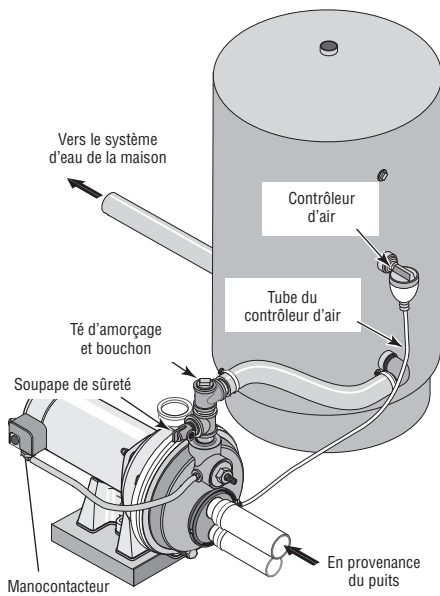


Figure 13 - Branchements sur un réservoir standard

Étanchéité des raccords des tuyaux

N'utiliser que du ruban d'étanchéité en PTFE pour filetage à base de PTFE pour procéder à tous les raccords filetés sur la pompe. **Ne pas utiliser de pâte pour raccords filetés sur les pompes en plastique** : cette pâte peut réagir avec les éléments en plastiques de la pompe. S'assurer que tous les raccords du tuyau d'aspiration sont bien étanches, aussi bien à l'air qu'à l'eau. *Si le tuyau d'aspiration aspire de l'air, la pompe ne pompera pas l'eau du puits.*

⚠ AVERTISSEMENT **Risque de secousses électriques.** Pouvant causer des brûlures, voire la mort. Débrancher le courant électrique avant d'intervenir sur la pompe, le moteur, le manostat ou le câblage.

Réglages de l'interrupteur du moteur

AVIS Les moteurs de 1/2 cheval sont des moteurs bitension. Ils ont été réglés en usine pour fonctionner sur le courant de 115 V. Les moteurs de 3/4 et de 1 cheval sont des moteurs bitension. Ils ont été réglés en usine pour fonctionner sur le courant de 230 V. La plaquette de connexions des moteurs (logée sous le couvercle arrière du moteur) ressemble à une de celles illustrées ci-dessous. Se reporter aux instructions pour régler le moteur conformément à la source d'énergie.

⚠ AVERTISSEMENT **Risque de secousses électriques.** Pouvant causer des brûlures, voire la mort. **Ne jamais** brancher un moteur réglé à 115 V à une source d'alimentation de 230 V.

Sélecteur de tension à fiche

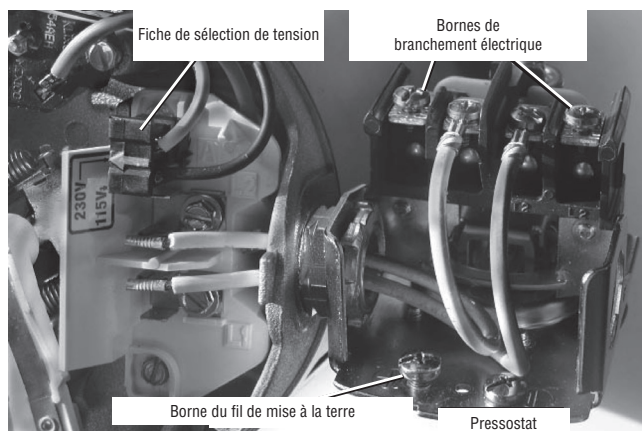


Figure 14 - Tension réglée à 230 V sur sélecteur à fiche

La tension est réglée en usine à 230 V. Pour passer au courant de 115 V :

1. S'assurer que le courant est coupé.
2. Décrocher la fiche de sélection de tension de ses pattes.
3. Déplacer la fiche sur le courant de 115 V. Sur cette position, la fiche couvre 2 pattes métalliques et la flèche sur la prise est alignée sur la flèche 115V de l'étiquette.



Figure 15 :-Tension réglée à 115 V sur sélecteur à fiche

4. Fixer les fils d'arrivée de courant aux deux vis extérieures du manostat.
5. Relier le fil de terre à l'une des bornes de mise à la terre.
6. S'il y a d'autres fils, leurs bouts doivent être isolés.
7. Reposer les couvercles d'extrémité du moteur et du manostat.

Sélecteur de tension à cadran

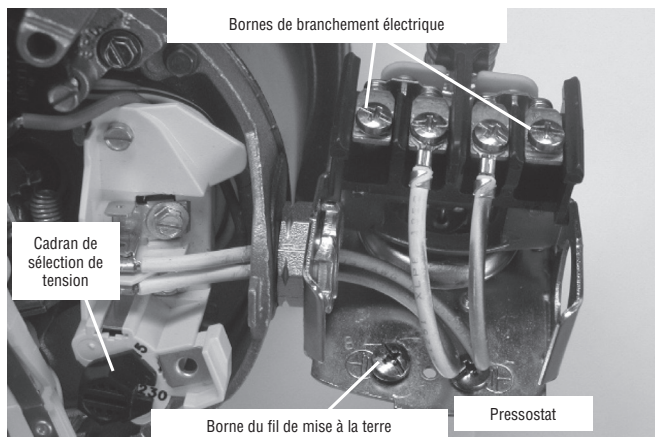


Figure 16 - Tension réglée à 230 V sur sélecteur à cadran

La tension est réglée en usine à 230 V. Pour passer au courant de 115 V :

1. S'assurer que le courant est coupé.
2. Tourner le cadran dans le sens des aiguilles d'une montre jusqu'à ce que le nombre 115 soit visible dans la fente du cadran.

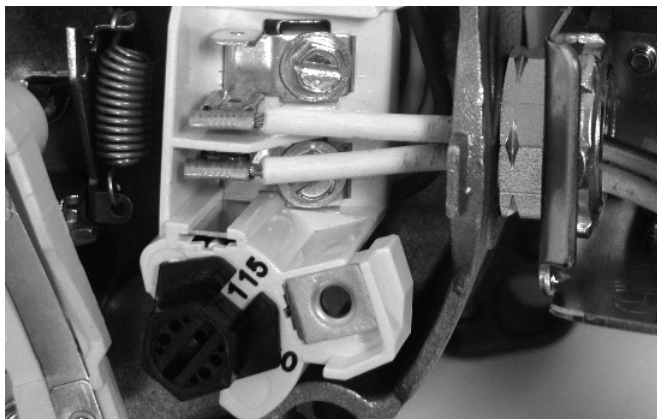


Figure 17 - Tension réglée à 115 V sur sélecteur à cadran

3. Fixer les fils d'arrivée de courant aux deux vis extérieures du manostat.
4. Relier le fil de terre aux bornes de raccord de mise à la terre.
5. S'il y a d'autres fils, leurs bouts doivent être isolés.
6. Reposer les couvercles d'extrémité du moteur et du manostat.

⚠ AVERTISSEMENT **Risque de secousses électriques.** Pouvant causer des brûlures, voire la mort. Brancher le fil de terre avant de brancher les fils de tension. Utiliser des fils de calibre spécifié (y compris le fil de terre) dans le tableau de câblage. Dans la mesure du possible, brancher la pompe sur un circuit séparé, sur lequel aucun autre appareil ne sera branché.

⚠ AVERTISSEMENT Risque d'explosion. Ne pas mettre à la terre sur une conduite de gaz.

Connexions des fils

⚠ AVERTISSEMENT **Risque d'incendie.** L'utilisation d'une mauvaise tension risque de causer un incendie ou d'endommager gravement le moteur et d'annuler la garantie. La tension d'alimentation doit correspondre à $\pm 10\%$ de la tension figurant sur la plaque signalétique du moteur.

AVIS Les moteurs bi-tension peuvent fonctionner sur le courant de 115 ou de 230 V. Au besoin, régler le moteur sur la tension désirée, comme il est indiqué. Ne pas modifier le câblage des moteurs fonctionnant sur une tension.

Installer la pompe, la mettre à la terre, la câbler et l'entretenir conformément au National Electrical Code (NEC) ou au Code canadien de l'électricité, selon le cas, et conformément à tous les codes et décrets en vigueur de la municipalité. Consulter l'inspecteur des bâtiments de la localité pour plus de renseignements sur les codes.

Méthodes de connexion :

1. Brancher tout d'abord le fil de mise à la terre, comme il est illustré à la Figure 16. Le fil de mise à la terre doit être un fil de cuivre massif d'un diamètre au moins aussi gros que le diamètre des fils de tension.
2. Il doit y avoir un raccordement en métal solide entre le manostat et le moteur pour une protection à la terre du moteur. Si le manostat n'est pas branché sur le moteur, brancher la vis verte de mise à la terre du manostat sur la vis verte de mise à la terre qui se trouve sous le couvercle du moteur. Utiliser un fil de cuivre massif ayant un diamètre au moins aussi gros que celui des fils de tension.
3. Brancher le fil de mise à la terre sur le fil de mise à la terre du tableau de distribution, sur un tuyau métallique d'eau enterré, sur le tubage d'un puits en métal ayant au moins 10 pieds (3 mètres) de long, ou sur une électrode de mise à la terre que fournira la compagnie d'électricité.
4. Brancher les fils de tension sur le manostat, comme il est illustré à la Figure 16.

Le câblage de la pompe est maintenant terminé.

Se reporter aux pages 26 et 27 pour les préparations avant le démarrage.

Tableau de câblage - Câbles et diamètres des fusibles recommandés

Puissance du moteur en ch	Tension	Charge max. en ampères	Fusible Intensité en ampères	Distance en pieds entre le moteur et le courant d'alimentation					
				0 - 50	51 - 100	101 - 200	201 - 300	301 - 400	401 - 500
				Diamètre du fil - calibre awg (mm ²)					
1/2	115/230	9.9/4.95	15/15	14/14 (2/2)	14/14 (2/2)	12/14 (3/2)	10/12 (5/3)	8/12 (7/3)	8/10 (7/5)
3/4	115/230	12.2/6.1	20/15	14/14 (2/2)	14/14 (2/2)	10/14 (5/2)	8/14 (7/2)	8/14 (7/2)	6/12 (9/3)
1	115/230	14.8/7.4	20/15	14/14 (2/2)	12/14 (3/2)	10/14(5/2)	8/12 (7/3)	8/12 (7/3)	6/12 (9/3)

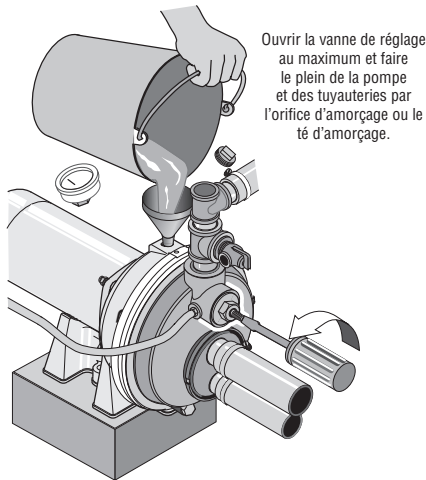


Figure 18 - Remplissage de la pompe

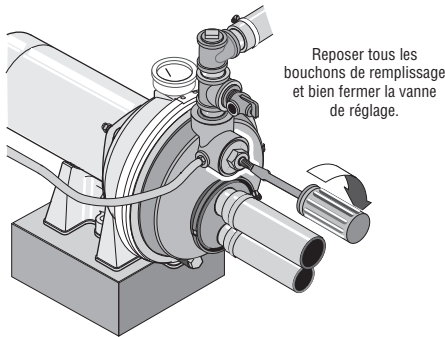


Figure 19 - Amorçage de la pompe

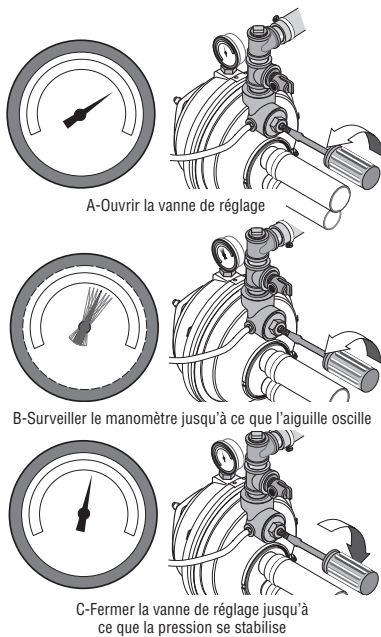


Figure 20 - Régler la vanne de réglage

⚠ ATTENTION **Risque de brûlures.** Ne jamais faire fonctionner la pompe à sec. Faire fonctionner la pompe sans eau risque de causer une surchauffe de la pompe, d'endommager les joints et, possiblement, causer des brûlures aux personnes qui manipuleront la pompe. Faire le plein d'eau de la pompe avant de la démarrer.

⚠ AVERTISSEMENT **Risque de brûlure et d'exposition.** Ne jamais faire fonctionner la pompe contre un refoulement fermé, sinon l'eau risque de bouillir à l'intérieur de la pompe, une accumulation dangereuse de pression risque de se produire, un danger d'explosion risque de s'ensuivre et les personnes qui manipuleront la pompe pourront peut-être être ébouillantées.

1. Ouvrir au maximum la vanne de réglage (voir la Figure 18), déposer le bouchon d'amorçage de la pompe, puis faire le plein de la pompe, de toutes les tuyauteries entre la pompe et le puits et s'assurer que toutes les tuyauteries du puits sont pleines d'eau. Si un té d'amorçage a été posé sur le tuyau d'aspiration, déposer le bouchon du té et faire le plein de la tuyauterie d'aspiration.
2. Reposer tous les bouchons de remplissage et fermer complètement la vanne de réglage.
3. Établir le courant! Démarrer la pompe et surveiller le manomètre. Au fur et à mesure que la pompe s'amorce, la pression doit rapidement monter jusqu'à 50 lb/po².
4. Ouvrir plusieurs robinets d'eau de l'habitation pour chasser l'air emprisonné dans les conduites. Après 2 ou 3 minutes, le manomètre doit indiquer la pression. Sinon, arrêter la pompe, déposer les bouchons de remplissage, rouvrir la vanne de réglage et refaire le plein de la pompe et des tuyauteries. Il sera peut-être nécessaire de répéter cette opération deux ou trois fois de façon à chasser tout l'air pouvant être emprisonné dans les tuyauteries. Ne pas oublier de refermer la vanne de réglage avant de redémarrer la pompe.
5. Dès que la pression est accumulée et maintenue par la pompe, ouvrir lentement la vanne de régulation. Observer la pression indiquée par l'aiguille du manomètre. Continuer de tourner la vanne de régulation jusqu'à ce qu'elle soit complètement ouverte ou jusqu'à ce que l'aiguille du manomètre commence à osciller. Dès que l'aiguille du manomètre commence à osciller, refermer lentement la vanne de régulation jusqu'à ce que l'aiguille cesse d'osciller. La pompe fonctionne maintenant à son rendement maximal.
6. Fermer tous les robinets. Après que la pression se sera accumulée dans le système et que la pompe se sera arrêtée, vérifier le fonctionnement du manocontacteur en ouvrant un ou deux robinets du système; laisser couler suffisamment d'eau pour dissiper la pression jusqu'à ce que la pompe redémarré. La pompe doit redémarrer lorsque la pression chute à 30 lb/po² et s'arrêter lorsque la pression atteint 50 lb/po². Faire fonctionner la pompe pendant un ou deux cycles complets pour confirmer son bon fonctionnement. Ceci permettra également de nettoyer le système de toute la saleté et de tout le tartre qui se seront détachés pendant l'installation.

Félicitations pour une installation réussie.

Si l'installation n'est pas réussie, se reporter à la *Diagnostic des pannes* ou appeler notre personnel technique du service à la clientèle.

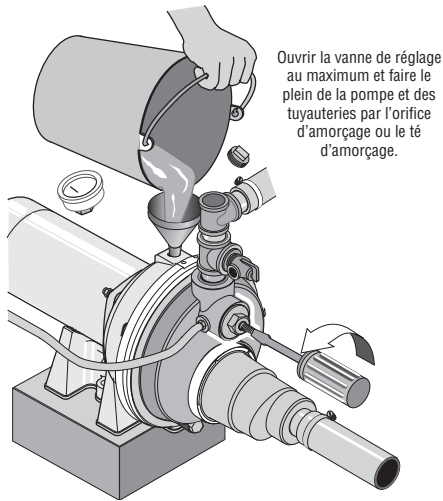


Figure 21 - Ouvrir la vanne de réglage

⚠ ATTENTION **Risque de brûlures.** Ne jamais faire fonctionner la pompe à sec. Faire fonctionner la pompe sans eau risque de causer une surchauffe de la pompe, d'endommager les joints et, possiblement, causer des brûlures aux personnes qui manipuleront la pompe. Faire le plein d'eau de la pompe avant de la démarrer.

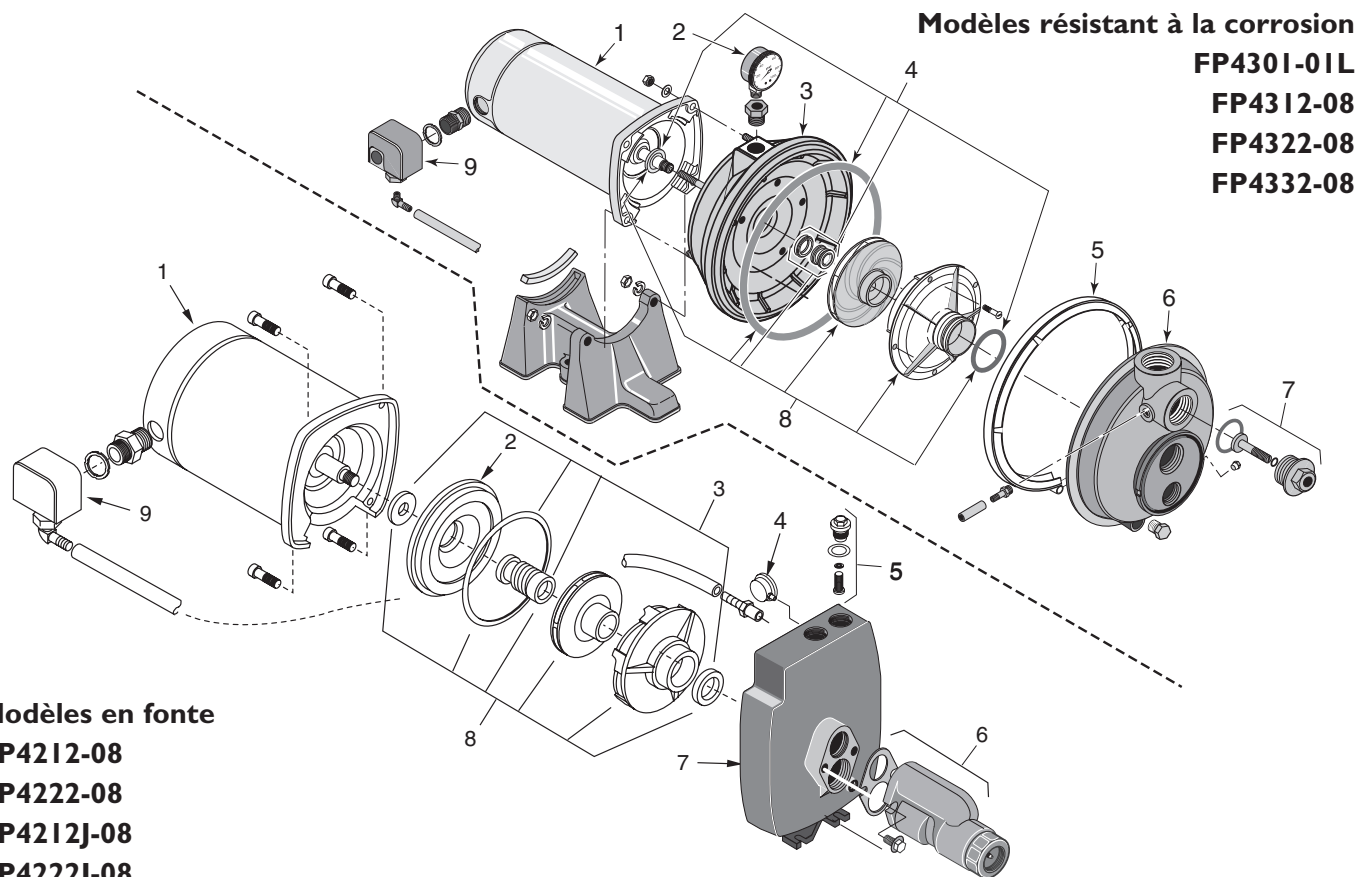
⚠ AVERTISSEMENT **Risque de brûlure et d'exposition.** Ne jamais faire fonctionner la pompe contre un refoulement fermé, sinon l'eau risque de bouillir à l'intérieur de la pompe, une accumulation dangereuse de pression risque de se produire, un danger d'explosion risque de s'ensuivre et les personnes qui manipuleront la pompe pourront peut-être être ébouillantées.

1. Ouvrir au maximum la vanne de réglage, déposer le bouchon d'amorçage de la pompe, puis faire le plein de la pompe, de toutes les tuyauteries entre la pompe et le puits et s'assurer que toutes les tuyauteries du puits sont pleines d'eau. Si un té d'amorçage a été posé sur le tuyau d'aspiration, déposer le bouchon du té et faire le plein de la tuyauterie d'aspiration.
2. Reposer tous les bouchons filetés. Laisser la vanne de réglage ouverte (dans les puits peu profonds, la vanne de réglage reste toujours ouverte).
3. Établir le contact! Démarrer la pompe. La pompe doit pomper l'eau dans les deux ou trois minutes qui suivent.
4. Si la pompe ne pompe pas d'eau dans les 2 ou 3 minutes qui suivent, l'arrêter et déposer les bouchons de remplissage. Faire le plein de la pompe et des tuyauteries. Il faudra peut-être répéter cette opération deux ou trois fois de façon à chasser tout l'air pouvant être emprisonné dans la tuyauterie. La vanne de réglage reste ouverte pendant cette opération.
5. Après que la pression se sera accumulée dans le système et que la pompe se sera arrêtée, vérifier le fonctionnement du manostat en ouvrant un ou deux robinets du système; laisser couler suffisamment d'eau pour dissiper la pression jusqu'à ce que la pompe redémarre. La pompe doit redémarrer lorsque la pression chute à 30 lb/po² et s'arrêter lorsque la pression atteint 50 lb/po². Faire fonctionner la pompe pendant un ou deux cycles complets pour confirmer son bon fonctionnement. Ceci permettra également de nettoyer le système de toute la saleté et de tout le tartre qui se seront détachés pendant l'installation.

Félicitations pour une installation réussie.

Si l'installation n'est pas réussie, se reporter à la Section *Diagnostic des pannes* ou appeler notre personnel technique du service à la clientèle.

Symptômes	Causes probables	Remèdes
Le moteur ne tourne pas	Le sectionneur est ouvert	S'assurer que le sectionneur est enclenché.
	Le fusible est sauté ou le disjoncteur est déclenché	Remplacer le fusible ou réenclencher le disjoncteur.
	L'interrupteur de démarrage est défectueux	COUPER L'ARRIVÉE DE COURANT; remplacer l'interrupteur de démarrage.
	Les fils côté moteur sont desserrés, débranchés ou mal branchés	Se reporter aux instructions sur le câblage (page 24). COUPER L'ARRIVÉE DE COURANT; vérifier tout le câblage et le resserrer. ⚠️ AVERTISSEMENT Risque de secousses électriques. Pouvant causer des brûlures, voire la mort. La tension du condensateur peut être dangereuse. Pour décharger le condensateur du moteur, tenir un tournevis à manche isolé PAR LE MANCHE et mettre en court-circuit les bornes du condensateur. Ne pas toucher la lame métallique du tournevis ni les bornes du condensateur. En cas de doute, consulter un électricien qualifié.
Le moteur chauffe et le dispositif de protection contre les surcharges se déclenche	Le moteur est mal câblé	Se reporter aux instructions concernant le câblage.
	La tension est trop faible	S'adresser à la compagnie d'électricité. Poser des câbles plus gros si le diamètre des fils est trop petit (voir Électricité/Tableau de câblage).
	La pompe fonctionne trop fréquemment.	Se reporter ci-dessous si la pompe démarre trop fréquemment.
Le moteur fonctionne mais la pompe ne débite pas d'eau * * Arrêter la pompe, puis vérifier l'amorçage avant de rechercher toute autre cause. Dévisser le bouchon d'amorçage et voir si le trou d'amorçage contient de l'eau.	Dans une installation nouvelle, la pompe ne s'est pas amorcée à cause : 1. D'un mauvais amorçage 2. De prises d'air 3. De fuites du clapet de non retour ou du clapet de pied.	Dans le cas d'une installation neuve : 1. Réamorcer la pompe conformément aux instructions. 2. Vérifier tous les raccords de la conduite d'aspiration, du régulateur de volume d'air et de l'éjecteur. 3. Remplacer le clapet de pied ou le clapet de non retour.
	La pompe s'est désamorcée : 1. À cause de prises d'air 2. Parce que le niveau d'eau est plus bas que la prise d'eau du tuyau d'aspiration.	Dans le cas d'une installation déjà en utilisation : 1. Vérifier tous les raccords de la conduite d'aspiration et le joint de l'arbre. 2. Abaisser la conduite d'aspiration dans l'eau et réamorcer la pompe. Si, dans le puits, la surface libre jusqu'à l'eau dépasse 7,60 mètres (25 pieds), utiliser une pompe pour puits profond.
	Le clapet de pied ou la crépine sont bouchés	Nettoyer le clapet de pied ou la crépine.
	L'éjecteur ou l'impulseur sont bouchés	Nettoyer l'éjecteur ou l'impulseur.
	Le clapet de non retour ou le clapet de pied sont grippés en position fermée	Remplacer le clapet de non retour ou le clapet de pied.
	Les tuyauteries sont gelées.	Dégeler les tuyauteries. Enterrer les tuyauteries sous le point de gélivation. Chauffer la fosse ou le bâtiment où se trouve la pompe.
	Le clapet de pied et/ou la trémie sont enfouis dans le sable ou la boue	Relever le clapet de pied et/ou la crépine plus haut que le fond de la source d'eau. Nettoyer le clapet de pied et la crépine.
Dans le cas d'un puits peu profond, le niveau de l'eau est trop bas pour que la pompe débite	Utiliser un éjecteur pour puits profonds si la surface libre jusqu'à l'eau dans ce puits est supérieure à 7,60 mètres (25 pieds).	
La pompe ne débite pas à pleine capacité. (Vérifier aussi les 3 points immédiatement précités)	Le niveau de l'eau du puits est plus bas que celui estimé	Une nouvelle combinaison buse et venturi est peut-être requise.
	La tuyauterie en acier (le cas échéant) est corrodée ou bouchée par la chaux, ce qui cause un frottement excessif	Dans la mesure du possible, remplacer par des tuyaux en plastique, sinon poser des tuyaux en acier neufs.
	Le diamètre des tuyaux est trop petit	Utiliser des tuyaux de plus grand diamètre.
La pompe débite mais ne s'arrête pas ou bien pelle fonctionne trop fréquemment	Le pressostat est déréglé ou bien ses contacts sont soudés ensemble	COUPER L'ARRIVÉE DE COURANT; régler le pressostat ou le remplacer.
	Les robinets du système sont restés ouverts	Les fermer.
	Le venturi, la buse ou l'impulseur sont bouchés	Nettoyer le venturi, la buse ou l'impulseur.
	Le réservoir sous pression standard est saturé d'air et n'a plus de coussin d'air	Penser à l'idée d'utiliser une pompe à éjecteur pour puits profonds. Vider le réservoir jusqu'à l'orifice du régulateur de volume d'air. Vérifier le régulateur de volume d'air à la recherche de défauts. S'assurer que les raccords n'aspirent pas d'air.
	Les tuyaux fuient	Vérifier les raccords.
	Le clapet de pied fuit	Remplacer le clapet de pied.
	Le pressostat est déréglé	Régler ou remplacer le pressostat.
La charge d'air dans le réservoir préchargé est trop basse	COUPER L'ARRIVÉE DE COURANT et ouvrir les robinets du système jusqu'à ce que toute la pression soit dissipée. À l'aide d'un manomètre pour pneus, vérifier la pression d'air dans le réservoir par la tige de la valve qui se trouve sur le réservoir. Si la pression est inférieure au réglage de fonctionnement du pressostat entre (206 et 344,7 kPa [30 et 50 lb/po2]), pomper de l'air dans le réservoir à partir d'une source extérieure jusqu'à ce que la pression d'air soit de 2 lb/po2 inférieure au réglage de déclenchement du pressostat. S'assurer que la valve ne fuit pas (l'enduire d'une solution savonneuse); remplacer l'obus de la valve au besoin.	
L'air jaillit des robinets du système	La pompe s'amorce	Lorsque la pompe sera amorcée, tout l'air sera chassé.
	Prise d'air côté aspiration de la pompe	Le tuyau d'aspiration aspire de l'air. Vérifier tous les raccords. S'assurer qu'ils sont bien serrés.
	Le puits est gazeux	S'adresser à l'usine pour la possibilité d'installer un manchon dans le puits.
	Surpompage intermittent du puits. (L'eau est pompée plus bas que le clapet de pied.)	Dans la mesure du possible, abaisser le clapet de pied. Sinon, limiter le refoulement de la pompe.



Modèles en fonte

- FP4212-08**
- FP4222-08**
- FP4212J-08**
- FP4222J-08**

Réf.	Désignation des pièces	Modèle et puissance en ch		
		FP4312-08 1/2HP	FP4322-08 3/4HP	FP4332-08 1 HP
1	Moteur	J218-582A-115PKG	A100DL	A100EL
2	Manomètre	TC2104	TC2104	TC2104
3	Corps de la pompe (moitié arrière)	L176-47P	L176-47P	L176-47P
4	Nécessaire de joints et de bagues d'étanchéité*	FPP1500	FPP1500	FPP1500
5	Collier de serrage en V	C19-54SS	C19-54SS	C19-54SS
6	Corps de la pompe (moitié avant)	L76-37P	L76-37P	L76-37P
7	Vanne de régulation	L162-10PS	L162-10PS	L162-10PS
8	Nécessaire de révision**	FPP1511	FPP1512	FPP1513
9	Pressostat	TC2151	TC2151	TC2151

Réf.	Désignation des pièces	Modèle et puissance en ch	
		FP4212-08 FP4212J-08# 1/2 ch	FP4222-08 FP4222J-08 3/4 ch
1	Moteur - 60 cycles	J218-582A-115PKG	A100DL
2	Plaque d'étanchéité	N3-1043P	N3-1043P
3	Nécessaire de joints et de bagues d'étanchéité*	FPP1550	FPP1550
4	Manomètre	TC2104	TC2104
5	Vanne de régulation	01322	01322
6	Paquet d'éjecteurs***	J198-22	J198-22
7	Corps de la pompe	L76-44	L76-44
8	Nécessaire de révision**	FPP1560	FPP1561
9	Manocontacteur	TC2151	TC2151

* Comprend : Le déflecteur d'eau, le joint ou le joint torique de la plaque d'étanchéité, le joint d'arbre, le patin du diffuseur et le ou les joints toriques du diffuseur.

** Comprend : Le nécessaire de joints et de bagues d'étanchéité, plus la garniture de la plaque d'étanchéité, l'impulseur et le diffuseur.

*** FP4212J et FP4222J seulement. Pour les numéros de pièce des composants; se reporter à la page suivante.

Livrés avec les modèles FP4212J15H-04 et FP4212J42-04.

Les instructions de réparation sont incluses avec tous les nécessaires de réparation.

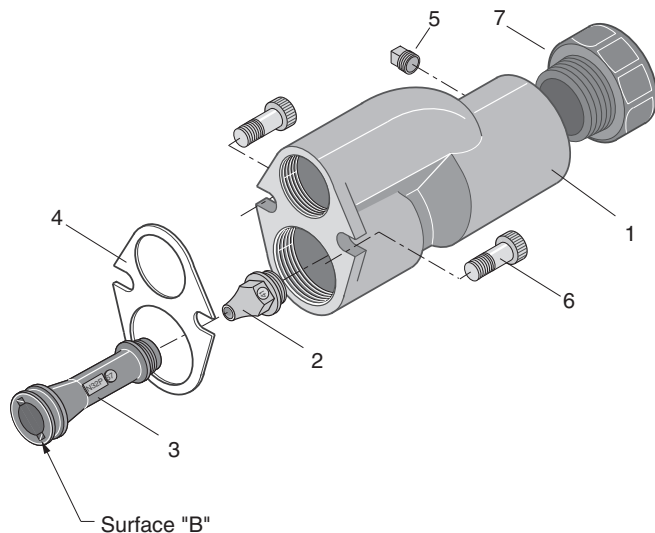
Pour les services des pièces ou d'assistance, appeler le service à la clientèle Flotec en composant le (800) 365-6832.

Un ensemble d'éjecteur est livrable pour les puits peu profonds ou profonds. La Notice d'utilisation de la pompe décrit les conditions qui définissent le fonctionnement dans un puits peu profond ou profond.

Lire attentivement cette Notice afin de déterminer les conditions de pompage. Il est à noter que le gicleur est déjà installé dans le corps de l'injecteur et qu'il fonctionne aussi bien avec des venturis pour puits peu profonds que profonds.

Installation dans un puits peu profond

Trousse pour puits peu profond - Trousse FP4855, pompes de la série 4200

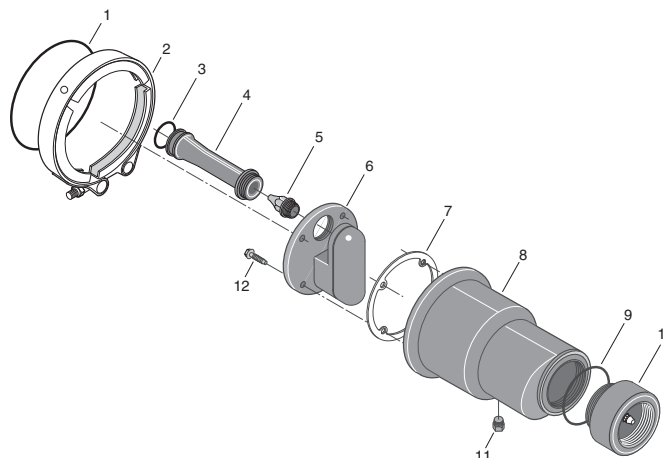


AVIS Faire bien attention de ne pas endommager la surface d'étanchéité (repéré « Surface B » dans le schéma ci-dessus), sinon il risquera d'y avoir des fuites internes.

Réf.	Désignation	Numéro des pièces
1	Corps de l'éjecteur	N40-92
2	Gicleur (n° 51)	J34P-41
3	Venturi, puits peu profond	N32P-66B*
4	Joint	N20-25
5	Bouchon fileté	U78-56ZPS
6	Vis à tête creuse (2)	U30-961PS
7	Clapet de non retour	N212-12P

* Un venturi N32P-67B pour puits peu profond est utilisé sur les pompes de 3/4 CV

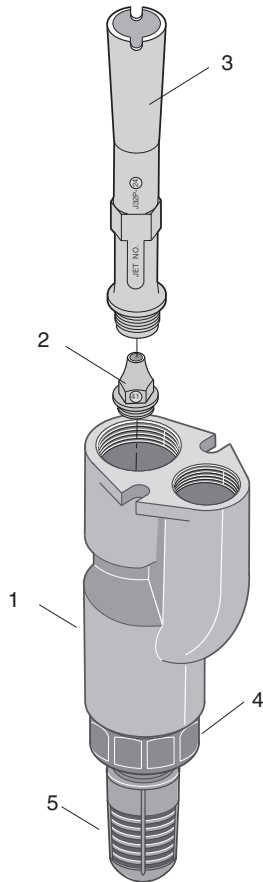
Trousse pour puits peu profond - Trousse FP4875, pompes de la série 4300



Réf.	Désignation	Numéro des pièces
1	Joint torique, corps de l'éjecteur	U9-202
2	Collier	J19-6
3	Joint torique, venturi	U9-201
4	Venturi, 3/4 CV	N32P-63
	Venturi, 1 CV	N32P-64
	Venturi, 1/2 CV	N32P-72
5	Gicleur (n° 51), 1/2 et 3/4 CV	J34P-41
	Gicleur (n° 54), 1 CV	J34P-44
6	Pièce intérieure, corps de l'éjecteur	N40-39P
7	Joint	J20-18
8	Corps de l'éjecteur	N40-38P
9	Joint torique, clapet de non retour	U9-226
10	Clapet de non retour - complet	N166-5P
11	Bouchon fileté de 1/8 po NPT - tête carrée	WC78-41T
12	Vis n° 10 - 16 x 1 1/8 po long (4)	U30-742SS

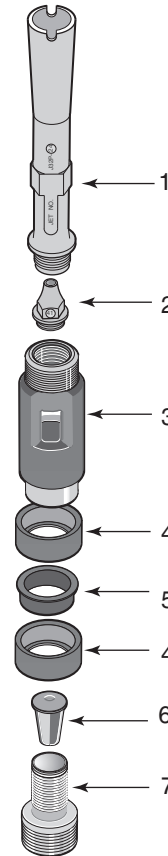
Installation dans un puits profond

**Trousse pour tuyaux jumelés de 4 po -
Trousse FP4800, pompes des séries
4200 et 4300**



Réf.	Désignation	Numéro des pièces
1	Corps de l'éjecteur	N40-92
2	Gicleur (n° 51)	J34P-41
	Gicleur (n° 52)	J34P-42
3	Venturi [<120' (36.6 m)]	J32P-24
	Venturi [>110' (33.6 m)]	J32P-18
4	Clapet de non retour	N212-12P
5	Crépine	L8-1P

**Trousse pour tuyaux simples de 2 po -
Trousse FP4840, pompes des séries
4200 et 4300**



Réf.	Désignation	Numéro des pièces
1	Venturi [<120' (36.6 m)]	J32P-24
	Venturi [>110' (33.6 m)]	J32P-18
2	Gicleur (n° 52)	J34P-42
	Gicleur (n° 54)	J34P-44
3	Corps de l'éjecteur	J40-24
4	Coupelle en cuir (2)	J57-1
5	Entretoise	J43-14P
6	Clapet de non retour	P122-10B
7	Siège de clapet	J66-13
*	Adaptateur de tubage	J216-44
*	Raccords décollés 1 1/4 NPT (5)	U11-1

• Pièces non illustrées.

Instrucciones importantes de seguridad

Guarde estas instrucciones - Este manual contiene instrucciones importantes que se deben seguir durante la instalación y el mantenimiento del bombas de sumidero.

⚠ Este es un símbolo de alerta sobre la seguridad. Cuando vea este símbolo en su bomba o en este manual, busque para ver si hay alguna de las siguientes palabras de señal y esté alerta a la posibilidad de lesiones personales.

⚠ PELIGRO indica un riesgo que, de no evitarse, *provocará* la muerte o lesiones de gravedad.

⚠ ADVERTENCIA indica un riesgo que, de no evitarse, *podría provocar* la muerte o lesiones de gravedad.

⚠ PRECAUCIÓN indica un riesgo que, de no evitarse, *podría provocar* lesiones leves o moderadas.

AVISO hace referencia a una práctica no relacionada con una lesión física.

Lea y siga cuidadosamente todas las instrucciones de seguridad en este manual y en la bomba.

Mantenga las etiquetas de seguridad en buenas condiciones. Reemplace las etiquetas de seguridad faltantes o dañadas.

Advertencia de la Proposición 65 de California

⚠ ADVERTENCIA Este producto y accesorios relacionados contienen sustancias químicas reconocidas en el Estado de California como causantes de cáncer, malformaciones congénitas y otros daños al sistema reproductivo.

Seguridad eléctrica

⚠ ADVERTENCIA **Riesgo de choque eléctrico.** Puede provocar choque, quemadura o muerte. El voltaje del capacitor puede ser peligroso. Para descargar el capacitor del motor, tome un desatornillador con mango aislado POR EL MANGO y ponga en corto las terminales del capacitor. No toque la superficie de metal del desatornillador ni las terminales del capacitor. Si tiene alguna duda, consulte a un electricista calificado.

Seguridad general

⚠ PRECAUCIÓN **Riesgos de quemaduras.** No toque un motor en operación. Los motores están diseñados para operar a temperaturas altas. Para evitar quemaduras al realizar el servicio a una bomba, déjela enfriar por 20 minutos después de apagarla.

No permita que la bomba o cualquier componente del sistema se congele. Hacerlo invalidará la garantía.

Utilice esta bomba sólo para agua.

Inspeccione la bomba y los componentes del sistema periódicamente.

Utilice gafas de seguridad durante todo el tiempo mientras trabaje en la bomba.

El área de trabajo se debe mantener limpia, ordenada y con iluminación adecuada; guarde las herramientas y el equipo que no utilice en el lugar apropiado.

Mantenga a los visitantes a una distancia segura de las áreas de trabajo.

⚠ ADVERTENCIA **Riesgo de explosión.** No haga la conexión a tierra en una línea de suministro de gas. El cuerpo de la bomba puede explotar si se utiliza como una bomba propulsora a menos que se instale una válvula de alivio que sea capaz de pasar todo el flujo de la bomba a 75 psi.

⚠ ADVERTENCIA




Voltaje peligroso. Puede ocasionar conmoción, quemaduras e incluso la muerte.

Conecte la bomba a tierra antes de conectarla a la alimentación eléctrica. Desconecte la alimentación de energía antes de trabajar en la bomba, el motor o el tanque.

- ⚠** Conecte el motor al voltaje correcto. Vea la sección "Electricidad" en este manual y la placa del motor.
- ⚠** Conecte el motor a tierra antes de conectarlo a la alimentación de energía.
- ⚠** Cumpla con las indicaciones del Código Nacional Eléctrico, el de Canadá y los códigos locales para toda la conexión eléctrica.
- ⚠** Siga las instrucciones de conexión eléctrica en este manual al conectar el motor a las líneas de energía eléctrica.

⚠ ADVERTENCIA



Presión peligrosa! Instale una válvula de alivio de presión en la tubería de descarga.

Libere toda la presión en el sistema antes de trabajar en alguno de los componentes.

Retener el recibo original a fin de determinar la elegibilidad para la garantía

Garantía limitada

Esta Garantía Limitada entra en vigor el 1 de junio de 2011 y sustituye toda garantía sin fecha o garantía con fecha anterior al 1 de junio de 2011. FLOTEC le garantiza al comprador consumidor original (el "Comprador" o "Usted") de sus productos, que éstos estarán libres de defectos en materiales y en mano de obra por un período de doce (12) meses, a partir de la fecha de la compra original del consumidor. Si dentro de los doce (12) meses a partir de la fecha de la compra inicial del consumidor, Será reparado o reemplazado a opción de la FLOTEC, sujeto a los términos y condiciones establecidos en la presente. Tome nota de que esta garantía limitada cubre defectos de manufactura solamente y no el desgaste común. Todos los aparatos mecánicos periódicamente necesitan repuestos y servicio para un funcionamiento correcto. Esta garantía limitada no cubre las reparaciones que se realicen cuando el uso normal haya agotado la vida útil de una pieza o del aparato.

Es necesario retener el recibo de compra original y la etiqueta de información de la garantía a fin de determinar la elegibilidad para la garantía. La elegibilidad se basa en la fecha de compra del producto original - no en la fecha del reemplazo bajo la garantía. La garantía es limitada y cubre solamente la reparación o el reemplazo del producto original adquirido, no del producto reemplazado (es decir que se permite un reemplazo por compra bajo la garantía). El comprador pagará todos los costos de remoción, instalación, mano de obra y envío necesarios, así como todo costo adicional asociado.

Si necesita piezas o resolución de problemas, NO regrese el producto a la tienda minorista. Llame el Servicio a la Clientela de FLOTEC al 800-365-6832.

Las reclamaciones hechas bajo esta garantía se realizarán mediante la devolución del producto (a excepción de las bombas cloacales - ver a continuación) al concesionario de venta al público en donde se haya adquirido o a la fábrica, inmediatamente después de haber descubierto cualquier presunto defecto. FLOTEC entonces tomará la medida correctiva tan pronto como sea razonablemente posible. No se aceptarán solicitudes de servicio, si se reciben más de 30 días después del vencimiento de esta garantía.

La garantía no es transferible y no cubre productos utilizados en aplicaciones comerciales o de alquiler.

Bombas cloacales

NO devuelva una bomba cloacal (que se haya instalado) a su tienda minorista. Comuníquese con el Departamento de Atención al Cliente de FLOTEC. Las bombas cloacales que hayan estado en servicio y se hayan removido pueden representar un peligro de contaminación.

Si su bomba cloacal ha fallado:

- Use guantes de caucho cuando manipule la bomba;
- Para los fines de la garantía, devuelva la etiqueta del cordón de la bomba y el recibo de compra original a la tienda minorista;
- Descarte la bomba cumpliendo con todas las normas locales que correspondan para su eliminación.

Excepciones para la Garantía limitada de Doce (12) Meses

Producto	Período de garantía
FP0F360AC, FP0FDC	90 días
FP0S1775A, FP0S1790PCA, FP0S2400A, FP0S2450A, FP0S4100X, FP2800DCC, FPCP-20ULST, FPPSS3000, FPSC2150A, FPSC3150A, FPSC3350A	2 años
Bombas de pozo sumergibles de 4", FP0S3200A, FP0S3250A, FP0S6000A, FPSC1725X, FPSC2200A, FPSC2250A, FPSE3601A, FPPSS5000	3 años
Tanque precargado del sistema de agua (Serie FP7100), E100ELT, E3305TLT, E3375TLT, E5005TLTT, E50TLT, E50VLT, E75STVT, E75VLT, FPSC3200A, FPSC3250A, FPSC4550A	5 años

Términos y condiciones generales; Limitación de recursos

Usted deberá pagar por todos los gastos de mano de obra y de envío necesarios para reemplazar el producto cubierto por esta garantía. Esta garantía no se aplicará en las siguientes situaciones: (1) caso de fuerza mayor (2) productos que, a sólo juicio de FLOTEC hayan sido sometidos a negligencia, abuso, accidente, mala aplicación, manejo indebido o alteraciones; (3) fallas debido a instalación, operación, mantenimiento o almacenamiento inadecuados; (4) aplicaciones, usos o servicios que no sean normales o aprobados; (5) fallas provocadas por corrosión, herrumbre u otros materiales extraños en el sistema, o una operación a presiones que excedan los máximos recomendados.

Esta garantía establece la única obligación de FLOTEC y el recurso exclusivo del Comprador con respecto a los productos defectuosos. FLOTEC NO SE HARÁ RESPONSABLE DE NINGÚN DAÑO—O CONSECUENTE, INCIDENTAL O CONTINGENTE.

LAS GARANTÍAS LIMITADAS QUE ANTECEDEN SON EXCLUSIVAS Y EN LUGAR DE TODA OTRA GARANTÍA EXPLÍCITA E IMPLÍCITA, INCLUYENDO, PERO SIN LIMITARSE A LAS GARANTÍAS IMPLÍCITAS DE COMERCIABILIDAD E IDONEIDAD PARA UN FIN ESPECÍFICO. LAS GARANTÍAS LIMITADAS QUE ANTECEDEN NO SE EXTENDERÁN MÁS ALLÁ DEL PERÍODO DE DURACIÓN INDICADO EN LA PRESENTE.

Algunos Estados no permiten la exclusión o limitación de daños incidentales o consecuentes o de limitaciones de tiempo sobre garantías implícitas, de modo que es posible que las limitaciones o exclusiones que preceden no correspondan en su caso. Esta garantía le otorga derechos legales específicos y es posible que Usted también tenga otros derechos que pueden variar de un Estado al otro.

FLOTEC • 293 Wright Street • Delavan, WI 53115 U.S.A.
Teléfono: 800-365-6832 • Fax: 800-526-3757 • www.flotecwater.com

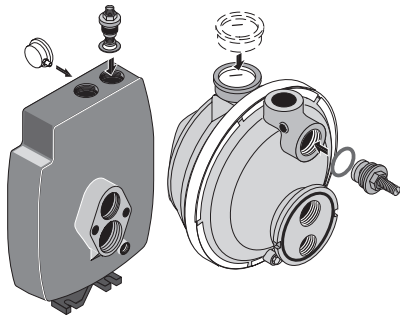


Figura 1 - Instale la Válvula de Control y el Medidor de Presión

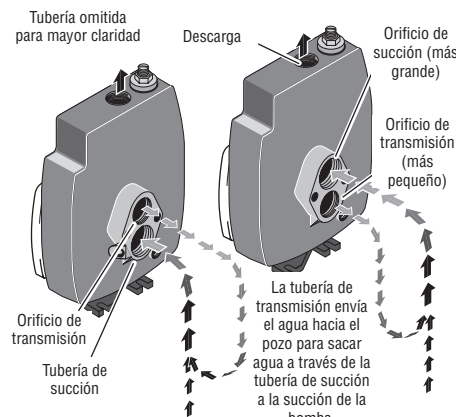


Figura 2 - Funciones de Succión y Transmisión

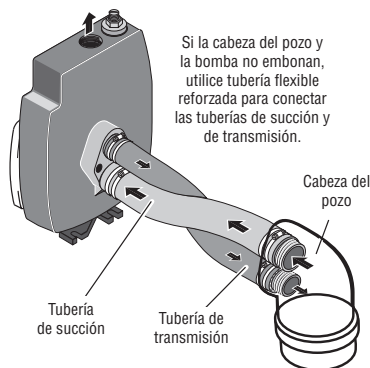


Figura 3 - Conexiones Invertidas hacia el Pozo

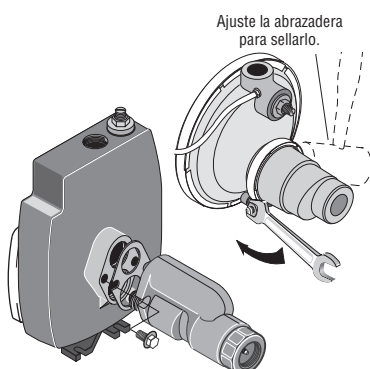


Figura 4 - Monte el Eyector - Pozo Poco Profundo

Pozo profundo

⚠ ADVERTENCIA Riesgo de choque eléctrico. Puede provocar choque, quemadura o muerte. Puede provocar choque, quemadura o muerte. Desconecte la alimentación de energía de la bomba antes de trabajar en ella o en el motor.

1. Drene y retire la bomba vieja. Revise las condiciones de la tubería, que no tenga óxido, sarro, etc. y reemplácela si es necesario.
2. Instale la válvula de control y el medidor de presión en el cuerpo de la bomba.
3. Si su bomba vieja tiene la tubería de succión (el orificio más grande - vea la Figura 2) debajo del orificio de transmisión, será necesario que instale tubo flexible entre la cabeza del pozo y la bomba para que la conexión sea correcta.

AVISO Es posible que el eyector viejo (en el pozo) no esté conectado adecuadamente a su nueva bomba. Si la bomba no funciona adecuadamente, le recomendamos instalar el kit de eyector Flotec FP4800.

4. Instale la bomba en el sistema. Asegúrese que todas las conexiones de la tubería de succión estén herméticamente cerradas y sean a prueba de agua. Si la tubería de succión puede succionar aire, la bomba no podrá sacar agua del pozo.
5. Ajuste la altura del montaje de la bomba para que las conexiones de la tubería no ejerzan una tensión sobre el cuerpo de la bomba. Ponga soportes a la tubería para que el cuerpo de la bomba no soporte el peso de la tubería o de las conexiones.

Usted acaba de realizar la conexión de tubería para su nueva bomba de chorro para pozo profundo. Por favor pase a la página 38 para realizar las conexiones del tanque y de la tubería de descarga.

Pozo poco profundo

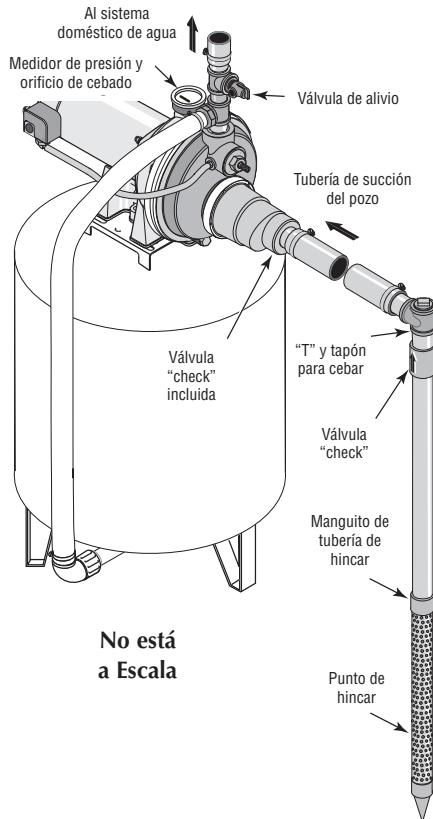
⚠ ADVERTENCIA Riesgo de choque eléctrico. Puede provocar choque, quemadura o muerte. Puede provocar choque, quemadura o muerte. Desconecte la alimentación de energía de la bomba antes de trabajar en ella o en el motor.

1. Drene y retire la bomba vieja. Revise las condiciones de la tubería, que no tenga óxido, sarro, etc. y reemplácela si es necesario.
2. Instale la válvula de control y el medidor de presión en el cuerpo de la bomba.
3. Instale el kit de eyector FP4855 con una bomba de la Serie 4200 o el kit FP4875 con una bomba de la Serie 4300 (los kits se venden por separado). Siga las instrucciones que vienen incluidas en el kit. Asegúrese de alinear el venturi con el orificio superior en la parte frontal de la bomba.

AVISO Siempre reemplace el eyector al reemplazar la bomba en una instalación para pozo poco profundo.

4. Instale la bomba en el sistema. Asegúrese que todas las conexiones de la tubería de succión estén herméticamente cerradas y sean a prueba de agua. Si la tubería de succión puede succionar aire, la bomba no podrá sacar agua del pozo.
5. Ajuste la altura del montaje de la bomba para que las conexiones de la tubería no ejerzan una tensión sobre el cuerpo de la bomba. Ponga soportes a la tubería para que el cuerpo de la bomba no soporte el peso de la tubería o de las conexiones.

Usted acaba de realizar la conexión de tubería para su nueva bomba de chorro para pozo profundo. Por favor pase a la página 38 para realizar las conexiones del tanque y de la tubería de descarga.

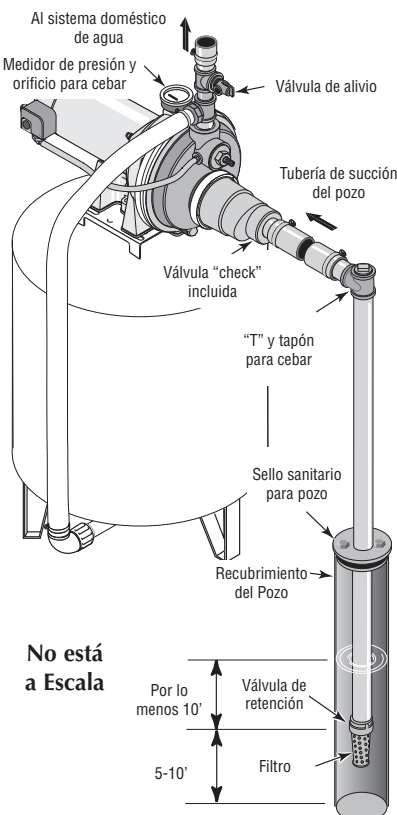


Instalación del punto de pozo

1. Instale la válvula de control y el medidor de presión en el cuerpo de la bomba.
2. Instale el kit de eyector FP4855 con la bomba de la Serie 4200 o el kit FP4875 con la bomba de la Serie 4300 (los kits se venden por separado). Siga las instrucciones que vienen incluidas en el kit. Asegúrese de alinear el venturi con el orificio superior en la parte frontal de la bomba.
3. Hínque el pozo utilizando "manguitos de tubería de hincar" y una "caperuza para la hincadora". Las "conexiones para perforar" están roscadas a todo lo largo y permiten que los extremos de la tubería empalmen para que la fuerza de perforación del mazo sea soportada por la tubería y no por el enroscado. Las conexiones ordinarias que se encuentran en las tuberías no están roscadas a todo lo largo y se pueden colapsar por el impacto. Las "conexiones de hincado" también son más suaves que las conexiones de plomería comunes y esto facilita la penetración en el suelo.
4. Monte la bomba tan cerca del pozo como sea posible.
5. Utilice el menor número de conexiones posible (especialmente codos) al conectar la tubería desde el punto del pozo al orificio de succión de la bomba. La tubería de succión debe ser por lo menos del mismo tamaño que el orificio de succión en la bomba (incluya una válvula "check" - Vea la Figura 5). Soporte la tubería para que no haya inclinaciones verticales o hundimientos en ella a fin de que no ejerza tensión sobre el cuerpo de la bomba y con el propósito de que no se incline ligeramente hacia arriba desde el pozo hacia la bomba (los puntos altos pueden ocasionar que se formen bolsas de aire que pueden bloquear la bomba). Utilice cinta sellante de PTFE para roscas de tubería o un compuesto a base de PTFE especial para juntas de tuberías de las juntas roscadas de la tubería o compuesto para unir tuberías autorizado para utilizarse en PVC. Las juntas deben ser a prueba de agua y estar herméticamente cerradas. Si la tubería de succión pudiera succionar aire, la bomba no podría sacar agua del pozo. Si un punto de pozo no proporciona suficiente agua, considere la posibilidad de conectar dos o tres puntos de pozo a una tubería de succión.

Figura 5 - Instalación del Punto de Hincado

Usted acaba de realizar la conexión de tubería de succión para su nueva bomba de chorro para pozo profundo. Por favor pase a la página 38 para realizar las conexiones del tanque y de la tubería de descarga.



Instalación de pozo recubierto con un recubrimiento de 2" o más

1. Instale la válvula de control y el medidor de presión en el cuerpo de la bomba.
2. Instale el kit de eyector FP4855 con la bomba de la Serie 4200 o el kit FP4875 con la bomba de la Serie 4300 (los kits se venden por separado). Siga las instrucciones que vienen incluidas en el kit. Asegúrese de alinear el venturi con el orificio superior en la parte frontal de la bomba.
3. Monte la bomba tan cerca del pozo como sea posible.
4. Instale la válvula de retención, el filtro y la tubería del pozo. Asegúrese que la válvula de retención funcione libremente.
5. Baje la tubería hacia el pozo hasta que el filtro se encuentre a cinco pies sobre el fondo del pozo. También debe estar a por lo menos 10 pies debajo del nivel de agua del pozo cuando la bomba esté funcionando a fin de evitar que la bomba succione aire. Instale un sello sanitario para pozo.
6. Instale una "T" para cebado, tapón para cebado y la tubería de succión a la bomba. Conecte la tubería del pozo al orificio de succión de la bomba; utilice el menor número de conexiones posible - especialmente codos - ya que las conexiones incrementan la fricción en la tubería. La tubería de succión debe ser por lo menos del mismo tamaño que el orificio de succión en la bomba. Soporte la tubería para que no haya inclinaciones verticales o hundimientos en ella a fin de que no ejerza tensión sobre el cuerpo de la bomba y con el propósito de que no se incline

Figura 6 - Instalación de Pozo Recubierto

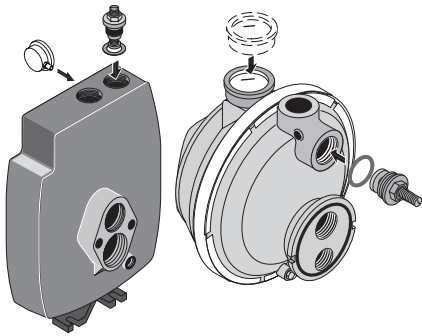


Figura 7 - Instale la Válvula de Control y el Medidor de Presión

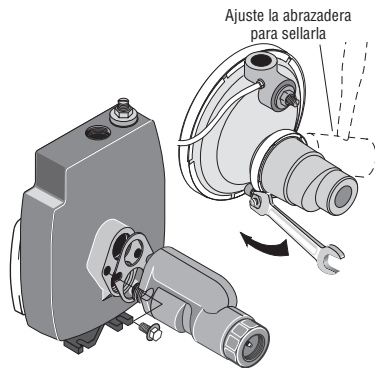


Figura 8 - Instale el Eyector

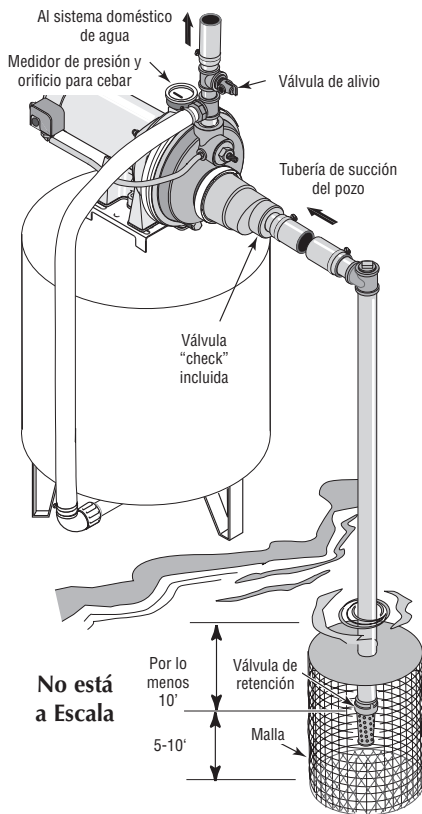


Figura 9 - Instalación para Agua Superficial

ligeramente hacia arriba desde el pozo hacia la bomba (los puntos altos pueden ocasionar que se formen bolsas de aire que pueden bloquear la bomba). Selle las juntas de la tubería de succión con cinta sellante de PTFE para roscas de tubería o con un compuesto a base de PTFE especial para las juntas de las tuberías. Las juntas deben ser a prueba de agua y estar herméticamente cerradas. Si la tubería de succión pudiera succionar aire, la bomba no podrá sacar agua del pozo.

Usted acaba de realizar la conexión de tubería de succión para su nueva bomba de chorro para pozo poco profundo. Por favor pase a la página 38 para realizar las conexiones del tanque y de la tubería de descarga.

Instalación para agua superficial

1. Instale la válvula de control y el medidor de presión en el cuerpo de la bomba.
2. Instale el kit de eyector FP4855 con la bomba de la Serie 4200 o el kit FP4875 con la bomba de la Serie 4300 (los kits se venden por separado). Siga las instrucciones que vienen incluidas en el kit. Asegúrese de alinear el venturi con el orificio superior en la parte frontal de la bomba.
3. La bomba se debe instalar tan cerca del agua como sea posible, con el menor número posible de conexiones (especialmente codos) en la tubería de succión. La tubería de succión debe ser por lo menos del mismo tamaño que el orificio de succión en la bomba.
4. Instale una válvula de retención y la tubería de succión (vea la Figura 9). Asegúrese que la válvula de retención funcione libremente. Utilice cinta sellante de PTFE para roscas de tubería o un compuesto a base de PTFE especial para juntas de tuberías den las juntas roscadas de la tubería especial para juntas de tuberías en las juntas roscadas de la tubería. Proteja la conexión de la válvula de retención de peces, basura, etc. con la instalación de una malla de alambre a su alrededor.
5. Baje la tubería hacia el agua hasta que el filtro se encuentre a cinco pies sobre el fondo. También debe estar a por lo menos 10 pies debajo del nivel de agua a fin de evitar que la bomba succione aire.
6. Instale una "T" para cebar, tapón para cebar y la tubería de succión a la bomba. Soporte la tubería para que no haya inclinaciones verticales o hundimientos en ella a fin de que no ejerza tensión sobre el cuerpo de la bomba y con el propósito de que no se incline ligeramente hacia arriba desde el pozo hacia la bomba (los puntos altos pueden ocasionar que se formen bolsas de aire que pueden bloquear la bomba). Selle las juntas de la tubería de succión con cinta sellante de PTFE para roscas de tubería o con un compuesto a base de PTFE especial para las juntas de las tuberías. Las juntas deben ser a prueba de agua y estar herméticamente cerradas. Si la tubería de succión pudiera succionar aire, la bomba no podría sacar agua del pozo.

Usted acaba de realizar la conexión de tubería de succión para su nueva bomba de chorro para pozo poco profundo. Por favor pase a la página 38 para realizar las conexiones del tanque y de la tubería de descarga.

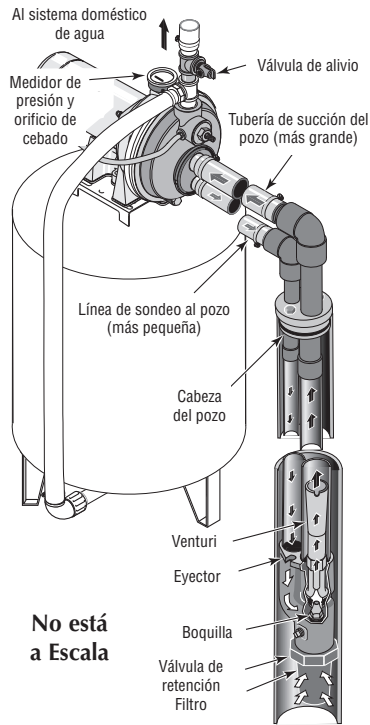


Figura 10 - Pozos Profundos de 4" y Más Grandes

Pozo de 4" ó mas

1. Instale la válvula de control y el medidor de presión en el cuerpo de la bomba. Vea la Figura 7.
2. Instale el kit de eyector FP4800 (**se vende por separado**). Vea la Figura 10. Siga las instrucciones que vienen incluidas en el kit para ajustar la boquilla y el venturi a las condiciones de su pozo.
3. Monte la bomba tan cerca del pozo como sea posible.
4. Conecte las dos tuberías (1" la de sondeo, 1-1/4" la de succión) al eyector y baje el eyector hacia el pozo hasta que el filtro se encuentre a cinco pies del fondo. También debe estar a por lo menos 10 pies debajo del nivel de agua del pozo cuando la bomba esté funcionando a fin de evitar que la bomba succione aire.
5. Instale un sello sanitario para pozo y conecte la tubería del eyector a la bomba. Utilice boquillas de acero a través del sello del pozo con tubería flexible de polietileno para evitar aplastar la tubería de plástico al ajustar el sello.
6. Soporte la tubería para que no haya inclinaciones verticales o hundimientos en ella a fin de que no ejerza tensión sobre el cuerpo de la bomba y con el propósito de que no se incline ligeramente hacia arriba desde el pozo hacia la bomba (los puntos altos pueden ocasionar que se formen bolsas de aire que pueden bloquear la bomba). Selle las juntas de la tubería de succión con cinta sellante de PTFE para roscas de tubería o con un compuesto a base de PTFE especial para las juntas de las tuberías. Las juntas deben ser a prueba de agua y estar herméticamente cerradas. Si la tubería de succión pudiera succionar aire, la bomba no podrá sacar agua del pozo.

Usted acaba de realizar la conexión de tubería de succión para su nueva bomba de chorro de doble tubería para pozo profundo. Por favor pase a la página 38 para realizar las conexiones del tanque y de la tubería de descarga.

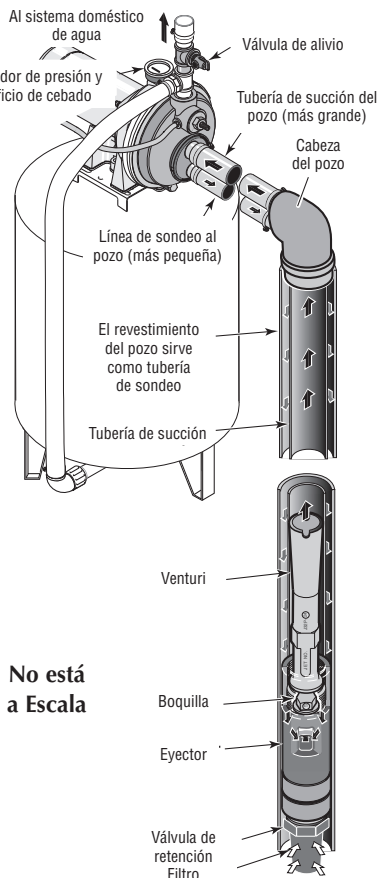


Figura 11 - 2 pulgada (Tubo Sencillo) Pozo Profundo

Pozo de 2"

1. Instale la válvula de control y el medidor de presión en el cuerpo de la bomba.
2. Monte la bomba tan cerca del pozo como sea posible.
3. Instale el kit de eyector FP4800 (**se vende por separado**), la tubería del pozo y el adaptador de cabeza del pozo de acuerdo con las instrucciones que vienen incluidas en el paquete del eyector. Utilice tubo galvanizado de caída con juntas invertidas para lograr un flujo adecuado. Siga las instrucciones incluidas en el kit para ajustar la boquilla y el venturi a las condiciones de su pozo.
4. Conecte las dos tuberías (una tubería de sondeo más pequeña y una más grande de succión) del pozo a la bomba. Soporte la tubería para que no haya inclinaciones verticales o hundimientos en ella a fin de que no ejerza tensión sobre el cuerpo de la bomba y con el propósito de que no se incline ligeramente hacia arriba desde el pozo hacia la bomba (los puntos altos pueden ocasionar que se formen bolsas de aire que pueden bloquear la bomba). Selle las juntas de la tubería de succión con cinta sellante de PTFE para roscas de tubería o con un compuesto a base de PTFE especial para las juntas de las tuberías. Las juntas deben ser a prueba de agua y estar herméticamente cerradas. Si la tubería de succión pudiera succionar aire, la bomba no podría sacar agua del pozo.

Usted acaba de realizar la conexión de tubería de succión para su nueva bomba de chorro de tubería sencilla para pozo profundo. Por favor pase a la Página 38 para realizar las conexiones del tanque y de la tubería de descarga.

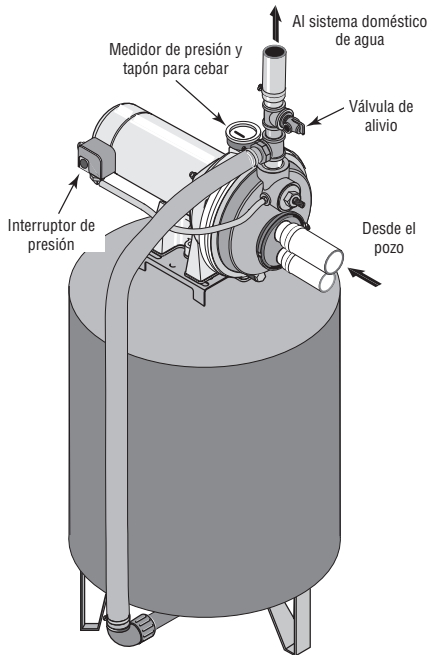


Figura 12 - Conexiones del Tanque Pre-cargado

Conexión de tanque de pre-carga

1. Instale una boquilla de cierre y una "T" en el orificio de descarga de la bomba (vea la Figura 12). La tubería debe ser al menos del mismo tamaño que el orificio de descarga. Instale una tubería o una manguera reforzada desde un brazo de la "T" al orificio en el tanque de pre-carga.
2. Instale una segunda boquilla de cierre y una "T" con una válvula de alivio en la "T".
3. Conecte el otro extremo de la segunda "T" de descarga a su sistema de plomería.
4. Verifique la pre-carga de aire en el tanque con un medidor de aire para neumáticos. La pre-carga debe ser 2 PSI menos que el ajuste de cierre del interruptor de presión de la bomba. La pre-carga se mide cuando no haya presión de agua en el tanque. Su nueva bomba tiene un interruptor de 30/50 PSI; ajuste la presión de pre-carga del tanque a 28 PSI.

Usted acaba de realizar la conexión del tanque para su bomba de chorro. Por favor pase a las páginas 39 y 40 sobre la conexión eléctrica.

Conexión para tanque estándar

1. Instale una boquilla de cierre y una "T" en el orificio de descarga de la bomba. Instale una válvula de alivio en un brazo de la "T".
2. Instale una segunda boquilla de cierre y una "T" en el brazo libre de la primera "T". Coloque un tapón para cebar en un brazo de la segunda "T".
3. Instale una tubería desde el brazo abierto de la segunda "T" al orificio de entrada de su tanque. La tubería debe ser al menos del mismo tamaño que el orificio de descarga de la bomba.
4. Retire el tapón de la tubería de 1/8" de NPT del orificio del Control de Volumen de Aire (CVA) de la bomba. Instale una tubería desde el orificio de CVA de la bomba hacia el orificio en el CVA montado en el tanque. Vea mayores detalles en las instrucciones incluidas con el tanque y en el CVA.

Usted acaba de realizar la conexión del tanque para su bomba de chorro. Por favor pase a las páginas 39 y 40 sobre la conexión eléctrica.

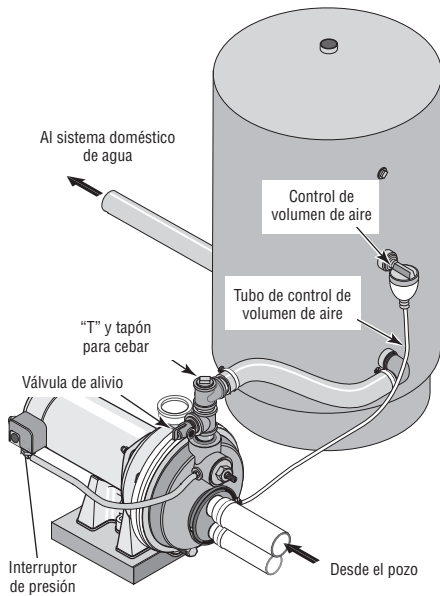


Figura 13 - Conexiones para Tanque Estándar

Sellado de Juntas de Tubería

Utilice solamente sellante de PTFE para roscas de tubería a base de PTFE para todas las conexiones de rosca a la bomba. **No use compuestos de burlete para tuberías en bombas de plástico:** estos pueden reaccionar con los componentes de plástico de la bomba. Asegúrese de que todos los burletes en la tuberías de aspiración sean impermeables y herméticos. *Si la tubería de aspiración aspira aire, la bomba no podrá sacar agua del pozo.*

ADVERTENCIA **Riesgo de choque eléctrico.** Puede provocar choque, quemadura o muerte. Desconecte la corriente antes de trabajar en la bomba, el motor, el conmutador a presión, o los cables.

Configuraciones del interruptor del motor

AVISO Los motores de 1/2 HP son de doble tensión y están configurados de fábrica a 115V. Los motores de 3/4 y 1 HP también son de doble tensión, pero vienen configurados de fábrica a 230 V. Los tableros de bornes del motor (ubicados por debajo de la cubierta del motor) deberán ser similares a los que se ilustran a continuación. Utilice las instrucciones para configurar su motor conforme a su suministro de energía.

ADVERTENCIA **Riesgo de choque eléctrico.** Puede provocar choque, quemadura o muerte. **Nunca** conecte un motor configurado a 115 V a una fuente de energía de 230 V.

Selector de tensión de tipo ficha

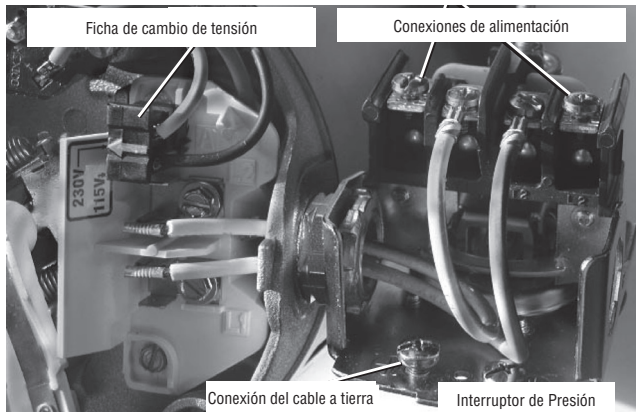


Figura 14 - Tensión configurada para 230 V, tipo ficha.

La configuración de fábrica es para 230 V Para cambiar a 115 V:

1. Verifique que la corriente eléctrica esté desconectada.
2. Jale de la ficha de cambio de tensión y sáquela de las lengüetas.
3. Mueva la ficha de cambio de tensión a la posición de 115 V. Ahora la ficha cubrirá 2 lengüetas metálicas y la flecha en la ficha quedará alineada con la flecha de 115 V en la etiqueta.
4. Conecte los conductores de alimentación a los dos tornillos exteriores en el manóstató según se ilustra en el Figura 14.



Figura 15 - Tensión configurada para 115 V, tipo ficha.

5. Conecte el cable a tierra a una de las conexiones a tierra según se ilustra en la Figura 14.
6. Si hay otros cables, tápelos.
7. Vuelva a instalar las cubiertas del extremo del motor y del manóstató.

Selector de tensión de tipo cuadrante

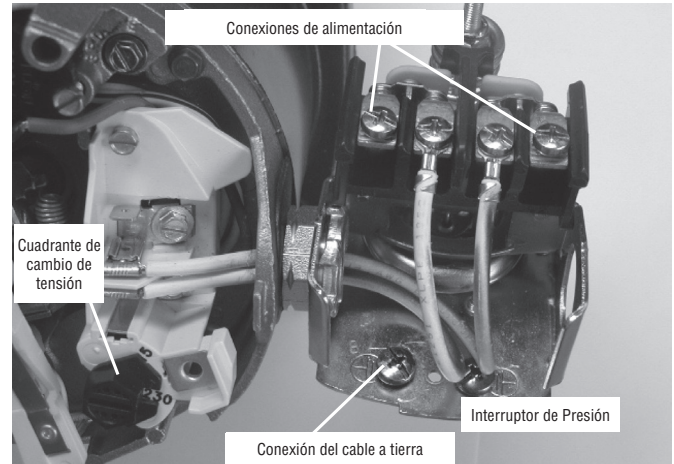


Figura 16 - Tensión configurada para 230 V tipo cuadrante.

La configuración de fábrica es para 230 V. Para cambiar a 115 V:

1. Verifique que la corriente eléctrica esté desconectada.
2. Gire el cuadrante hacia la izquierda hasta que aparezca 115 en la ventana del cuadrante según se ilustra en la Figura 17.

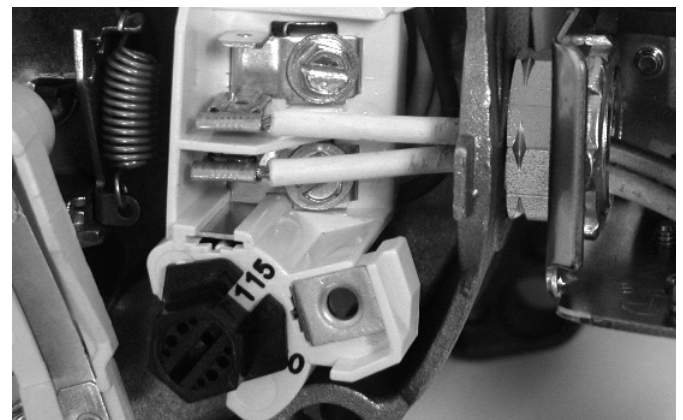


Figura 17 - Tensión configurada para 115 V, tipo cuadrante.

3. Conecte los conductores de alimentación a los dos tornillos exteriores en el manóstató según se ilustra en el Figura 16.
4. Conecte el cable a tierra a una de las conexiones a tierra según se ilustra en la Figura 16.
5. Si hay otros cables, tápelos.
6. Vuelva a instalar las cubiertas del extremo del motor y del manóstató.

Conecte el alambre de puesta a tierra antes de conectar los alambres de suministro de corriente. Use el cable del tamaño especificado en la tabla de cableado (incluyendo el alambre de puesta a tierra). Si es posible, conecte la bomba a un circuito separado de derivación sin ningún otro artefacto en el mismo.

ADVERTENCIA Riesgo de explosión. No haga la conexión a tierra en una línea de suministro de gas.

Conexiones de los cables

ADVERTENCIA Peligro de incendio. Una tensión incorrecta puede causar un incendio o dañar el motor seriamente e invalidará la garantía. La tensión de suministro debe ser entre ± 10 % de la tensión especificada en la placa de datos del motor.

AVISO Los motores de doble tensión se pueden configurar para 115V o 230 V. De ser necesario, vuelva a configurar el motor a la tensión deseada, según se ilustra. No modifique el cableado en los motores de tensión singular.

Instale, ponga a tierra, conecte los alambres y mantenga su bomba conforme al Código Nacional de Electricidad (NEC) o al Código Canadiense de Electricidad (CEC), según corresponda, y conforme a todos los códigos y normas locales que correspondan.

Consulte con su inspector local de construcciones para obtener información sobre los códigos.

Procedimiento para las conexiones:

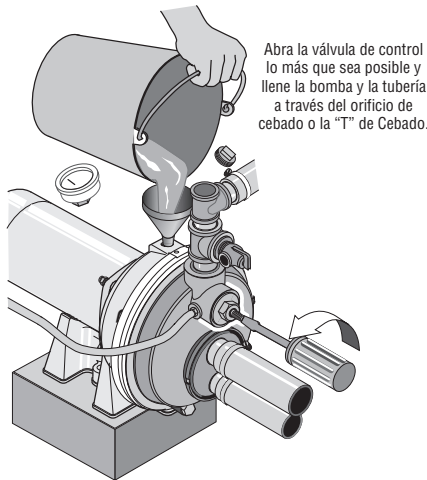
1. Conecte el alambre de puesta a tierra primero según se ilustra en la Figura 16. El alambre de puesta a tierra debe ser un alambre de cobre sólido por lo menos tan grande como los alambres de suministro de corriente.
2. Debe haber una conexión metálica sólida entre el conmutador a presión y el motor para brindar protección a tierra para el motor. Si el conmutador a presión no está conectado al motor, conecte el tornillo de puesta a tierra verde en el conmutador al tornillo de puesta a tierra verde debajo de la tapa de extremo del motor. Use un alambre de cobre sólido que sea por lo menos tan grande como los alambres de suministro de corriente.
3. Conecte el alambre de puesta a tierra a un alambre conectado a tierra del tablero de servicio, a un tubo metálico para agua subterránea, a un entubamiento metálico para pozos de por lo menos 3 metros (10 pies) de largo, o a un electrodo a tierra suministrado por la empresa de energía o hidroeléctrica.
4. Conecte los alambres de suministro de corriente al conmutador de presión según se ilustra en la Figura 16.

Usted acaba de realizar las conexiones eléctricas para su bomba.

Por favor pase a la página 41 ó 42 sobre las preparaciones para arrancar la bomba.

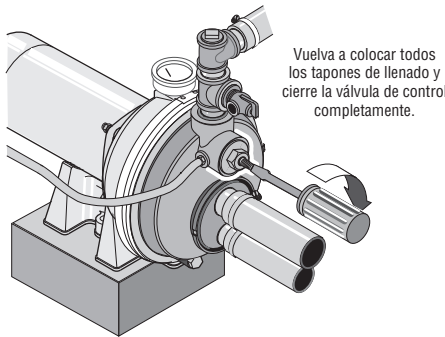
Tabla de Conexiones - Cables Recomendados y Tamaños de Fusibles

HP del Motor	Voltios	Amp de Carga Máxima	Amp de Rango de Fusible de Derivación	Distancia en pies desde el motor al suministro de energía					
				0 - 50	51 - 100	101 - 200	201 - 300	301 - 400	401 - 500
				Calibre del cable awg (mm cuadrados)					
1/2	115/230	9.9/4.95	15/15	14/14 (2/2)	14/14 (2/2)	12/14 (3/2)	10/12 (5/3)	8/12 (7/3)	8/10 (7/5)
3/4	115/230	12.2/6.1	20/15	14/14 (2/2)	14/14 (2/2)	10/14 (5/2)	8/14 (7/2)	8/14 (7/2)	6/12 (9/3)
1	115/230	14.8/7.4	20/15	14/14 (2/2)	12/14 (3/2)	10/14(5/2)	8/12 (7/3)	8/12 (7/3)	6/12 (9/3)



Abra la válvula de control lo más que sea posible y llene la bomba y la tubería a través del orificio de cebado o la "T" de Cebado.

Figura 18 - Llenado de la Bomba



Vuelva a colocar todos los tapones de llenado y cierre la válvula de control completamente.

Figura 19 - Bomba de Carga

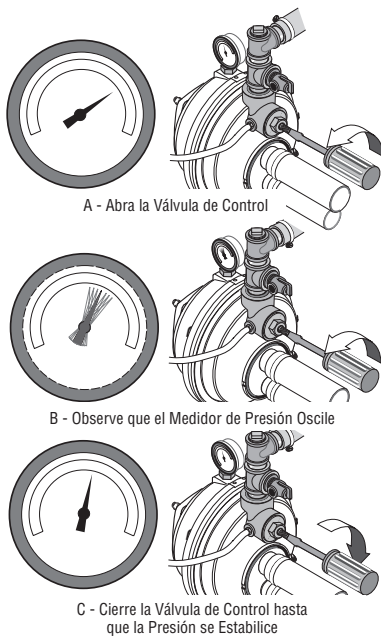


Figura 20 - Fije la Válvula de Control

⚠ PRECAUCIÓN Riesgos de quemaduras. Nunca ponga a funcionar la bomba en seco. Poner a funcionar la bomba sin agua puede ocasionarle sobre calentamiento, dañar el sello y tal vez causar quemaduras a las personas que la estén manejando. Llene la bomba con agua antes de arrancarla.

⚠ ADVERTENCIA Riesgo de explosión. No haga la conexión a tierra en una línea de suministro de gas. Nunca ponga a funcionar una bomba hacia una descarga cerrada. Hacerlo puede ocasionar que el agua en el interior de la bomba ebullicione, produciendo una presión peligrosa en la unidad, riesgo de explosión y posibles quemaduras con el agua a la persona que esté manejando la bomba.

1. Abra la válvula de control lo más que sea posible (vea la Figura 18). Después retire el tapón de cebado de la bomba y llénela, llenando toda la tubería entre la bomba y el pozo; asegúrese de que toda la tubería en el pozo esté llena. Si también instaló una "T" de cebado en la tubería de succión, retire el tapón de la "T" y llene la tubería de succión.
2. Vuelva a colocar todos los tapones de llenado y cierre la válvula de control completamente.
3. Enciéndala! Arranque la bomba y observe el medidor de presión. La presión debe aumentar rápidamente a 50 PSI al irse cargando la bomba.
4. Abra varios grifos en la residencia para permitir el flujo del agua y liberar el aire atrapado. Después de 2 ó 3 minutos, el medidor debe indicar la presión. Si no, pare la bomba, retire los tapones de llenado, vuelva a abrir la válvula de control y vuelva a llenar la bomba y la tubería. Posiblemente tendrá que repetir esto dos o tres veces para sacar todo el aire atrapado en la tubería. No olvide cerrar la válvula de control cada vez antes de encender la bomba.
5. Cuando haya aumentado la presión del agua y ésta esté mantenida por la bomba, abra lentamente la válvula de control (consulte la Figura 20) observe la aguja del manómetro. Continúe abriendo la válvula hasta que esté completamente abierta o hasta que vea que la aguja del manómetro comienza a oscilar. Si la aguja comienza a oscilar, cierre lentamente la válvula justo hasta que deje de hacerlo. Ahora su bomba estará funcionando al máximo de eficacia.
6. Cierre todos los grifos. Después de que la bomba ha producido presión en el sistema y esté apagada, verifique la operación del interruptor de presión abriendo una llave o dos y dejando correr suficiente agua para descargar la presión hasta que la bomba arranque. La bomba debe arrancar cuando la presión caiga a 30 PSI y se debe detener cuando la presión alcance los 50 PSI. Haga funcionar la bomba durante uno o dos ciclos completos para verificar su correcta operación. Esto también le ayudará a limpiar el sistema de polvo y basura producida durante la instalación.

Felicidades por una instalación exitosa.

Si usted no tuvo éxito, por favor pase a la sección de *Solución de Problemas* o llame a nuestro personal técnico de servicio al cliente.

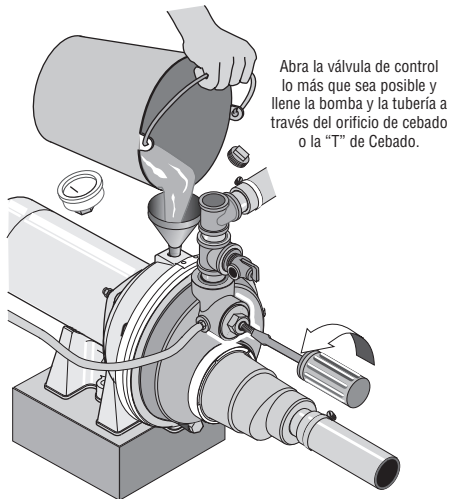


Figura 21 - Abra la Válvula de Control

⚠ PRECAUCIÓN **Riesgos de quemaduras.** Nunca ponga a funcionar la bomba en seco. Poner a funcionar la bomba sin agua puede ocasionarle sobre calentamiento, dañar el sello y tal vez causar quemaduras a las personas que la estén manejando. Llene la bomba con agua antes de arrancarla.

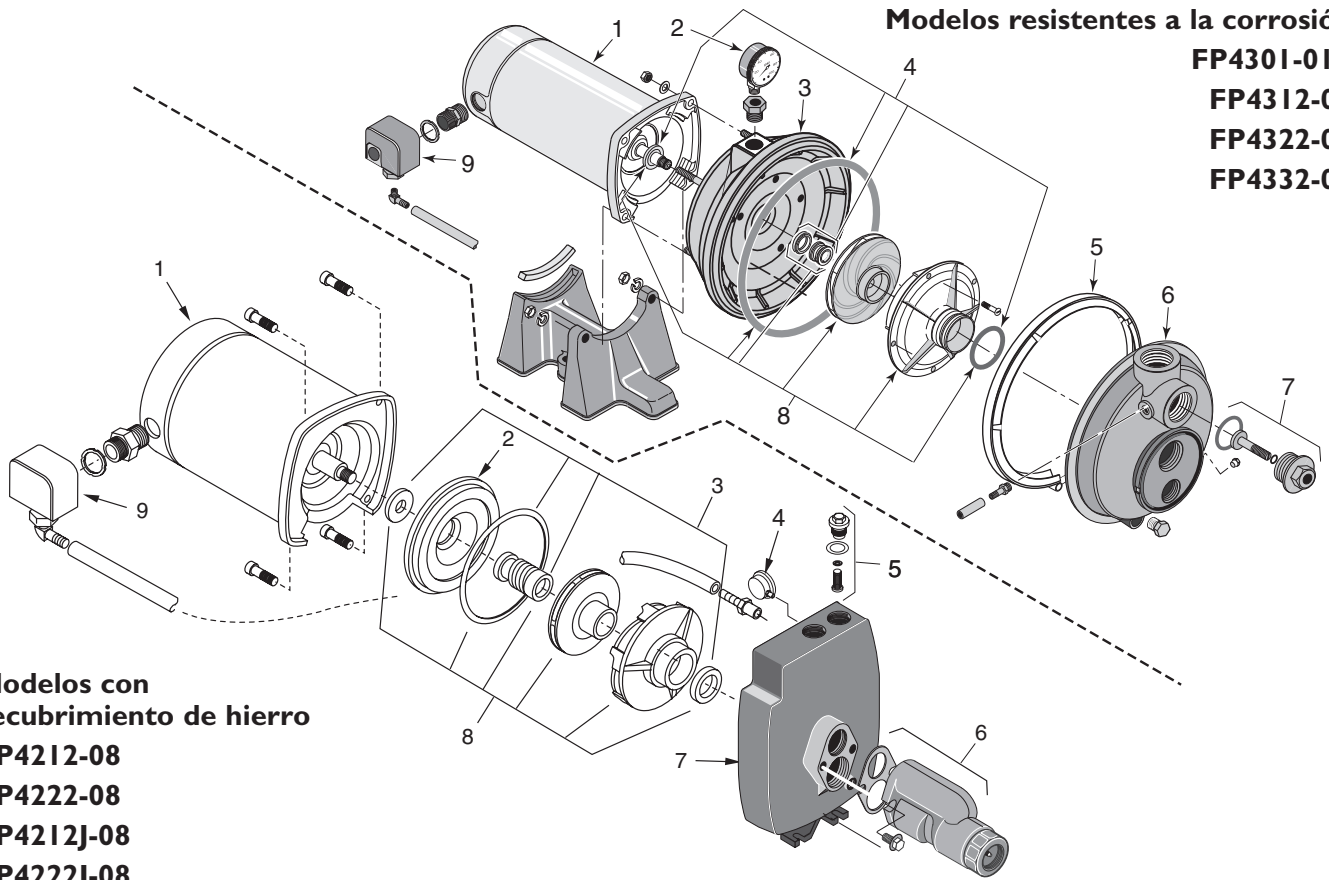
⚠ ADVERTENCIA **Riesgo de explosión.** No haga la conexión a tierra en una línea de suministro de gas. Nunca ponga a funcionar una bomba hacia una descarga cerrada. Hacerlo puede ocasionar que el agua en el interior de la bomba ebullicione, produciendo una presión peligrosa en la unidad, riesgo de explosión y posibles quemaduras con el agua a la persona que esté manejando la bomba.

1. Abra la válvula de control lo más que sea posible. Después retire el tapón de cebado de la bomba y llénela, llenando toda la tubería entre la bomba y el pozo; asegúrese de que toda la tubería en el pozo esté llena. Si también instaló una "T" de cebado en la tubería de succión, retire el tapón de la "T" y llene la tubería de succión.
2. Vuelva a colocar todos los tapones de llenado. Deje abierta la válvula de control (en una instalación para pozo poco profundo, la válvula de control siempre debe mantenerse abierta).
3. Enciéndala! Arranque la bomba. La bomba debe bombear agua después de 2 ó 3 minutos.
4. Si no tiene agua después de 2 ó 3 minutos, pare la bomba y retire todos los tapones de llenado. Vuelva a llenar la bomba y la tubería. Posiblemente tendrá que repetir esto dos o tres veces para sacar todo el aire atrapado en la tubería. La válvula de control se debe mantener abierta durante todo el procedimiento.
5. Después de que la bomba ha producido presión en el sistema y esté apagada, verifique la operación del interruptor de presión abriendo una llave o dos y dejando correr suficiente agua para descargar la presión hasta que la bomba arranque. La bomba debe arrancar cuando la presión caiga a 30 PSI y se debe detener cuando la presión alcance los 50 PSI. Haga funcionar la bomba durando uno o dos ciclos completos para verificar su correcta operación. Esto también le ayudará a limpiar el sistema de polvo y basura producida durante la instalación.

Felicidades por una instalación exitosa.

Si usted no tuvo éxito, por favor pase a la sección de *Solución de Problemas* o llame a nuestro personal técnico de servicio al cliente.

Síntoma	Causa(s) probable(s)	Acción correctiva
El motor no funciona	El interruptor de desconexión está apagado	Verifique que el interruptor esté encendido.
	El fusible está quemado o el disyuntor se abrió	Reemplace el fusible o reposicione el disyuntor.
	El interruptor de encendido está defectuoso	DESCONECTE LA CORRIENTE ELÉCTRICA; reemplace el interruptor de encendido.
	Los cables en el motor están sueltos, desconectados o conectados incorrectamente	Consulte las instrucciones sobre el cableado (página 39); DESCONECTE LA CORRIENTE ELÉCTRICA; inspeccione y ajuste todo el cableado. ⚠ ADVERTENCIA Riesgo de choque eléctrico. Puede provocar choque, quemadura o muerte. La tensión del capacitor puede ser peligrosa. Para descargar el capacitor, tome un destornillador con mango aislado POR EL MANGO y haga un corto circuito con los bornes del capacitor. No toque la hoja metálica del destornillador ni los bornes del capacitor. Si tiene alguna duda, consulte con un electricista competente.
El motor se calienta y dispara la sobrecarga	El motor está cableado incorrectamente	Consulte las instrucciones sobre el cableado.
	La tensión es muy baja	Verifique con la compañía de energía eléctrica. Instale un cableado de mayor calibre si éste es muy pequeño (Ver el Gráfico de Cableado/Electricidad).
	Los ciclos de la bomba son muy frecuentes	Consulte la sección a continuación sobre ciclos demasiado frecuentes.
El motor funciona pero no sale agua* * Detenga la bomba: después verifique el cebado antes de buscar otras causas. Destornille el tapón de cebar y vea si hay agua en el orificio de cebado)	La bomba en una instalación nueva no recogió el cebado debido a: 1. Cebado inadecuado 2. Fugas de aire 3. Fugas en la válvula de pie o en la válvula de retención	En una instalación nueva: 1. Vuelva a cebarla según las instrucciones. 2. Revise todas las conexiones en la línea de aspiración, en el AVC y en el eyector con agua jabonosa o crema de afeitar. 3. Reemplace la válvula de pie o la válvula de retención.
	La bomba ha perdido cebadura debido a: 1. Fugas de aire 2. Nivel de agua por debajo de la entrada de la tubería de aspiración	En una instalación que ya esté en uso: 1. Inspeccione todas las conexiones en la línea de aspiración y en el sello del eje. 2. Baje la línea de aspiración hacia el agua y vuelva a cebar. Si la disminución del nivel de agua supera los 25 pies (7.6 m), será necesario instalar una bomba para pozo profundo.
	La válvula de pie o el colector están tapados	Limpie la válvula de pie o el colector.
	El eyector o el impulsor están tapados	Limpie el eyector o el impulsor.
	La válvula de retención o la válvula de pie está cerrada y atascada	Reemplace la válvula de retención o la válvula de pie.
	Las tuberías están congeladas	Descongele las tuberías. Entierre las tuberías debajo de la línea de congelación. Caliente el recinto de bombas o el foso.
	La válvula de pie y/o el colector están enterrados en arena o en lodo	Eleve la válvula de pie y/o el colector por encima del fondo de la fuente de agua. Limpie la válvula de pie y el colector.
El nivel de agua es demasiado bajo para que la instalación del pozo poco profundo produzca agua	Se necesitará un paquete de chorro para pozo profundo si su pozo tiene más de 25 pies (7.6 m) de profundidad al agua.	
La bomba no produce agua a toda su capacidad (También verifique el punto 3 de arriba)	El nivel del agua en el pozo profundo es menor que el que se calculó	Es posible que se requiera una nueva combinación de venturi y tobera.
	La tubería de acero (si se utilizó) está corroída u oxidada, ocasionando una fricción excesiva	Reemplace con tubería de plástico donde sea posible, o de lo contrario con tubería nueva de acero.
	El tamaño de la tubería es muy pequeño	Utilice una tubería acodada más grande.
La bomba entrega agua pero no se apaga o los ciclos de bombeo son demasiado frecuentes	El manóstató está desajustado o los contactos están soldados juntos	DESCONECTE LA CORRIENTE ELÉCTRICA; ajuste o reemplace el manóstató.
	Se dejaron las llaves abiertas	Cierre las llaves.
	El venturi, la tobera o el impulsor están tapados	Limpie el venturi, la tobera o el impulsor.
	El tanque de presión estándar está inundado y no tiene amortiguador de aire	Drene el tanque a la abertura de regulador de volumen de aire. Verifique que el AVC no presente defectos. Verifique que no haya fugas de aire en ninguna conexión.
	Las tuberías presentan fugas	Inspeccione las conexiones.
	Las válvulas de pie presentan fugas	Reemplace la válvula de pie.
	El manóstató está desajustado	Ajuste o reemplace el manóstató.
La carga de aire es demasiado baja en el tanque precargado	DESCONECTE LA CORRIENTE ELÉCTRICA y abra las llaves hasta que se haya liberado la presión. Mida la presión del aire en el tanque con un manómetro para neumáticos en el vástago de la válvula que se encuentra en el tanque. Si la presión es menor que la del disparo del manóstató (30-50 PSI), bombee aire hacia el tanque desde una fuente externa hasta que la presión del aire sea 2 PSI menos que la presión de disparo del interruptor. Verifique que no haya fugas en la válvula de aire (utilice una solución jabonosa) y reemplace el núcleo si fuese necesario.	
Sale aire de los grifos	La bomba está cebando	Cuando la válvula está cebando, debería bombar sólo agua, sin aire.
	Fuga del lado de la aspiración de la bomba	La tubería de aspiración está aspirando aire. Verifique que no haya fugas en las juntas usando agua jabonosa.
	El pozo es gaseoso	Consulte a la fábrica sobre la instalación de una camisa en el pozo.
	Sobre-bombeo intermitente del pozo, (aspiración adicional de agua por debajo de la válvula de pie)	Baje la válvula de pie si es posible, de lo contrario, restrinja la descarga de la bomba.



Ref.	Descripción	Modelo y HP		
		FP4312-08 1/2HP	FP4322-08 3/4HP	FP4332-08 1 HP
1	Motor	J218-582A-115PKG	A100DL	A100EL
2	Medidor de Presión	TC2104	TC2104	TC2104
3	Cuerpo de la Bomba (Mitad trasera)	L176-47P	L176-47P	L176-47P
4	Kit de Sello y Empaque*	FPP1500	FPP1500	FPP1500
5	Collier de serrage en V	C19-54SS	C19-54SS	C19-54SS
6	Cuerpo de la Bomba (Mitad Delantera)	L76-37P	L76-37P	L76-37P
7	Kit de Reparación General**	L162-10PS	L162-10PS	L162-10PS
8	Nécessaire de révision**	FPP1511	FPP1512	FPP1513
9	Unidad del commutador a presión	TC2151	TC2151	TC2151

Ref.	Descripción de la parte	Modelo y HP	
		FP4212-08 FP4212J-08# 1/2 ch	FP4222-08 FP4222J-08 3/4 ch
1	Motor - 60 Ciclos	J218-582A-115PKG	A100DL
2	Placa del Sello	N3-1043P	N3-1043P
3	Kit de Sello y Empaque*	FPP1550	FPP1550
4	Medidor de Presión	TC2104	TC2104
5	Unidad de la válvula de control	01322	01322
6	Paquete de chorro***	J198-22	J198-22
7	Cuerpo de la Bomba	L76-44	L76-44
8	Kit de Reparación General**	FPP1560	FPP1561
9	Interruptor de Presión	TC2151	TC2151

* Incluye: Dispositivo lubricador para agua, anillo de placa de sello en forma de O u empaque, sello de junta, cojinete difusor y difusor en forma de O u empaque.

** Incluye: Kit de Sello y Junta más difusor, impulsor e inserción de la placa del sello.

*** FP4212J y FP4222J solamente. Para los números de las piezas. Consulte la página siguiente.

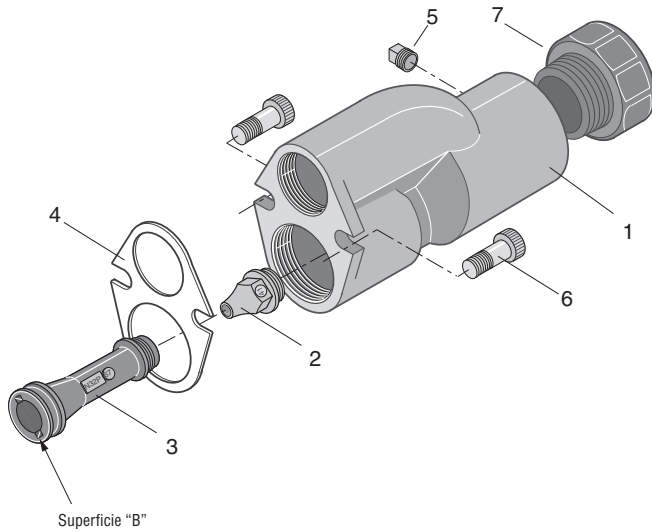
Incluido en los modelos FP4212J15H-04 y FP4212J42-04.

Las instrucciones de reparación se encuentran incluidas con todos los kits de reparación.

Se dispone de paquetes de eyector para operaciones en pozos profundos o poco profundos. El manual del propietario de la bomba describe las condiciones que definen las operaciones en pozos profundos o poco profundos. Es importante leer el manual con atención para determinar sus requisitos de bombeo. Observe que la tobera ya viene instalada en la unidad del eyector y funciona tanto con venturi para pozos profundos como poco profundos.

Instalación en pozos poco profundos

Juego para pozo poco profundo para bombas de la Serie 4200 Juego FP4855

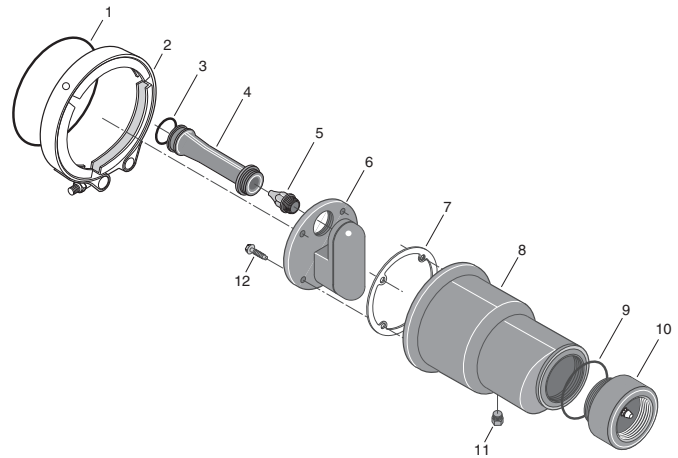


AVIS Tenga cuidado de no dañar la superficie de estanqueidad (marcada Superficie "B" en el dibujo que antecede) para no provocar fugas internas.

Ref.	Descripción	Número de repuesto
1	Unidad del eyector	N40-92
2	Tobera (#51)	J34P-41
3	Venturi, pozo poco profundo	N32P-66B*
4	Empaquetadura	N20-25
5	Tapón de tubería	U78-56ZPS
6	Tornillo prisionero de cabeza hueca (2 req.)	U30-961PS
7	Válvula de retención	N212-12P

* La bomba de 3/4 HP usa un venturi para pozo poco profundo N32P-678.

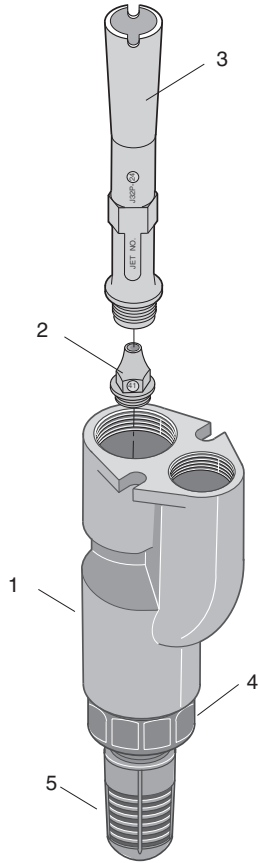
Juego para pozo poco profundo para bombas de la Serie 4300 Juego FP4875



Ref.	Descripción	Número de repuesto
1	Aro tórico, unidad de chorro	U9-202
2	Abrazadera	J19-6
3	Aro tórico, Venturi	U9-201
4	Venturi, 3/4 HP	N32P-63
	Venturi, 1 HP	N32P-64
	Venturi, 1/2 HP	N32P-72
5	Tobera (n° 51), 1/2 y 3/4 HP	J34P-41
	Tobera (n° 54), 1 HP	J34P-44
6	Inserción, unidad de chorro	N40-39P
7	Empaquetadura	J20-18
8	Unidad de chorro	N40-38P
9	Aro tórico, válvula de retención	U9-226
10	Clapet de non retour - complet	N166-5P
11	Tapón para tubería - 1/8" NPT - Cabeza cuadrada	WC78-41T
12	Tornillo - #10 - 16 x 1-1/8" grande (4 req.)	U30-742SS

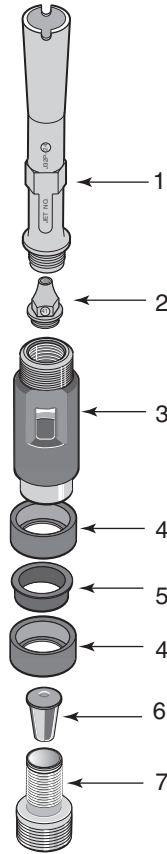
Instalación en pozos profundos

Juego de tubería doble de 4" para bombas de las Series 4200 y 4300 Juego FP4800



Ref.	Descripción	Número de repuesto
1	Unidad de eyector	N40-92
2	Tobera (#51)	J34P-41
	Tobera (#52)	J34P-42
3	Venturi [<120' (36.6 m)]	J32P-24
	Venturi [>110' (33.6 m)]	J32P-18
4	Válvula de retención	N212-12P
5	Criba	L8-1P

Juego de tubería singular de 2" para bombas de las Series 4200 y 4300 Juego FP4840



Ref.	Descripción	Número de repuesto
1	Venturi [<120' (36.6 m)]	J32P-24
	Venturi [>110' (33.6 m)]	J32P-18
2	Tobera (#52)	J34P-42
	Tobera (#54)	J34P-44
3	Unidad de chorro	J40-24
4	Empaquetadura de cuero en U (2)	J57-1
5	Espaciador	J43-14P
6	Válvula de retención	P122-10B
7	Asiento de la válvula	J66-13
*	Adaptador de la envoltura	J216-44
*	Manguito torneado 1-1/4 NPT (5)	U11-1

* No se ilustra.

