

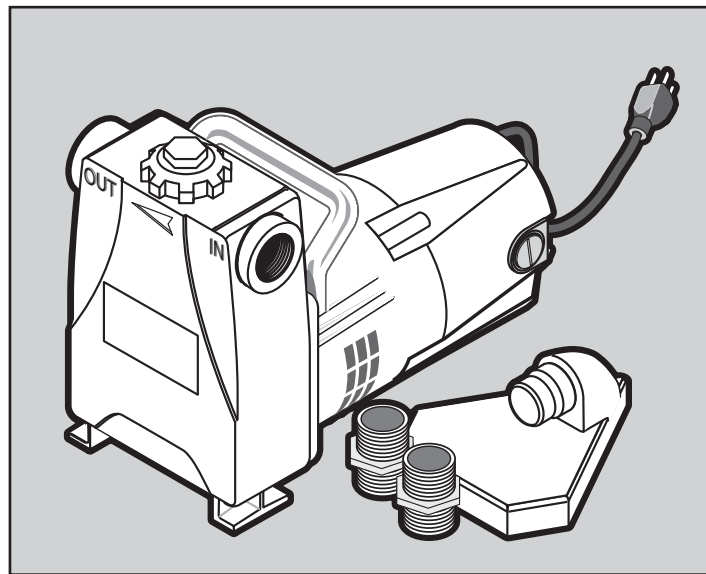


293 Wright St., Delavan, WI 53115
 Phone: 1-800-468-7867
 1-800-546-7867
 Fax: 1-800-390-5351

OWNER'S MANUAL
Utility/Transfer Pump

NOTICE D'UTILISATION
Pompe à usage général et pour le transfert

MANUAL DEL USUARIO
Bomba de transferencia / para uso general



Model 4850C

	<p>⚠ WARNING</p> <p>Risk of fatal electrical shock if pump motor gets wet. Keep motor dry. Do not immerse pump or motor, or run pump if motor is wet.</p>	<p>⚠ AVERTISSEMENT</p> <p>Risque d'électrocution si le moteur de la pompe entre en contact avec de l'eau. Maintenir le moteur à sec. Ne pas immerger la pompe ou le moteur, ou mettre en marche la pompe si le moteur est mouillé.</p>	<p>⚠ ADVERTENCIA</p> <p>Peligro de descarga eléctrica fatal si se moja el motor de la bomba. Mantenga el motor seco. No sumerja en agua la bomba o el motor ni haga funcionar la bomba con el motor mojado.</p>

Installation/Operation/Parts

For further operating, installation, or maintenance assistance:

Call 1-800-468-7867

English Pages 2-7

Installation/Fonctionnement/Pièces

Pour plus de renseignements concernant l'utilisation, l'installation ou l'entretien,

Composer le 1 (800) 468-7867

Français Pages 9-15

Instalación/Operación/Piezas

Para mayor información sobre el funcionamiento, instalación o mantenimiento de la bomba:

Llame al 1-800-468-7867

Español Páginas 16-22

Carefully read and follow all safety instructions in this manual or on pump.

⚠ This is the safety alert symbol. When you see this symbol on your pump or in this manual, look for one of the following signal words and be alert to the potential for personal injury!

⚠ DANGER DANGER warns about hazards that **will** cause serious personal injury, death or major property damage if ignored.


⚠ WARNING WARNING warns about hazards that **can** cause serious personal injury, death or major property damage if ignored.

⚠ CAUTION CAUTION warns about hazards that **will** or **can** cause minor personal injury or property damage if ignored.

The word **NOTICE** indicates special instructions which are important but not related to hazards.

1. To avoid risk of serious bodily injury and property damage, read safety instructions carefully before installing pump.
2. Follow local and/or national plumbing and electrical codes when installing pump.
3. **⚠ WARNING** To avoid fatal shocks, proceed as follows if pump needs servicing:
 - A. **Disconnect power to pump outlet box before pulling pump cord plug.** After plug is pulled, let pump cool for 20 minutes before attempting to work on it.
 - B. **Take extreme care when changing fuses.** To reduce chance of fatal electrical shocks, **DO NOT** stand in water or put your finger in the fuse socket.
 - C. **Ground** electrical outlet box.
 - D. **Use only Ground Fault Circuit Interrupter (GFCI) protected grounded outlet** for cord plug.
4. **Never run pump dry.** To do so can damage internal parts, overheat pump (which can cause burns to people handling or servicing pump), and will void warranty!
5. **⚠ WARNING** Risk of fire or explosion from sparks from motor brushes. Do not pump gasoline or any other flammable liquids with pump. Do not use pump in atmosphere that might contain flammable fumes or vapors.
6. Do not pump chemicals or corrosive liquids with pump.

⚠ WARNING



Hazardous voltage. Can shock, burn, or cause death.

Ground pump before connecting to power supply.

⚠ Pump is supplied with 3-conductor grounding type cord. Connect only to properly grounded, GFCI protected outlet. Do not lift pump by electrical cord. Do not use an extension cord.

⚠ Pump is non-submersible. Keep motor dry at all times. Do not wash motor. Do not immerse. Pro-TECT motor from wet weather.

⚠ Unplug pump before servicing.

⚠ WARNING If water is trapped in pump during operation, it may turn to steam, leading to explosion and burns. Never run pump with outlet shut off or blocked.

NOTICE

Pump clean water only with pump. To avoid clogging pump and damage to shaft seal, do not pump water containing solids, foreign material, sand, silt, or abrasives. Always have suction strainer installed when pump is operating. Failure to use strainer may cause pump failure and void warranty.

Clean strainer and flush out pump after each use.


Make sure all hose and pipe connections in suction line are tight. An air leak in suction line will prevent priming and reduce performance.

To prevent damage to pump materials, do not use pipe joint compounds on pump ports. Use only teflon tape or Plasto-Joint-Stik* to seal threads.

Tighten all piping to pump hand tight +1-1/2 turns only. Overtightening may break pump and will void warranty.

Maximum liquid temperature is 120°F (48.8°C).

*Lake Chemical Co., Chicago, Illinois



⚠ WARNING

Risk of fatal electrical shock if pump motor gets wet. Keep motor dry. Do not immerse pump or motor, or run pump if motor is wet.

Thank you for purchasing a top quality, factory tested pump.

	Page
General Safety	2
Warranty	3
Installation	4-6
Brush Changing Procedure.....	7
Repair Parts	8

ATTACH ORIGINAL RECEIPT HERE FOR WARRANTY CONSIDERATION.

SIMER warrants to the original consumer purchaser ("Purchaser") of its products that they are free from defects in material or workmanship. If within twelve (12) months from the date of the original consumer purchase any such product shall prove to be defective, it shall be repaired or replaced at SIMER's option, subject to the terms and conditions set forth below. Your original receipt of purchase is required to determine warranty eligibility.

Exceptions to the Twelve (12) Month Warranty

Product/Model No.	Warranty Period
M40P, M40, BW85P, CM10, CMK	90 days
2330, 2300, 2310, 2955, 2956, 2957, 2960, A5500	2 Years
4" Submersible Well Pumps, 3984, 3983, 2975PC, 2958, 2985, 3075SS	3 Years
Pre-Charge Water System Tank, 3986, 3985, 2956	5 Years
3988, 3995, 3997, 3963	Lifetime

General Terms and Conditions

Purchaser must pay all labor and shipping charges necessary to replace product covered by this warranty. This warranty shall not apply to acts of God, nor shall it apply to products which, in the sole judgement of SIMER, have been subject to negligence, abuse, accident, misapplication, tampering, alteration; nor due to improper installation, operation, maintenance or storage; nor to other than normal application, use or service, including but not limited to, operational failures caused by corrosion, rust or other foreign materials in the system, or operation at pressures in excess of recommended maximums.

Requests for service under this warranty shall be made by returning the defective product to the Retail outlet or to SIMER as soon as possible after the discovery of any alleged defect. SIMER will subsequently take corrective action as promptly as reasonably possible. No requests for service under this warranty will be accepted if received more than 30 days after the term of the warranty.

This warranty sets forth SIMER's sole obligation and purchaser's exclusive remedy for defective products.

SIMER SHALL NOT BE LIABLE FOR ANY CONSEQUENTIAL, INCIDENTAL, OR CONTINGENT DAMAGES WHATSOEVER.

THE FOREGOING WARRANTIES ARE EXCLUSIVE AND IN LIEU OF ALL OTHER EXPRESS WARRANTIES. IMPLIED WARRANTIES, INCLUDING BUT NOT LIMITED TO THE IMPLIED WARRANTIES OF MERCHANTABILITY AND FITNESS FOR A PARTICULAR PURPOSE, SHALL NOT EXTEND BEYOND THE DURATION OF THE APPLICABLE EXPRESS WARRANTIES PROVIDED HEREIN.

Some states do not allow the exclusion or limitation of incidental or consequential damages or limitations on how long an implied warranty lasts, so the above limitations or exclusions may not apply to you. This warranty gives you specific legal rights and you may also have other rights which vary from state to state.

SIMER • 293 Wright Street • Delavan, WI U.S.A. 53115
Phone: 1-800-468-7867/1-800-546-7867 • Fax: 1-800-390-5351
E-Mail: info@simerpumps.com • Web Site: http://www.simerpumps.com

LOCATION OF UNIT

Locate pump as near as possible (vertically) to water source, to keep suction lift (distance from water to pump) as low as possible. Place pump on level support. Protect against excess moisture and flooding.

PIPING

Both suction and discharge ports are tapped for 3/4" pipe. If using hoses, use hose to pipe thread adapter. To prevent suction line collapse, use pipe or reinforced hose only for suction line. Install strainer or puddle gulper on end of suction line. Inspect and clean strainer frequently (Fig. 1). Plastic pipe can be used for all installations.

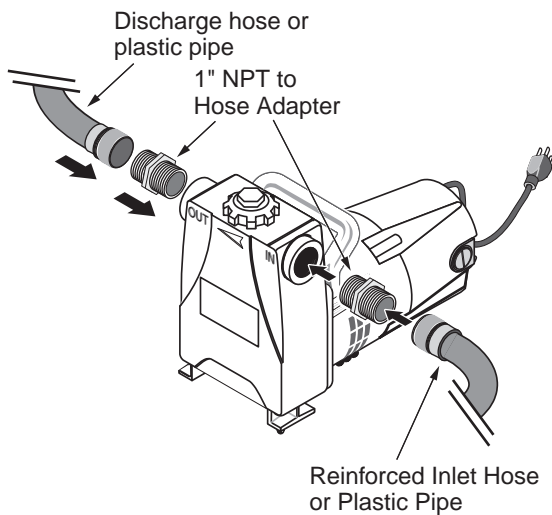


Figure 1: Install the adapters and connect the inlet and discharge hoses.

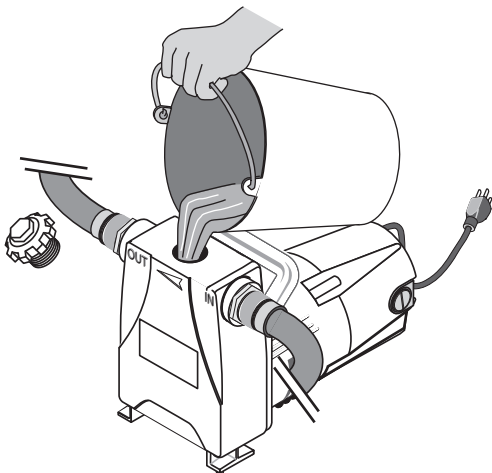
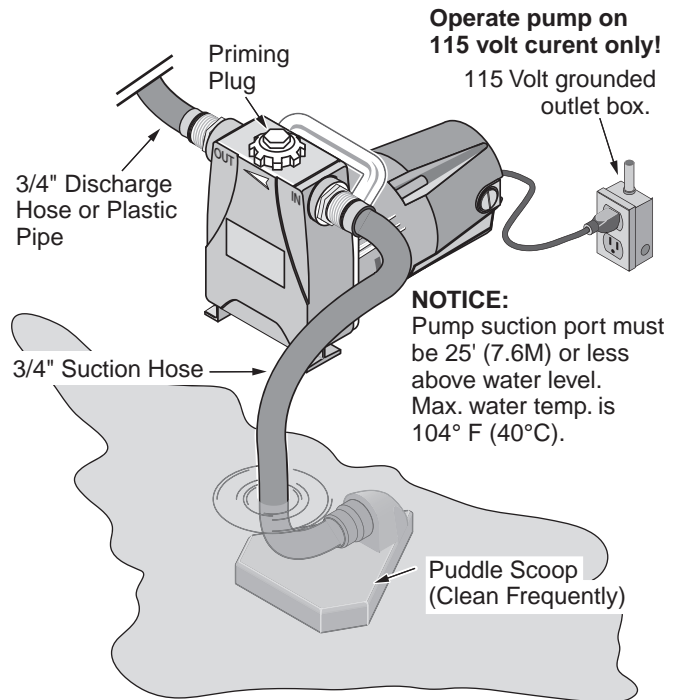


Figure 2: Remove the priming plug and fill the pump body with water. The pump must be full of water before you start it!



⚠ WARNING Electrical shock hazard. Pump and motor are not submersible. Keep them dry!

Figure 3: Typical Installation. Be sure to connect the pump to a grounded outlet. Do not immerse the pump and motor!

PRIMING/OPERATION

NOTICE: Do not run pump dry. Running pump without water can damage impeller and may damage seal, causing leaking or flooding, and will void warranty.

All suction connections must be airtight. Make sure suction lift is not more than 25' (7.6M). Fill pump body through priming port before starting pump. Start pump; it should pump water in under 10 minutes (depending on length of suction hose and height of pump above water).

ELECTRICAL

⚠ WARNING Risk of dangerous or fatal electric shock. Hazardous pressure. **Unplug pump before servicing it. Do not handle pump or attempt to work on pump with wet hands or while standing on wet or damp floor.**

Plug pump into 115 Volt, 60 Cycle outlet only. Pump is equipped with 3-wire, grounded, cord and plug. Do not modify or remove plug. Plug in to properly grounded, grounding type outlet only. Make sure pump circuit meets National Electrical Code. To avoid dangerous electrical shock hazard, keep cord dry at all times.

NOTICE: Pump motor is equipped with carbon brushes with a normal operating life of about 300 hours. One extra set of brushes is included. Replacement brushes are available from your dealer. Motor brushes not included in warranty.

⚠ WARNING Fire hazard. Incorrectly mounted brushes may cause fire. Be sure curve on end of brush matches curve on commutator.

LUBRICATION

Motor is lubricated at factory for life of bearings. Pump seal is water cooled and self lubricating.

PUMP SERVICE

Motor has auto-reset thermal overload. If motor overheats, overload will cut off power to prevent damage and will reset after motor cools. If overload trips repeatedly, check pump for cause (low voltage, clogged impeller, etc.).

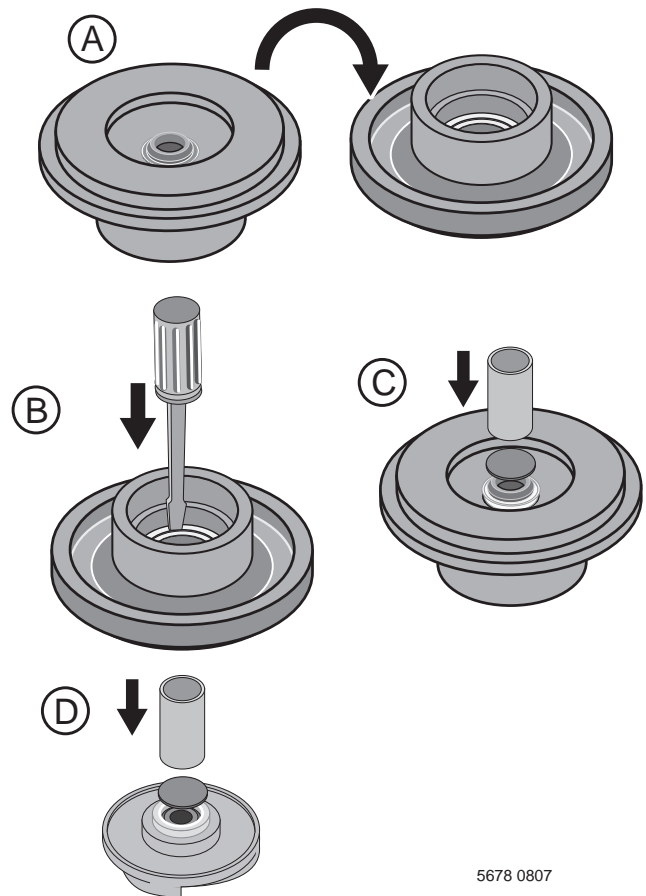
⚠ WARNING Hazardous voltage. Can shock, burn, or cause death. Disconnect motor from electrical power before servicing pump.

Always replace *both* brushes - to avoid fire hazard, never replace just one.

Seal Changing Procedure

⚠ WARNING Hazardous voltage. Unplug pump before continuing.

1. Unplug the pump from the outlet and remove all piping or hoses from the pump.
2. To avoid breaking the brushes when you remove or replace the motor shaft, remove the motor brushes (see "Brush Changing Procedure", Page 7, Steps 1 and 2). Put the brushes where they will not get lost or damaged while you proceed.
3. Remove 4 screws from the back of the pump body (Key No. 1, Page 8) and remove the pump body from the motor. Remove the old Square-cut O-Ring (Key No. 4C) from the assembly.
4. Unscrew the impeller (Key No. 4A) from the motor shaft and discard it.
5. Pull the seal plate (Key No. 5) from the motor shaft.
6. Turn the seal plate face down (See Figure 4A) and use a screwdriver or small tube to push the stationary seal half out of the seal plate (Figure 4B).
7. Place a cardboard washer over the seal face to protect it and use a tube to push the stationary seal half into the seal plate until it seats (Figure 4C). Be sure you don't scratch or mar the polished face of the seal. Also, keep your hands away from the seal face to keep dirt and grease off of it.



5678 0807

Figure 4: Seal Changing Procedure

8. Use the cardboard washer and tube to push the rotating half of the seal into the new impeller, polished face out (Figure 4D). Be sure you don't scratch or mar the polished face of the seal. Also, keep your hands away from the seal face to keep dirt and grease off of it.
9. CAREFULLY slide the seal plate back onto the motor shaft, making sure that you don't chip or scratch the seal face in the process.
10. Thread the new impeller onto the motor shaft, making sure that you don't chip or scratch the seal face in the process.
11. Reinstall the motor shaft in the motor.
12. Install the new square-cut O-ring on the seal plate.
13. Bring the impeller/motor assembly up to the pump body and insert the impeller and seal plate into the pump body.
14. Install the 4 body screws (be sure to reinstall the handle on the upper screws) and tighten them securely.
15. Replace the motor brushes (see "Brush Changing Procedure", Page 7, Steps 4, 5, and 6).

Cord Replacement

▲WARNING Hazardous voltage. Unplug pump before working on or servicing pump. Don't attempt to modify the cord or plug; these instructions are ONLY for replacement of cord.

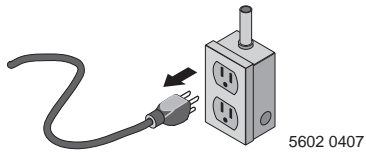
1. Unplug the pump.
2. Unscrew the two screws holding the cord plate to the back of the motor. Pull the cord gently out of the motor cavity.
3. Cut the existing wires on the motor side of the crimps, as close to the connectors as possible (in other words, leave yourself as much wire in the motor as possible).
4. Strip all the wires back about 5/8" from the wire ends.
NOTE: Make connections with wire nuts designed for connecting 2 #16 AWG wires (see the wire nut package).
5. Connect the green (ground) wire from the cord to the green (ground) wire from the motor. Connect the black (hot) wire from the cord to either black wire from the motor. Connect the white (neutral) wire from the cord to the remaining black wire from the motor.
6. After you have made the connections, check all connections carefully to be sure that no bare copper shows. If you see any bare wire, disconnect the wire nut and remake that connection.
7. Once you are sure that there is no exposed wire, carefully stuff the wire and wire nuts back into the cavity in the motor.
8. Hold the cord plate up against the motor and reinstall the screws. Tighten thoroughly but do not over-tighten!
9. Once assembly is complete, SET THE PUMP DOWN (that is, don't touch it) and plug it in (very briefly, to avoid damaging the shaft seal) to make sure that everything is correctly connected and nothing is shorted.
10. The pump is ready for operation.

Motor Brush Replacement (See Brush Changing Procedure, page 7:

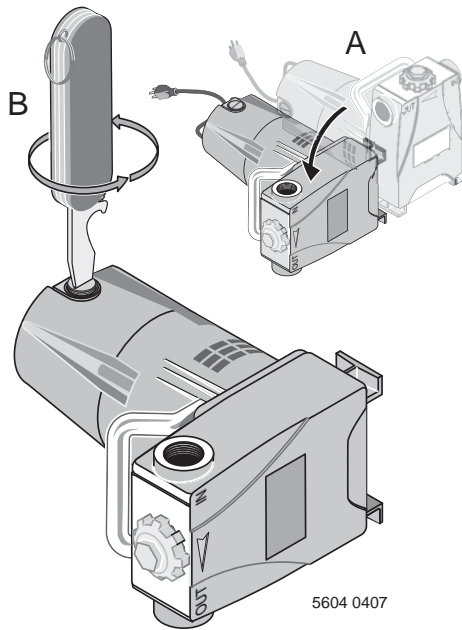
Replace brushes when they wear down to 3/8" (9.5mm) length.

1. Unplug pump from power outlet.
2. Unscrew brush caps and remove brushes.
NOTICE: Pull brushes straight out of holders, being careful not to stretch springs. If reusing same brushes, mark brush and brush cap for replacement to original position.
3. Install new brushes and brush caps.
NOTICE: When reinstalling same brushes that were removed, replace on same side of motor they were on originally. Match curve on ends of brushes to curve on commutator.

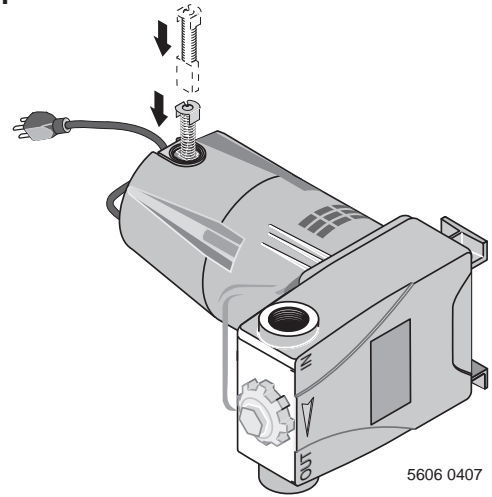
Step 1



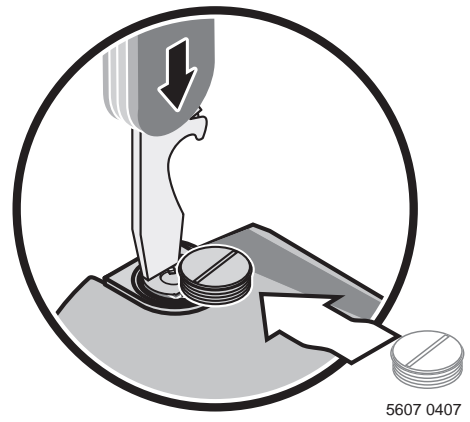
Step 2



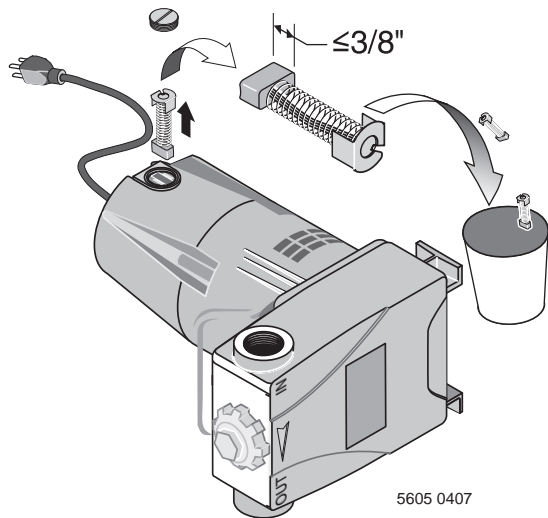
Step 4



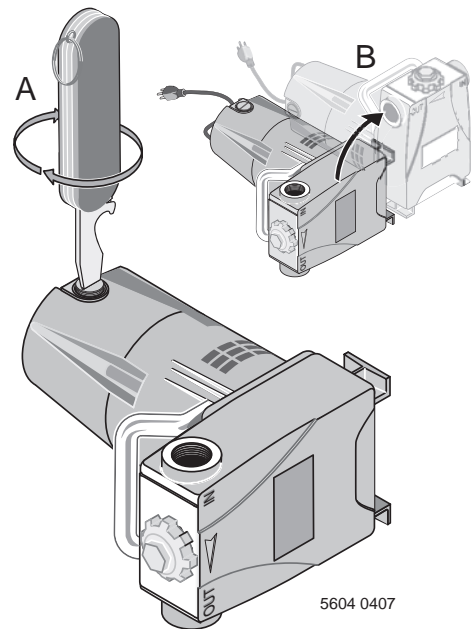
Step 5

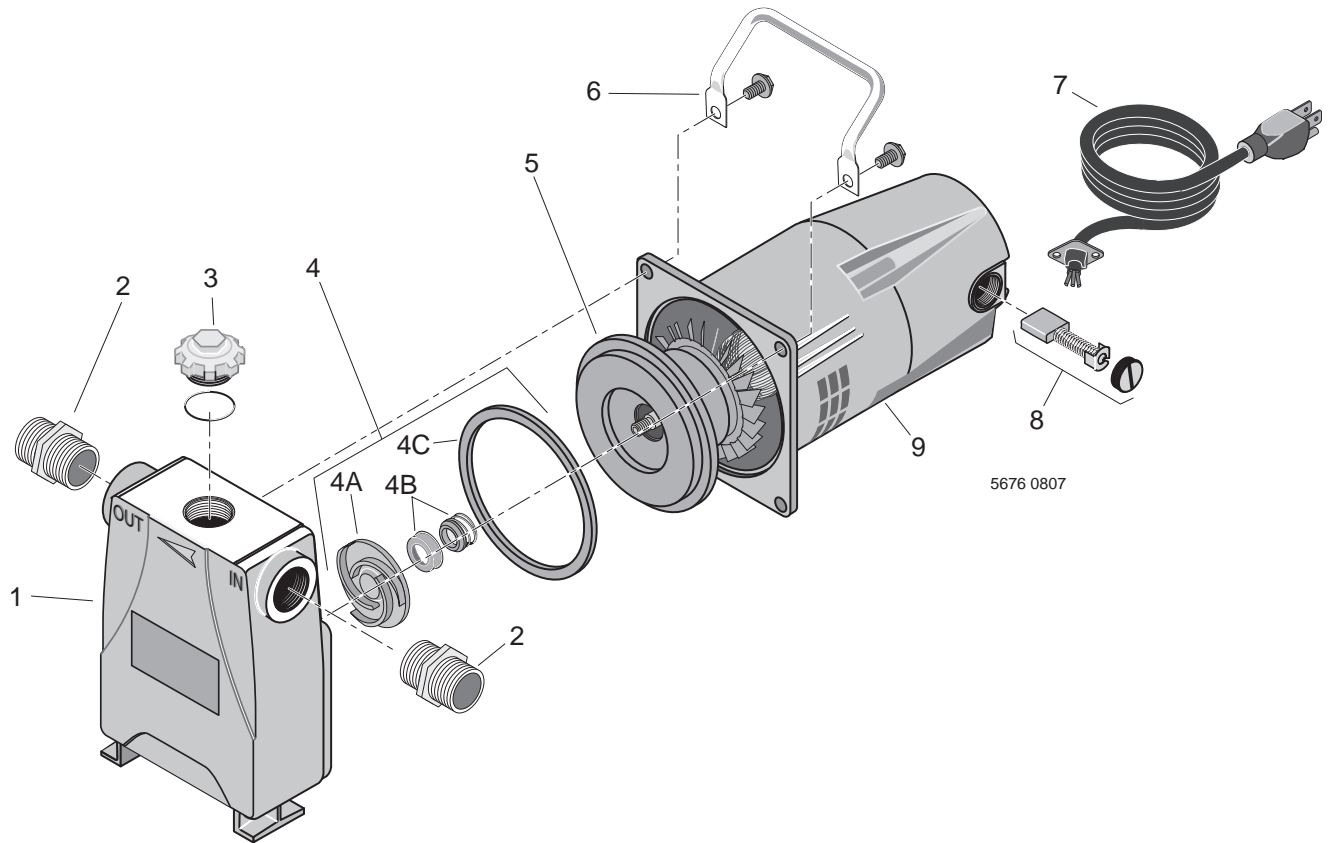


Step 3



Step 6





Repair Parts — Model 4850C

Key No.	Part Description	Qty.	Part Number
1	Pump Body	1	*
2	3/4" NPT x 3/4" Garden Hose Adapter	2	†
3	Fill Plug	1	**
4	Overhaul Kit (Includes 4A, 4B, 4C)	1	FPPKG 225-P2
4A	Impeller	1	***
4B	Shaft Seal	1	***
4C	Square Cut O-Ring	1	***
5	Seal Plate	1	***
6	Handle With Hardware	1	C54-30
7	Power Cord	1	PS17-1507
8	Brush Kit (Includes 1 Pair of Brushes with springs and Retainer Caps)	1	FPPKG 226-P2
9	Motor	1	*

* If Pump Body or Motor fail, replace entire pump.

** **NOTE:** Fill Plug threads do not match inlet or discharge threads; Fill Plug is not interchangeable with Garden Hose Adapter (Key No. 2).

*** Not available separately.

† Purchase locally.

Lire soigneusement et respecter toute les consignes de sécurité figurant dans ce manuel ou sur la pompe.

⚠ Voici le symbole de sécurité. La présence de ce symbole sur la pompe ou dans ce manuel signale l'une des mentions suivantes qui avertissent du risque de blessures!

⚠ DANGER DANGER avertit des dangers qui entraîneront des blessures graves, voire mortelles, ou d'importants dommages matériels si l'on ne respecte pas les consignes.

⚠ AVERTISSEMENT AVERTISSEMENT avertit des dangers qui peuvent provoquer des blessures graves, voire mortelles, ou d'importants dommages matériels si l'on ne respecte pas les consignes.

⚠ ATTENTION ATTENTION avertit des dangers qui entraîneront ou peuvent entraîner des blessures moins graves ou de petits dommages matériels si l'on ne respecte pas les consignes.

La mention AVIS indique des instructions spéciales et importantes, mais qui ne se rapportent pas à des dangers.

1. Lire avec soin ces règles et instructions avant le montage. La non-observation de celles-ci risque de provoquer des blessures graves et/ou des dommages matériels.
2. Suivre le code local en matière de plomberie et d'électricité avant d'effectuer le montage.
3. **⚠ AVERTISSEMENT** Pour éviter tout risque d'électrocution, suivre la procédure suivante si la pompe a besoin d'être réparée.
 - A. **Couper l'alimentation en courant électrique de la boîte de sortie avant de débrancher la prise de la pompe.** Une fois la prise débranchée, laisser la pompe refroidir pendant 20 minutes avant d'essayer de la réparer.
 - B. **Faire extrêmement attention en changeant les fusibles.** Pour réduire les risques d'électrocution, **NE PAS** avoir les pieds en contact avec de l'eau ou mettre le doigt dans la douille du fusible.
 - C. **Mettre à la masse** la boîte de sortie de courant.
 - D. **N'utiliser qu'un interrupteur à la masse pour circuits de faille (GFCI) et une sortie à la masse** pour la prise.
4. **Ne jamais faire fonctionner la pompe à sec** car cela peut endommager les pièces intérieures et provoquer une surchauffe de la pompe (qui peut brûler la personne la faisant fonctionner ou la réparant). Cela annulerait également l'application de la garantie.
5. **⚠ AVERTISSEMENT** **Risque de feu ou d'explosion à partir d'étincelles émises par les brosses du moteur.** Ne pas pomper de l'essence ou tout autre liquide inflammable avec cette pompe, ni l'utiliser dans un environnement pouvant contenir des vapeurs ou gaz inflammables.
6. Ne pas pomper de produits chimiques ou corrosifs avec cette pompe.

⚠ AVERTISSEMENT



Tension dangereuse.
Peut provoquer des électrocutions, des brûlures et la mort.
Mettre la pompe à la masse avant de brancher à l'alimentation en courant.

⚠ La pompe est fournie avec un câble à masse à 3 conducteurs. Ne relier qu'à une sortie électrique correctement mise à la masse et protégée par un interrupteur à la masse pour circuits à faille. Ne pas lever la pompe à l'aide du câble électrique. Ne pas utiliser de rallonge.

⚠ La pompe n'est pas submersible. Toujours maintenir le moteur à sec. Ne pas le laver. Ne pas l'immerger. Le maintenir à l'abri des intempéries.

⚠ Débrancher la pompe avant de passer à l'entretien.

⚠ AVERTISSEMENT Si de l'eau est retenue dans la pompe pendant le fonctionnement, de la vapeur peut se créer causant une explosion et des brûlures. Ne jamais faire fonctionner la pompe avec la décharge en courant fermée ou bloquée.

AVIS

N'utiliser la pompe que pour pomper de l'eau propre. Pour éviter qu'elle ne s'obstrue et que le joint de l'arbre soit endommagé, ne pas pomper d'eau contenant des corps solides, des matériaux étrangers, du sable, du limon ou des particules abrasives. Toujours s'assurer qu'une crépine d'aspiration est montée lorsque la pompe est en marche. Manquer à cette règle peut provoquer un mauvais fonctionnement et annuler la garantie.

Nettoyer la crépine et rincer la pompe après chaque utilisation. Veiller à ce que tous les raccords du conduit plastique ou tuyau flexible de la ligne d'aspiration sont étanches. Une fuite d'air dans la ligne d'aspiration empêchera l'amorce et réduira la performance.

Pour éviter tout dommage aux pièces de la pompe, ne pas utiliser de compound de raccords sur les orifices. Utiliser uniquement du ruban téflon ou *Plasto-Joint-Stik pour sceller les filets.

Serrer manuellement tous les raccords à la pompe de 1,5 tour seulement. Exercer un excès de serrage casserait la pompe et annulerait la garantie.

La température maximale du liquide doit être de 48,8 °C (120 °F).

*Lake Chemical Co., Chicago, Illinois, États-Unis

	<p>⚠ AVERTISSEMENT</p> <p>Risque d'électrocution si le moteur de la pompe entre en contact avec de l'eau. Maintenir le moteur à sec. Ne pas immerger la pompe ou le moteur, ou mettre en marche la pompe si le moteur est mouillé.</p>
--	---

Merci d'avoir acheté une pompe de qualité supérieure mise à l'essai à l'usine.

	Page
Sécurité.....	9
Garantie.....	10
Installation.....	11–13
Remplacement des balais.....	14
Pièces de rechange	15

ATTACHER LE REÇU D'ORIGINE ICI À DES FINS DE GARANTIE

SIMER garantit à l'acheteur-utilisateur initial de ses produits ("Acheteur") contre tout défaut de fabrication et de matériaux.

Tout produit reconnu défectueux dans les douze (12) mois qui suivent la date d'achat d'origine sera remplacé ou réparé à la discrétion de SIMER, selon les conditions stipulées ci-dessous. La preuve d'achat est exigée pour déterminer l'admissibilité à la garantie.

Exceptions à la garantie de douze (12) mois

Produits/N° de modèle	Période de garantie
M40P, M40, BW85P, CM10, CMK	90 jours
2330, 2300, 2310, 2955, 2956, 2957, 2960, A5500	2 ans
Pompe pour puits submersibles de 4 pouces, 3984, 3983, 2975PC, 2958, 2985, 3075SS	3 ans
Réservoir préchargé de système d'eau, 3986, 3985, 2956	5 ans
3988, 3995, 3997, 3963	À vie

Conditions générales

L'Acheteur s'engage à payer tous les frais de main-d'œuvre et d'expédition nécessaires au remplacement du produit couvert par la garantie. Cette garantie ne couvrira pas les cas de force majeure, et ne s'appliquera pas aux produits qui, du seul avis de SIMER, ont fait l'objet de négligence, d'utilisation abusive ou incorrecte, d'accident, de modification ou d'altération ; ni aux produits qui n'ont pas été installés, utilisés, entreposés ou entretenus correctement ; ni à ceux qui n'ont pas été utilisés ou entretenus normalement, y compris, mais sans s'y limiter, aux produits ayant des pannes de fonctionnement causées par la corrosion, la rouille ou autre corps étranger dans le système, ou à des produits ayant fonctionné à des pressions dépassant la limite maximale recommandée.

Les demandes de service en vertu de la présente garantie seront faites en retournant le produit défectueux au détaillant ou à SIMER dès la découverte de tout défaut allégué. SIMER prendra alors les mesures correctives aussi rapidement qu'il est raisonnablement possible. Aucune demande de service en vertu de la présente garantie ne sera acceptée si elle est reçue plus de 30 jours après l'expiration de la dite garantie.

La présente garantie énonce la totalité des obligations de SIMER et le seul recours possible de l'Acheteur dans le cas de produits défectueux.

SIMER NE SERA TENU RESPONSABLE D'AUCUN DOMMAGE INDIRECT, ACCIDENTEL OU FORTUIT QUEL QU'IL SOIT.

LES PRÉSENTES GARANTIES SONT EXCLUSIVES ET TIENNENT LIEU DE TOUTE AUTRE GARANTIE EXPRESSE. LES GARANTIES IMPLICITES, Y COMPRIS, MAIS SANS S'Y LIMITER, LES GARANTIES IMPLICITES AYANT TRAIT À LA COMMERCIALISABILITÉ ET À L'ADAPTATION À UN USAGE PARTICULIER, NE DÉPASSERONT PAS LA DURÉE DES GARANTIES EXPRESSES APPLICABLES STIPULÉES DANS LES PRÉSENTES.

Certaines provinces n'autorisent pas d'exclure ou de limiter les dommages fortuits ou indirects ou de limiter la durée d'une garantie implicite ; il se peut donc que les limitations ou exclusions ci-dessus ne s'appliquent pas à votre cas. La présente garantie vous donne des droits juridiques spécifiques et vous pouvez en avoir d'autres qui varient d'une province à l'autre.

SIMER • 293 Wright Street • Delavan, WI U.S.A. 53115

Téléphone: 1-800-468-7867/1-800-546-7867 • Télécopieur: 1-800-390-5351

Courrier électronique: info@simerpumps.com • Site Web: <http://www.simerpumps.com>

EMPLACEMENT DE L'UNITÉ

Situer la pompe aussi près que possible (verticalement) de la source hydrique pour maintenir la hauteur d'aspiration (distance entre l'eau et la pompe) aussi basse que possible. Placer la pompe sur un support équilibré. La protéger contre l'humidité et les inondations.

TUYAUTERIE

Les orifices de déversement et d'aspiration sont taraudés pour recevoir des conduits de 1,90cm (3/4"). Si des tuyaux flexibles sont utilisés, opter pour un adaptateur fileté. Pour éviter tout effondrement, n'utiliser qu'un conduit plastique ou un tuyau renforcé pour la voie d'aspiration. Monter une crépine au bout de la voie d'aspiration. Inspecter et nettoyer la crépine régulièrement (voir schéma 1). Des conduits en plastique peuvent être utilisés pour tous les montages.

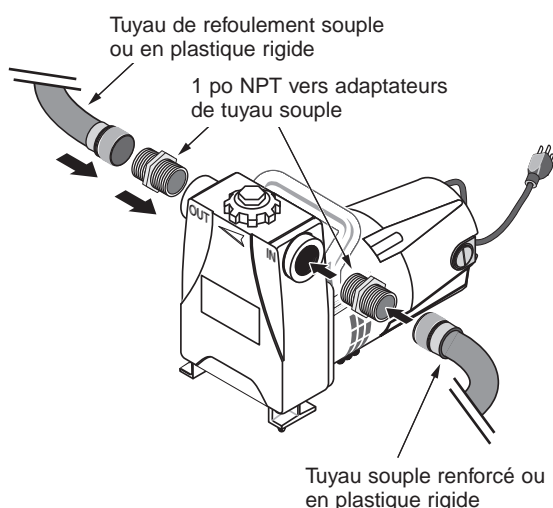


Figure 1: Poser les adaptateurs, puis brancher les tuyaux d'arrivée et de refoulement.

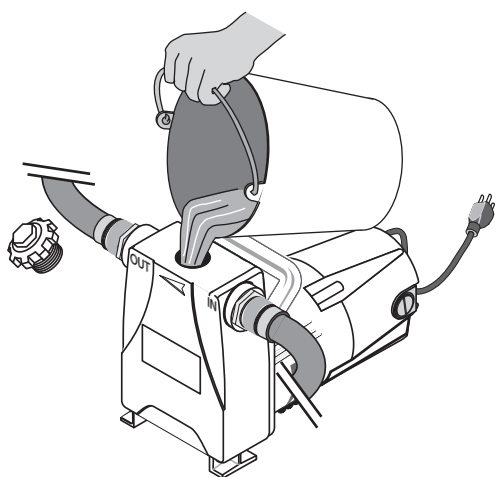
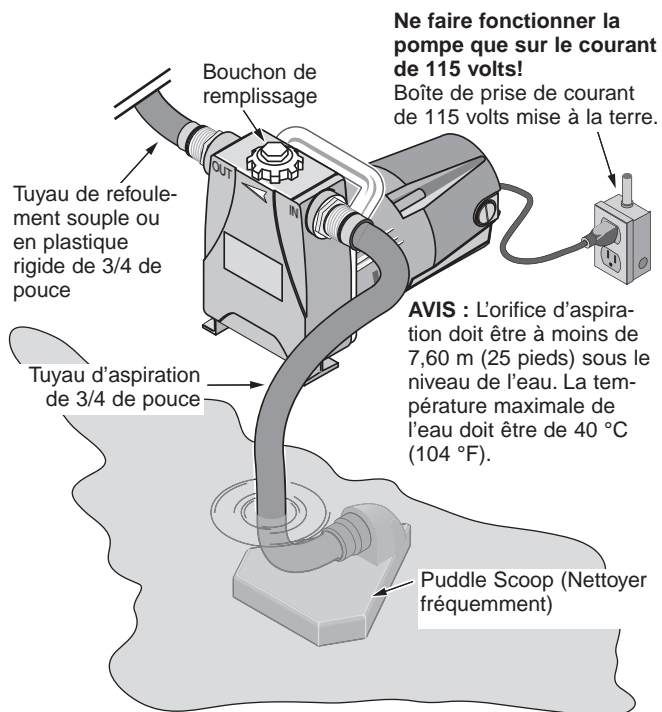


Figure 2: Déposer le bouchon de remplissage, puis remplir d'eau le corps de la pompe. Avant de démarrer la pompe, son corps doit être plein d'eau.



Ne faire fonctionner la pompe que sur le courant de 115 volts!
Boîte de prise de courant de 115 volts mise à la terre.

AVIS : L'orifice d'aspiration doit être à moins de 7,60 m (25 pieds) sous le niveau de l'eau. La température maximale de l'eau doit être de 40 °C (104 °F).

⚠ AVERTISSEMENT Risques de secousses électriques. La pompe et le moteur ne sont pas submersibles. Les garder au sec!

Figure 3: Installation type. S'assurer de brancher la pompe dans une prise de courant mise à la terre. Ne pas immerger la pompe ni le moteur!

AMORCE/FONCTIONNEMENT

AVIS: Ne pas faire fonctionner la pompe à sec. Faire fonctionner la pompe sans eau peut endommager la roue hélice ainsi que le joint, causant des fuites ou des inondations, et entraînera l'annulation de la garantie.

Tous les raccords de la voie d'aspiration doivent être étanches. Veiller à ce que la hauteur d'aspiration n'excède pas 7,6m (25'). Remplir le corps de la pompe par l'orifice d'amorçage avant de mettre en marche. Mettre en marche; l'eau devrait commencer à être pompée dans les 10 minutes (selon la longueur du tuyau d'aspiration et la hauteur de la pompe au-dessus du niveau d'eau).

DONNÉES ÉLECTRIQUES

⚠ AVERTISSEMENT Tension dangereuse
Risque d'électrocution dangereuse, voire mortelle. Débrancher la pompe avant de passer à l'entretien. Ne pas manipuler la pompe, ou y travailler, avec les mains mouillées, en ayant les pieds en contact avec de l'eau ou en se tenant sur un sol mouillé.

Ne brancher la pompe que sur une sortie de 115 volts, 60 cycles. Cette pompe est équipée d'un câble et d'une prise à 3 fils métalliques et à masse. Ne pas modifier, ni ôter, la prise. Ne brancher qu'à une sortie correctement mise à masse. Veiller à ce que le circuit de la pompe réponde bien au code électrique du pays. Pour éviter tout risque d'électrocution, toujours maintenir le câble à sec.

AVIS: Le moteur de la pompe est équipé de brosses en carbone d'une durée de vie normale d'environ 300 heures. Un jeu supplémentaire est inclus et des brosses de rechange sont disponibles auprès de votre détaillant. Ces pièces ne sont pas couvertes par la garantie.

▲ AVERTISSEMENT Risque de feu. Des brosses incorrectement installées peuvent provoquer un feu. S'assurer que la courbe de l'extrémité de la brosse correspond à la courbe du commutateur.

GRAISSAGE

Le moteur est graissé à l'usine pour toute la durée de vie des roulements. Le joint de la pompe est refroidi par eau et à graissage automatique.

ENTRETIEN DE LA POMPE

Le moteur dispose d'une surcharge thermique de remise en marche automatique. Si le moteur surchauffe, la surcharge coupe l'alimentation électrique pour éviter tout dommage et se remet en marche automatiquement après que le moteur ait refroidi. Si la surcharge se déclenche à maintes reprises, en rechercher la cause en inspectant la pompe (faible tension, roue à hélice obstruée, etc...)

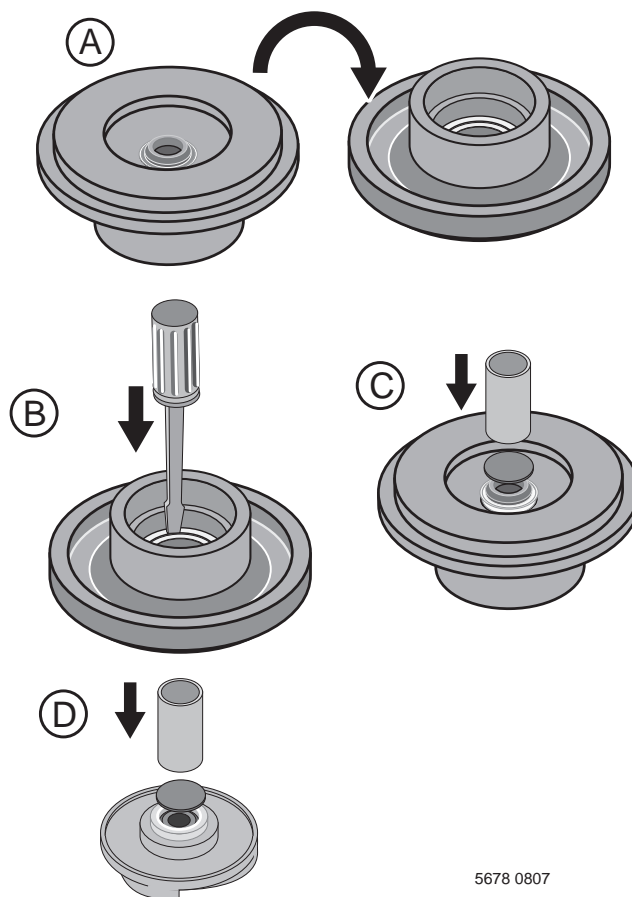
▲ AVERTISSEMENT Tension dangereuse. Peut provoquer des électrocutions, des brûlures et la mort. Débrancher le moteur de l'alimentation en courant avant de passer à l'entretien.

Pour éviter tout danger, toujours remplacer les deux brosses à la fois.

Remplacement du joint

▲ AVERTISSEMENT Tension dangereuse. Débrancher la pompe avant de procéder à ce qui suit.

1. Débrancher la pompe de la prise de courant, puis tous les tuyaux souples ou rigides de la pompe.
2. Pour ne pas briser les balais lorsque l'on déposera l'arbre du moteur, les déposer du moteur. (Voir « Remplacement des balais », page 7, opérations 1. et 2.). Mettre les balais dans un endroit où ils ne risqueront pas d'être perdus ou endommagés.
3. Déposer les quatre (4) vis à l'arrière du corps de la pompe (Réf. 1, page 8), puis séparer le corps de la pompe du moteur. Déposer le joint torique à taille carrée (Réf. 4C) de l'ensemble.
4. Dévisser l'impulseur (Réf. 4A) de l'arbre du moteur, puis le jeter.
5. Sortir la plaque d'étanchéité (Réf. 5) de l'arbre du moteur.
6. Tourner la plaque d'étanchéité à l'envers (voir la Figure 4A) puis, à l'aide d'un tournevis ou d'un petit tube, pousser sur la moitié du joint fixe pour la sortir de la plaque d'étanchéité. (Figure 4B).
7. Poser une rondelle en carton sur le joint pour le protéger, puis, à l'aide d'un tube, pousser la moitié du joint fixe dans la plaque d'étanchéité jusqu'à ce qu'elle repose bien. (Figure 4C). Faire bien attention de ne pas rayer ni endommager la surface polie du joint. Ne pas non plus toucher la surface du joint avec les mains afin de ne pas y déposer de la saleté ni de la graisse.



5678 0807

Figure 4: Remplacement du joint

8. En se servant de la rondelle en carton et d'un tube, pousser la moitié rotative du joint dans l'impulseur neuf, sa surface polie étant orientée vers l'extérieur. (Figure 4D). Faire bien attention de ne pas rayer ni endommager la surface polie du joint. Ne pas non plus toucher la surface du joint avec les mains afin de ne pas y déposer de la saleté ni de la graisse.
9. PRUDEMMENT, glisser la plaque d'étanchéité sur l'arbre du moteur en faisant bien attention de ne pas entailler ni rayer sa surface d'étanchéité.
10. Visser l'impulseur neuf sur l'arbre du moteur en faisant bien attention de ne pas rayer ni endommager sa surface d'étanchéité.
11. Reposer l'arbre du moteur dans le moteur.
12. Poser le joint torique à taille carrée neuf sur la plaque d'étanchéité.
13. Apporter l'ensemble impulseur et moteur jusqu'au corps de la pompe, puis introduire l'impulseur et la plaque d'étanchéité dans le corps de la pompe.
14. Visser les quatre (4) vis dans le corps de la pompe (ne pas oublier de reposer la poignée sur les vis du haut). Bien serrer les vis.
15. Reposer les balais du moteur. (Voir « Remplacement des balais », page 7, opérations 4., 5. et 6.).

Remplacement du cordon électrique

▲ AVERTISSEMENT Tension dangereuse. Avant d'intervenir sur la pompe ou de l'entretenir, débrancher son cordon électrique de la prise de courant. Ne pas modifier le cordon électrique ni sa fiche. Les instructions qui suivent NE CONCERNENT que le remplacement du cordon électrique.

1. Débrancher la pompe de la prise de courant.
2. Dévisser les deux (2) vis de fixation de la plaque du cordon électrique à l'arrière du moteur. Sortir prudemment le cordon électrique de la cavité du moteur.
3. Couper les fils existants côté moteur des sertissures, aussi près que possible des connecteurs (autrement dit, laisser le plus possible de longueur de fils dans le moteur).
4. Dénuder l'extrémité de tous les fils sur 5/8^e de pouce.
REMARQUE : Rebrancher les fils avec des serre-fils spécifiés pour 2 fils de calibre 16 AWG. (Se reporter au sachet des serre-fils).
5. Brancher le fil vert (de terre) du cordon électrique avec le fil vert (de terre) du moteur. Brancher le fil noir (sous tension) du cordon électrique avec n'importe quel fil noir du moteur. Brancher le fil blanc (neutre) du cordon électrique avec l'autre fil noir du moteur.
6. Après avoir effectué les connexions, les vérifier attentivement pour s'assurer qu'aucun fil de cuivre nu n'est exposé. Si un fil nu est exposé, déposer le serre-fil et refaire la connexion.
7. Dès qu'on est sûr qu'aucun fil nu n'est exposé, pousser prudemment les fils et les serre-fils dans la cavité du moteur.
8. Immobiliser la plaque du cordon électrique contre le moteur, puis reposer les vis. Bien les serrer, mais pas exagérément!
9. Lorsque le remontage est terminé, POSER LA POMPE À TERRE (c'est-à-dire qu'il ne faut pas la toucher), puis brancher son cordon électrique dans la prise de courant (très brièvement pour ne pas endommager le joint de l'arbre) afin de s'assurer que tout fonctionne correctement et qu'il n'y a pas de court-circuit.
10. La pompe est maintenant prête à fonctionner.

Remplacement des balais du moteur (voir page 7 « Comment procéder pour remplacer les balais »):

Remplacer les balais lorsque leur longueur n'est plus que de 9,5 mm (3/8^e de pouce).

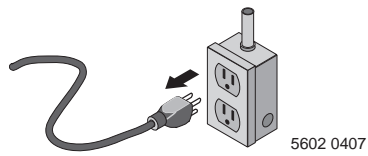
1. Débrancher la pompe de la prise de courant.
2. Dévisser les bouchons des porte-balais, puis déposer les balais.

REMARQUE : Sortir bien droit les balais de leur porte-balai en faisant bien attention de ne pas étirer le ressort. Si les mêmes balais sont reposés, les repérer, ainsi que leur bouchon, afin de les reposer dans leur position d'origine.

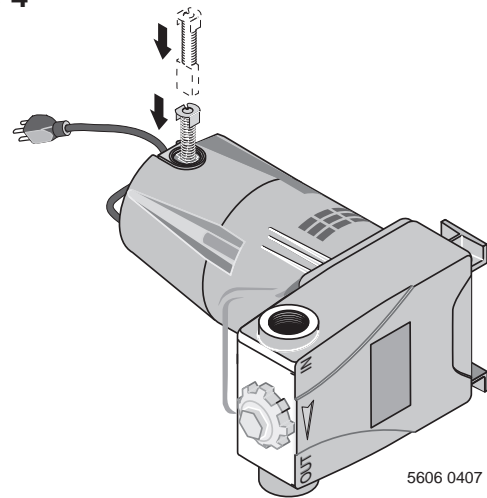
3. Poser les ensembles balais, porte-balais et bouchons neufs en place.

REMARQUE : Si on réutilise les mêmes balais, reposer chaque balai sur le même côté du moteur qu'à l'origine en faisant correspondre sa courbe avec celle du collecteur.

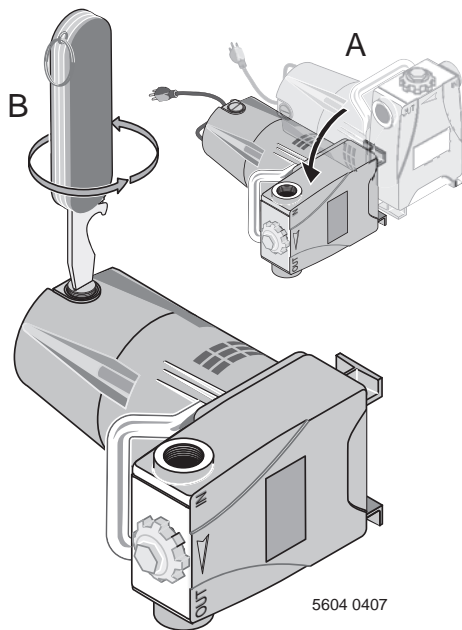
Étape 1



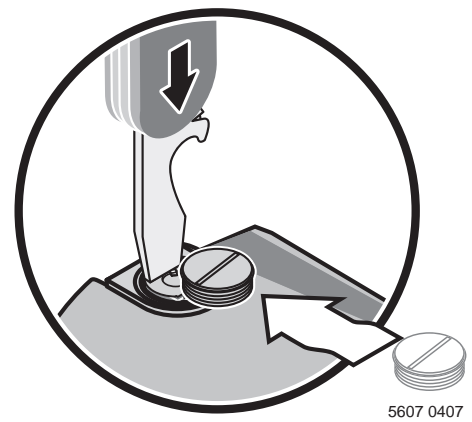
Étape 4



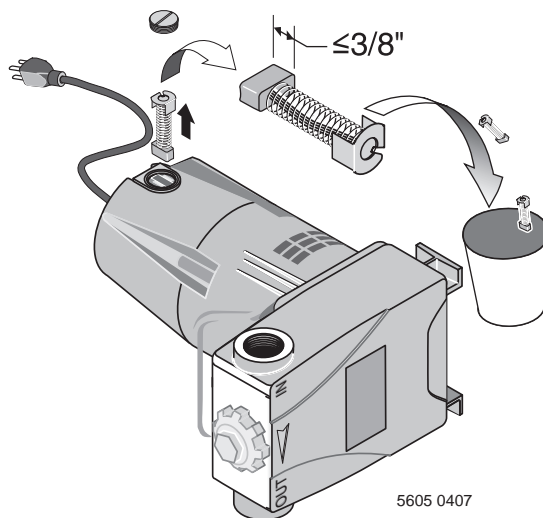
Étape 2



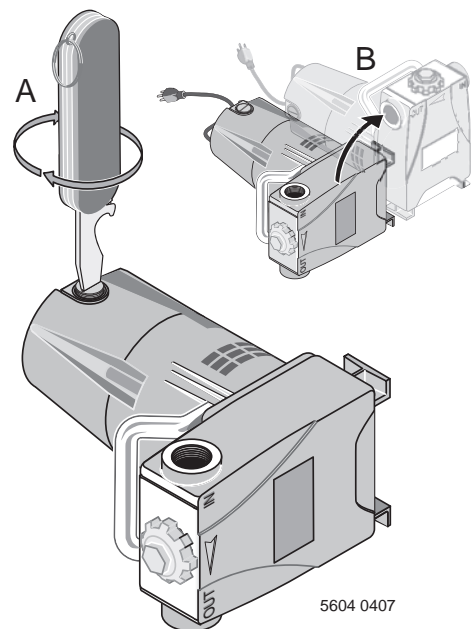
Étape 5

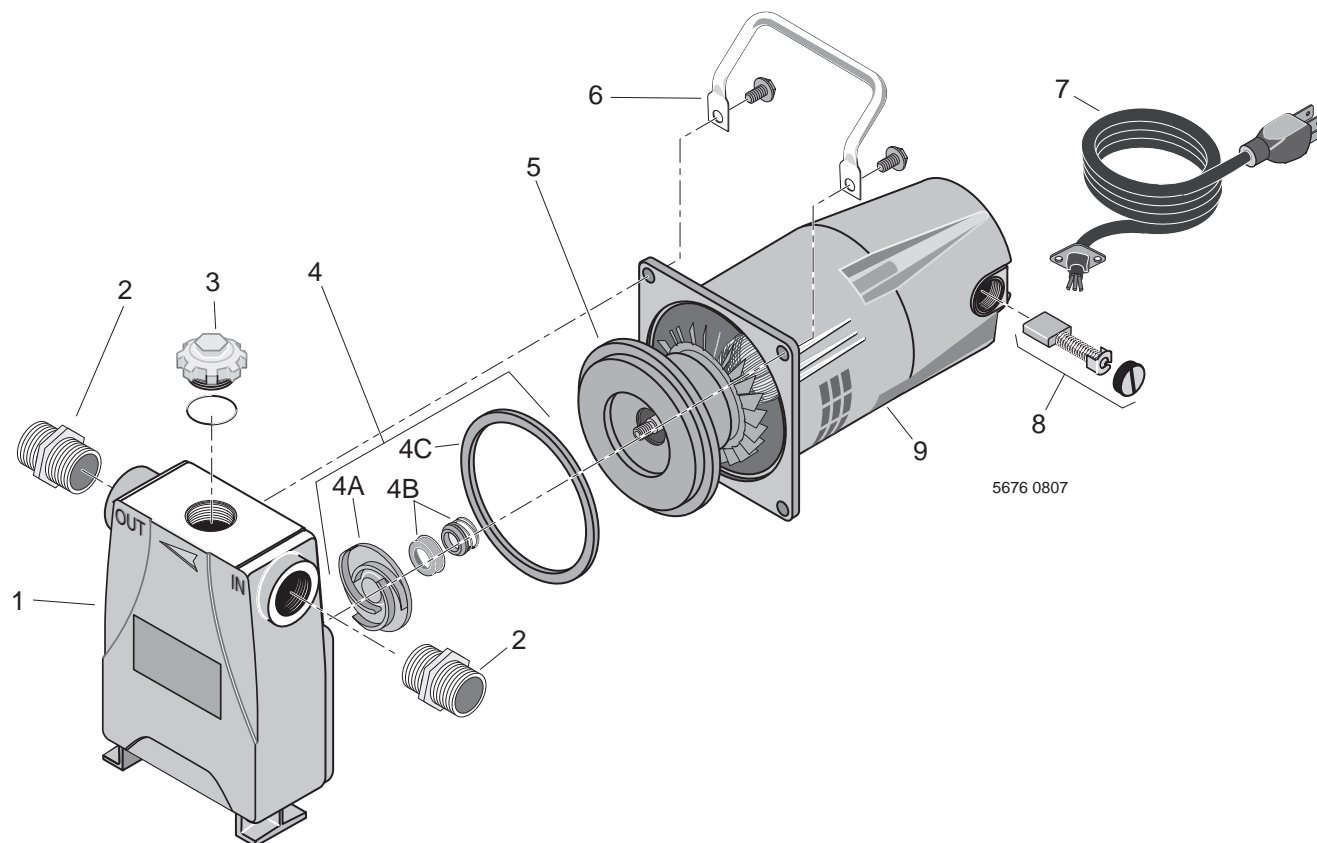


Étape 3



Étape 6





Pièces de rechange — Modèle 4850C

Réf.	Désignation des pièces	Qté	Numéros de pièce
1	Corps de la pompe	1	*
2	Adaptateur de tuyau d'arrosage de 3/4 de pouce NPT x 3/4 de pouce	2	†
3	Bouchon de remplissage	1	**
4	Trousse de réparation (comprend Réf. 4A, 4B et 4C)	1	FPPKG 225-P2
4A	Impulseur	1	***
4B	Joint d'arbre	1	***
4C	Joint torique à taille carrée	1	***
5	Plaque d'étanchéité	1	***
6	Poignée et fixations	1	C54-30
7	Cordon électrique	1	PS17-1507
8	Trousse de balais (comprend 1 paire de balais, les ressorts et les bouchons)	1	FPPKG 226-P2
9	Moteur	1	*

* Si le corps de la pompe ou si le moteur tombe en panne, remplacer la pompe au complet.

** **REMARQUE** : Le filetage du bouchon de remplissage n'est pas le même que celui des orifices d'arrivée et de refoulement. Le bouchon de remplissage n'est pas interchangeable avec l'adaptateur du tuyau d'arrosage (Réf. 2).

*** Ces pièces ne sont pas vendues séparément.

† À acheter localement.

Lea y siga cuidadosamente todas las instrucciones de seguridad en este manual o en la bomba.

⚠ Este es el símbolo de alerta de seguridad. Cuando vea este símbolo en la bomba o en este manual, fíjese en una de las siguientes palabras indicadoras y esté alerta a posibles lesiones personales.

⚠ PELIGRO Este símbolo advierte sobre peligros que **causarán** lesiones personales graves, la muerte o daños materiales importantes en caso de no respetarse.

⚠ ADVERTENCIA Este símbolo advierte sobre peligros que **pueden causar** lesiones personales graves, la muerte o daños materiales importantes en caso de no respetarse.

⚠ PRECAUCIÓN Este símbolo advierte sobre peligros que **causarán o pueden causar** lesiones personales menores o daños materiales importantes en caso de no respetarse. La palabra **AVISO** indica instrucciones especiales importantes que no están relacionadas con peligros.

1. A fin de evitar riesgos de lesiones graves y daños materiales importantes, lea detenidamente las instrucciones de seguridad antes de instalar la bomba.
2. Respete los códigos eléctricos y de plomería locales y nacionales al instalar la bomba.

3. **⚠ ADVERTENCIA** Para evitar descargas eléctricas fatales, haga lo siguiente en caso de que sea necesario efectuar operaciones de servicio en la bomba:
 - A. **Desconecte la corriente de la caja de distribución de la bomba antes de desenchufar el cordón de la bomba.** Después de desenchufarla, déjela enfriar durante 20 minutos antes de tratar de trabajar en la misma.
 - B. **Tenga mucho cuidado al cambiar fusibles.** Para reducir la posibilidad de descargas eléctricas fatales, **NO SE QUEDE PARADO** en lugares mojados ni meta los dedos en el receptáculo de los fusibles.
 - C. **Conecte a tierra** la caja de distribución eléctrica.
 - D. Para el cordón de alimentación **use solamente una toma de corriente conectada a tierra protegida por un interruptor accionado por corrientes de pérdida a tierra.**
4. **No haga funcionar nunca la bomba en seco.** Esto puede ocasionar daños en las piezas internas y recalentar la bomba (que puede causar quemaduras a las personas que manipulen o efectúen operaciones de servicio en la bomba), además de anular la garantía.
5. **⚠ ADVERTENCIA** Peligro de incendio o explosión debido a chispas producidas por las escobillas del motor. No bombee gasolina ni ningún otro líquido inflamable. No use la bomba en una atmósfera que pueda contener humos o vapores inflamables.
6. No bombee productos químicos o líquidos corrosivos.

⚠ ADVERTENCIA



Voltaje peligroso. Puede producir descargas eléctricas, quemaduras o causar la muerte

Conecte la bomba a tierra antes de conectarla a la fuente de alimentación.

⚠ La bomba tiene un cordón de puesta a tierra de 3 conductores. Conecte solamente a una toma de corriente conectada a tierra protegida por un interruptor accionado por corrientes de pérdida a tierra. No levante la bomba por el cordón eléctrico. No use un cordón de alargue.

⚠ La bomba no es sumergible. Mantenga el motor seco en todo momento. No lave el motor. No lo sumerja. Proteja el motor contra la intemperie.

⚠ Desenchufe la bomba antes de efectuar el servicio.

⚠ ADVERTENCIA Si queda atrapada agua en la bomba durante la operación, puede convertirse en vapor, produciendo una explosión y quemaduras. No haga funcionar nunca la bomba con la salida cerrada o bloqueada.

AVISO

Utilice la bomba con agua limpia solamente. Para evitar que se obstruya la bomba y se dañe el sello del eje, no bombee agua que contenga sólidos, partículas extrañas, arena, limo o materiales abrasivos. Tenga instalado siempre el filtro de succión cuando la bomba esté operando. Si no se usa el filtro se puede producir la falla de la bomba además de anular la garantía.

Limpie el filtro y lave por dentro la bomba con agua abundante después de usarla.

Cerciórese de que todas las mangueras y conexiones de la tubería de succión estén bien apretadas. Si entra aire en la línea de succión la bomba no se cebará y disminuirá su rendimiento.

Para impedir que se dañen los materiales de la bomba no use compuestos para juntas de tuberías en los orificios de la bomba. Use solamente cinta de teflón o Plasto-Joint-Stik* para sellar las roscas.

Apriete todas las tuberías en la bomba con la mano + 1 1/2 vueltas solamente. Si aprieta demasiado las tuberías se puede romper la bomba y se anulará la garantía.

La temperatura máxima del líquido es de 120°F (48.8°C).

*Lake Chemical Co., Chicago, Illinois

	⚠ ADVERTENCIA
	Peligro de descarga eléctrica fatal si se moja el motor de la bomba. Mantenga el motor seco. No sumerja en agua la bomba o el motor ni haga funcionar la bomba con el motor mojado.

Gracias por adquirir una bomba de calidad superior que ya ha sido probada en la fábrica.

	Página
Seguridad General	16
Garantía.....	17
Instalación	18–20
Procedimiento para cambiar las escobillas	21
Refacciones.....	22

ADHIERA AQUÍ EL RECIBO ORIGINAL PARA VALIDACION DE GARANTÍA

SIMER garantiza al comprador consumidor original (“Comprador”) de sus productos, que éstos se encuentran libres de defectos de material o mano de obra.

Si dentro de los doce (12) meses de la fecha original de la compra cualquiera de los productos demostrara estar defectuoso, el mismo será reparado o reemplazado, a opción de SIMER con sujeción a los términos y condiciones expuestos a continuación. Se requiere su recibo original de compra para determinar si se encuentra bajo garantía.

Excepciones a la Garantía por Doce (12) Meses

Producto/Modelo No.	Período de garantía
M40P, M40, BW85P, CM10, CMK	90 días
2330, 2300, 2310, 2955, 2956, 2957, 2960, A5500	2 años
Bombas de pozo sumergibles de 4”, 3984, 3983, 2975PC, 2958, 2985, 3075SS	3 años
Tanque precargado del sistema de agua, 3986, 3985, 2956	5 años
3988, 3995, 3997, 3963	De por vida

Términos y Condiciones Generales

El comprador debe pagar todos los gastos de mano de obra y transporte necesarios para reemplazar el producto cubierto por esta garantía. Esta garantía no se aplicará a hechos de fuerza mayor, ni se aplicará a los productos que, a juicio exclusivo de SIMER, hayan sido objeto de negligencia, abuso, accidente, aplicaciones contraindicadas, manejo indebido, alteraciones; ni debido a instalación, funcionamiento, mantenimiento o almacenamiento incorrectos; ni a ninguna otra cosa que no sea su aplicación, uso o servicio normales, incluyendo, pero no limitado a, fallas operacionales causadas por corrosión, oxidación u otros elementos extraños en el sistema, o funcionamiento a presión por encima del máximo recomendado.

Los pedidos de servicio bajo los términos de esta garantía serán efectuados mediante la devolución del producto defectuoso al Vendedor o a SIMER, tan pronto como sea posible, después de localizado cualquier supuesto defecto. SIMER tomará luego acción correctiva, tan pronto como sea razonablemente posible. Ningún pedido de servicio bajo esta garantía será aceptado si se recibe más de 30 días después del término de la garantía.

Esta garantía establece la obligación única de SIMER y el remedio exclusivo del comprador en el caso de productos defectuosos.

SIMER NO SERÁ RESPONSABLE POR NINGÚN DAÑO CONSECUENTE, INCIDENTAL O CONTINGENTE DE NINGUNA NATURALEZA.

LAS GARANTÍAS ANTERIORES SON EXCLUSIVAS Y REEMPLAZAN CUALESQUIERA OTRAS GARANTÍAS EXPRESAS. LAS GARANTÍAS IMPLÍCITAS, INCLUYENDO, PERO NO LIMITADAS A LAS GARANTÍAS IMPLÍCITAS DE COMERCIABILIDAD Y APTITUD PARA UN PROPÓSITO EN PARTICULAR, NO DEBERÁN EXCEDER EL PERÍODO DE DURACIÓN DE LAS GARANTÍAS EXPRESAS APLICABLES AQUÍ PROVISTAS.

Algunos estados no permiten la exclusión o limitación de daños incidentales o consecuentes ni las limitaciones respecto a la duración de garantías implícitas; de modo que las limitaciones o exclusiones precedentes pueden no aplicarse en su caso. Esta garantía le concede derechos legales específicos. Usted puede tener, además, otros derechos que varían de un estado a otro.

SIMER • 293 Wright Street • Delavan, WI U.S.A. 53115

Teléfono: 1-800-468-7867/1-800-546-7867 • Fax: 1-800-390-5351

e-Mail (correo electrónico): info@simerpumps.com • Dirección web: <http://www.simerpumps.com>

UBICACIÓN DE LA UNIDAD

Coloque la bomba lo más cerca posible (verticalmente) de la fuente de agua, de modo que la altura de succión (distancia del agua a la bomba) sea lo más baja posible. Mantenga la bomba nivelada y protéjala contra los excesos de humedad y las inundaciones.

TUBERÍAS

Tanto el orificio de succión como el de descarga están roscados para conectar tuberías de 3/4". Si se usan mangueras, use un adaptador de rosca de manguera a tubería. Para impedir que colapse la línea de succión, use tubería o manguera reforzada para la línea de succión solamente. Instale el filtro o Puddle Gulper (placa colectora) en un extremo de la línea de succión. Inspeccione y limpie el filtro frecuentemente (Figura 1). Se pueden usar tuberías de plástico para todas las instalaciones.

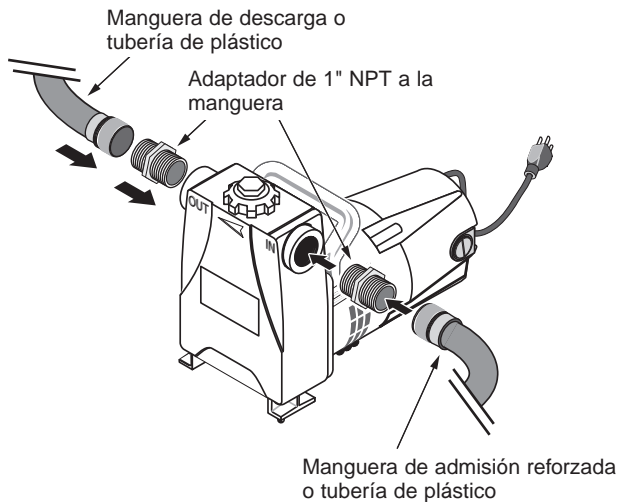


Figura 1: Instale los adaptadores y conecte las mangueras de admisión y de descarga.

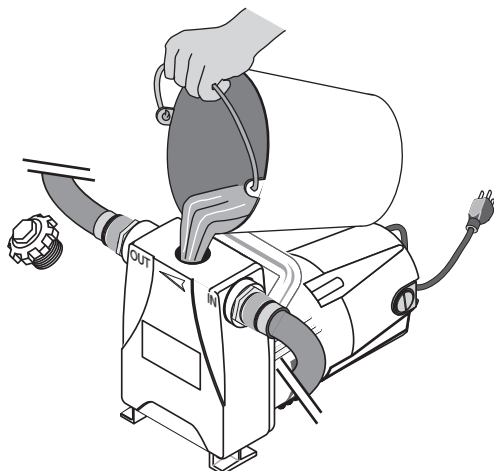
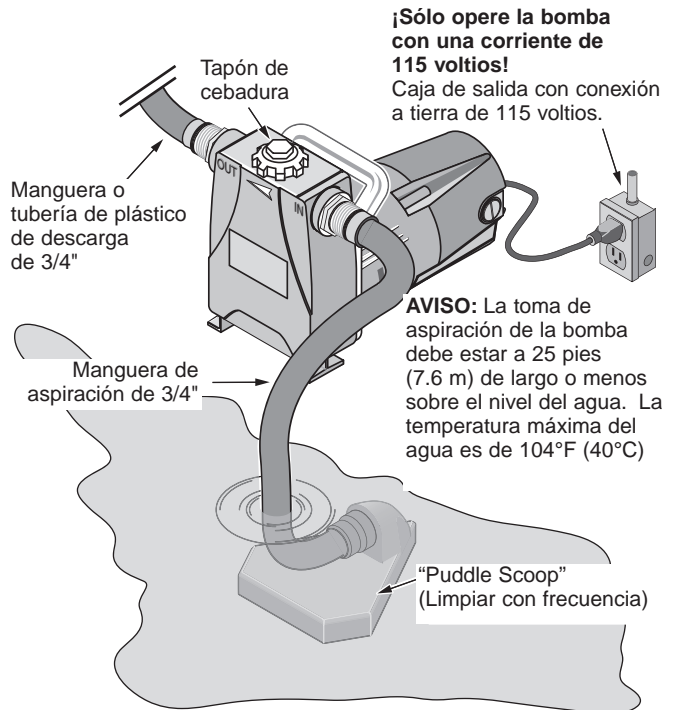


Figura 2: Saque el tapón de cebadura y llene la unidad de la bomba con agua. ¡La bomba debe estar llena de agua antes de encenderla!



¡Sólo opere la bomba con una corriente de 115 voltios!
Caja de salida con conexión a tierra de 115 voltios.

AVISO: La toma de aspiración de la bomba debe estar a 25 pies (7.6 m) de largo o menos sobre el nivel del agua. La temperatura máxima del agua es de 104°F (40°C)

⚠ ADVERTENCIA Peligro de choque eléctrico. La bomba y el motor no son sumergibles. ¡Manténgalos secos!

Figura 3: Instalación típica. Verifique que haya conectado la bomba a un tomacorriente con puesta a tierra. ¡No sumerja la bomba ni el motor!

CEBADO Y OPERACIÓN

AVISO: No haga funcionar la bomba en seco. Si se hace funcionar la bomba sin agua se puede dañar el rodete y el sello, produciéndose fugas e inundaciones, además de anularse la garantía.

Todas las conexiones de succión deben ser herméticas. Cerciórese de que la altura de succión no sea mayor que 7,6 m (25 pies). Llene el cuerpo de la bomba por el orificio de cebadura antes de arrancar la bomba. Arranque la bomba; debe empezar a bombear agua en menos de 10 minutos (dependiendo de la longitud de la manguera de succión y de la altura de la bomba por encima del nivel de agua).

SISTEMA ELÉCTRICO

⚠ ADVERTENCIA Riesgo de descarga eléctrica peligrosa o mortal. Desenchufe la bomba antes de efectuar el servicio de la misma. No toque la bomba ni intente trabajar en la misma con las manos mojadas o estando parado sobre un suelo mojado.

Enchufe la bomba solamente en una toma de corriente de 115 voltios y 60 ciclos. La bomba está equipada con un cordón de 3 conductores conectado a tierra y un enchufe. No modifique ni quite el enchufe. Enchufe el cordón en una toma de corriente conectada a tierra de forma adecuada. Cerciórese de que el circuito de la bomba satisfaga el Código Eléctrico Nacional. Mantenga el cordón seco en todo momento a fin de evitar descargas eléctricas peligrosas.

AVISO: El motor de la bomba está equipado con escobillas de carbón con una duración de operación de aproximadamente 300 horas. Se incluye un conjunto de escobillas adicional. Las escobillas de repuesto las puede obtener en su distribuidor. Las escobillas del motor no están incluidas en la garantía.

▲ ADVERTENCIA Peligro de incendio. Las escobillas mal colocadas pueden provocar incendios. Cerciórese de que la curva del extremo de las escobillas corresponda a la curva del conmutador.

LUBRICACIÓN

El motor se lubrica en fábrica para la duración total de los cojinetes. El sello de la bomba está enfriado por agua y se lubrica por sí solo.

SERVICIO DE LA BOMBA

El motor tiene una sobrecarga térmica de reposición automática. Si se recalienta el motor, la sobrecarga cortará la corriente para impedir daños y reconectará el circuito después de enfriarse el motor. Si la sobrecarga se desconecta de forma repetida, examine la bomba para averiguar la causa (bajo voltaje, rodete atascado, etc.).

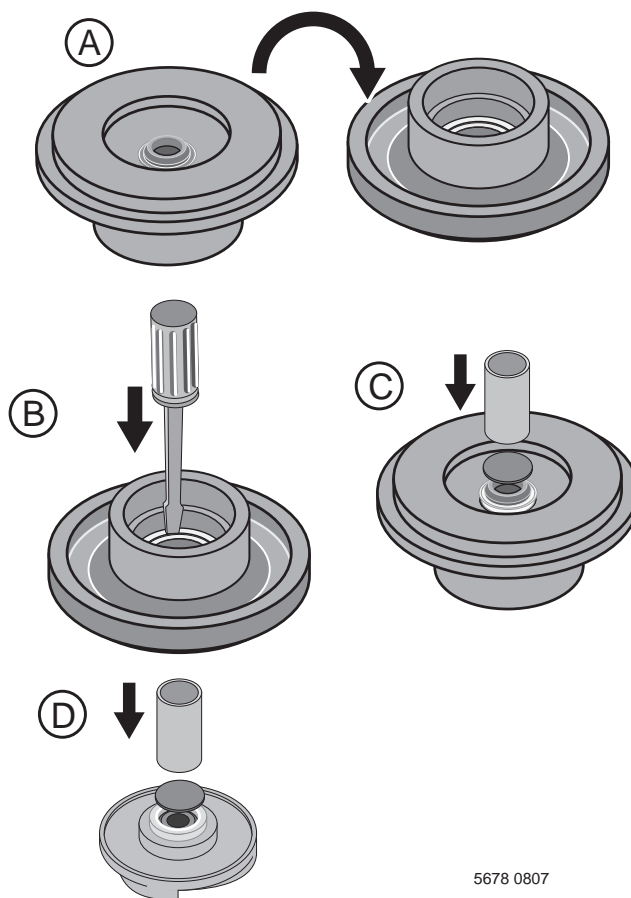
▲ ADVERTENCIA Voltaje peligroso. Puede producir descargas eléctricas, quemaduras o causar la muerte. Desconecte la corriente eléctrica del motor antes de efectuar el servicio de la bomba.

Reemplace siempre ambas escobillas para evitar peligros de incendio. No reemplace nunca una sola escobilla.

Procedimiento para cambiar la junta

▲ ADVERTENCIA Tensión peligrosa. Desenchufe la bomba antes de continuar.

- Desenchufe la bomba del tomacorriente y saque todos los tubos o mangueras de la bomba.
- Para evitar romper las escobillas cuando saque o cambie el eje del motor, saque las escobillas del motor (consulte el "Procedimiento para cambiar las escobillas" en la página 21, pasos 1 y 2). Coloque las escobillas en donde no se puedan perder o dañar mientras usted continúa.
- Saque los 4 tornillos de la parte posterior de la unidad de la bomba (Referencia No. 1, Página 22) y retire la unidad de la bomba del motor. Saque el aro tórico de corte recto usado (Referencia No. 4C) de la unidad.
- Destornille el impulsor (Referencia No. 4A) del eje del motor y descártelo.
- Saque la placa de estanqueidad (Referencia No. 5) del eje del motor.
- Coloque la placa de estanqueidad boca abajo (consulte la Figura 4A) y use un destornillador o un tubo pequeño para empujar la mitad fija de la junta y sacarla de la placa de estanqueidad (Figura 4B).
- Coloque una arandela de cartón sobre la cara de la junta para protegerla y use un tubo para empujar la mitad fija de la junta dentro de la placa de estanqueidad hasta que quede asentada (Figura 4C). Asegúrese de no rayar ni estropear la cara pulida de la junta. Además, mantenga las manos alejadas de la cara de la junta para impedir que se ensucie o se engrase.



5678 0807

Figura 4: Procedimiento para cambiar la junta

- Use la arandela de cartón y el tubo para empujar la mitad giratoria de la junta en el nuevo impulsor, con la cara pulida hacia afuera (Figura 4D). Asegúrese de no rayar ni estropear la cara pulida de la junta. Además, mantenga las manos alejadas de la cara de la junta para impedir que se ensucie o se engrase.
- Deslice CUIDADOSAMENTE la placa de estanqueidad nuevamente sobre el eje del motor, asegurándose de no cascar ni rayar la cara de la junta en el proceso.
- Enrosque el nuevo impulsor en el eje del motor, asegurándose de no cascar ni rayar la cara de la junta en el proceso.
- Vuelva a instalar el eje del motor en el motor.
- Instale el nuevo aro tórico de corte recto en la placa de estanqueidad.
- Traiga la unidad del impulsor/motor hacia la unidad de la bomba e introduzca el impulsor y la placa de estanqueidad en la unidad de la bomba.
- Instale los 4 tornillos en la unidad (asegúrese de volver a instalar la manija en los tornillos superiores) y apriételos firmemente.
- Vuelva a colocar las escobillas del motor (consulte el "Procedimiento para cambiar las escobillas", en la Página 21, Pasos 4, 5, y 6).

Reemplazo del cordón

⚠ ADVERTENCIA Tensión peligrosa. **Desenchufe la bomba antes de trabajar o de repararla.** No trate de modificar el cordón o el enchufe: estas instrucciones son SOLO para cambiar el cordón.

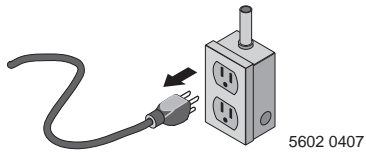
1. Desenchufe la bomba.
2. Destornille los dos tornillos que sujetan la placa del cordón a la parte posterior del motor. Jale suavemente del cordón para sacarlo de la cavidad del motor.
3. Corte los cables presentes del lado del motor de los pliegues, tan cerca de los conectores como sea posible (es decir, deje todo el cable que pueda en el motor)
4. Pele todos los cables hasta unos 5/8" del extremo de los mismos.
NOTE: Haga las conexiones con conectores de cables diseñados para conectar cables 2 #16 AWG (consulte el paquete de las tuercas de cables).
5. Conecte el cable verde (a tierra) desde el motor. Conecte el cable negro (caliente) desde el cordón a cualquiera de los cables negros del motor. Conecte el cable blanco (neutro) del cordón al cable negro restante del motor.
6. Después de haber hecho las conexiones, verifíquelas cuidadosamente para asegurarse de que no hayan hilos de cobre desnudos. Si ve un hilo desnudo, desconecte el conector del cable y vuelva a hacer la conexión.
7. Cuando esté seguro de que no haya hilos expuestos, cuidadosamente introduzca los cables y los conectores del cable nuevamente en la cavidad del motor.
8. Sostenga la placa del cordón contra el motor y vuelva a instalar los tornillos. Apriételes firmemente, ¡pero no demasiado!
9. Cuando haya terminado de ensamblarla, **DEJE LA BOMBA EN POSICIÓN** (es decir, no la toque) y enchúfela (muy brevemente, para evitar dañar la junta del eje) para verificar que todo esté debidamente conectado y no haya cortocircuitos.
10. La bomba está lista para funcionar.

Reemplazo de las escobillas del motor (Consulte el Procedimiento para cambiar las escobillas, página 21:

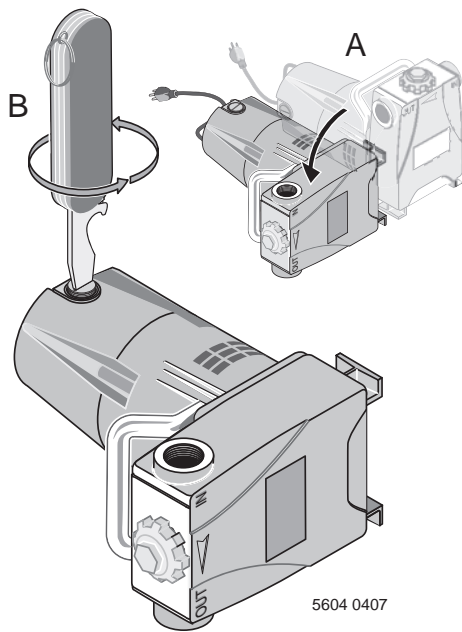
Reemplace las escobillas cuando se hayan desgastado hasta medir 9,5 mm (3/8") de largo.

1. Desenchufe la bomba de la toma de corriente.
2. Desatornille las tapas de las escobillas y saque las escobillas.
AVISO: Saque las escobillas de los portaescobillas tirando recto de las mismas y teniendo cuidado de no estirar los muelles. Si se vuelven a usar las mismas escobillas, marque la escobilla y su tapa correspondiente para poder volver a colocarlas en la posición original.
3. Instale nuevas escobillas y tapas de escobillas.
AVISO: Al volver a instalar las mismas escobillas que se desmontaron, colóquelas en el mismo lado del motor en que estaban originalmente. Haga corresponder la curva de los extremos de las escobillas con la curva del conmutador.

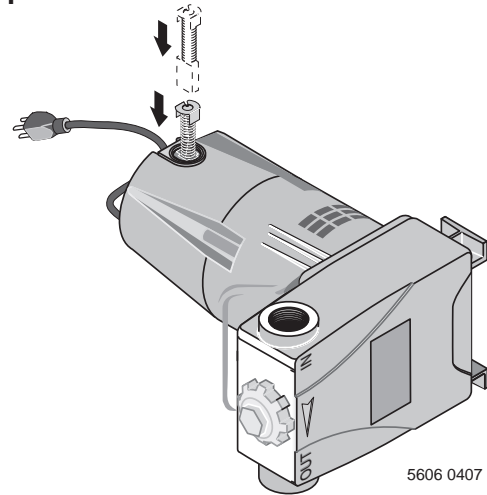
Paso 1



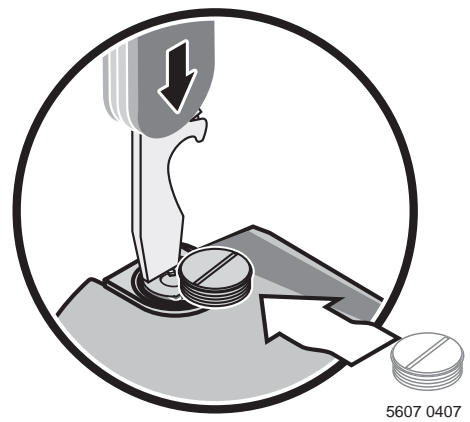
Paso 2



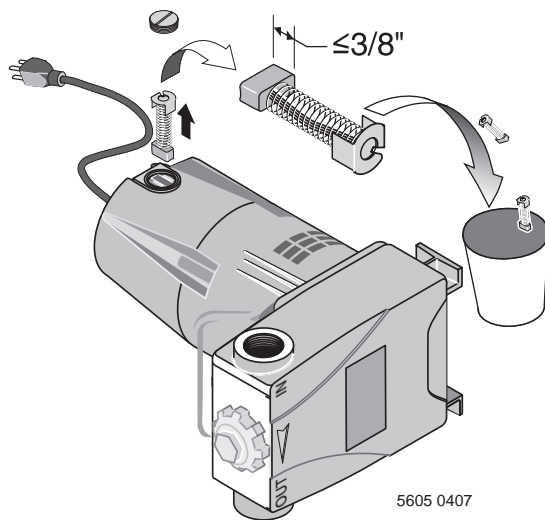
Paso 4



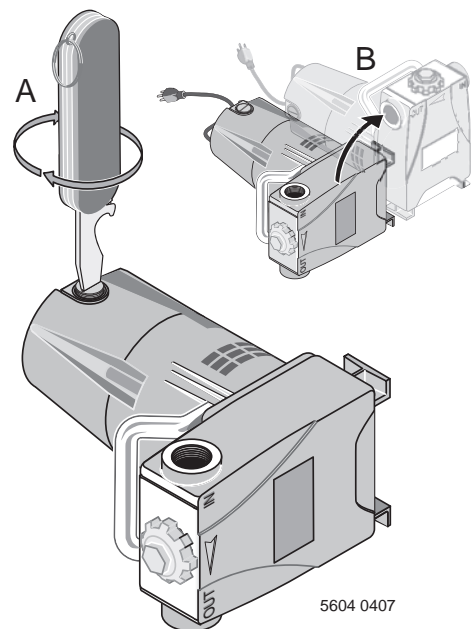
Paso 5

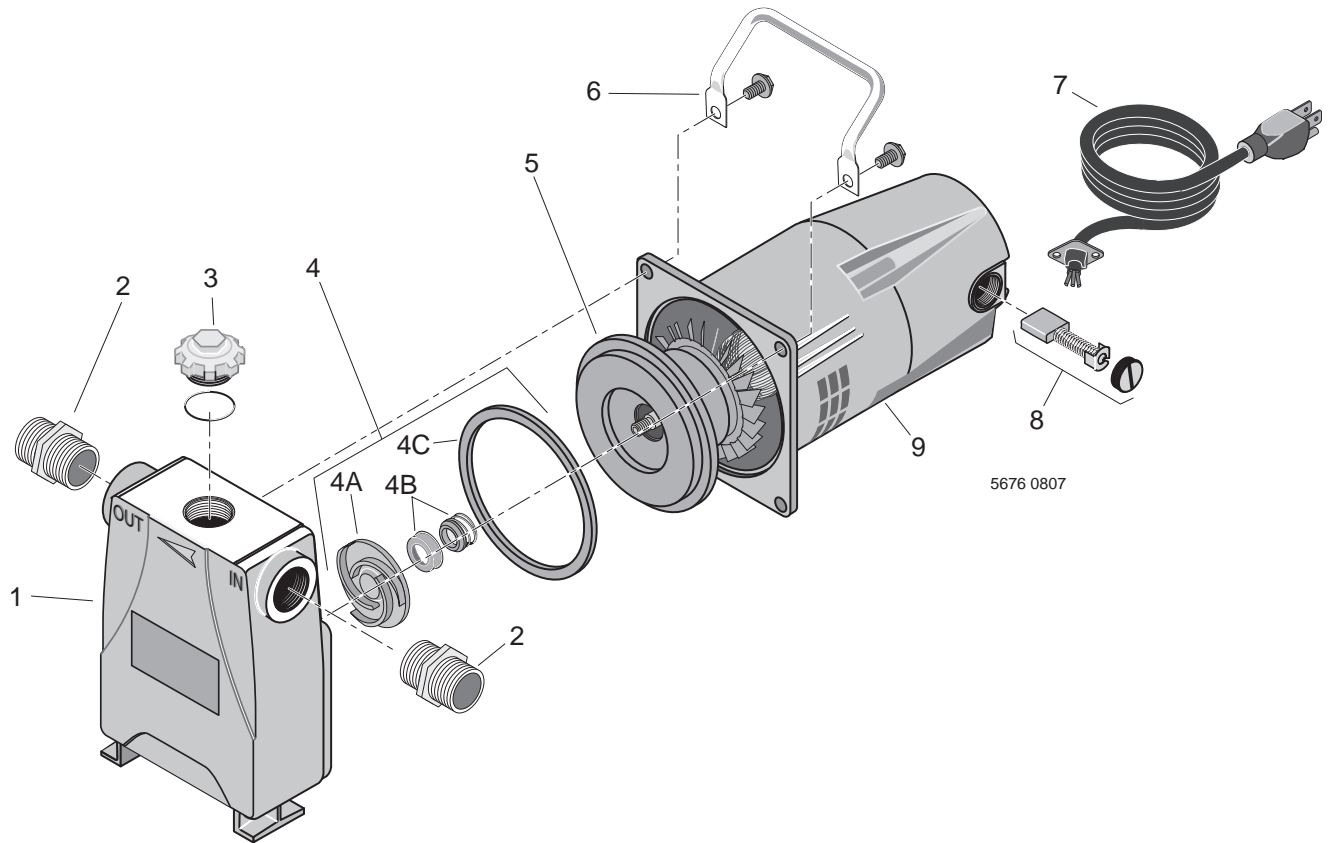


Paso 3



Paso 6





Piezas de repuesto — Modelo 4850C

Ref. No.	Descripción de la pieza	Cantidad	Número de pieza
1	Unidad de la bomba	1	*
2	Adaptador para manguera de jardín de 3/4" NPT x 3/4"	2	†
3	Tapón de llenado	1	**
4	Juego de revisión (Incluye 4A, 4B, 4C)	1	FPPKG 225-P2
4A	Impulsor	1	***
4B	Junta del eje	1	***
4C	Aro tórico de corte recto	1	***
5	Placa de estanqueidad	1	***
6	Mango con accesorios de ferretería	1	C54-30
7	Cordón eléctrico	1	PS17-1507
8	Juego de escobillas (Incluye 1 par de escobillas con resortes y casquetes de retención)	1	FPPKG 226-P2
9	Motor	1	*

* Si la Unidad de la bomba o el motor fallan, reemplace toda la bomba.

** **NOTA:** Las roscas del tapón de llenado no concuerdan con las roscas de admisión o de descarga; el tapón de llenado no se puede intercambiar con el adaptador para manguera de jardín (Referencia No. 2).

*** No disponible por separado.

† Adquirir localmente.

