

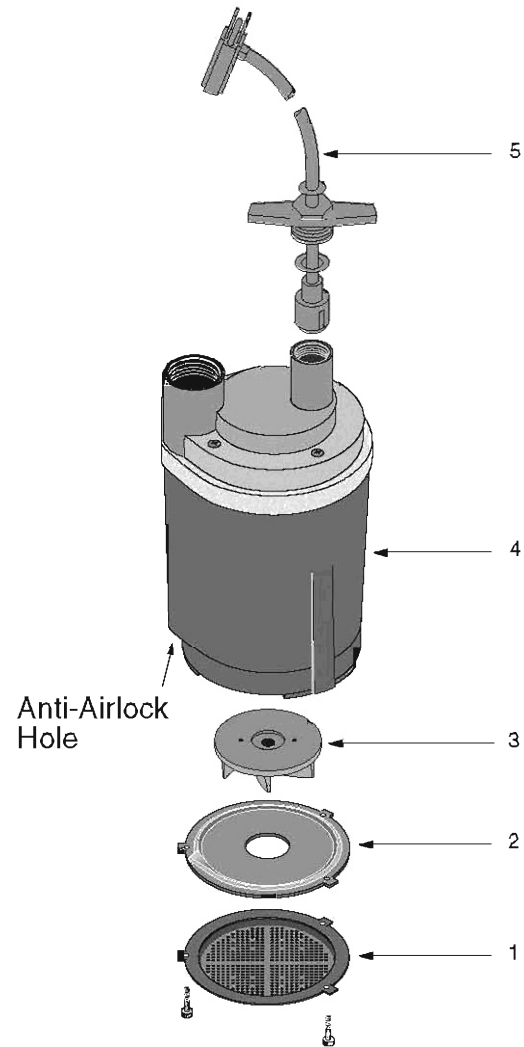
REPAIR PARTS

Key	Part Description	Qty.	Part No.
1	Screen	1	PS8-6P
2	Shield	1	PS70-3P
3	Impeller	1	PS5-25P
4	Motor	1	**
5	Power Cord	1	PS117-51-TSU
•	Garden Hose Adapter	1	FT0013-43

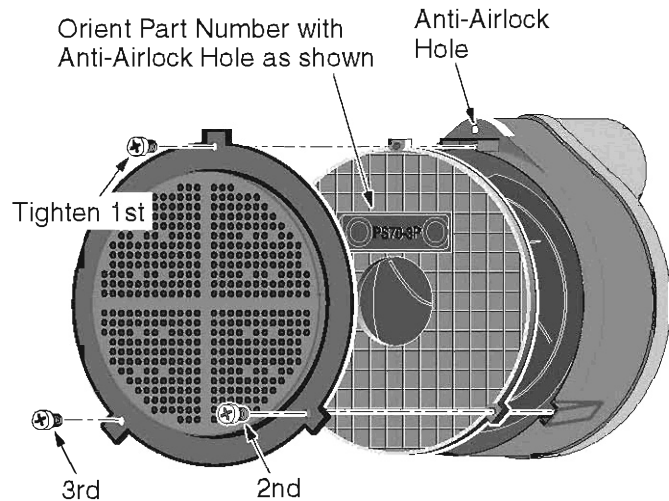
NOTICE: To purchase a check valve, call Customer Service at 1-800-468-7867 and order part number PW73-63.

** If motor fails, replace entire pump.

• Not Illustrated.



5125 0905



Assemble Screen and Shield as shown.