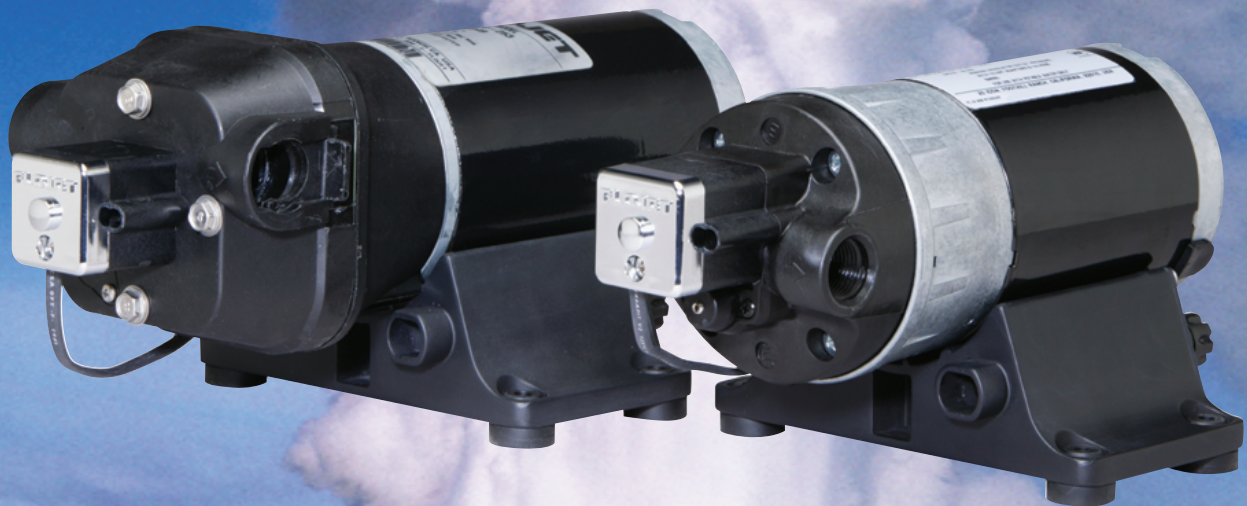


# FLOJET®

FLOJET DUPLEX II SERIES VSD  
FLOJET QUAD SERIES VSD

## INTRODUCING THE FLOJET AC VARIABLE SPEED DRIVE PUMP SERIES



**Quad Model**

**Duplex II Model**

Flojet



**ITT Industries**  
*Engineered for life*

## The Flojet AC VSD Series Pumps

The Flojet AC VSD Pumps automatically adjust in real time to changes in flow due to the number of valves in operation, filter back pressure, and changes in working fluid viscosity... so you don't have to.

The pumps match motor speed to system demand. As the demand for fluid increases, the motor responds to increase flow. Conversely, as the demand lessens, the motor slows to a "super quiet" speed, always maintaining a constant system pressure. The result is exceptionally stable flow and reduced amp draw.

The new Flojet AC VSD pumps provide stable, constant-pressure operation on any AC application. Operation from no flow to maximum flow is proportionally controlled, eliminating unwanted pump switch cycling and the need for an accumulator tank.

## SPECIAL FEATURES

- Maintains steady fluid pressure in response to variable flow demand
- High pressure (80 psi / 5.5 bar) and low pressure (45 psi / 3.1 bar) models available
- No pressure switch
- Conserves energy, low amp draw
- Quiet running under normal use
- Automatically adjusts motor speed to maintain constant system pressure
- Improves overall system performance
- Eliminates need for bulky accumulator tank
- Excellent solution for limited space requirements

## MODEL NUMBERS

### Duplex II Models (Pump with VSD Module)

D3635H8011A	115 VAC	3 12" Wires
D3835H8011A	115 VAC	Cable with Plug

### Quad Models (Pump with VSD Module)

04520043A	115 VAC	3 12" Wires
04520500A	115 VAC	Cable with Plug

## SPECIFICATIONS - DUPLEX II VSD

Pump Design	Positive Displacement Diaphragm (2 Piston)
Power Source	AC
Materials	Polypropylene housing, Santoprene* diaphragm, EPDM** check valves
Fluid Temperature Limits	130° F (55° C)
Weight	5.61 lbs. (2.54 kg.)
Motor	Permanent Magnet Rectified
Amp Draw, 115 V	0.85 Amps (Max draw @ 80 PSI / 5.5 bar)
Flow Rate, 115 V	1.9 GPM (7.3 LPM) - Open Flow
Voltages	115 V
Cycles	60 Hz
Recommended Duty Cycle	Intermittent
Dimensions	3.63" H x 4.00" W x 8.38" L (92 mm x 102 mm x 213 mm)

UL listed

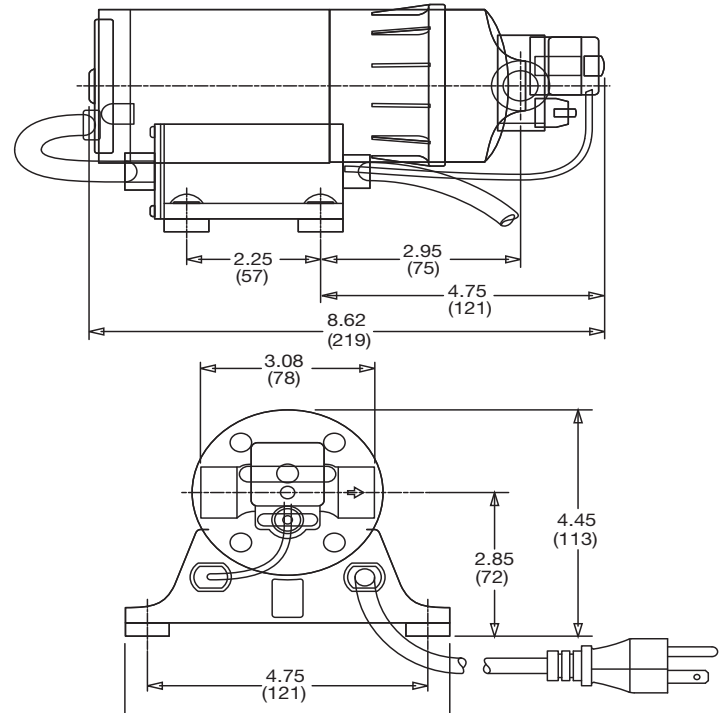
NSF Standard 18

\* A Registered trademark of Monsanto Co.

\*\* Consult factory for other materials or voltage options

## DIMENSIONS inches (mm)

### Duplex II Model



## SPECIFICATIONS - QUAD VSD

Pump Design	Positive Displacement Diaphragm (4 Piston)
Power Source	AC
Materials	Polypropylene housing, Santoprene* diaphragm, EPDM** check valves
Fluid Temperature Limits	130° F (55° C)
Weight	6.63 lbs. (3.0 kg.)
Motor	Permanent Magnet Rectified
Amp Draw, 115 V	1.50 Amps (Max draw @ 45 PSI / 3.1 bar)
Flow Rate, 115 V	5.0 GPM (18.8 LPM) - Open Flow
Voltages	115 V
Cycles	60 Hz
Recommended Duty Cycle	Intermittent
Dimensions	3.75" H x 6.30" W x 9.00" L (95 mm x 160 mm x 221 mm)

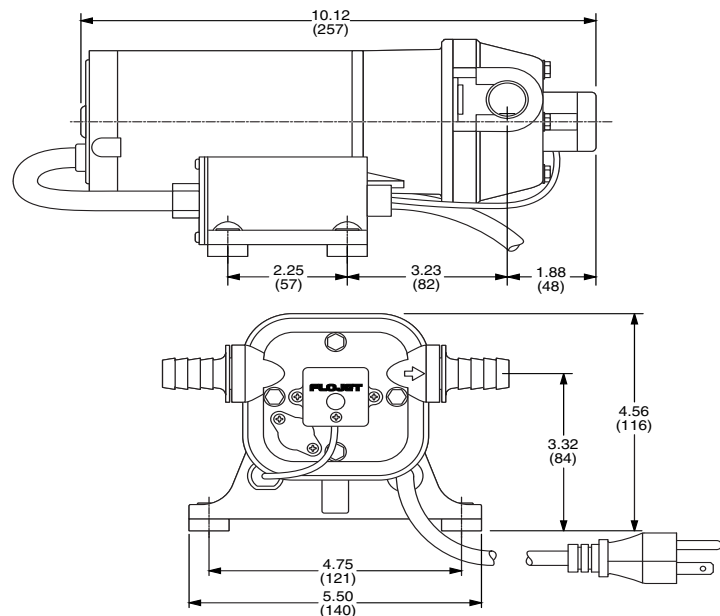
UL listed

NSF pending

\* A Registered trademark of Monsanto Co.

\*\* Consult factory for other materials or voltage options

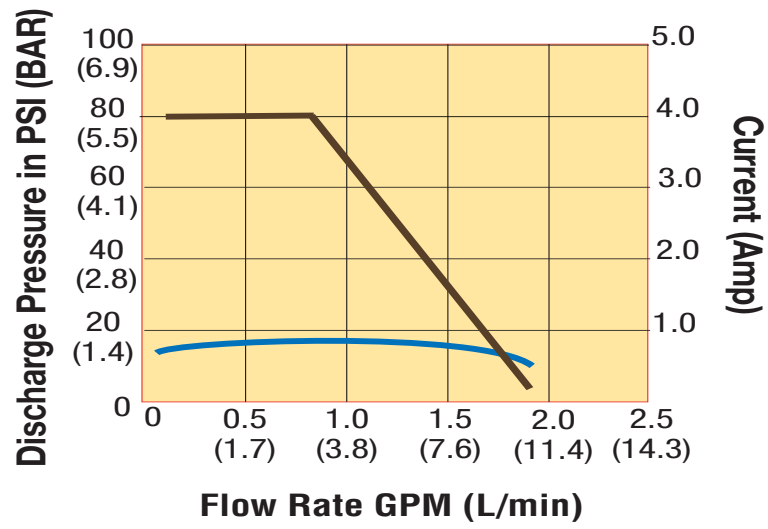
### Quad Model



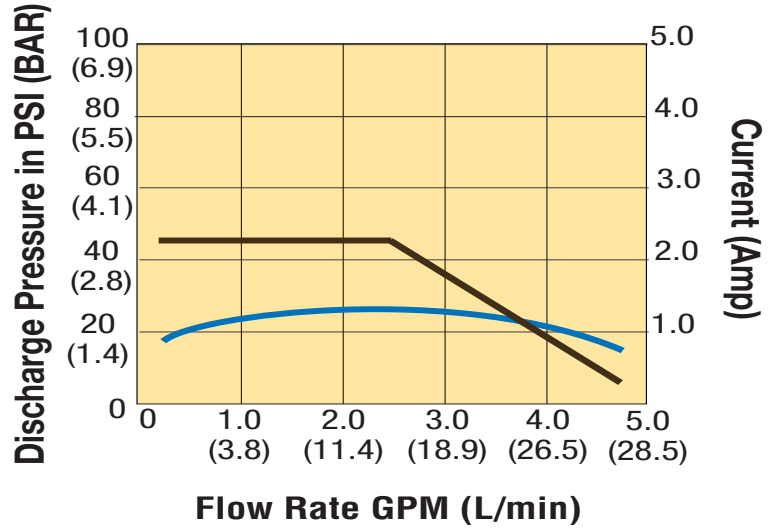
# SENSOR-CONTROLLED PUMPS WITH VARIABLE SPEED DRIVE TECHNOLOGY

## PUMP PERFORMANCE

### Duplex II 115VAC, 60 Hz



### Quad 115VAC, 60 Hz



Flojet www.flojet.com



For further information, contact your FLOJET representative, or write to:

<p>U.S.A. Flojet 20 Icon Foothill Ranch, CA 92610 Tel: 949.859.4945 Fax: 949.859.1153</p>	<p>UNITED KINGDOM Flojet Bingley Road, Hoddesdon Hertfordshire EN11 OBU Tel: +44 (0) 1992 450145 Fax: +44 (0) 1992 467132</p>	<p>CANADA Fluid Products Canada 55 Royal Road Guelph, Ontario N1H 1T1 Tel: 519 821.1900 Fax: 519 821.2569</p>	<p>JAPAN NHK Jabsco Company Ltd. 3-21-10, Shin-Yokohama Kohoku-Ku, Yokohama, 222 Tel: 045.475.8906 Fax: 045.475.8908</p>	<p>GERMANY Jabsco GmbH Oststrasse 28 22840 Norderstedt Tel: +49-40-53 53 73 -0 Fax: +49-40-53 53 73 -11</p>	<p>ITALY Jabsco Marine Italia Via Tommaseo, 6 20059 Vimercate, Milano Tel: +39 039 685 2323 Fax: +39 039 666 307</p>
---	---	---	--	---	--