

Owners Installation, Operation, and Safety Manual

FILL-RITE®

TN700 and TN800 Series Nutating Disc Meters

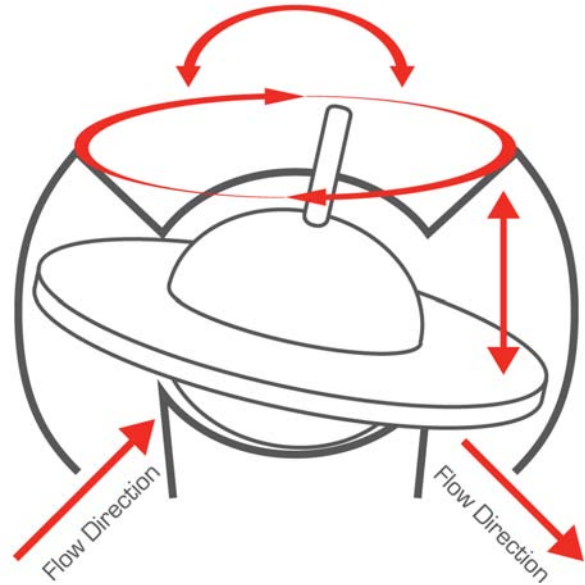
Anodized aluminum case, PPS measuring chamber, Viton seals.

Principle of Operation

All positive displacement flow meters utilize either rotors or vanes to separate meter inlet & outlet. These rotors/vanes divide the liquid stream into clearly defined segments, which can be counted.

The nutating disc metering principle is based on a 'wobble plate' rotor with a ball in the center, and a drive shaft at 90° centered in the ball. As liquid is pushed through the measuring chamber, the plate wobbles on the center, turning the drive shaft in a circular motion. This motion is used to either drive a mechanical register, or turn a magnet under the pulse pick-up in the electronic version of the flow meter.

Nutating disc meters are sensitive to viscosity changes. Each meter is factory calibrated for operation in a specific viscosity range.



Operating Conditions, Fluid Compatibility & Pressure/Temperature

Operating the flow meter in excess of its maximum design capacity, can cause excessive wear or premature failure.

In many cases it is necessary to consider all operating conditions in combination. In addition to liquid, pressure & flow rate, correct material/seal selection often depends upon % concentration, pH value & operating temperature.

If in doubt about compatibility of a specific fluid, please refer to the Chemical Compatibility List, or consult with Customer Care to verify compatibility of chemicals with the wetted materials.

The flow meter should not be operated in excess of pressure rating. Care should be taken to eliminate the possibility of thermal or hydraulic shock conditions.

At elevated temperatures (> 120°F = 50°C), meter pressure rating is reduced. Please consult with Customer Service for pressure rating at higher operating temperatures.

All TN700 & TN800 Series models are factory calibrated for service on liquids with viscosity within a specific range. To use a flow meter on a another liquid with different viscosity characteristics, will typically require a different set of gears in the ratio gear plate, plus calibration.

Installation & Operation

SAFETY INSTRUCTIONS

SAFETY INSTRUCTIONS

SAFETY INSTRUCTIONS

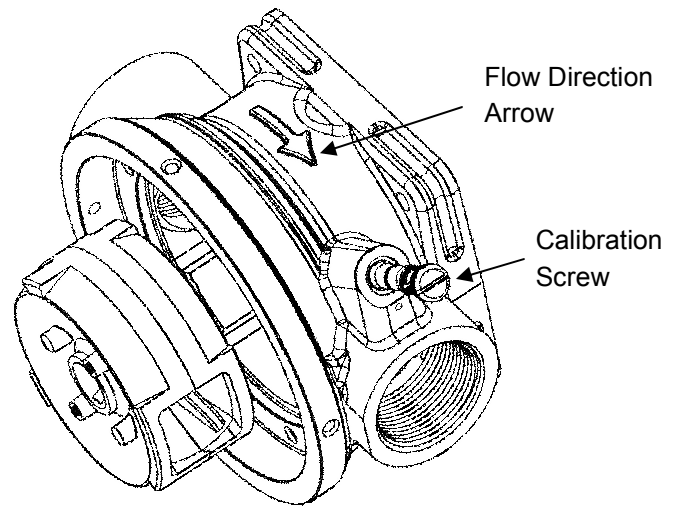
Make sure that all necessary safety precautions have been taken. Wear proper clothing, personal safety equipment and prepare fire safety equipment if required. Before Start-Up of the flow meter, make certain that:

- 1** The flow meter is properly mounted, secured and piped. See **Installation Instructions**.
- 2** All connections are tight.
- 3** All bleed and drain valves are closed.
- 4** Do **NOT** smoke near the flow meter, or use the flow meter, near an open flame when metering flammable liquids. Fire or Explosion could result.
- 5** This flow meter is not intended for use in systems requiring 3A sanitary equipment.

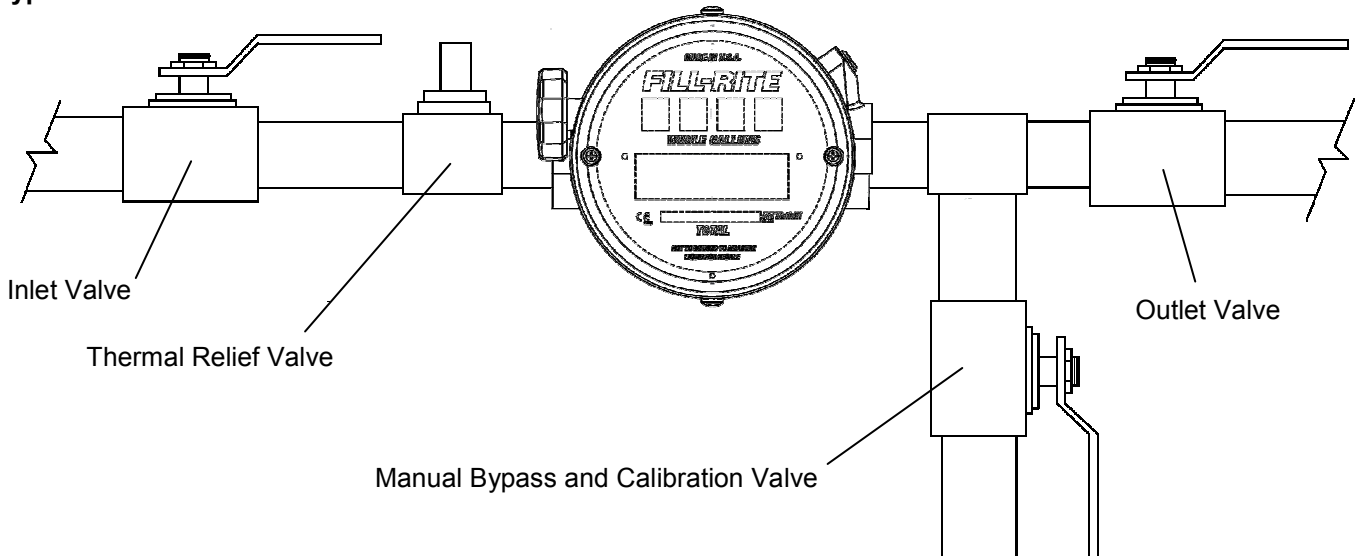
Installation Instructions

When designing the pipe system, it is important to include following considerations:

- How to keep air out of the system once operating. PD meters will run on air, but air is recorded as liquid and it may result in damage to flow meter. Presence of air is a contributing factor to 'water hammer' conditions.
- Hydraulic shock can damage system components, either directly or as cumulative effect of many small shocks. Design the system to avoid excessive liquid velocity, long supply lines & sudden valve closure.
- Liquid expansion due to minor temperature changes can result in line pressure many times normal, if relief valves are not installed. A **thermal relief valve** is required in any system segment, where the meter can be trapped between two closed valves.
- Direction of flow can be Left-to-Right, Right-to-Left or Up. The flow meter can face either up or out. However, do NOT run this flow meter backwards (see “Flow Direction Arrow” on meter case).
- In critical process service, block valves and a bypass are recommended. This allows the flow meter to be serviced without interruption of flow.
- Means for flow meter calibration should be included. This can be:
 - A single connection to divert liquid into a proving can.
 - A dual connection separated by a valve, to permit hook-up of a master meter.
- Future maintenance and service for both flow meter & strainer; both components can be serviced in-line, provided that there is room to work.



Typical TN Meter Installation



Positive displacement (PD) meters are designed to operate full of liquid. The meter should be installed in a location, where it remains **full of liquid** at all times. It may be installed in vertical lines, provide that liquid flows up.

Use a strainer on inlet side of PD meters, as protection against foreign particles. This strainer is not intended to clean up general contamination, but to catch welding slag, pipe scale or similar, which might damage or jam the flow meter.

Protective caps installed in meter ports should be left in place, until you are ready to install in the piping system. Before installation, check that no packing material has entered the flow meter.

Installation (cont'd)

The flow meter must be installed in the system free of pipe stress. Pipe stress can deform the flow meter chamber, resulting in loss of accuracy. TN Series meters should be secured to a mounting support. Never use the piping as the sole source of support.

Apply pipe compound to the male threads. **Do NOT use PTFE sealing tape.**

Flush the system prior to installation of the flow meter.

Start-Up & Operation

SLOWLY fill the system with liquid, to avoid operation on air or vapors. Do **NOT** pump at full capacity until **all** air has been purged. We recommend that:

- Throttle the valve on flow meter inlet side, and allow the system to fill slowly by gravity.
- Open the outlet valve. Start the pump, and then slowly open the inlet valve. In this manner slowly fill the flow meter before fully operating the inlet and outlet valves.

The flow meter is not designed to operate on air, but the design and materials of construction allow for operation on vapor for short periods of time, without damage to flow meter internals. Overspeeding and operation with 'water hammer' conditions are likely to cause damage to the flow meter.

Shutdown Instructions

If the meter is to be shut down for an extended period of time, it is recommended that the measuring chamber of the meter be thoroughly flushed out to prevent the settling out of un-dissolved chemicals or the accumulation of corrosive deposits.

Flow Meter Calibration

- Fill-Rite Meters are calibrated prior to shipment. TN Series meters are calibrated for viscosity of a specific liquid, but we recommend flow meters be recalibrated after installation. Please see procedure outlined below.
- There are no fixed rules for frequency of re-calibration. Flow meter wear is a function of flow rate vs. model size, total volume metered, liquid lubricity and liquid viscosity. An annual re-calibration is often suggested, but from 6 to 36 months could be correct.
- Maintain records of re-calibration data. By tracking degree of change in each re-calibration, you can monitor when the flow meter should be serviced with a new measuring chamber (when degree of change increases significantly).
- When re-calibrating, we recommend testing the flow meter on the normal fluid of operation. If system flow rate is constant, you can test at this flow rate only. If system flow rate fluctuates, you should test at high, intermediate and low flow rates.

Mechanical Register:

1. You can test against a prover, a master meter or a scale. To test against a scale, select a calibration vessel with capacity equal to at least 60 seconds of flow. **Short run tests are not acceptable for re-calibration purposes.**
2. Run 3 tests at each flow rate, and use the average value to calculate flow meter error (see below).
The calibration screw has approx. 6% range (+/-3%). If meter error exceeds 3%, a gear change is necessary.
 - If the register is showing **too little**, turn the calibration screw to the **right**.
 - If the register is showing **too much**, turn the calibration screw to the **left**.
3. Run 1-2 more tests to confirm that the flow meter is now in calibration.
4. Record % correction in flow meter file, and return the flow meter to service.

Calculating meter error:

Test 3 times, so any test with operator error will stand out. Reject such results, and use the average of the remaining results for calculation purposes.

Preventative Maintenance

Preventative maintenance consists of periodic inspection and cleaning procedures. The procedures should be performed at regular intervals and any defects discovered should be corrected before further operation of the flow meter.

Maintenance



Periodic Inspection

Visually inspect the flow meter for missing hardware, loose or leaking connections, broken register glass, or other signs of wear or deterioration. Repair or replace components as required.

Cleaning

Clean all dust, dirt, grease, moisture, or other foreign materials from the exterior of the flow meter and any applicable accessories.

Servicing

The following instructions are for removal, inspection, and installation of flow meter parts or assemblies. Refer to illustrations on the parts / kits list (pages 6-8) for component numbers. The TN series meter is designed to be easy to service, with the meter body remaining

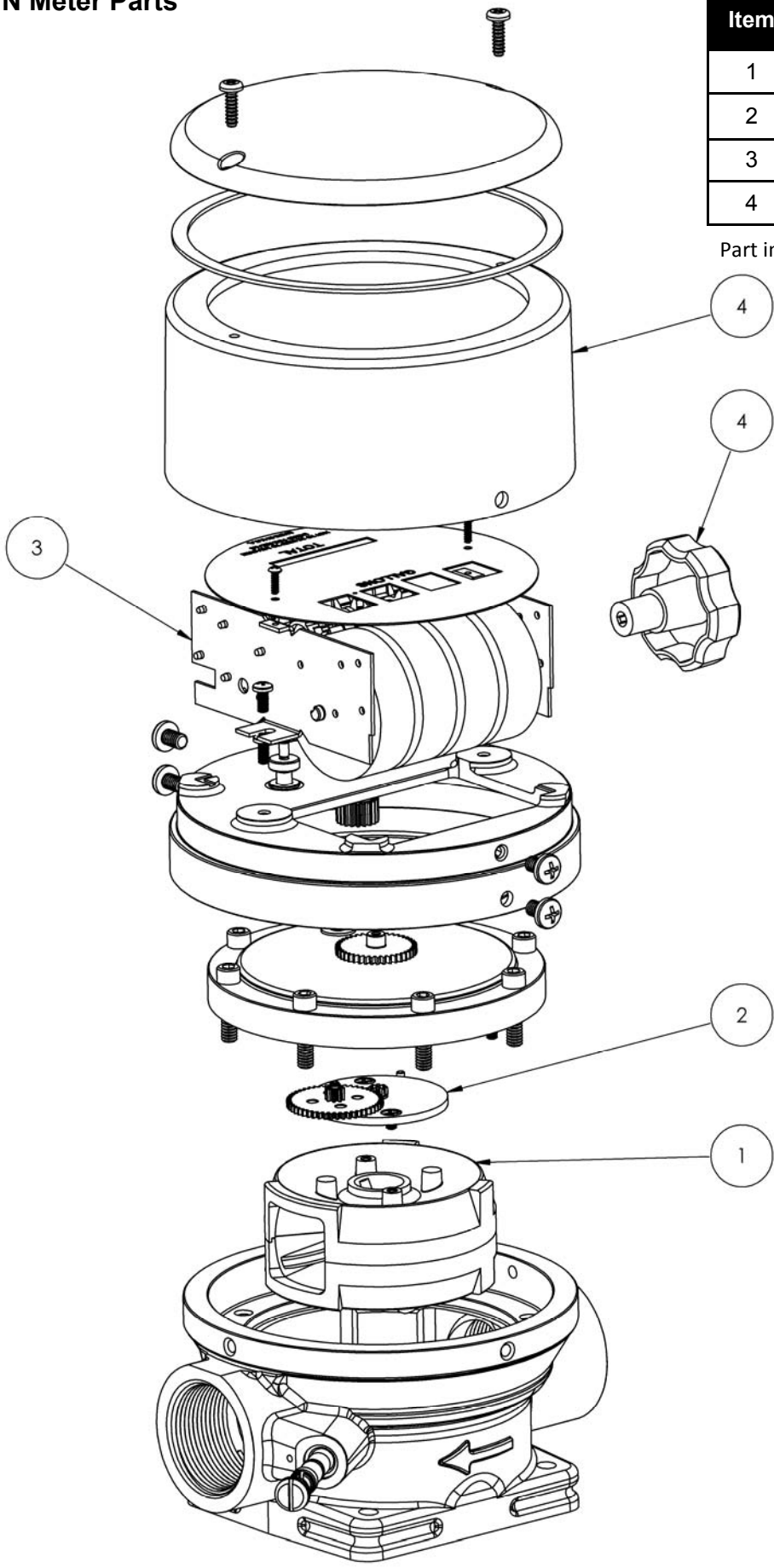
Meter Assembly

1. Shut off flow to the meter. Place a container under the meter of sufficient size and correct material to capture any fluid that escapes during pressure relief and removal.
2. Open the Manual Bypass Valve (see diagram page 3)
3. Disassemble the meter by removing the reset knob on the side of the meter, then remove the two Phillips head screws holding the register housing (#4 on diagram page 6). This will allow access to the register (item #3) to service those components.

Troubleshooting

Condition	Probable cause and Solution
Liquid is flowing slower or has stopped flowing.	<ul style="list-style-type: none"> • Clogged strainer upstream of the flow meter. Clean strainer. • Partially or fully closed valve upstream or downstream of flow meter. Open valve. • Malfunctioning valve upstream or downstream of flow meter. Service valve. • Pump failure. Service pump. • Meter jammed by foreign particles. Clean meter and add strainer upstream. • Meter frozen by chemicals or water seepage into the meter. Open meter and clean components; inspect for damage and repair as necessary.
Cracks in control plate assembly.	<ul style="list-style-type: none"> • Drive gear has come unscrewed from flow meter being operated with flow reversed. Replace damaged components and reinstall flow meter to insure correct flow direction. • Pump bypass not adjusted properly. Re-adjust as necessary. • Overspeeding or water hammer conditions.
Leakage from meter cover.	<p>Seal has been damaged, usually due to:</p> <ul style="list-style-type: none"> • Shock pressure. Replace seal and inspect cover for damage. • Seal has been pinched or nicked. Replace seal (PTFE seals should be replaced anytime the meter is opened). • Chemical attack. Check seal material against liquid for compatibility. Replace seal as required with compatible seal. • Cover bolts not tightened sufficiently. Re-torque as necessary.
Liquid is flowing but flow is not registering.	<ul style="list-style-type: none"> • Drive gear has come unscrewed from flow meter being operated with flow reversed. Reassemble drive train and reinstall flow meter to insure correct flow direction.
Liquid is flowing but register is not reading correctly, % error is constant.	<ul style="list-style-type: none"> • A large error indicates register is not calibrated correctly or is calibrated in a different volume. Check gearing in the gear plate assembly. • A smaller error can be the result of failure to not being calibrated to the fluid being metered or meter wear. Check calibration per instructions on page 3.
Liquid is flowing but register is not reading correctly, % error fluctuates.	<ul style="list-style-type: none"> • Air in the lines. Check system design and correct as necessary. • Meter may have been damaged by a shock condition, stripping gear teeth on cover plate assembly. Inspect and replace cover plate assembly as necessary.

TN Meter Parts



Item	Description
1	Nutating Disc Assembly
2	Control Plate Assembly
3	Register
4	Register Housing and Reset Knob

Part information details on page 7

TN Meter Parts (cont'd)

TN 740 / TN 760 Series Meters

Model	Pressure	125-5000 cSt	5-50,000 cSt	Fluid
TN740A	1000 PSI / 169 BAR	1-10 GPM (4-40 LPM)	0.4-4 GPM (1.5-15 LPM)	Hydraulic & Lube Oils
TN760A	400 PSI / 28 BAR	1.5-15 GPM (6-57 LPM)	0.6-6 GPM (2.3-23 LPM)	Hydraulic & Lube Oils

The calibration screw can correct for normal flow meter wear, and for other liquids within the group identified above. This flow meter cannot be used on other liquids with significantly different viscosity.

Item *	Qty.	TN740A	TN760A	Description
1	1	MC8600	MC8800	Nutating Disc Assembly / Measuring Chamber
2	1	RK8101	RK8101	Control Plate Assembly
3	1	RG3000	RG3000	Register Assembly
4	1	RK3700	RK3700	Register Housing and Reset Knob

Reference diagram on page 6 for Item numbers.

TN 860 Series Meters

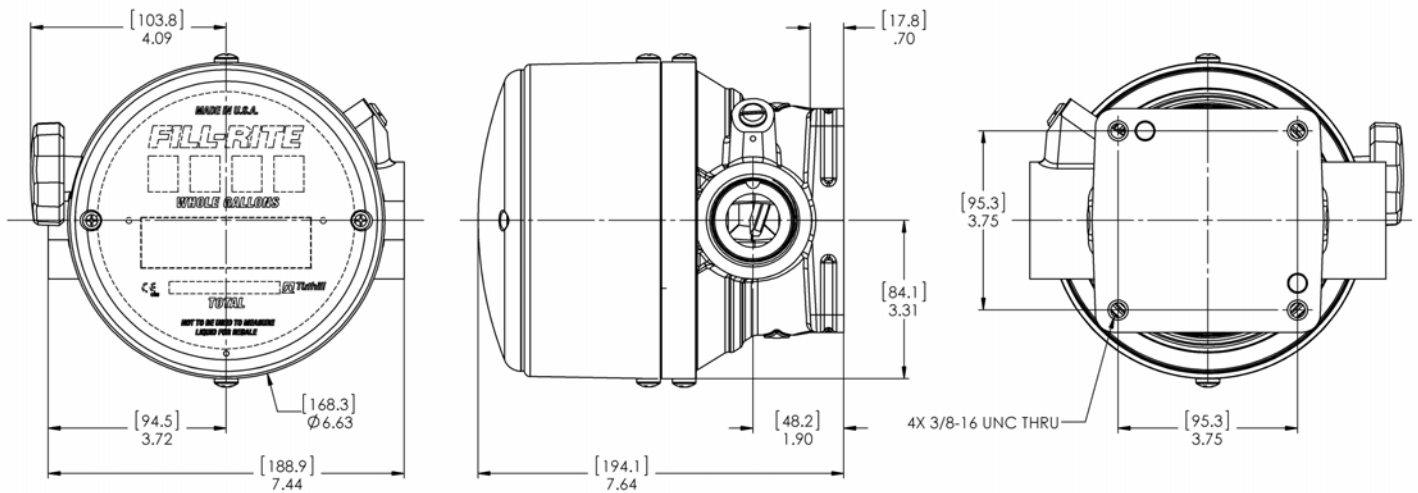
Model	Pressure	1-2 cSt	3-25 cSt *	Fluid
TN860A	150PSI / 10 BAR	6-60 GPM (23-230 LPM)	6-60 GPM (23-230 LPM)	Water, gasoline, solvents, E85 *Diesel, kerosene, light fuel oil

This flow meter has been calibrated for use on a **specific liquid viscosity range**. The calibration adjuster can correct for normal meter wear, but not for use on other liquids with significantly different viscosity. To change service to a different liquid may require different drive & transfer gears (change requires a special tool) and re-calibration.

Item *	Qty.	TN860A	Description
1	1	MC8800	Nutating Disc Assembly / Measuring Chamber
2	1	RK8101	Control Plate Assembly (Fluorocarbon seals)
2	1	RK8201	Control Plate Assembly (PTFE seals)
3	1	RG3000	Register Assembly
4	1	RK3700	Register Housing and Reset Knob

* Reference diagram on page 6 for Item numbers.

Dimensional Information



FILL-RITE®

8825 Aviation Drive
Ft. Wayne, IN 46809
1-800-634-2695

Visit us on the web at:

www.filrite.com

Learn more about Tuthill Corporation and our family of high quality, value minded products at:

www.tuthill.com



Excellence at work. Excellence in life.

*Manual de instalación, operación
y seguridad del propietario*

FILL-RITE®

**Medidores de disco nutante de la serie
TN700 y TN800**

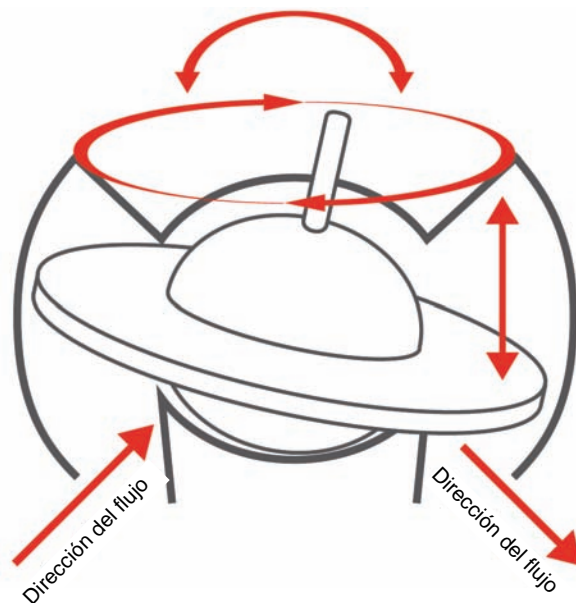
Carcasa de aluminio anodizado, cámara de medición
de PPS, sellos de Viton.

Principio de funcionamiento

Todos los medidores de flujo de desplazamiento positivo utilizan rotores o aspas para separar la entrada y la salida del medidor. Estos rotores o aspas dividen la corriente del líquido en segmentos bien definidos, los cuales se pueden contar.

El principio de medición con disco nutante se basa en un rotor de "placa oscilante" con una bola en el centro, y un eje de transmisión en 90° centrado en la bola. A medida que el líquido se impulsa a través de la cámara de medición, la placa oscila en el centro, girando el eje de transmisión en un movimiento circular. Este movimiento se usa para accionar un registrador mecánico o para girar un imán debajo del detector de pulsos en la versión electrónica del medidor de flujo.

Los medidores de disco nutante son sensibles a los cambios de viscosidad. Cada medidor está calibrado en fábrica para funcionar en un intervalo de viscosidad específico.



Condiciones de operación, compatibilidad de líquidos, y presión o temperatura

Operating the flow meter in excess of its maximum design capacity, can cause excessive wear or premature failure.

En muchos casos es necesario considerar todas las condiciones de operación de forma combinada. Además de la presión y la velocidad del flujo de los líquidos, la selección correcta del material o los sellos generalmente depende del % de concentración, del valor de pH y de la temperatura de funcionamiento.

Si tiene dudas acerca de la compatibilidad de un líquido específico, consulte la Lista de compatibilidad con productos químicos o consulte al Servicio al Cliente para verificar la compatibilidad de los productos químicos con los materiales húmedos.

No se debe hacer funcionar el medidor de flujo a presiones superiores a la clasificación de presión. Se debe tener cuidado de eliminar la posibilidad de condiciones de impacto térmico o hidráulico.

A temperaturas elevadas (> 50 °C), se reduce la clasificación de presión del medidor. Consulte al Servicio al Cliente la clasificación de presión a temperaturas de funcionamiento más altas.

Todos los modelos de las series TN700 y TN800 vienen calibrados en fábrica para el servicio con líquidos con viscosidad dentro de un intervalo específico. Por lo general, para usar un medidor de flujo con otros líquidos con características de viscosidad distintas, se requerirá un conjunto diferente de engranajes en la placa de relación de engranajes, además de la calibración.

Instalación y funcionamiento

INSTRUCCIONES DE SEGURIDAD INSTRUCCIONES DE SEGURIDAD INSTRUCCIONES DE SEGURIDAD

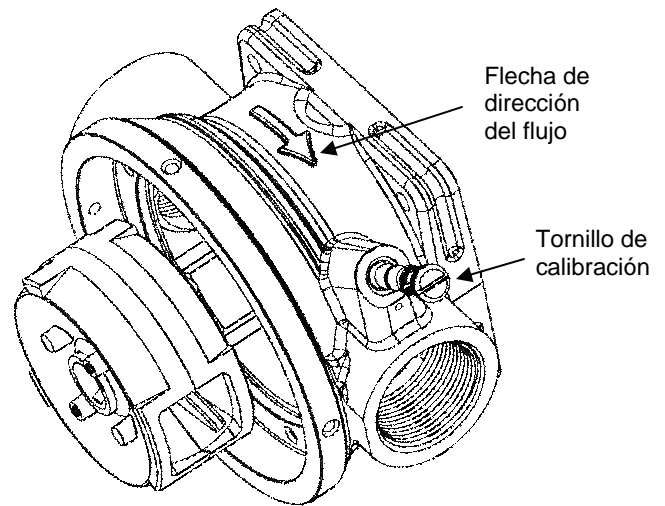
Asegúrese de que se hayan tomado todas las precauciones de seguridad necesarias. Use ropa adecuada, equipo de seguridad personal y prepare el equipo de seguridad contra incendios, si es necesario. Antes de arrancar el medidor de flujo, asegúrese de lo siguiente:

- 1 El medidor de flujo está correctamente montado, asegurado y provisto de tuberías. Consulte las **instrucciones de instalación**.
- 2 Todas las conexiones están apretadas.
- 3 Todas las válvulas de purga y de drenaje están cerradas.
- 4 **NO** fume cerca del medidor de flujo, ni use el medidor cerca de una llama abierta cuando mida líquidos inflamables. Esto puede provocar un incendio o una explosión.
- 5 Este medidor de flujo no está diseñado para usarse en sistemas que requieran equipos sanitarios con clasificación 3A.

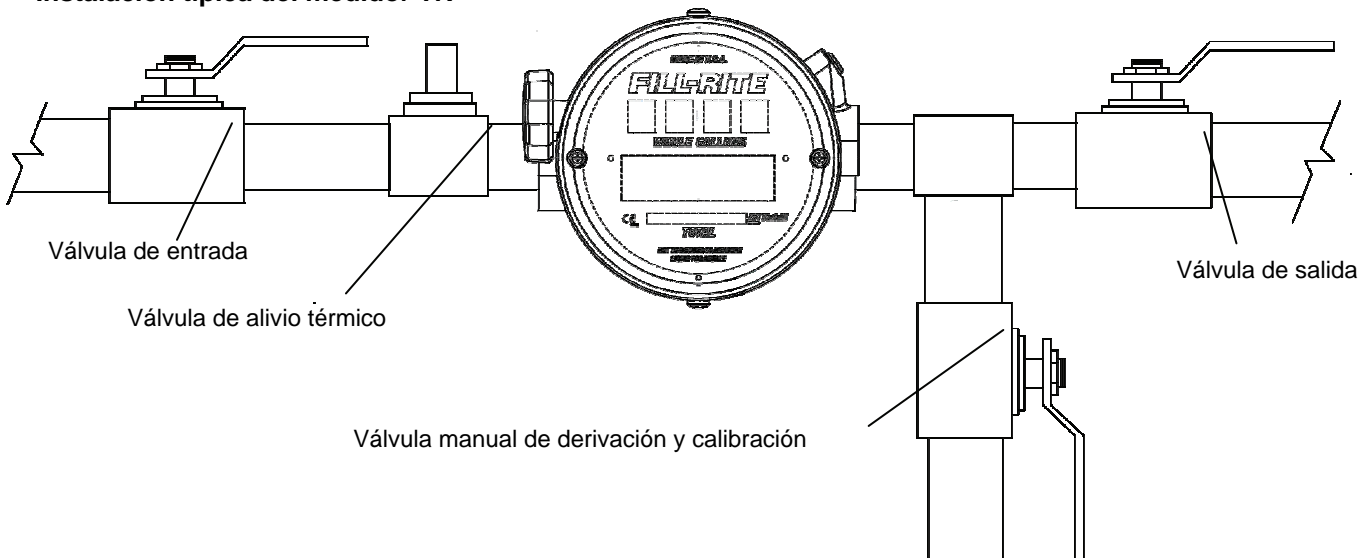
Instrucciones de instalación

Cuando se diseñe el sistema de tuberías, es importante incluir las siguientes consideraciones:

- Cómo mantener el aire fuera del sistema una vez que esté funcionando. Los medidores DP funcionan con aire, sin embargo, el aire se registra como líquido y esto puede provocar daños al medidor de flujo. La presencia de aire es un factor que contribuye a las condiciones de “golpe de ariete”.
- El impacto hidráulico puede dañar los componentes del sistema, ya sea directamente o como un efecto acumulativo de varios impactos pequeños. Diseñe el sistema para evitar la velocidad excesiva del líquido, tuberías de suministro largas y el cierre repentino de la válvula.
- Si no se instalan válvulas de alivio, la dilatación de líquidos debido a cambios menores de temperatura puede producir una presión mayor de lo normal en las tuberías. Se requiere una **válvula de alivio térmico** en todos los segmentos del sistema, donde el medidor pueda quedar atrapado entre dos válvulas cerradas.
- La dirección del flujo puede ser de izquierda a derecha, de derecha a izquierda o hacia arriba. El medidor de flujo puede estar orientado hacia arriba o hacia afuera. Sin embargo, **NO** haga funcionar este medidor de flujo hacia atrás (**consulte la “flecha de dirección del flujo” en la carcasa del medidor**).
- En el mantenimiento del proceso crítico, se recomienda usar válvulas de bloqueo y una derivación. Esto permite realizar mantenimiento al medidor de flujo sin interrumpir el flujo.
- Se deben incluir medios para la calibración del medidor de flujo. Estos pueden ser los siguientes:
 - Una sola conexión para desviar el líquido hacia una lata de exploración.
 - Una conexión doble separada por una válvula, para permitir la conexión de un medidor maestro.
- Mantenimiento y servicio futuro para el medidor de flujo y el filtro; se puede realizar mantenimiento de ambos componentes en línea, debido a que hay espacio para trabajar.



Instalación típica del medidor TN



Los medidores de desplazamiento positivo (DP) están diseñados para funcionar llenos de líquido. El medidor se debe instalar en una ubicación, donde permanezca **lleno de líquido** en todo momento. Se puede instalar en tuberías verticales, debido a que el líquido fluye hacia arriba.

Use un filtro en el lado de entrada de los medidores DP, como protección contra partículas extrañas. Este filtro no está diseñado para limpiar la contaminación en general, sino que para atrapar escoria de soldadura, sarro de las tuberías o residuos similares, que puedan obstruir o dañar el medidor de flujo.

Las tapas protectoras instaladas en los puertos del medidor deben permanecer en su lugar, hasta que esté listo para instalar el sistema de tuberías. Antes de la instalación, revise que no haya entrado material de empaque al medidor de flujo.

Instalación (continuación)

El medidor de flujo se debe instalar en el sistema sin tensión en las tuberías. La tensión en las tuberías puede deformar la cámara del medidor de flujo, lo que produce pérdida de precisión. Los medidores de la serie TN se deben fijar a un soporte de montaje. Nunca use las tuberías como la única fuente de soporte.

Aplique compuesto para tuberías en las roscas macho. **NO use cinta de sellado de PTFE.**

Enjuague el sistema antes de la instalación del medidor de flujo.

Arranque y funcionamiento

Llene **LENTAMENTE** el sistema con líquido para evitar el funcionamiento con aire o vapores. **NO** bombee a plena capacidad hasta que se haya purgado **todo** el aire. Recomendamos lo siguiente:

- Regule la válvula en el lado de entrada del medidor de flujo y deje que el sistema se llene lentamente por gravedad.
- Abra la válvula de salida. Arranque la bomba y abra lentamente la válvula de entrada. De esta manera, llene lentamente el medidor de flujo antes de hacer funcionar completamente las válvulas de entrada y salida.

El medidor de flujo no está diseñado para funcionar con aire, sin embargo, el diseño y los materiales de construcción permiten el funcionamiento con vapor durante períodos cortos, sin dañar la parte interna del medidor del flujo. Es posible que la sobrevelocidad y el funcionamiento bajo condiciones de "golpe de ariete" provoquen daños al medidor de flujo.

Instrucciones de apagado

Si se debe apagar el medidor durante un período prolongado, se recomienda enjuagar completamente la cámara de medición del medidor para evitar el asentamiento de productos químicos sin disolver o la acumulación de depósitos corrosivos.

Calibración del medidor de flujo

- Los medidores Fill-Rite se calibran antes del envío. Los medidores de la serie TN están calibrados para la viscosidad de un líquido específico, sin embargo, recomendamos volver a calibrar los medidores de flujo después de la instalación. Consulte el procedimiento que se indica a continuación.
- No hay reglas fijas para la frecuencia de recalibración. El desgaste del medidor de flujo es una función de la velocidad de flujo en comparación con el tamaño del modelo, el volumen total medido, la lubricidad y la viscosidad del líquido. Generalmente, se sugiere una recalibración anual, sin embargo, realizarla cada 6 a 36 meses puede ser correcto.
- Mantenga registros de los datos de recalibración. Mediante el registro del grado de cambio en cada recalibración, puede monitorear cuándo se debe realizar mantenimiento al medidor de flujo con una nueva cámara de medición (cuando el grado de cambio aumenta de manera significativa).
- Cuando recalibre, recomendamos que pruebe el medidor de flujo con el líquido normal de funcionamiento. Si la velocidad de flujo del sistema es constante, puede probar a esta velocidad de flujo solamente. Si la velocidad de flujo del sistema tiene fluctuaciones, debe probar a velocidades de flujo alta, intermedia y baja.

Registrador mecánico :

1. Puede comparar con respecto a un calibrador, un medidor maestro o una escala. Para comparar con respecto a una escala, seleccione un recipiente de calibración con capacidad igual a al menos 60 segundos de flujo. **Las pruebas de corto plazo no se aceptan para propósitos de calibración.**
2. Ejecute 3 pruebas a cada velocidad de flujo y use el valor promedio para calcular el error del medidor de flujo (consulte a continuación).
El tornillo de calibración tiene un intervalo de aproximadamente 6 % (+/-3%). Si el error del medidor excede el 3 %, se necesita un cambio de engranajes.
 - Si el registro muestra **muy poco**, gire el tornillo de calibración hacia la **derecha**.
 - Si el registro muestra **demasiado**, gire el tornillo de calibración hacia la **izquierda**.
3. Ejecute 1 a 2 pruebas más para confirmar que el medidor de flujo está calibrado.
4. Registre el % de corrección en el archivo del medidor de flujo y vuelva a ponerlo en servicio.

Cálculo del error del medidor:

Pruebe 3 veces, de modo que se distinga cualquier prueba que presente error del operador. Rechace dichos resultados y use el promedio de los resultados restantes para propósitos de cálculo.

Mantenimiento

Mantenimiento preventivo

El mantenimiento preventivo consta de una inspección periódica y procedimientos de limpieza. Los procedimientos se deben realizar en intervalos regulares y todos los defectos que se descubran se deben corregir antes de volver a usar el medidor de flujo.



Inspección periódica

Inspeccione visualmente el medidor de flujo para ver si faltan piezas metálicas, si hay conexiones sueltas o con fugas, si hay vidrios rotos del registrador u otras señales de desgaste o deterioro. Repare o reemplace los componentes, según se requiera.

Limpieza

Limpie todo el polvo, suciedad, grasa, humedad u otros materiales extraños del exterior del medidor de flujo y los accesorios correspondientes.

Mantenimiento

Las siguientes instrucciones son para la extracción, inspección e instalación de piezas o conjuntos del medidor de flujo. Consulte las ilustraciones en la lista de piezas y juegos (páginas 6 a 8) para conocer los números de los componentes. El medidor de la serie TN está diseñado para facilitar el mantenimiento, con el cuerpo del medidor instalado.

Montaje del medidor

1. Corte el flujo hacia el medidor. Coloque un recipiente de tamaño suficiente y el material correcto debajo del medidor para capturar cualquier líquido que se filtre durante la liberación de presión y la extracción.
2. Abra la válvula manual de derivación (consulte el diagrama en la página 3).
3. Para desmontar el medidor, retire la perilla de reajuste del costado del medidor, luego retire los dos tornillos Phillips que sostienen la carcasa del registrador (n.º 4 en el diagrama de la página 6). Esto permitirá el acceso al registrador (elemento n.º 3) para realizar mantenimiento a los componentes.

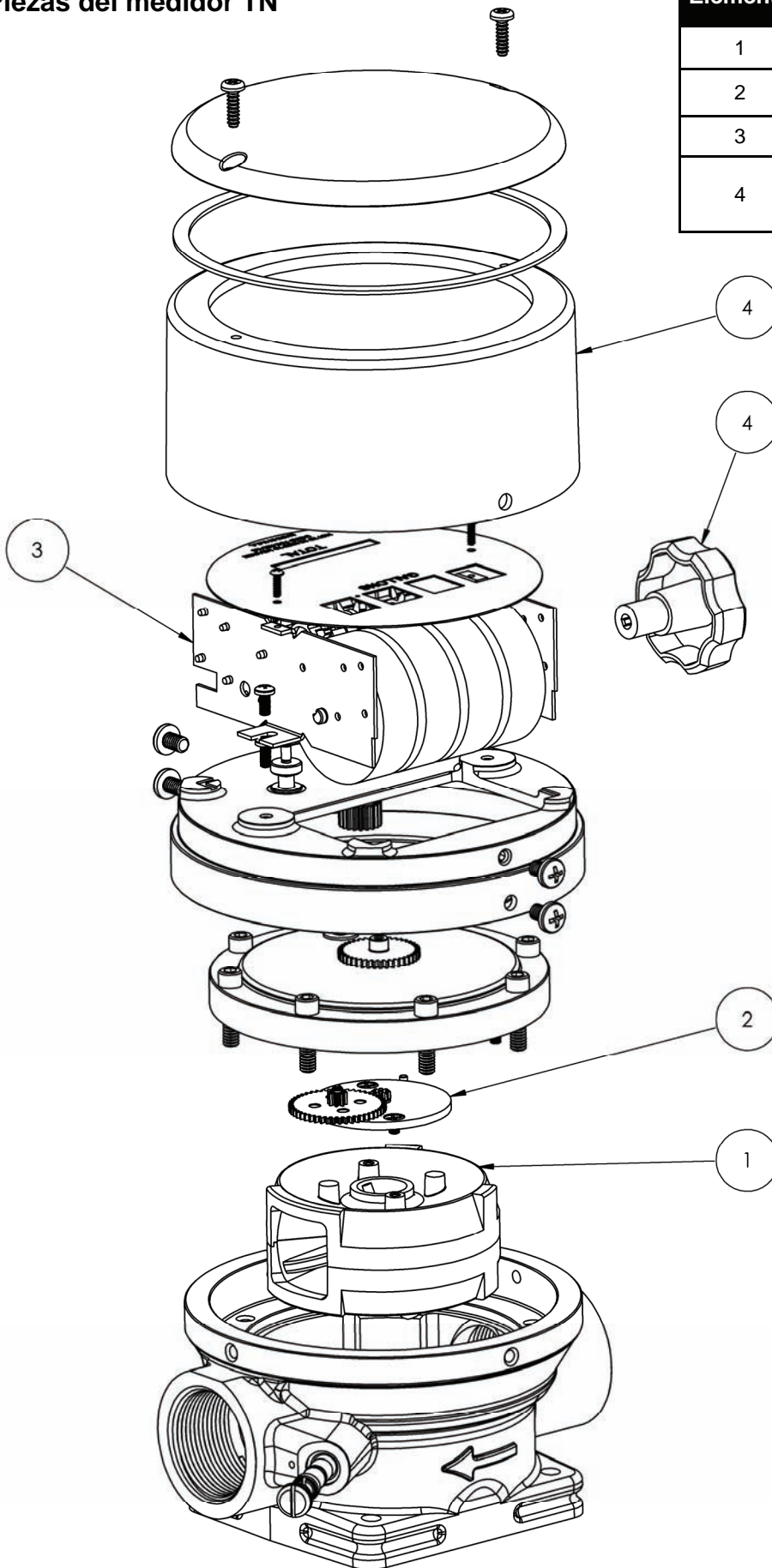
Solución de problemas

Condición	Causa probable y solución
El líquido fluye más lento o dejó de fluir.	<ul style="list-style-type: none">• Filtro obstruido corriente arriba del medidor de flujo. Limpie el filtro.• Válvula parcial o totalmente obstruida corriente arriba o corriente abajo del medidor de flujo. Abra la válvula.• Válvula defectuosa corriente arriba o corriente abajo del medidor de flujo. Realice mantenimiento a la válvula.• Falla de la bomba. Realice mantenimiento a la bomba.• Medidor atascado por partículas extrañas. Limpie el medidor y agregue un filtro corriente arriba.• Medidor congelado por productos químicos o filtraciones de agua en el medidor. Abra el medidor y limpie los componentes; inspeccione para verificar si hay daños y repare si es necesario.
Hay grietas en el conjunto de la placa de control.	<ul style="list-style-type: none">• El engranaje impulsor se destornilló del medidor de flujo cuando funcionaba con el flujo invertido. Reemplace los componentes dañados y vuelva a instalar el medidor de flujo para garantizar la dirección correcta del flujo.• La derivación de la bomba no está ajustada correctamente. Vuelva a ajustar si es necesario• Sobrevelocidad o condiciones de golpe de ariete.
Fugas desde la cubierta del medidor.	<p>El sello se dañó, generalmente debido a lo siguiente:</p> <ul style="list-style-type: none">• Presión de impacto. Reemplace el sello y revise si hay daños en la cubierta.• El sello está apretado o tiene muescas. Reemplace el sello (los sellos de PTFE se deben reemplazar cada vez que se abra el medidor).• Ataque de productos químicos. Revise si hay compatibilidad entre el material del sello y el líquido. Reemplace el sello con un sello compatible, según se requiera.• Los pernos de la cubierta no están lo suficientemente apretados. Vuelva a apretarlos si es necesario.
El líquido fluye pero no se registra el flujo.	<ul style="list-style-type: none">• El engranaje impulsor se destornilló del medidor de flujo cuando funcionaba con el flujo invertido. Vuelva a montar el tren motriz y vuelva a instalar el medidor de flujo para garantizar la dirección correcta del flujo.
El líquido fluye pero el registro no se lee correctamente, el % de error es constante.	<ul style="list-style-type: none">• Un error grande indica que el registrador no está calibrado correctamente o está calibrado a un volumen distinto. Revise los engranajes en el conjunto de la placa de engranajes.• Un error más pequeño puede ser el resultado de una falla debido a no estar calibrado según el líquido que se mide o al desgaste del medidor. Revise la calibración según las instrucciones de la página 3.
El líquido fluye pero el registro no se lee correctamente, el % de error tiene fluctuaciones.	<ul style="list-style-type: none">• Hay aire en las tuberías. Revise el diseño del sistema y corríjalo si es necesario.• Es posible que una condición de impacto o la dientes de engranaje que raspan entre sí hayan dañado el medidor en el conjunto de la placa de cubierta. Inspeccione y reemplace el conjunto de la placa de cubierta, según sea necesario.

Piezas del medidor TN

Elemento	Descripción
1	Conjunto de disco nutante
2	Conjunto de la placa de control
3	Registrador
4	Carcasa del registrador y perilla de reajuste

Part Detalles de información de las piezas en la página 7



Piezas del medidor TN (continuación)

Modelos de las series TN 740 / TN 760

Modelo	Presión	125-5000 cSt	5-50,000 cSt	Líquido
TN740A	169 BAR / 1000 PSI	4-40 LPM (1-10 GPM)	1,5-15 LPM (0,4-4 GPM)	Aceite hidráulico y de lubricación
TN760A	28 BAR / 400 PSI	6-57 LPM (1,5-15 GPM)	2,3-23 LPM (0,6-6 GPM)	Aceite hidráulico y de lubricación

El tornillo de calibración puede corregir el desgaste del flujo normal del medidor, y para otros líquidos dentro del grupo anteriormente identificado. Este medidor de flujo no se puede usar en otros líquidos con viscosidad significativamente diferente.

Elemento *	Cant.	TN740A	TN760A	Descripción
1	1	MC8600	MC8800	Conjunto de disco nutante / cámara de medición
2	1	RK8101	RK8101	Conjunto de la placa de control
3	1	RG3000	RG3000	Conjunto del registrador
4	1	RK3700	RK3700	Carcasa del registrador y perilla de reajuste

Diagrama de referencia en la página 6 para conocer los números de elemento.

Medidores de la serie TN 860

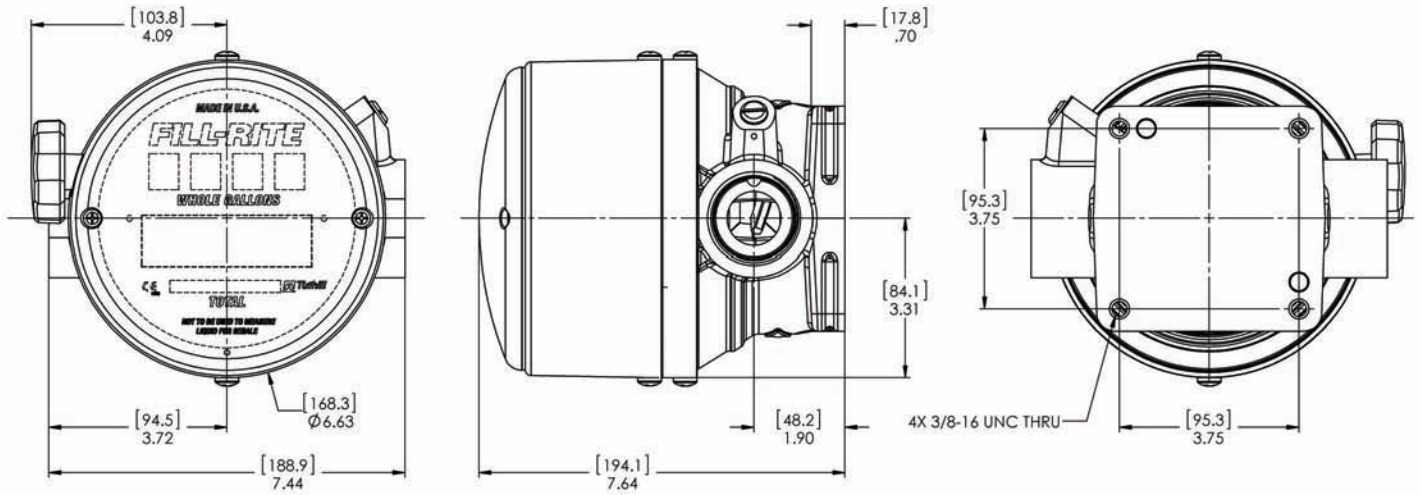
Modelo	Presión	1-2 cSt	3-25 cSt *	Líquido
TN860A	150PSI / 10 BAR	6-60 GPM (23-230 LPM)	6-60 GPM (23-230 LPM)	Agua, gasolina, solventes, E85 *Diesel, keroseno, aceite combustible ligero

Este medidor de flujo se calibró para usarse en **un intervalo de viscosidad de un líquido específico**. El ajustador de calibración puede corregir el desgaste normal del medidor, sin embargo, no para usarlo con otros líquidos con viscosidad significativamente diferente. Cambiar el servicio a un líquido diferente puede requerir engranajes impulsores y de transferencia (el cambio requiere una herramienta especial) y un proceso de recalibración.

Elemento *	Cant.	TN860A	Descripción
1	1	MC8800	Conjunto de disco nutante / cámara de medición
2	1	RK8101	Conjunto de la placa de control (sellos de fluorocarburo)
2	1	RK8201	Conjunto de la placa de control (sellos de PTFE)
3	1	RG3000	Conjunto del registrador
4	1	RK3700	Carcasa del registrador y perilla de reajuste

* Diagrama de referencia en la página 6 para conocer los números de los elementos.

Información de dimensiones



FILL-RITE®

8825 Aviation Drive
Ft. Wayne, IN 46809
1-800-634-2695

Visítenos en Internet en:

www.fillrite.com

Conozca más acerca de Tuthill Corporation y nuestra familia de productos de gran calidad y enfocados en el valor en :

www.tuthill.com



Tuthill

Excellence at work. Excellence in life.

Manuel d'installation, d'utilisation et de sécurité

FILL-RITE®

**Compteurs volumétriques à disque oscillant
des séries TN700 et TN800**

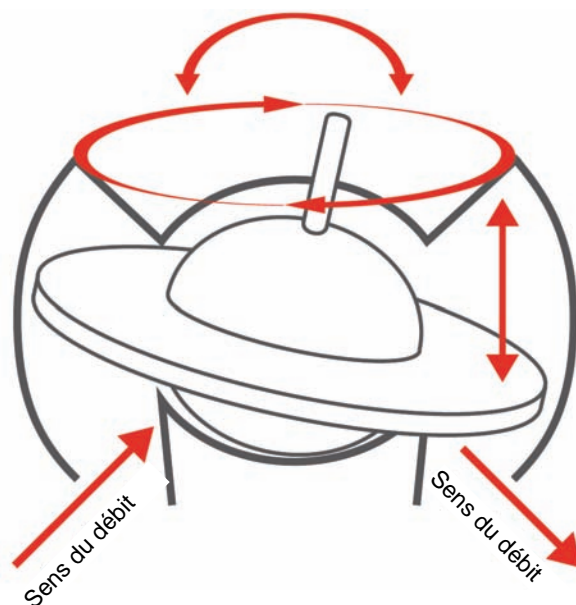
Boîtier en aluminium anodisé, chambre de mesure en PPS
(résine de polysulfure de phénylène), joints Viton.

Principe de fonctionnement

Tous les débitmètres à déplacement positif utilisent soit des rotors, soit des ailettes pour séparer l'entrée de la sortie. Ces rotors/ailettes divisent le liquide en segments clairement définis qui peuvent alors être comptés.

Le principe du compteur volumétrique à disque oscillant est basé sur le rotor à « plateau oscillant » avec une bille au centre, et un arbre d'entraînement centré à 90° dans la bille. Lorsque le liquide pénètre dans la chambre de mesure, le plateau oscille au centre, faisant tourner l'arbre d'entraînement d'un mouvement circulaire. Ce mouvement est exploité pour entraîner un enregistreur mécanique ou faire tourner un aimant sous le capteur d'impulsion de la version électronique du débitmètre.

Les compteurs volumétriques à disque oscillant sont sensibles aux changements de viscosité. Chaque compteur est calibré à l'usine pour fonctionner dans une plage spécifique de viscosité.



Conditions d'exploitation, compatibilité du fluide et pression/température

L'utilisation du débitmètre au-delà de sa capacité nominale maximum, peut provoquer son usure excessive ou sa défaillance prématurée.

Dans la plupart des cas, il est nécessaire de tenir compte de l'association de toutes les conditions d'exploitation. Outre le liquide, la pression et le débit, le bon choix de matériau/joint dépend souvent du pourcentage de concentration, de la valeur du pH et de la température de service.

En cas de doute à propos de la compatibilité d'un fluide spécifique, prière de se reporter à la liste de compatibilité chimique ou vérifiez la compatibilité des produits chimiques avec les matériaux mouillés auprès du service clientèle.

Le débitmètre ne doit pas être utilisé avec une capacité de pression excessive. Il faut veiller à éliminer l'éventualité des chocs thermiques ou hydrauliques.

La capacité de pression des débitmètres est réduite aux températures élevées (> 50 °C = 120 °F). Veuillez consulter le service clientèle à propos de la capacité de pression à des températures de service plus élevées.

Tous les modèles des séries TN700 et TN800 sont calibrés à l'usine pour le service avec des liquides dont la viscosité tombe dans une plage spécifique. L'utilisation d'un débitmètre pour un liquide de viscosité différente nécessite généralement un jeu d'engrenages différent sur la plaque d'engrenage d'étagement des rapports et un calibrage.

Installation et fonctionnement

CONSIGNES DE SÉCURITÉ

CONSIGNES DE SÉCURITÉ

CONSIGNES DE SÉCURITÉ

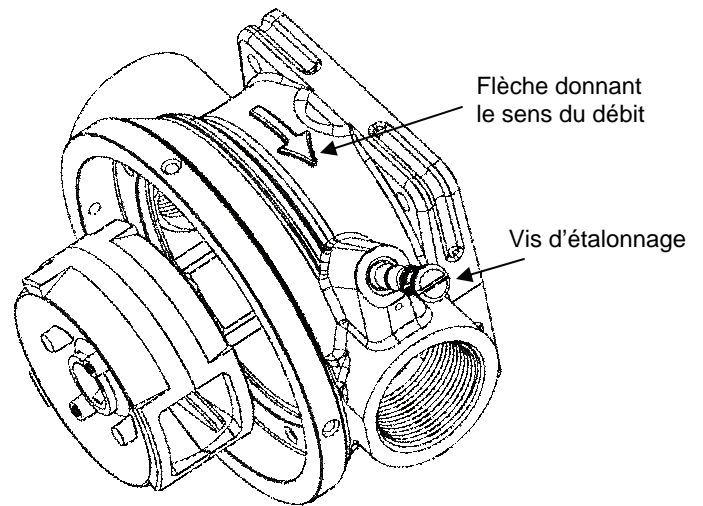
Veillez à prendre toutes les mesures de sécurité requises. Portez des vêtements et un équipement de sécurité individuel adéquats et préparez un équipement de sécurité incendie le cas échéant. Avant de démarrer le débitmètre, veillez à ce que :

- 1 Le débitmètre soit convenablement monté, fixé et raccordé. Voir les **Instructions d'installation**.
- 2 Tous les raccords sont étanches.
- 3 Tous les vannes de purge et les robinets de vidange sont fermés.
- 4 **NE** fumez **PAS** près d'un débitmètre, ne l'utilisez pas près d'une flamme nue lorsque vous mesurez des liquides inflammables. Il peut se produire un incendie ou une explosion.
- 5 Ce débitmètre n'a pas été conçu pour être utilisé dans les systèmes nécessitant un équipement sanitaire de niveau 3A.

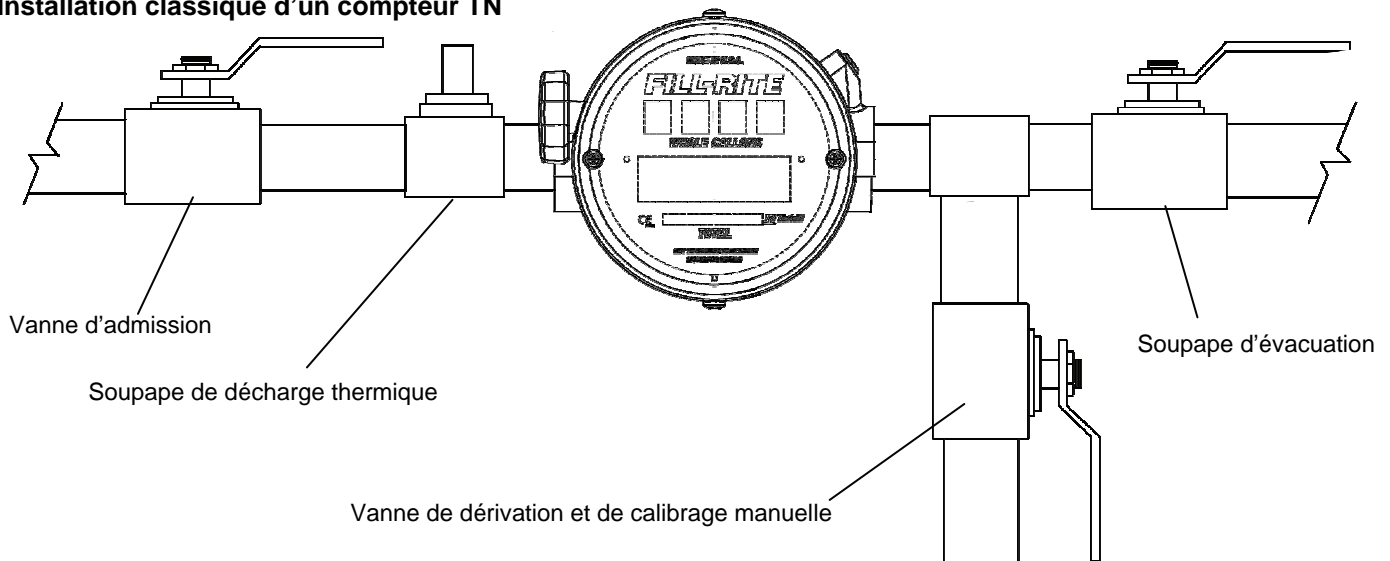
Instructions d'installation

Dans la conception d'un système de tubes, il est important de tenir compte des considérations suivantes :

- Comment assurer l'étanchéité du système à l'air en marche. Les compteurs à déplacement positif marchent à l'air mais l'air est enregistré comme un liquide et cela pourrait endommager le débitmètre. La présence d'air est un facteur qui contribue aux « coups de bélier ».
- Les chocs hydrauliques peuvent endommager les composants du système, soit directement, soit par effet cumulé de plusieurs petits chocs. Le système doit être conçu pour éviter une vitesse excessive du liquide, de longues conduites d'arrivée et une fermeture soudaine de la vanne.
- La dilatation du liquide, provoquée par des variations mineures de température, peut entraîner une pression de ligne plusieurs fois supérieure à la normale si des soupapes de décharge ne sont pas installées. Une **soupape de décharge thermique** est requise pour tout segment du système où le compteur peut être piégé entre deux vannes fermées.
- Le sens de l'écoulement peut être de gauche à droite, de droite à gauche ou vers le haut. Le débitmètre peut être orienté vers le haut ou l'extérieur. Toutefois, ne faites pas marcher ce débitmètre en arrière (**voir « flèche donnant le sens du débit » sur le boîtier du compteur**).
- Pour les interventions sur les procédés critiques, des vannes de sectionnement et une dérivation sont recommandées. Ceci permet d'entretenir le débitmètre sans interrompre l'écoulement.
- Des moyens de calibrage du débitmètre doivent être inclus. Il peut s'agir de :
 - un branchement unique pour dévier le liquide dans un bidon d'essai.
 - un raccordement double séparé par une vanne afin de pouvoir être branché à un compteur principal.
- Les futurs entretiens et réparations du débitmètre et de la crépine : les deux composants peuvent être entretenus en ligne à condition qu'il y ait de l'espace pour travailler.



Installation classique d'un compteur TN



Les compteurs à déplacement positif sont conçus pour fonctionner avec le plein de liquide. Le compteur doit être installé dans un emplacement toujours **plein de liquide**. Il peut être installé dans les lignes verticales à condition que le liquide s'écoule vers le haut.

Utilisez une crépine en guise de protection contre les particules étrangères au niveau de l'admission des compteurs à déplacement positif. L'objectif de cette crépine n'est pas de nettoyer une contamination générale mais plutôt d'attraper le laitier de soudure, le tartre dans les tubes et les dépôts semblables qui peuvent endommager ou boucher le débitmètre.

Les bouchons de protection des ports du compteur doivent être laissés en place jusqu'à ce que vous soyez prêt à installer la tuyauterie. Vérifiez qu'aucun matériau d'emballage n'a pénétré dans le débitmètre avant l'installation.

Installation (suite)

Le débitmètre doit être installé dans le système sans contrainte de tuyauteries. Les contraintes des tuyauteries peuvent déformer la chambre du débitmètre et entraîner une perte de précision. Les compteurs de la série TN doivent être attachés à un support de montage. N'utilisez jamais la tuyauterie comme seule source de support.

Appliquez un mastic pour joints de tubes sur les filetages extérieurs. **N'utilisez PAS de ruban d'étanchéité en PTFE.**

Purgez le système avant l'installation du débitmètre.

Démarrage et fonctionnement

Remplissez **LENTEMENT** de liquide le système pour éviter un fonctionnement à l'air ou aux vapeurs. **NE** pompez **PAS** à pleine capacité jusqu'à ce que **tout** l'air soit purgé. Nous recommandons de :

- Étrangler la vanne à l'admission du débitmètre et de laisser le système se remplir lente par gravité.
- Ouvrir la soupape d'évacuation. Démarrez la pompe et ouvrez ensuite lentement la vanne d'admission. Ainsi, le débitmètre se remplit lentement avant que la vanne d'admission et la soupape d'évacuation ne soient totalement opérationnelles.

Le débitmètre n'a pas été conçu pour fonctionner à l'air mais la conception et les matériaux de construction permettent de fonctionner à la vapeur pendant une courte période sans endommager l'intérieur. Il y a des chances que la survitesse et les coups de bélier endommagent le débitmètre.

Instruction d'arrêt

S'il faut arrêter le compteur pendant une période prolongée, il est recommandé de purger soigneusement la chambre du compteur afin d'éviter le dépôt de produits chimiques non dissous ou l'accumulation de dépôts corrosifs.

Calibrage du débitmètre

- Les compteurs Fill-Rite sont calibrés avant leur expédition. Les compteurs de la série TN sont calibrés pour la viscosité d'un liquide spécifique mais nous recommandons de les réétalonner après l'installation. Veuillez consulter la procédure indiquée ci-après.
- Il n'y a pas de règle précise pour la fréquence du réétalonnage. L'usure du débitmètre est fonction du débit par rapport à la taille du modèle, au volume total mesuré, au pouvoir lubrifiant du liquide et à sa viscosité. Un réétalonnage annuel est souvent suggéré mais un intervalle de 6 à 36 mois devrait aller.
- Conservez les données de réétalonnage. En surveillant l'ampleur du changement à chaque réétalonnage, vous pouvez suivre le moment où le débitmètre aura besoin d'une nouvelle chambre de mesure (lorsque l'ampleur du changement augmente de façon significative).
- Pour le réétalonnage, nous recommandons de tester le débitmètre avec un fluide de fonctionnement normal. Si le débit du système est constant, vous pouvez tester à ce débit seulement. Si le débit du système varie, vous devez tester au débit élevé, au débit intermédiaire et au débit faible.

Enregistreur mécanique :

1. Vous pouvez tester par rapport à un appareil de vérification, un compteur principal ou une balance. Pour tester par rapport à une balance, sélectionnez un réservoir d'étalonnage de capacité au moins égale à 60 secondes de débit. **Des essais de marche courts ne sont pas acceptables pour les réétalonnages.**
2. Exécutez trois tests à chaque débit et prenez la valeur moyenne pour calculer l'erreur au débitmètre (voir ci-après). La vis d'étalonnage possède une portée d'environ 6 % (+/-3 %). Si l'erreur au compteur dépasse les 3 %, un changement d'engrenage est nécessaire.
 - Si l'enregistreur affiche **trop peu**, tournez la vis d'étalonnage vers la **droite**.
 - Si l'enregistreur affiche **trop**, tournez la vis d'étalonnage vers la **gauche**.
3. Exécutez un ou deux tests supplémentaires afin de confirmer que le débitmètre est maintenant calibré.
4. Enregistrez le pourcentage de correction dans le dossier du débitmètre et remettez le débitmètre.

Calcul de l'erreur au compteur :

Testez trois fois pour que le test avec les erreurs de l'opérateur ressorte. Rejetez de tels résultats et utilisez la moyenne des résultats restants pour procéder aux calculs.

Maintenance

Entretien préventif

L'entretien préventif comprend des procédures périodiques d'inspection et de nettoyage. La procédure doit être exécutée régulièrement et les défauts découverts réparés avant la remise en service du débitmètre.



Inspection périodique

Inspectez visuellement le débitmètre pour déceler les matériels manquants, les raccords lâches ou qui fuient, les cassures du verre du compteur ou d'autres signes d'usure ou de détérioration. Réparez ou remplacez les composants le cas échéant.

Nettoyage

Nettoyez toutes les poussières, les saletés, les graisses, l'humidité ou tout autre matériau étranger sur l'extérieur du débitmètre et de tout accessoire concerné.

Entretien et réparation

Les instructions suivantes portent sur l'enlèvement, l'inspection et l'installation des pièces ou ensembles du débitmètre. Consultez les illustrations de la liste des pièces/kit (pages 6 à 8) pour avoir les numéros des composants. Le compteur de la série TN a été conçu pour un entretien facile avec le corps du compteur en place.

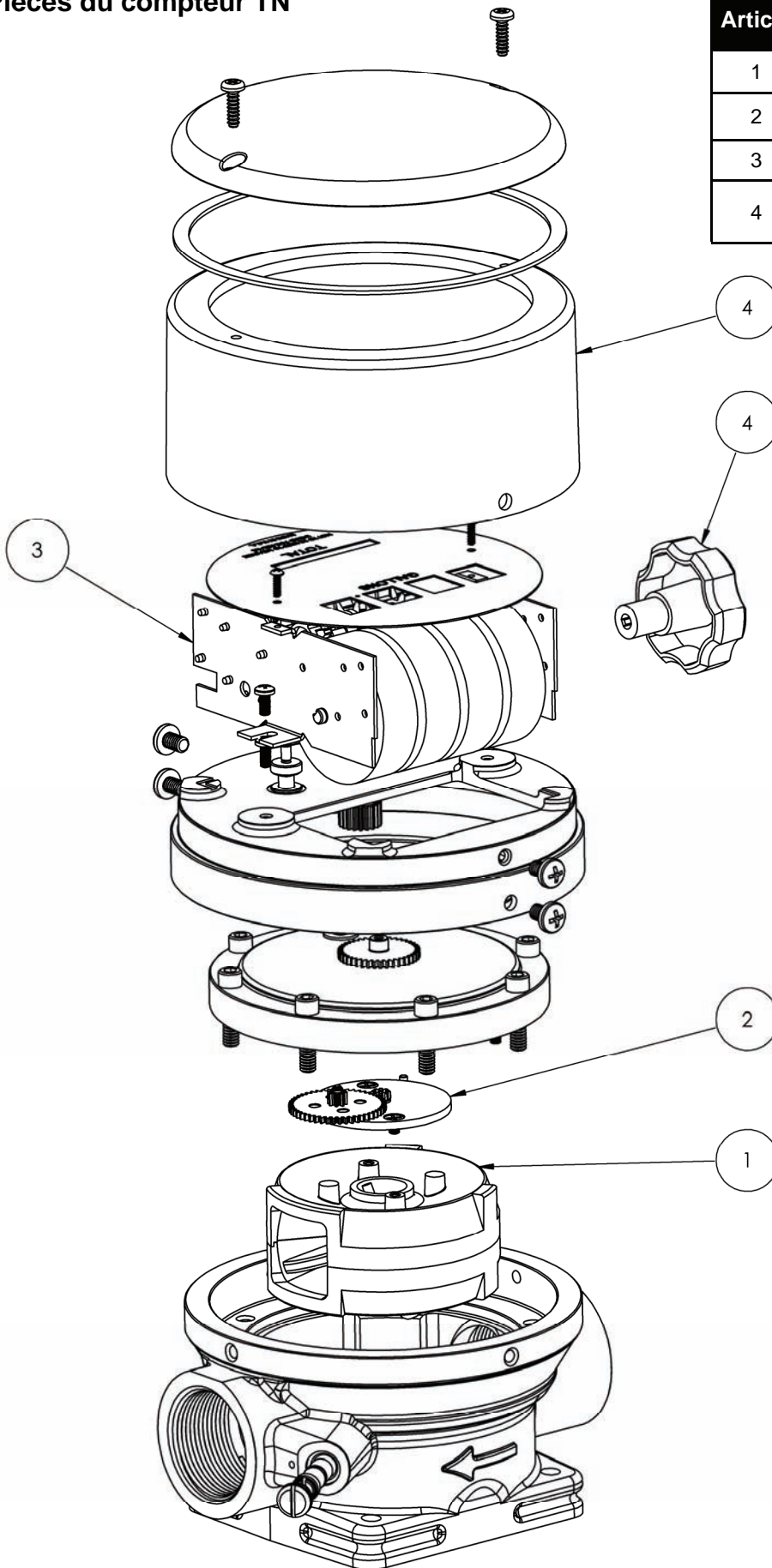
Ensemble du compteur

1. Coupez l'écoulement vers le compteur. Placez un récipient de taille suffisante et du matériau adéquat sous le compteur afin de recueillir toute fuite de fluide pendant la détente et l'enlèvement.
2. Ouvrez la vanne de dérivation manuelle (voir le schéma à la page 3).
3. Démontez le compteur en enlevant le bouton de remise en position sur le côté, et ensuite les deux vis cruciformes qui maintiennent le boîtier du compteur (n° 4 sur le schéma de la page 6). Ceci permet d'accéder au compteur (article n° 3) afin d'entretenir ces composants.

Dépannage

État	Cause probable et solution
Le liquide s'écoule plus lentement ou s'est arrêté de couler.	<ul style="list-style-type: none">• Crépine bouchée en amont du débitmètre. Nettoyez la crépine.• Fermez partiellement ou totalement la vanne en amont ou en aval du débitmètre. Ouvrez la vanne.• Mauvais fonctionnement de la vanne en amont ou en aval du débitmètre. Réparez la vanne.• Panne de la pompe. Réparez la pompe.• Compteur calé par des particules étrangères. Nettoyez le compteur et ajoutez une crépine en amont.• Compteur coincé par les produits chimiques ou l'eau (voir la page dans le compteur). Ouvrez le compteur et nettoyez les composants ; inspectez les dommages et effectuez les réparations le cas échéant.
Fêlures de l'ensemble de la plaque de réglage.	<ul style="list-style-type: none">• L'engrenage menant s'est dévissé du débitmètre à débit inverse. Remplacez les composants endommagés et réinstallez le débitmètre pour avoir un sens de débit correct.• La dérivation de la pompe n'est pas convenablement ajustée. Réajustez au besoin.• Survitesse ou coups de bélier.
Fuite du couvercle du compteur.	<p>Le joint a été endommagé ; c'est généralement dû à :</p> <ul style="list-style-type: none">• Suppression au coup de bélier. Remplacez le joint et inspectez les dommages du couvercle.• Le joint a été pincé ou entaillé. Remplacez le joint (les joints en PTFE doivent être remplacés chaque fois que le compteur est ouvert).• Attaque chimique. Vérifiez la compatibilité du matériau du joint par rapport au liquide. Remplacez le joint par un joint compatible le cas échéant.• Les boulons du couvercle ne sont pas suffisamment serrés. Resserrez au besoin.
Le liquide s'écoule mais aucun débit n'est enregistré.	<ul style="list-style-type: none">• L'engrenage menant s'est dévissé du débitmètre à débit inverse. Remontez la transmission et réinstallez le débitmètre pour avoir un sens de débit correct.
Le liquide s'écoule mais le compteur ne lit pas correctement ; le pourcentage d'erreur est constant.	<ul style="list-style-type: none">• Une erreur importante signifie que le compteur n'est pas correctement calibré ou est calibré pour un volume différent. Vérifiez l'engrenage de l'ensemble de la plaque d'engrenage.• Une petite erreur peut venir du non-calibrage pour le fluide mesuré ou de l'usure du compteur. Vérifiez le calibrage selon les instructions de la page 3.
Le liquide s'écoule mais le compteur ne lit pas correctement ; le pourcentage d'erreur varie.	<ul style="list-style-type: none">• Il y a de l'air dans les conduites. Vérifiez la conception du système et rectifiez le cas échéant.• Le compteur a été endommagé par un choc qui a arraché les dents d'engrenage sur l'ensemble de la plaque de couverture. Inspectez et remplacez l'ensemble de la plaque de couverture le cas échéant.

Pièces du compteur TN



Article	Description
1	Ensemble du disque oscillant
2	Ensemble de la plaque de réglage
3	Compteur
4	Boîtier du compteur et bouton de remise

Informations détaillées sur les pièces à la page 7

Pièces du compteur TN (suite)

Compteurs de la série TN 740 / TN 760

Modèle	Pression	125-5000 cSt	5-50,000 cSt	Fluide
TN740A	169 BAR / 1000 lb/po ²	4-40 l/min (1-10 gal/min)	1,5-15 l/min (0,4-4 gal/min)	Huiles hydrauliques et de graissage
TN760A	28 BAR / 400 lb/po ²	6-57 l/min (1,5-15 gal/min)	2,3-23 l/min (0,6-6 gal/min)	Huiles hydrauliques et de graissage

La vis d'étalonnage peut corriger l'usure normale du débitmètre et celle des autres liquides des groupes mentionnés ci-dessus. Ce débitmètre ne peut pas être utilisé avec d'autres liquides dont la viscosité est sensiblement différente.

Article *	Qté	TN740A	TN760A	Description
1	1	MC8600	MC8800	Ensemble du disque oscillant / chambre de mesure
2	1	RK8101	RK8101	Ensemble de la plaque de réglage
3	1	RG3000	RG3000	Ensemble du compteur
4	1	RK3700	RK3700	Boîtier du compteur et bouton de remise en position

Schéma de référence à la page 6 pour les numéros des articles.

Compteurs de la série TN 860

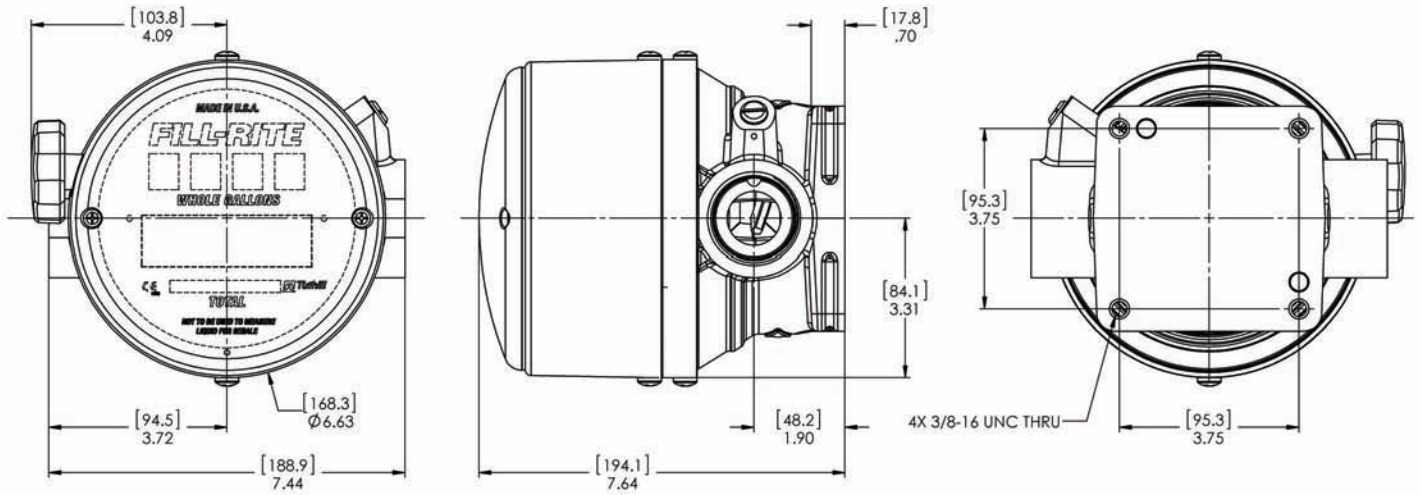
Modèle	Pression	1-2 cSt	3-25 cSt *	Fluide
TN860A	10 BAR / 150 lb/po ²	23 - 230 l/min (6 - 60 gal/min)	23 - 230 l/min (6 - 60 gal/min)	Eau, essences, solvants, E85 *Diesel, kérosène, mazout léger

Ce débitmètre a été calibré pour une **plage spécifique de viscosité**. Le dispositif de réglage du calibrage peut corriger l'usure normale du compteur mais non pas s'il est utilisé avec d'autres liquides à la viscosité sensiblement différente. Le passage à un autre liquide peut nécessiter différents engrenages de distribution et engrenage menant (le changement requiert un outil spécial) et un réétalonnage.

Article *	Qté	TN860A	Description
1	1	MC8800	Ensemble du disque oscillant / chambre de mesure
2	1	RK8101	Ensemble de la plaque de réglage (joints d'étanchéité en fluorocarbone)
2	1	RK8201	Ensemble de la plaque de réglage (joints d'étanchéité en PTFE)
3	1	RG3000	Ensemble du compteur
4	1	RK3700	Boîtier du compteur et bouton de remise en position

* Schéma de référence à la page 6 pour les numéros des articles.

Informations dimensionnelles



FILL-RITE®

8825 Aviation Drive
Ft. Wayne, IN 46809
1-800-634-2695

Visitez notre site Web :

www.fillrite.com

Apprenez-en davantage sur Tuthill Corporation et sur notre famille de produits de qualité supérieure et d'un excellent rapport qualité-prix en visitant le site :

www.tuthill.com



Excellence at work. Excellence in life.

*Eigentümer-, Einbau-, Betriebs-
und Sicherheitsanleitung*

FILL-RITE®

Taumelscheibenzähler der TN700 und TN800 Serie

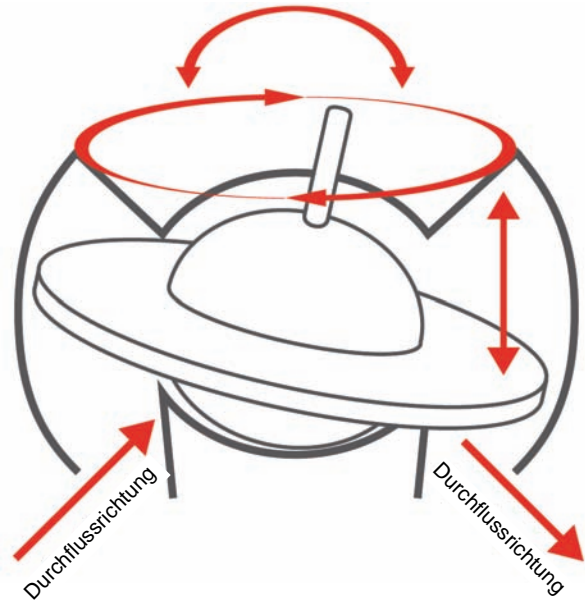
Eloxiertes Aluminiumgehäuse, PPS-Messkammer, Viton-Dichtungen.

Funktionsprinzip

Alle Verdrängungszähler trennen den Zählereinlass und Zählerauslass durch Rotoren oder Schieber. Diese Rotoren/Schieber unterteilen den Flüssigkeitsstrom in klar definierte Segmente, die gezählt werden können.

Das Funktionsprinzip des Taumelscheibenzählers basiert auf dem Taumelrotor mit einer Kugel in der Mitte und einer Antriebswelle im Winkel von 90°, die in der Kugel zentriert ist. Wenn die Flüssigkeit durch die Messkammer gedrückt wird, taumelt die Scheibe um die Mittelachse und dreht die Antriebswelle in einer Kreisbewegung. Diese Bewegung treibt entweder einen mechanischen Register an oder dreht einen Magnet unter dem Impulsnehmer in der elektronischen Version des Durchflusszählers.

Taumelscheibenzähler sind empfindlich auf Viskositätsänderungen. Jeder Zähler wird im Werk zum Betrieb in einem bestimmten Viskositätsbereich kalibriert.



Betriebsbedingungen, Flüssigkeitsverträglichkeit und Druck/Temperatur

Der Betrieb des Durchflusszählers über die maximale Nennkapazität hinaus kann zu starkem Verschleiß oder frühzeitigem Versagen führen.

In vielen Fällen müssen alle Betriebsbedingungen gemeinsam berücksichtigt werden. Zusätzlich zu Flüssigkeit, Druck und Durchflussrate hängt die korrekte Material-/Dichtungsauswahl häufig von der prozentuellen Konzentration, dem pH-Wert und der Betriebstemperatur ab.

Falls Zweifel bestehen, ob eine spezielle Flüssigkeit verträglich ist, schlagen Sie in der Chemikalienverträglichkeitsliste nach oder lassen Sie sich von der Abteilung „Customer Care“ beraten, um die Verträglichkeit von Chemikalien mit den benetzten Materialien zu überprüfen.

Der Durchflusszähler darf nicht über den Drucknennwert hinaus betrieben werden. Es muss darauf geachtet werden, dass potenzielle thermische oder hydraulische Druckschläge eliminiert werden.

Bei höheren Temperaturen (> 50 °C) wird der Drucknennwert des Zählers verringert. Für Drucknennwerte bei höheren Betriebstemperaturen lassen Sie sich vom Kundendienst beraten.

Alle Modelle der TN700 und TN800 Serie werden im Werk für Einsatz mit Flüssigkeiten mit einer Viskosität in einem bestimmten Bereich kalibriert. Um einen Durchflusszähler mit einer anderen Flüssigkeit mit unterschiedlichen Viskositätseigenschaften zu verwenden, muss gewöhnlich ein unterschiedlicher Zahnradsatz in der Übersetzungsgetriebeplatte eingebaut sowie eine Kalibrierung durchgeführt werden.

Einbau und Betrieb

SICHERHEITSANWEISUNGEN

SICHERHEITSANWEISUNGEN

SICHERHEITSANWEISUNGEN

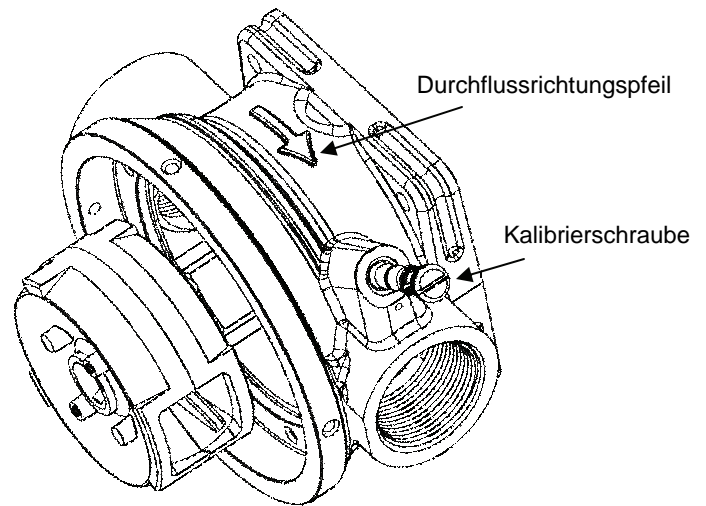
Sicherstellen, dass alle erforderlichen Sicherheitsvorkehrungen getroffen wurden. Geeignete Kleidung und persönliche Schutzausrüstung tragen sowie nach Bedarf Brandschutzausrüstungen vorbereiten. Vor Inbetriebnahme des Zählers ist Folgendes sicherzustellen:

- 1 Der Durchflusszähler ist vorschriftsmäßig montiert, gesichert und verrohrt. Siehe **Einbauanweisungen**.
- 2 Alle Verbindungen sind fest.
- 3 Alle Entlüftungs- und Ablassventile sind geschlossen.
- 4 In der Nähe des Durchflusszählers **NICHT** rauchen und den Durchflusszähler beim Messen entzündlicher Flüssigkeiten nicht in der Nähe von offenen Flammen verwenden. Es besteht Brand- oder Explosionsgefahr.
- 5 Dieser Durchflusszähler ist nicht zum Einsatz in Systemen vorgesehen, für die Hygieneausrüstungen der Klasse 3A

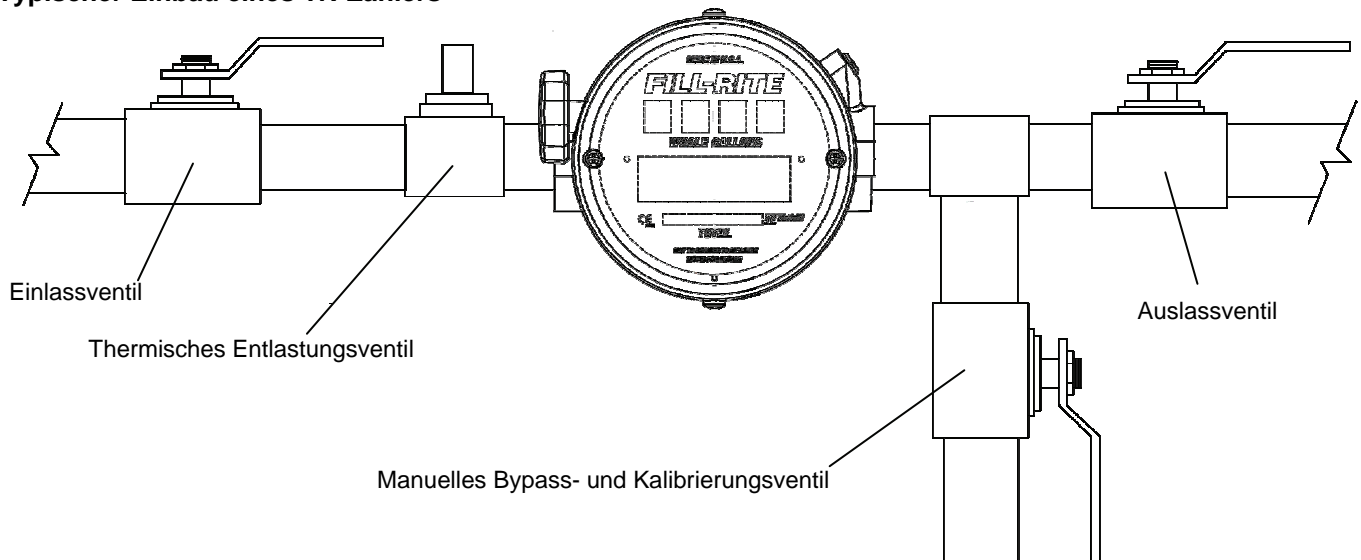
Einbauanweisungen

Bei der Konstruktion des Rohrleitungssystems müssen folgende Überlegungen berücksichtigt werden:

- Wie wird Luft aus dem System ferngehalten, nachdem das System in Betrieb ist. PD-Zähler funktionieren mit Luft; es wird jedoch Luft als Flüssigkeit gemessen und der Durchflusszähler kann beschädigt werden. Die Gegenwart von Luft trägt zu Drucksschlagbedingungen (Wasserschlag) bei.
- Hydraulikschläge können die Systemkomponenten entweder direkt oder kumulativ durch zahlreiche kleine Schläge beschädigen. Das System muss so konzipiert werden, dass zu hohe Flüssigkeitgeschwindigkeit, lange Versorgungsleitungen und plötzliche Ventilschaltvorgänge vermieden werden.
- Falls keine Entlastungsventile vorgesehen werden, kann die Ausdehnung der Flüssigkeit durch kleinere Temperaturschwankungen zu einem Leitungsdruck führen, der ein Vielfaches des Normalwertes beträgt. Ein **thermisches Entlastungsventil** ist in allen Systemsegmenten vorgeschrieben, in denen der Zähler zwischen zwei geschlossenen Ventilen „eingefangen“ werden kann.
- Die Strömungsrichtung kann von links nach rechts, rechts nach links oder nach oben verlaufen. Der Durchflusszähler kann entweder nach oben oder außen zeigend eingebaut werden. Dieser Durchflusszähler darf jedoch NICHT rückwärts betrieben werden (**siehe „Durchflussrichtungspfeil“ auf dem Zählergehäuse**).
- In kritischen Prozesseinsätzen sind Absperrhähne und eine Bypassleitung empfehlenswert. Dadurch kann der Durchflusszähler ohne Unterbrechung des Durchflusses gewartet werden.
- Es müssen Vorkehrungen für die Kalibrierung des Durchflusszählers vorgesehen werden. Beispielsweise:
 - Ein einzelner Anschluss zur Ableitung der Flüssigkeit in einen Messbehälter.
 - Ein Doppelanschluss, getrennt durch ein Ventil, zum Anschließen eines Master-Zählers.
- Zukünftige Wartung und Einsatz für Durchflusszähler und Sieb; beide Komponenten können in der Leitung gewartet werden, vorausgesetzt es ist ausreichend Arbeitsplatz vorhanden.



Typischer Einbau eines TN-Zählers



Direktverdrängungs-Zähler (PD) sind zum Betrieb mit Flüssigkeitskomplettfüllung vorgesehen. Der Zähler muss an einer Stelle eingebaut werden, an der er immer mit **Flüssigkeit gefüllt** ist. Er kann in senkrechte Leitungen eingebaut werden, solange die Strömung nach oben gerichtet ist.

Ein Sieb an der Einlassseite von PD-Zählern anbringen, um diese vor Fremdkörpern zu schützen. Dieses Sieb ist nicht zur Reinigung allgemeiner Kontamination, sondern zum Auffangen von Schweißschlacke, Kesselstein oder ähnlichem Material vorgesehen, das den Durchflusszähler verstopfen kann.

An den Zähleranschlüssen angebrachte Schutzkappen müssen solange angebracht bleiben, bis der Anschluss an das Rohrleitungssystem erfolgen soll. Vor dem Einbau ist zu prüfen, dass kein Verpackungsmaterial in den Durchflusszähler gelangt ist.

Einbau (Forts.)

Der Durchflusszähler muss so in das System eingebaut werden, dass die Rohrleitungen keinen Spannungen ausgesetzt werden. Rohrleitungsspannungen können die Messkammer des Zählers verformen und Messungenauigkeiten zur Folge haben. Zähler der TN Serie müssen sicher auf einer Stütze montiert werden. Niemals die Rohrleitung als einzige Stütze verwenden.

Gewindesicherungsmittel auf das Außengewinde auftragen. **KEIN PTFE-Dichtband verwenden.**

Das System spülen, bevor der Durchflusszähler eingebaut wird.

Inbetriebnahme und Betrieb

Das System **LANGSAM** mit Flüssigkeit füllen, damit es nicht mit Luft oder Dämpfen betrieben wird. **NICHT** mit voller Kapazität pumpen, solange nicht **alle** Luft entfernt wurde. Wir empfehlen Folgendes:

- Das Ventil an der Einlassseite des Durchflusszählers drosseln und warten, bis sich das System langsam durch Schwerkraft
- Das Auslassventil öffnen. Die Pumpe starten und anschließend das Einlassventil langsam öffnen. Den Durchflusszähler auf diese Weise langsam füllen, bevor die Einlass- und Auslassventile betätigt werden.

Der Durchflusszähler ist nicht zum Betrieb mit Luft vorgesehen; Konstruktion und Werkstoffe gestatten jedoch den kurzzeitigen Betrieb mit Dampf ohne die Innenbauteile des Durchflusszählers zu beschädigen. Zu hohe Drehzahl und Betrieb unter Druckschlagbedingungen verursachen wahrscheinlich Schäden am Durchflusszähler.

Anweisungen zum Abschalten

Wenn der Durchflusszähler für längere Zeit abgeschaltet werden muss, sollte die Messkammer des Zählers gründlich gespült werden, um die Absetzung ungelöster Chemikalien oder die Ansammlung korrosiver Ablagerungen zu vermeiden.

Kalibrierung des Durchflusszählers

- Fill-Rite Zähler werden vor der Auslieferung kalibriert. Zähler der TN Serie sind für die Viskosität einer bestimmten Flüssigkeit kalibriert; wir empfehlen jedoch Durchflusszähler nach dem Einbau erneut zu kalibrieren. Das wird im nachstehenden Verfahren beschrieben.
- Es gibt keine festen Regeln für die Häufigkeit der Neukalibrierung. Der Verschleiß des Durchflusszählers hängt von der Durchflussrate und der Modellgröße, dem insgesamt gemessenen Volumen, der Schmierwirkung und Viskosität der Flüssigkeit ab. Häufig wird eine jährliche Neukalibrierung empfohlen; Abstände zwischen 6 bis 36 Monaten können jedoch angemessen sein.
- Die Daten der Neukalibrierung müssen gespeichert werden. Durch Verfolgung des Ausmaßes der Änderung jeder Neukalibrierung kann überwacht werden, ob der Durchflusszähler mit einer neuen Messkammer ausgestattet werden soll (wenn die Veränderung beachtlich zunimmt).
- Beim Neukalibrieren empfehlen wir eine Prüfung des Durchflusszählers mit der üblichen Betriebsflüssigkeit. Falls die Durchflussrate des Systems konstant ist, kann die Prüfung nur bei dieser Rate durchgeführt werden. Falls die Durchflussrate des Systems schwankt, sollte die Prüfung bei einer hohen, mittleren und niedrigen Durchflussrate durchgeführt werden.

Mechanischer Register:

1. Die Prüfung kann im Vergleich zu einem Standard, Master-Zähler oder einer Skala durchgeführt werden. Bei der Prüfung im Vergleich zu einer Skala muss ein Kalibrierungsbehälter ausgewählt werden, der mindestens 60 Sekunden Strömung aufnehmen kann. **Kurze Prüfungsdauern sind bei Neukalibrierungen nicht zulässig.**

2. Bei jeder Durchflussrate müssen 3 Prüfungen durchgeführt werden. Anhand des Mittelwertes ist der Durchflusszählerfehler zu berechnen (siehe unten).

Die Kalibrierschraube hat einen Bereich von ca. 6 % (+/-3 %). Falls der Zählerfehler größer als 3 % ist, muss die Scheibe ausgetauscht werden.

- Falls der Register **zu wenig** anzeigt, die Kalibrierschraube nach **rechts** drehen.
- Falls der Register **zu viel** anzeigt, die Kalibrierschraube nach **links** drehen.

3. 1-2 zusätzliche Prüfungen durchführen, die bestätigen, ob der Durchflusszähler nun kalibriert ist.

4. Die prozentuelle Korrektur in der Datei für den Durchflusszähler notieren und den Durchflusszähler wieder in Betrieb nehmen.

Berechnung des Zählerfehlers

Die Prüfung 3 Mal durchführen, damit jede Prüfung mit menschlichem Fehler eindeutig sichtbar ist. Solche Ergebnisse dürfen nicht berücksichtigt werden; zur Berechnung darf nur der Mittelwert der restlichen Ergebnisse benutzt werden.

Wartung

Vorbeugende Wartung

Vorbeugende Wartung besteht aus regelmäßigen Inspektions- und Reinigungsverfahren. Die Verfahren müssen in regelmäßigen Intervallen durchgeführt werden und alle erkannten Defekte müssen behoben werden, bevor der Durchflusszähler wieder in Betrieb genommen wird.



Regelmäßige Inspektion

Den Durchflusszähler einer Sichtprüfung auf fehlende Befestigungsteile, lose oder undichte Anschlüsse, gebrochenes Registerglas oder andere Anzeichen von Verschleiß oder Zustandsverschlechterung unterziehen. Die Komponenten nach Bedarf reparieren oder austauschen.

Reinigung

Allen Staub, Schmutz, Fett, Feuchtigkeit oder andere Fremdstoffe vom Äußeren des Durchflusszählers und von vorhandenen Zubehörtteilen reinigen.

Wartung

Die folgenden Anweisungen gelten für den Ausbau, die Inspektion und den Einbau von Teilen oder Baugruppen des Durchflusszählers. Die Komponentennummern sind den Abbildungen in der Teile-/Satzliste (Seite 6-8) zu entnehmen. Der Zähler der TN Serie ist für einfache Wartung bei eingebautem Zählergehäuse konzipiert.

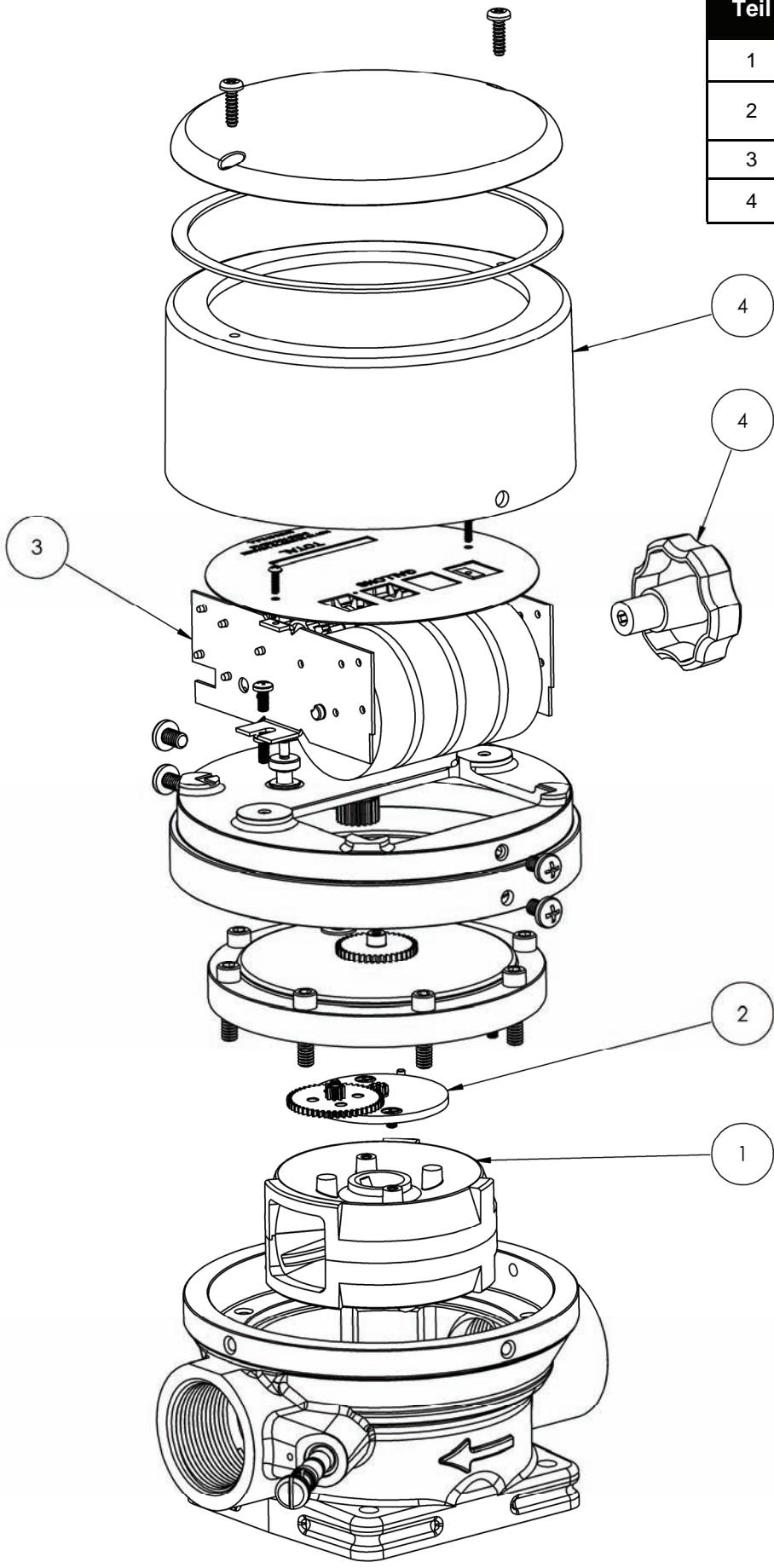
Zähler-Baugruppe

1. Die Strömung zum Zähler abschalten. Einen ausreichend bemessenen Behälter aus geeignetem Werkstoff unter den Zähler stellen, um beim Druckabbau und Ausbau austretende Flüssigkeit aufzufangen.
2. Das manuelle Bypassventil öffnen (siehe Diagramm auf Seite 3).
3. Den Zähler zerlegen, indem der Rücksetzknopf an der Seite des Zählers entfernt wird. Anschließend die zwei Kreuzschlitzschrauben entfernen, mit denen das Registergehäuse befestigt ist (Nr. 4 im Diagramm auf Seite 6). Das bietet Zugang zum Register (Teil 3), damit diese Komponenten gewartet werden können.

Störungsbeseitigung

Zustand	Wahrscheinliche Ursache und Lösung
Flüssigkeit strömt langsamer oder gar nicht.	<ul style="list-style-type: none"> • Verstopftes Sieb in der Zuleitung zum Durchflusszähler. Sieb reinigen. • Teilweise oder ganz geschlossenes Ventil in der Zu- oder Ableitung des Durchflusszählers. Ventil öffnen. • Defektes Ventil in der Zu- oder Ableitung des Durchflusszählers. Ventil reparieren. • Pumpenausfall. Pumpe reparieren. • Zähler durch Fremdkörper verstopft. Zähler reinigen und Sieb in die Zuleitung einbauen. • Zähler durch Sickerung von Chemikalien oder Wasser in den Zähler festgefroren. Zähler öffnen
Risse in der Steuerplatten-Baugruppe.	<ul style="list-style-type: none"> • Antriebszahnrad hat sich vom Durchflusszähler gelöst, der in verkehrter Strömungsrichtung betrieben wurde. Beschädigte Komponenten ersetzen und Durchflusszähler neu einbauen, um korrekte Strömungsrichtung zu gewährleisten. • Pumpenbypass ist nicht korrekt eingestellt. Nach Bedarf justieren.
Leckage am Zählerdeckel.	<p>Dichtung wurde beschädigt, gewöhnlich durch:</p> <ul style="list-style-type: none"> • Stoßartigen Druck. Dichtung austauschen und Deckel auf Schäden überprüfen. • Dichtung wurde eingeklemmt oder geknickt. Dichtung austauschen (PTFE-Dichtungen müssen jedesmal ausgetauscht werden, wenn der Zähler geöffnet wird). • Chemikalienangriff. Verträglichkeit von Dichtungswerkstoff und Flüssigkeit prüfen. Dichtung nach Bedarf durch geeignete Dichtung ersetzen. • Deckelschrauben nicht ausreichend festgezogen. Nach Bedarf neu festziehen.
Flüssigkeit strömt, wird aber nicht gemessen.	<ul style="list-style-type: none"> • Antriebszahnrad hat sich vom Durchflusszähler gelöst, der in verkehrter Strömungsrichtung betrieben wurde. Antrieb neu zusammenbauen und Durchflusszähler neu einbauen, um korrekte
Flüssigkeit strömt, wird aber nicht korrekt gemessen; der prozentuelle Fehler ist konstant.	<ul style="list-style-type: none"> • Ein großer Fehler weist auf einen nicht korrekt oder für einen anderen Volumensbereich kalibrierten Register hin. Die Verzahnung in der Zahnradplatten-Baugruppe prüfen. • Ein kleinerer Fehler kann darauf zurückzuführen sein, dass die Kalibrierung nicht für die gemessene Flüssigkeit durchgeführt wurde, oder auf Zählerverschleiß. Die Kalibrierung gemäß
Flüssigkeit strömt, wird aber nicht korrekt gemessen; der prozentuelle Fehler schwankt.	<ul style="list-style-type: none"> • Luft in den Leitungen. Die Systemkonstruktion prüfen und nach Bedarf korrigieren. • Der Zähler wurde durch Druckschläge beschädigt, der die Zähne auf der Deckplatten-Baugruppe abscherte. Deckplatten-Baugruppe überprüfen und nach Bedarf austauschen.

Teile des TN Zählers



Teil	Beschreibung
1	Taumelscheiben-Baugruppe
2	Steuerplatten-Baugruppe
3	Register
4	Registergehäuse und Rücksetzknopf

Details der Teileinformationen auf Seite 7

Teile des TN Zählers (Forts.)

Zähler der TN 740 / TN 760 Serie

Modell	Druck	125-5000 cSt	5-50,000 cSt	Flüssigkeit
TN740A	169 BAR / 1000 PSI	4-40 LPM (1-10 GPM)	1,5-15 LPM (0,4-4 GPM)	Hydraulik- und Schmieröle
TN760A	28 BAR / 400 PSI	6-57 LPM (1,5-15 GPM)	2,3-23 LPM (0,6-6 GPM)	Hydraulik- und Schmieröle

Die Kalibrierschraube kann den üblichen Durchflusszählerverschleiß ausgleichen sowie andere Flüssigkeiten, die sich innerhalb der oben definierten Gruppe befinden. Dieser Durchflusszähler kann nicht für andere Flüssigkeiten mit stark unterschiedlichen Viskositäten verwendet werden.

Teil *	Menge	TN740A	TN760A	Beschreibung
1	1	MC8600	MC8800	Taumelscheiben-Baugruppe / Messkammer
2	1	RK8101	RK8101	Steuerplatten-Baugruppe
3	1	RG3000	RG3000	Register-Baugruppe
4	1	RK3700	RK3700	Registergehäuse und Rücksetzknopf

Teilenummern sind im Diagramm auf Seite 6 zu finden.

Zähler der TN 860 Serie

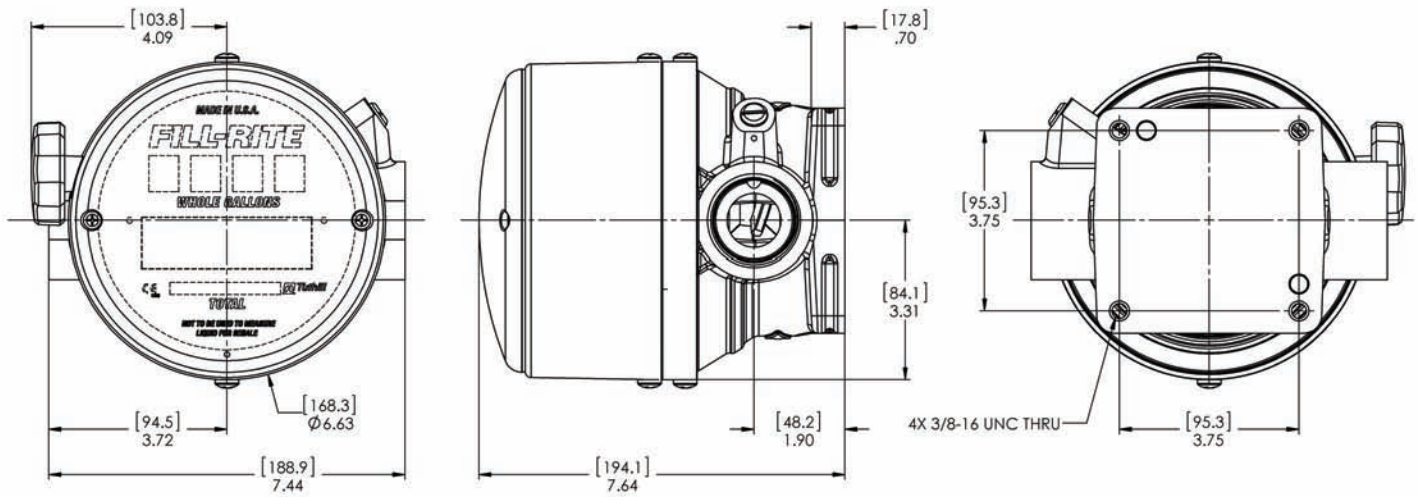
Modell	Druck	1-2 cSt	3-25 cSt *	Flüssigkeit
TN860A	10 BAR / 150 PSI	23-230 LPM (6-60 GPM)	23-230 LPM (6-60 GPM)	Wasser, Benzin, Lösungsmittel, E85 *Diesel, Kerosin, Heizöl leicht

Dieser Durchflussmesser wurde zum Einsatz in **einem bestimmten Flüssigkeitsviskositätsbereich kalibriert**. Die Kalibrierschraube kann den üblichen Durchflusszählerverschleiß ausgleichen, jedoch nicht den Einsatz mit anderen Flüssigkeiten mit stark unterschiedlicher Viskosität ermöglichen. Um den Einsatz auf eine andere Flüssigkeit umzustellen, müssen eventuell andere Antriebs- und Transfer-Zahnräder eingebaut (Spezialwerkzeug erforderlich) und eine Neukalibrierung durchgeführt werden.

Teil *	Menge	TN860A	Beschreibung
1	1	MC8800	Taumelscheiben-Baugruppe / Messkammer
2	1	RK8101	Steuerplatten-Baugruppe (Fluorkohlenstoff-Dichtungen)
2	1	RK8201	Steuerplatten-Baugruppe (PTFE-Dichtungen)
3	1	RG3000	Register-Baugruppe
4	1	RK3700	Registergehäuse und Rücksetzknopf

* Teilenummern sind im Diagramm auf Seite 6 zu finden.

Maßangaben



FILL-RITE®

8825 Aviation Drive
Ft. Wayne, IN 46809
1-800-634-2695

Besuchen Sie uns im Web unter:

www.fillrite.com

Erfahren Sie mehr über die Tuthill Corporation und unsere Angebot an hochwertigen, wertschöpfenden Produkten unter:

www.tuthill.com



Tuthill

Excellence at work. Excellence in life.