

Repair Kits (kit # / parts included)

KIT300SW: 36, Lever not shown

KIT300JC: 35, 38, 40

KIT300BV: 61, 82

KIT700SL: 42-44, 49-53

KIT300RG: 5, 6, 7, 24, 25, Cover

KIT300BG: 62

KIT300SG: 2, 3, 4

KIT120NB: 60, 61

KIT300BD*: 3, 7, 11, 15-23, 30, 33

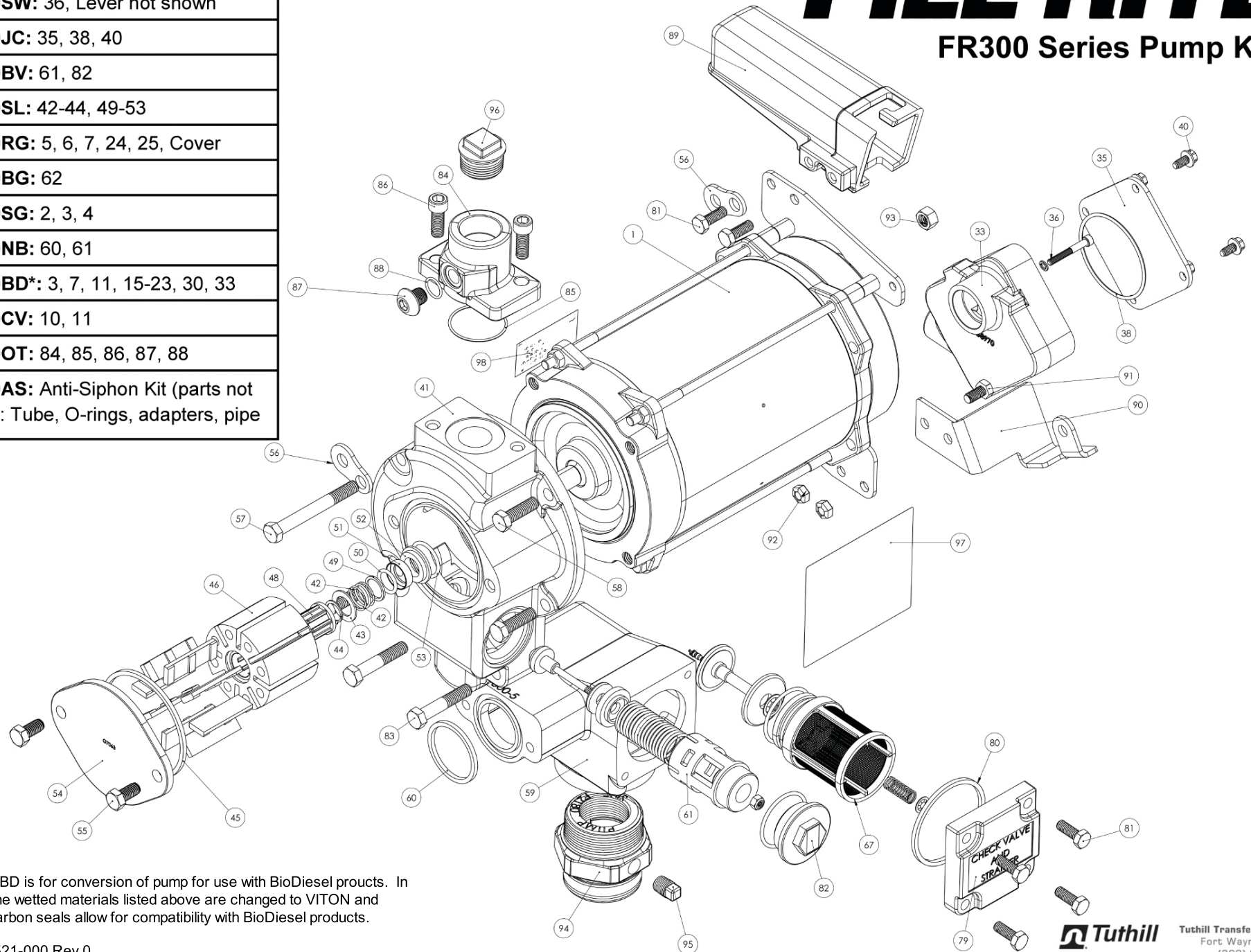
KIT300CV: 10, 11

KIT300OT: 84, 85, 86, 87, 88

KIT300AS: Anti-Siphon Kit (parts not shown): Tube, O-rings, adapters, pipe

FILL-RITE®

FR300 Series Pump Kits



*KIT300BD is for conversion of pump for use with BioDiesel products. In this kit the wetted materials listed above are changed to VITON and Fluorocarbon seals allow for compatibility with BioDiesel products.

DC000521-000 Rev 0



Tuthill Transfer Systems
Fort Wayne, Indiana
(800) 634-2695
www.tuthill.com