

Owners Installation, Operation, and Safety Manual



Digital Liquid Meter

Series 900 – High Flow

Models

900DB, 900DB1.5, 900DBBSPT, 900DB1.5BSPT

Table of Contents

Owners Installation, Operation, and Safety Manual.....	1
Table of Contents.....	2
Thank You!.....	2
About This Manual.....	2
Safety Information.....	3
Installation.....	3
Procedure for Meter Calibration.....	4
Operating Instructions.....	5
Low Battery Warning.....	6
Storage.....	6
Troubleshooting.....	6
Fluid Compatibility.....	7
Assembly and Disassembly.....	7
Illumination.....	8
Repair.....	8
Safety Testing Approvals.....	8
Replacement Parts Information.....	9

Thank You!

Thank you for your purchase of the Fill-Rite® 900 Series Digital Meter! Your Fill-Rite product comes with over 80 years of fluid transfer experience behind it, providing you the value that comes with superior performance, user friendly design, long service life, and solid, simple engineering. Experience that gives you peace of mind.

Excellence at Work. Excellence in Life

About This Manual

From initial concept and design through its final production, your Fill-Rite meter is built to give you years of trouble free use. To insure it provides that service, **it is critical that you read this entire manual prior to attempting to install or operate your new meter.** Become familiar with the terms and diagrams, and pay close attention to the highlighted areas with the following labels:



WARNING! Emphasizes an area in which personal injury or even death could result from failure to follow instructions properly. Mechanical damage may also occur.



IMPORTANT! These boxes contain information that illustrates a point that may save time or may be key to proper operation, or clarifies a step.



CAUTION! Failure to observe a “Caution” can cause damage to the equipment.

At Fill-Rite, your satisfaction with our products is paramount to us. If you have questions or need assistance with your product, please contact us at 1-800-634-2695 (M-F 8 AM–5 PM ET).

Safety Information



WARNING! To insure safe and proper operation of your equipment, it is critical to read and adhere to all of the following safety warnings and precautions. Improper installation or use of this product can cause serious bodily injury or death!

- 1) **NEVER** smoke near the meter, or use the meter near open flames when metering a flammable liquid! Fire can result!
- 2) A "Fill-Rite" Filter should be used on the meter outlet to insure no foreign material is transferred to the fuel tank.
- 3) Threaded pipe joints and connections should be sealed with the appropriate sealant or sealant tape to minimize the possibility of leaks.
- 4) Storage tanks should be securely anchored to prevent shifting or tipping when full or empty.
- 5) To minimize static electricity build up, use only static wire conductive hose when metering flammable fluids, and keep the fill nozzle in contact with the container being filled during the filling process.
- 6) **DO NOT** exceed 50 psi/ 3.5 BARS line pressure.
- 7) **DO NOT** install additional foot valve or check valve without a pressure relief valve; otherwise the meter may rupture.



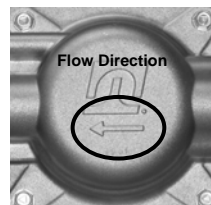
WARNING! This product shall not be used to transfer fluids into any type of aircraft.



WARNING! This product is not suited for use with fluids intended for human or animal consumption or fluids containing water. Nickel plated meters are approved for use with non-potable water, antifreeze, certain agricultural chemicals, and other specialized water applications.

Installation

Meters are furnished for horizontal piping with left to right flow (facing the front of the meter). The display can be rotated to any of four positions for horizontal or vertical piping and for either direction of flow.



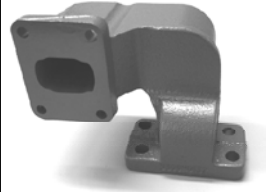
1. Determine direction for fluid to flow.
2. Install meter **observing directional arrow on casting on back of meter (circled)**. Liquid **MUST** flow in the direction of the arrow for proper operation.
3. Once the meter is plumbed into place, remove four screws (circled) on corners of meter face (Torx T25 bit required).
4. Rotate meter face assembly to desired orientation.
5. Replace four screws.
6. Complete installation by making sure the joints are properly sealed and meter is positioned for easy viewing and use.



CAUTION! Threaded pipe joints and connections should be sealed with the appropriate sealant or sealant tape to prevent the possibility of leaks.



IMPORTANT! If you have purchased this meter as part of a “Kit”, the meter flange base is drilled with 4 holes. This allows the meter to be used with 300 and 700 series pumps. Line the meter bracket up for installation and insert the bolts in the two holes that align with the corresponding holes on the pump outlet. Once the meter bracket is bolted securely in place install the two plugs in the holes that were not used to prevent moisture from entering them.



Meter Calibration

Meter calibration is required upon installation, after disassembly, after significant wear, or when dispensing a different viscosity fluid. Calibration must be done between 6 and 40 GPM (23 and 151 LPM). Meter calibration can be easily changed by following the calibration procedure. A container of **KNOWN** volume will be needed for the calibration procedure. For the 900 series digital meter, a five gallon container or larger, or a 20 liter container or larger should be used.

Procedure for Meter Calibration

Unit of measure and calibration is configured using a 3-step process.

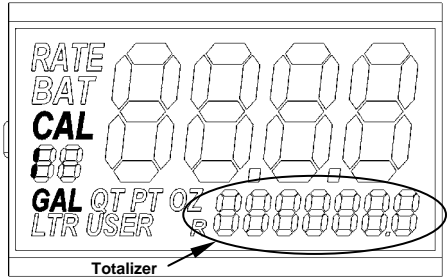
- 1) Select the desired unit of measure
- 2) Fill a container with a known volume using the desired fluid.
- 3) Enter the amount of fluid dispensed.

Prior to calibration, the unit must be placed in calibration mode. Simultaneously press and hold the CAL and TOTAL buttons for 5 seconds to enter Calibration Mode.



IMPORTANT! When calibrating, the totalizers will not increase in value.

- 1) The unit will default to the last unit of measure used.
- 2) Press and release the TOTAL button to toggle through the available units of measure.
- 3) Press and hold the CAL button for 2 seconds to move to the next step.
- 4) If the meter is left untouched for 2 minutes or the RESET button is pressed, the unit will automatically exit Calibration Mode and ignore any changes in volume.



IMPORTANT! Dispensing into a container with a known volume allows the unit to automatically calculate the internal scaling value to compensate for fluid viscosities and the system flow rate.

- 1) CAL 2 will be displayed.
- 2) Begin dispensing fluid into the container.
- 3) **FILL** will begin to blink after fluid flow is detected.
- 4) Dispense the desired amount fluid; stop flow as soon as desired level is reached.
- 5) Press and hold the CAL button for 2 seconds to move to the next step.

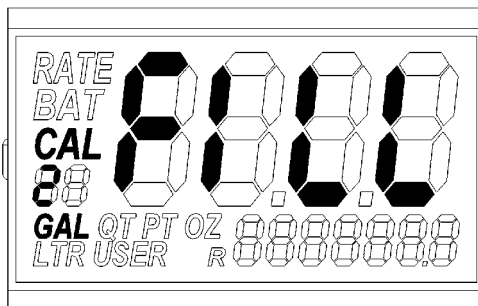


IMPORTANT! If left untouched for 2 minutes, or the RESET button is pressed, the meter will exit Calibration Mode and any dispensed fluid will be ignored.

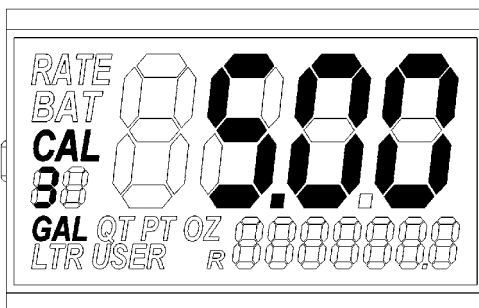
- 1) Pressing and holding the CAL button for 2 seconds before dispensing into a container will cause the meter to skip a fill operation and only change the unit of measure.



IMPORTANT! For maximum accuracy, try to get as close as possible to the dispensed volume **without changing flow rate.**



- 1) The left-most digit will begin blinking.
- 2) Use the TOTAL button to scroll from 0 to 9 until the desired number has been selected.
- 3) Press and release the CAL button to move to the next digit.
- 4) Repeat Steps 2 - 4 until the amount of dispensed fluid has been entered.
- 5) If you make a mistake entering a digit, press and release the CAL button repeatedly until the digit is active again.
- 6) Press and hold the CAL button for 2 seconds to complete the calibration process regardless of the current digit selected.
- 7) If at the last digit and the CAL



- 7) If at the last digit and the CAL button is pressed for less than 2 seconds, the process should roll back to the left-most digit, but retain the current value. This allows the user to edit an incorrect value.
- 8) An error check for gross calibration errors (+/- 15%) will be performed unless USER units are selected. If an error is detected, the meter will display Err0 until a button is pressed and the calibration process is aborted.
- 9) If the meter is left untouched for 2 minutes or the RESET button is pressed, the unit will automatically exit Calibration Mode and ignore any changes.

Operating Instructions

For accurate measurement and to prevent meter damage, dispenser and piping must always be filled with liquid and be free of air. The meter portion of your dispenser should be calibrated per instructions in this manual prior to its use.

The Fill-Rite 900 Series Digital Meter face incorporates three buttons that control all the operation and calibration functions.

To turn the display on, or wake the meter from "Sleep" mode, simply press any button on the face. The display will turn on and you can proceed with the function you desire. Dispensing fluid will also turn the meter display on.





IMPORTANT! When the meter is in the “Deep Sleep” mode, dispensing fluid will **NOT** turn the meter on. The meter will not display or accumulate any fluid that is dispensed while in “Deep Sleep” mode.

- The last count and selected totalizer is retained and displayed when the meter is turned on.
- Pressing and releasing the TOTAL button will switch between the resettable and non-resettable totalizers. (The R icon will be displayed when the resettable total is displayed).
- Pressing and holding the RESET button for 2 seconds will reset the counter.
- Pressing and holding the RESET button and TOTAL buttons for 2 seconds will reset the totalizer. **The resettable totalizer must be active in order to reset it.**
- Pressing and holding the RESET button and CAL buttons for 2 seconds will display the software version for 2 seconds and then perform a segment check for 3 seconds, and then restore the display.
- Pressing and holding the CAL button for 5 seconds will place the meter into a deep sleep mode. Pressing any button twice will bring the meter out of deep sleep mode.



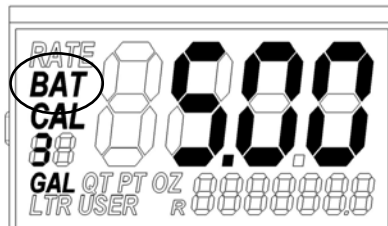
IMPORTANT! “Deep Sleep” mode is designed to maintain a status of operational readiness while offering battery conservation. The meter should be placed in this mode when:

- Flushing the unit so the dispensed volume is not counted.
- Traveling over rough surfaces (off-road) where fluid is being jostled and you don’t want volume from the motion to be counted.
- Extending battery life; there is no penalty for repeatedly placing it in deep sleep.

- After 30 seconds of inactivity, the display will blank to conserve battery power.
- If the meter is connected to the external power source, the display will not blank unless forced into deep sleep mode.
- If external power is removed, the meter will revert to battery only operating characteristics and vice-versa.
- The counter and totalizer 2 can be reset even if fluid flow is detected. The meter will continue counting during the 2 second RESET button press, then reset to 0, then resume counting.

Low Battery Warning

The digital display includes a “Low Battery” warning indicator. When the battery reaches a level low enough to require replacement, the display will show “BAT” as a reminder to change the battery. When necessary, replace batteries per procedure on page 7.



Storage

If your meter is to be stored for a period of time, clean it thoroughly. This will help protect the meter from possible damage.

Troubleshooting

The following troubleshooting guide is designed to help you with basic digital diagnostics and repairs if you should encounter abnormal service from your 900 series meter. We recommend you use only genuine Fill-Rite parts. These parts, and additional service information is available through your authorized Fill-Rite dealer.

Further troubleshooting information can be found in your pump manual. If you need additional assistance, please contact us at 1-800-634-2695 (M-F 8 AM-5 PM ET).

Concern	Possible Cause	Recommended Repair
Counter inaccurate.	Meter mis-calibrated.	Check calibration and recalibrate as necessary (directions on page 4).
	Air in lines or metering chamber.	Check line seals and joints for leakage; seal leaks appropriately.
	Measuring disc is sticking.	Clean or replace internal metering components as necessary.
Low flow capacity.	Clogged meter chamber.	Clean meter chamber; clean or replace screens and filters in piping.
Meter body cracks.	Excess line pressure.	Install pressure relief valve to allow high pressure to bleed back to the tank. Replace meter.
Nutating Disc Broken.	Sudden high pressure fluid hitting disc.	Avoid surge flows by installing a shut-off valve on outlet of meter; install meter as close to the pump as possible, keep piping full of liquid. Replace meter chamber assembly.

Fluid Compatibility

The 900DB series meter **IS** compatible with the following fluids:

Diesel Fuel Bio-Diesel (up to B20) Mineral Spirits Heptane Hexane Gasoline, E15

The 900DB series meter **IS NOT** compatible with the following fluids:

Bleach Hydrochloric Acid Ink Sulfuric Acid Salt Water



CAUTION! If in doubt about compatibility of a specific fluid, contact supplier of fluid to check for any adverse reactions to the following wetted materials:

Aluminum Stainless Steel Fluorocarbon Buna N Polyester Nickel Acetal

Assembly and Disassembly

The 900 Series Digital Meter consists of a chamber housing, measuring chamber, drive shaft, digital counter assembly, and cover. The design of the meter is such that it can be completely disassembled without disturbing the piping (refer to diagram on page 9 for item number parts).

Accessing the Battery

For access to the batteries (2 AA batteries) (figure 1):

- 1) Remove the four screws at the top and bottom of the front bezel (Torx #T25).
- 2) Lift bezel off. Batteries are located on the back side of the display; use a Phillips head screwdriver to remove the cover screws to access the batteries.
- 3) Reassemble by reversing this procedure.

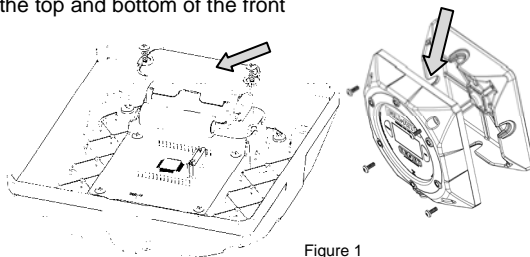


Figure 1



WARNING! To reduce the risk of ignition of a flammable explosive atmosphere, batteries **MUST** be changed **ONLY** in a location known to be non-hazardous.



WARNING! To reduce the risk of explosion **DO NOT** mix old batteries with new batteries, or mix batteries of different manufacturers.



WARNING! Batteries may **ONLY** be replaced with the following:

- Duracell MN1500
- Duracell MX1500
- Energizer E91

Meter Chamber Assembly

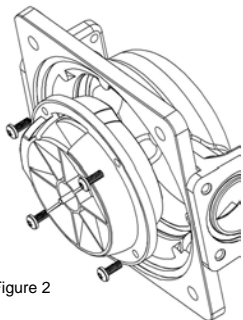


Figure 2

The Meter Chamber consists of upper and lower chambers, a nutating disc, and four screws (figure 2).

- 1) To expose the meter chamber assembly and seal remove the 4 screws.
- 2) The meter chamber can be dislodged by removing the 4 screws (see figure 2).

Reassemble by reversing this procedure.



IMPORTANT! If replacing any components of the meter chamber, **the complete assembly must be replaced due to its precision method of construction.** This will assure a proper fit, and correct operation of the chamber.

Repair

Meters needing repairs should be taken to an authorized repair facility. Meters **MUST** be triple rinsed before taking them in for repairs.



IMPORTANT! When returning a meter for service, it must be triple rinsed and accompanied by a note stating what chemicals have been pumped through it. Meters not adhering to these specifications may be refused for service.

Safety Testing Approvals

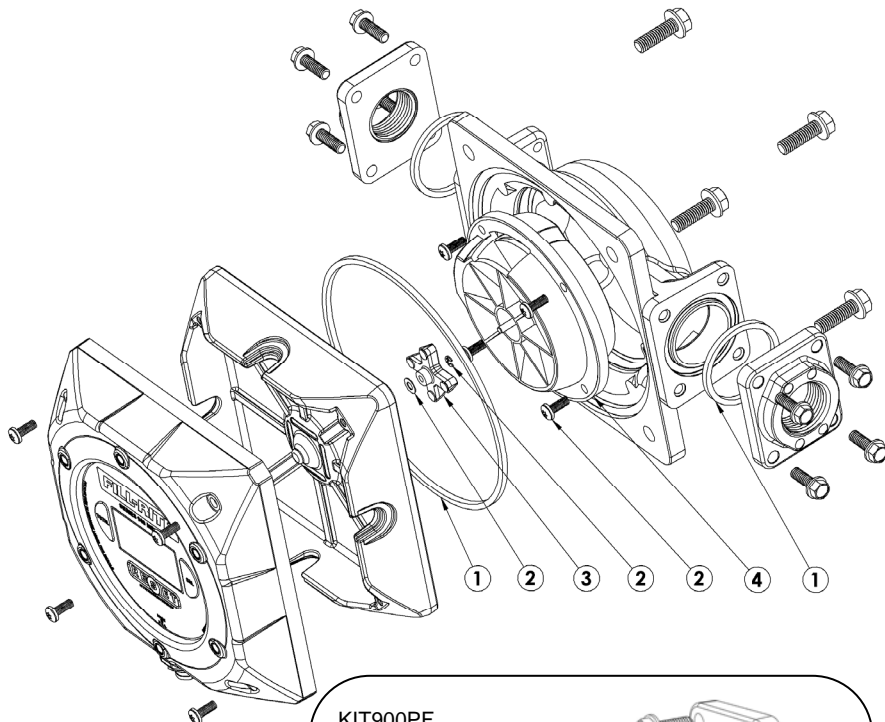
The **Fill-Rite** 900DB series meters have been tested for compliance to the standards set forth by Underwriters Laboratories (UL), UL Canada, ATEX, and other testing organizations. **To determine which specific compliances apply to your particular meter, refer to the faceplate for information and compliance logos.**



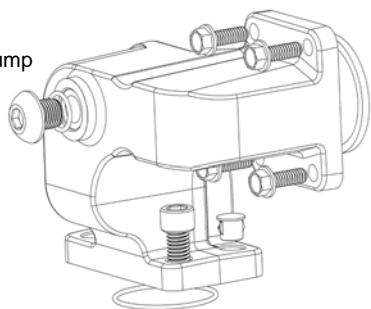
Replacement Parts Information

Replacement parts can be obtained through any authorized Fill-Rite dealer. Be sure to use only genuine Fill-Rite replacement parts for your service and maintenance needs.

Models 900DB, 900DB1.5, 900DBBSPT, 900DB1.5BSPT



KIT900PF
Meter to Pump
Flange Kit



900 Series Digital Meter Replacement Parts Kit

Kit Number	#	Description	Qty
900DBKT	1	Required Seal	3
	2	Required Fasteners	6
	3	Magnetic Driver	1
	4	Chamber Assembly	1

Electrical Installation Information

Internal Power (Battery Power)

All 900DB Series Digital Meters are battery powered. The meter is equipped with a battery tray located behind the faceplate on the circuit board itself. Power on these units is supplied by two alkaline “AA” batteries. With normal use, these batteries should provide 2 – 4 years of use. The digital display contains an integral warning of low battery level (see page 6 for details). If there are questions regarding appropriate replacement batteries for your meter, please contact your Fill-Rite Customer Service Technical Support Representative at 1-800-634-2695 (M-F 8 AM–5 PM ET). Incorrect battery selection may void UL certification.



WARNING! To reduce the risk of explosion **DO NOT** mix old batteries with new batteries, or mix batteries of different manufacturers.



WARNING! Batteries may **ONLY** be replaced with the following:

- Duracell MN1500
- Duracell MX1500
- Energizer E91

Tuthill Product Warranty

Tuthill Transfer Systems (“Manufacturer”) warrants each consumer buyer of its Fill-Rite products (“Buyer”) from the date of invoice or sales receipt, that goods of its manufacture (“Goods”) shall be free from defects of materials and workmanship. Duration of the warranty is as follows:

- Heavy Duty Products – Two Years

Manufacturers sole obligation under the foregoing warranties will be limited to either – at Manufacturers option – repairing or replacing defective goods (subject to limitations hereinafter provided) or refunding the purchase price for such Goods theretofore paid by the buyer, and Buyers exclusive remedy for breach of any such warranties will be enforcement of such obligations of the Manufacturer. If the Manufacturer so requests the return of such Goods, the Goods will be redelivered to the manufacturer in accordance with Manufacturers instructions FOB Factory. The remedies contained herein shall constitute the sole recourse of the Buyer against the Manufacturer for breach of warranty. **IN NO EVENT SHALL THE MANUFACTURER’S LIABILITY FOR ANY CLAIM FOR DAMAGES ARISING OUT OF THE MANUFACTURE, SALE, DELIVERY, OR USE OF THE GOODS EXCEED THE PURCHASE PRICE.** The foregoing warranties will not extend to goods subject to misuse, neglect, accident, improper installation or maintenance, or have been repaired by anyone other than the Manufacturer or its authorized representative. **THE FOREGOING WARRANTIES ARE EXCLUSIVE AND IN LIEU OF ALL OTHER WARRANTIES OF MERCHANTABILITY, FITNESS FOR PURPOSE OF ANY OTHER TYPE, WHETHER EXPRESSED OR IMPLIED.** No person may vary the forgoing warranties or remedies, except in writing signed by a duly authorized officer of the Manufacturer. The Buyer’s acceptance of delivery of the Goods constitutes acceptance of the foregoing warranties and remedies, and all conditions and limitations thereof.

Tuthill Corporation recommends you retain your sales receipt as proof of purchase.

Technical Specifications and Information

Dimensions: 6.75" (H) x 8.46" (W) x 4.12" (D)

Accuracy: $\pm 1.25\%$

Repeatability: $\pm 0.25\%$ at calibrated flow rate.

Flow Rate: 6 to 40 GPM

Pressure Rating: 50 psi

Construction: Aluminum

Units of Measure: ounces, pints, quarts, liters, gallons, 1 "Special Unit of Measure" option.

Counter: 4 digit resettable counter; (.01 – 9999 units).

Totalizers: 7 digit non-resettable "Master" totalizer, 7- digit resettable secondary.

Mounting Options: Can be installed for vertical or horizontal mounting by rotating display accordingly.

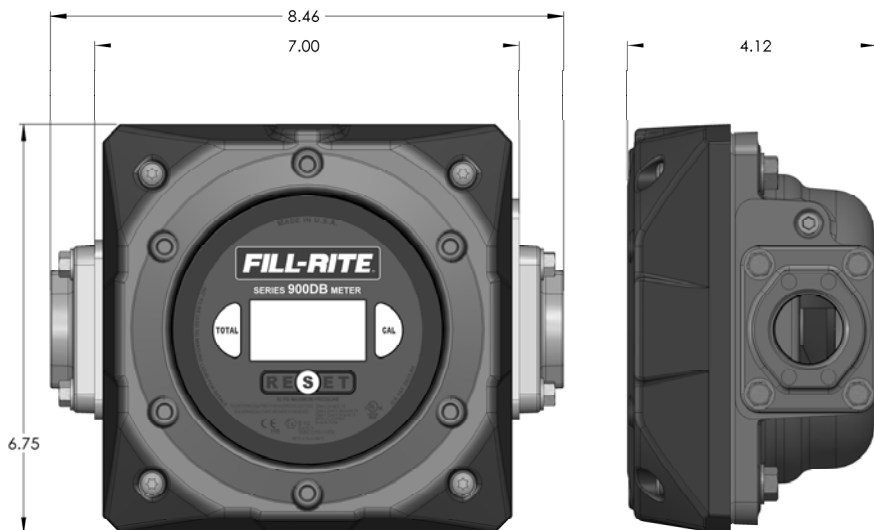
Approvals: UL / cUL / ATEX Listing (see page 8 for information on specific certifications).

Power Supply: 2 "AA" batteries* (Alkaline or approved equivalent; Lithium optional for extended battery life*); optional external power supply on certain models.

Expected Battery Life: 2 – 4 years of normal use with standard Alkaline batteries.

Operating Temperature Range:

- 900DB: -40° to 140° F (-40° to 60° C)
- 900DBP: -40° to 180° F (-40° to 80° C)



NOTES



FILL-RITE.

Medidor digital de líquido

Serie 900 – Flujo alto

Modelos

900DBB, 900DBB1.5, 900DBBSPT, 900DBB1.5BSPT

Tabla de contenido

Manual de instalación, operación y seguridad del propietario	1
Tabla de contenido	2
¡Gracias!	2
Acerca de este manual	2
Información de seguridad	3
Instalación	3
Procedimiento para la calibración del medidor	4
Instrucciones de operación	5
Advertencia de pilas descargadas	6
Almacenamiento	6
Solución de problemas	6
Compatibilidad de líquidos	7
Montaje y desmontaje	7
Reparación	8
Aprobaciones de pruebas de seguridad	8
Información sobre repuestos	9

¡Gracias!

Gracias por adquirir el medidor digital Fill-Rite® serie 900. Su producto Fill-Rite cuenta con más de 80 años de experiencia en transferencia de líquidos, lo que le brindará valor, junto con un rendimiento superior, un diseño fácil de usar, una larga vida útil y un diseño de ingeniería simple y resistente. La experiencia que le proporciona tranquilidad.

Excelencia en el trabajo. Excelencia en la vida.

Acerca de este manual

Desde el concepto y el diseño inicial hasta el producto final, el medidor Fill-Rite se fabrica para darle años de servicio sin ningún problema. Para garantizar dicho servicio, **es fundamental que lea por completo este manual antes de intentar instalar y operar su nuevo medidor.**

Familiarícese con los términos y diagramas, y ponga mucha atención a las áreas destacadas con las siguientes etiquetas:



¡ADVERTENCIA! Destaca un área en que se pueden producir lesiones corporales e incluso la muerte si no se siguen las instrucciones de manera adecuada. También se pueden producir daños mecánicos.



¡IMPORTANTE! Estos cuadros contienen información que ilustra un punto que podría ahorrar tiempo o ser clave para la operación adecuada, o que clarifica un paso.



¡PRECAUCIÓN! No poner atención al aviso de "Precaución" podría provocar daños al equipo.

En Fill-Rite, su satisfacción con nuestros productos es primordial para nosotros. Si tiene cualquier duda o necesita asistencia con nuestros productos, comuníquese con nosotros al 1-800-634-2695 (lunes a viernes de 8 a.m. a 5 p.m., hora del Este).

Información de seguridad



¡ADVERTENCIA! Para garantizar la operación segura y adecuada del equipo, es fundamental que lea y respete todas las precauciones y advertencias de seguridad que se indican a continuación. La instalación o el uso incorrectos de este producto pueden provocar lesiones físicas graves o la muerte.

- 1) **NUNCA** fume cerca del medidor ni lo utilice cerca de una llama mientras mida un líquido inflamable. Se puede producir un incendio.
- 2) En el orificio de salida del medidor se debe usar un filtro "Fill-Rite" para garantizar que ningún material extraño se transfiera al tanque de combustible.
- 3) Las juntas de tuberías roscadas y las conexiones se deben sellar con un sellador adecuado o cinta selladora para minimizar las posibilidades de filtraciones.
- 4) Los tanques de almacenamiento deben estar correctamente anclados para evitar su desplazamiento o volcamiento cuando estén llenos o vacíos.
- 5) Para minimizar la acumulación de electricidad estática, utilice sólo un tubo flexible conductor de cableado estático cuando mida líquidos inflamables y mantenga la boquilla llena en contacto con el recipiente que se esté llenando durante el proceso de llenado.
- 6) **NO** exceda los 3,5 bar (50 psi) de presión en la tubería.
- 7) **NO** instale una válvula de contención o una válvula de retención adicional sin una válvula de alivio de presión, de lo contrario el medidor podría romperse.



¡ADVERTENCIA! Este producto no se debe utilizar para transferir líquidos a ningún tipo de aeronave.



¡ADVERTENCIA! Este producto no es apto para su uso con líquidos destinados al consumo humano o líquidos que contengan agua. Los medidores niquelados están aprobados para su uso con agua no potable, anticongelante, ciertos productos químicos para la agricultura y otras aplicaciones de agua especializadas.

Instalación

Los medidores están diseñados para una disposición horizontal de las tuberías, con flujo de izquierda a derecha (de frente al medidor). La pantalla se puede girar a cualquiera de las cuatro posiciones para un sistema de tuberías horizontal o vertical, y para cualquier dirección de flujo.



1. Determine la dirección de flujo del líquido.
2. Instale el medidor **teniendo presente la flecha direccional en la pieza fundida en la parte trasera del medidor (indicada en el círculo). El líquido DEBE fluir en la dirección de la flecha** para que funcione correctamente.
3. Una vez que el medidor esté nivelado en su posición, retire los cuatro tornillos (indicados en círculos) en las esquinas de la superficie del medidor (se requiere una llave Torx T25).
4. Gire el conjunto de la superficie del medidor en la orientación que desee.
5. Vuelva a colocar los cuatro tornillos.
6. Complete la instalación asegurándose de que las juntas estén correctamente selladas y el medidor esté posicionado para que se pueda ver y usar fácilmente.



¡PRECAUCIÓN! Las juntas de tuberías roscadas y las conexiones se deben sellar con un sellador adecuado o cinta selladora para evitar las posibilidades de filtraciones.



¡IMPORTANTE! Si compró este medidor como parte de un “juego”, la base del reborde del medidor tiene 4 orificios taladrados. Esto permite que el medidor se use con las bombas de las series 300 y 700. Alinee el soporte del medidor para la instalación e inserte los pernos en los dos orificios que se alinean con los orificios correspondientes en la salida de la bomba. Una vez que el soporte del medidor esté apertado fijamente en su lugar, instale los dos tapones en los orificios que no se usaron para evitar que la humedad entre a ellos.



Calibración del medidor

El medidor se debe calibrar después de la instalación, después del desmontaje, cuando presente desgaste significativo o al verter un líquido con una viscosidad distinta. La calibración se debe realizar entre 23 y 151 LPM (6 y 40 GPM). La calibración del medidor se puede cambiar fácilmente siguiendo el procedimiento de calibración. Se necesitará un recipiente con un volumen **CONOCIDO** para el proceso de calibración. Para el medidor digital de la serie 900 se debe usar un recipiente de 20 litros o más (5 galones o más).

Procedimiento para la calibración del medidor

La unidad de medida y la calibración se configuran mediante un proceso de 3 pasos.

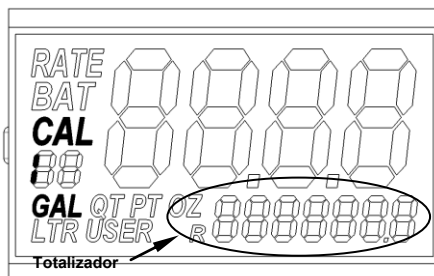
- 1) Seleccione la unidad de medida que desee.
- 2) Llene un recipiente con volumen conocido con el líquido que desee.
- 3) Ingrese la cantidad de líquido vertida.

Antes de la calibración, la unidad se debe colocar en modo de calibración. Mantenga presionado al mismo tiempo los botones CAL y TOTAL por 5 segundos para ingresar al modo de calibración.



¡IMPORTANTE! Al calibrar, los totalizadores no aumentarán en valor.

- 1) La unidad se ajusta de manera predeterminada en la última unidad de medida utilizada.
- 2) Presione y suelte el botón TOTAL para alternar entre las unidades de medida disponibles.
- 3) Mantenga presionado el botón CAL por 2 segundos para ir al siguiente paso.
- 4) Si no se toca el medidor por 2 minutos o si se presiona el botón RESET (Restablecer), la unidad saldrá automáticamente del modo de calibración e ignorará cualquier cambio de volumen.



¡IMPORTANTE! Verter en un recipiente con volumen conocido permite que la unidad calcule automáticamente el valor de la escala interna para compensar las viscosidades de los líquidos y la velocidad de flujo del sistema.

- 1) Aparecerá CAL 2.
- 2) Comience a verter el líquido al recipiente.
- 3) **FILL** (Llenar) comenzará a parpadear después de que se detecte el líquido.
- 4) Vierta la cantidad de líquido que desee y detenga el flujo tan pronto como alcance el nivel deseado.
- 5) Mantenga presionado el botón CAL por 2 segundos para ir al siguiente paso.

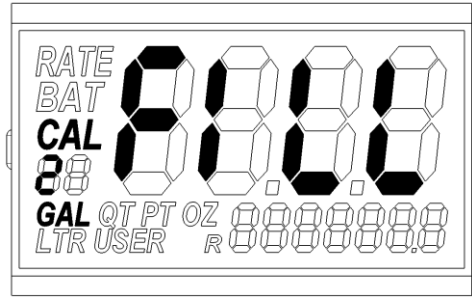


¡IMPORTANTE! Si no se toca el medidor por 2 minutos o se presiona el botón RESET, éste saldrá del modo de calibración e ignorará cualquier líquido vertido.

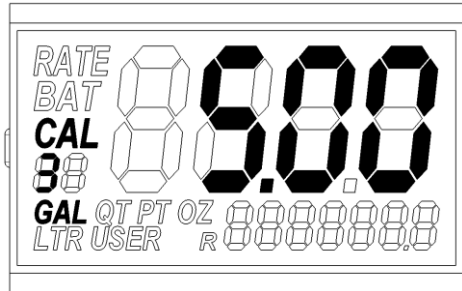
- 1) Si se mantiene presionado el botón CAL por 2 segundos antes de verter al recipiente, el medidor omitirá una operación de llenado y solo cambiará la unidad de medida.



¡IMPORTANTE! Para lograr una máxima precisión, intente llegar lo más cerca posible del volumen vertido, **sin cambiar la velocidad de flujo**.



- 1) El dígito más a la izquierda comenzará a parpadear.
- 2) Use el botón TOTAL para desplazarse de 0 a 9 hasta seleccionar el número deseado.
- 3) Presione y suelte el botón CAL para pasar al siguiente dígito.
- 4) Repita los pasos 2 y 4 hasta que se haya ingresado la cantidad de líquido vertido.
- 5) Si se equivoca al ingresar un dígito, presione y suelte el botón CAL repetidamente hasta que se active nuevamente el dígito.
- 6) Mantenga presionado el botón CAL por 2 segundos para completar el proceso de calibración independiente del dígito actual seleccionado.
- 7) Si está en el último dígito y presiona el botón CAL por menos de 2 segundos, el proceso volverá al dígito más a la izquierda, pero mantendrá el valor actual. Esto le permite al usuario editar un valor incorrecto.
- 8) Se realizará una revisión de errores para detectar errores graves de calibración (+/- 15%) a menos que se seleccionen unidades de USUARIO. Si se detecta un error, el medidor mostrará Err0 hasta que se presione un botón y se cancele el proceso de calibración.
- 9) Si no se toca el medidor por 2 minutos o si se presiona el botón RESET (Restablecer), la unidad saldrá automáticamente del modo de calibración e ignorará cualquier cambio.



Instrucciones de operación

Para obtener mediciones precisas y evitar que el medidor se dañe, el dispensador y el sistema de tuberías siempre deben estar llenos con líquido y no deben tener aire. La parte del medidor del dispensador se debe calibrar según las instrucciones en este manual antes del uso.

La superficie del medidor digital de Fill-Rite de la serie 900 incorpora tres botones que controlan todas las operaciones y las funciones de calibración.

Para encender la pantalla o reactivar el medidor desde el modo de "suspensión", simplemente presione cualquier botón en la superficie. La pantalla se encenderá y puede continuar con la función que desee. Al verter líquido también se encenderá la pantalla.





¡IMPORTANTE! Cuando el medidor está en el modo de “espera reforzada”, verter líquidos **NO** encenderá el medidor. El medidor no mostrará ni acumulará ningún líquido que se vierta mientras el medidor esté en el modo de “espera reforzada”.

- El último conteo y el totalizador seleccionado se mantienen y se muestran cuando se enciende la pantalla.
- Al presionar y soltar el botón TOTAL se alternará entre los totalizadores con y sin restablecimiento. (Aparecerá el icono R cuando se muestre el total con restablecimiento).
- Al mantener presionado el botón RESET por 2 segundos se restablecerá el contador.
- Al mantener presionado los botones RESET y TOTAL por 2 segundos se restablecerá el totalizador. **El totalizador con restablecimiento debe estar activo para poder restablecerlo.**
- Al mantener presionado los botones RESET y CAL por 2 segundos aparecerá la versión del software por 2 segundos y luego se realizará una revisión de segmento por 3 segundos, para luego restablecer la pantalla.
- Al mantener presionado el botón CAL por 5 segundos el medidor entrará en el modo de “espera reforzada”. Si presiona cualquier botón dos veces, se sacará el medidor del modo de espera reforzada.



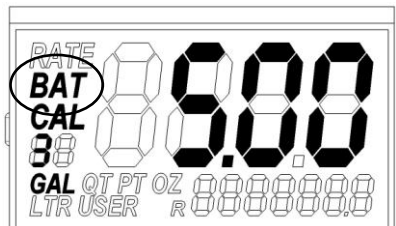
¡IMPORTANTE! El modo de “espera reforzada” está diseñado para mantener un estado de preparación operacional al mismo tiempo que se conserva la pila. El medidor se debe colocar en este modo cuando:

- Se purgue la unidad de manera que el volumen vertido no se cuente.
- Se desplace por superficies ásperas (fuera del camino) donde los líquidos se estén empujando y no desee que se cuente el volumen provocado por el movimiento.
- Se prolongue la vida útil de la pila, no hay multa por poner repetidamente en modo de espera reforzada.

- Después de 30 segundos de inactividad, la pantalla quedará en blanco para conservar la energía de la pila.
- Si el medidor está conectado a una fuente de alimentación externa, el medidor no quedará en blanco a menos que sea forzada a entrar en el modo de “espera reforzada”.
- Si se retira la fuente de alimentación externa, el medidor volverá a las características de funcionamiento solo con pila y viceversa.
- El contador y el totalizador 2 se pueden restablecer incluso si se detecta flujo de líquido. El medidor seguirá contando durante los 2 segundos que se mantiene presionado el botón RESET, luego se restablecerá en 0 y después seguirá contando.

Advertencia de pilas descargadas

La pantalla digital incluye un indicador de advertencia de “Pila baja”. Cuando la pila llegue a un nivel lo suficientemente bajo como para necesitar un reemplazo, la pantalla mostrará “BAT” como un recordatorio para cambiar la pila. Cuando sea necesario, reemplace las pilas según el procedimiento de la página 7.



Almacenamiento

Si se va a almacenar el medidor por un periodo prolongado, límpielo completamente. Esto ayudará a proteger el medidor de posibles daños.

Solución de problemas

La siguiente guía de solución de problemas está diseñada para ayudarle con las reparaciones y diagnósticos digitales básicos en caso de que hubiera algún problema con el funcionamiento de su medidor de la serie 900. Recomendamos que use solo piezas Fill-Rite originales. Estas

piezas, así como información de mantenimiento adicional, están disponibles mediante su distribuidor Fill-Rite autorizado.

En el manual de la bomba puede encontrar más información sobre la solución de problemas. Si necesita más asistencia, comuníquese con nosotros al 1-800-634-2695 (lunes a viernes de 8 a.m. a 5 p.m., hora del Este).

Problema	Causa posible	Reparación recomendada
Cuento no preciso.	Mala calibración del medidor.	Revise la calibración y vuelva a calibrar según sea necesario (instrucciones en la página 4).
	Aire en la tubería o en la cámara del medidor.	Revise los sellos de las tuberías y las juntas en busca de filtraciones. Selle las juntas correctamente.
	El disco de medición está bloqueado.	Limpie o reemplace los componentes de medición internos según sea necesario.
Baja capacidad de flujo.	Cámara del medidor obstruida.	Limpie la cámara del medidor, limpie o reemplace las rejillas o los filtros en las tuberías.
Grietas en el cuerpo del medidor.	Presión excesiva en la tubería.	Instale una válvula de alivio de presión para permitir que la presión alta se purgue de vuelta al tanque. Reemplace el medidor.
Disco de nutación roto.	Alta presión repentina del líquido golpea el disco.	Evite las subidas de flujo al instalar una válvula de cierre en la salida del medidor. Instale el medidor lo más cerca posible de la bomba y mantenga la tubería llena de líquido. Reemplace el conjunto de la cámara del medidor.

Compatibilidad de líquidos

El medidor de la serie 900DBB ES compatible con los siguientes líquidos:

Combustible diesel, biodiesel (hasta B20), alcoholes minerales, heptano, hexano, gasolina E15

El medidor de la serie 900DBB NO ES compatible con los siguientes líquidos:

Cloro, ácido clorhídrico, tinta, ácido sulfúrico, agua salada



¡PRECAUCIÓN! Si tiene dudas sobre la compatibilidad de líquidos específicos, comuníquese con el proveedor del líquido para verificar cualquier reacción adversa con los siguientes materiales húmedos:

Aluminio, acero inoxidable, fluorocarburo, buna N, poliéster, níquel, acetato

Montaje y desmontaje

El medidor digital de la serie 900 consta de un alojamiento de la cámara, una cámara de medición, un eje de transmisión, un conjunto del contador digital y una cubierta. El medidor está diseñado de manera que se puede desmontar completamente sin perturbar el sistema de tuberías (consulte el diagrama en la página 9 para ver los números de piezas de los artículos).

Acceso a las pilas

Para tener acceso a las pilas (2 pilas AA) (Figura 1):

- 1) Retire los cuatro tornillos en la parte superior e inferior de la tapa frontal (llave Torx n° T25).
- 2) Retire la tapa. Las pilas están ubicadas en la parte posterior de la pantalla. Use un destornillador Phillips para retirar los tornillos de la cubierta y tener acceso a las pilas.
- 3) Para volver a montar, invierta el procedimiento.

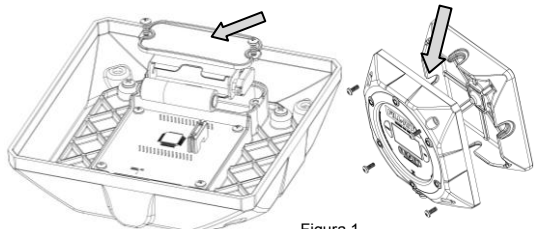


Figura 1



¡ADVERTENCIA! Para reducir el riesgo de inflamación en una atmósfera explosiva inflamable, las baterías SOLO se DEBEN cargar en un lugar que no sea peligroso.



¡ADVERTENCIA! Para reducir el riesgo de explosión **NO** mezcle pilas antiguas con pilas nuevas, ni mezcle pilas de diferentes fabricantes.



¡ADVERTENCIA! Las pilas **SOLO** se pueden reemplazar por las siguientes:

- Duracell MN1500
- Duracell MX1500
- Energizer E91

Conjunto de la cámara del medidor

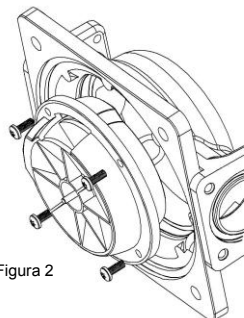


Figura 2

La cámara del medidor consta de las cámaras superior e inferior, un disco de nutación y cuatro tornillos (Figura 2).

- 1) Retire los 4 tornillos para exponer el conjunto de la cámara del medidor y el sello.
- 2) La cámara del medidor se puede sacar al retirar los 4 tornillos (consulte la Figura 2).

Para volver a montar, invierta el procedimiento.



¡IMPORTANTE! Si se reemplaza cualquier componente de la cámara del medidor, **se debe reemplazar el conjunto completo debido a su método de fabricación de precisión.** Esto asegurará un ajuste adecuado y una correcta operación de la cámara.

Reparación

Los medidores que necesiten reparaciones se deben llevar a una instalación de reparación autorizada. Los medidores se DEBEN enjuagar tres veces antes de llevarlos a reparaciones.



¡IMPORTANTE! Al enviar un medidor a mantenimiento, se debe enjuagar tres veces y se debe acompañar con una nota que indique qué productos químicos se han bombeado por él. Los medidores que se no apeguen a estas especificaciones podrían ser rechazados.

Aprobaciones de pruebas de seguridad

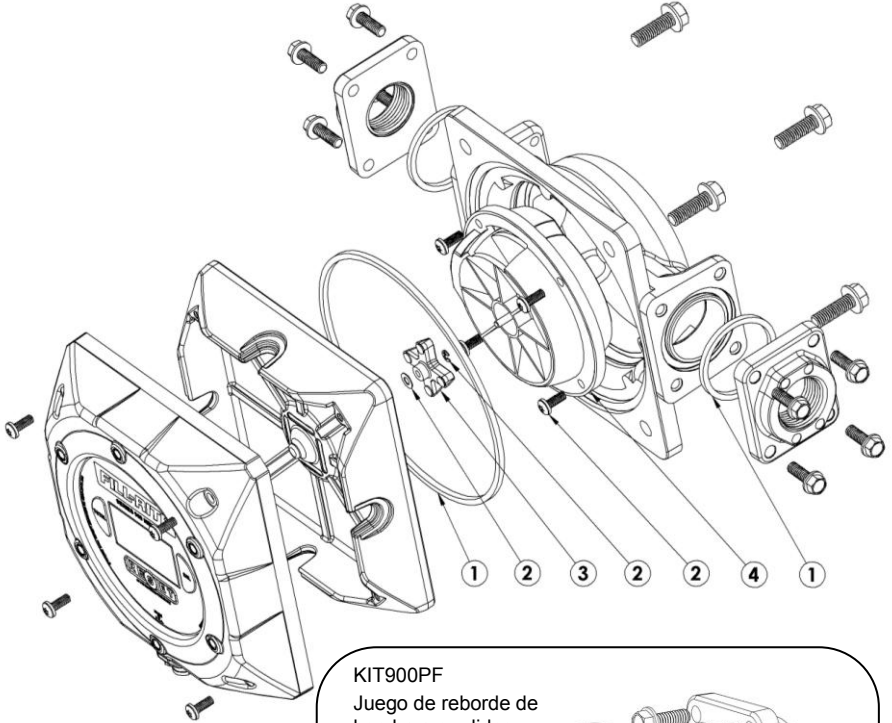
Los medidores de *Fill-Rite* de la serie 900DB han pasado pruebas de seguridad para cumplir los estándares establecidos por Underwriters Laboratories (UL), UL Canada, ATEX y otras organizaciones reguladoras. **Para determinar qué estándares específicos se aplican a su medidor en particular, consulte la placa frontal para ver la información y los logos de cumplimiento.**



Información sobre repuestos

Los repuestos se pueden obtener por medio de un distribuidor Fill-Rite autorizado. Asegúrese de utilizar solo piezas de repuesto originales de Fill-Rite para sus necesidades de servicio y mantenimiento.

Modelos 900DB, 900DB1.5, 900DBSPT, 900DB1.5BSPT



KIT900PF
Juego de reborde de
bomba a medidor

Juego de repuestos para el medidor digital de la serie 900			
Número del juego	N°	Descripción	Cant.
900DBKT	1	Sello necesario	3
	2	Sujetadores necesarios	6
	3	Impulsor magnético	1
	4	Conjunto de la cámara	1

Información sobre la instalación eléctrica

Energía interna (energía de las pilas)

Los medidores de la serie 900DB son alimentados por pilas. El medidor está equipado con una bandeja para pilas ubicada detrás de la placa frontal en la misma placa de circuito. Dos pilas alcalinas tamaño "AA" proporcionan energía a estas unidades. Con uso normal, estas pilas deberían proporcionar entre 2 a 4 años de uso. La pantalla digital contiene una advertencia integral de bajo nivel de la pila (consulte la página 6 para conocer más detalles). Si tiene alguna pregunta en relación con las pilas de reemplazo adecuadas para su medidor, comuníquese con su representante de asistencia técnica del Departamento de Servicio al Cliente de Fill-Rite al 1-800-634-2695 (lunes a viernes de 8 a.m. a 5 p.m., hora del Este). La elección incorrecta de pilas de reemplazo podría anular la certificación UL.



¡ADVERTENCIA! Para reducir el riesgo de explosión **NO** mezcle pilas antiguas con pilas nuevas, ni mezcle pilas de diferentes fabricantes.



¡ADVERTENCIA! Las pilas **SOLO** se pueden reemplazar por las siguientes:

- Duracell MN1500
- Duracell MX1500
- Energizer E91

Garantía de productos Tuthill

Tuthill Transfer Systems (en adelante el "Fabricante") garantiza a cada comprador consumidor de sus productos Fill-Rite (en adelante el "Comprador"), a partir de la fecha de la factura o comprobante de venta, que los productos fabricados por la empresa (en adelante los "Productos") no presentarán defectos de materiales ni de fabricación. La duración de la garantía es la siguiente:

- Productos para servicio pesado: dos años

La obligación exclusiva del Fabricante, de acuerdo con las garantías anteriores, se limitará, según la opción del Fabricante, a la reparación o reemplazo de los Productos defectuosos, (sujeto a las limitaciones que se indican más adelante) o al reembolso del valor de la compra de tales Productos pagados hasta entonces por el Comprador. El único recurso de los Compradores por el incumplimiento de cualquiera de estas garantías será el cumplimiento de tales obligaciones del Fabricante. Si el Fabricante solicita la devolución de tales Productos, estos se le reenviarán de acuerdo con las instrucciones de franco a bordo de la fábrica del Fabricante. Los recursos que se indican en este documento constituirán el único recurso del Comprador contra el Fabricante por el incumplimiento de la garantía. **EN NINGÚN CASO LA RESPONSABILIDAD DEL FABRICANTE POR CUALQUIER RECLAMO POR DAÑOS QUE SURJAN DE LA FABRICACIÓN, VENTA, ENTREGA O USO DE LOS PRODUCTOS EXCEDERÁ EL VALOR DE LA COMPRA.** Las garantías anteriores no se extenderán a los productos sujetos a un uso indebido, negligencia, accidente, mantenimiento o instalación incorrecta, o que hayan sido reparados por alguien que no sea el Fabricante o sus representantes autorizados. **LAS GARANTÍAS ANTERIORES SON EXCLUSIVAS Y REEMPLAZAN TODA OTRA GARANTÍA DE COMERCIABILIDAD, IDONEIDAD PARA UN PROPÓSITO DE CUALQUIER OTRO TIPO, YA SEA EXPRESA O IMPLÍCITA.** Ninguna persona podrá variar las garantías o recursos anteriores excepto por escrito y firmado por un trabajador debidamente autorizado por el Fabricante. La aceptación de la entrega de los Productos al Comprador constituye la aceptación de los recursos y las garantías anteriores, al igual que de todas las condiciones y limitaciones del presente documento.

Tuthill Corporation recomienda que conserve el comprobante de venta como prueba de su compra.

Información y especificaciones técnicas

Dimensiones: 17,15 cm (Al) x 21,49 cm (An) x 10,46 cm (P)

Precisión: $\pm 1,25\%$

Repetibilidad: $\pm 0,25\%$ a la velocidad de flujo calibrada.

Velocidad de flujo: 23 a 151 LPM

Clasificación de presión: 3,5 bar

Fabricación: Aluminio

Unidades de medida: Onzas, pintas, cuartos de galón, litros, galones, 1 opción de "unidad de medida especial".

Contador: Contador con restablecimiento de 4 dígitos; (unidades de 0,01 a 9999).

Totalizadores: Totalizador "maestro" sin restablecimiento de 7 dígitos, secundario con restablecimiento de 7 dígitos.

Opciones de montaje: Se puede instalar de manera vertical u horizontal girando la pantalla adecuadamente.

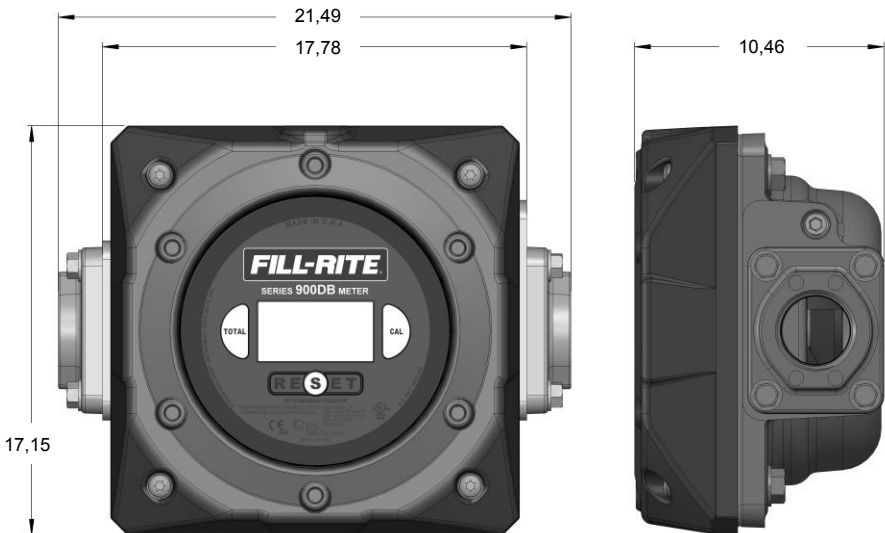
Aprobaciones: Lista UL / cUL / ATEX (consulte la página 8 para ver información sobre certificaciones específicas).

Suministro de energía: 2 pilas* "AA" (alcalinas o un equivalente aprobado; litio opcional para vida útil extendida*); suministro de energía externo opcional en ciertos modelos.

Vida útil esperada de las pilas: 2 a 4 años de uso normal con pilas alcalinas normales.

Rango de temperatura de funcionamiento:

- 900DBB: $-40\text{ }^{\circ}\text{C}$ a $60\text{ }^{\circ}\text{C}$
- 900DBP: $-40\text{ }^{\circ}\text{C}$ a $80\text{ }^{\circ}\text{C}$



NOTAS



FILL-RITE.

Compteur numérique de liquides

Série 900 – Haut débit

Modèles

900DBB, 900DBB1.5, 900DBBBSPT, 900DBB1.5BSPT

Sommaire

Manuel d'installation, d'utilisation et de sécurité	1
Sommaire	2
Merci !	2
À propos de ce manuel.....	2
Informations sur la sécurité.....	3
Installation	3
Procédure de calibrage du compteur	4
Mode d'emploi.....	5
Avertissement de batterie faible.....	6
Stockage	6
Dépannage.....	7
Compatibilité des fluides.....	7
Montage et démontage.....	7
Réparation.....	8
Homologations de tests de sécurité.....	8
Informations sur les pièces de rechange.....	9

Merci !

Merci d'avoir acheté le compteur numérique de la série 900 de Fill-Rite® ! Votre produit Fill-Rite a derrière lui une expérience de plus de 80 ans dans le transfert de fluide et vous apporte la valeur qui découle d'une performance supérieure, d'un modèle convivial, d'une longue durée de vie et d'une construction solide et simple. L'expérience qui vous apporte la tranquillité.

L'excellence au travail. L'excellence dans la vie.

À propos de ce manuel

De la conception et plan initiaux à la production finale, votre compteur Fill-Rite a été fabriqué pour vous apporter des années d'utilisation sans incident. Afin qu'il vous apporte ce service, **il est essentiel que vous lisiez entièrement ce manuel avant d'installer et de faire marcher votre nouveau compteur.** Familiarisez-vous avec les termes et les schémas, et faites attention aux parties en surbrillance avec les étiquettes suivantes :



AVERTISSEMENT ! Signale une partie où le non-respect des instructions peut entraîner de graves blessures, voire la mort. Des dommages mécaniques peuvent aussi se produire.



IMPORTANT ! Ces encadrés contiennent des informations illustrant un point qui peut faire gagner du temps, être la clé d'un fonctionnement correct ou éclaircir une étape.



ATTENTION ! Le non-respect d'une « attention » peut endommager l'équipement.

Chez Fill-Rite, votre satisfaction avec nos produits est primordiale pour nous. Si vous avez des questions ou si vous avez besoin d'aide avec votre produit, contactez-nous au 1-800-634-2695 (du lundi au vendredi, de 8h à 17h, heure de l'Est).

Informations sur la sécurité



AVERTISSEMENT ! Pour un fonctionnement sûr et correct de votre équipement, il est essentiel de lire et de respecter tous les avertissements et précautions de sécurité suivants. Une mauvaise installation ou utilisation de ce produit peut provoquer de graves dommages corporels ou la mort !

- 1) Ne fumez **JAMAIS** près d'un compteur, et n'utilisez pas le compteur près d'une flamme nue lorsque vous mesurez un liquide inflammable. Un incendie pourrait se produire !
- 2) Un filtre « Fill-Rite » doit être utilisé sur la sortie du débitmètre pour qu'aucun matériau étranger ne s'infilte dans le réservoir de carburant.
- 3) Les joints et les raccords filetés des tubes doivent être rendus étanches avec l'agent d'étanchéité ou le ruban d'étanchéité approprié afin de minimiser les risques de fuite.
- 4) Les réservoirs de stockage doivent être bien fixés pour éviter le déplacement ou le basculement lorsqu'ils sont pleins ou vides.
- 5) Afin de minimiser l'électricité statique, utilisez uniquement des tuyaux conducteurs à fil statique pour mesurer des fluides inflammables, et maintenez le pistolet de remplissage en contact avec le récipient pendant le processus de remplissage.
- 6) Ne dépassez **PAS** 3,5 BARS/50 lb/po² de pression de ligne.
- 7) N'installez **PAS** de clapet de pied, ni de clapet de retenue sans une soupape de décharge car le compteur pourrait éclater.



AVERTISSEMENT ! Ce produit ne doit pas être utilisé pour transférer des fluides dans tous les types d'avion.

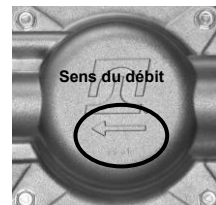


AVERTISSEMENT ! Ce produit ne convient pas aux fluides destinés à la consommation humaine ou animale, ou aux fluides contenant de l'eau. Les compteurs plaqués de nickel sont approuvés pour une utilisation avec l'eau non potable, l'antigel, certains produits chimiques agricoles et d'autres applications spécialisées à l'eau.

Installation

Les compteurs sont fournis pour une tuyauterie horizontale à débit allant de gauche à droite (faisant face à l'avant du compteur). L'affichage peut être tourné dans l'une des quatre positions pour une tuyauterie horizontale ou verticale, et pour tout sens de débit.

1. Déterminez le sens du fluide qui s'écoule.
2. Installez le compteur **en observant la flèche directionnelle coulée à l'arrière du compteur (encerclé). Le liquide DOIT s'écouler dans le sens de la flèche** pour un fonctionnement correct.
3. Lorsque le compteur est raccordé, ôtez les quatre vis (encerclé) aux coins de sa face (un embout Torx T25 est nécessaire).
4. Tournez la face du compteur dans l'orientation désirée.
5. Remettez en place les quatre vis.
6. Achevez l'installation en veillant à ce que les joints soient bien étanches et que le compteur soit positionné pour être facilement vu et utilisé.



ATTENTION ! Les joints et les raccords filetés des tubes doivent être rendus étanches avec l'agent d'étanchéité ou le ruban d'étanchéité approprié afin d'éviter les risques de fuite.



IMPORTANT ! Si vous avez acheté ce compteur dans un « kit », la base de la bride du compteur est percé de quatre trous. Ceci permet de l'utiliser avec les pompes des séries 300 et 700. Alignez le support du compteur pour l'installation et insérez les boulons dans les deux trous alignés avec les orifices correspondants de la sortie de la pompe. Lorsque le support du compteur est bien boulonné, insérez les deux bouchons dans les trous non utilisés pour éviter l'infiltration de l'humidité.



Calibrage du compteur

Le calibrage du compteur est nécessaire après l'installation, un démontage, une usure significative ou avec un fluide d'une viscosité différente. Le calibrage doit être réalisé entre 23 et 151 l/min (6 et 40 gal/min). Le calibrage du compteur peut être facilement modifié en suivant la procédure prévue. Un récipient d'un volume **CONNU** est requis pour la procédure de calibrage. Pour un compteur numérique de la série 900, un récipient de 20 litres ou plus (ou un récipient de cinq gallons ou plus) doit être utilisé.

Procédure de calibrage du compteur

L'unité de mesure et de calibrage est configurée en trois étapes.

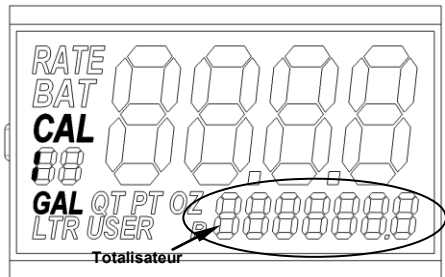
- 1) Choisissez l'unité de mesure désirée.
- 2) Remplissez un récipient de volume connu du fluide désiré.
- 3) Entrez le volume de fluide débité.

Avant le calibrage, l'unité doit être en mode étalonnage. Appuyez simultanément sur les boutons CAL et TOTAL pendant cinq secondes pour passer en mode d'étalonnage.



IMPORTANT ! Pendant le calibrage, les totalisateurs n'augmenteront pas de valeur.

- 1) L'unité sélectionne par défaut la dernière unité de mesure utilisée.
- 2) Appuyez et relâchez le bouton TOTAL pour choisir entre les unités de mesure disponibles.
- 3) Appuyez et maintenez le bouton CAL pendant deux secondes pour passer à l'étape suivante.
- 4) Si le compteur n'est pas touché pendant deux minutes ou si le bouton RESET est appuyé, l'unité sort automatiquement du mode étalonnage et ignore tout changement en volume.



IMPORTANT ! Le déversement dans un récipient de volume connu permet à l'unité de calculer automatiquement la valeur d'extrapolation interne pour compenser les viscosités du fluide et le débit du système.

- 1) CAL 2 est affiché.
- 2) Commencez à déverser le fluide dans le récipient.
- 3) **FILL** commence à clignoter lorsque le débit du fluide est détecté.
- 4) Déversé le volume désiré de fluide ; arrêtez l'écoulement dès que le niveau souhaité est atteint.
- 5) Appuyez et maintenez le bouton CAL pendant deux secondes pour passer à l'étape suivante.

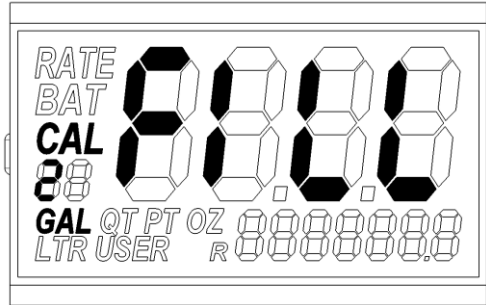


IMPORTANT ! Si le compteur n'est pas touché pendant deux minutes ou si le bouton RESET est appuyé, il sort automatiquement du mode étalonnage et ignore tout fluide déversé.

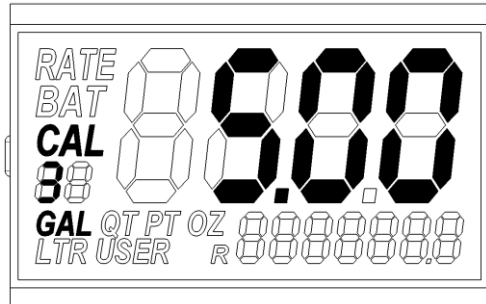
- 1) L'appui et le maintien du bouton CAL pendant deux secondes après avoir déversé dans un récipient fait sauter l'opération de remplissage modifie seulement l'unité de mesure.



IMPORTANT ! Pour un maximum de précision, essayez d'approcher autant que possible du volume déversé **sans changer le débit.**



- 1) Le chiffre le plus à gauche commencera à clignoter.
- 2) Utilisez le bouton TOTAL pour faire défiler de 0 à 9 jusqu'à atteindre le nombre désiré.
- 3) Appuyez et relâchez le bouton CAL pour passer au chiffre suivant.
- 4) Répétez les étapes 2 à 4 jusqu'à ce que le volume de fluide déversé soit saisi.
- 5) Si vous faites une erreur en saisissant un chiffre, appuyez et relâchez à maintes reprises le bouton CAL jusqu'à ce que le chiffre soit à nouveau activé.
- 6) Appuyez et maintenez le bouton CAL pendant deux secondes pour achever le processus de calibrage quel que soit le chiffre actuellement sélectionné.
- 7) Si le bouton CAL est appuyé moins de deux secondes au dernier chiffre, le processus revient au chiffre le plus à gauche en gardant la valeur actuelle. Ceci permet à l'utilisateur d'éditer une valeur inexacte.
- 8) Une vérification d'erreur pour les erreurs de calibrage brut (+/- 15 %) sera exécutée sauf si les unités USER sont sélectionnées. Si une erreur est détectée, le compteur affiche Err0 jusqu'à ce qu'un bouton soit appuyé et que le processus de calibrage soit annulé.
- 9) Si le compteur n'est pas touché pendant deux minutes ou si le bouton RESET est appuyé, l'unité sort automatiquement du mode étalonnage et ignore tout changement.



Mode d'emploi

Pour obtenir une mesure précise et éviter d'endommager le compteur, le distributeur et la tuyauterie doivent toujours être remplis de liquide et sans air. La partie compteur de votre distributeur doit être calibré selon les instructions de ce manuel avant son utilisation.

La face du compteur numérique de la série 900 de Fill-Rite comporte trois boutons qui commandent toutes les fonctions de marche et de calibrage.

Pour allumer l'affichage ou sortir le compteur du mode « veille », appuyez tout simplement sur un bouton de la face. L'affichage s'allume et vous pouvez utiliser la fonction désirée. Le déversement du fluide allume aussi l'affichage du compteur.





IMPORTANT ! Lorsque le compteur est en mode « veille renforcée », le déversement du fluide n'allume **PAS** le compteur. Le compteur n'affiche pas, ni accumule le fluide déversé en mode « veille renforcée ».

- Le dernier compte et le totalisateur sélectionné est retenu et affiché lorsque le compteur est allumé.
- L'appui et la libération du bouton TOTAL font passer entre les totalisateurs pouvant être remis à zéro et ceux sans remise à zéro. (L'icône R est affichée lorsque le total pouvant être remis à zéro est affiché).
- L'appui et le maintien du bouton RESET pendant deux secondes remettent le compteur à zéro.
- L'appui et le maintien des boutons RESET et TOTAL pendant deux secondes remettent le totalisateur à zéro. **Le totalisateur pouvant être remis à zéro doit être actif pour être remis à zéro.**
- L'appui et le maintien des boutons RESET et CAL pendant deux secondes affichent la version du logiciel pendant deux secondes, exécutent une vérification de segment pendant trois secondes et rétablissent ensuite l'affichage.
- L'appui et le maintien du bouton CAL pendant deux secondes mettent le compteur en mode veille renforcée. L'appui deux fois sur un bouton sort le compteur du mode veille renforcée.



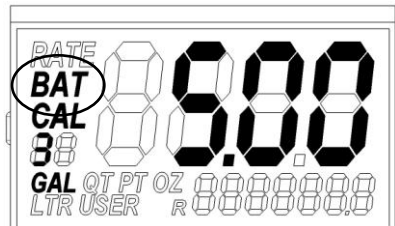
IMPORTANT ! Le mode « veille renforcée » a été conçue pour maintenir un état de préparation opérationnelle tout en économisant la batterie. Le compteur doit être mis dans ce mode lorsque :

- l'unité est rincé afin de ne pas compter le volume déversé ;
- l'unité est transportée sur des surfaces rugueuses (hors route) où le fluide est secoué et vous ne voulez pas compter le volume occasionné par le mouvement ;
- vous voulez étendre la durée de vie de la batterie ; le fait de mettre en mode veille renforcée à maintes reprises n'est pas pénalisé.

- Après 30 secondes d'inactivité, l'affichage devient blanc pour conserver la batterie.
- Si le compteur est relié à une source d'alimentation externe, l'affichage ne devient pas blanc sauf s'il est forcé de se mettre en mode veille renforcée.
- Si l'alimentation externe, le compteur revient aux caractéristiques de fonctionnement sur batterie et vice versa.
- Le compteur et le totalisateur 2 peuvent être remis à zéro même si un écoulement de fluide est détecté. Le compteur continue à compter pendant les deux secondes d'appui sur le bouton RESET, se remet ensuite à zéro, et reprend la mesure.

Avertissement de batterie faible

L'affichage numérique comporte un indicateur de « batterie faible ». Lorsque la batterie atteint un niveau suffisamment faible pour nécessiter un remplacement, « BAT » s'affiche pour rappeler de changer la batterie. Remplacez les piles selon la procédure de la page 7 le cas échéant.



Stockage

Si votre compteur est rangé pendant un certain temps, nettoyez-le soigneusement. Ceci contribue à le protéger des éventuels dommages.

Dépannage

Le guide de dépannage suivant a été conçu pour vous aider à établir les diagnostics et réparations numériques de base en cas de fonctionnement anormal de votre compteur de la série 900. Nous recommandons l'usage des pièces d'origine Fill-Rite uniquement. Ces pièces, ainsi que des informations supplémentaires, sont disponibles auprès de votre distributeur agréé Fill-Rite.

D'autres informations de dépannage figurent dans votre manuel de pompe. Si vous avez besoin d'une assistance supplémentaire, contactez-nous au 1-800-634-2695 (du lundi au vendredi, de 8h à 17h, heure de l'Est).

Souci	Cause probable	Réparation conseillée
Compteur inexact.	Compteur mal calibré.	Vérifiez le calibrage et calibrez à nouveau le cas échéant (les instructions se trouvent à la page 4).
	Il y a de l'air dans les conduites ou dans la chambre de mesure.	Vérifiez les fuites des joints d'étanchéité et des joints de la conduite ; rendez-les étanches de façon appropriée.
	Le disque de mesure est grippé.	Nettoyez ou remplacez les composants internes le cas échéant.
Faible pouvoir d'écoulement.	La chambre du compteur est bouchée.	Nettoyez la chambre du compteur, nettoyez ou remplacez les tamis et les filtres de la tuyauterie.
Le corps du compteur se fêle.	Pression de ligne excessive.	Installez une soupape de décharge pour que la haute pression soit purgée vers le réservoir. Remplacez le compteur.
Disque oscillant cassé.	Une haute pression soudaine a touché le disque.	Évitez les écoulements en surpression en installant une vanne d'isolement à la sortie du compteur ; installez le compteur aussi près que possible de la pompe, gardez la tuyauterie pleine de liquide. Remplacez l'ensemble de la chambre du compteur.

Compatibilité des fluides

Le compteur de la série 900DBB EST compatible avec les fluides suivants :

gasoil / biodiesel (jusqu'à B20) / essence minérale / heptane / hexane / essence, E15.

Le compteur de la série 900DBB N'EST PAS compatible avec les fluides suivants :

eau de javel / acide chlorhydrique / encre / acide sulfurique / eau salée.



ATTENTION ! En cas de doute sur la compatibilité d'un fluide spécifique, contactez son fournisseur pour vérifier toute réaction aux matériaux mouillés suivants :

Aluminium / acier inoxydable / fluorocarbone / Buna N / polyester / nickel / acétal.

Montage et démontage

Le compteur numérique de la série 900 comporte un boîtier de chambre, une chambre de mesure, un arbre d'entraînement, un ensemble de compteur numérique et un couvercle. La conception du compteur autorise son démontage complet sans déranger toute la tuyauterie (reportez-vous au schéma de la page 9 pour les numéros des pièces).

Accès à la batterie

Pour accéder aux piles (deux piles AA) (Figure 1) :

- 1) Ôtez les quatre vis en haut et en bas de la collerette avant (Torx T25).
- 2) Enlevez la collerette. Les piles sont situées à l'arrière de l'affichage ; utilisez un tournevis à pointe cruciforme pour ôter les vis du couvercle et accéder aux piles.
- 3) Remontez en inversant cette procédure.

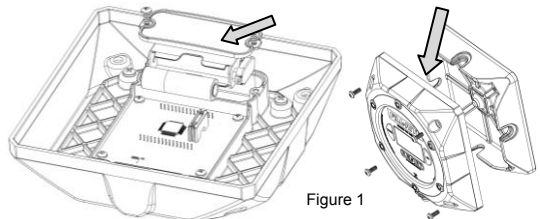


Figure 1



AVERTISSEMENT ! Pour réduire le risque d'explosion, ne mélangez **PAS** les piles neuves aux vieilles ou celles de différents fabricants.



AVERTISSEMENT ! Pour réduire le risque d'ignition d'une atmosphère explosive et inflammable, les piles **DOIVENT** être changées dans un emplacement reconnu comme étant non dangereux **SEULEMENT**.



AVERTISSEMENT ! Les piles peuvent être remplacées par les suivantes **SEULEMENT** :

- Duracell MN1500
- Duracell MX1500
- Energizer E91

Ensemble de la chambre du compteur

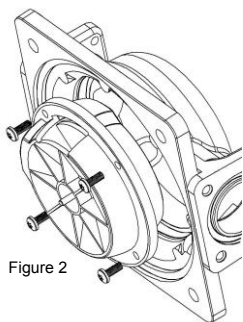


Figure 2

La chambre du compteur comporte des chambres supérieures et inférieures, un disque oscillant et quatre vis (Figure 2).

- 1) Pour exposer l'ensemble de la chambre du compteur et le joint, ôtez les quatre vis.
- 2) La chambre du compteur peut être dégagée en enlevant les quatre vis (voir Figure 2).

Remontez en inversant cette procédure.



IMPORTANT ! Si vous devez remplacer un composant de la chambre du compteur, **tout l'ensemble doit être remplacé à cause de la méthode de construction précise.** Ainsi, la chambre s'adaptera parfaitement et fonctionnera bien.

Réparation

Les compteurs devant être réparés doivent être amenés à une installation de réparation agréée. Les compteurs **DOIVENT** être rincés trois fois avant de partir en réparation.



IMPORTANT ! Lorsqu'un compteur est envoyé pour réparation, il doit être rincé trois fois et accompagné d'une note mentionnant les produits chimiques pompés. Les compteurs ne respectant pas ces instructions pourront être refusés.

Homologations de tests de sécurité

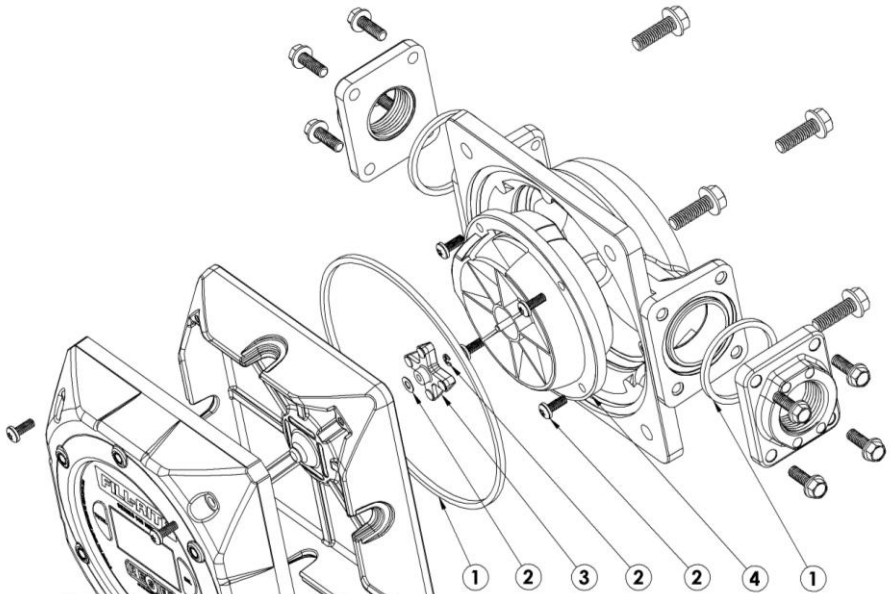
Les compteurs de la série 900DB de **Fill-Rite** ont été testés pour leur conformité aux normes établies par les Underwriters Laboratories (UL), UL Canada, ATEX et les autres organisations de test. **Afin de déterminer les conformités spécifiques de votre compteur en particulier, reportez-vous à la plaque pour obtenir les informations et les logos de conformité.**



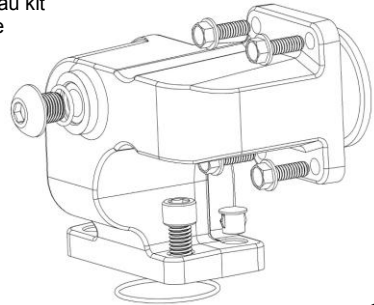
Informations sur les pièces de rechange

Les pièces de rechange peuvent être obtenues auprès d'un distributeur agréé Fill-Rite. Assurez-vous de n'utiliser que des pièces de rechange originales de Fill-Rite pour votre entretien et vos réparations.

Modèles 900DB, 900DB1.5, 900DBBSPT, 900DB1.5BSPT



KIT900PF
Compteur au kit
de bride de
pompe



Kit de pièces de rechange du compteur numérique de la série 900

Numéro du kit	n°	Description	Qté
900DBKT	1	Joint requis	3
	2	Attaches requises	6
	3	Entraîneur magnétique	1
	4	Ensemble de la chambre	1

Informations sur l'installation électrique

Alimentation interne (alimentation par batterie)

Tous les compteurs numériques de la série 900DB fonctionnent sur batterie. Le compteur est équipé d'un support de batterie à l'arrière de la plaque, sur la carte de circuit imprimé même. Ces unités sont alimentées par deux piles alcalines « AA ». En usage normal, ces piles peuvent durer deux à quatre ans. L'affichage numérique comporte un avertissement intégré de batterie faible (voir les détails à la page 6). Si vous avez de questions quant au remplacement des piles de votre compteur, contactez votre représentant de l'assistance technique Fill-Rite au 1-800-634-2695 (du lundi au vendredi, de 8h à 17h, heure de l'Est). Un mauvais choix de batterie peut annuler la certification UL.



AVERTISSEMENT ! Pour réduire le risque d'explosion, ne mélangez **PAS** les piles neuves aux vieilles ou celles de différents fabricants.



AVERTISSEMENT ! Les piles peuvent être remplacées par les suivantes **SEULEMENT** :

- Duracell MN1500
- Duracell MX1500
- Energizer E91

Garantie sur le produit Tuthill

Tuthill Transfer Systems (Le « Fabricant ») garantit à chaque acheteur-consommateur de ses produits Fill-Rite (« l'Acheteur ») à compter de la date de la facture ou du ticket de caisse, que les marchandises de sa fabrication (« Marchandises ») sont exemptes de tout vice de matériau et de fabrication. La garantie dure comme suit :

- Produits à usage industriel – deux ans

La seule obligation du Fabricant au titre des garanties énoncées précédemment sera limitée – à la discrétion du Fabricant – au remplacement ou à la réparation des marchandises défectueuses (sous réserve des restrictions énoncées ci-après), ou bien au remboursement du prix d'achat pour lesdites Marchandises pour autant qu'elles soient payées par l'acheteur, et le recours exclusif de l'acheteur pour rupture desdites garanties sera la mise en application desdites obligations du Fabricant. Si le Fabricant demande donc le retour des Marchandises, celles-ci seront relivrées FOB usine au Fabricant conformément aux instructions du Fabricant. Les recours contenus dans la présente devront constituer le seul et unique recours de l'Acheteur contre le Fabricant pour violation de garantie. **LE FABRICANT NE DEVRA EN AUCUN CAS ÊTRE TENU RESPONSABLE DE TOUTE RÉCLAMATION POUR DES DOMMAGES RÉSULTANT DE LA FABRICATION, DE LA VENTE, DE LA LIVRAISON OU DE L'UTILISATION DES MARCHANDISES ET SUPÉRIEURS AU PRIX D'ACHAT.** Les garanties énoncées précédemment ne s'étendront pas aux marchandises soumises à une mauvaise utilisation, une négligence, un accident, une pose ou une maintenance inappropriée, ou qui ont été réparées ou modifiées par quiconque autre que le Fabricant ou son représentant agréé. **LES GARANTIES ÉNONCÉES PRÉCÉDEMMENT SONT EXCLUSIVES ET TIENNENT LIEU ET PLACE DE TOUTES LES AUTRES GARANTIES DE QUALITÉ MARCHANDE OU LOYALE DE TOUT AUTRE TYPE, QU'ELLES SOIENT EXPRESSES OU TACITES.** Personne ne peut modifier les garanties ou recours précédemment énoncés sauf par écrit et avec la signature d'un membre de la direction du Fabricant dûment autorisé. L'acceptation par l'Acheteur de la livraison des Marchandises constitue l'acceptation des garanties et recours précédemment énoncés ainsi que de toutes les conditions et restrictions correspondantes.

Tuthill Corporation vous recommande de conserver votre ticket de caisse en tant que reçu.

Caractéristiques techniques et informations

Dimensions : 171 mm (hauteur) x 215 mm (largeur) x 105 mm (profondeur)
(6,75 po x 8,46 po x 4,12 po)

Précision : $\pm 1,25$ %

Répétabilité : $\pm 0,25$ % au débit calibré.

Débit : 23 à 151 l/min (6 à 40 gal/min)

Capacité de pression : 3,5 BARS (50 lb/po²)

Construction : Aluminium

Unités de mesure : onces, pintes, quarts, litres, gallons, 1 option « d'unité de mesure spéciale ».

Compteur : compteur à quatre chiffres pouvant être remis à zéro (0,01 à 9999 unités).

Totalisateurs : Totalisateur « principal » à sept chiffres sans remise à zéro, secondaire à sept chiffres avec remise à zéro.

Options de montage : peut être installé verticalement ou horizontalement en tournant l'affichage en conséquence.

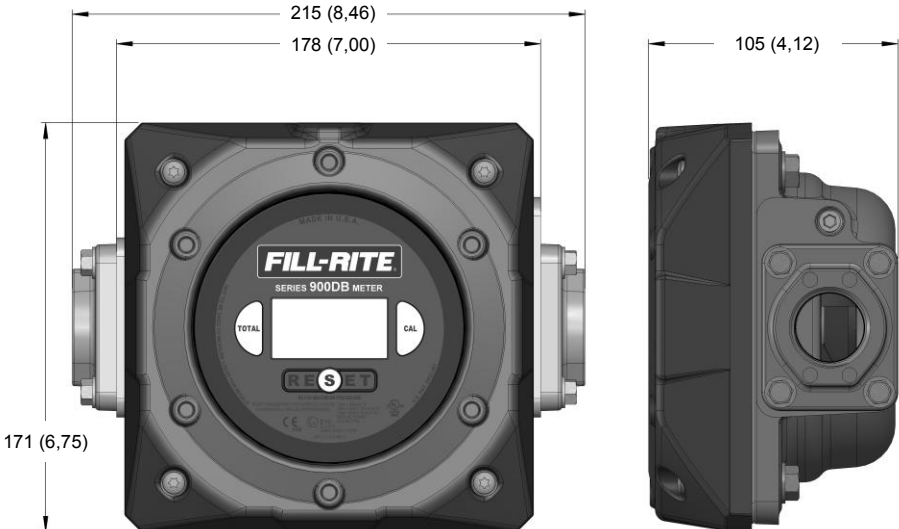
Homologations : listes de l'UL / cUL / ATEX (voir les informations sur les certifications spécifiques à la page 8).

Alimentation : deux piles « AA »* (alcalines ou équivalents approuvés ; lithium en option pour une durée étendue de la batterie*), alimentation externe en option sur certains modèles.

Durée de vie attendue de la batterie : deux à quatre ans pour un usage normal avec des piles alcalines standards.

Plage de température de fonctionnement :

- 900DBB : -40° à 60° C (-40° à 140° F)
- 900DBP : -40° à 80° C (-40° à 180° F)



REMARQUES

Eigentümer-, Einbau-, Betriebs- und Sicherheitsanleitung



FILL-RITE.

Digitaler Flüssigkeitszähler

Series 900 – Hoher Durchfluss

Modelle

900DBB, 900DBB1.5, 900DBBBSPT, 900DBB1.5BSPT

Inhalt

Eigentümer-, Einbau-, Betriebs- und Sicherheitsanleitung	1
Inhalt	2
Vielen Dank!	2
Zu diesem Handbuch	2
Sicherheitsinformationen	3
Einbau	3
Verfahren für Kalibrierung des Zählers	4
Betriebsanweisungen	5
Warnung „Batterie schwach“	6
Lagerung	6
Störungsbeseitigung	6
Flüssigkeitsverträglichkeit	7
Montage und Demontage	7
Reparatur	8
Sicherheitsprüfungszulassungen	8
Ersatzteil-Informationen	9

Vielen Dank!

Vielen Dank für den Kauf des Fill-Rite® Digitalzählers der 900 Serie! Das Fill-Rite Produkt wird durch mehr als 80 Jahre Erfahrung im Flüssigkeitstransfer gestützt und bietet Ihnen den besten Wert, überlegene Leistung, ein benutzerfreundliches Design, lange Lebensdauer und solide, einfache Technik. Erfahrung, die Ihnen Sorgenfreiheit bietet.

Ausgezeichnet im Einsatz. Ausgezeichnet im Leben.

Zu diesem Handbuch

Vom anfänglichen Konzept bis zur endgültigen Produktion ist der Fill-Rite Zähler für problemlosen Betrieb auf Jahre hinaus ausgelegt. Um diese Funktionsweise zu gewährleisten, **müssen Sie dieses gesamte Handbuch durchlesen, bevor der Einbau oder Betrieb des neuen Zählers versucht wird.** Machen Sie sich mit den Begriffen und Diagrammen vertraut und achten Sie genau auf die hervorgehobenen Bereiche mit den folgenden Bezeichnungen:



WARNUNG! Hebt einen Bereich hervor, in dem bei Nichtbefolgung der Anweisungen schwere oder tödliche Verletzungen auftreten können. Es können auch mechanische Schäden entstehen.



WICHTIG! Diese Textfelder enthalten Informationen, die auf Zeitersparnisse hinweisen, für den korrekten Betrieb wichtig sind oder einen Arbeitsschritt weiter erläutern.



ACHTUNG! Bei Nichtbeachtung eines „Achtungshinweises“ besteht die Gefahr von Maschinenschäden.

Bei Fill-Rite ist Ihre Zufriedenheit mit unseren Produkten von höchster Bedeutung. Bei Fragen oder wenn Sie Hilfe mit dem Produkt benötigen, kontaktieren Sie uns bitte unter der Rufnummer 1-800-634-2695 (Mo-Fr 8.00-17.00 Uhr EST).

Sicherheitsinformationen



WARNUNG! Zur Gewährleistung der sicheren und korrekten Funktionsweise des Geräts müssen alle Sicherheitswarnungen und Vorsichtsmaßnahmen gelesen und befolgt werden. Unsachgemäßer Einbau oder Einsatz dieses Produktes kann zu schweren oder tödlichen Verletzungen führen!

- 1) **NIEMALS** in der Nähe des Zählers rauchen und den Zähler beim Messen entzündlicher Flüssigkeiten nicht in der Nähe von offenen Flammen verwenden! Es besteht Brandgefahr!
- 2) Ein „Fill-Rite“-Filter muss am Auslass des Zählers vorgesehen werden, damit keine Fremdstoffe in den Kraftstofftank eingetragen werden.
- 3) Rohrgewindeverbindungen und Anschlüsse müssen mit geeignetem Dichtmittel oder Dichtband abgedichtet werden, um die Wahrscheinlichkeit von Leckage zu minimieren.
- 4) Lagertanks müssen sicher verankert sein, damit diese beim Füllen oder Entleeren nicht kippen oder sich absetzen.
- 5) Zur Minimierung des Aufbaus statischer Elektrizität darf beim Messen entzündlicher Flüssigkeiten nur ein Schlauch mit einem Statikableitungsdraht verwendet werden; das Zapfventil muss während des Füllens durchgehend Kontakt mit dem Behälter haben, in den abgefüllt wird.
- 6) **KEINESFALLS** 3,5 bar/50 psi Leitungsdruck überschreiten.
- 7) **KEINESFALLS** ein zusätzliches Fußventil oder Rückschlagventil ohne ein Druckentlastungsventil einbauen, da der Zähler dadurch bersten könnte.



WARNUNG! Dieses Produkt darf nicht zum Transfer von Flüssigkeiten in beliebige Arten von Flugzeugen verwendet werden.

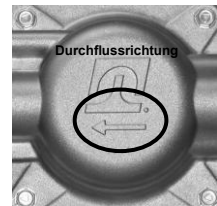


WARNUNG! Dieses Produkt ist nicht für Flüssigkeiten geeignet, die für menschlichen oder tierischen Verzehr geeignet sind bzw. Flüssigkeiten, die Wasser enthalten. Vernickelte Zähler sind zum Einsatz mit Wasser ohne Trinkwassereigenschaften, Frostschutzmittel, bestimmte landwirtschaftliche Chemikalien und andere spezialisierte Wasseranwendungen geeignet.

Einbau

Zähler werden für horizontale Rohrleitungen mit Durchflussrichtung von links nach rechts (in Blickrichtung Zählervorderseite) geliefert. Das Display kann in eine von vier Positionen für horizontale oder vertikale Rohrleitungen und beide Durchflussrichtungen gedreht werden.

- 1) Die Durchflussrichtung der Flüssigkeit ermitteln.
- 2) Den Zähler **unter Beachtung des Richtungspfeils auf der Rückseite des Zählergehäuses (eingekreist)** einbauen. Die Flüssigkeit **MUSS** in Pfeilrichtung fließen, um korrekte Funktionsweise zu erhalten.
- 3) Nachdem der Zähler verrohrt wurde, die vier Schrauben (eingekreist) an den Ecken der Zählerstirnseite entfernen (Torx T25-Treiber erforderlich).
- 4) Die Zählerstirnseiten-Baugruppe in die gewünschte Position drehen.
- 5) Die vier Schrauben wieder anbringen.
- 6) Zum Abschluss des Einbaus sicherstellen, dass die Verbindungen vorschriftsmäßig abgedichtet sind und dass der Zähler einfach abzulesen und zu verwenden ist.



ACHTUNG! Rohrgewindeverbindungen und Anschlüsse müssen mit geeignetem Dichtmittel oder Dichtband abgedichtet werden, um die Wahrscheinlichkeit von Leckage zu eliminieren.



WICHTIG! Wenn dieser Zähler als Bestandteil eines „Satzes“ erworben wurde, ist der Zähler-Flanschsockel mit 4 Löchern vorgebohrt. Dadurch kann der Zähler mit Pumpen der 300 und 700 Serie verwendet werden. Die Zählerhalterung für den Einbau ausrichten und die Schrauben in die zwei Löcher einsetzen, die auf die zugehörigen Löcher im Pumpenauslass ausgerichtet sind. Nachdem die Zählerhalterung sicher verschraubt ist, die zwei Stopfen in den nicht verwendeten Löchern anbringen, damit keine Feuchtigkeit eindringen kann.



Kalibrierung des Zählers

Die Zählerkalibrierung ist nach dem Einbau, nach dem Zerlegen, nach beachtlichem Verschleiß oder zum Transfer einer Flüssigkeit mit anderer Viskosität erforderlich. Die Kalibrierung muss zwischen 23 und 151 l/min durchgeführt werden. Die Kalibrierung des Zählers kann einfach geändert werden, indem das Kalibrierungsverfahren befolgt wird. Für das Kalibrierungsverfahren wird ein Behälter mit **BEKANNTEM** Volumen benötigt. Für Digitalzähler der 900 Serie ist ein Behälter mit mindestens 20 l Fassungsvermögen erforderlich.

Verfahren für Kalibrierung des Zählers

Die Maßeinheit und Kalibrierung wird anhand eines Verfahrens mit 3 Arbeitsschritten konfiguriert.

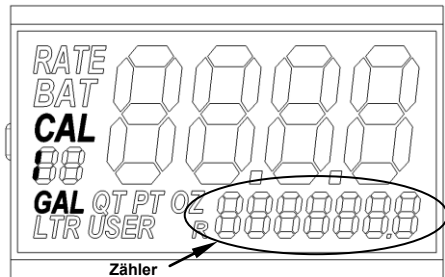
- 1) Die gewünschte Maßeinheit auswählen.
- 2) Einen Behälter mit bekanntem Volumen mit der gewünschten Flüssigkeit füllen.
- 3) Die Menge der abgegebenen Flüssigkeit eingeben.

Vor der Kalibrierung muss das Gerät in den Kalibrierungsmodus geschaltet werden. Gleichzeitig die Tasten CAL und TOTAL 5 Sekunden lang gedrückt halten, um den Kalibrierungsmodus aufzurufen.



WICHTIG! Beim Kalibrieren erhöhen sich die Zählerwerte nicht.

- 1) Das Gerät stellt als Vorgabe die zuletzt verwendete Maßeinheit ein.
- 2) Die Taste TOTAL wiederholt kurz drücken, um durch die verfügbaren Maßeinheiten zu blättern.
- 3) Die Taste CAL 2 Sekunden lang gedrückt halten, um den nächsten Schritt aufzurufen.
- 4) Falls am Zähler 2 Minuten lang keine Taste gedrückt wird oder die Taste RESET gedrückt wird, beendet das Gerät automatisch den Kalibrierungsmodus und ignoriert etwaige Volumensänderungen.



WICHTIG! Bei der Abgabe in einen Behälter mit bekanntem Volumen kann das Gerät automatisch den internen Skalierungswert zum Ausgleich von Flüssigkeitsviskositäten und Systemdurchflussrate berechnen.

- 1) CAL 2 wird angezeigt.
- 2) Mit der Flüssigkeitsabgabe in den Behälter beginnen.
- 3) **FILL** beginnt zu blinken, nachdem Flüssigkeitsströmung erkannt wird.
- 4) Die gewünschte Flüssigkeitsmenge abgeben; den Durchfluss unverzüglich stoppen, wenn die gewünschte Menge erreicht wurde.
- 5) Die Taste CAL 2 Sekunden lang gedrückt halten, um den nächsten Schritt aufzurufen.

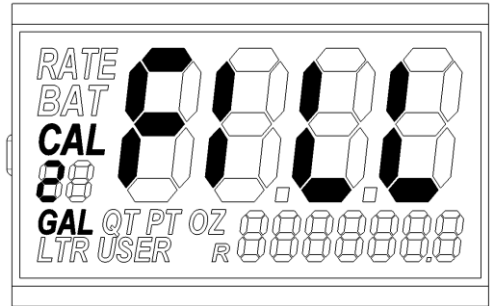


WICHTIG! Falls am Zähler 2 Minuten lang keine Taste gedrückt wird oder die Taste RESET gedrückt wird, beendet der Zähler den Kalibrierungsmodus und ignoriert die abgegebene Flüssigkeitsmenge.

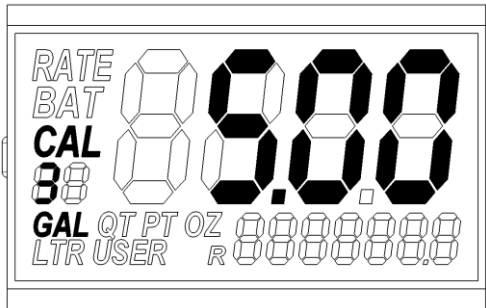
- 1) Wenn die Taste CAL vor der Flüssigkeitsabgabe in einen Behälter 2 Sekunden lang gedrückt gehalten wird, überspringt der Zähler einen Füllvorgang und ändert nur die Maßeinheit.



WICHTIG! Für maximale Genauigkeit sollte das abgegebene Volumen so genau wie möglich erhalten werden **ohne die Durchflussrate zu ändern.**



- 1) Die Stelle links außen beginnt zu blinken.
- 2) Mit der Taste TOTAL von 0 bis 9 blättern, bis die gewünschte Ziffer ausgewählt wurde.
- 3) Die Taste CAL kurz drücken, um zur nächsten Stelle zu gelangen.
- 4) Schritte 2 bis 4 solange wiederholen, bis die Menge der abgegebenen Flüssigkeit eingegeben wurde.
- 5) Falls beim Eingeben einer Ziffer ein Fehler gemacht wurde, die Taste CAL solange wiederholt drücken, bis die Stelle wieder aktiv ist.
- 6) Die Taste CAL 2 Sekunden lang gedrückt halten, um den Kalibrierungsvorgang abzuschließen (unabhängig von der derzeit ausgewählten Stelle).
- 7) Wenn die Taste CAL an der letzten Stelle kürzer als 2 Sekunden lang gedrückt gehalten wird, springt der Vorgang zurück zur Stelle links außen, aber der derzeitige Wert wird beibehalten. Das ermöglicht das Bearbeiten eines falschen Wertes.
- 8) Eine Fehlerprüfung für gröbere Kalibrierungsfehler (+/- 15 %) wird durchgeführt, es sei denn die Maßeinheit USER ist ausgewählt. Falls ein Fehler erkannt wird, zeigt der Zähler „Err0“ an, bis eine Taste gedrückt und der Kalibrierungsvorgang abgebrochen wird.
- 9) Falls am Zähler 2 Minuten lang keine Taste gedrückt wird oder die Taste RESET gedrückt wird, beendet das Gerät automatisch den Kalibrierungsmodus und ignoriert etwaige Änderungen.



Betriebsanweisungen

Zur genauen Messung und Vermeidung von Zähler Schäden müssen Dispenser und Rohrleitungen immer mit Flüssigkeit gefüllt und frei von Luft sein. Der Zählerabschnitt des Dispensers muss vor dem Gebrauch gemäß den Anweisungen in diesem Handbuch kalibriert werden.

Die Stirnfläche des Digitalzählers Fill-Rite 900 Serie hat drei Tasten, mit denen alle Betriebs- und Kalibrierungsfunktionen gesteuert werden.

Zum Einschalten des Displays oder wecken des Zählers aus dem Ruhemodus, wird einfach eine beliebige Taste auf der Stirnseite gedrückt. Das Display schaltet sich ein und es kann die gewünschte Funktion ausgewählt werden. Die Abgabe von Flüssigkeit schaltet das Zähler-Display auch ein.





WICHTIG! Wenn der Zähler im „Tiefschlaf“-Modus ist, schaltet er sich bei Abgabe von Flüssigkeit **NICHT** ein. Der Zähler zeigt und misst keine Flüssigkeit, die im „Tiefschlaf“-Modus abgegeben wird.

- Beim Einschalten des Zählers wird der letzte Zählwert und ausgewählte Summierer angezeigt und beibehalten.
- Durch kurzes Drücken der Taste TOTAL kann zwischen rücksetzbaren und nicht rücksetzbaren Summierern umgeschaltet werden. (Das Symbol R ist eingblendet, wenn ein rücksetzbarer Summenwert angezeigt ist).
- Wenn die Taste RESET 2 Sekunden lang gedrückt gehalten wird, wird der Zähler zurückgesetzt.
- Wenn die Tasten RESET und TOTAL 2 Sekunden lang gedrückt gehalten werden, wird der Summierer zurückgesetzt. **Der rücksetzbare Summierer muss aktiv sein, damit er rückgesetzt wird.**
- Wenn die Tasten RESET und CAL 2 Sekunden lang gedrückt gehalten werden, wird die Softwareversion 2 Sekunden lang angezeigt, anschließend wird 3 Sekunden lang eine Segmentprüfung durchgeführt und danach wird wieder die ursprüngliche Anzeige eingblendet.
- Wenn die Taste CAL 5 Sekunden lang gedrückt gehalten wird, wird der Zähler in einen „Tiefschlaf“-Modus geschaltet. Durch zweimaliges Drücken einer beliebigen Taste kann der Zähler wieder geweckt werden.



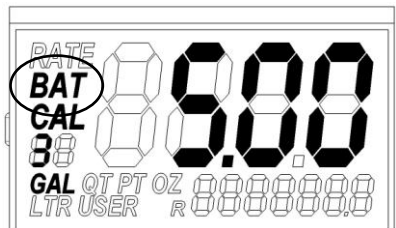
WICHTIG! Der „Tiefschlaf“-Modus dient dazu, die Betriebsbereitschaft aufrecht zu erhalten und gleichzeitig Batteriestrom zu sparen. Der Zähler muss unter folgenden Umständen in diesen Modus geschaltet werden:

- Beim Spülen des Geräts, damit das abgegebene Volumen nicht gezählt wird.
- Beim Fahren auf unebenen Flächen (im Gelände), bei der Flüssigkeit schwappt und das Volumen aufgrund dieser Bewegung nicht gezählt werden soll.
- Zur Verlängerung der Batterielebensdauer; es gibt keine Nachteile, wenn das Gerät wiederholt in den „Tiefschlaf“-Modus geschaltet wird.

- Nach 30 Sekunden Inaktivität verdunkelt sich das Display, um Batteriestrom zu sparen.
- Falls der Zähler an eine externe Stromversorgung angeschlossen ist, verdunkelt sich das Display nicht, außer es wird in den „Tiefschlaf“-Modus geschaltet.
- Falls die externe Stromversorgung abgetrennt wird, kehrt der Zähler zum Batteriebetrieb und den damit verbundenen Funktionseigenschaften zurück (und umgekehrt).
- Der Zähler und Summierer 2 können auch rückgesetzt werden, wenn Flüssigkeitsströmung erkannt wird. Der Zähler misst weiter, während die Taste RESET 2 Sekunden lang gedrückt gehalten wird, setzt sich dann auf 0 zurück und nimmt anschließend den Zählvorgang wieder auf.

Warnung „Batterie schwach“

Das Digital-Display verfügt über eine Warnleuchte „Batterie schwach“. Wenn die Batterie so schwach geworden ist, dass sie ausgetauscht werden muss, zeigt das Display „BAT“ an, um auf den erforderlichen Batteriewechsel hinzuweisen. Nach Bedarf die Batterien gemäß Verfahren auf Seite 7 wechseln.



Lagerung

Falls der Zähler länger gelagert werden soll, muss er gründlich gereinigt werden. Das schützt den Zähler vor möglichen Schäden.

Störungsbeseitigung

Die folgende Anleitung zur Störungsbeseitigung beschreibt die grundlegende Diagnose und Reparatur des Digitalzählers, falls der Zähler der 900 Serie ungewöhnliche Funktionseigenschaften aufweist. Wir empfehlen, nur Original-Fill-Rite-Ersatzteile zu verwenden. Diese Teile und zusätzliche Wartungsinformationen sind bei Ihrem Fill-Rite-Vertragshändler erhältlich.

Weitere Informationen zur Störungsbeseitigung sind im Pumpenhandbuch zu finden. Wenn Sie zusätzliche Hilfe benötigen, kontaktieren Sie uns bitte unter der Rufnummer 1-800-634-2695 (Mo-Fr 8.00-17.00 Uhr EST).

Problem	Mögliche Ursache	Empfohlene Reparatur
Zähler ist ungenau.	Zähler ist falsch kalibriert.	Die Kalibrierung prüfen und nach Bedarf neu kalibrieren (Anleitung auf Seite 4).
	Luft in den Leitungen oder der Messkammer.	Die Leitungsdichtungen und Verbindungen auf Leckage prüfen; Undichtheiten ordnungsgemäß beheben.
	Messscheibe klemmt.	Die internen Messkomponenten nach Bedarf reinigen oder austauschen.
Mangelhafte Durchflusskapazität.	Verstopfte Messkammer.	Messkammer reinigen; Siebe und Filter in Rohrleitungen reinigen oder austauschen.
Messgehäuse hat Risse.	Zu hoher Leitungsdruck.	Entlastungsventil einbauen, damit zu hoher Druck zurück in den Tank abgebaut werden kann. Zähler austauschen.
Taumelscheibe ist defekt.	Flüssigkeit trifft mit hohem Druck plötzlich auf Scheibe auf.	Strömungsschwälle vermeiden, indem ein Absperrhahn an der Auslassseite des Zählers eingebaut wird; den Zähler so nahe wie möglich an der Pumpe installieren, damit die Rohrleitung mit Flüssigkeit gefüllt bleibt. Die Messkammer-Baugruppe austauschen.

Flüssigkeitsverträglichkeit

Der Zähler der 900DBB Serie **IST** mit folgenden Flüssigkeiten verträglich:

Dieseldieselkraftstoff / Bio-Diesel (bis zu B20) / Mineralöle / Heptan / Hexan / Benzin, E15

Der Zähler der 900DBB Serie **IST NICHT** mit folgenden Flüssigkeiten verträglich:

Bleiche / Salzsäure / Tinte / Schwefelsäure / Salzwasser



ACHTUNG! Wenn die Verträglichkeit einer bestimmten Flüssigkeit nicht gesichert ist, den Flüssigkeitslieferanten kontaktieren und nach nachteiligen Reaktionen mit folgenden benetzten Werkstoffen fragen:

Aluminium / Edelstahl / Fluorkohlenstoff / Buna N / Polyester / Nickel / Acetal

Montage und Demontage

Der Digitalzähler der 900 Serie besteht aus einem Kammergehäuse, einer Messkammer, Antriebswelle, Digitalzähler-Baugruppe und einem Deckel. Das Design des Zählers ist so ausgeführt, dass er komplett zerlegt werden kann ohne dass die Rohrleitungen gestört werden (Teilnummern sind im Diagramm auf Seite 9 zu finden).

Zugriff auf die Batterie

Zugriff auf die Batterien (2 Stück Größe AA) (Abbildung 1):

- 1) Die vier Schrauben oben und unten auf der vorderen Einfassung entfernen (Torx #T25).
- 2) Die Einfassung abheben. Die Batterien befinden sich an der Display-Rückseite; die Deckelschrauben mit einem Kreuzschlitzschraubendreher entfernen, damit die Batterien zugänglich werden.
- 3) In verkehrter Reihenfolge wieder zusammenbauen.

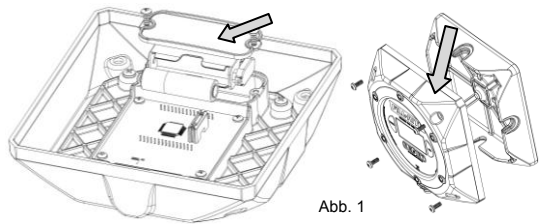


Abb. 1



WARNUNG! Um das Risiko der Entzündung einer brennbaren explosiven Atmosphäre zu verringern, **DÜRFEN** die Batterien **NUR** an einem erwiesenermaßen ungefährlichen Ort gewechselt werden.



WARNUNG! Zur Verringerung des Explosionsrisikos **KEINE** alten Batterien mit neuen Batterien oder Batterien verschiedener Hersteller mischen.



WARNUNG! Batterien dürfen **NUR** durch folgende ersetzt werden:

- Duracell MN1500
- Duracell MX1500
- Energizer E91

Messkammer-Baugruppe

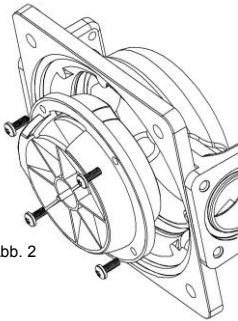


Abb. 2

Die Messkammer besteht aus der oberen und unteren Kammer, einer Taumelscheibe und vier Schrauben (Abbildung 2).

- 1) Zum Freilegen der Messkammer-Baugruppe und Dichtung die 4 Schrauben entfernen.
- 2) Die Messkammer kann herausgenommen werden, indem die 4 Schrauben entfernt werden (siehe Abbildung 2).

In verkehrter Reihenfolge wieder zusammenbauen.



WICHTIG! Falls Komponenten der Messkammer ausgetauscht werden, **muss die gesamte Baugruppe ersetzt werden, da sie eine Präzisionsbaugruppe ist.** Das gewährleistet die entsprechende Passung und die korrekte Funktionsweise der Kammer.

Reparatur

Falls Zähler repariert werden müssen, sind sie zu einer Vertragswerkstatt zu bringen. Zähler **MÜSSEN** drei Mal gespült werden, bevor sie zur Reparatur gebracht werden.



WICHTIG! Bei der Rückgabe eines Zählers zur Wartung muss dieser drei Mal gespült worden sein; außerdem muss eine Notiz beigefügt werden, die angibt, welche Chemikalien durch diesen Zähler gepumpt wurden. Die Annahme von Zählern, die diesen Anforderungen nicht entsprechen, kann abgelehnt werden.

Sicherheitsprüfungs Zulassungen

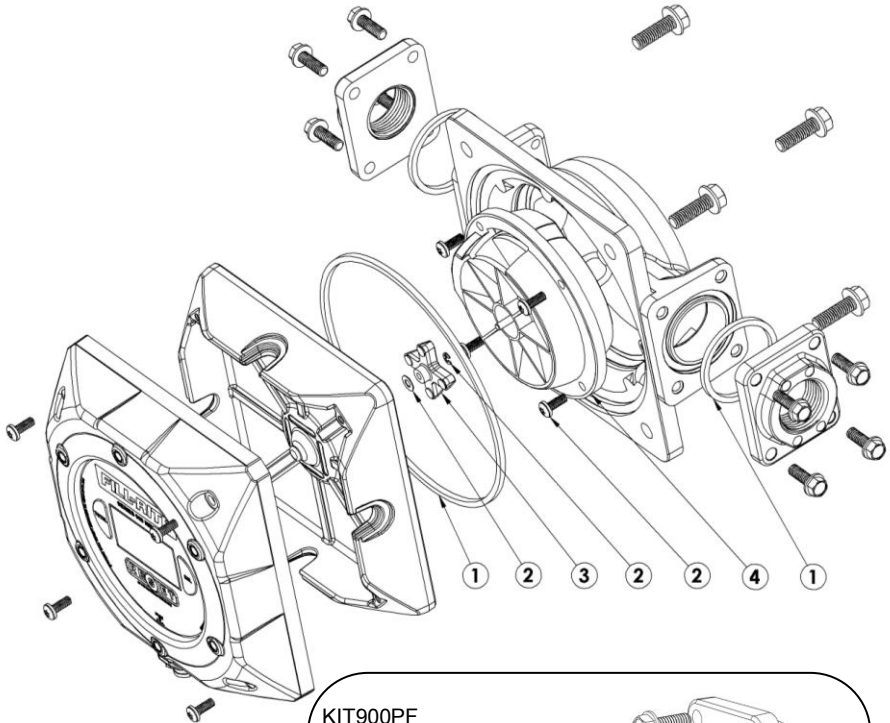
Die Zähler der **Fill-Rite** 900DB Serie wurden auf Konformität mit den Normen geprüft, die von Underwriters Laboratories (UL), UL Canada, ATEX und anderen Prüforganisationen vorgeschrieben werden. **Zur Ermittlung, welche spezielle Konformität auf den vorliegenden Zähler zutrifft, sind Informationen und Konformitätslogos auf der Stirnseite des Zählers abzulesen.**



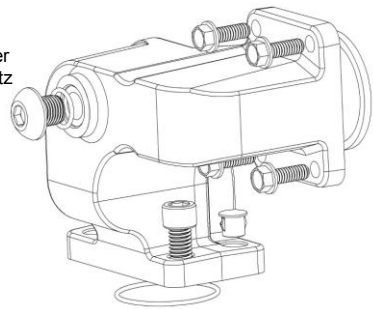
Ersatzteil-Informationen

Ersatzteile können bei einem Fill-Rite-Vertragshändler erhalten werden. Sicherstellen, dass bei der Wartung und Instandsetzung nur Original-Fill-Rite-Ersatzteile verwendet werden.

Modelle 900DB, 900DB1.5, 900DBBSPT, 900DB1.5BSPT



KIT900PF
Flansch, Zähler
zu Pumpe, Satz



Ersatzteilesatz für Digitalzähler der 900 Serie

Satz-Nr.	#	Beschreibung	Menge
900DBKT	1	Erforderliche Dichtung	3
	2	Erforderliche Befestigungsteile	6
	3	Magnetreiber	1
	4	Kammer-Baugruppe	1

Elektrik-Einbauinformationen

Interne Stromversorgung (Batteriestrom)

Alle Digitalzähler der 900DB Serie sind batteriebetrieben. Der Zähler ist hinter der Abdeckplatte auf der Platinenkarte mit einem Batteriefach versehen. Diese Einheiten werden mit zwei Alkalibatterien der Größe AA versorgt. Bei normalem Gebrauch sollten diese Batterien für 2 bis 4 Jahre Nutzungsdauer reichen. Das Digital-Display enthält eine Warnanzeige für schwachen Batteriezustand (siehe Seite 6 für Details). Bei Fragen bezüglich geeigneter Ersatzbatterien für den Zähler wenden Sie sich bitte an Ihren Vertreter des Technischen Kundendienstes von Fill-Rite unter der Rufnummer 1-800-634-2695 (Mo-Fr 8.00-17.00 EST). Falsche Batterien können die UL-Zulassung nichtig machen.



WARNUNG! Zur Verringerung des Explosionsrisikos **KEINE** alten Batterien mit neuen Batterien oder Batterien verschiedener Hersteller mischen.



WARNUNG! Batterien dürfen **NUR** durch folgende ersetzt werden:

- Duracell MN1500
- Duracell MX1500
- Energizer E91

Tuthill Produktgarantie

Tuthill Transfer Systems (der „Hersteller“) garantiert jedem Käufer von Fill-Rite-Produkten (dem „Käufer“) ab dem Datum des Rechnungsbelegs oder der Verkaufsbestätigung, dass die hergestellten Waren („Waren“) frei von Werkstoffmängeln und Fertigungsfehlern sein werden. Garantiedauer:

- Heavy Duty Produkte – zwei Jahre

Die einzige Verpflichtung des Herstellers unter dieser Garantie ist nach Wahl des Herstellers beschränkt auf den Ersatz oder die Reparatur der defekten Waren (unterliegt später angeführten Einschränkungen) oder die Rückerstattung des Kaufpreises für solche Waren, der vom Käufer bezahlt wurde; und das ausschließliche Rechtsmittel des Kunden bei Verstoß gegen solche Garantien ist die Durchsetzung dieser Verpflichtung gegenüber dem Hersteller. Falls der Hersteller die Rücksendung der Waren anfordert, sind die Waren der Abweisungen des Herstellers entsprechend freigemacht an das Werk zu senden. Die hier enthaltenen Abhilfen sind das einzige Rechtsmittel des Käufers gegenüber dem Hersteller bei einem Verstoß gegen die Garantiebestimmungen. **IN KEINEM FALL HAFTET DER HERSTELLER FÜR ANSPRÜCHE BEI SCHÄDEN AUFGRUND DER FERTIGUNG, DES VERKAUFS, DER LIEFERUNG ODER DER NUTZUNG DER WAREN, DIE HÖHER ALS DER VERKAUFSPREIS SIND.** Die vorstehende Garantie erstreckt sich nicht auf Waren, die misshandelt, vernachlässigt wurden, Unfällen ausgesetzt waren, falsch installiert oder gewartet wurden oder die von jemandem anderen als dem Hersteller oder seiner autorisierten Vertretung repariert wurden. **DIE VORSTEHENDE GARANTIE IST AUSSCHLIESSLICH UND GILT ANSTELLE ALLER ANDEREN GARANTIEEN DER HANDELSÜBLICHEN QUALITÄT, EIGNUNG FÜR EINEN BESTIMMTEN ZWECK ODER BELIEBIGE ANDERE ART VON GARANTIE – AUSDRÜCKLICH ODER STILLSCHWEIGEND.** Die vorstehende Garantie und Abhilfen dürfen von niemanden geändert werden, außer schriftlich unterzeichnet von einem befugten Vorstandsmitglied des Herstellers. Die Entgegennahme der zugestellten Waren durch den Käufer stellt die Annahme der vorstehenden Garantien und Abhilfen sowie allen Bedingungen und Einschränkungen dieser Garantie dar.

Tuthill Corporation empfiehlt, dass Sie den Quittung als Verkaufsbeleg aufheben.

Technische Daten und Informationen

Maße: 171 (H) x 215 (B) x 105 mm (D) (6,75 [H] x 8,46 [B] x 4,12 Zoll [D])

Genauigkeit: $\pm 1,25\%$

Wiederholbarkeit: $\pm 0,25\%$ bei der kalibrierten Durchflussrate.

Durchflussrate: 23 bis 151 l/min (6 bis 40 gal/min)

Drucknennwert: 3,5 bar (50 psi)

Werkstoff: Aluminium

Maßeinheiten: US-Unzen, US-Pints, US-Quarts, Liter, US-Gallons, 1 Option „Spezialmaßeinheit“.

Zähler: 4-stelliger, rücksetzbarer Zähler; (Werte 0,01 – 9999).

Summierer: 7-stelliger, nicht rücksetzbarer „Master“-Zähler (Summierer), 7-stelliger, rücksetzbarer Sekundärsummierer.

Montageoptionen: Kann für vertikale oder horizontale Montage installiert werden, indem das Display entsprechend gedreht wird.

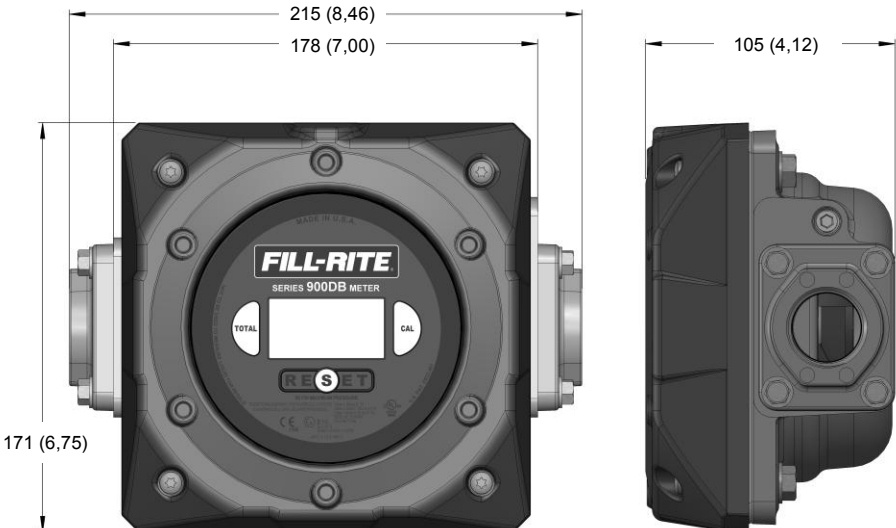
Zulassungen: UL / cUL / ATEX-Listed (Informationen über spezielle Zulassungen sind auf Seite 8 zu finden).

Stromversorgung: 2 Batterien der Größe AA* (Alkali oder zugelassene gleichwertige; wahlweise Lithium für längere Batterielebensdauer*); optionale externe Stromversorgung bei bestimmten Modellen.

Voraussichtliche Batterielebensdauer: 2 bis 4 Jahre bei normalem Gebrauch mit standardmäßigen Alkalibatterien.

Betriebstemperaturbereich:

- 900DBB: -40 bis 60 °C
- 900DBP: -40 bis 80 °C



ANMERKUNGEN