



MODEL 117 MANUAL DIAPHRAGM PUMP

LEVER ACTION SIDE INLET

One Gallon Per Stroke



117BR-200



117AL-200

- ONE GALLON PER STROKE
- VOLUMES TO 30 GPM
- POWERFUL VACUUM LIFTS
- DRY START SUCTION LIFT TO 12'
- PUMP UP TO 50% SOLIDS
- LOW EMULSIVE & SHEER ACTION
- NON-CLOGGING FLOW-THRU DESIGN
- EASY TO SET-UP, USE, CLEAN, AND MAINTAIN
- BUILT TOUGH FOR YEARS OF SERVICE
- LONG LIFE, REINFORCED PUMP DIAPHRAGMS

Edson Bone Dry Lever Action Side Inlet Pumps, Model 117 are for horizontal mounting and portable applications. The pumps use a 32" stainless steel handle to move the diaphragm up and down with an easy back and forth lever-action motion that will pump **1 GALLON PER STROKE**. When mounted to a **Model 116 Carrying Board** you have a manual pump that can be used anywhere.

For pumping materials that required rubber and/or pump wetted surfaces with different chemical resistant properties, Edson offers aluminum and bronze versions of the pump and optional diaphragms and valves made of Nitrile, Viton and Hypalon.

With a self priming suction lift of 12 ft the 117 pump can lift liquids that are well below the level of the pump. This feature combined with a 2" flow thru design of the diaphragm pump make it ideal for pumping liquids with large suspend solids.

"IF IT FLOWSTHRU THE HOSE, IT WILL GOTHRU THE PUMP."

Review the general applications listed on the next page and you will see that this pump can meet a broad range of pumping needs.

If the vertically oriented drive arm and handle is not to your liking, consider one of our other models. There is the offset drive versions Models 554 and 557 available for your consideration.

If you need a go anywhere pump capability, see the Portable Pump Kits, Model 165.

Performance:

Static Suction Lift	15ft./4.57m
Dry Suction Lift	12ft./3.65m
Dishcharge Head	15ft./4.577m
Max Volume	30 GPM/76 LPM*
	*at 30 Strokes Per Min. Min.

Ports Size:

Inlet	2" or 1 1/2" Male NPT
Discharge	2" or 1 1/2" Female NPT

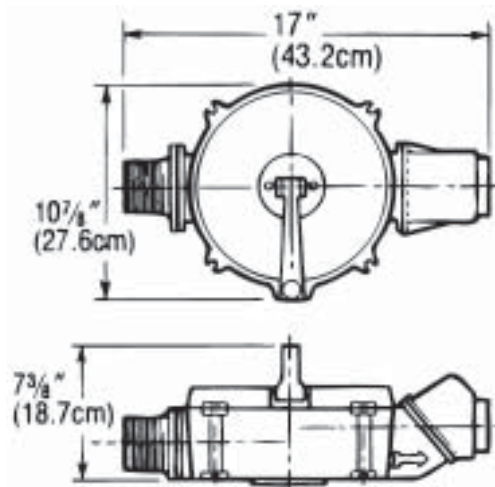
Construction:

Pump Base	Choice of:
(Wetted Parts)	Anodized Aluminum
	Marine Grade Bronze

Diaphragms & Valves.....Choice of:

- Nitrile
- Viton®
- Hypalon®

Hardware Material Stainless Steel



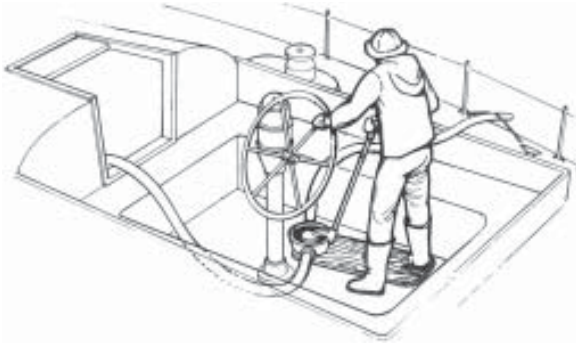
Description	Material	Port Sz	Weight Lb / Kg	Order No
Lever Action Side Inlet	Aluminum	2"	14 / 6.3	117AL-200
Lever Action Side Inlet	Aluminum	1 1/2"	14 / 6.3	117AL-150
Lever Action Side Inlet	Bronze	2"	36 / 16.3	117BR-200
Lever Action Side Inlet	Bronze	1 1/2"	36 / 16.3	117BR-150
Options				
Diaphragm & Valves	Viton®			230-1130V
Diaphragm & Valves	Hypalon®			230-1130H

Viton® and Hypalon® are a registered trademark of DuPont Dow Elastomers L.L.C.



APPLICATIONS Edson Portable Diaphragm Pump Kits are the most popular of all Edson manual pumps due to their size, capacity, and versatility. They are used for the collection and transfer of waste liquids and pumping liquids with suspended solids. They are capable of handling liquids with large suspended solids without clogging, to prime from dry starts, and to run dry. These basic performance features combined with The One Gallon Per Stroke performance make them applicable to a very diverse list of applications.

MARINE APPLICATIONS The manual pumps can be used as bilge pumps, for holding-tank pump outs, wash-down pump, makeshift shower—or all of the above! But its greatest value to the blue water sailor is its ability to pump faster than a scared man with a bucket.

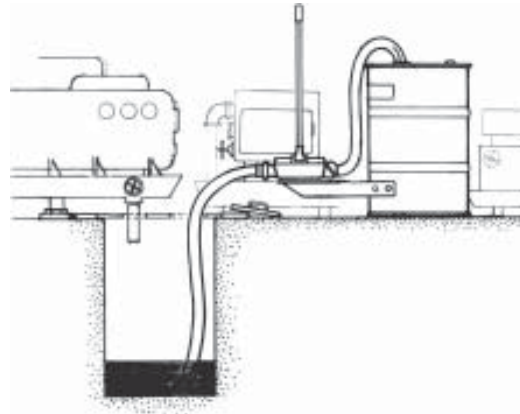


MARINE

- Bilge Pumps
- Emergency Dewatering
- Boatyard Utility Pump
- Oil Spill Cleanup
- Pump out Holding Tanks

INDUSTRIAL

- Sump Pump-Outs
- Slurry Transfer
- Abrasive Pumping
- Oil Spill Cleanup
- Groundwater Removal



ENVIRONMENTAL

- Tank Pumpouts
- Grease & Oil Collections
- Skimming Pumping
- Asbestos Cleanups
- Oil-Water Separation
- Oil Spill Cleanup

MUNICIPAL & UTILITY

- Meter Pit Dewatering
- Manhole Dewatering Sewage
- Collection & Transfer
- Waste Water Skimming
- Drain Clean-out
- Utility Trunk Pump
- Fly Ash Cleanups
- Containment Transfer

