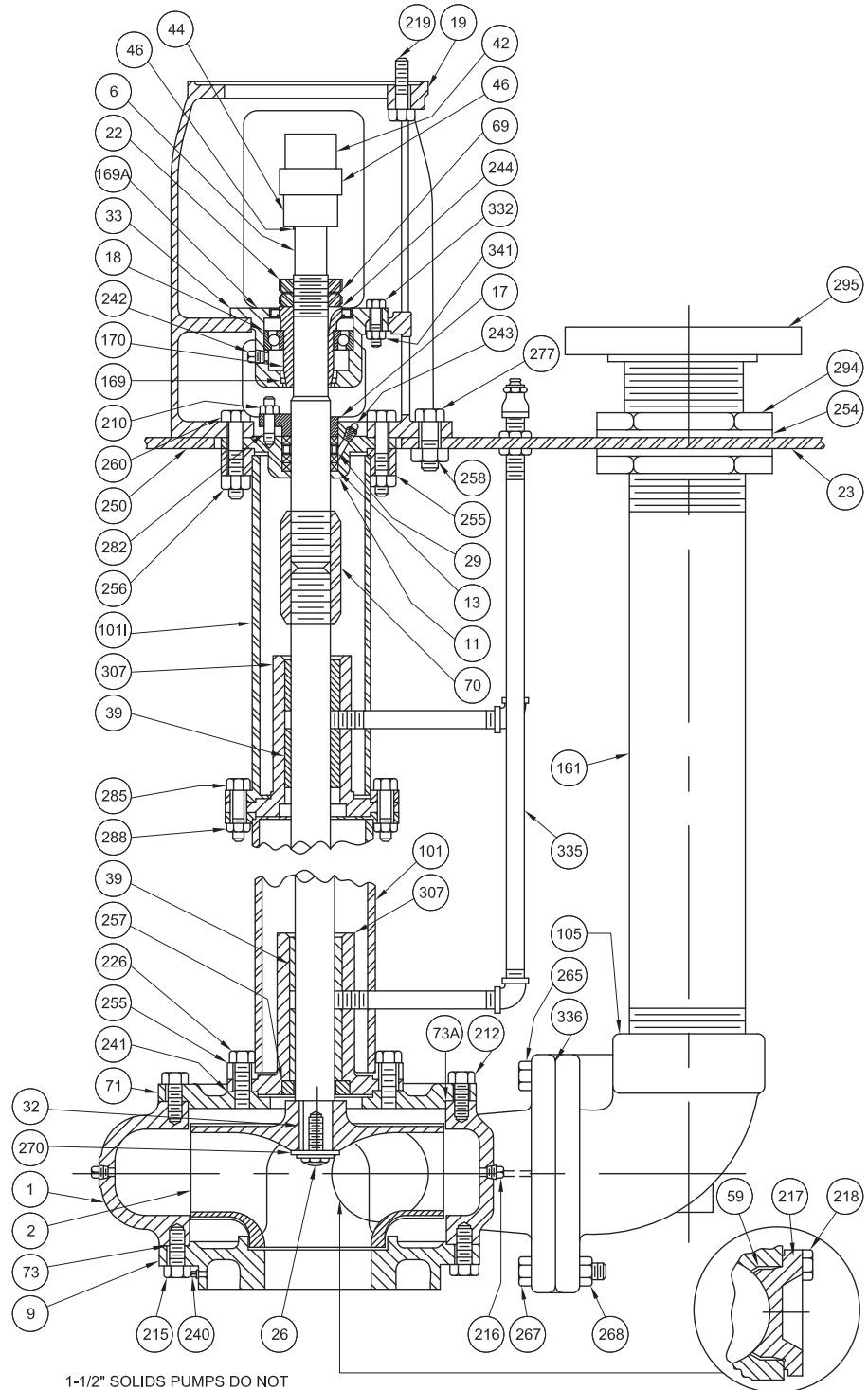


Item No.	Name Of Part
1	Casing
2	Impeller
6	Shaft
9	Suction Cover
11	Packing Box Cover
* 13	Packing
17	Gland
* 18	Ball Bearing
19	Frame
22	Bearing Lock Nut
23	Base Plate
* 26	Impeller Screw
29	Lantern Ring
* 32	Impeller Key
33	Bearing Housing
39	Bearing Bushing
42	Coupling Half - Driver
44	Coupling Half - Pump
46	Coupling Key
48	Coupling Bushing
59	Handhole Cover
69	Lockwasher
70	Shaft Coupling
71	Adapter - Seal Hand
73	Gasket
101	Column Pipe
101-I	Column Pipe
105	Discharge Elbow
161	Discharge Pipe
169	Seal - Lower
169A	Seal - Top
170	Bearing Adapter
210	Hex Nut
212	Cap Screw
215	Cap Screw
216	Pipe Plug
* 217	"O" Ring
218	Cap Screw
219	Cap Screw
226	Cap Screw
240	Pipe Plug
* 241	Gasket
242	Grease Fitting
243	Grease Fitting
* 244	Key - Bearing Adapter
250	Gasket - Frame
* 254	Gasket - Pipe Nut
255	Washer
256	Hex Nut
* 257	Choker Ring
258	Hex Nut
260	Cap Screw
265	Cap Screw
267	Cap Screw
268	Hex Nut
* 270	Impeller Washer
277	Cap Screw
282	Stud
285	Cap Screw
288	Hex Nut
294	Pipe Nut
§ 295	Discharge Flange
307	Bearing Housing
332	Cap Screw
335	Lube Pipe Assembly
336	Gasket
341	Hex Nut



1-1/2" SOLIDS PUMPS DO NOT
HAVE HAND HOLE AS STANDARD



WARNING:
CANCER AND REPRODUCTIVE HARM -
WWW.P65WARNINGS.CA.GOV

* Recommended spare parts

Repair Parts

Frame and Thrust Bearing Assembly								
Item 19 - Frame (Motor Support) - Cast Iron								
Motor Frames	Figure No.	7563		7565		7566 - 7568		
New T-Style	Old U-Style	Part No.	Dwg. No.	Part No.	Dwg. No.	Part No.	Dwg. No.	
56C - 143TC - 145TC	56C - 182C - 184C	0019174	4940	0019174	4940	-	-	
182TC thru 256TC	213C thru 256UC	0019172	4941	0019172	4941	-	-	
284TC - 286TC	284UC - 286UC	-	-	0026352	4942	† 0055208	4136	
324TSC thru 365TC	324UC thru 405USC	-	-	0026415	4998	0055208	41361	
324TSC thru 405TSC	324UC thru 405USC	-	-	-	-	0055208	41361	
-	444USC - 445USC	-	-	-	-	0054770	41362	
-	364UP - 445UP	-	-	-	-	0055222	41364	

Miscellaneous Parts for Frame Assembly								
Item No.	For Frame Part No.	Fig. 7563 - 7565				Fig. 7566 - 7568		
		0019172	0019174	0026352	0026415	0054770	0055208	0055222
	Description	Part No.	Part No.	Part No.	Part No.	Part No.	Part No.	Part No.
* 18	Ball Bearing	0005304	0005304	0005304	0005304	0055509	0055509	0055509
22	Bearing Lock Nut (2 Req'd)	0003304	0003304	-	-	-	-	-
33	Bearing Housing	0003137	0003137	0003137	0003137	0006032	0006032	0006032
46	Key (For Item 46)	0018310	-	0046165	0046165	0055337	0055337	0055337
		0002204	0002204	-	-	-	-	-
		0002205	0002204	0002205	0002205	0002219	0002219	0002219
69	Lock washer	0003300	0003300	-	-	-	-	-
		0003130	0003130	0003130	0003130	0046743	0046743	0046743
* 169A	Seal - Top (For Item 33)	0006952	0006952	0006952	0006952	0055510	0055510	0055510
* 169	Seal - Bottom (For Item 33)	0046558	0046558	0046558	0046558	0055511	0055511	0055511
170	Bearing Adapter	0045922	0045922	-	-	-	-	-
		0045924	0045924	0045924	0045924	0055255	0055255	0055255
219	Cap Screws - Motor Frame							
	56C - 143TC - 145TC	0000404	0000404	-	-	-	-	-
	182TC thru 256TC	0000453	-	-	-	-	-	-
	284TC - 286TC	-	-	0000437	-	-	-	-
	324TSC - 326TSC	-	-	-	0000463	0000457	0000457	0000457
	364TSC thru 405TSC	-	-	-	0000463	0000457	0000457	0000457
242	Grease Fitting	0003131	0003131	0003131	0003131	0003131	0003131	0003131
244	Key (For Item 170)	0002199	0002199	0002199	0002199	0002214	†† 0002214	0002214
* 250	Gasket (For Item 19)	0030664	0030664	0030675	0030675	0056022	0056022	0056022
255	Washer (For Item 260 †)	0015142	0015142	0015142	0015142	-	-	-
256	Hex Nut (For Item 260)	0001179	0001179	0001179	0001179	0002638	0002638	0002638
258	Hex Nut (For Item 221)	0002638	0002638	0002638	0002638	0002638	0002638	0002638
260	Cap Screw	0000441	0000441	0000441	0000441	0000465	0000465	0000465
277	Cap Screw	0000453	0000453	0000453	0000453	0000459	0000459	0000459
332	Cap Screw (For Item 33)	0000404	-	0000404	0000404	0000404	0000404	0000404
341	Hex Nut (For Item 332)	0001168	-	0001168	0001168	0001168	0001168	0001168

† Use on Fig. 7565 only.
 † Frame 0055208 used with Motor Frame 284-286TC.
 Requires Adapter Plate 0053376 and 4 Cap Screws 0000453.
 †† Item 244 Use Part No. 0002218 for 284-286TC Motor Frame.
 * Recommended Spare Parts.

Repair Parts

Liquid End Parts											
Fig. No.	Item No.	1 - Casing with Plugs Cast Iron		2 - Impeller			9 - Suction Cover with Plug Cast Iron		59 - Hand Hole Cover Cast Iron	* 217 - "O" Ring (Item 59)	218 - Cap Screw (2 Req'd)
				Cast Iron	Bronze						
Pump Size		Part No.	Dwg. No.	Part No.	Part No.	Dwg. No.	Part No.	Dwg. No.	Part No.	Part No.	Part No.
7563											
2 x 2 x 7/4 x 1 1/2		0072673	33374	0044899	0044901	27000	0072690	26831	NA	NA	NA
2 x 2 x 9/2 x 1 1/2		0072677	33378	0044907	0044909	27002	0072693	33373	NA	NA	NA
4 x 3 x 7/4 x 2 1/2		0072674	33375	0044602	0044604	26834	0072692	26833	0043727	0000166	0000397
4 x 4 x 7/4 x 2 1/2		0072675	33376	0044602	0044604	26834	0072692	26833	0043727	0000166	0000397
4 x 4 x 7/4 x 3		0085678	34123	0044611	0044613	26836	0072692	26833	0043723	0035052	0000432
4 x 4 x 7/4 x 3 †		0072676	33373	0044611	0044613	26836	0072692	26833	0043723	0035052	0000432
7565											
4 x 3 x 9 1/2 x 2		0072678	33310	0045074	0045076	33330	0072695	33313	0043719	0000163	0000397
4 x 4 x 9 1/2 x 2		0072679	33311	0045074	0045076	33330	0072695	33313	0043719	0000163	0000397
4 x 3 x 12 x 2		0072683	33389	0044747	0044748	26888	0072699	33384	0043719	0000168	0000397
4 x 4 x 12 x 2		0072684	33390	0044747	0044748	26888	0072699	33384	0043719	0000168	0000397
4 x 3 x 9 1/2 x 2 1/2		0072681	33309	0045046	0045048	33314	0072695	33313	0043727	0000166	0000397
4 x 4 x 12 x 2 1/2		0072686	33392	0044751	0044752	26890	0072699	33384	0043727	0000166	0000397
7566											
4 x 4 x 9 1/2 x 3		0085679	34119	0045006	0045008	33304	0072696	33332	0043723	0035052	0000432
4 x 4 x 9 1/2 x 3 †		0072682	33306	0045006	0045008	33304	0072696	33332	0043723	0035052	0000432
4 x 4 x 12 x 3		0085680	41564	0044755	0044756	26892	0072700	33385	0043723	0035052	0000432
4 x 4 x 12 x 3 †		0072687	33393	0044755	0044756	26892	0072700	33385	0043723	0035052	0000432
6 x 4 x 12 x 3		0085680	41564	0044759	0044760	26894	0072701	33388	0043723	0035052	0000432
6 x 4 x 12 x 3 †		0072687	33393	0044759	0044760	26894	0072701	33388	0043723	0035052	0000432
8 x 6 x 12 x 3		0072688	33395	0044759	0044760	26894	0072702	33458	0043987	0040030	0000432
7566											
4 x 4 x 12 x 2		0072684	33390	0044645	0044647	26852	0072699	33384	0043719	0000168	0000397
4 x 4 x 12 x 2 1/2		0072686	33392	0044653	0044655	26854	0072699	33384	0043727	0000166	0000397
4 x 4 x 12 x 3		0085680	41564	0044661	0044663	26856	0072700	33385	0043723	0035052	0000432
4 x 4 x 12 x 3 †		0072687	33393	0044661	0044663	26856	0072700	33385	0043723	0035052	0000432
6 x 4 x 12 x 3		0085680	41564	0044669	0044671	26858	0072701	33388	0043723	0035052	0000432
6 x 4 x 12 x 3 †		0072687	33393	0044669	0044671	26858	0072701	33388	0043723	0035052	0000432
8 x 6 x 12 x 3		0072688	33395	0044669	0044671	26858	0072702	33458	0043987	0040030	0000452
7568											
8 x 8 x 15 x 3		0072689	41320	0063510	0063512	33686	0072703	33549	0044232	0040844	0000467

NOTE: † Earlier casing design, discontinued in 1975, but available for repairs. New casing is interchangeable with previous casing but requires modification of discharge piping.

Item No.	Description	Part No.	Part No.	Part No.	Part No.
		For Impeller Dia.			
		7/4"	9/2"	12"	15"
* 26	Impeller Screw - 316 SS	Fig. 7563 0053313	0052983	-	-
	Fig. 7565	-	0053315	0052985	-
	Fig. 7566-7568	-	-	0080387	0080387
* 32	Impeller Key - Steel	Fig. 7563 0002193	0002193	-	-
	Fig. 7565	-	0002204	0002204	-
	Fig. 7566-7568	-	-	0055876	0055876
71	Casing Adapter	Fig. 7563-7565 0046291	0046295	0046299	-
		Fig. 7566-7568	-	0061134	0063502
73	Suction Cover Gasket - Velcar	0043945	0043904	0043981	0064885
* 73A	Casing Gasket - Velcar	0043945	0043904	0043981	0064885
212	Cap Screw - (8 Req'd)	0000397	0000432	0055242	(12) 0055242
215	Cap Screw - (8 Req'd)	0000397	0000432	0055242	(12) 0055242
216	Pipe Plug - (3 Req'd)	0002009	0002009	0003433	0003433
240	Pipe Plug	0002009	0002009	0002009	0002009
*270	Impeller Washer - 316 SS	Fig. 7563 0093854	0093854	-	-
	Fig. 7565	-	0074732	0074732	-
	Fig. 7566-7568	-	-	0080308	0080308

NA - Not Available

* Recommended spare parts

Repair Parts

Top Column Closure and Bearing Housing Parts						
Item No.	Description	No. Req'd	Fig. No.	1¼"	1½"	1⅝"
				7563	7565	7566-7568
			Material	Part No.	Part No.	Part No.
11	Design 3 Top Closure	1	Cast Iron	0015461	0016591	0044510
* 13	Packing Box Cover	3	GAR 8913	0030713	0072574	0024789
17	Gland	1	Cast Iron	0017026	0018018	0024795
29	Lantern Ring - ½"	2	Teflon	0076639	0080366	0079019
210	Hex Nut (For Item 282)	2	Steel	0000113	0001168	0001168
243	Grease Fitting	1	Steel	0003131	0003131	0003131
	Nipple	1	Steel	-	-	0000896
	Coupling	1	Steel	-	-	0003641
282	Stud (For Item 11)	2	Steel	0000503	0000520	0000524
* 39	Design 6 Bottom Assembly	2	Bronze	0006616	0019350	0014796
	Bearing Bushing (per Housing)	2	Cast Iron	0006615	0019349	0026463
		2	GAR 8913	0031165	0027351	0033985
		2	Carbolube	0040602	0030948	0075559
307	Bearing Housing only	1	Cast Iron	0013888	0015204	0026464
* 257	Choker Ring	1	Cast Iron	0019921	0019346	0026470
Design 8 Intermediate Assembly - Same as Design 6 above except less Choker Ring, Item 257						
* 39	Design 10 Bottom or Intermediate Assembly	1	Teflon	0070236	0070235	0057486 (2 Req'd)
307	Bearing Bushing	1	Cast Iron	0015204	0015204	0057482
	Bearing Housing only	1	SS	0039321	0039321	0034688
	Machine Screw	1	SS	0039321	0039321	0034688
39	Design 11 Bottom Assembly	2	Bronze	0006616	0019350	0014796 + 0072389
	Bearing Bushing (per Housing)	2	Cast Iron	0006615	0019349	0026463 + 0072388
		2	Babbitt Graphite	0031165	0027351	0033985 + 0072390
		2	Carbolube	0040602	0030948	0075559 + 0075560
307	Bearing Housing only	1	Cast Iron	0047747	0047751	0045817
* 257	Choker Ring	1	Cast Iron	0049868	0049866	0026470
	Packing Rings	5	GAR 8913	0030713	0072574	0034308
	Spring	1	SS	0046040	0009842	0013366
	Washer	3	SS	0034583	0000318	0049991
	Set Screw	4	SS	0006761	0006761	0006761
* 39	Design 12 Bottom or Intermediate Assembly	1	Rubber	0008624	0008632	0008637
* 39	Bearing Bushing (Top)	1	Rubber	0008626	0008633	0008637
307	Bearing Bushing (Bottom)	1	Cast Iron	0052609	0049880	0081732
	Bearing Housing	1	Cast Iron	0027312	0027341	0079019 (2 Req'd)
	Lantern Ring	1	Cast Iron	0027312	0027341	0079019 (2 Req'd)
	Bearing Cover	1	Steel	0027315	0020486	-
	Set Screw ¼" x ½"	3	Steel	0005158	0005158	-
	Choker Ring	1	Cast Iron	-	-	0034689

Item 6 - Shaft Only

For Pump Shaft, please refer to Application Engineering Dept., giving full Pump Nameplate Data, including Figure Number, Pump Size, and Pump Serial Number.

* Recommended spare parts

Repair Parts

Item No.	§ Pump Setting Length	Fig. 7563 3" Column		Fig. 7565 4" Column		Fig. 7566 6" Column		Fig. 7568 8" Column	
		Part No.	Length	Part No.	Length	Part No.	Length	Part No.	Length
101	† 3" Spacer	0031180		0026847					
	† 6" Spacer	0017408		0024706					
	† 2ft.	0026337		0026337					
	3ft.	0019720	23 $\frac{5}{8}$ "	0019710	23 $\frac{5}{8}$ "	0055378	21 $\frac{1}{2}$ "	0063705	17 $\frac{1}{2}$ "
	4ft.	0019721	35 $\frac{5}{8}$ "	0019711	35 $\frac{5}{8}$ "	0055379	33 $\frac{1}{2}$ "	0063706	29 $\frac{1}{2}$ "
	5ft.	0019722	47 $\frac{5}{8}$ "	0019712	47 $\frac{5}{8}$ "	0055380	45 $\frac{1}{2}$ "	0063707	41 $\frac{1}{2}$ "
6ft.	0019723	59 $\frac{5}{8}$ "	0019713	59 $\frac{5}{8}$ "	0055381	57 $\frac{1}{2}$ "	0063708	53 $\frac{1}{2}$ "	
101A - 1011 Top		0019721	35 $\frac{5}{8}$ "	0019711	35 $\frac{5}{8}$ "	0055380	45 $\frac{1}{2}$ "	0063707	41 $\frac{1}{2}$ "
101 Bottom	7ft.	0019721	35 $\frac{5}{8}$ "	0019711	35 $\frac{5}{8}$ "	0078867	23 $\frac{1}{2}$ "	0078694	
101A - 1011 Top		0019722	47 $\frac{5}{8}$ "	0019712	47 $\frac{5}{8}$ "	0055383	59 $\frac{1}{2}$ "	0063710	59 $\frac{1}{2}$ "
101 Bottom	8ft.	0019721	35 $\frac{5}{8}$ "	0019711	35 $\frac{5}{8}$ "	0055378	21 $\frac{1}{2}$ "	0063705	17 $\frac{1}{2}$ "
101A - 1011 Top		0019723	59 $\frac{5}{8}$ "	0019713	59 $\frac{5}{8}$ "	0055383	59 $\frac{1}{2}$ "	0063710	59 $\frac{1}{2}$ "
101 Bottom	9ft.	0019721	35 $\frac{5}{8}$ "	0019711	35 $\frac{5}{8}$ "	0055379	33 $\frac{1}{2}$ "	0063706	29 $\frac{1}{2}$ "
101A - 1011 Top		0019723	59 $\frac{5}{8}$ "	0019713	59 $\frac{5}{8}$ "	0055383	59 $\frac{1}{2}$ "	0063710	59 $\frac{1}{2}$ "
101 Bottom	10ft.	0019722	47 $\frac{5}{8}$ "	0019712	47 $\frac{5}{8}$ "	0055380	45 $\frac{1}{2}$ "	0063707	41 $\frac{1}{2}$ "
101A - 1011 Top		0019723	59 $\frac{5}{8}$ "	0019713	59 $\frac{5}{8}$ "	0055383	59 $\frac{1}{2}$ "	0063710	59 $\frac{1}{2}$ "
101 Bottom	11ft.	0019723	59 $\frac{5}{8}$ "	0019713	59 $\frac{5}{8}$ "	0055381	57 $\frac{1}{2}$ "	0063708	53 $\frac{1}{2}$ "
101A - 1011 Top		0019723	59 $\frac{5}{8}$ "	0019713	59 $\frac{5}{8}$ "	0055383	59 $\frac{1}{2}$ "	0063710	59 $\frac{1}{2}$ "
101-1 - 1011 Inter.	12ft.	0019721	35 $\frac{5}{8}$ "	0019711	35 $\frac{5}{8}$ "	0055380	45 $\frac{1}{2}$ "	0063707	41 $\frac{1}{2}$ "
101 Bottom		0019721	35 $\frac{5}{8}$ "	0019711	35 $\frac{5}{8}$ "	0078867	23 $\frac{1}{2}$ "	0078694	23 $\frac{1}{2}$ "
101A - 1011 Top		0019723	59 $\frac{5}{8}$ "	0019713	59 $\frac{5}{8}$ "	0055383	59 $\frac{1}{2}$ "	0063710	59 $\frac{1}{2}$ "
101-1 - 1011 Inter.	13ft.	0019722	47 $\frac{5}{8}$ "	0019712	47 $\frac{5}{8}$ "	0055383	59 $\frac{1}{2}$ "	0063710	59 $\frac{1}{2}$ "
101 Bottom		0019721	35 $\frac{5}{8}$ "	0019711	35 $\frac{5}{8}$ "	0055378	21 $\frac{1}{2}$ "	0063705	17 $\frac{1}{2}$ "
101A - 1011 Top		0019723	59 $\frac{5}{8}$ "	0019713	59 $\frac{5}{8}$ "	0055383	59 $\frac{1}{2}$ "	0063710	59 $\frac{1}{2}$ "
101-1 - 1011 Inter.	14ft.	0019723	59 $\frac{5}{8}$ "	0019713	59 $\frac{5}{8}$ "	0055383	59 $\frac{1}{2}$ "	0063710	59 $\frac{1}{2}$ "
101 Bottom		0019721	35 $\frac{5}{8}$ "	0019711	35 $\frac{5}{8}$ "	0055379	33 $\frac{1}{2}$ "	0063706	29 $\frac{1}{2}$ "
101A - 1011 Top		0019723	59 $\frac{5}{8}$ "	0019713	59 $\frac{5}{8}$ "	0055383	59 $\frac{1}{2}$ "	0063710	59 $\frac{1}{2}$ "
101-1 - 1011 Inter.	15ft.	0019723	59 $\frac{5}{8}$ "	0019713	59 $\frac{5}{8}$ "	0055383	59 $\frac{1}{2}$ "	0063710	59 $\frac{1}{2}$ "
101 Bottom		0019722	47 $\frac{5}{8}$ "	0019712	47 $\frac{5}{8}$ "	0055380	45 $\frac{1}{2}$ "	0063707	41 $\frac{1}{2}$ "

§ Length shown are for standard pit depths as shown on Pump Price Page 7560. For non-standard lengths, refer to Application Engineering Dept. giving all information shown on pump nameplate.

† These items made of cast iron.

Parts Used with Column Pipe						
Item No.	Description	Fig. 7563 3" Column	Fig. 7565 4" Column	Fig. 7566 6" Column	Fig. 7568 8" Column	
		Part No.	Part No.	Part No.	Part No.	Part No.
226	Cap Screw (4 Req'd)	0000434	0000437	-	-	-
	(8 Req'd)	-	-	0000457	0000457	0000457
* 241	Gasket (For Item 71)	0004553	0004553	0054558	0054558	0054558
255	Washer (For Item 226)	-	0015142	-	-	-
285	Cap Screw per Flange (4 Req'd)	0000440	0000441	-	-	-
	(8 Req'd)	-	-	0033372	0033372	0033372
288	Hex Nut (For Item 285)	0001179	0001179	0002638	0002638	0002638

* Recommended spare parts

Repair Parts

Item 6 - Pump Shaft - Standard - Type 410 SS For current TC or TSC Frame Motors									
Item No.	Pump Setting Length in Feet	Fig. 7563		Fig. 7565				Fig. 7566	Fig. 7568
		Motor Frame Size		Motor Frame Size				Motor Frame Size	
		56C	182TC	56C	182TC	284TC	324TSC	324-326TSC	324-326TSC
		143TC	184TC	143TC	184TC	286TC	326TSC	364-365TSC	364-365TSC
		145TC	213TC	145TC	254TC	-	364TSC	404-405TSC	404-405TSC
		-	215TC	-	256TC	-	365TSC	444-445TSC	444-445TSC
		-	-	-	-	-	-	-	-
		Part No.	Part No.	Part No.	Part No.	Part No.	Part No.	Part No.	Part No.
6	2	0053456	0053484	0074219	0053512	0074180	0053568	-	-
	3	0053457	0053485	0074220	0053513	0074181	0053569	0055588	0055297
	4	0053458	0053486	0074221	0053514	0074182	0053570	0055589	0055298
	5	0053459	0053487	0074222	0053515	0074183	0053571	0055590	0055299
	6	0053460	0053488	0074223	0053516	0074184	0053572	0055591	0055300
	7	0053461	0053489	0074224	0053517	0074185	0053573	0055592	0055301
	8	0053462	0053490	0074225	0053518	0074186	0053574	0055593	0055302
	9	0053463	0053491	0074226	0053519	0074187	0053575	0055594	0055303
	10	0053464	0053492	0074227	0053520	0074188	0053576	0055595	0055304
	6-1	11	0053397	0053407	0074348	0053417	0074358	0053437	0055542
6		0053389	0053389	0053391	0053391	0053391	0053391	0055336	0055336
6-1	12	0053398	0053408	0074349	0053418	0074359	0053438	0055543	0055331
6		0053389	0053389	0053391	0053391	0053391	0053391	0053391	0055336
6-1	13	0053399	0053409	0074350	0053419	0074360	0053439	0055544	0055332
6		0053389	0053389	0053391	0053391	0053391	0053391	0055336	0055336
6-1	14	0053400	0053410	0074351	0053420	0074361	0053440	0055545	0055333
6		0053389	0053389	0053391	0053391	0053391	0053391	0055336	0055336
6-1	15	0053401	0053411	0074352	0053421	0074362	0053441	0055546	0055334
6		0053389	0053389	0053391	0053391	0053391	0053391	0055336	0055336

Item 70 - Shaft Coupling - Required with 2 piece pump shaft - Fig. 7563 Part No. 0018022, Fig. 7565 Part No. 0018023, Fig. 7566 and 7568 Part No. 0018024

§ Lengths shown are for standard pit depths as shown on Pump Price Pages 7560. For non-standard lengths, refer to Application Engineering Dept. giving all information shown on pump nameplate.

Discharge Pipe Fittings							
Item No.	Description	Discharge Pipe Size					
		2"	3"	4"	6"	8"	10"
		Part No.	Part No.	Part No.	Part No.	Part No.	Part No.
* 254	Pipe Nut Gasket	0015180	0015182	0015183	0015185	0015186	0015187
265	Cap Screw (2 Req'd)	-	-	0000453	0000472	0000472	0000472
267	Cap Screw (4 Req'd)	0000457	0000459	-	-	-	-
	(6 Req'd)	-	-	0000461	0006814	0000476	0000476
268	Hex Nut (For Item 267)	0002638	0002638	0002638	0002710	0002710	0002710
336	Gasket Discharge Flange	0007272	0007200	0007201	0007203	0007274	0007275

For Float Rod and parts please refer to parts page 1600-1, Section 49.

* Recommended spare parts