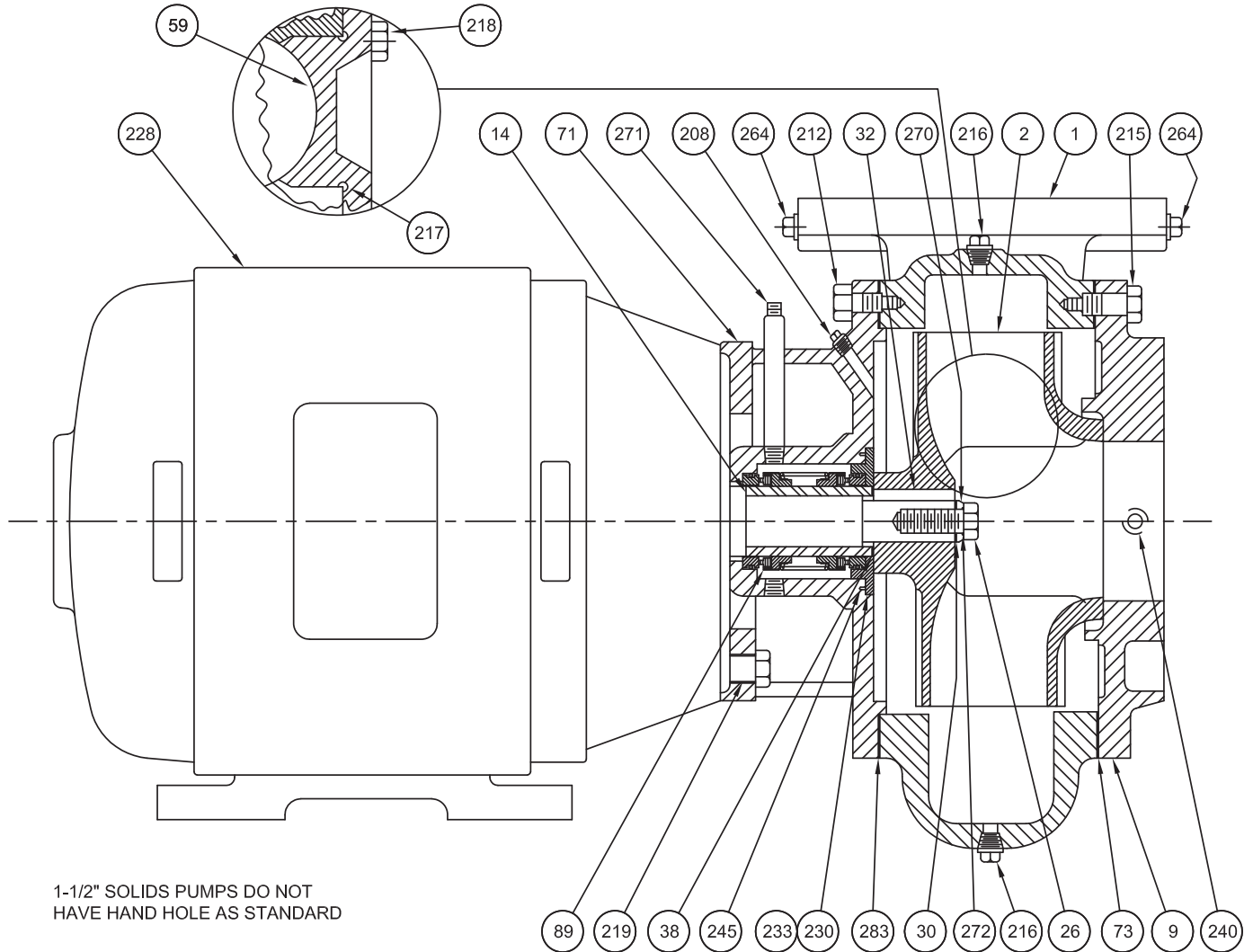


### Repair Parts



1-1/2" SOLIDS PUMPS DO NOT  
HAVE HAND HOLE AS STANDARD



**WARNING:**

CANCER AND REPRODUCTIVE HARM -  
WWW.P65WARNINGS.CA.GOV

| Item No. | Name of Part                  | Item No. | Name of Part    | Item No. | Name of Part           |
|----------|-------------------------------|----------|-----------------|----------|------------------------|
| 1        | Casing                        | 71       | Motor Adapter   | 228      | Motor                  |
| 2        | Impeller                      | * 73     | Casing Gasket   | 230      | Seal Retainer          |
| 9        | Suction Cover                 | * 89     | Seal - Double   | * 233    | Gasket (Seal Retainer) |
| 14       | Shaft Sleeve                  | 208      | Pipe Plug       | 240      | Pipe Plug              |
| * 26     | Impeller Screw - Self Locking | 212      | Set Screw       | 245      | Machine Screw          |
| 30       | Impeller Washer Gasket        | 215      | Cap Screw       | 264      | Pipe Plug              |
| 32       | Impeller Key                  | 216      | Pipe Plug       | * 270    | Impeller Washer        |
| 38       | Shaft Sleeve Gasket           | 217      | Handhole O-Ring | 271      | Pipe Plug              |
| 40       | Deflector (Not Shown)         | 218      | Cap Screw       | 272      | Impeller Bolt O-Ring   |
| 59       | Handhole Cover                | 219      | Cap Screw       | * 283    | Gasket Set             |

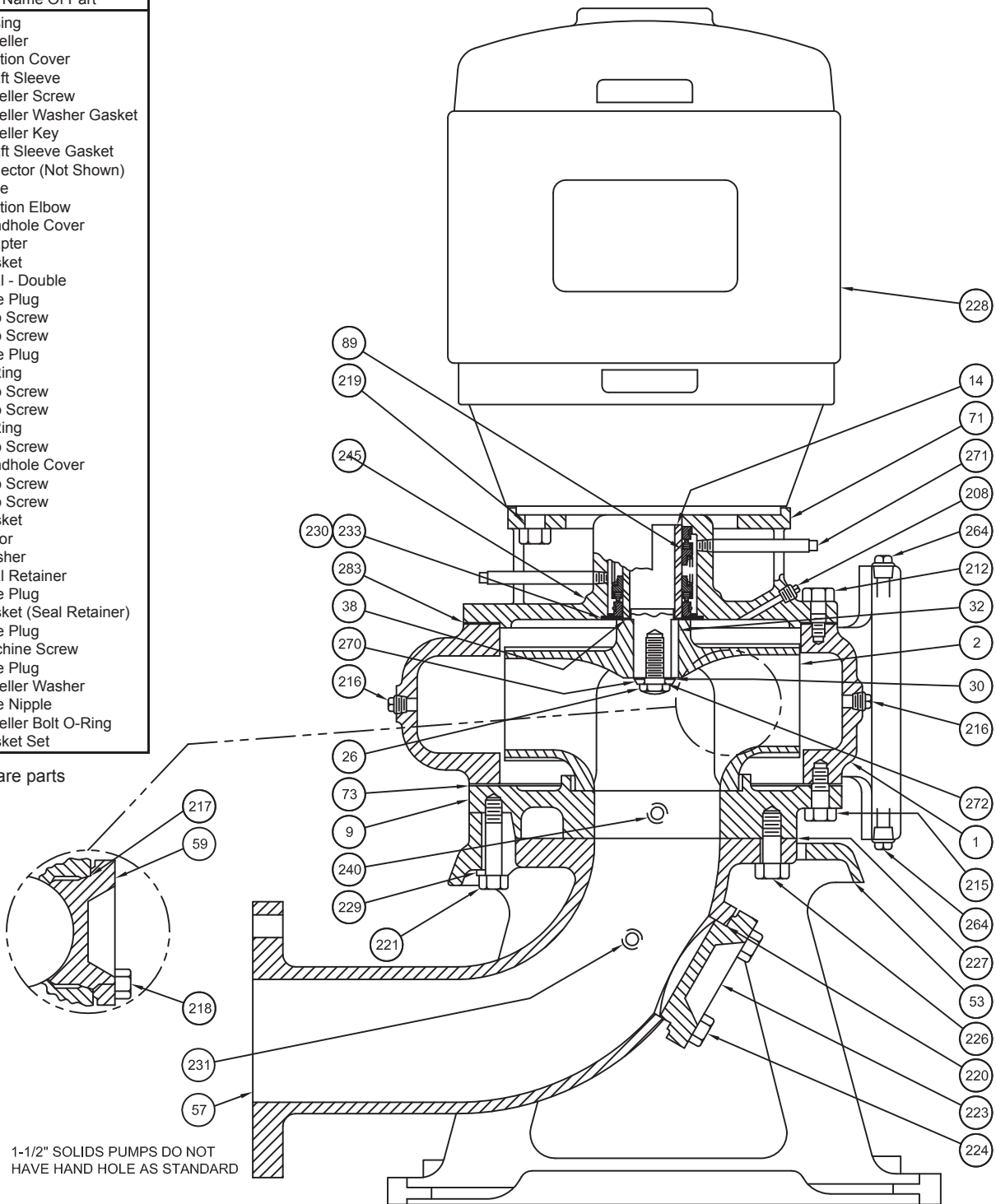
NOTE: Items 30, 38 and 272 are not shown.

\* Recommended spare parts

## Repair Parts

| Item No. | Name Of Part           |
|----------|------------------------|
| 1        | Casing                 |
| 2        | Impeller               |
| 9        | Suction Cover          |
| 14       | Shaft Sleeve           |
| * 26     | Impeller Screw         |
| 30       | Impeller Washer Gasket |
| 32       | Impeller Key           |
| 38       | Shaft Sleeve Gasket    |
| 40       | Deflector (Not Shown)  |
| 53       | Base                   |
| 57       | Suction Elbow          |
| 59       | Handhole Cover         |
| 71       | Adapter                |
| * 73     | Gasket                 |
| * 89     | Seal - Double          |
| 208      | Pipe Plug              |
| 212      | Cap Screw              |
| 215      | Cap Screw              |
| 216      | Pipe Plug              |
| 217      | O-Ring                 |
| 218      | Cap Screw              |
| 219      | Cap Screw              |
| 220      | O-Ring                 |
| 221      | Cap Screw              |
| 223      | Handhole Cover         |
| 224      | Cap Screw              |
| 226      | Cap Screw              |
| * 227    | Gasket                 |
| 228      | Motor                  |
| 229      | Washer                 |
| 230      | Seal Retainer          |
| 231      | Pipe Plug              |
| * 233    | Gasket (Seal Retainer) |
| 240      | Pipe Plug              |
| 245      | Machine Screw          |
| 264      | Pipe Plug              |
| * 270    | Impeller Washer        |
| 271      | Pipe Nipple            |
| 272      | Impeller Bolt O-Ring   |
| * 283    | Gasket Set             |

\* Recommended spare parts



1-1/2" SOLIDS PUMPS DO NOT  
HAVE HAND HOLE AS STANDARD



**WARNING:**

CANCER AND REPRODUCTIVE HARM -  
WWW.P65WARNINGS.CA.GOV

### Repair Parts

| Liquid End Parts |                  |  |          |                              |                   |                             |   |          |                            |                 |
|------------------|------------------|--|----------|------------------------------|-------------------|-----------------------------|---|----------|----------------------------|-----------------|
| Figure No.       | Pump Size        | Item 1 - Casing with Plugs Right or Left Hand - C.I. |          | Item 59 Hand Hole Cover Only | Item 217 "O" Ring | Item 218 Cap Screws 2 Req'd | Item 9 - Suction Cover with Plug - C.I. |          | Suction Cover Wearing Ring |                 |
|                  |                  | Part No.   | Dwg. No. | Part No.                     | Part No.          | Part No.                    | Part No.                                | Dwg. No. | Cast Iron Part No.         | Bronze Part No. |
| 7171 & 7181      | 2 x 2 x 7¼ x 1½  | 0072673  | 33374    | NA                           | NA                | NA                          | 0072690                                 | 26831    | 0077893                    | 0076806         |
|                  | 2 x 2 x 9½ x 1½  | 0072677  | 33378    | NA                           | NA                | NA                          | 0072693                                 | 33373    | 0077893                    | 0076806         |
|                  | 4 x 3 x 9½ x 2   | 0072678  | 33310    | 0043719                      | 0000163           | 0000397                     | 0072695                                 | 33313    | 0077887                    | 0073535         |
|                  | 4 x 4 x 9½ x 2   | 0072679  | 33311    | 0043719                      | 0000163           | 0000397                     | 0072695                                 | 33313    | 0077887                    | 0073535         |
|                  | 4 x 3 x 7¼ x 2½  | 0072674  | 33375    | 0043727                      | 0000166           | 0000397                     | 0072692                                 | 26833    | 0077887                    | 0073535         |
|                  | 4 x 4 x 7¼ x 2½  | 0072675  | 33376    | 0043727                      | 0000166           | 0000397                     | 0072692                                 | 26833    | 0077887                    | 0073535         |
|                  | 4 x 3 x 9½ x 2½  | 0072680  | 33307    | 0043727                      | 0000166           | 0000397                     | 0072695                                 | 33313    | 0077887                    | 0073535         |
|                  | 4 x 4 x 9½ x 2½  | 0072681  | 33309    | 0043727                      | 0000166           | 0000397                     | 0072695                                 | 33313    | 0077887                    | 0073535         |
|                  | 4 x 4 x 7¼ x 3   | 0085678  | 34123    | 0043723                      | 0035052           | 0000432                     | 0072692                                 | 26833    | 0077887                    | 0073535         |
|                  | 4 x 4 x 7¼ x 3 † | 0072676  | 33377    | 0043723                      | 0035052           | 0000432                     | 0072692                                 | 26833    | 0077887                    | 0073535         |
| 4 x 4 x 9½ x 3   | 0085679          | 34419  | 0043723  | 0035052                      | 0000432           | 0072696                     | 33332                                   | 0077891  | 0075274                    |                 |
| 4 x 4 x 9½ x 3 † | 0072682          | 33306  | 0043723  | 0035052                      | 0000432           | 0072696                     | 33332                                   | 0077891  | 0075274                    |                 |
| 7172 & 7182      | 2 x 2 x 9½ x 12  | 0072677  | 33378    | NA                           | NA                | NA                          | 0072693                                 | 33373    | 0077893                    | 0076805         |
|                  | 4 x 3 x 9½ x 2   | 0072678  | 33310    | 0043719                      | 0000163           | 0000397                     | 0072695                                 | 33313    | 0077887                    | 0073535         |
|                  | 4 x 4 x 9½ x 2   | 0072679  | 33311    | 0043719                      | 0000163           | 0000397                     | 0072695                                 | 33313    | 0077887                    | 0073535         |
|                  | 4 x 3 x 12 x 2   | 0072683  | 33389    | 0043719                      | 0000163           | 0000397                     | 0072699                                 | 33384    | 0077887                    | 0073535         |
|                  | 4 x 4 x 12 x 2   | 0072684  | 33390    | 0043719                      | 0000163           | 0000397                     | 0072699                                 | 33384    | 0077887                    | 0073535         |
|                  | 4 x 3 x 7¼ x 2½  | 0072674  | 33375    | 0043727                      | 0000166           | 0000397                     | 0072692                                 | 26833    | 0077887                    | 0073535         |
|                  | 4 x 4 x 7¼ x 2½  | 0072675  | 33376    | 0043727                      | 0000166           | 0000397                     | 0072692                                 | 26833    | 0077887                    | 0073535         |
|                  | 4 x 3 x 9½ x 2½  | 0072680  | 33307    | 0043727                      | 0000166           | 0000397                     | 0072695                                 | 33313    | 0077887                    | 0073535         |
|                  | 4 x 4 x 9½ x 2½  | 0072681  | 33309    | 0043727                      | 0000166           | 0000397                     | 0072695                                 | 33313    | 0077887                    | 0073535         |
|                  | 4 x 3 x 12 x 2½  | 0072685  | 33391    | 0043727                      | 0000166           | 0000397                     | 0072699                                 | 33384    | 0077887                    | 0073535         |
|                  | 4 x 4 x 12 x 2½  | 0072686  | 33392    | 0043727                      | 0000166           | 0000397                     | 0072699                                 | 33384    | 0077887                    | 0073535         |
|                  | 4 x 4 x 7¼ x 3   | 0085678  | 34123    | 0043723                      | 0035052           | 0000432                     | 0072692                                 | 26833    | 0077887                    | 0073535         |
|                  | 4 x 4 x 7¼ x 3 † | 0072676  | 33377    | 0043723                      | 0035052           | 0000432                     | 0072692                                 | 26833    | 0077887                    | 0073535         |
|                  | 4 x 4 x 9½ x 3   | 0085679  | 34419    | 0043727                      | 0035052           | 0000432                     | 0072696                                 | 33332    | 0077891                    | 0075274         |
|                  | 4 x 4 x 9½ x 3 † | 0072682  | 33306    | 0043727                      | 0035052           | 0000432                     | 0072696                                 | 33332    | 0077891                    | 0075274         |
|                  | 4 x 4 x 12 x 3   | 0085680  | 41564    | 0043723                      | 0035052           | 0000432                     | 0072700                                 | 33385    | 0077891                    | 0075274         |
|                  | 4 x 4 x 12 x 3 † | 0072687  | 33393    | 0043723                      | 0035052           | 0000432                     | 0072700                                 | 33385    | 0077891                    | 0075274         |
|                  | 6 x 4 x 12 x 3   | 0085680  | 41564    | 0043723                      | 0035052           | 0000432                     | 0072701                                 | 33388    | 0077876                    | 0053377         |
|                  | 6 x 4 x 12 x 3 † | 0072687  | 33393    | 0043723                      | 0035052           | 0000432                     | 0072701                                 | 33388    | 0077876                    | 0053377         |
|                  | 6 x 6 x 12 x 3   | 0072688  | 33395    | 0043987                      | 0040030           | 0000452                     | 0072701                                 | 33388    | 0077876                    | 0053377         |
| 8 x 6 x 12 x 3   | 0072688          | 33395  | 0043987  | 0040030                      | 0000452           | 0072702                     | 33458                                   | 0077876  | 0053377                    |                 |

† Earlier casing design - interchangeable with later design but requires modification of discharge piping.

| Parts for Casing (1) and Suction Cover (9) |  |             |             |             |          |             |          |
|--|--|-------------|-------------|-------------|----------|-------------|----------|
| Item No.                                   | Impeller Dia.                                      | 7¼"         |             | 9½"         |          | 12"         |          |
|  | Figure No.   | 7171 - 7181 | 7171 - 7181 | 7172 - 7182 |          | 7172 - 7182 |          |
|  | Motor Frame - Type JM                              | 143-184     | 143-184     | 213-256     | 284-326  | 213-256     | 284-326  |
|  | Description  | Part No.    | Part No.    | Part No.    | Part No. | Part No.    | Part No. |
| 73   | Casing Gasket - Vellumoid                          | 0043945     | 0043904     | 0043904     | 0043904  | 0043981     | 0043981  |
| 212  | Cap Screws - Steel (For Item 1 to 71 - 8 Req'd)    | 0000404     | 0000434     | 0000434     | 0000434  | 0000437     | 0000437  |
|  | Except 2 x 2 x 9½ x 1½                             | -           | 0000432     | 0000432     | -        | -           | -        |
| 215  | Cap Screws - Steel (For Item 1 to 9 - 8 Req'd)     | 0006415     | 0000432     | 0000432     | 0000432  | 0055242     | 0055242  |
|  | Except 2 x 2 x 9½ x 1½                             | -           | 0006415     | 0006415     | -        | -           | -        |
| 216  | Pipe Plug - Cad Plated - ¼" (For Item 1 - 3 Req'd) | 0002009     | 0002009     | 0002009     | 0002009  | 0003433     | 0003433  |
| 240  | Pipe Plug - Cad Plated - ¼" (For Item 9 - 1 Req'd) | 0002009     | 0002009     | 0002009     | 0002009  | 0002009     | 0002009  |
| * 283                                      | Casing Gasket Set - Vellumoid                      | 0085681     | 0085682     | 0085682     | 0085682  | 0085683     | 0085683  |

Machine Screws 316 SS for Suction Cover Wearing Rings.  
 For use with Wearing Ring 0077876 or 0053377 specify 8 P/N 0079175 - Wearing Ring 0077887 or 0073535 specify 4 P/N 0079174.  
 Wearing Ring 0077891 or 0075274 specify 6 P/N 0079174 - Wearing Ring 0077893 or 0076806 specify 4 P/N 0079176.  
 \* Recommended Spare Parts  
 NOTE: Pump Serial Number must be supplied when ordering repair parts.

## Repair Parts

| Liquid End Parts  |           |                    |                 |          |                    |                 |          |                    |                 |
|---|-----------|--------------------|-----------------|----------|--------------------|-----------------|----------|--------------------|-----------------|
| Item 2 - Impeller - 7/8" Bore - For Type JM - Frame 143 - 184 Motor   |           |                    |                 |          |                    |                 |          |                    |                 |
| Pump Size   | Pump Code | Right Hand         |                 |          | Left Hand          |                 |          | Impeller Wear Ring |                 |
|   |           | Cast Iron Part No. | Bronze Part No. | Dwg. No. | Cast Iron Part No. | Bronze Part No. | Dwg. No. | Cast Iron Part No. | Bronze Part No. |
| 2 x 2 x 7/4 x 1 1/2   | 2036      | 0044899            | 0044901         | 27000    | 0044903            | 0044905         | 27001    | 0085721            | 0058615         |
| 2 x 2 x 9/2 x 1 1/2   | 2056      | 0044907            | 0044909         | 27002    | 0044911            | 0044913         | 27003    | 0085721            | 0058615         |
| 4 x 3 x 9/2 x 2   | 3155      | 0074235            | 0074236         | 34000    | 0074237            | 0074238         | 34001    | 0085728            | 0085726         |
| 4 x 4 x 9/2 x 2   | 4054      | 0074235            | 0074236         | 34000    | 0074237            | 0074238         | 34001    | 0085728            | 0085726         |
| 4 x 3 x 7/4 x 2 1/2   | 3136      | 0044602            | 0044604         | 26834    | 0044607            | 0044609         | 26835    | 0085728            | 0085726         |
| 4 x 4 x 7/4 x 2 1/2   | 4035      | 0044602            | 0044604         | 26834    | 0044607            | 0044609         | 26835    | 0085728            | 0085726         |
| 4 x 3 x 7/4 x 2 1/2   | 3139      | 0044767            | 0044769         | 26900    | 0044771            | 0044773         | 26901    | 0085728            | 0085726         |
| 4 x 4 x 7/4 x 2 1/2   | 4038      | 0044767            | 0044769         | 26900    | 0044771            | 0044773         | 26901    | 0085728            | 0085726         |
| 4 x 3 x 9/2 x 2 1/2   | 3156      | 0074231            | 0074232         | 33998    | 0074233            | 0074234         | 33999    | 0085728            | 0085726         |
| 4 x 4 x 9/2 x 2 1/2   | 4055      | 0074231            | 0074232         | 33998    | 0074233            | 0074234         | 33999    | 0085728            | 0085726         |
| 4 x 4 x 7/4 x 3   | 4036      | 0044611            | 0044613         | 26836    | 0044615            | 0044617         | 26837    | 0085728            | 0085726         |
| 4 x 4 x 9/2 x 3   | 4056      | 0073129            | 0073128         | 33933    | 0073127            | 0073126         | 33934    | 0085724            | 0085722         |
| Item 2 - Impeller - 1 1/4" Bore - For Type JM - Frame 213 - 326 Motor |           |                    |                 |          |                    |                 |          |                    |                 |
| 2 x 2 x 9/2 x 1 1/2   | 2056      | 0084860            | 0084861         | 34407    | 0084864            | 0084865         | 34408    | 0085721            | 0058615         |
| 4 x 3 x 9/2 x 2   | 3155      | 0045074            | 0045076         | 33330    | 0045078            | 0045080         | 33331    | 0085728            | 0085726         |
| 4 x 4 x 9/2 x 2   | 4054      | 0045074            | 0045076         | 33330    | 0045078            | 0045080         | 33331    | 0085728            | 0085726         |
| 4 x 3 x 12 x 2  | 3165      | 0044747            | 0044748         | 26888    | 0044749            | 0044750         | 26889    | 0085728            | 0085726         |
| 4 x 4 x 12 x 2  | 4064      | 0044747            | 0044748         | 26888    | 0044749            | 0044750         | 26889    | 0085728            | 0085726         |
| 4 x 3 x 7/4 x 2 1/2   | 3136      | 0075094            | 0075093         | 27697    | 0075096            | 0075095         | 27698    | 0085728            | 0085726         |
| 4 x 4 x 7/4 x 2 1/2   | 4035      | 0075094            | 0075093         | 27697    | 0075096            | 0075095         | 27698    | 0085728            | 0085726         |
| 4 x 3 x 7/4 x 2 1/2   | 3139      | 0075102            | 0075101         | 27701    | 0075104            | 0075103         | 27702    | 0085728            | 0085726         |
| 4 x 4 x 7/4 x 2 1/2   | 4038      | 0075102            | 0075101         | 27701    | 0075104            | 0075103         | 27702    | 0085728            | 0085726         |
| 4 x 3 x 9/2 x 2 1/2   | 3156      | 0045046            | 0045048         | 33314    | 0045050            | 0045052         | 33315    | 0085728            | 0085726         |
| 4 x 4 x 9/2 x 2 1/2   | 4055      | 0045046            | 0045048         | 33314    | 0045050            | 0045052         | 33315    | 0085728            | 0085726         |
| 4 x 3 x 12 x 2 1/2  | 3166      | 0044751            | 0044752         | 26890    | 0044753            | 0044754         | 26891    | 0085728            | 0085726         |
| 4 x 4 x 12 x 2 1/2  | 4065      | 0044751            | 0044752         | 26890    | 0044753            | 0044754         | 26891    | 0085728            | 0085726         |
| 4 x 4 x 7/4 x 3   | 4036      | 0075098            | 0075097         | 27699    | 0075100            | 0075099         | 27700    | 0085728            | 0085726         |
| 4 x 4 x 9/2 x 3   | 4056      | 0045006            | 0045008         | 33304    | 0045010            | 0045012         | 33305    | 0085724            | 0085722         |
| 4 x 4 x 12 x 3  | 4066      | 0044755            | 0044756         | 26892    | 0044757            | 0044758         | 26893    | 0085724            | 0085722         |
| 6 x 4 x 12 x 3  | 4266      | 0044759            | 0044760         | 26894    | 0044761            | 0044762         | 26895    | 0085731            | 0085729         |
| 6 x 6 x 12 x 3  | 6065      | 0092575            | 0092574         | 34725    | 0092585            | 0092584         | 34728    | 0085731            | 0085729         |
| 6 x 6 x 12 x 3  | 6065      | 0044759            | 0044760         | 26894    | 0044761            | 0044762         | 26895    | 0085731            | 0085729         |
| 8 x 6 x 12 x 3  | 6165      | 0092575            | 0092574         | 34725    | 0092585            | 0092584         | 34728    | 0085731            | 0085729         |
| 8 x 6 x 12 x 3  | 6165      | 0044759            | 0044760         | 26894    | 0044761            | 0044762         | 26895    | 0085731            | 0085729         |

† New 3 blade impeller superseded previous 2 blade impeller in April 1980.  
NOTE: Pump Serial Number must be supplied when ordering repair parts.

### Repair Parts

| Adapter (71) - Mechanical Seal (89) and Shaft Parts |  |                     |                     |                           |                     |                     |                     |
|---|--|---------------------|---------------------|---------------------------|---------------------|---------------------|---------------------|
| Item No.  | Impeller<br>Figure No.<br>Motor Frame - Type JM<br>Description | 7 1/4"              |                     | 9 1/2"                    |                     | 12"                 |                     |
|   |  | 7171 - 7181         |                     | 7171 - 7172 - 7181 - 7182 |                     | 7171 - 7182         |                     |
|   |  | 143-184<br>Part No. | 143-184<br>Part No. | 213-256<br>Part No.       | 284-326<br>Part No. | 213-256<br>Part No. | 284-326<br>Part No. |
| 14  | Shaft Sleeve - 416 SS  | 0074437             | 0074437             | 0074431                   | 0074431             | 0074431             | 0074431             |
|   | Shaft Sleeve - 316 SS  | 0074435             | 0074435             | 0074429                   | 0074429             | 0074429             | 0074429             |
|   | Shaft Sleeve - 440C  | 0074433             | 0074433             | 0074427                   | 0074427             | 0074427             | 0074427             |
| * 26  | Impeller Screw - 316 SS  | 0053313             | 0053313             | 0053315                   | 0053315             | 0053315             | 0053315             |
| 30  | Impeller Washer Gasket - 316 SS                                | 0081097             | 0081097             | 0081097                   | 0068347             | 0068347             | 0068347             |
| 32  | Impeller Key - Steel   | 0072872             | 0072872             | 0072873                   | 0072873             | 0072873             | 0072873             |
| 38  | Shaft Sleeve Gasket - Rulon                                    | 0068369             | 0068369             | 0068369                   | 0068363             | 0068367             | 0068367             |
| 40  | Deflector (Not Shown)  | 0000707             | 0000707             | 0000712                   | 0000712             | 0000712             | 0000712             |
| 71  | Adapter - Seal Head - Cast Iron                                | 0074439             | 0074451             | 0074447                   | 0074455             | 0074459             | 0074463             |
| * 89  | Double Seal - Type 21  | 0030898             | 0030898             | 0030904                   | 0030904             | 0030904             | 0030904             |
|   | Double Seal - Type CRO   | 0006917             | 0006917             | 0013856                   | 0013856             | 0013856             | 0013856             |
| 208   | Pipe Plug - Cad Plated - 1/4" (For Item 71)                    | 0002009             | 0002009             | 002009                    | 0002009             | 0002009             | 0002009             |
| 219   | Cap Screw - Steel (For Item 71 - 4 Req'd)                      | 0000397             | 0000397             | 0000432                   | 0000451             | 0000432             | 0000451             |
| 230   | Seal Retainer - Cast Iron                                      | 0074489             | 0074489             | 0074483                   | 0074483             | 0074483             | 0074483             |
| 233   | Gasket - Vellumoid (For Item 230)                              | 0077001             | 0077001             | 0077002                   | 0077002             | 0077002             | 0077002             |
| 245   | Machine Screw - Steel (For Item 230 - 4 Req'd)                 | 0079389             | 0079389             | 0079389                   | 0079389             | 0079389             | 0079389             |
| * 270   | Impeller Washer - 316 SS                                       | 0074681             | 0074681             | 0074732                   | 0074732             | 0074732             | 0074732             |
| 271   | Pipe Nipple (2 Req'd)  | 0000927             | 0000927             | 0000928                   | 0000932             | 0000932             | 0024296             |
| 272   | Impeller Bolt O-Ring - Teflon                                  | 0068366             | 0068366             | 0068366                   | 0068365             | 0068365             | 0068365             |

\* Recommended Spare Parts

NOTE: Pump Serial Number must be supplied when ordering repair parts.

| Base and Suction Elbow Parts - Figure 7181 - 7182 |  |            |          |            |          |            |          |            |          |
|---|--|------------|----------|------------|----------|------------|----------|------------|----------|
| Item No.  | Description                                    | 2" Suction |          | 4" Suction |          | 6" Suction |          | 8" Suction |          |
|   |  | Part No.   | Dwg. No. | Part No.   | Dwg. No. | Part No.   | Dwg. No. | Part No.   | Dwg. No. |
| 53  | Base - Cast Iron                               | 0045450    | 41236    | 0045860    | 41214    | 0045461    | 41242    | 0045562    | 41278    |
| 57  | Suction Elbow - St'd Cast Iron                 | 0045120    | 33355    | 0045058    | 33320    | 0045128    | 33357    | 0045329    | 33457    |
|   | Suction Elbow - Long Inlet - 4 x 4 C.I.        | -          | -        | 0071821    | 33879    | -          | -        | -          | -        |
|   | Suction Elbow - Long Inlet - 6 x 4 C.I.        | -          | -        | 0071817    | 33880    | -          | -        | -          | -        |
| * 220   | "O" Ring - Buna N (For Item 223)               | 0000163    | -        | 0035052    | -        | 0040030    | -        | 0040844    | -        |
| 221   | Cap Screw - Steel (For Item 53)<br>(4 Req'd)   | Q15-13-E26 | Q15-13   | Q15-13-E26 | Q15-13   | Q15-13-E26 | Q15-13   | Q15-13-E26 | Q15-13   |
| 223   | Hand Hole Cover - C.I. St'd -<br>(For Item 57) | 0043719    | 117-910  | 0043723    | 117-911  | 0043987    | 118-081  | 0044232    | 118-194  |
| 224   | Cap Screw - Steel (For Item 223)<br>(2 Req'd)  | 0000397    | -        | 0000397    | -        | 0000452    | -        | 0000470    | -        |
| 226   | Cap Screw - Steel - (For Item 57)<br>(4 Req'd) | 0000451    | -        | 0000453    | -        | 0000470    | -        | 0000472    | -        |
| * 227   | Gasket - Rubber - (For Item 57)                | 0007272    | 113-646  | 0007201    | 113-646  | 0007203    | 113-646  | 0007274    | 113-646  |
| 229   | Washer (For Item 221 - 4 Req'd)                | 0000277    | -        | 0003351    | -        | 0000283    | -        | 0000283    | -        |
| 231   | Pipe Plug - Cad Plt. - 1/4"<br>(For Item 57)   | -          | -        | 0002009    | -        | 0002009    | -        | 0002009    | -        |

\* Recommended Spare Parts