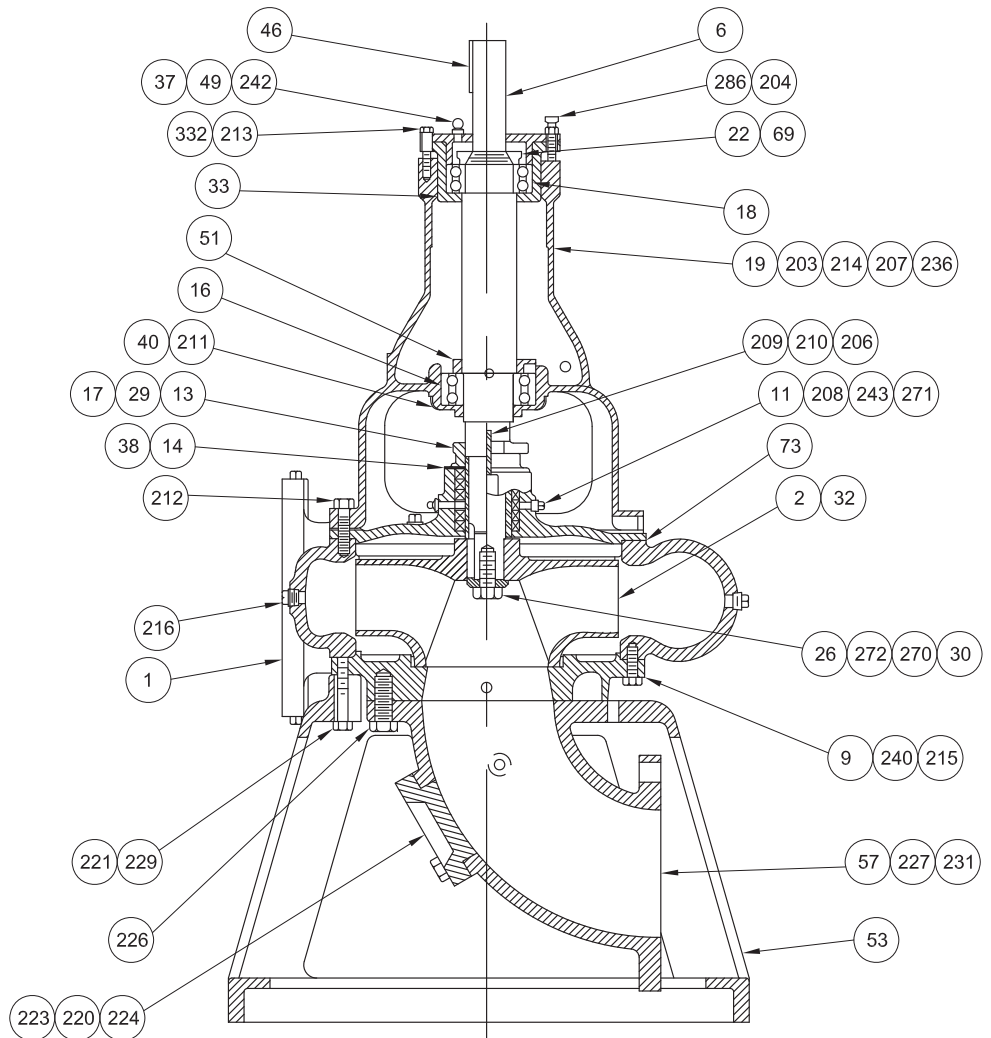


Fig. 7153, 7155, 7156, 7156H

Item No.	Name of Part
1	Casing
2	Impeller
6	Pump Shaft
9	Suction Cover
11	Packing Box Cover
* 13	Packing
* 14	Shaft Sleeve
* 16	Ball Bearing (Inboard)
17	Split Gland
* 18	Ball Bearing (Outboard)
19	Frame
22	Bearing Locknut
* 26	Impeller Screw - Self Locking
* 29	Lantern Ring
* 30	Impeller Washer Gasket
32	Impeller Key
33	Bearing Housing (Outboard)
37	Bearing Cover (Outboard)
* 38	Shaft Sleeve Gasket
40	Deflector
46	Coupling Key
49	Lip Seal (Outboard)
51	Grease Retainer
53	Base
57	Suction Elbow
59	Handhole Cover
69	Bearing Lockwasher
* 73	Casing Gasket
203	Nameplate
204	Adjusting Locknut
206	Split Gland Clip
207	Grease Fitting
208	Pipe Plug
209	Machine Bolt
210	Hex Nut
211	Set Screw
212	Cap Screw
213	Cap Screw
214	Drive Screw - Nameplate
215	Cap Screw
216	Pipe Plug
* 217	Handhole "O" Ring
218	Cap Screw
* 220	"O" Ring
221	Cap Screw
223	Handhole Cover
224	Cap Screw
226	Cap Screw
* 227	Suction Elbow Gasket
229	Washer
231	Pipe Plug
236	Pipe Plug
240	Pipe Plug
242	Grease Fitting
243	Grease Fitting
270	Impeller Washer
271	Pipe Plug
* 272	Impeller Screw "O" Ring
286	Cap Screw
332	Cap Screw



WARNING:
 CANCER AND REPRODUCTIVE HARM -
 WWW.P65WARNINGS.CA.GOV

* Recommended spare parts

Parts for Fig. 7100

Industrial Section 45
Bulletin 95

DEMING®

www.cranepumps.com

Repair Parts

Fig. 7157

59 217 218
ITEMS FOR CASING
HANDHOLE COVER
NOT SHOWN

WARNING:
CANCER AND REPRODUCTIVE HARM -
WWW.P65WARNINGS.CA.GOV

Item No.	Name of Part	Item No.	Name of Part	Item No.	Name of Part
1	Casing	46	Coupling Key	* 217	"O" Ring
2	Impeller	* 47	Lip Seal (Inboard)	218	Cap Screw
6	Pump Shaft	* 49	Lip Seal (Outboard)	219	Cap Screw
9	Suction Cover	53	Base	* 220	"O" Ring
* 11	Packing Box Cover	57	Suction Elbow	221	Cap Screw
* 13	Packing	59	Handhole Cover	223	Handhole Cover
* 14	Shaft Sleeve	69	Bearing Lockwasher	224	Cap Screw
* 16	Ball Bearing (Inboard)	* 73	Casing Gasket	226	Cap Screw
17	Split Gland	201	Cap Screw	* 227	Suction Elbow Gasket
* 18	Ball Bearing (Outboard)	203	Nameplate	229	Washer
19	Frame	204	Adjusting Locknut	230	Hex Nut
22	Bearing Locknut	206	Split Gland Clip	231	Pipe Plug
* 26	Impeller Screw - Self Locking	207	Grease Fitting	240	Pipe Plug
29	Lantern Ring	208	Pipe Plug	242	Grease Fitting
* 30	Impeller Washer Gasket	209	Machine Bolt	243	Grease Fitting
32	Impeller Key	210	Hex Nut	264	Pipe Plug
33	Bearing Housing (Outboard)	212	Cap Screw	270	Impeller Washer
35	Bearing Cover (Inboard)	213	Cap Screw	* 272	Impeller Screw "O" Ring
37	Bearing Cover (Outboard)	214	Drive Screw - Nameplate	279	Shaft Sleeve Key
* 38	Shaft Sleeve Gasket	215	Cap Screw	286	Cap Screw
40	Deflector	216	Pipe Plug	332	Cap Screw

* Recommended spare parts

SECTION 95
PAGE 238
DATE 10/18

CRANE
®

A Crane Co. Company

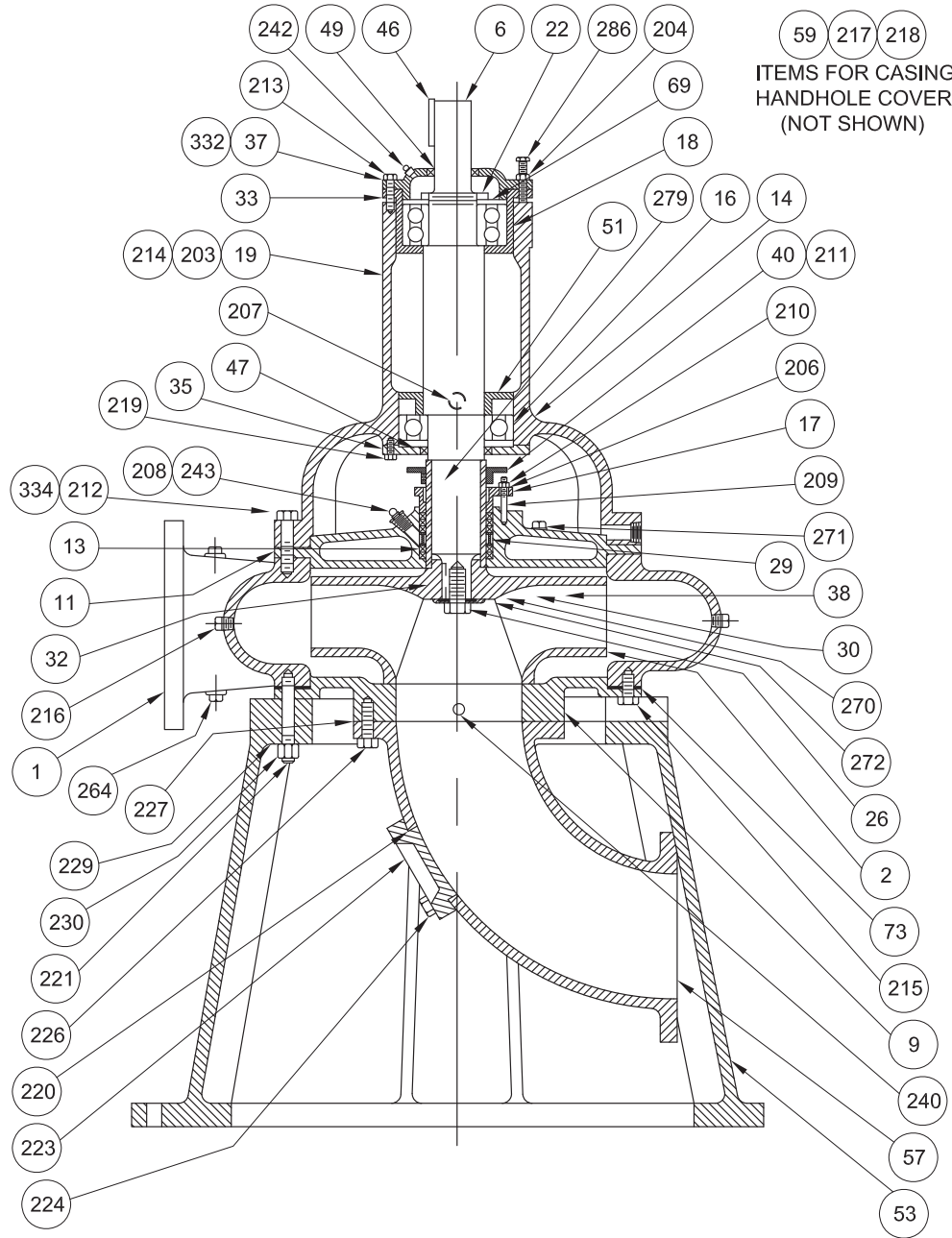
PUMPS & SYSTEMS

USA: (937) 778-8947 • Canada: (905) 457-6223 • International: (937) 615-3598

Repair Parts

Fig. 7158, 7159

Item No.	Name of Part
1	Casing
2	Impeller
6	Pump Shaft
9	Suction Cover
11	Packing Box Cover
* 13	Packing
* 14	Shaft Sleeve
* 16	Ball Bearing (Inboard)
17	Split Gland
* 18	Ball Bearing (Outboard)
19	Frame
22	Bearing Locknut
* 26	Impeller Screw - Self Locking
29	Lantern Ring
* 30	Impeller Washer Gasket
* 32	Impeller Key
33	Bearing Housing (Outboard)
35	Bearing Cover (Inboard)
37	Bearing Cover (Outboard)
* 38	Shaft Sleeve Gasket
40	Deflector
46	Coupling Key
47	Lip Seal (Inboard)
49	Lip Seal (Outboard)
51	Grease Retainer
53	Base
57	Suction Elbow
59	Handhole Cover
69	Bearing Lockwasher
* 73	Casing Gasket
203	Nameplate
204	Adjusting Locknut
206	Split Gland Clip
207	Grease Fitting
208	Pipe Plug
209	Machine Bolt
210	Hex Nut
211	Set Screw
212	Cap Screw
213	Cap Screw
214	Drive Screw - Nameplate
215	Cap Screw
216	Pipe Plug
* 217	"O" Ring
218	Cap Screw
219	Cap Screw
* 220	"O" Ring
221	Cap Screw
223	Handhole Cover
224	Cap Screw
226	Cap Screw
227	Cap Screw
* 227	Suction Elbow Gasket
229	Washer
230	Hex Nut
240	Pipe Plug
242	Grease Fitting
243	Grease Fitting
264	Pipe Plug
270	Impeller Washer
271	Pipe Plug
* 272	Impeller Screw "O" Ring
279	Shaft Sleeve Key
286	Screw
332	Cap Screw
334	Cap Screw



59 217 218
ITEMS FOR CASING
HANDHOLE COVER
(NOT SHOWN)



WARNING:
CANCER AND REPRODUCTIVE HARM -
WWW.P65WARNINGS.CA.GOV

* Recommended spare parts

Parts for Fig. 7100

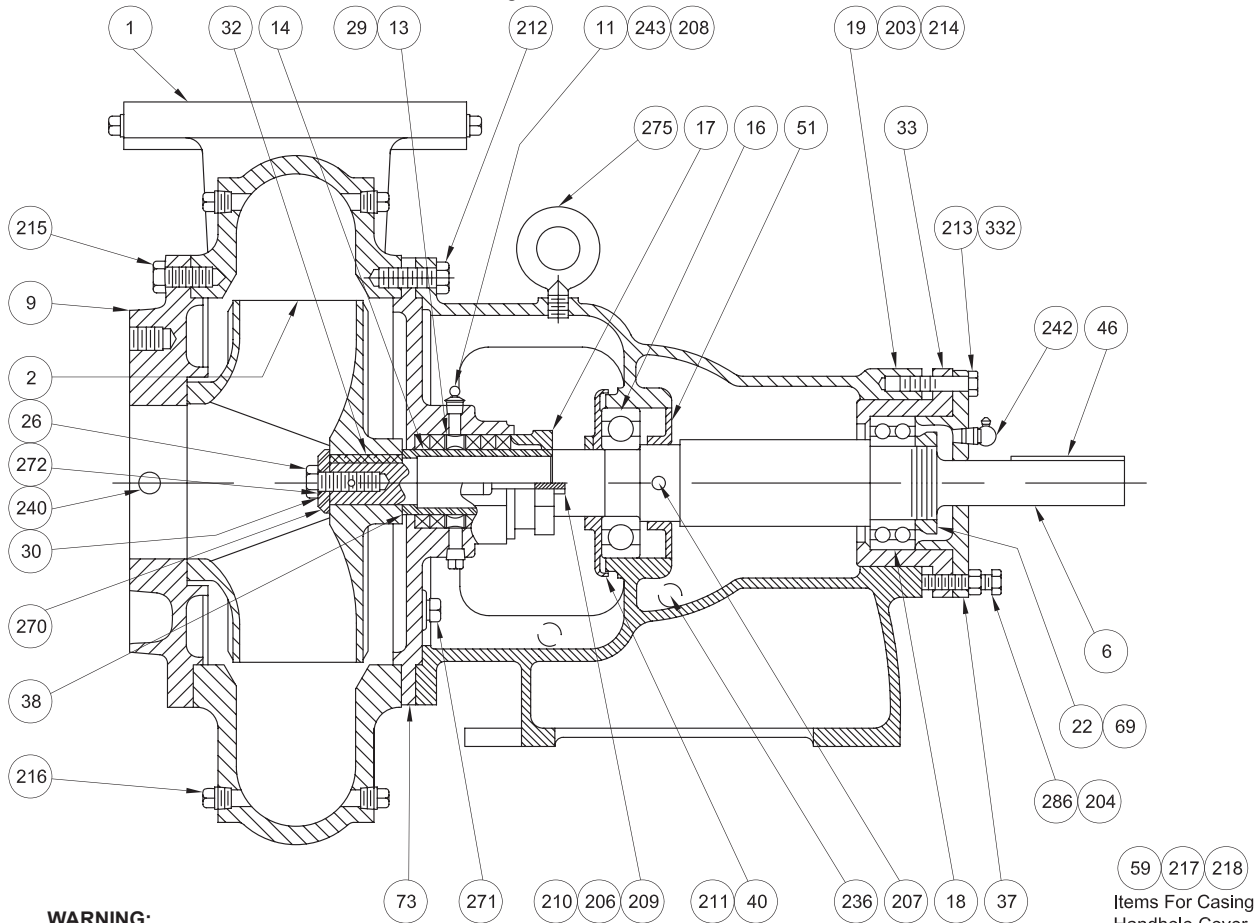
Industrial Section 45
Bulletin 95

DEMING®

www.cranepumps.com

Repair Parts

Fig. 7163, 7165, 7166, 7166H



59 217 218
Items For Casing
Handhole Cover
(Not Shown)



WARNING:
CANCER AND REPRODUCTIVE HARM -
WWW.P65WARNINGS.CA.GOV

Item No.	Name of Part	Item No.	Name of Part	Item No.	Name of Part
1	Casing	37	Bearing Cover (Outboard)	213	Cap Screw
2	Impeller	* 38	Shaft Sleeve Gasket	214	Drive Screw - Nameplate
6	Pump Shaft	40	Deflector	215	Cap Screw
9	Suction Cover	46	Coupling Key	216	Pipe Plug
11	Packing Box Cover	51	Grease Retainer	* 217	Handhole "O" Ring
* 13	Packing	59	Handhole Cover	218	Cap Screw
* 14	Shaft Sleeve	69	Bearing Lockwasher	236	Pipe Plug
* 16	Ball Bearing (Inboard)	* 73	Casing Gasket	240	Pipe Plug
17	Split Gland	203	Nameplate	242	Grease Fitting
* 18	Ball Bearing (Outboard)	204	Adjusting Locknut	243	Grease Fitting
19	Frame	206	Split Gland Clip	270	Impeller Washer
22	Bearing Locknut	207	Grease Fitting	271	Pipe Plug
* 26	Impeller Screw - Self Locking	208	Pipe Plug	* 272	Impeller Screw "O" Ring
* 29	Lantern Ring	209	Machine Bolt	275	Eye Bolt
* 30	Impeller Washer Gasket	210	Hex Nut	286	Cap Screw
* 32	Impeller Key	211	Set Screw	332	Cap Screw
33	Bearing Housing (Outboard)	212	Cap Screw		

* Recommended spare parts

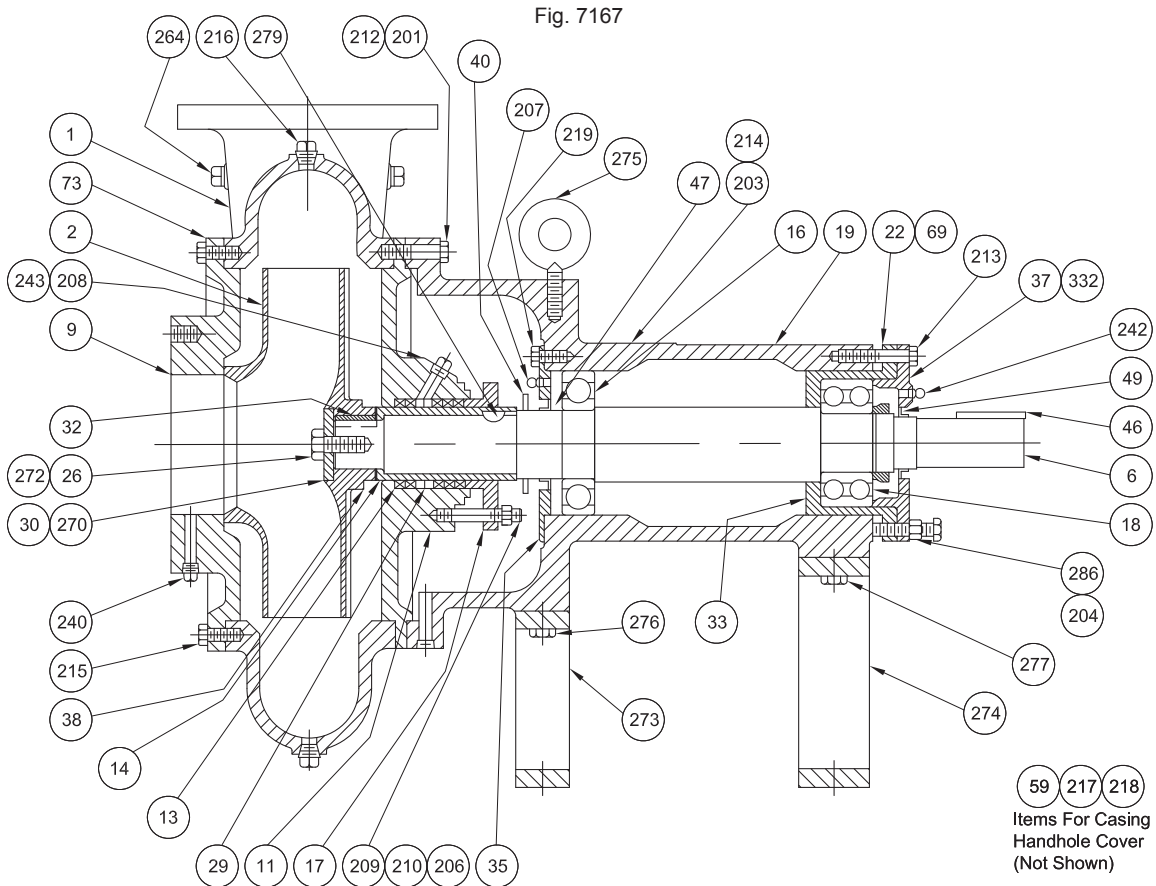
SECTION 95
PAGE 240
DATE 10/18

CRANE

A Crane Co. Company

PUMPS & SYSTEMS

USA: (937) 778-8947 • Canada: (905) 457-6223 • International: (937) 615-3598



WARNING:

CANCER AND REPRODUCTIVE HARM -
WWW.P65WARNINGS.CA.GOV

Item No.	Name of Part	Item No.	Name of Part	Item No.	Name of Part
1	Casing	* 38	Shaft Sleeve Gasket	215	Cap Screw
2	Impeller	40	Deflector	216	Pipe Plug
6	Pump Shaft	46	Coupling Key	* 217	Handhole "O" Ring
9	Suction Cover	47	Lip Seal (Inboard)	218	Cap Screw
11	Packing Box Cover	49	Lip Seal (Outboard)	219	Cap Screw
* 13	Packing	59	Handhole Cover	240	Pipe Plug
* 14	Shaft Sleeve	69	Bearing Lockwasher	242	Grease Fitting
* 16	Ball Bearing (Inboard)	* 73	Casing Gasket	243	Grease Fitting
17	Split Gland	201	Cap Screw	264	Pipe Plug
* 18	Ball Bearing (Outboard)	203	Nameplate	270	Impeller Washer
19	Frame	204	Adjusting Locknut	* 272	Impeller Screw "O" Ring
22	Bearing Locknut	206	Split Gland Clip	273	Frame Foot (Front)
* 26	Impeller Screw - Self Locking	207	Grease Fitting	274	Frame Foot (Rear)
* 29	Lantern Ring	208	Pipe Plug	275	Eye Bolt
* 30	Impeller Washer Gasket	209	Machine Bolt	276	Cap Screw
* 32	Impeller Key	210	Hex Nut	277	Cap Screw
33	Bearing Housing (Outboard)	212	Cap Screw	279	Woodruff Key
35	Bearing Cover (Inboard)	213	Cap Screw	286	Cap Screw
37	Bearing Cover (Outboard)	214	Drive Screw - Nameplate	332	Cap Screw

* Recommended spare parts

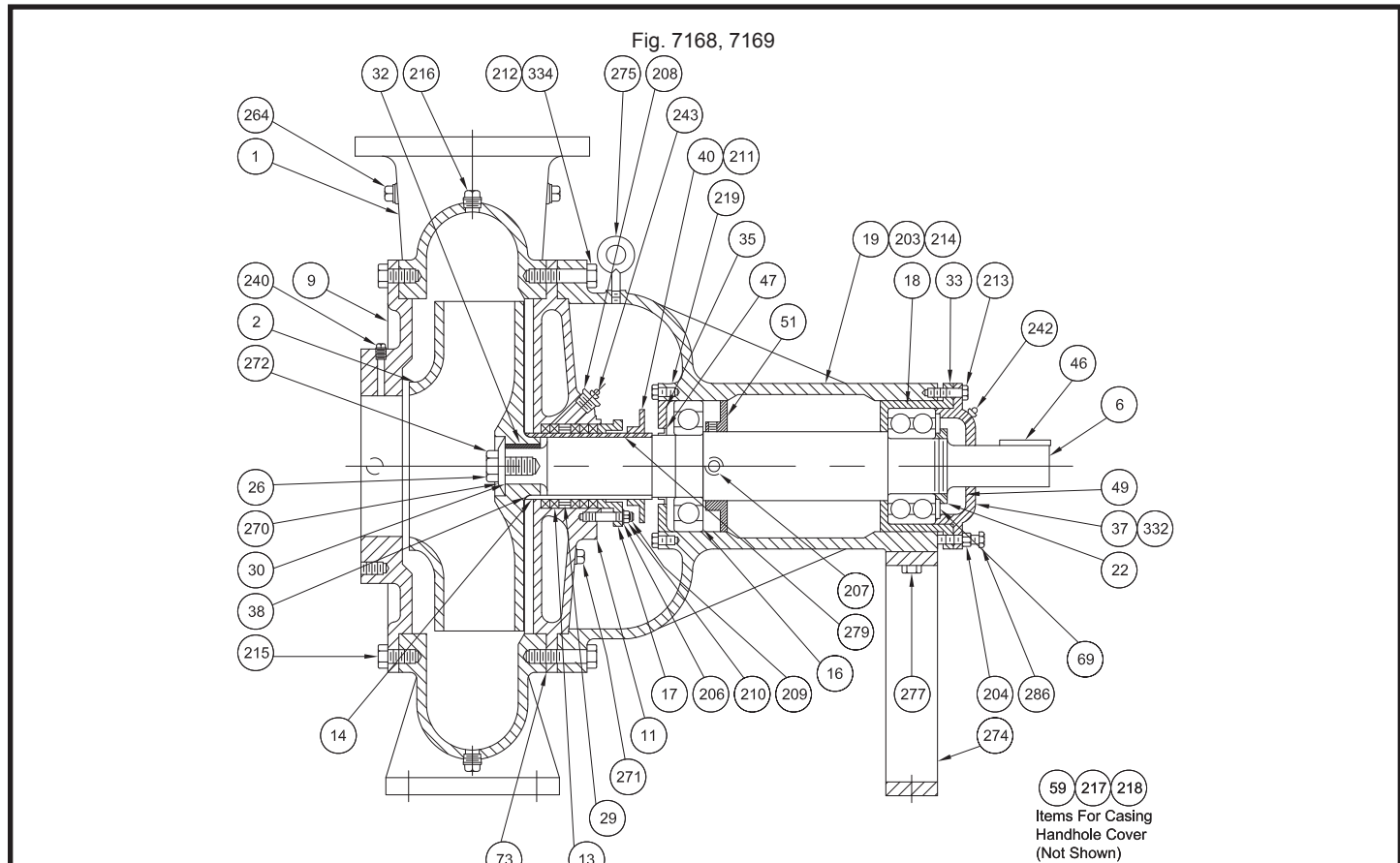
Parts for Fig. 7100

Industrial Section 45
Bulletin 95

DEMING®

www.cranepumps.com

Repair Parts



WARNING:

CANCER AND REPRODUCTIVE HARM -
WWW.P65WARNINGS.CA.GOV

Item No.	Name of Part	Item No.	Name of Part	Item No.	Name of Part
1	Casing	40	Deflector	215	Cap Screw
2	Impeller	46	Coupling Key	216	Pipe Plug
6	Pump Shaft	47	Lip Seal (Inboard)	* 217	Handhole "O" Ring
9	Suction Cover	49	Lip Seal (Outboard)	218	Cap Screw
11	Packing Box Cover	51	Grease Retainer	219	Cap Screw
* 13	Packing	59	Handhole Cover	240	Pipe Plug
* 14	Shaft Sleeve	69	Bearing Lockwasher	242	Grease Fitting
* 16	Ball Bearing (Inboard)	* 73	Casing Gasket	243	Grease Fitting
17	Split Gland	203	Nameplate	264	Pipe Plug
* 18	Ball Bearing (Outboard)	204	Adjusting Locknut	270	Impeller Washer
19	Frame	206	Split Gland Clip	271	Pipe Plug
22	Bearing Locknut	207	Grease Fitting	* 272	Impeller Screw "O" Ring
* 26	Impeller Screw - Self Locking	208	Pipe Plug	274	Frame Foot
* 29	Lantern Ring	209	Machine Bolt	275	Eye Bolt
* 30	Impeller Washer Gasket	210	Hex Nut	277	Cap Screw
* 32	Impeller Key	211	Set Screw	279	Shaft Sleeve Key
33	Bearing Housing (Outboard)	212	Cap Screw	286	Jack Screw
35	Bearing Cover (Inboard)	213	Cap Screw	332	Cap Screw
37	Bearing Cover (Outboard)	214	Drive Screw - Nameplate	334	Cap Screw
* 38	Shaft Sleeve Gasket				

* Recommended spare parts

SECTION 95
PAGE 242
DATE 10/18

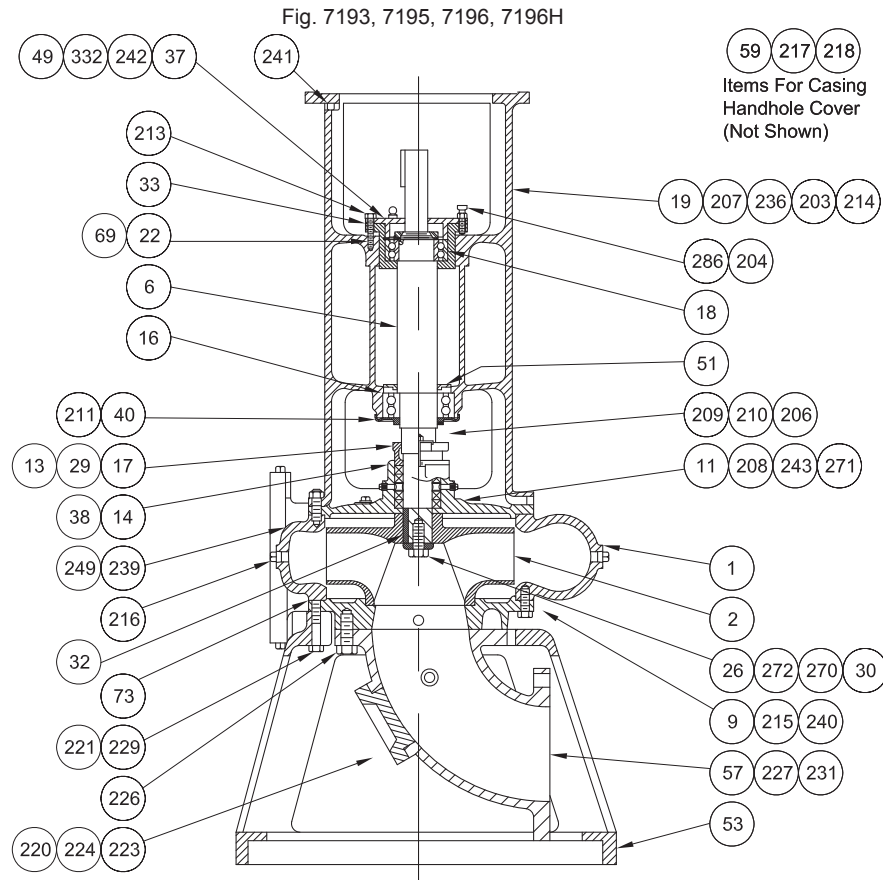


A Crane Co. Company

PUMPS & SYSTEMS

USA: (937) 778-8947 • Canada: (905) 457-6223 • International: (937) 615-3598

Repair Parts



WARNING:
 CANCER AND REPRODUCTIVE HARM -
 WWW.P65WARNINGS.CA.GOV

Item No.	Name of Part	Item No.	Name of Part	Item No.	Name of Part
1	Casing	49	Lip Seal (Outboard)	218	Cap Screw
2	Impeller	51	Grease Retainer	* 220	"O" Ring
6	Pump Shaft	53	Base	221	Cap Screw
9	Suction Cover	57	Suction Elbow	223	Handhole Cover
11	Packing Box Cover	59	Handhole Cover	224	Cap Screw
* 13	Packing	69	Bearing Lockwasher	226	Cap Screw
* 14	Shaft Sleeve	* 73	Casing Gasket	* 227	Suction Elbow Gasket
* 16	Ball Bearing (Inboard)	203	Nameplate	229	Washer
17	Split Gland	204	Adjusting Locknut	231	Pipe Plug
* 18	Ball Bearing (Outboard)	206	Split Gland Clip	236	Pipe Plug
19	Frame	207	Grease Fitting	239	Stud
22	Bearing Locknut	208	Pipe Plug	240	Pipe Plug
* 26	Impeller Screw - Self Locking	209	Machine Bolt	241	Cap Screw
* 29	Lantern Ring	210	Hex Nut	242	Grease Fitting
* 30	Impeller Washer Gasket	211	Set Screw	243	Grease Fitting
* 32	Impeller Key	213	Cap Screw	249	Hex Nut
33	Bearing Housing (Outboard)	214	Drive Screw - Nameplate	270	Impeller Washer
37	Bearing Cover (Outboard)	215	Cap Screw	271	Pipe Plug
* 38	Shaft Sleeve Gasket	216	Pipe Plug	* 272	Impeller Screw "O" Ring
40	Deflector	* 217	Handhole "O" Ring	286	Cap Screw
				332	Cap Screw

* Recommended spare parts

Parts for Fig. 7100

Industrial Section 45
Bulletin 95

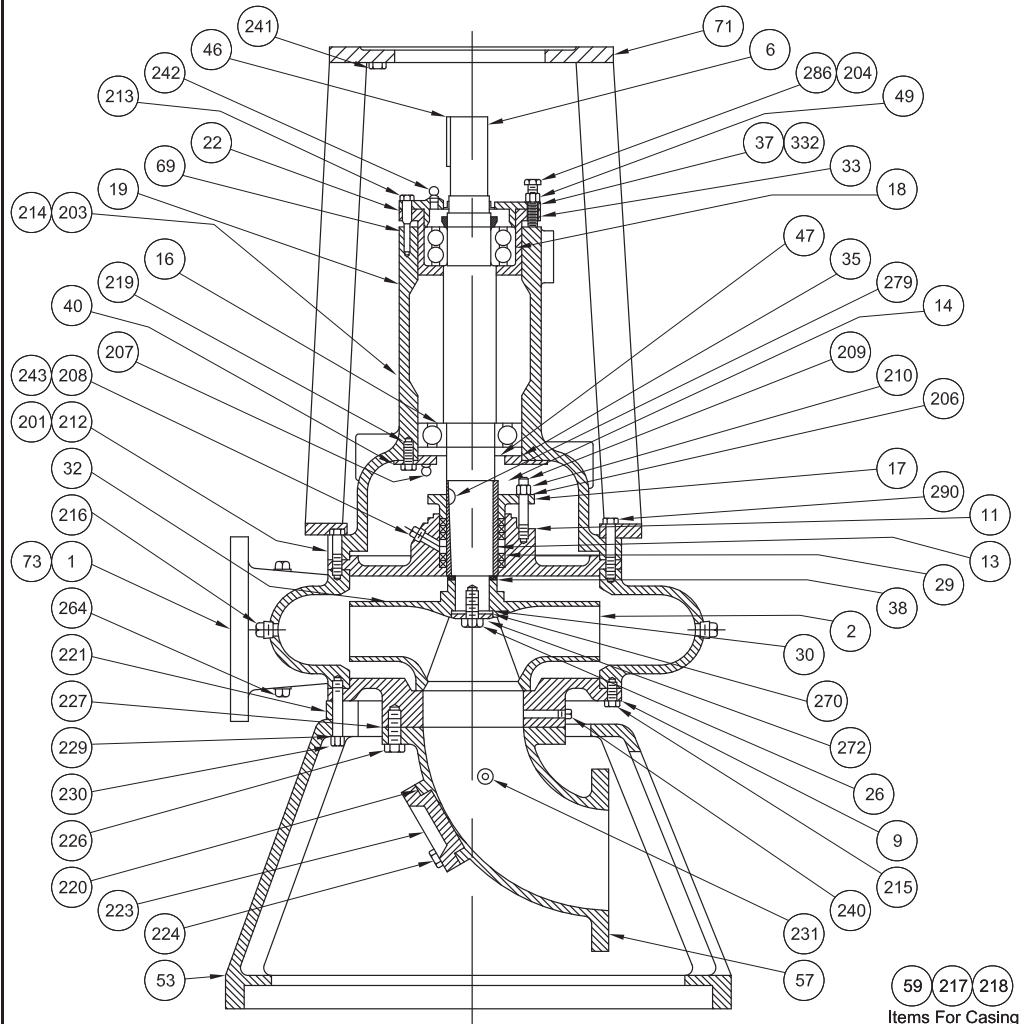
DEMING®

www.cranepumps.com

Repair Parts

Fig. 7197

Item No.	Name of Part
1	Casing
2	Impeller
6	Pump Shaft
9	Suction Cover
11	Packing Box Cover
* 13	Packing
* 14	Shaft Sleeve
* 16	Ball Bearing (Inboard)
17	Split Gland
* 18	Ball Bearing (Outboard)
19	Frame
22	Bearing Locknut
* 26	Impeller Screw - Self Locking
29	Lantern Ring
* 30	Impeller Washer Gasket
32	Impeller Key
33	Bearing Housing (Outboard)
35	Bearing Cover (Inboard)
37	Bearing Cover (Outboard)
* 38	Shaft Sleeve Gasket
40	Deflector
46	Coupling Key
* 47	Lip Seal (Inboard)
49	Lip Seal (Outboard)
53	Vertical Base
57	Suction Elbow
59	Handhole Cover
69	Bearing Lockwasher
71	Motor Adapter
* 73	Casing Gasket
201	Cap Screw
203	Nameplate
204	Adjusting Locknut
206	Split Gland Clip
207	Grease Fitting
208	Pipe Plug
209	Machine Bolt
210	Hex Nut
212	Set Screw
213	Cap Screw
214	Drive Screw - Nameplate
215	Cap Screw
216	Pipe Plug
* 217	Handhole "O" Ring
218	Cap Screw
219	Cap Screw
* 220	"O" Ring
221	Cap Screw
223	Handhole Cover
224	Cap Screw
226	Cap Screw
* 227	Suction Elbow Gasket
229	Washer
230	Nut
231	Pipe Plug
240	Pipe Plug
241	Cap Screw
242	Grease Fitting
243	Grease Fitting
264	Pipe Plug
270	Impeller Washer
* 272	Impeller Screw "O" Ring
279	Woodruff Key
286	Cap Screw
290	Cap Screw
332	Cap Screw



59 217 218
Items For Casing
Handhole Cover
(Not Shown)



WARNING:
CANCER AND REPRODUCTIVE HARM -
WWW.P65WARNINGS.CA.GOV

* Recommended spare parts

SECTION 95
PAGE 244
DATE 10/18

CRANE®

A Crane Co. Company

PUMPS & SYSTEMS

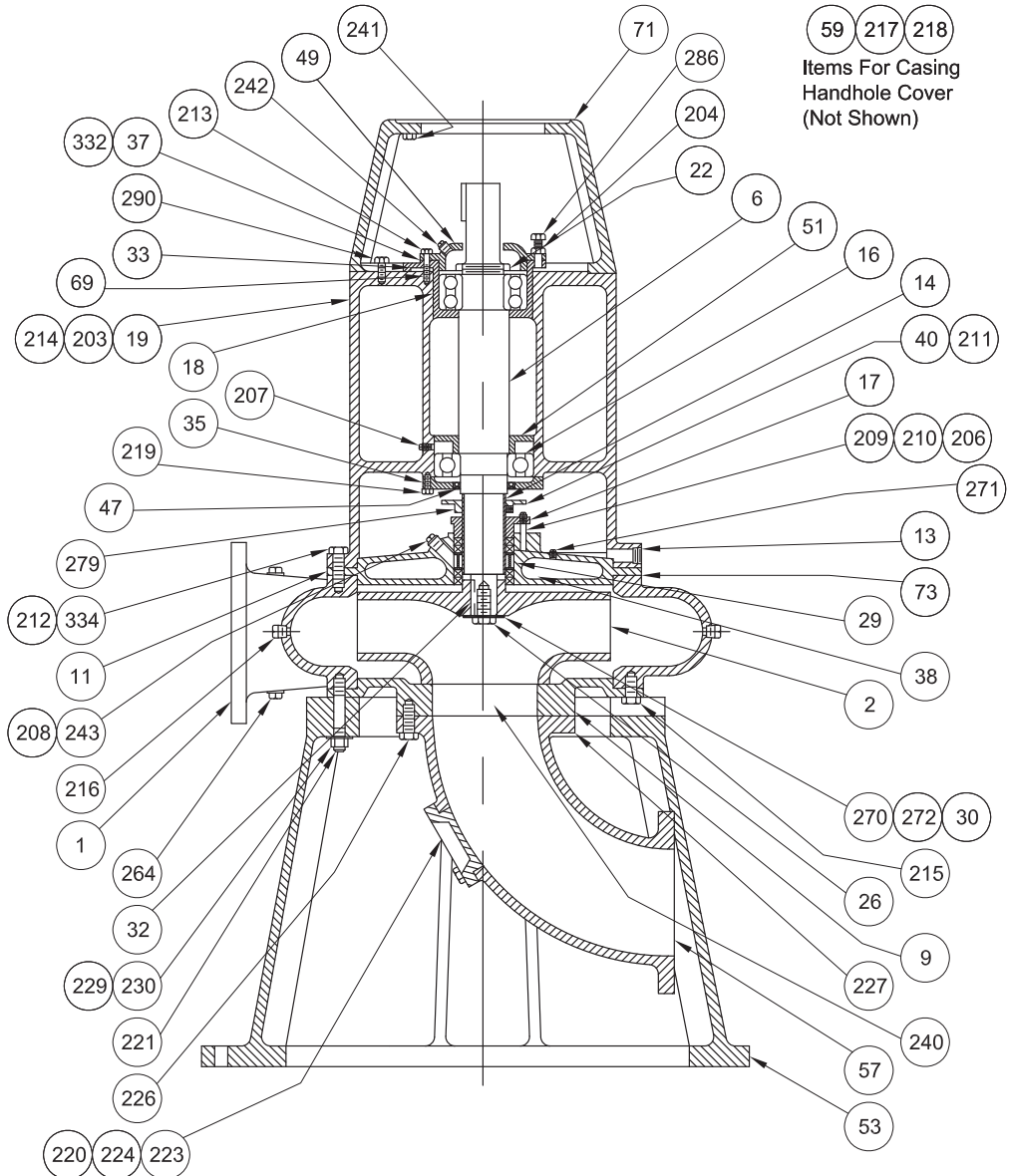
USA: (937) 778-8947 • Canada: (905) 457-6223 • International: (937) 615-3598

Repair Parts

Fig. 7198, 7199

Item No.	Name of Part
1	Casing
2	Impeller
6	Pump Shaft
9	Suction Cover
11	Packing Box Cover
* 13	Packing
* 14	Shaft Sleeve
* 16	Ball Bearing (Inboard)
17	Split Gland
* 18	Ball Bearing (Outboard)
19	Frame
22	Bearing Locknut
* 26	Impeller Screw - Self Locking
* 29	Lantern Ring
* 30	Impeller Washer Gasket
* 32	Impeller Key
33	Bearing Housing (Outboard)
35	Bearing Cover (Inboard)
37	Bearing Cover (Outboard)
* 38	Shaft Sleeve Gasket
40	Deflector
47	Lip Seal (Inboard)
49	Lip Seal (Outboard)
51	Grease Retainer
53	Base
57	Suction Elbow
59	Handhole Cover
69	Bearing Lockwasher
71	Motor Adapter
* 73	Casing Gasket
203	Nameplate
204	Adjusting Locknut
206	Split Gland Clip
207	Grease Fitting
208	Pipe Plug
209	Machine Bolt
210	Hex Nut
211	Set Screw
212	Cap Screw
213	Cap Screw
214	Drive Screw - Nameplate
215	Cap Screw
216	Pipe Plug
* 217	"O" Ring
218	Cap Screw
219	Cap Screw
220	"O" Ring
221	Stud/Cap Screw
223	Handhole Cover
224	Cap Screw
226	Cap Screw
227	Suction Elbow Gasket
229	Lockwasher
230	Hex Nut
240	Pipe Plug
241	Cap Screw
242	Grease Fitting
243	Grease Fitting
264	Pipe Plug
270	Impeller Washer
271	Pipe Plug
* 272	Impeller Screw "O" Ring
279	Shaft Sleeve Key
286	Jack Screw
290	Cap Screw
332	Cap Screw
334	Cap Screw

* Recommended spare parts



NOTE: For 7199, Liquid End components are not available, frame parts only



WARNING:
 CANCER AND REPRODUCTIVE HARM -
WWW.P65WARNINGS.CA.GOV

Repair Parts

Liquid End Parts								
Item 2 - Impeller			Right Hand			Left Hand		
Frame Size	Pump Size	Pump Code	Cast Iron Part No.	Bronze Part No.	Dwg. No.	Cast Iron Part No.	Bronze Part No.	Dwg. No.
3	2 x 2 x 7¼ x 1½	2036	0044899	0044901	27000	0044903	0044905	27001
	2 x 2 x 9½ x 1½	2056	0044907	0044909	27002	0044911	0044913	27003
	4 x 4 x 7¼ x 3	4036	0044611	0044613	26836	0044615	0044617	26837
5	3 x 3 x 9½ x 2	3055	0045074	0045076	33330	0045078	0045080	33331
	4 x 3 x 9½ x 2	3155	0045074	0045076	33330	0045078	0045080	33331
	4 x 4 x 9½ x 2	4054	0045074	0045076	33330	0045078	0045080	33331
	4 x 4 x 9½ x 3	4056	0045006	0045008	33304	0045010	0045012	33305
	5 x 4 x 9½ x 3	4156	0045006	0045008	33304	0045010	0045012	33305
6	3 x 3 x 12 x 2	3065	0044645	0044647	26852	0044649	0044651	26853
	4 x 3 x 12 x 2	3165	0044645	0044647	26852	0044649	0044651	26853
	4 x 4 x 12 x 2	4064	0044645	0044647	26852	0044649	0044651	26853
	4 x 4 x 12 x 3	4066	0044661	0044663	26856	0044665	0044667	26857
	6 x 4 x 12 x 3	4266	0044669	0044671	26858	0044673	0044675	26859
	6 x 6 x 12 x 3 *	6065	0092577	0092576	34726	0092583	0092582	34727
	6 x 6 x 12 x 3	6065	0044669	0044671	26858	0044673	0044675	26859
	8 x 6 x 12 x 3 *	6165	0092577	0092576	34726	0092583	0092582	34727
8 x 6 x 12 x 3	6165	0044669	0044671	26858	0044673	0044675	26859	
6 - H	8 x 8 x 15 x 3	8071	0063510	0063512	33686	0066436	0066440	33687
7	6 x 6 x 15 x 3	6653	0109784	0109785	35717	0109796	0109797	35716
	8 x 8 x 15 x 4	8854	0109800	-	35720	0109801	-	35721
8	6 x 4 x 15 x 3	4276	0082436	0082584	34113	0082480	0082592	34353
	6 x 6 x 15 x 3	6653	0109784	0109785	35717	0109796	0109797	35716
	8 x 6 x 15 x 4	6177	0092600	0092602	34642	0092606	0092608	34696
	8 x 6 x 19 x 4	6186	0091979	0099089	34649	0091978	0099091	34695
	8 x 8 x 19 x 4	8894	0091979	0099089	34649	0091978	0099091	34695
	10 x 8 x 15 x 5	8175	0091744	0091746	34691	0091748	0091750	34693
	10 x 8 x 19 x 4	8184	0082440	0082586	34175	0082500	0082613	34361
	10 x 8 x 19 x 5	8185	0086152	0086154	34473	0091740	0091742	34692

* New 3 Blade Impeller Superseded Previous Impeller April 1980.

Repair Parts

Liquid End Parts									
Frame Size	Pump Size	Pump Code	Item 1		Item 59	Item 217	Item 218	Item 9	
			Casing Right or Left Hand - C.I.		Handhole Cover (cover only)	"O" Ring	Cap Screws (2 Req'd)	Suction Cover - C.I.	
			Part No.	Dwg. No.	Part No.	Part No.	Part No.	Part No.	Dwg. No.
3	2 x 2 x 7¼ x 1½	2036	0072673	33374	N/A	N/A	N/A	0072690	26831
	2 x 2 x 9½ x 1½	2056	0072677	33378	N/A	N/A	N/A	0072693	33373
	4 x 4 x 7¼ x 3	4036	0080156	34123	0043723	0035052	0000432	0072692	26833
	4 x 4 x 7¼ x 3 ++	4036	0072676	33377	0043723	0035052	0000432	0072692	26833
5	3 x 3 x 9½ x 2	3055	0072678	33310	0043719	0000163	0000397	0072694	33312
	4 x 3 x 9½ x 2	3155	0072678	33310	0043719	0000163	0000397	0072695	33313
	4 x 4 x 9½ x 2	4054	0072679	33311	0043719	0000163	0000397	0072695	33313
	4 x 4 x 9½ x 3	4056	0085679	34119	0043727	0000166	0000397	0072696	33332
	4 x 4 x 9½ x 3 ++	4056	0072682	33306	0043723	0035052	0000432	0072696	33332
	5 x 4 x 9½ x 3	4156	0085679	34119	0043727	0000166	0000397	0072697	33372
6	3 x 3 x 12 x 2	3065	0072683	33389	0043719	0000163	0000397	0072698	33383
	4 x 3 x 12 x 2	3165	0072683	33389	0043719	0000163	0000397	0072699	33384
	4 x 4 x 12 x 2	4064	0072684	33390	0043719	0000163	0000397	0072699	33384
	4 x 4 x 12 x 3	4066	0085680	41564	0043723	0035052	0000432	0072700	33385
	4 x 4 x 12 x 3 ++	4066	0072687	33393	0043723	0035052	0000432	0072700	33385
	6 x 4 x 12 x 3	4266	0085680	41564	0043723	0035052	0000432	0072701	33388
	6 x 4 x 12 x 3 ++	4266	0072687	33393	0043723	0035052	0000432	0072701	33388
	6 x 6 x 12 x 3	6065	0072688	33395	0043987	0089525	0000452	0072701	33388
8 x 6 x 12 x 3	6165	0072688	33395	0043987	0089525	0000452	0072702	33458	
6 - H	8 x 8 x 15 x 3	8071	0072689	41320	0044232	0040844	0000470	0072703	33549
7	6 x 6 x 15 x 3	6653	0084533	41558	0044232	0040844	0000467	0109782	42300
	8 x 8 x 15 x 4	8854	0082210	41555	0091134	0000186	0000479	0109798	42301
8	6 x 4 x 15 x 3	4276	(1) 0082010	41560	0043987	0040030	0000452	0082502	34116
			(2) 0082227	41723	0043987	0040030	0000452	0082502	34116
			(3) 0082311	41728	0043987	0040030	0000452	0082502	34116
	6 x 6 x 15 x 3	6653	(1) 0084533	41558	0044232	0040844	0000467	0109795	42305
			(2) 0082241	41724	0044232	0040844	0000467	0109795	42305
			(3) 0082313	41729	0044232	0040844	0000467	0109795	42305
	8 x 6 x 15 x 4	6177	(1) 0084533	41558	0044232	0040844	0000467	0082504	34341
			(2) 0082241	41724	0044232	0040844	0000467	0082504	34341
			(3) 0082313	41729	0044232	0040844	0000467	0082504	34341
	8 x 6 x 19 x 4	6186	(1) 0082212	41554	0044232	0040844	0000467	0093763	34652
(2) 0082294			41726	0044232	0040844	0000467	0093763	34652	
(3) 0082332			41731	0044232	0040844	0000467	0093763	34652	
8 x 8 x 19 x 4	8894	(1) 0082225	41552	0091134	0000186	0000479	0108001	35617	
		(2) 0082296	41727	0091134	0000186	0000479	0108001	35617	
		(3) 0082352	41732	0091134	0000186	0000479	0108001	35617	
10 x 8 x 15 x 5	8175	(1) 0082210	41555	0091134	0000186	0000479	0082506	34342	
		(2) 0082250	41725	0091134	0000186	0000479	0082526	34343	
		(3) 0082316	41730	0091134	0000186	0000479	0082526	34343	
10 x 8 x 19 x 4	8184	(1) 0082225	41552	0091134	0000186	0000479	0082522	34098	
		(2) 0082296	41727	0091134	0000186	0000479	0082522	34098	
		(3) 0082352	41732	0091134	0000186	0000479	0082522	34098	
10 x 8 x 19 x 5	8185	(1) 0082225	41552	0091134	0000186	0000479	0082522	34098	
		(2) 0082296	41727	0091134	0000186	0000479	0082522	34098	
		(3) 0082352	41732	0091134	0000186	0000479	0082522	34098	

++ Earlier Casing Design - Interchangeable with later design but requires modification of Discharge Piping.

- NOTE: (1) Casing used with Fig. 7158, 7159, 7198, 7199.
 (2) Casing used with Fig. 7168, 7169 with Vertical Discharge.
 (3) Casing used with Fig. 7168, 7169 with Top Horizontal Discharge.

Repair Parts

Liquid End Parts									
Frame Size	Pump Size	Item 8			Item 296	Item 25			Item 343
		Impeller Wear Ring			Set Screw	Suction Cover Wear Ring			Mechanical Screw
		C.I. Part No.	#8 Bronze Part No.	CA-15 Part No.	Part No.	C.I. Part No.	#8 Bronze Part No.	CA-15 Part No.	Part No.
3	2 x 2 x 7¼ x 1½	0085721	0058615	0085720	0033444	0077893	0076806	0077749	0079176
	2 x 2 x 9½ x 1½	0085721	0058615	0085720	0033444	0077893	0076806	0077749	0079176
	4 x 4 x 7¼ x 3	0085728	0085726	0085727	0078898	0077887	0073535	0077755	0079175
5	3 x 3 x 9½ x 2	0085728	0085726	0085727	0078898	0077887	0073535	0077755	0079175
	4 x 3 x 9½ x 2	0085728	0085726	0085727	0078898	0077887	0073535	0077755	0079175
	4 x 4 x 9½ x 2	0085728	0085726	0085727	0078898	0077887	0073535	0077755	0079175
	4 x 4 x 9½ x 3	0085724	0085722	0085725	0078898	0077891	0075274	0077751	0079174
	5 x 4 x 9½ x 3	0085724	0085722	0085725	0078898	0077891	0075274	0077751	0079174
6	3 x 3 x 12 x 2	0085728	0085726	0085727	0078898	0077887	0073535	0077755	0079175
	4 x 3 x 12 x 2	0085728	0085726	0085727	0078898	0077887	0073535	0077755	0079175
	4 x 4 x 12 x 2	0085728	0085726	0085727	0078898	0077887	0073535	0077755	0079175
	4 x 4 x 12 x 3	0085724	0085722	0085725	0078898	0077891	0075274	0077751	0079174
	6 x 4 x 12 x 3	0085731	0085729	0085730	0078898	0077876	0053377	0077757	0079175
	6 x 6 x 12 x 3	0085731	0085729	0085730	0078898	0077876	0053377	0077757	0079175
	8 x 6 x 12 x 3	0085731	0085729	0085730	0078898	0077876	0053377	0077757	0079175
6 - H	8 x 8 x 15 x 3	0085734	0085732	0085733	0078898	0077889	0073588	0077753	0079174
7	6 x 6 x 15 x 3	0109846	0109848	0109852	0078898	0109856	0109854	0109860	0079175
	8 x 8 x 15 x 4	0109845	0094248	0094246	0078898	0109863	0089429	0088400	0079175
8	6 x 4 x 15 x 3	-	0089417	0117368	0078898	-	0089415	0088386	0079174
	6 x 6 x 15 x 3	0109846	0109848	0109852	0078898	0109856	0109854	0109860	0079175
	8 x 6 x 15 x 4	-	0094248	0094246	0078898	-	0089429	0088400	0079175
	8 x 6 x 19 x 4	-	0094248	0094246	0078898	-	0089429	0088400	0079175
	8 x 8 x 19 x 4	-	0094248	0094246	0078898	-	0089429	0088400	0079175
	10 x 8 x 15 x 5	-	0089427	0068398	0078898	-	0089425	0088396	0079175
	10 x 8 x 19 x 4	-	0089423	0088394	0078898	-	0089419	0088390	0079174
	10 x 8 x 19 x 5	-	0089423	0088394	0078898	-	0089419	0088390	0079174

* For Repairs After 1981 Check Serial Record.

Repair Parts

Parts for Casing and Suction Cover						
Frame Size	Pump Size	Item No.	Description	Part No.	No. Req'd.	
3	2 x 2 x 7¼ x 1½ 2 x 2 x 9½ x 1½ 4 x 4 x 7¼ x 3	* 73	Casing Gasket - All	0043945	2	
		212	Casing Gasket - For 2 x 2 x 9½ x 1½ Only	0043904	2	
			Cap Screw - All	0000404	8	
			Cap Screw - For 2 x 2 x 9½ x 1½ Only	0000432	8	
		215	Cap Screw	0006415	8	
		216	Pipe Plug	0002009	3	
		240	Pipe Plug	0002009	3	
5	3 x 3 x 9½ x 2 4 x 3 x 9½ x 2 4 x 4 x 9½ x 2 4 x 4 x 9½ x 3 5 x 4 x 9½ x 3	* 73	Casing Gasket	0043904	2	
		212	Cap Screw	0000434	8	
		215	Cap Screw	0000434	8	
		216	Pipe Plug	0002009	3	
		240	Pipe Plug	0002009	3	
6	3 x 3 x 12 x 2 4 x 3 x 12 x 2 4 x 4 x 12 x 2 4 x 4 x 12 x 3 6 x 4 x 12 x 3 6 x 6 x 12 x 3 8 x 6 x 12 x 3	* 73	Casing Gasket	0043981	2	
		212	Cap Screw	0000437	8	
		215	Cap Screw	0000439	8	
		216	Pipe Plug	0006223	3	
		240	Pipe Plug	0006223	3	
6 H	8 x 6 x 15 x 3	* 73	Casing Gasket	0064885	2	
		212	Cap Screw	0055242	12	
		215	Cap Screw	0055242	12	
		216	Pipe Plug	0006223	3	
		240	Pipe Plug	0006223	3	
7	6 x 6 x 15 x 3 8 x 8 x 15 x 4	* 73	Casing Gasket	0083123	2	
		212	Cap Screw	0000441	16	
		215	Cap Screw	0000432	12	
		216	Pipe Plug	0006224	4	
		240	Pipe Plug	0002009	1	
		264	Pipe Plug	0006224	2	
8	6 x 4 x 15 x 3 6 x 6 x 15 x 3 8 x 6 x 15 x 4 8 x 8 x 15 x 4 10 x 8 x 15 x 5	* 73	Casing Gasket	0083123	2	
		212	Cap Screw			
			For Fig. 7158	0000475	16	
			For Fig. 7168 or 7198	0000470	16	
		215	Cap Screw	0000432	16	
		216	Pipe Plug	0006224	3	
	240	Pipe Plug	0006224	1		
	264	Pipe Plug	0006224	2		
	8	8 x 6 x 19 x 4 8 x 8 x 19 x 4 10 x 6 x 19 x 4 10 x 8 x 19 x 5	* 73	Casing Gasket	0085879	2
			212	Cap Screw		
				For Fig. 7158	0000476	16
				For Fig. 7168 or 7198	0000475	16
215			Cap Screw	0000466	16	
216			Pipe Plug	0006224	3	
240	Pipe Plug	0006224	1			
264	Pipe Plug	0006224	2			
9	10 x 8 x 23 x 5 12 x 10 x 23 x 6 14 x 12 x 23 x 6	* 73	Casing Gasket	0081678	2	
		212	Cap Screw			
			For Fig. 7159	0000489	16	
			For Fig. 7169 or 7199	0000488	16	
		215	Cap Screw	0085763	12	
		216	Pipe Plug	0006224	3	
		240	Pipe Plug	0006224	1	
264	Pipe Plug	0006224	2			

* Recommended Spare Parts



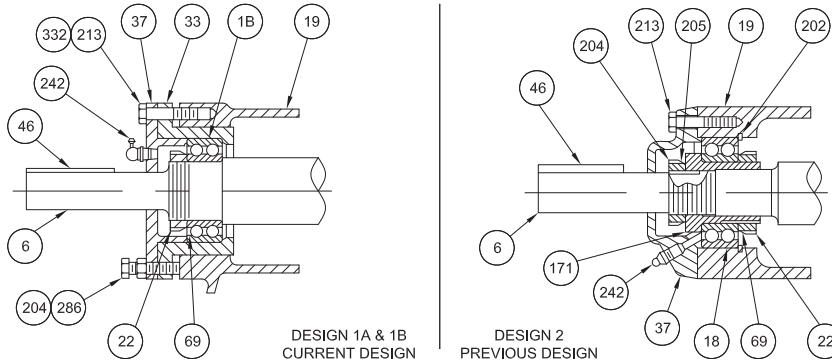
Parts for Fig. 7100

Industrial Section 45
Bulletin 95

DEMING®

www.cranepumps.com

Repair Parts



Design 1A construction replaced previous construction shown in Design 2 in July 1976. Redesign of Figures 7156, 7166 and 7196 involving the Shaft (6), Inboard Bearing (16), Deflector (40), Grease Retainer (51), Lip Seal (49), and Frame (19). Design 1B parts are not interchangeable with design 1A parts.

Pump Shaft and Parts

Shaft & Sleeve - 7153, 7163, 7155, 7165, 7156, 7166, 7156H, 7166H

Item No.	Figure	Name and Description	Design	7153 - 7163		7155 - 7165		7156 - 7166		7156H - 7166H	
				Part No.	Dwg. No.	Part No.	Dwg. No.	Part No.	Dwg. No.	Part No.	Dwg. No.
6 & 14	Shaft with Shrunk - On Sleeve with 416 SS Sleeve		1B	-	-	-	-	0099662	-	-	-
			1A	0092071	-	0092073	-	0092075	#	0092077	-
			2	0074088	-	0074091	-	0080187	#	0080189	-
	with 440 SS Sleeve		1B	-	-	-	-	0099663	-	-	-
			1A	0092072	-	0092074	-	0092076	#	0092078	-
			2	0074090	-	0074093	-	0080188	#	0080190	-
+ 6	Pump Shaft Only		1B	-	-	-	-	0091159	34657	-	-
			1A	0084890	34351	0084928	34352	0084971	34366	0087644	34531
			2B	0044576	26827	0045002	33303	0044634	26847	0064906	27487
* 14	Shaft Sleeve - Shrink fit (416 SS) Shaft Sleeve - Shrink fit (440C SS)		1A 1B & 2	0072880	119-284	0072881	119-285	0072882	119-286	0072883	119-287
			1A 1B & 2	0072849	119-284	0072852	119-285	0072855	119-286	0072858	119-287

Shaft & Sleeve - 7193, 7195, 7196, 7196H

Frame Size	Motor Frames		Design	Item 6 & 14 Shaft with Shrunk on Sleeve		Item 6 Shaft (4140 Steel)		* Item 14 Sleeve	
				416 SS	440C SS	Part No.	Dwg. No.	416 SS	440C SS
	"T" Frames	"U" Frames		Part No.	Part No.			Part No.	Part No.
3	145TC thru 215TC	182C thru 256UC	1A	0099656	0099657	0085232	34421	0072880	0072849
			2	0074094	0074096	0044584	26829	0072880	0072849
5	145TC thru 215TC	182C thru 256UC	1A	0092073	0092074	0084928	34352	0072881	0072852
			2	0074091	0074093	0045002	33303	0072881	0072852
	254TC thru 286TC	284UC thru 286UC	1A	0099660	0099661	0085248	34422	0072881	0072852
			2	0074098	0074099	0045101	33344	0072881	0072852
6	182TC thru 215TC	213C thru 256UC	1B	0099662	0099663	0091159	34657	0072882	0122342
			1A	# 0092075	# 0092076	0084971	34366	0072882	0122342
			2	# 0080187	# 0080188	0044634	26847	0072882	0122342
	254TC thru 286TC	284UC thru 286UC 404UC thru 405UC	1B	0099664	0099665	0091163	34658	0072882	0122342
			1A	# 0091845	# 0091846	0085209	34419	0072882	0122342
			2	# 0080193	# 0080194	0044638	26848	0072882	0122342
324TSC thru 365TSC	324USC thru 365USC	1B	0099662	0099663	0091159	34657	0072882	0122342	
		1A	# 0092075	# 0092076	0084971	34366	0072882	0122342	
		2	# 0080187	# 0080188	0044634	26847	0072882	0122342	
6 H	284TC thru 286TC	284UC thru 286UC	1A	0099668	0099669	0087645	34532	0072883	0072858
			2	0080195	0080196	0064933	27488	0072883	0072858
	324TSC thru 365TSC	324USC thru 365USC	1A	0092077	0092078	0087644	34531	0072883	0072858
			2	0080189	0080190	0064906	27487	0072883	0072858
	404TSC thru 405TSC	404USC thru 405USC	1A	0099672	0099673	0087645	34532	0072883	0072858
			2	0080195	0080196	0064933	27488	0072883	0072858

+ To be used on pumps originally furnished with slip-on type sleeves, Item 14A, Design 2. Later Figure 2 construction included shrunk-on sleeves.

Includes Shaft, Sleeve, Bearing (16) and Deflector (40) to facilitate installation

* Recommended Spare Parts

SECTION 95
PAGE 250
DATE 8/09

CRANE

PUMPS & SYSTEMS

A Crane Co. Company

USA: (937) 778-8947 • Canada: (905) 457-6223 • International: (937) 615-3598

Repair Parts

Shaft Trim - For Figure Numbers Shown Below										
Figure			7153 - 7163 - 7193		7155 - 7165 - 7195		7156 - 7166 - 7196		7156H - 7166H - 7196H	
Item No.	Name and Description	Design	Part No.	Dwg. No.	Part No.	Dwg. No.	Part No.	Dwg. No.	Part No.	Dwg. No.
* 14	Shaft Sleeve (316 SS) Shaft Sleeve - Slip Fit (440C SS)	1A & 1B 2	0043954 0043955	118-071 118-071	0043754 0043755	117-917 117-917	0075601 0043995	118-083 118-083	0075603 0064905	119-054 119-054
* 26	Impeller Screw Impeller Screw - Self Locking	1A & 1B 2	0053313 -	3/8" X 1" -	0053315 -	1/2" X 1 1/2" -	0080387 0075147	3/4" x 1 1/2" 5/8" x 1 1/2"	0080387 0075147	3/4" x 1 1/2" 5/8" x 1 1/2"
* 30	Impeller Washer Gasket	1A & 1B	0068362	-	0068363	-	0080310	-	0080310	-
32	Impeller Key - Shrunk on Sleeve Impeller Key - Slip on Sleeve	1A & 1B 2	0089600 0089601	- -	0074752 0089603	- -	0089604 0089605	- -	0089604 0089605	- -
† * 38	Shaft Sleeve O-Ring	1A 1B & 2	0068369	-	0068367	-	0100515	-	0100515	-
270	Impeller Washer Impeller Washer Impeller Washer - 3/4" I.D. (316 SS)	1A & 1B 2 2	0081098 0074681 -	119-744 118-541 -	0068347 0074732 -	119-154 118-543 -	0080305 0080308 0078739	119-589 119-077 119-077	0080305 0080308 0078739	119-589 119-077 199-077
* 272	"O" Ring - For Item 26 "O" Ring - For Item 26	1A & 1B 2	0068366 -	- -	0068365 -	- -	0080301 0075690	- -	0080301 0075690	- -

† Previous to 1999, Shaft Sleeve Gaskets were used
* Recommended Spare Parts

Shaft Trim - For Figure Numbers Shown Below							
Figure		7157 - 7167 - 7197		7158 - 7168 - 7198		7159 - 7169 - 7199	
Item No.	Name and Description	Part No.	Dwg. No.	Part No.	Dwg. No.	Part No.	Dwg. No.
* 6	Shaft - 4140 Steel	0109775	35714	0084539	34165	0083238	34321
* 14	Shaft Sleeve - For Packing (416 SS) Shaft Sleeve - For Packing (316 SS) Shaft Sleeve - For Packing (440C SS)	0109777 - 0109776	29701 - 29701	0084546 0082707 0084545	27785 27785 27785	0081257 0081380 0081378	27772 27772 27772
	Shaft Sleeve - For Seal, Type BRO (416 SS) Shaft Sleeve - For Seal, Type BRO (316 SS)	- -	- -	0089226 0089232	28323 28323	0089228 0099100	28326 28326
* 28	Impeller Screw (316 SS)	0080387	-	0088552	-	0088554	-
* 30	Impeller Washer Gasket	0085902	-	0085902	-	0080965	-
* 32	Impeller Key (316 SS)	0002234	-	0099653	-	0099655	-
* 38	Shaft Sleeve Gasket	0109678	-	0085903	-	0087968	-
270	Impeller Washer (316 SS)	0109780	121-912	0084567	119-678	0088553	27946
* 272	"O" Ring - For Item 26	0080301	-	0085905	-	0000150	-
279	Sleeve Key - Woodruff (316 SS)	0065014	-	0065014	-	0065014	-

* Recommended Spare Parts

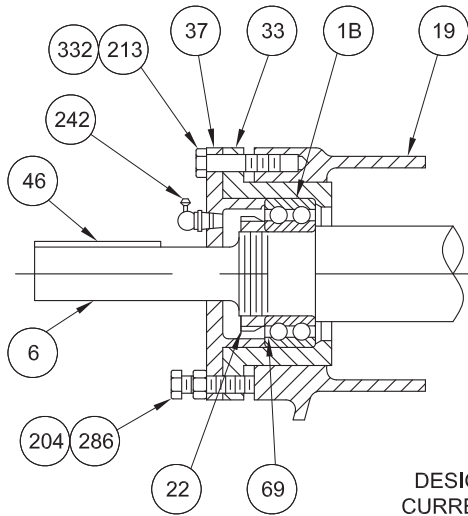
Parts for Fig. 7100

Industrial Section 45
Bulletin 95

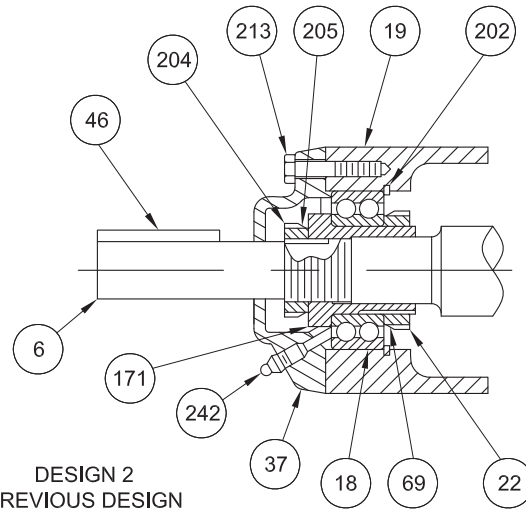
DEMING®

www.cranepumps.com

Repair Parts



DESIGN 1A & 1B
CURRENT DESIGN



DESIGN 2
PREVIOUS DESIGN

Frame Assembly Parts								
Figure			7153		7163		7193	
Item No.	Name and Description	Design	Part No.	Dwg. No.	Part No.	Dwg. No.	Part No.	Dwg. No.
* 16	Inboard Ball Bearing - Grease Lube Inboard Ball Bearing - Oil Lube	1A & 2 1A & 2	0003223 -	- -	0003223 0054221	- -	0003223 -	- -
* 18	Outboard Ball Bearing - Grease or Oil Lube	1A & 2	0005275	-	0005275	-	0005275	-
++ 19	C.I. Frame - Grease Lube	1A	0084889	41717	0084891	41716	-	-
	C.I. Frame - Grease Lube	2	0045453	41238	0045451	41237	-	-
	C.I. Frame - Grease Lube (Motor Frame 143TC-256TC)	1A	-	-	-	-	0084726	41765
	C.I. Frame - Grease Lube (Motor Frame 143TC-256TC)	2	-	-	-	-	0045440	41231
	Motor Adapter (For Motor Frame 143TC-145TC)	1A & 2	-	-	-	-	0020153	17569
	C.I. Frame - Oil Lube	1A	-	-	0084964	41716	-	-
	C.I. Frame - Oil Lube	2	-	-	0074763	41237	-	-
22	Bearing Locknut - Steel	1A & 2	0003137	-	0003137	-	0003137	-
33	Bearing Housing - C.I. Grease Lube	1A	0084871	28079	0084871	28079	0084871	28079
	Bearing Housing - C.I. Oil Lube	1A	-	-	0086710	28079	-	-
37	Bearing Cover - C.I. Grease Lube	1A	0087797	28080	0084873	28080	0084873	28080
	Bearing Cover - C.I. Grease Lube	2	0044629	26844	0044629	26844	0044629	26844
	Bearing Cover - C.I. Oil Lube	1A	-	-	0087797	28080	-	-
	Bearing Cover - C.I. Oil Lube	2	-	-	0044629	26844	-	-
40	Deflector - Bronze	1A & 2	0043970	118-076	0043970	118-076	0043970	118-076
46	Coupling Key	1A & 2	0002205	-	0002205	-	0002205	-
* 49	Lip Seal - Grease Lube (For Item 37)	1A	0006924	-	-	-	-	-
	Lip Seal - Oil Lube (For Item 37)	1A	-	-	0006924	-	-	-
51	Grease Retainer - C.I.	1A & 2	0043972	118-077	0043972	118-077	0043972	118-077
69	Bearing Lockwasher	1A & 2	0003130	-	0003130	-	0003130	-
- 171	Bearing Adapter - Bronze	2	0043977	118-078	0043977	118-078	0043977	118-078
* 202	Snap Ring - (For Item 18)	2	0033569	-	0033569	-	0033569	-
204	Adjusting Locknut - (For Item 286)	1A	0000113	-	0000113	-	0000113	-
	Adjusting Locknut - (For Item 171)	2	0044445	-	0044445	-	0044445	-
205	Adjusting Nut Washer - (For Item 204)	2	0003300	-	0003300	-	0003300	-
207	Grease Fitting - (For Item 16)	1A & 2	0005949	-	0005949	-	0005949	-

++ Frame (Item 19) In Design 2 is not available for replacement. All other parts in Design 2 are available. For replacement of frame (Item 19) In Design 2 specify frame assembly (Item 19) In Design 1A which includes frame, shaft, bearing, etc. from the chart on page 253.

- Bearing Adapter (Item 171) is not required with current frame assembly design (Design 1A).

* Recommended Spare Parts

SECTION 95
PAGE 252
DATE 2/15

CRANE
®

PUMPS & SYSTEMS

A Crane Co. Company

USA: (937) 778-8947 • Canada: (905) 457-6223 • International: (937) 615-3598

Repair Parts

Frame Assembly Parts									
Item No.	Figure	Name and Description	Design	7153		7163		7193	
				Part No.	Dwg. No.	Part No.	Dwg. No.	Part No.	Dwg. No.
211		Set Screw - #10 x 3/8" (For Item 40)	1A & 2	0012652	-	0012652	-	0012652	-
213		Cap Screw - 5/16" x 1 1/2" (For Item 37)	1A	0000380	3 Req'd	0000380	3 Req'd	0000380	3 Req'd
		Cap Screw - 5/16" x 1" (For Item 37)	2	0000371	4 Req'd	0000371	4 Req'd	0000371	4 Req'd
* 232		"O" Ring - Oil Lube (For Item 33)	1A	-	-	0039051	-	-	-
* 233		Gasket - Oil Lube (For Item 37)	1A	-	-	0095852	-	-	-
		Gasket - Oil Lube (For Item 37)	2	-	-	0043979	-	-	-
234		Trico Lubricator - Oil Lube (2 oz.)	1A & 2	-	-	0057697	-	-	-
235		Alemite Breather - Oil Lube (1/2")	1A & 2	-	-	0039022	-	-	-
236		Pipe Plug - 1/4" (For Item 19)	1A & 2	0002009	-	0002009	-	0002009	-
237		Pipe Plug - Oil Lube 1/8" (For Item 19)	1A & 2	-	-	0002553	-	-	-
238		Pipe Plug - Oil Lube 1/8" (For Item 19)	1A & 2	-	-	0002553	-	-	-
241		Cap Screw - Motor (For Frame 143TC-145TC)	1A & 2	-	-	-	-	000431	4 Req'd
		Cap Screw - Motor (For Frame 182TC-215TC)	1A & 2	-	-	-	-	0000432	4 Req'd
242		Grease Fitting - (For Item 37)	1A & 2	0003131	-	0003131	-	0003131	-
286		Jack Screw - 5/16" x 1 1/4" (All Thread)	1A	0084892	3 Req'd	0084892	3 Req'd	0084892	3 Req'd
* 292		"O" Ring - Oil Lube (For Item 19)	1A	-	-	0000169	-	-	-
		"O" Ring - Oil Lube (For Item 19)	2	-	-	0039051	-	-	-
332		Cap Screw - 5/16" x 5/8" (For Item 37 to 33)	1A	0000715	2 Req'd	0000715	2 Req'd	0000715	2 Req'd

* Recommended Spare Parts
For Prices refer to current Parts Price List.

Item 19 - Frame Assemblies - Design 1A			
Figure	Name and Description	Part No.	Motor Frame
7153	Grease Lube with 416 SS Shaft Sleeve	0085041	-
	Grease Lube with 440C SS Shaft Sleeve	0085043	-
7163	Grease Lube with 416 SS Shaft Sleeve	0085047	-
	Grease Lube with 440C SS Shaft Sleeve	0085049	-
	Grease Lube with 416 SS Shaft Sleeve	0085050	-
	Grease Lube with 440C SS Shaft Sleeve	0085052	-
7193	Grease Lube with 416 SS Shaft Sleeve	0085226	143TC - 145TC
	Grease Lube with 440C SS Shaft Sleeve	0085228	143TC - 145TC
	Grease Lube with 416 SS Shaft Sleeve	0085229	182TC - 215TC
	Grease Lube with 440C SS Shaft Sleeve	0085331	182TC - 215TC

Refer to Page 252. For additional information on frame designs.

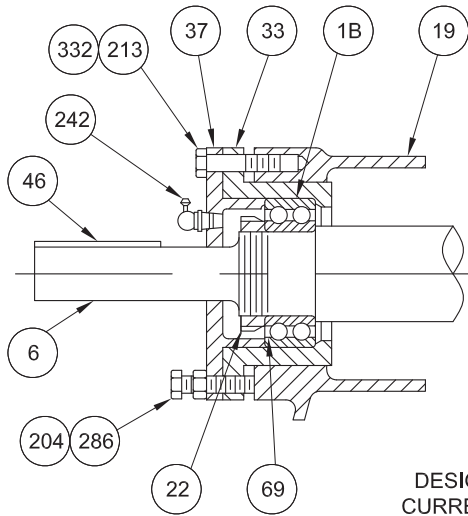
Parts for Fig. 7100

Industrial Section 45
Bulletin 95

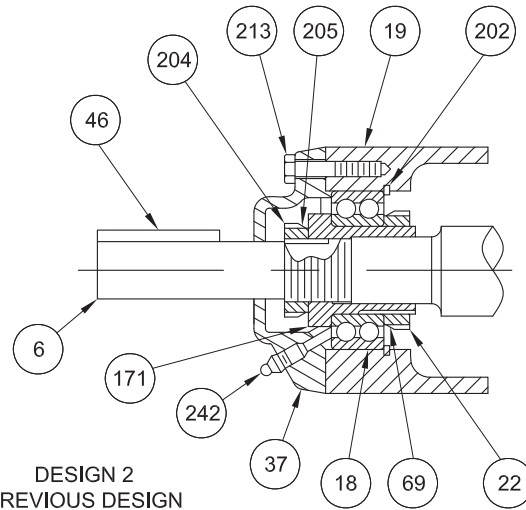
DEMING®

www.cranepumps.com

Repair Parts



DESIGN 1A & 1B
CURRENT DESIGN



DESIGN 2
PREVIOUS DESIGN

Frame Assembly Parts								
Figure			7155		7165		7195	
Item No.	Name and Description	Design	Part No.	Dwg. No.	Part No.	Dwg. No.	Part No.	Dwg. No.
* 16	Inboard Ball Bearing - Grease Lube Inboard Ball Bearing - Oil Lube	1A & 2 1A & 2	0005298 -	- -	0005298 0041034	- -	0005298 -	- -
* 18	Outboard Ball Bearing - Grease or Oil Lube	1A & 2	0039989	-	0039989	-	0039989	-
++ 19	C.I. Frame - Grease Lube	1A	0084929	41719	0084957	5227	-	-
	C.I. Frame - Grease Lube	2	0045420	41217	0043848	5215	-	-
	C.I. Frame - Grease Lube (Motor Frame 143TC-256TC)	1A	-	-	-	-	0084738	41771
	C.I. Frame - Grease Lube (Motor Frame 143TC-256TC)	2	-	-	-	-	0045484	41251
	C.I. Frame - Grease Lube (Motor Frame 284TC-286TC)	1A	-	-	-	-	0084739	41772
	C.I. Frame - Grease Lube (Motor Frame 284TC-286TC)	2	-	-	-	-	0045486	41252
	Motor Adapter (For Motor Frame 143TC-145TC)	1A & 2	-	-	-	-	0020153	17569
C.I. Frame - Oil Lube	1A	-	-	0084958	5227	-	-	
C.I. Frame - Oil Lube	2	-	-	0074762	5215	-	-	
22	Bearing Locknut - Steel	1A & 2	0006033	-	0006033	-	0006033	-
33	Bearing Housing - C.I. Grease Lube	1A	0084925	28081	0084925	28081	0084925	28081
	Bearing Housing - C.I. Oil Lube	1A	-	-	0086709	28081	-	-
37	Bearing Cover - C.I. Grease Lube	1A	0087798	28082	0084927	28082	0084927	28082
	Bearing Cover - C.I. Grease Lube	2	0044526	26761	0044526	26761	0044526	26761
	Bearing Cover - C.I. Oil Lube	1A	-	-	0087798	28082	-	-
	Bearing Cover - C.I. Oil Lube	2	-	-	0044526	26761	-	-
40	Deflector - Bronze	1A & 2	0043738	117-914	0043738	117-914	0043738	117-914
46	Coupling Key (1/4 sq. x 3" lg.)	1A & 2	0002208	-	0002208	-	0002208	-
* 49	Lip Seal - (For Item 37)	1A	0073259	-	0073259	-	-	-
51	Grease Retainer - C.I.	1A & 2	0043747	117-920	0043747	117-920	0043747	117-920
69	Bearing Lockwasher	1A & 2	0007147	-	0007147	-	0007147	-
- 171	Bearing Adapter - Bronze	2	0043745	117-916	0043745	117-916	0043745	117-916
* 202	Snap Ring - (For Item 18)	2	0033607	-	0033607	-	0033607	-
204	Adjusting Locknut - (For Item 286)	1A	0001168	3/8"	0001168	3/8"	0001168	3/8"
	Adjusting Locknut - (For Item 171)	2	0003137	N-07	0003137	N-07	0003137	N-07
205	Adjusting Nut Washer - (For Item 204)	2	0003130	-	0003130	-	0003130	-
207	Grease Fitting - (For Item 16)	1A & 2	0003131	-	0003131	-	0003131	-

++ Frame (Item 19) Is Design 2 in not available for replacement. All other parts in Design 2 are available. For replacement of frame (Item 19) In Design 2 specify frame assembly (Item 19) In Design 1A which includes frame, shaft, bearing, etc. from the chart on page 255.

- Bearing Adapter (Item 171) is not required with current frame assembly design (Design 1A).

* Recommended Spare Parts

SECTION 95
PAGE 254
DATE 10/16

CRANE
®

PUMPS & SYSTEMS

A Crane Co. Company

USA: (937) 778-8947 • Canada: (905) 457-6223 • International: (937) 615-3598

Repair Parts

Frame Assembly Parts								
Figure			7155		7165		7195	
Item No.	Name and Description	Design	Part No.	Dwg. No.	Part No.	Dwg. No.	Part No.	Dwg. No.
211	Set Screw - #10 x 3/8" (For Item 40)	1A & 2	0012652	-	0012652	-	0012652	-
213	Cap Screw - 3/8" x 1 1/4" (For Item 37)	1A	0000406	3 Req'd	0000406	3 Req'd	0000406	3 Req'd
	Cap Screw - 3/8" x 1 1/4" (For Item 37)	2	0000402	4 Req'd	0000402	4 Req'd	0000402	4 Req'd
* 232	"O" Ring - Oil Lube (For Item 33)	1A	-	-	0039023	-	-	-
* 233	Gasket - Oil Lube (For Item 37)	1A	-	-	0095853	-	-	-
	Gasket - Oil Lube (For Item 37)	2	-	-	0043881	-	-	-
234	Trico Lubricator - Oil Lube (2 oz.)	1A & 2	-	-	0057697	-	-	-
235	Alemite Breather - Oil Lube (1/2")	1A & 2	-	-	0039022	-	-	-
236	Pipe Plug - 1/4" (For Item 19)	1A & 2	0002009	-	0002009	-	0002009	-
237	Pipe Plug - Oil Lube 1/8" (For Item 19)	1A & 2	-	-	0002553	-	-	-
238	Pipe Plug - Oil Lube 1/8" (For Item 19)	1A & 2	-	-	0002553	-	-	-
241	Cap Screw - Motor (For Frame 143TC-145TC)	1A & 2	-	-	-	-	000431	4 Req'd
	Cap Screw - Motor (For Frame 182TC-215TC)	1A & 2	-	-	-	-	0000432	4 Req'd
242	Grease Fitting - (For Item 37)	1A & 2	0003131	-	0003131	-	0003131	-
286	Jack Screw - 3/8" x 2 1/4" (All Thread)	1A	0084880	3 Req'd	0084880	3 Req'd	0084880	3 Req'd
* 292	"O" Ring - Oil Lube (For Item 19)	1A	-	-	0095850	-	-	-
	"O" Ring - Oil Lube (For Item 19)	2	-	-	0039023	-	-	-
332	Cap Screw - 3/8" x 3/4" (For Item 37 to 33)	1A	0000395	2 Req'd	0000395	2 Req'd	0000395	2 Req'd

* Recommended Spare Parts

Item 19 - Frame Assemblies - Design 1A			
Figure	Name and Description	Part No.	Motor Frame
7155	Grease Lube with 416 SS Shaft Sleeve	0085059	-
	Grease Lube with 440C SS Shaft Sleeve	0085061	-
7165	Grease Lube with 416 SS Shaft Sleeve	0085065	-
	Grease Lube with 440C SS Shaft Sleeve	0085067	-
	Grease Lube with 416 SS Shaft Sleeve	0085068	-
	Grease Lube with 440C SS Shaft Sleeve	0085070	-
7195	Grease Lube with 416 SS Shaft Sleeve	0085242	143TC - 145TC
	Grease Lube with 440C SS Shaft Sleeve	0085244	143TC - 145TC
	Grease Lube with 416 SS Shaft Sleeve	0085245	182TC - 215TC
	Grease Lube with 440C SS Shaft Sleeve	0085247	182TC - 215TC
	Grease Lube with 416 SS Shaft Sleeve	0085249	254TC - 256TC
	Grease Lube with 440C SS Shaft Sleeve	0085251	254TC - 256TC
	Grease Lube with 416 SS Shaft Sleeve	0085252	284TC - 286TC
	Grease Lube with 440C SS Shaft Sleeve	0085254	284TC - 286TC

Refer to Page 254. For additional information on frame designs.

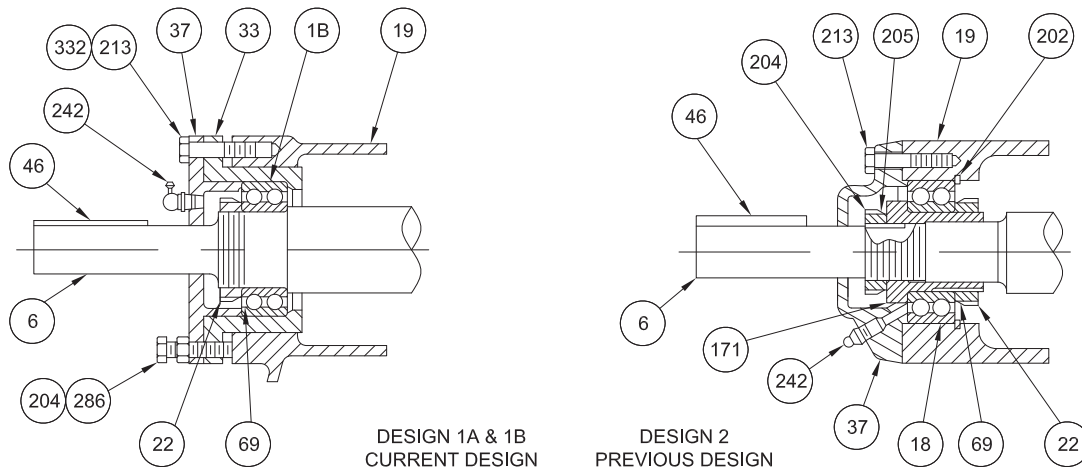
Parts for Fig. 7100

Industrial Section 45
Bulletin 95

DEMING®

www.cranepumps.com

Repair Parts



Frame Assembly Parts								
Item No.	Figure		7156		7166		7196	
	Name and Description	Design	Part No.	Dwg. No.	Part No.	Dwg. No.	Part No.	Dwg. No.
* 16	Inboard Ball Bearing - Grease Lube	1B	0091410	-	0091410	-	0091410	-
	Inboard Ball Bearing - Grease Lube	1A & 2	0039934	-	0039934	-	0039934	-
	Inboard Ball Bearing - Oil Lube	1B	-	-	0065233	-	-	-
	Inboard Ball Bearing - Oil Lube	1A & 2	-	-	0039936	-	-	-
* 18	Outboard Ball Bearing - Grease or Oil Lube	ALL	0039935	-	0039935	-	0039935	-
++ 19	C.I. Frame - Grease Lube	1A & 1B	0084972	5228	0084973	5229	-	-
	C.I. Frame - Grease Lube	2	0043852	5217	0043850	5216	-	-
	C.I. Frame - Grease Lube (Motor Frame 182TC-256TC)	1A & 1B	-	-	-	-	0087431	41768
	C.I. Frame - Grease Lube (Motor Frame 182TC-256TC)	2	-	-	-	-	0045444	41233
	C.I. Frame - Grease Lube (Motor Frame 284TC-286TC)	1A & 1B	-	-	-	-	0084733	41769
	C.I. Frame - Grease Lube (Motor Frame 284TC-286TC)	2	-	-	-	-	0045446	41234
	C.I. Frame - Grease Lube (Motor Frame 324TSC-365TSC)	1A & 1B	-	-	-	-	0084734	41770
	C.I. Frame - Grease Lube (Motor Frame 324TSC-365TSC)	2	-	-	-	-	0045448	41235
	C.I. Frame - Oil Lube	1A & 1B	-	-	0084974	5229	-	-
C.I. Frame - Oil Lube	2	-	-	0074761	5216	-	-	
22	Bearing Locknut - Steel	ALL	0039937	-	0039937	-	0039937	-
33	Bearing Housing - C.I. Grease Lube	1A & 1B	0084968	28083	0084968	28083	0084968	28083
	Bearing Housing - C.I. Oil Lube	1A & 1B	-	-	0086711	28083	-	-
37	Bearing Cover - C.I. Grease Lube	1A & 1B	0087823	28084	0084970	28084	0084970	28084
	Bearing Cover - C.I. Grease Lube	2	0044644	26851	0044644	26851	0044644	26851
	Bearing Cover - C.I. Oil Lube	1A & 1B	-	-	0087823	28084	-	-
	Bearing Cover - C.I. Oil Lube	2	-	-	0044644	26851	-	-
40	Deflector - Bronze	1B	0064892	119-048	0064892	119-048	0064892	119-048
	Deflector - Bronze	1A & 2	0044005	118-086	0044005	118-086	0044005	118-086
46	Coupling Key (3/8" sq. x 2 1/2" Lg.)	1A & 2	0002219	-	0002219	-	0002219	-
* 49	Lip Seal - (For Item 37)	1B	0060300	-	0060300	-	-	-
	Lip Seal - (For Item 37)	1A	0073275	-	0073275	-	-	-
51	Grease Retainer - C.I.	1B	0092407	120-781	0092407	120-781	0092407	120-781
	Grease Retainer - C.I.	1A & 2	0044007	118-087	0044007	118-087	0044007	118-087
69	Bearing Lockwasher	1A & 2	0007148	-	0007148	-	0007148	-
- 171	Bearing Adapter - Bronze	2	0044011	118-088	0044011	118-088	0044011	118-088
* 202	Snap Ring - (For Item 18)	2	0039933	-	0039933	-	0039933	-

++ Frame (Item 19) Is Design 2 in not available for replacement. All other parts in Design 2 are available. For replacement of frame (Item 19) In Design 2 specify frame assembly (Item 19) In Design 1A which includes frame, shaft, bearing, etc. from the chart on page 257.

- Bearing Adapter (Item 171) Is not required with current frame assembly design (Design 1A).

* Recommended Spare Parts

SECTION 95
PAGE 256
DATE 2/15

CRANE
A Crane Co. Company

PUMPS & SYSTEMS

USA: (937) 778-8947 • Canada: (905) 457-6223 • International: (937) 615-3598

Frame Assembly Parts									
Item No.	Figure	Name and Description	Design	7156		7166		7196	
				Part No.	Dwg. No.	Part No.	Dwg. No.	Part No.	Dwg. No.
204		Adjusting Locknut - (For Item 286) Adjusting Locknut - (For Item 171)	1A & 1B 2	0001168 0003222	- -	0001168 0003222	- -	0001168 0003222	- -
* 205		Adjusting Washer - (For Item 204)	2	0002862	-	0002862	-	0002862	-
207		Grease Fitting - (For Item 16)	ALL	0003131	-	0003131	-	0003131	-
211		Set Screw - 1/4" x 3/8" (For Item 40)	ALL	0003047	-	0003047	-	0003047	-
213		Cap Screw - 3/8" x 1 1/4" (For Item 37) Cap Screw - 3/8" x 1 1/4" (For Item 37)	1A & 1B 2	0000406 0000402	3 Req'd 4 Req'd	0000406 0000402	3 Req'd 4 Req'd	0000406 0000402	3 Req'd 4 Req'd
* 232		"O" Ring - Oil Lube (For Item 33)	1A	-	-	0039938	-	-	-
* 233		Gasket - Oil Lube (For Item 37) Gasket - Oil Lube (For Item 37)	1A & 1B 2	- -	- -	0095854 0044013	- -	- -	- -
234		Trico Lubricator - Oil Lube (2 oz.)	ALL	-	-	0057697	-	-	-
235		Alemite Breather - Oil Lube (1/2")	ALL	-	-	0039022	-	-	-
236		Pipe Plug - 1/4" (For Item 19)	ALL	0002009	-	0002009	-	0002009	-
237		Pipe Plug - Oil Lube 1/8" (For Item 19)	ALL	-	-	0002553	-	-	-
238		Pipe Plug - Oil Lube 1/8" (For Item 37)	ALL	-	-	0002553	-	-	-
241		Cap Screw - Motor (For Frame 182TC-256TC) Cap Screw - Motor (For Frame 324TSC-326TSC)	ALL ALL	- -	- -	- -	- -	0000432 0000452	4 Req'd 4 Req'd
242		Grease Fitting - (For Item 37)	ALL	0003131	-	0003131	-	0003131	-
286		Jack Screw - 3/8" x 2 1/4" (All Thread)	1A & 1B	0084880	3 Req'd	0084880	3 Req'd	0084880	3 Req'd
* 292		"O" Ring - Oil Lube (For Item 19) "O" Ring - Oil Lube (For Item 19)	1A & 1B 2	- -	- -	0095851 0044013	- -	- -	- -
332		Cap Screw - 3/8" x 3/4" (For Item 37 to 33)	1A & 1B	0000395	2 Req'd	0000395	2 Req'd	0000395	2 Req'd

* Recommended Spare Parts

Item 19 - Frame Assemblies - Design 1A			
Figure	Name and Description	Part No.	Motor Frame
7156	Grease Lube with 416 SS Shaft Sleeve	0091173	-
	Grease Lube with 316 SS Shaft Sleeve	0091174	-
	Grease Lube with 440C SS Shaft Sleeve	0091175	-
7166	Grease Lube with 416 SS Shaft Sleeve	0091179	-
	Grease Lube with 316 SS Shaft Sleeve	0091180	-
	Grease Lube with 440C SS Shaft Sleeve	0091181	-
	Grease Lube with 416 SS Shaft Sleeve	0091182	-
	Grease Lube with 316 SS Shaft Sleeve	0091183	-
	Grease Lube with 440C SS Shaft Sleeve	0091184	-
7196	Grease Lube with 416 SS Shaft Sleeve	0091200	182TC - 215TC
	Grease Lube with 316 SS Shaft Sleeve	0091201	182TC - 215TC
	Grease Lube with 440C SS Shaft Sleeve	0091202	182TC - 215TC
	Grease Lube with 416 SS Shaft Sleeve	0091203	254TC - 256TC
	Grease Lube with 316 SS Shaft Sleeve	0091204	254TC - 256TC
	Grease Lube with 440C SS Shaft Sleeve	0091205	254TC - 256TC
	Grease Lube with 416 SS Shaft Sleeve	0091206	284TC - 286TC
	Grease Lube with 316 SS Shaft Sleeve	0091207	284TC - 286TC
	Grease Lube with 440C SS Shaft Sleeve	0091208	284TC - 286TC
	Grease Lube with 416 SS Shaft Sleeve	0091212	324TSC - 365TSC
	Grease Lube with 316 SS Shaft Sleeve	0091213	324TSC - 365TSC
	Grease Lube with 440C SS Shaft Sleeve	0091214	324TSC - 365TSC

Refer to Page 256. For additional information on frame designs.

Parts for Fig. 7100

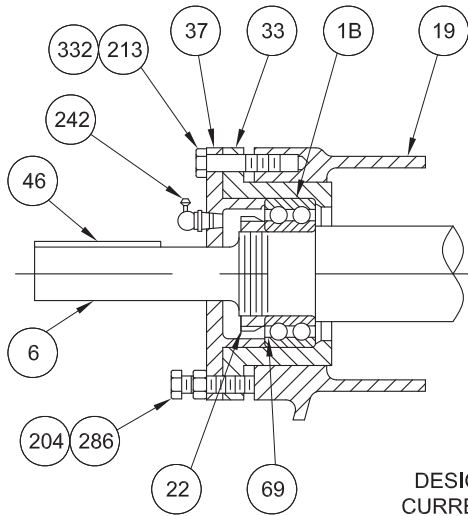
Industrial Section 45

Bulletin 95

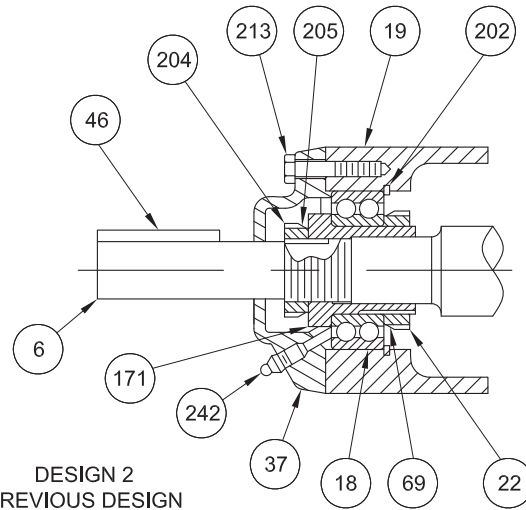
DEMING®

www.cranepumps.com

Repair Parts



DESIGN 1A & 1B
CURRENT DESIGN



DESIGN 2
PREVIOUS DESIGN

Frame Assembly Parts								
Figure		7156H		7166H		7196H		
Item No.	Name and Description	Design	Part No.	Dwg. No.	Part No.	Dwg. No.	Part No.	Dwg. No.
* 16	Inboard Ball Bearing - Grease Lube Inboard Ball Bearing - Oil Lube	ALL ALL	0065233 -	- -	0065233 0065233	- -	0065233 -	- -
* 18	Outboard Ball Bearing - Grease or Oil Lube	ALL	0039935	-	0039935	-	0039935	-
++ 19	C.I. Frame - Grease Lube	1A	0084972	5228	0084973	5229	-	-
	C.I. Frame - Grease Lube	2	0043852	5217	0043850	5216	-	-
	C.I. Frame - Grease Lube (Motor Frame 284TC-286TC)	1A	-	-	-	-	0084733	41769
	C.I. Frame - Grease Lube (Motor Frame 284TC-286TC)	2	-	-	-	-	0045446	41234
	C.I. Frame - Grease Lube (Motor Frame 324TSC-405TSC)	1A	-	-	-	-	0084734	41770
	C.I. Frame - Grease Lube (Motor Frame 324TSC-405TSC)	2	-	-	-	-	0045448	41235
	C.I. Frame - Oil Lube	1A	-	-	0084974	5229	-	-
C.I. Frame - Oil Lube	2	-	-	0043850	5216	-	-	
22	Bearing Locknut - Steel	ALL	0039937	-	0039937	-	0039937	-
33	Bearing Housing - C.I. Grease Lube	1A	0084968	28083	0084968	28083	0084968	28083
	Bearing Housing - C.I. Oil Lube	1A	-	-	0086711	28083	-	-
37	Bearing Cover - C.I. Grease Lube	1A	0087823	28084	0084970	28084	0084970	28084
	Bearing Cover - C.I. Grease Lube	2	0044644	26851	0044644	26851	0044644	26851
	Bearing Cover - C.I. Oil Lube	1A	-	-	0087823	28084	-	-
	Bearing Cover - C.I. Oil Lube	2	-	-	0044644	26851	-	-
40	Deflector - Bronze	ALL	0064892	119-048	0064892	119-048	0064892	119-048
46	Coupling Key - (3/8" Sq. x 2 1/2" Lg.)	ALL	0002219	-	0002219	-	0002219	-
* 49	Lip Seal - (For Item 37)	1A	0060300	-	0073275	-	-	-
51	Grease Retainer - C.I.	ALL	0071617	119-208	0071617	119-208	0071617	119-208
69	Bearing Lockwasher	1A & 2	0007148	-	0007148	-	0007148	-
- 171	Bearing Adapter - Bronze	2	0044011	118-088	0044011	118-088	0044011	118-088
* 202	Snap Ring - (For Item 18)	2	0039933	-	0039933	-	0039933	-
204	Adjusting Locknut - (For Item 286)	1A	0001168	-	0001168	-	0001168	-
	Adjusting Locknut - (For Item 171)	2	0003222	-	0003222	-	0003222	-
205	Adjusting Nut Washer - (For Item 204)	2	0002862	-	0002862	-	0002862	-
207	Grease Fitting - (For Item 16)	ALL	0003131	-	0003131	-	0003131	-
211	Set Screw - (For Item 40)	ALL	0003074	-	0003074	-	0003074	-

++ Frame (Item 19) In Design 2 is not available for replacement. All other parts in Design 2 are Available. For replacement of Frame (Item 19) In Design 2 specify Frame Assembly (Item 19) In Design 1A which includes frame, shaft, bearing, etc. from the chart on page 259.

- Bearing Adapter (Item 171) in Not Required with current frame assembly design (Design 1A).

* Recommended Spare Parts

SECTION 95
PAGE 258
DATE 2/15

CRANE
®

PUMPS & SYSTEMS

A Crane Co. Company

USA: (937) 778-8947 • Canada: (905) 457-6223 • International: (937) 615-3598

Repair Parts

Frame Assembly Parts									
Item No.	Figure	Name and Description	Design	7155H		7165H		7195H	
				Part No.	Dwg. No.	Part No.	Dwg. No.	Part No.	Dwg. No.
213		Cap Screw - 3/8" x 1 1/4" (For Item 37)	1A	0000406	3 Req'd	0000406	3 Req'd	0000406	3 Req'd
		Cap Screw - 3/8" x 1 1/4" (For Item 37)	2	0000402	4 Req'd	0000402	4 Req'd	0000402	4 Req'd
* 232		"O" Ring - Oil Lube (For Item 33)	1A	-	-	0039938	-	-	-
* 233		Gasket - Oil Lube (For Item 37)	1A	-	-	0095854	-	-	-
		Gasket - Oil Lube (For Item 37)	2	-	-	0044013	-	-	-
234		Trico Lubricator - Oil Lube (2 oz.)	ALL	-	-	0057697	-	-	-
235		Alemite Breather - Oil Lube (1/2")	ALL	-	-	0039022	-	-	-
236		Pipe Plug - 1/4" (For Item 19)	ALL	0002009	-	0002009	-	0002009	-
237		Pipe Plug - Oil Lube 1/8" (For Item 19)	ALL	-	-	0002553	-	-	-
238		Pipe Plug - Oil Lube 1/8" (For Item 37)	ALL	-	-	0002553	-	-	-
241		Cap Screw - Motor (For Frame 182TC-256TC)	ALL	-	-	-	-	0000432	4 Req'd
		Cap Screw - Motor (For Frame 324TSC-326TSC)	ALL	-	-	-	-	0000452	4 Req'd
242		Grease Fitting - (For Item 37)	ALL	0003131	-	0003131	-	0003131	-
286		Jack Screw - 3/8" x 2 1/4" (All Thread)	1A	0084880	3 Req'd	0084880	3 Req'd	0084880	3 Req'd
* 292		"O" Ring - Oil Lube (For Item 19)	1A	-	-	0095851	-	-	-
		"O" Ring - Oil Lube (For Item 19)	2	-	-	0044013	-	-	-
332		Cap Screw - 3/8" x 3/4" (For Item 37 to 33)	1A	0000395	2 Req'd	0000395	2 Req'd	0000395	2 Req'd

* Recommended Spare Parts
For Prices refer to current Parts Price List.

Item 19 - Frame Assemblies - Design 1A			
Figure	Name and Description	Part No.	Motor Frame
7156H	Grease Lube with 416 SS Shaft Sleeve	0085143	-
	Grease Lube with 316 SS Shaft Sleeve	0085144	-
	Grease Lube with 440C SS Shaft Sleeve	0085145	-
7166H	Grease Lube with 416 SS Shaft Sleeve	0085211	-
	Grease Lube with 316 SS Shaft Sleeve	0085212	-
	Grease Lube with 440C SS Shaft Sleeve	0085213	-
	Oil Lube with 416 SS Shaft Sleeve	0085215	-
	Oil Lube with 316 SS Shaft Sleeve	0085216	-
	Oil Lube with 440C SS Shaft Sleeve	0085217	-
7196H	Grease Lube with 416 SS Shaft Sleeve	0085185	284TC - 286TC
	Grease Lube with 316 SS Shaft Sleeve	0085186	284TC - 286TC
	Grease Lube with 440C SS Shaft Sleeve	0085187	284TC - 286TC
	Grease Lube with 416 SS Shaft Sleeve	0085191	324TSC - 365TSC
	Grease Lube with 316 SS Shaft Sleeve	0085192	324TSC - 365TSC
	Grease Lube with 440C SS Shaft Sleeve	0085193	324TSC - 365TSC
	Grease Lube with 416 SS Shaft Sleeve	0085194	404TSC - 405TSC
	Grease Lube with 316 SS Shaft Sleeve	0085195	404TSC - 405TSC
	Grease Lube with 440C SS Shaft Sleeve	0085196	404TSC - 405TSC

Refer to Page 258. For additional information on frame designs.

Repair Parts

Frame Assembly Parts							
Figure		7157		7167		7197	
Item No.	Name and Description	Part No.	Dwg. No.	Part No.	Dwg. No.	Part No.	Dwg. No.
* 16	Inboard Ball Bearing - Grease Lube	0089984	-	0089984	-	0089984	-
* 18	Outboard Ball Bearing - Grease Lube	0089983	-	0089983	-	0089983	-
19	C.I. Frame - Grease Lube	0109832	42296	0109774	42296	0109832	42296
22	Bearing Locknut - Steel	0039993	-	0039993	-	0039993	-
33	Bearing Housing - Outboard	0069995	28434	0089995	28434	0089995	28434
35	Bearing Cover - Inboard	0109779	29700	0109779	29700	0109779	29700
37	Bearing Cover - Outboard	0089993	28433	0089993	28433	0089993	28433
40	Deflector	0110013	-	0110013	-	0110013	-
46	Coupling Key - Square	0004188	114-932	0004188	114-932	0004188	114-932
* 47	Lip Seal - Buna (For Item 35)	0080952	-	0080952	-	0080952	-
* 49	Lip Seal - Buna (For Item 37)	0092003	-	0092003	-	0092003	-
69	Bearing Lock Washer	0039991	-	0039991	-	0039991	-
71	Motor Adapter - Frame 254TC - 256TC	-	-	-	-	0109835	42310
	Motor Adapter - Frame 284TC - 286TC	-	-	-	-	0109834	42309
	Motor Adapter - Frame 324TSC - 326TSC	-	-	-	-	0109833	42308
201	Cap Screw - (2 Req'd)	0000439	-	000439	-	0000439	-
203	Name Plate	0006406	-	0006406	-	0006406	-
204	Adjusting Locknut - (4 Req'd)	0001179	-	0001179	-	0001179	-
207	Grease Fitting - (For Item 19)	0079332	-	0079332	-	0079332	-
213	Cap Screw - (For Item 37 - 4 Req'd)	0000441	-	0000441	-	0000441	-
214	Drive Screw - (2 Req'd)	0001146	-	0001146	-	0001146	-
219	Cap Screw - (For Item 35 to 19 - 4 Req'd)	0000431	-	0000431	-	0000431	-
241	Cap Screw - (For Item 71 to Motor - 4 Req'd)	-	-	-	-	0000432	-
242	Grease Fitting - (For Item 37)	0079332	-	0079332	-	0079332	-
273	Frame Foot - Front	-	-	0109810	35722	-	-
274	Frame Foot - Rear	-	-	0083361	34397	-	-
275	Eye Bolt	-	-	0081344	-	-	-
276	Cap Screw - (For Item 273 - 2 Req'd)	-	-	0000452	-	-	-
277	Cap Screw - (For Item 274 - 2 Req'd)	-	-	0000452	-	-	-
286	Jack Screw - (4 Req'd)	0092004	-	0092004	-	0092004	-
290	Cap Screw - (For Item 71 to 19 - 8 Req'd)	-	-	-	-	0081538	-
332	Cap Screw - (For Item 37 to 33 - 2 Req'd)	0000431	-	0000431	-	0000431	-

* Recommended Spare Parts

Repair Parts

Frame Assembly Parts							
Figure		7158		7168		7198	
Item No.	Name and Description	Part No.	Dwg. No.	Part No.	Dwg. No.	Part No.	Dwg. No.
* 16	Inboard Ball Bearing - Grease Lube	0080382	-	0080382	-	0080382	-
* 18	Outboard Ball Bearing - Grease Lube	0080383	-	0080383	-	0080383	-
19	C.I. Frame - Grease Lube	0088488	41878	0084553	41647	0082727	41548
22	Bearing Locknut - Steel	0080384	-	0080384	-	0080384	-
33	Bearing Housing - Outboard	0084559	27783	0084559	27783	0084559	27783
35	Bearing Cover - Inboard	0084570	28006	0084570	28008	0084570	28006
37	Bearing Cover - Outboard	0084561	27784	0084561	27784	0084561	27784
40	Deflector	0088679	120-322	0088679	120-322	0088679	120-322
46	Coupling Key - Square (5/8" X 3" Lg.)	0002256	-	0002256	-	0002256	-
* 47	Lip Seal - Buna (For Item 35)	0088663	-	0088663	-	0088663	-
* 49	Lip Seal - Buna (For Item 37)	0080381	-	0080381	-	0080381	-
51	Grease Retainer	0084573	28007	0084573	28007	0084573	28007
69	Bearing Lock Washer	0080386	-	0080385	-	0080385	-
71	Motor Adapter - Frame 254TC - 256TC	-	-	-	-	0081593	34810
	Motor Adapter - Frame 284TC - 286TC	-	-	-	-	0081595	34181
	Motor Adapter - Frame 324TSC - 405TSC	-	-	-	-	0092096	34629
	Motor Adapter - Frame 444TSC - 445TSC	-	-	-	-	0082709	34197
203	Name Plate	0006406	-	0006406	-	0006406	-
204	Adjusting Locknut	0001179	-	0001179	-	0001179	-
207	Grease Fitting - (For Item 19 - 1/4")	0002640	-	0002640	-	0002640	-
211	Set Screw - (For Item 40 - 2 Req'd)	0003743	-	0003743	-	0003743	-
213	Cap Screw - (For Item 37 - 4 Req'd)	0000439	-	0000439	-	0000439	-
214	Drive Screw - (For Item 203 - 2 Req'd)	0001146	-	0001146	-	0001146	-
219	Cap Screw - (For Item 35 - 4 Req'd)	0003804	-	0003804	-	0003804	-
242	Grease Fitting - (For Item 37 - 1/4")	0002640	-	0002640	-	0002640	-
274	Frame Foot - C.I.	-	-	0082715	34300	-	-
275	Eye Bolt	0036326	-	0036326	-	0036326	-
277	Cap Screw - (For Item 274 - 2 Req'd)	-	-	0000452	-	-	-
286	Jack Screw - (4 Req'd)	0080954	-	0080954	-	0080954	-
290	Cap Screw - (For Item 71 to 19 - 4 Req'd)	-	-	-	-	0000467	-
332	Cap Screw - (For Item 37 to 33 - 2 Req'd)	0000431	-	0000431	-	0000431	-

* Recommended Spare Parts

Item 19 - Frame Assemblies - Design 1A			
Figure	Name & Description	Product Number	Motor Frame
7156H	Grease Lube with 416 SS Shaft Sleeve	0085143	-
	Grease Lube with 3416 SS Shaft Sleeve	0085144	-
	Grease Lube with 440C SS Shaft Sleeve	0085145	-
7166H	Grease Lube with 416 SS Shaft Sleeve	0085211	-
	Grease Lube with 3416 SS Shaft Sleeve	0085212	-
	Grease Lube with 440C SS Shaft Sleeve	0085213	-
	Oil Lube with 416 SS Shaft Sleeve	0085215	-
	Oil Lube with 3416 SS Shaft Sleeve	0085216	-
	Oil Lube with 440C SS Shaft Sleeve	0085217	-
7196H	Grease Lube with 416 SS Shaft Sleeve	0085185	284TC - 286TC
	Grease Lube with 3416 SS Shaft Sleeve	0085186	284TC - 286TC
	Grease Lube with 440C SS Shaft Sleeve	0085187	284TC - 286TC
	Grease Lube with 416 SS Shaft Sleeve	0085191	324TSC - 365TSC
	Grease Lube with 3416 SS Shaft Sleeve	0085192	324TSC - 365TSC
	Grease Lube with 440C SS Shaft Sleeve	0085193	324TSC - 365TSC
	Grease Lube with 416 SS Shaft Sleeve	0085194	404TSC - 405TSC
	Grease Lube with 3416 SS Shaft Sleeve	0085195	404TSC - 405TSC
	Grease Lube with 440C SS Shaft Sleeve	0085196	404TSC - 405TSC

Refer to Page 260 for additional information on frame designs



Repair Parts

Frame Assembly Parts							
Figure		7159		7169		7199	
Item No.	Name and Description	Part No.	Dwg. No.	Part No.	Dwg. No.	Part No.	Dwg. No.
* 16	Inboard Roller Bearing - Grease Lube	0080955	-	0080955	-	0080955	-
* 18	Outboard Ball Bearing - Grease Lube	0080956	-	0080956	-	0080956	-
19	C.I. Frame - Grease Lube	0089602	41917	0080947	41625	0083167	41545
22	Bearing Locknut - Steel	0080957	-	0080957	-	0080957	-
33	Bearing Housing - Outboard	0081448	27770	0081448	27770	0081448	27770
35	Bearing Cover - Inboard	0081446	27945	0081446	27945	0081446	27945
37	Bearing Cover - Outboard	0080934	27771	0080934	27771	0080934	27771
40	Deflector - C.I.	0088681	120-323	0088681	120-323	0088681	120-323
46	Coupling Key - Square (3/4" x 3 1/2")	0080962	-	0080962	-	0080962	-
* 47	Lip Seal - Buna (For Item 35)	0080953	-	0080953	-	0080953	-
* 49	Lip Seal - Buna (For Item 37)	0080952	-	0080952	-	0080952	-
51	Grease Retainer	0081720	27962	0081720	27962	0081720	27962
69	Bearing Lock Washer	0080385	-	0080385	-	0080385	-
71	Motor Adapter - Frame 254TC - 256TC	-	-	-	-	0081593	34810
	Motor Adapter - Frame 284TC - 286TC	-	-	-	-	0081595	34181
	Motor Adapter - Frame 324TSC - 405TSC	-	-	-	-	0081597	34190
	Motor Adapter - Frame 444TSC - 445TSC	-	-	-	-	0082709	34197
203	Name Plate	0006406	-	0006406	-	0006406	-
204	Adjusting Locknut	0002638	-	0002638	-	0002638	-
207	Grease Fitting - (For Item 19 - 1/4")	0002640	-	0002640	-	0002640	-
211	Sey Screw - (For Item 40 - 2 Req'd)	0003743	-	0003743	-	0003743	-
213	Cap Screw - (For Item 37 - 4 Req'd)	0000453	-	0000453	-	0000453	-
214	Drive Screw - (For Item 203 - 2 Req'd)	0001146	-	0001146	-	0001146	-
219	Cap Screw - (For Item 35 - 4 Req'd)	0000397	-	0000397	-	0000397	-
242	Grease Fitting - (For Item 37 - 1/4")	0002640	-	0002640	-	0002640	-
274	Frame Foot - C.I.	-	-	0080939	34252	-	-
275	Eye Bolt	0081344	-	0081344	-	0081344	-
277	Cap Screw - (For Item 274 - 2 Req'd)	-	-	0000472	-	-	-
286	Jack Screw - (4 Req'd)	0081663	-	0081663	-	0081663	-
290	Cap Screw - (For Item 71 to 19 - 4 Req'd)	-	-	-	-	0000467	-
332	Cap Screw - (For Item 37 to 33 - 4 Req'd)	0000431	-	0000431	-	0000431	-

* Recommended Spare Parts

Repair Parts

Packing Box Cover (Item 11) and Parts - with Packing							
	Figure	7153 - 7163 - 7193		7155 - 7165 - 7195		7156 - 7166 - 7196	
Item	Name and Description	Part No.	Dwg. No.	Part No.	Dwg. No.	Part No.	Dwg. No.
11	Packing Box Cover - C.I. (Standard) Packing Box Cover - Except Pump Code 2056	0044619 0044733	26840 26881	0045022 -	33308 -	0045241 -	33396 -
* 13	Stuffing Box Packing - (5 Req'd)	0030713	-	0035045	-	0040031	-
17	Split Gland - C.I. or 4140 STL Split Gland - Bronze or 316 SS	0057000 -	118-075 -	0043731 0043735	117-913 117-913	131366 131367	118-085A 118-085A
29	Lantern Ring - Half - Teflon (2 Req'd) Lantern Ring - Bronze Lantern Ring - Cast Iron	0076639 - 0043960	119-511 - 118-074	0076642 - 0043740	119-511 - 117-915	0076643 - 0043998	119-511 - 118-084
206	Gland Clip - 316 SS (2 Req'd)	0047657	117-918	0047657	117-918	0044046	118-099
208	Pipe Plug - (For Item 11)	0002553	-	0002553	-	0002553	-
209	Machine Bolt - (For Item 17)	0003717	-	0003717	-	0002534	-
210	Hex Nut - (For Item 209)	0000113	-	0000113	-	0001168	-
239	Stud - (For Item 11)	0000524	-	-	-	-	-
243	Grease Fitting - (For Item 11)	0003131	-	0003131	-	0003131	-
249	Hex Nut - (For Item 239)	0001166	-	-	-	-	-
271	Pipe Plug - (For Item 11)	0002009	-	0002009	-	0002009	-

Packing Box Cover (Item 11) and Parts - with Packing					
	Figure	7156H - 7166H - 7196H		7157 - 7167 - 7197	
Item	Name and Description	Part No.	Dwg. No.	Part No.	Dwg. No.
11	Packing Box Cover - C.I. (Standard) Packing Box Cover - Except Pump Code 2056	0064916 -	33785 -	0109786 -	42299 -
* 13	Stuffing Box Packing - (5 Req'd)	0065620	-	0109792	-
17	Split Gland - C.I. (Standard) Split Gland - Bronze	0064896 0064897	119-050 119-050	0109788 -	29702 -
29	Lantern Ring - Half - Teflon (2 Req'd) Lantern Ring - Bronze Lantern Ring - Cast Iron	- 0064900 0064898	- 119-051 119-051	0109679 - -	119-511 - -
** 206	Gland Clip - 316 SS (2 Req'd)	0044046	118-099	0081682	119-836
208	Pipe Plug - (For Item 11)	0002553	-	0006223	-
209	Machine Bolt - (For Item 17)	0002534	-	0000594	-
210	Hex Nut - (For Item 209)	0001168	-	0001179	-
239	Stud - (For Item 11)	0000586	-	-	-
243	Grease Fitting - (For Item 11)	0003131	-	0080964	-
249	Hex Nut - (For Item 239)	0001179	-	-	-
271	Pipe Plug - (For Item 11)	0002009	-	-	-

Packing Box Cover (Item 11) and Parts - with Packing							
	Figure	7158, 7168, 7198, 7159, 7169, 7199					
		15" Dia. Impeller		19" Dia. Impeller		23" Dia. Impeller	
Item	Name and Description	Part No.	Dwg. No.	Part No.	Dwg. No.	Part No.	Dwg. No.
11	Packing Box Cover - C.I. (Standard)	0084542	34281	0084713	34285	0080941	34251
* 13	Stuffing Box Packing - (5 Req'd)	0091018	-	0091018	-	0080966	-
17	Split Gland - C.I. (Standard) Split Gland - Bronze	0084549 0084552	27787 27787	0084549 0084552	27787 27787	0081470 0099103	27773 27773
29	Lantern Ring - Cast Iron	0084555	27870	0084555	27870	0080951	27941
206	Gland Clip - 316 SS (2 Req'd)	0044046	118-099	0044046	118-099	0081682	119-836
208	Pipe Plug - (For Item 11 - 1/2")	0006224	-	0006224	-	0006224	-
209	Stud - (For Item 17 - 2 Req'd)	0000529	3/8" x 2 1/2"	0000529	3/8" x 2 1/2"	0000594	1/2" x 3 1/2"
210	Hex Nut - (For Item 209 - 2 Req'd)	0001168	-	0001168	-	0001179	-
243	Grease Fitting - (For Item 11)	0003131	-	0003131	-	0002640	-
271	Pipe Plug - (For Item 11)	0006224	-	0006224	-	0006224	-
334	Cap Screw - (For Item 11 - Item 1 - Item 19) 7160 & 7190 Cap Screw - (For Item 11 - Item 1 - Item 19) 7150	0000470 0000475	- -	0000475 0000476	- -	0000488 0000489	- -

* Recommended Spare Parts

** Previous Part Numbers 0044000, 0044004, 0068481, 0068478 used clip 0044046
New Part Numbers 131366 and 131367 DO NOT use clip 0044046



A Crane Co. Company

PUMPS & SYSTEMS

USA: (937) 778-8947 • Canada: (905) 457-6223 • International: (937) 615-3598

SECTION 95
PAGE 263
DATE 10/10

Repair Parts

Packing Box Cover (Item 11) and Parts - with Mechanical Seal

Item	Figure Name and Description	7153 - 7163 - 7193		7155 - 7165 - 7195		7156 - 7166 - 7196	
		Part No.	Dwg. No.	Part No.	Dwg. No.	Part No.	Dwg. No.
11	Packing Box Cover - C.I. (Standard) Packing Box Cover - Except Pump Code 2056	0044619 0044733	26840 26881	0045022 -	33308 -	0045241 -	33396 -
* 89	Mechanical Seal - Crane Type 1 (Code BF2C1) Mechanical Seal - Crane Double (Code BF1C1)	0045935 0040684	1¼" 1¼"	0045936 0045938	1¾" 1¾"	0045937 0043483	2½" 2½"
208	Pipe Plug - ¼" (For Item 11)	0002553	-	0002553	-	0002553	-
210	Hex Nut - (For Item 281)	0000113	-	0000113	-	0001168	-
239	Stud - (For Item 11)	0000524	-	-	-	-	-
249	Hex Nut - (For Item 239)	0001168	-	-	-	-	-
251	Seal Gland	0064932	118-207	0064930	118-181	0065173	118-145
* 259	Seal Gland Gasket	0066339	-	0066338	-	0044443	-
271	Pipe Plug - (For Item 11)	0002009	-	0002009	-	0002009	-
281	Machine Bolt - (For Item 251 - 2 Req'd)	0003717	-	0003717	-	0002534	-

Packing Box Cover (Item 11) and Parts - with Mechanical Seal

Item	Figure Name and Description	7156H - 7166H - 7196H		7157 - 7167 - 7197	
		Part No.	Dwg. No.	Part No.	Dwg. No.
11	Packing Box Cover - C.I. (Standard) Packing Box Cover - Except Pump Code 2056	0064916 -	33785 -	0109786 -	42299 -
* 89	Mechanical Seal - Crane Type 1 (Code BF2C1) Mechanical Seal - Crane Double (Code BF1C1)	0068385 -	2¼" -	0110078 0110077	3" 3"
208	Pipe Plug - ¼" (For Item 11)	0002553	-	0006223	-
210	Hex Nut - (For Item 281)	0001168	-	0001179	-
239	Stud - (For Item 11)	0000586	-	-	-
249	Hex Nut - (For Item 239)	0001179	-	-	-
251	Seal Gland	0068314	119-147	0109804	29706
* 259	Seal Gland Gasket	0068387	-	0110076	116-040
271	Pipe Plug - (For Item 11)	0002009	-	-	-
281	Machine Bolt - (For Item 251 - 2 Req'd)	0002534	-	-	-

Packing Box Cover (Item 11) and Parts - with Mechanical Seal

Item	Figure Name and Description	7158, 7168, 7198, 7159, 7169, 7199					
		15" Dia. Impeller		19" Dia. Impeller		23" Dia. Impeller	
		Part No.	Dwg. No.	Part No.	Dwg. No.	Part No.	Dwg. No.
11	Packing Box Cover - C.I. (Standard)	0084542	34281	0084713	34285	0080941	34251
14	Shaft Sleeve - 416 SS	0089226	28323	0089226	28323	0089228	28326
* 89	Mechanical Seal - Crane Type 1 (Code BF2C1) Mechanical Seal - Crane Double (Code BF1C1)	0088205 -	- -	0088205 -	- -	- 0088213	- -
208	Pipe Plug - ½" (For Item 11)	0006224	-	0006224	-	0006224	-
209	Screw Cap - (For Item 251 to 11)	0000404	-	0000404	-	0000432	-
251	Seal Gland	0088528	28324	0088528	28324	0088541	28327
* 259	Seal Gland Gasket	0007489	-	0007489	-	-	-
271	Pipe Plug - ½" (For Item 11)	0006224	-	0006224	-	0006224	-
334	Cap Screw - (For Item 11 to Item 1) 7160 and 7190 Cap Screw - (For Item 11 to Item 1) 7150	0000440 0000440	- -	0000475 0000476	- -	0000488 0000489	- -
	Seal Drive Ball	0099897	-	0099897	-	0099897	-

* Recommended Spare Parts

Repair Parts

Base and Suction Elbow Parts 7153 - 7155 - 7156 - 7156H - 7193 - 7195 - 7196 - 7196H							
	Figure	2" Suction		3" Suction		4" Suction	
Item	Name and Description	Part No.	Dwg. No.	Part No.	Dwg. No.	Part No.	Dwg. No.
53	Base - C.I.	0045450	41236	0045860	41214	0045860	41214
57	Suction Elbow - Standard C.I.	0045120	33355	0045124	33356	0045058	33320
	Suction Elbow - Long Inlet, C.I. (4" x 4")	-	-	-	-	0071821	33879
	Suction Elbow - Long Inlet, C.I. (6" x 4")	-	-	-	-	0071817	33880
* 220	"O" Ring - Buna "N" (For Item 223)	0000163	111-279	0000166	111-279	0035052	111-279
221	Cap Screw - Steel (For Item 53 - 4 Req'd)	0000406	3/8" x 1 1/4"	0000406	3/8" x 1 1/4"	0000406	3/8" x 1 1/4"
223	Handhole Cover - C.I.	0043719	117-910	0043727	117-912	0043723	117-911
224	Cap Screw - Steel (For Item 223 - 2 Req'd)	0000397	3/8" x 1"	0000397	3/8" x 1"	0000432	1/2" x 1 1/4"
226	Cap Screw - Steel (For Item 57)	0000451	5/8" x 1 1/2"	0000452	5/8" x 1 1/2"	0000453	5/8" x 1 1/4"
* 227	Suction Elbow Gasket - Rubber (For Item 57)	0007272	113-646	0007200	113-646	0007201	113-646
229	Washer - (For Item 221 - 4 Req'd)	0000277	-	0000277	-	0000277	-

Base and Suction Elbow Parts 7153 - 7155 - 7156 - 7156H - 7193 - 7195 - 7196 - 7196H					
	Figure	6" Suction		8" Suction	
Item	Name and Description	Part No.	Dwg. No.	Part No.	Dwg. No.
53	Base - C.I.	0045461	41242	0045562	
57	Suction Elbow - Standard C.I.	0045128	33357	0045329	
* 220	"O" Ring - Buna "N" (For Item 223)	0040030	111-279	0040844	111-279
221	Cap Screw - Steel (For Item 53 - 4 Req'd)	0000443	1/2" x 2 3/4"	0000443	1/2" x 2 3/4"
223	Handhole Cover - C.I.	0043987	118-081	0044232	118-081
224	Cap Screw - Steel (For Item 223 - 2 Req'd)	0000452	5/8" x 1 1/2"	0000470	3/4" x 1 1/4"
226	Cap Screw - Steel (For Item 57 - 8 Req'd)	0000470	3/4" x 1 1/4"	0000472	3/4" x 2"
* 227	Suction Elbow Gasket - Rubber (For Item 57)	0007203	113-646	0007274	113-646
229	Washer - (For Item 221 - 4 Req'd)	0000283	-	0000283	-

Base and Suction Elbow Parts 7157 - 7197					
	Figure	6" Suction		8" Suction	
Item	Name and Description	Part No.	Dwg. No.	Part No.	Dwg. No.
53	Base - C.I.	0045526	41278	0045562	41278
57	Suction Elbow - Standard C.I.	0045128	33357	0045329	33457
* 220	"O" Ring - Buna "N" (For Item 223)	0040030	111-279	0040844	111-279
221	Cap Screw - Steel (For Item 53 - 4 Req'd)	0011413	1/2" x 4"	0011413	1/2" x 4"
223	Handhole Cover - C.I.	0043987	118-081	0044232	118-194
224	Cap Screw - Steel (For Item 223 - 2 Req'd)	0000452	5/8" x 1 1/2"	0000470	3/4" x 1 1/4"
226	Cap Screw - Steel (For Item 57 - 8 Req'd)	0000470	3/4" x 1 1/4"	0000472	3/4" x 2"
* 227	Suction Elbow Gasket - Rubber (For Item 57)	0007203	113-646	0007274	113-646
229	Washer - (For Item 221 - 4 Req'd)	0026150	-	0026150	-
230	Hex Nut - (For Item 221)	0001179	-	0001179	-
231	Pipe Plug - 1/4"	0002009	-	0002009	-

* Recommended Spare Parts

Repair Parts

Base and Suction Elbow Parts 7158 - 7198							
Item	Figure Name and Description	6" Suction		8" Suction		10" Suction	
		Part No.	Dwg. No.	Part No.	Dwg. No.	Part No.	Dwg. No.
53	Base - C.I.	0045562	41278	0082532	41638	0082532	41638
57	Suction Elbow - Standard C.I.	0045128	33357	0085131	34399	0082528	41712
220	"O" Ring - Buna "N" (For Item 223)	0040030	111-279	0040844	111-279	0000186	111-279
221	Stud - (4 Req'd)	0011413	½" x 4"	0000654	¾" x 5¼"	-	-
	Cap Screw - 15" Impeller (4 Req'd)	-	-	-	-	0018248	¾" x 4"
	Cap Screw - 19" Impeller (4 Req'd)	-	-	0018249	¾" x 4½"	0018249	¾" x 4½"
223	Handhole Cover - C.I.	0043987	118-081	0044232	118-194	0082530	28076
224	Cap Screw - Steel (For Item 223 - 2 Req'd)	0000452	⅝" x 1½"	0000467	¾" x 1½"	0000479	⅞" x 1½"
226	Cap Screw - Steel (For Item 57 to 9 - 8 Req'd)	0000470	¾" x 1¾"	0000472	¾" x 2"	-	-
	Cap Screw - Steel (For Item 57 to 9 - 12 Req'd)	-	-	-	-	0000482	⅞" x 2¼"
* 227	Suction Elbow Gasket - Rubber (For Item 57)	0007203	113-646	0007224	113-646	0007275	113-646
229	Washer - (For Item 221 - 4 Req'd)	0026150	110-496	0034585	110-496	0034585	110-496
230	Hex Nut - (For Item 221)	0001179	-	0002710	-	-	-

Base and Suction Elbow Parts 7158 - 7198							
Item	Figure Name and Description	10" Suction		12" Suction		14" Suction	
		Part No.	Dwg. No.	Part No.	Dwg. No.	Part No.	Dwg. No.
53	Base - C.I.	0083239	41673	0083239	41673	0083239	41673
57	Suction Elbow - Regular C.I.	0082528	41712	0088004	41860	0083929	41675
220	"O" Ring - Buna "N" (For Item 223)	0000186	111-279	0000186	111-279	0000186	111-279
221	Cap Screws - (For Item 53 - 4 Req'd)	0085764	1" x 4½"	0085764	1" X 4½"	0085764	1" X 4½"
223	Handhole Cover - C.I.	0082530	28076	0088002	28308	0083927	28027
224	Cap Screw - Steel (For Item 223 - 2 Req'd)	0000479	⅞" x 1½"	0000479	⅞" X 1½"	0000479	⅞" X 1½"
226	Cap Screw - Steel (For Item 57 to 9 - 12 Req'd)	0000482	⅞" x 2¼"	0000482	⅞" X 2¼"	0000486	1" X 2½"
* 227	Suction Elbow Gasket - Rubber (For Item 57)	0007275	113-646	0007276	113-646	0007277	113-646
229	Washer - (For Item 221 - 4 Req'd)	0034586	110-496	0034586	110-496	0034586	110-496

* Recommended Spare Parts