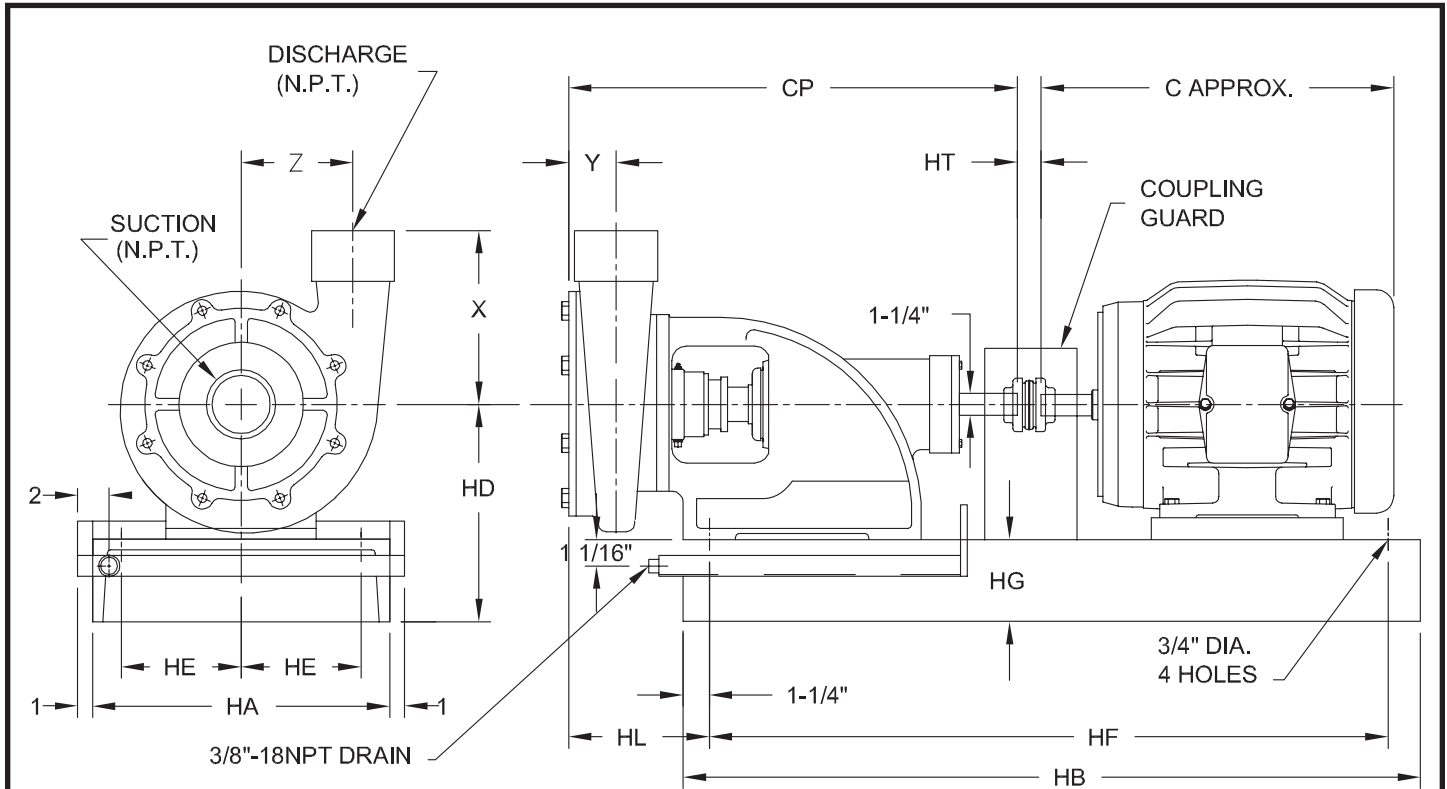
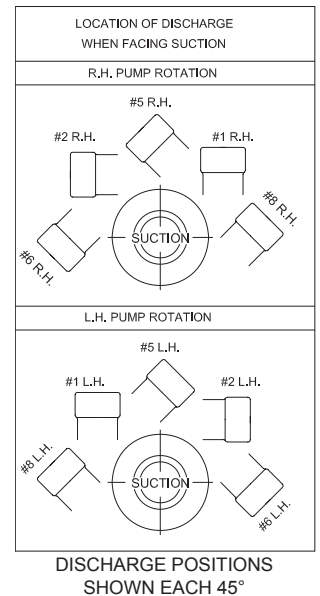


## End Suction Centrifugal Pumps - Semi-Open Impeller



DIMENSIONS IN INCHES							
SIZE	SUCT.	DISCH.	X	Y	Z	CP	HL
1¼S	1½	1¼	5½	2 <sup>1</sup> / <sub>16</sub>	4¾	21¾	5 <sup>7</sup> / <sub>16</sub>
1½S	2	1½	5¾	2 <sup>1</sup> / <sub>8</sub>	4¾	22	5 <sup>11</sup> / <sub>16</sub>
1½M	2	1½	6½	2¼	5¾	22½	5 <sup>13</sup> / <sub>16</sub>
1½L	2	1½	7½	2¼	6¾	22½	5 <sup>13</sup> / <sub>16</sub>
2S	2½	2	6¾	2¼	4¾	22¼	5 <sup>15</sup> / <sub>16</sub>
2M	3	2	7	2½	5¾	22½	6 <sup>3</sup> / <sub>16</sub>



BASE DIMENSIONS IN INCHES												
FRAME NO	143T	145T	182T	184T	213T	215T	254T	256T	284TS	284T	286TS	286T
BASE NO.	27501	27502	27502	27503	27503	27503	27504	27505	27504	27505	27505	27505
HA	12	12	12	12	12	12	15	15	15	15	15	15
HB	28	32	32	36	36	36	40	43	40	43	43	43
C	13 <sup>1</sup> / <sub>8</sub>	13 <sup>1</sup> / <sub>8</sub>	14 <sup>5</sup> / <sub>8</sub>	15 <sup>5</sup> / <sub>8</sub>	17 <sup>3</sup> / <sub>4</sub>	19 <sup>1</sup> / <sub>4</sub>	22 <sup>7</sup> / <sub>8</sub>	24 <sup>5</sup> / <sub>8</sub>	24 <sup>1</sup> / <sub>2</sub>	25 <sup>7</sup> / <sub>8</sub>	26	27 <sup>3</sup> / <sub>8</sub>
HD	10	10	10	10	10	10	10 <sup>3</sup> / <sub>8</sub>	10 <sup>3</sup> / <sub>8</sub>	10 <sup>3</sup> / <sub>8</sub>	10 <sup>3</sup> / <sub>8</sub>	10 <sup>3</sup> / <sub>8</sub>	10 <sup>3</sup> / <sub>8</sub>
HE	4¾	4¾	4¾	4¾	4¾	4¾	6	6	6	6	6	6
HF	25½	29½	29½	33½	33½	33½	37½	40½	37½	40½	40½	40½
HG	3	3	3	3	3	3	3 <sup>3</sup> / <sub>8</sub>	3 <sup>3</sup> / <sub>8</sub>	3 <sup>3</sup> / <sub>8</sub>	3 <sup>3</sup> / <sub>8</sub>	3 <sup>3</sup> / <sub>8</sub>	3 <sup>3</sup> / <sub>8</sub>
HT	¾	¾	¾	¾	¾	¾	1	1	1	1	1	1

Customer				Shop Order No.				Date:		By:	
Pump Data	Fig. No.	Size	Curve No.	GPM	Head	Sp. Gr.	Temp.	Rotation	Packing/Seal		
Motor Data	MFGR	Hp	RPM	Phase-Cycle Voltage		Frame	Enclosure	Insulation	Furnished by	Mounted	