

WARNING:
 CANCER AND REPRODUCTIVE HARM -
WWW.P65WARNINGS.CA.GOV

Item No.	Name of Part	Item No.	Name of Part
001	Casing	046	Coupling Key
002	Impeller	*073	Gasket
006	Pump Shaft	*089	Mechanical Seal
*016	Ball Bearing (Inboard)	202	Snap Ring
*018	Ball Bearing (Outboard)	203	Nameplate
019	Frame	212	Cap Screw
024	Impeller Nut	214	Drive Screw
040	Deflector	216	Pipe Plug

* Recommended spare parts

Parts for Fig. 3111

Industrial Section 3110

Bulletin 95

DEMING®

www.cranepumps.com

Repair Parts

Model 3111 - 1A

Item No.	Name and Description	Part No. All Iron	Part No. Bronze Fit	Drawing No. All Iron	Drawing No. Bronze Fit
1	Casing 1 x 3/4 x 4 1-1/4 x 1 x 4 1-1/2 x 1-1/4 x 4 2 x 1-1/2 x 4 1-1/4 x 1 x 5 1-1/2 x 1-1/4 x 5	0115488 0115490 0115492 0115494 0115496 0115498	0115488 0115490 0115492 0115494 0115496 0115498	42414 42415 42416 42417 42418 42419	
2	Impeller 1 x 3/4 x 4 1-1/4 x 1 x 4 1-1/2 x 1-1/4 x 4 2 x 1-1/2 x 4 1-1/4 x 1 x 5 1-1/2 x 1-1/4 x 5	0115430 0115434 0115438 0115442 0115446 0115450	0115432 0115436 0115440 0115444 0115448 0115452	29783 29784 29785 29786 29787 29788	29795 29796 29797 29798 29799 29800
6	Shaft - 416 SS	0115520	0115520	29781	
* 16	Bearing - Inboard	0115512	0115512		
* 18	Bearing - Outboard	0115512	0115512		
19	Frame - Cast Iron	0115484	0115484	42412	
24	Impeller Nut - Steel	0058370	0058370		
40	Deflector - Neoprene (2 Req'd)	0115880	0115880	18195	
46	Coupling Key - Steel	0002193	0002193	114-932	
* 73	Casing Gasket - Velbuna	0115516	0115516	122-045	
* 89	Seal - John Crane Type 21 STD. BF1C1 OPT. BF171 OPT. XF1C1 OPT. XF171	0115514 0115515 0115835 0115836	0115514 0115515 0115835 0115836	CFD1197-2C * CFD1197-2B *	
202	Snap Ring - Steel	0115623	0115623		
203	Nameplate - 302 SS	0079496	0079496	119-648	
212	Cap Screw - Steel (4 Req'd)	0000395	0000395		
214	Drive Screw - Steel (2 Req'd)	0001146	0001146		
216	Pipe Plug - Steel (4 Req'd)	0002553	0002553		

* Recommended spare parts

SECTION 95
PAGE 24
DATE 7/08

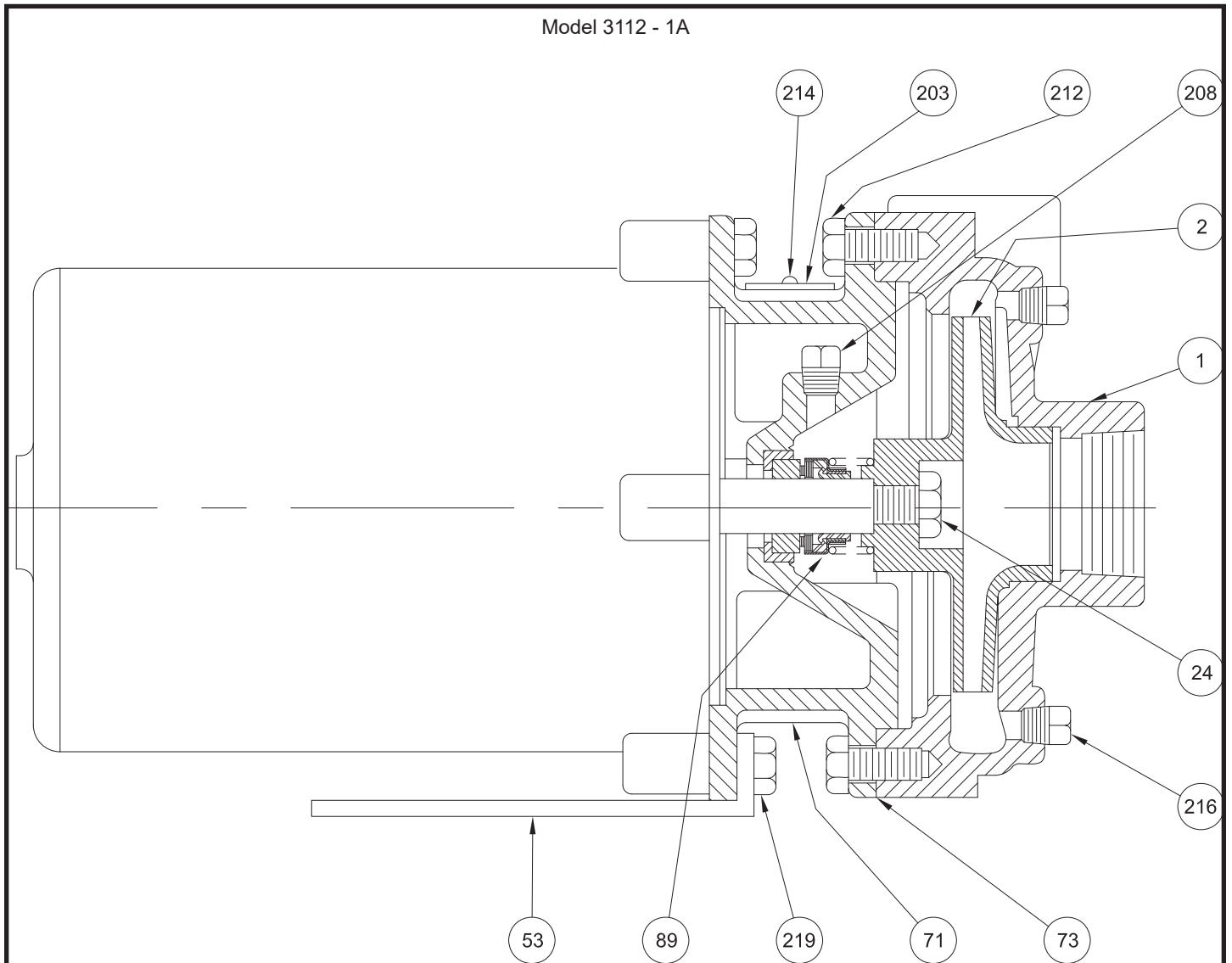
CRANE®

A Crane Co. Company

PUMPS & SYSTEMS

USA: (937) 778-8947 • Canada: (905) 457-6223 • International: (937) 615-3598

Repair Parts



WARNING:
 CANCER AND REPRODUCTIVE HARM -
 WWW.P65WARNINGS.CA.GOV

Item No.	Name of Part	Item No.	Name of Part
001	Casing	203	Nameplate
002	Impeller	208	Pipe Plug
024	Impeller Nut	212	Cap Screw
053	Base	214	Drive Screw
071	Adapter	216	Pipe Plug
* 073	Casing Gasket	219	Cap Screw
*089	Mechanical Seal		

* Recommended spare parts



A Crane Co. Company

PUMPS & SYSTEMS

USA: (937) 778-8947 • Canada: (905) 457-6223 • International: (937) 615-3598

SECTION 95
 PAGE 25
 DATE 10/18

Parts for Fig. 3112

Industrial Section 3110

Bulletin 95

DEMING®

www.cranepumps.com

Repair Parts

Model 3112 - 1A

Item No.	Name and Description	Part No. All Iron	Part No. Bronze Fit	Drawing No. All Iron	Drawing No. Bronze Fit
1	Casing 1 x 3/4 x 4 1-1/4 x 1 x 4 1-1/2 x 1-1/4 x 4 2 x 1-1/2 x 4 1-1/4 x 1 x 5 1-1/2 x 1-1/4 x 5	0115488 0115490 0115492 0115494 0115496 0115498	0115488 0115490 0115492 0115494 0115496 0115498	42414 42415 42416 42417 42418 42419	
2	Impeller 1 x 3/4 x 4 1-1/4 x 1 x 4 1-1/2 x 1-1/4 x 4 2 x 1-1/2 x 4 1-1/4 x 1 x 5 1-1/2 x 1-1/4 x 5	0115430 0115434 0115438 0115442 0115446 0115450	0115432 0115436 0115440 0115444 0115448 0115452	29783 29784 29785 29786 29787 29788	29795 29796 29797 29798 29799 29800
24 53 71 * 73	Impeller Nut - Steel Base - Steel Adapter - Cast Iron Casing Gasket - Velbuna	0058370 0115519 0115478 0115516	0058370 0115519 0115478 0115516	29780 35775 122-045	
* 89	Seal - John Crane Type 21 STD. BF1C1 OPT. BF171 OPT. XF1C1 OPT. XF171	0115514 0115515 0115835 0115836	0115514 0115515 0115835 0115836	CFD1197-2C	
203 208 212 214 216 219	Nameplate - 302 SS Pipe Plug - Steel (1 Req'd) Cap Screw - Steel (4 Req'd) Drive Screw - Steel (2 Req'd) Pipe Plug - Steel (4 Req'd) Cap Screw - Steel (4 Req'd)	0014733 0002553 0000395 0001146 0002553 0003404	0014733 0002553 0000395 0001146 0002553 0003404	116-757	

* Recommended spare parts

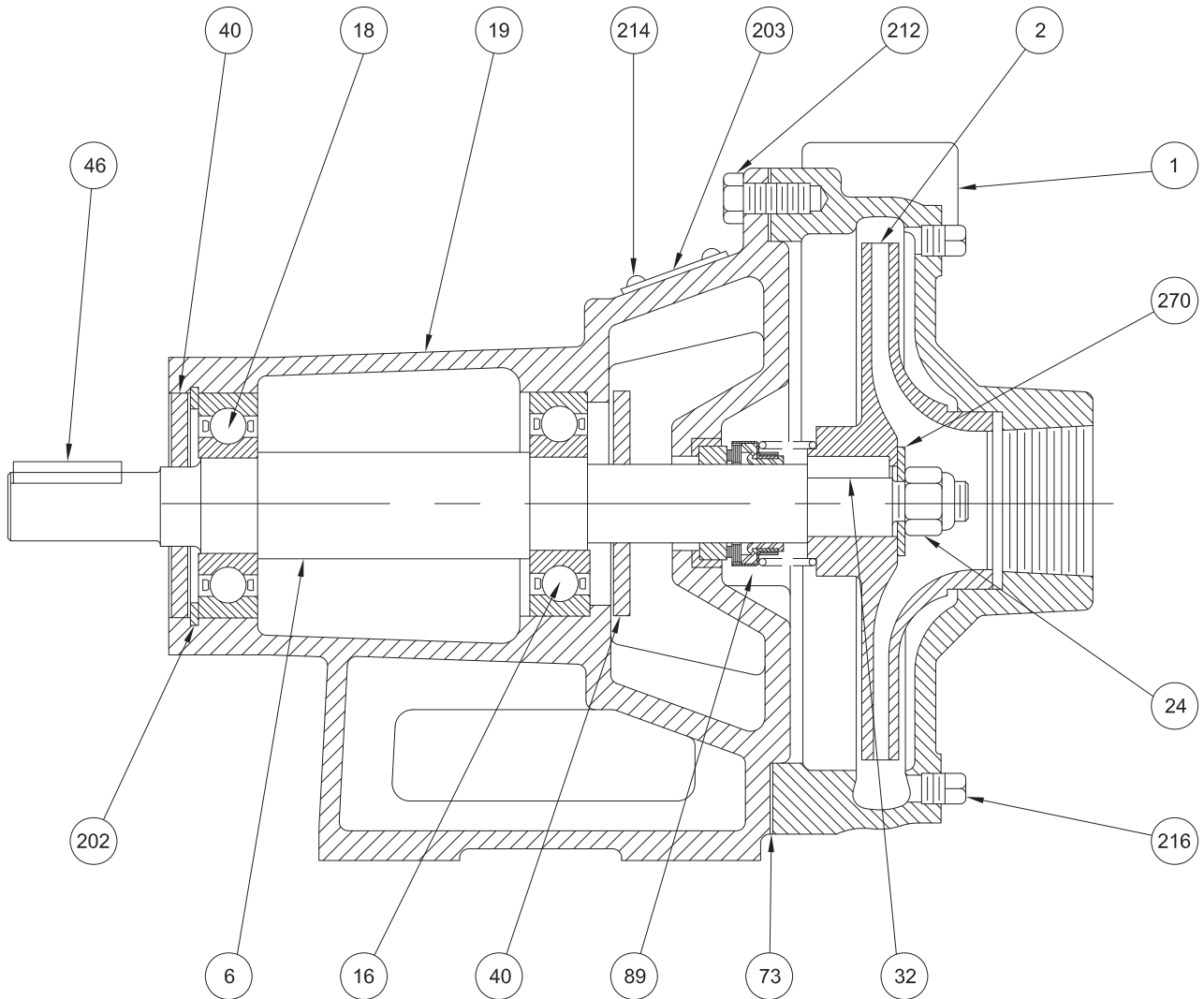
SECTION 95
PAGE 26
DATE 7/08**CRANE®**

A Crane Co. Company

PUMPS & SYSTEMS

USA: (937) 778-8947 • Canada: (905) 457-6223 • International: (937) 615-3598

Model 3111 - 2A



WARNING:
CANCER AND REPRODUCTIVE HARM -
WWW.P65WARNINGS.CA.GOV

Item No.	Name of Part	Item No.	Name of Part
001	Casing	046	Coupling Key
002	Impeller	*073	Casing Gasket
006	Shaft	*089	Mechanical Seal
*016	Bearing (Inboard)	202	Snap Ring
*018	Bearing (Outboard)	203	Nameplate
019	Frame	212	Cap Screw
024	Impeller Nut	214	Drive Screw
032	Impeller Key	216	Pipe Plug
040	Deflector	*270	Washer

* Recommended spare parts

Parts for Fig. 3111

Industrial Section 3110

Bulletin 95

DEMING®

www.cranepumps.com

Repair Parts

Model 3111 - 2A

Item No.	Name and Description	Part No. All Iron	Part No. Bronze Fit	Drawing No. All Iron	Drawing No. Bronze Fit
1	Casing 1-1/2 x 1-1/4 x 5 2 x 1-1/2 x 5 2-1/2 x 2 x 5 1-1/2 x 1 x 6 2 x 1-1/2 x 6 2-1/2 x 2 x 6	0115500 0115502 0115504 0115506 0115508 0115510	0115500 0115502 0115504 0115506 0115508 0115510	42420 42421 42422 42423 42424 42425	
2	Impeller 1-1/2 x 1-1/4 x 5 2 x 1-1/2 x 5 2-1/2 x 2 x 5 1-1/2 x 1 x 6 2 x 1-1/2 x 6 2-1/2 x 2 x 6	0115454 0115458 0115462 0115466 0115470 0115474	0115456 0115460 0115464 0115468 0115472 0115476	29789 29790 29791 29792 29793 29794	29801 29802 29803 29804 29805 29809
6 * 16 * 18 19 24 32 40 46 * 73	Shaft - 416 SS Bearing - Inboard Bearing - Outboard Frame - Cast Iron Impeller Nut - Steel Impeller Key - Steel Deflector - Neoprene (2 Req'd) Coupling Key - Steel Casing Gasket - Velbuna	0115521 0115513 0115513 0115486 0005214 0115590 0115868 0002195 0003075	0115521 0115513 0115513 0115486 0005214 0115590 0115868 0002195 0003075	29782 42413 120-427 11895 114-932 113-881	
* 89	Seal - John Crane Type 21 STD. BF1C1 OPT. BF171 OPT. XF1C1 OPT. XF171	0030878 0030879 0084878 0084879	0030878 0030879 0084878 0084879	CFSP12326 CFSP12328 CFD1197-1B *	
202 203 212 214 216 * 270	Snap Ring - Steel Nameplate - 302 SS Cap Screw - Steel (4 Req'd) Drive Screw - Steel (2 Req'd) Pipe Plug - Steel (4 Req'd) Impeller Washer - SS	0033569 0079495 0003404 0001146 0002553 0000210	0033569 0079495 0003404 0001146 0002553 0000210	119-440 18098	

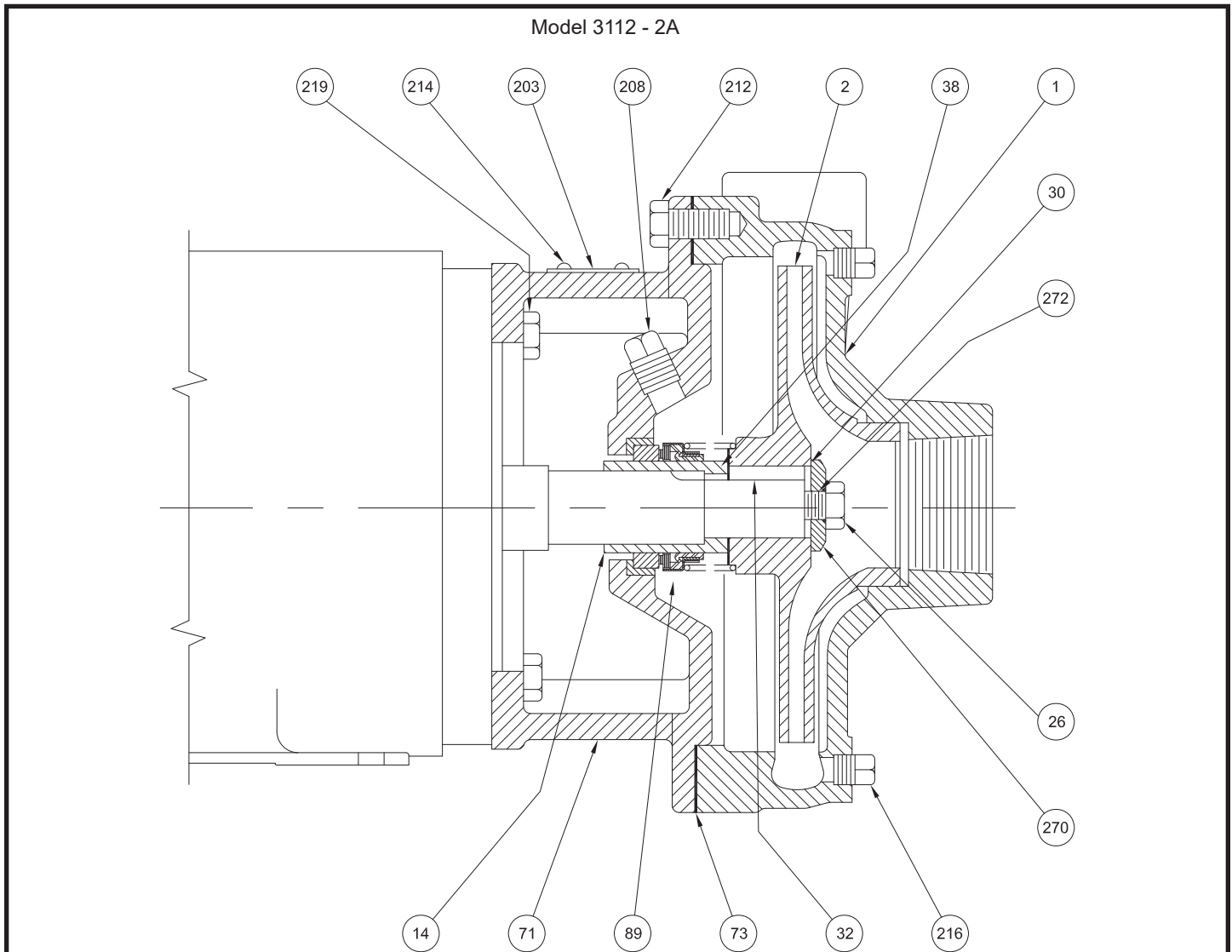
* Recommended spare parts

SECTION 95
PAGE 28
DATE 7/08**CRANE®**

A Crane Co. Company

PUMPS & SYSTEMS

USA: (937) 778-8947 • Canada: (905) 457-6223 • International: (937) 615-3598



WARNING:
 CANCER AND REPRODUCTIVE HARM -
 WWW.P65WARNINGS.CA.GOV

Item No.	Name of Part	Item No.	Name of Part
001	Casing	* 089	Mechanical Seal
002	Impeller	203	Nameplate
014	Shaft Sleeve	208	Pipe Plug
* 026	Cap Screw	212	Cap Screw
* 030	Impeller Gasket	214	Drive Screw
032	Impeller Key	216	Pipe Plug
038	Sleeve Gasket	219	Cap Screw
071	Adapter	* 270	Impeller Washer
* 073	Casing Gasket	* 272	O-Ring

* Recommended spare parts



Parts for Fig. 3112

Industrial Section 3110

Bulletin 95

DEMING®

www.cranepumps.com

Repair Parts

Model 3112 - 2A

Item No.	Name and Description	Part No. All Iron	Part No. Bronze Fit	Drawing No. All Iron	Drawing No. Bronze Fit
1	Casing 1-1/2 x 1-1/4 x 5 2 x 1-1/2 x 5 2-1/2 x 2 x 5 1-1/2 x 1 x 6 2 x 1-1/2 x 6 2-1/2 x 2 x 6	0115500 0115502 0115504 0115506 0115508 0115510	0115500 0115502 0115504 0115506 0115508 0115510	42420 42421 42422 42423 42424 42425	
2	Impeller 1-1/2 x 1-1/4 x 5 2 x 1-1/2 x 5 2-1/2 x 2 x 5 1-1/2 x 1 x 6 2 x 1-1/2 x 6 2-1/2 x 2 x 6	0115454 0115458 0115462 0115466 0115470 0115474	0115456 0115460 0115464 0115468 0115472 0115476	29789 29790 29791 29792 29793 29794	29801 29802 29803 29804 29805 29809
14 * 26 * 30 32 38	Shaft Sleeve - 416 SS Impeller Cap Screw - Steel (1 Req'd) Impeller Gasket - Rulon Impeller Key - Steel Sleeve Gasket - Rulon	0104436 0053313 0068362 0068336 0068369	0104436 0053313 0068362 0068336 0068369	121-406 119-150 113-335	
71	Adapter - Cast Iron 143-184 JM 213-215 JM	0115480 0115482	0115480 0115482	42410 42411	
* 73	Casing Gasket - Velbuna	0003075	0003075	113-881	
* 89	Seal - John Crane Type 21 STD. BF1C1 OPT. BF171 OPT. XF1C1 OPT. XF171	0030880 0030881 0088459 0084881	0030880 0030881 0088459 0084881	CFSP12498 CFSP12448 CFD1197-1B CFD1197-1B	
203 208 212 214 216	Nameplate - 302 SS Pipe Plug - 1/4" - Steel (1 Req'd) Cap Screw - Steel (8 Req'd) Drive Screw - Steel (2 Req'd) Pipe Plug - 1/8" - Steel (4 Req'd)	0079495 0002009 0003404 0001146 0002553	0079495 0002009 0003404 0001146 0002553	119-440	
219	Cap Screw - Steel (4 Req'd) 143-184 JM 213-215 JM	0000397 0000431	0000397 0000431		
* 270 * 272	Impeller Washer - SS O-Ring (Impeller Cap Screw)	0081097 0068366	0081097 0068366	119-744 111-279	

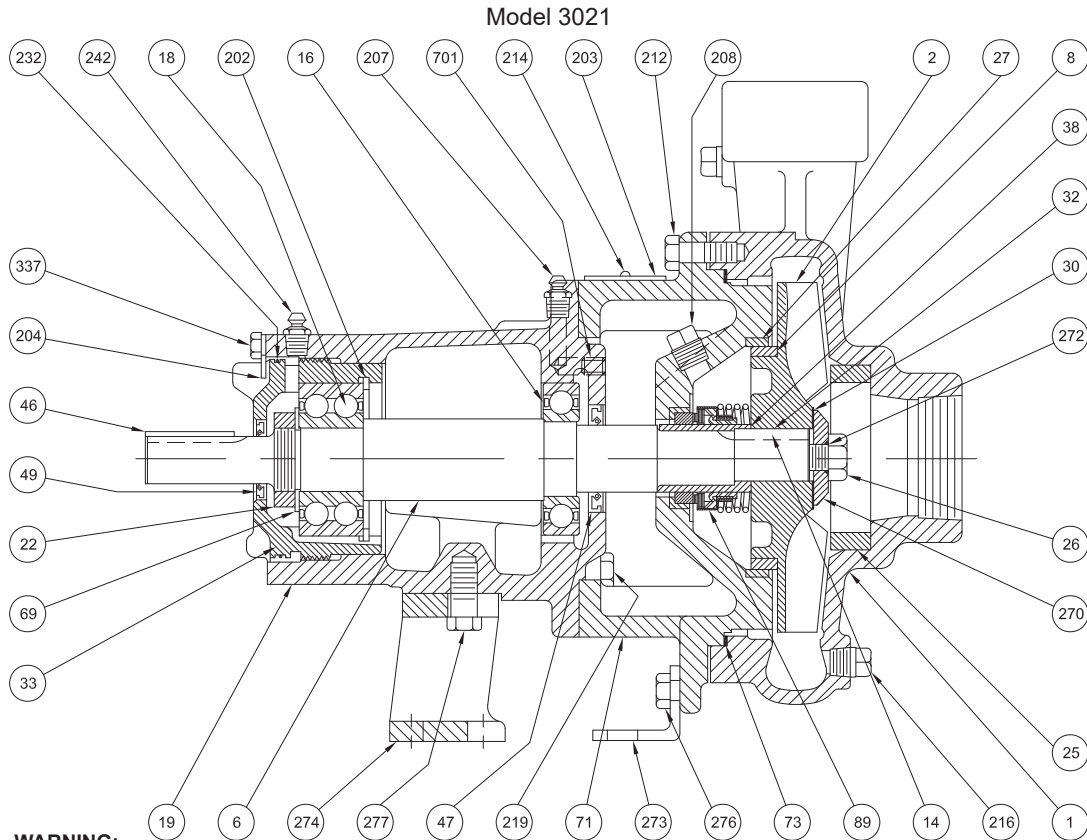
* Recommended spare parts

SECTION 95
PAGE 30
DATE 7/08**CRANE®**

A Crane Co. Company

PUMPS & SYSTEMS

USA: (937) 778-8947 • Canada: (905) 457-6223 • International: (937) 615-3598



WARNING:
 CANCER AND REPRODUCTIVE HARM -
 WWW.P65WARNINGS.CA.GOV

DISCONTINUED

Item No.	Name of Part	Item No.	Name of Part
001	Casing	* 073	Casing Gasket
002	Impeller	* 089	Mechanical Seal
006	Shaft	202	Snap Ring
008	Impeller Ring (Optional)	203	Nameplate
014	Sleeve	204	Bearing Housing Clip
* 016	Bearing (Inboard)	207	Grease Fitting
* 018	Bearing (Outboard)	208	Pipe Plug
019	Frame	212	Cap Screw
022	Bearing Lock Nut	214	Drive Screw
025	Casing Ring	216	Pipe Plug
026	Impeller Cap Screw	219	Cap Screw
027	Cover Ring	232	O-Ring
030	Impeller Washer Gasket	242	Grease Fitting
032	Impeller Key	* 270	Impeller Washer
033	Bearing Housing	272	O-Ring
* 038	Gasket Sleeve	273	Foot (Adapter)
046	Coupling Key	274	Foot (Frame)
047	Lip Seal (I.B.)	276	Cap Screw
049	Lip Seal (O.B.)	277	Cap Screw
069	Bearing Lockwasher	337	Cap Screw
071	Adapter	701	Set Screw

* Recommended spare parts

Repair Parts

Liquid End Parts

SIZE	Item 1 Casing	Item 2 Impeller, Standard				
		A.I. & B.F. C.I.	7/8" - 1B Frame		1-1/4" - 2B Frame	
			A.I. C.I.	B.F. BRZ.	A.I. C.I.	B.F. BRZ.
1-1/2 x 1 x 6 Mat'l. P/N DWG	0116297 42492	0116514 35856	0117470 35856	N.A.	N.A.	
2 x 1-1/2 x 6 P/N DWG	0116298 42493	0116516 35859	0117472 35859	0116517 35860	0117473 35860	
3 x 2 x 6 P/N DWG	0116299 42494	0116519 35863	0117475 35863	0116520 35864	0117476 35864	
4 x 3 x 6 P/N DWG	0118128 42572	0116905 35934	0117478 35934	0116906 35935	0117479 35935	
3 x 2-1/2 x 7 P/N DWG	0118312 42629	0119402 36126	0119403 36126	0119404 36127	0119405 36127	
1-1/2 x 1 x 8 P/N DWG	0116301 42496	0116525 35871	0117481 35871	0116526 35872	0117482 35872	
2 x 1-1/2 x 8 P/N DWG	0116302 42497	0116528 35875	0117484 35875	0116529 35876	0117485 35876	
3 x 2 x 8 P/N DWG	0116303 42498	0116531 35879	0117487 35879	0116532 35880	0117488 35880	
4 x 3 x 8 P/N DWG	0118130 42499	0116908 35936	0117528 35936	0116909 35937	0117529 35937	
6 x 4 x 8 P/N DWG	0116774 42500	N.A.	N.A.	0119527 36137	0119530 36137	

DISCONTINUED

SIZE	Item 25 Casing Ring	Item 27 Cover Ring	* Item 73	Item 212
			Casing Gasket	Cap Screw
Mat'l.	A.I. & B.F. 316 SS	A.I. & B.F. 316 SS	A.I. & B.F. VELBUNA	8 Req'd A.I. & B.F. STEEL
1-1/2 x 1 x 6 P/N DWG	0116591 122-143	0116291 122-050	0116204 116-040	0006415
2 x 1-1/2 x 6 P/N DWG	0116593 122-143	0116291 122-050	0116204 116-040	0006415
3 x 2 x 6 P/N DWG	0116594 122-143	0116291 122-050	0116204 116-040	0006415
4 x 3 x 6 P/N DWG	0116291 122-050	0116291 122-050	0116204 116-040	0006415
3 x 2-1/2 x 7 P/N DWG	0116594 122-143	0116291 122-050	0116205 116-040	0000432
1-1/2 x 1 x 8 P/N DWG	0116592 122-143	0116291 122-050	0116205 116-040	0000432
2 x 1-1/2 x 8 P/N DWG	0116593 122-143	0116291 122-050	0116205 116-040	0000432
3 x 2 x 8 P/N DWG	0116594 122-143	0116291 122-050	0116205 116-040	0000432
4 x 3 x 8 P/N DWG	0116871 122-143	0116291 122-050	0116205 116-040	0000432
6 x 4 x 8 P/N DWG	0119090 122-143	0116291 122-050	0116205 116-040	0000432

* Recommended spare parts

Liquid End Parts

		Item 1 Casing			Item 2 Impeller, Standard			
SIZE	Mat'l. P/N DWG	125# Flg.	250# Flg.	NPT	1-1/4" - 2B, 3B Frames		1-5/8" - 4B Frame	
		A.I. & B.F. C.I.	A.I. & B.F. D.I.	A.I. & B.F. C.I.	A.I. C.I.	B.F. BRZ.	A.I. C.I.	B.F. BRZ.
2 x 1 x 10	P/N DWG	N.A.	N.A.	0116776 42525	0116913 35939	0117531 35939	N.A.	N.A.
2-1/2 x 1-1/2 x 10	P/N DWG	N.A.	N.A.	0118039 42615	0116915 35940	0117533 35940	N.A.	N.A.
3 x 2 x 10	P/N DWG	N.A.	N.A.	0116780 42527	0116917 35941	0117535 35941	N.A.	N.A.
3 x 2 x 10H	P/N DWG	0117867 42591	0117865 42590	N.A.	0117726 35995	0118099 35995	N.A.	N.A.
4 x 3 x 10	P/N DWG	0116782 42528	0118915 42653	N.A.	0116920 35943	0117538 35943	N.A.	N.A.
4 x 3 x 10H	P/N DWG	0117731 42573	N.A.	N.A.	0117728 35996	0118101 35996	N.A.	N.A.
5 x 4 x 10	P/N DWG	0116895 42549	0119782 42673	N.A.	0116923 35945	0117543 35945	0116924 35946	0117544 35946
6 x 4 x 10	P/N DWG	0117808 42585	0119937 42678	N.A.	0117802 36009	0117810 36009	0117803 36010	0117811 36010
8 x 6 x 10	P/N DWG	0117762 42579	0119941 42677	N.A.	0117920 36024	0119648 36024	0117921 36025	0119649 36025

		Item 25 Casing Ring	Item 27 Cover Ring	* Item 73 Casing Gasket	Item 212 Cap Screw
SIZE	Mat'l. P/N DWG	A.I. & B.F.	A.I. & B.F.	A.I. & B.F.	8 Req'd
		316 SS	316 SS	VELBUNA	A.I. & B.F. STEEL
2 x 1 x 10	P/N DWG	0116592 122-143	0117651 122-050	0116206 116-040	0000431
2-1/2 x 1-1/2 x 10	P/N DWG	0116593 122-143	0117651 122-050	0116206 116-040	0000431
3 x 2 x 10	P/N DWG	0116594 122-143	0117651 122-050	0116206 116-040	0000431
3 x 2 x 10H	P/N DWG	0116594 122-143	0117651 122-050	0116206 116-040	0000431
4 x 3 x 10	P/N DWG	0116871 122-143	0117651 122-050	0116206 116-040	0000431
4 x 3 x 10H	P/N DWG	N.A.	0117651 122-050	0116206 116-040	0000431
5 x 4 x 10	P/N DWG	0119582 122-143	0117651 122-050	0116206 116-040	0000431
6 x 4 x 10	P/N DWG	0119650 122-143	0117651 122-050	0116206 116-040	0000431
8 x 6 x 10	P/N DWG	0119651 122-143	0117651 122-050	0116206 116-040	0000431

DISCONTINUED

* Recommended spare parts

Repair Parts

Liquid End Parts

		Item 1 Casing			Item 2 Impeller, Standard			
SIZE	Mat'l.	125# Fig.	250# Fig.	N.P.T.	1-1/4" - 3B FRAME		1-5/8" - 4B FRAME	
		A.I. & B.F. C.I.	A.I. & B.F. C.I.	A.I. & B.F. C.I.	A.I. C.I.	B.F. BRZ.	A.I. C.I.	B.F. BRZ.
3 x 1-1/2 x 13	P/N DWG	N.A.	0119174 42658	0116897 42550	0116926 36117	0117546 36117	0116927 36118	0117547 36118
3 x 2 x 13	P/N DWG	N.A.	0117875 42593	0116899 42551	0119082 36114	0117595 36114	0119083 36115	0117596 36115
4 x 3 x 13	P/N DWG	0116901 42552	0118943 42594	N.A.	0116932 35951	0117598 35951	0116933 35952	0117599 35952
6 x 4 x 13	P/N DWG	0116903 42253	0117938 42597	N.A.	0116935 35953	0117601 35953	0116936 35954	0117602 35954
4 x 3 x 15	P/N DWG	0118422 42632	0118424 42633	N.A.	N.A.	N.A.	0118420 36065	0119454 36065
6 x 4 x 15	P/N DWG	0118458 42634	0118462 42635	N.A.	N.A.	N.A.	0118456 36070	0119460 36070

		Item 25 Casing Ring	Item 27 Cover Ring	* Item 73 Casing Gasket	Item 212 Cap Screw
SIZE	Mat'l.	A.I. & B.F.	A.I. & B.F.	A.I. & B.F.	8 Req'd **
		316 SS	316 SS	VELBUNA	A.I. & B.F. STEEL
3 x 1-1/2 x 13	P/N DWG	0119091 122-143	0119086 122-050	0116207 116-040	0000451
3 x 2 x 13	P/N DWG	0119091 122-143	0119086 122-050	0116207 116-040	0000451
4 x 3 x 13	P/N DWG	0119092 122-143	0119086 122-050	0116207 116-040	0000451
6 x 4 x 13	P/N DWG	0119673 122-050	0119086 122-050	0116207 116-040	0000451
4 x 3 x 15	P/N DWG	0120210 122-143	0119659 122-050	0120148 116-040	0000461
6 x 4 x 15	P/N DWG	0120427 122-143	0119659 122-050	0120148 116-040	0000461

DISCONTINUED

* Recommended spare parts

** 12 Required on all 15" Sizes

Adapter Assembly

Item No.	Description		1B Frame	2B, 3B Frame	4B Frame
14	Shaft Sleeve	316 SS P/N DWG	0104436 121-406	0116295 122-046	0119584 122-226
* 26	Cap Screw	316 SS P/N	0053313	0053315	0080387
* 30	Impeller Gasket	Rulon P/N DWG	0068362 116-040	0068363 116-040	0080310 116-040
32	Impeller Key	Steel P/N DWG	0017546 113-334	0011260 113-336	0068338 119-152
38	Sleeve Gasket	Rulon P/N DWG	0068369 113-335	0068367 113-040	0068368 119-157
71	Adapter	C.I. P/N 6" DWG	0116209 42428	0116370 42501	N.A.
		C.I. P/N 7" & 8" D.I. P/N DWG	0116213 0118667 42430	0116217 0118677 42503	N.A.
		C.I. P/N 10" D.I. P/N DWG	N.A.	0116744 0118673 42541	0119465 0119632 42663
		C.I. P/N 13" D.I. P/N DWG	N.A.	0117210 0119243 42562	0119347 0119400 42662
		C.I. P/N 15" D.I. P/N DWG	N.A.	N.A.	0119467 0119832 42665
* 89	Mechanical Seal	B.F. - BF1C1	0030880	0030886	0030890
		A.I. - BF171	0030881	0030887	0030891
		XF1C1	0088459	0106330	0119411
		XF171	0084881	0106331	0119412
203	Nameplate	302 SS P/N DWG	0079495 119-440	0079495 119-440	0079495 119-440
208	Pipe Plug - 1/4"	Steel (Cad. Plated) P/N	0002009	0002009	0002009
214	Drive Screw - 2 Req'd	Steel P/N	0001146	0001146	0001146
216	Pipe Plug - 1/4" - 4 Req'd	Steel (Cad. Plated) P/N	0002009	0002009	0002009
219	Cap Screw - 4 Req'd	Steel P/N	0000397	0000432	0000432
* 270	Impeller Washer	316 SS P/N DWG	0081097 119-744	0068347 119-154	0080308 119-077
*272	O-Ring	Teflon P/N DWG	0068366 111-279	0068365 111-279	0080301 111-279

DISCONTINUED

* Recommended spare parts

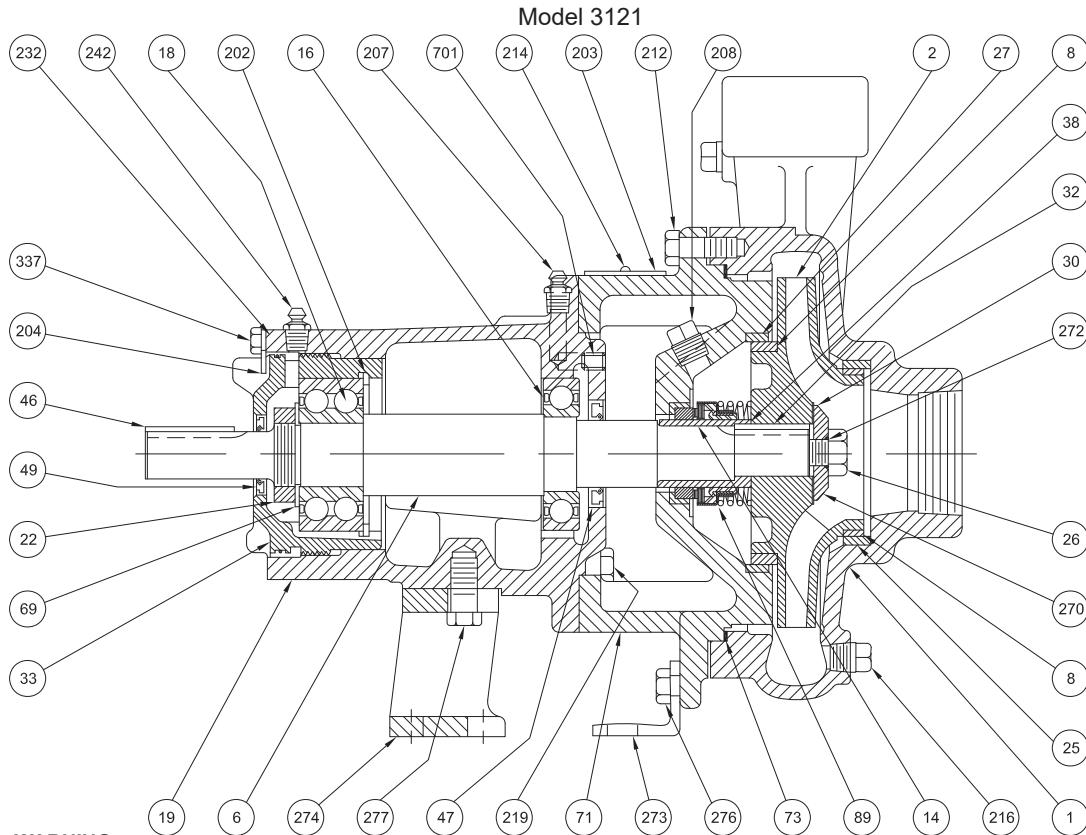
Repair Parts

Frame Assembly

Item No.	Description		1B Frame	2B Frame	3B Frame	4B Frame
6	Shaft - JM	420 Steel P/N	0116198	0116725	0117901	0118980
		316 SS P/N	0118399	0118274	0118276	0119711
		DWG	29879	35924	36023	36105
* 16	Bearing, Inboard	P/N	0003314	0054430	0005266	0079980
* 18	Bearing, Outboard	P/N	0005271	0016456	0119027	0005273
19	Frame	C.I. P/N	0116191	0116764	0116858	0117323
		DWG	42491	42510	42548	42565
22	Bearing Lock Nut	Steel P/N	003304	0003222	0006032	0039937
33	Bearing Housing	C.I. P/N	0116193	0116766	0116860	0117325
		DWG	29881	35881	35932	35985
46	Coupling Key	Steel P/N	0002195	0002204	0002204	0101351
		DWG	114-932	114-932	114-932	114-932
* 47	Lip Seal, I.B.	P/N	0116200	0104861	0104862	0104863
* 49	Lip Seal, O.B.	P/N	0116201	0104861	0104861	0104862
69	Bearing Lockwasher	Steel P/N	0003300	0002862	0046743	0007148
202	Snap Ring	Steel P/N	0116202	0058137	0116990	0080004
204	Bearing Housing Clip	Steel P/N	0116199	0116199	0117306	0116199
		DWG	122-048	122-048	122-164	122-048
207	Grease Fitting - 1/8" for grease lube	P/N	0003131	0003131	0003131	0003131
232	O-Ring	Synthetic Rubber P/N	0116203	0117029	0000179	0119352
		DWG	111-279	111-279	111-279	111-279
242	Grease Fitting - 1/8" for grease lube	P/N	0003131	0003131	0003131	0003131
273	Foot (Adapter) 6", 7", & 8"	C.I. P/N	0116197	0116803	0116803	N.A.
		DWG	29877	29897	29897	
		C.I. P/N	N.A.	0116741	0116741	0116741
		DWG		35926	35926	35926
274	Foot (Frame) 6", 7", & 8"	C.I. P/N	0116195	0116768	0116768	N.A.
		DWG	29878	29895	29895	
274	Foot (Frame) 10"	C.I. P/N	N.A.	0116770	0116770	0116768
		DWG		29896	29896	29895
274	Foot (Frame) 13"	C.I. P/N	N.A.	0117085	0117085	0117307
		DWG		35965	35965	35979
274	Foot (Frame) 15"	C.I. P/N	N.A.	N.A.	N.A.	0119469
		DWG				36130
276	Cap Screw (2 Req'd 6" Only)	Steel P/N	0003804	0003804	N.A.	N.A.
277	Cap Screw	Steel P/N	0000431 * *	0003404	0003404	0003404
337	Cap Screw	Steel P/N	0000342	0000342	0000342	0000342
701	Set Screw	Steel P/N	0003743	N.A.	0006709	N.A.

DISCONTINUED

* Recommended spare parts ** Only one required on 1B Frame



WARNING:

CANCER AND REPRODUCTIVE HARM -
WWW.P65WARNINGS.CA.GOV

DISCONTINUED

Item No.	Name of Part	Item No.	Name of Part
001	Casing	* 073	Casing Gasket
002	Impeller	* 089	Mechanical Seal
006	Shaft	202	Snap Ring
008	Impeller Ring (Optional)	203	Nameplate
014	Sleeve	204	Bearing Housing Clip
* 016	Bearing (Inboard)	207	Grease Fitting
* 018	Bearing (Outboard)	208	Pipe Plug
019	Frame	212	Cap Screw
022	Bearing Lock Nut	214	Drive Screw
025	Casing Ring	216	Pipe Plug
026	Impeller Cap Screw	219	Cap Screw
** 027	Cover Ring (Optional)	232	O-Ring
030	Impeller Washer Gasket	242	Grease Fitting
032	Impeller Key	* 270	Impeller Washer
033	Bearing Housing	272	O-Ring
* 038	Gasket Sleeve	273	Foot (Adapter)
046	Coupling Key	274	Foot (Frame)
047	Lip Seal (I.B.)	276	Cap Screw
049	Lip Seal (O.B.)	277	Cap Screw
069	Bearing Lockwasher	337	Cap Screw
071	Adapter	701	Set Screw

* Recommended spare parts

** Pump built before 8/12, Adapter Wear Rings were Standard



Repair Parts

Liquid End Parts

SIZE	Item 1 Casing	Item 2 Impeller, Standard				
		A.I. & B.F. C.I.	7/8" - 1B Frame		1-1/4" - 2B Frame	
			A.I. C.I.	B.F. BRZ.	A.I. C.I.	B.F. BRZ.
1-1/2 x 1 x 6 Mat'l. P/N DWG	0116221 42492	0116235 35855	0116237 29882	N.A.	N.A.	
2 x 1-1/2 x 6 P/N DWG	0116223 42493	0116239 35857	0116241 29883	0116243 35858	0116245 29884	
3 x 2 x 6 P/N DWG	0116225 42494	0116247 35861	0116249 29885	0116251 35862	0116253 29886	
4 x 3 x 6 P/N DWG	0117360 42572	0116255 35865	0116257 29887	0116259 35866	0116261 29888	
3 x 2-1/2 x 7 P/N DWG	0119363 42629	0120434 36037	0118008 36037	0120435 36038	0118009 36038	
1-1/2 x 1 x 8 P/N DWG	0116229 42496	0116263 35869	0116265 29889	0116267 35870	0116269 29890	
2 x 1-1/2 x 8 P/N DWG	0116231 42497	0116271 35873	0116273 29891	0116275 35874	0116277 29892	
3 x 2 x 8 P/N DWG	0116233 42498	0116279 35877	0116281 29893	0116283 35878	0116285 29894	
4 x 3 x 8 P/N DWG	0116772 42499	0116784 35895	0117344 29986	0116785 35896	0117345 29987	
6 x 4 x 8 P/N DWG	0116774 42500	0119643 36139	0119644 36139	0117846 36014	0117574 36014	

SIZE	Item 1 Casing	Item 2 Impeller with Optional Impeller Wear Rings				
		A.I. & B.F. C.I.	7/8" - 1B Frame		1-1/4" - 2B Frame	
			A.I. C.I.	B.F. BRZ.	A.I. C.I.	B.F. BRZ.
1-1/2 x 1 x 6 Mat'l. P/N DWG	0116221 42492	0116304 35855	0116305 29882	N.A.	N.A.	
2 x 1-1/2 x 6 P/N DWG	0116223 42493	0116306 35857	0116307 29883	0116308 35858	0116309 29884	
3 x 2 x 6 P/N DWG	0116225 42494	0116310 35861	0116311 29885	0116312 35862	0116313 29886	
4 x 3 x 6 P/N DWG	0117360 42572	0116314 35865	0116315 29887	0116316 35866	0116317 29888	
3 x 2-1/2 x 7 P/N DWG	0119363 42629	0120436 36037	0118645 36037	0120437 36038	0118646 36038	
1-1/2 x 1 x 8 P/N DWG	0116229 42496	0116318 35869	0116319 29889	0116320 35870	0116321 29890	
2 x 1-1/2 x 8 P/N DWG	0116231 42497	0116322 35873	0116323 29891	0116324 35874	0116325 29892	
3 x 2 x 8 P/N DWG	0116233 42498	0116326 35877	0116327 29893	0116328 35878	0116329 29894	
4 x 3 x 8 P/N DWG	0116772 42499	0116884 35895	0117385 29986	0116885 35896	0117386 29987	
6 x 4 x 8 P/N DWG	0116774 42500	0119645 36139	0119646 36139	0117137 36014	0119138 36014	

DISCONTINUED

* Recommended spare parts

Liquid End Parts

SIZE	Mat'l.	Item 8 Impeller Ring		Item 25 Casing Ring	Item 27 Cover Ring	* Item 73 Casing Gasket	Item 212 Cap Screw
		SUCT. SIDE A.I. & B.F. 316 SS	ADAPT. SIDE A.I. & B.F. 316 SS	A.I. & B.F. 316 SS	A.I. & B.F. 316 SS	A.I. & B.F. VELBUNA	8 Req'd A.I. & B.F. STEEL
1-1/2 x 1 x 6	P/N DWG	0116288 122-049	0116287 122-049	0116292 122-050	0116291 122-050	0116204 116-040	0006415
2 x 1-1/2 x 6	P/N DWG	0116289 122-049	0116287 122-049	0116293 122-050	0116291 122-050	0116204 116-040	0006415
3 x 2 x 6	P/N DWG	0116290 122-049	0116287 122-049	0116294 122-050	0116291 122-050	0116204 116-040	0006415
4 x 3 x 6	P/N DWG	0116287 122-049	0116287 122-049	0116291 122-050	0116291 122-050	0116204 116-040	0006415
3 x 2-1/2 x 7	P/N DWG	0116290 122-049	0116287 122-049	0116294 122-050	0116291 122-050	0116205 116-040	0000432
1-1/2 x 1 x 8	P/N DWG	0116289 122-049	0116287 122-049	0116293 122-050	0116291 122-050	0116205 116-040	0000432
2 x 1-1/2 x 8	P/N DWG	0116289 122-049	0116287 122-049	0116293 122-050	0116291 122-050	0116205 116-040	0000432
3 x 2 x 8	P/N DWG	0116290 122-049	0116287 122-049	0116294 122-050	0116291 122-050	0116205 116-040	0000432
4 x 3 x 8	P/N DWG	0116870 122-049	0116287 122-049	0116869 122-050	0116291 122-050	0116205 116-040	0000432
6 x 4 x 8	P/N DWG	0119088 122-049	0116287 122-049	0118605 122-050	0116291 122-050	0116205 116-040	0000432

SIZE	Mat'l.	Item 1 Casing			Item 2 Impeller, Standard			
		125# Fig. A.I. & B.F. C.I.	250# Fig. A.I. & B.F. D.I.	NPT A.I. & B.F. C.I.	1-1/4" - 2B, 3B Frame		1-5/8" - 4B Frame	
					A.I. C.I.	B.F. BRZ.	A.I. C.I.	B.F. BRZ.
2 x 1 x 10	P/N DWG	N.A.	N.A.	0116776 42525	0116791 35900	0117348 29989	N.A.	N.A.
2 x 1-1/2 x 10	P/N DWG	N.A.	N.A.	0116778 42526	0116794 35902	0117351 29991	N.A.	N.A.
3 x 2 x 10	P/N DWG	N.A.	N.A.	0116780 42527	0116797 35904	0117354 29993	N.A.	N.A.
4 x 3 x 10	P/N DWG	0116782 42528	0118915 42653	N.A.	0116800 35918	0117357 29995	N.A.	N.A.
5 x 4 x 10	P/N DWG	0116895 42549	0119782 42673	N.A.	0119013 36106	0119166 36106	0119014 36107	0119167 36107
6 x 4 x 10	P/N DWG	0117808 42585	0119937 42678	N.A.	0117805 36011	0117813 36011	0117806 36012	0117814 36012
8 x 6 x 10	P/N DWG	0117761 42579	0119941 42677	N.A.	0117772 36006	0117838 36006	0117773 36007	0117839 36007

DISCONTINUED

* Recommended spare parts

Repair Parts

Liquid End Parts

SIZE	Mat'l.	Item 1 Casing			Item 2 Impeller with optional Impeller Wear Rings			
		125# Fig. A.I. & B.F. C.I.	250# Fig. A.I. & B.F. D.I.	NPT A.I. & B.F. C.I.	1-1/4" - 2B, 3B Frame		1-5/8" - 4B Frame	
					A.I. C.I.	B.F. BRZ.	A.I. C.I.	B.F. BRZ.
2 x 1 x 10	P/N DWG	N.A.	N.A.	0116776 42525	0117887 35900	0117388 29989	N.A.	N.A.
2 x 1-1/2 x 10	P/N DWG	N.A.	N.A.	0116778 42526	0116889 35902	0117390 29991	N.A.	N.A.
3 x 2 x 10	P/N DWG	N.A.	N.A.	0116780 42527	0116891 35904	0117392 29993	N.A.	N.A.
4 x 3 x 10	P/N DWG	0116782 42528	0118915 42653	N.A.	0116892 35918	0117394 29995	N.A.	N.A.
5 x 4 x 10	P/N DWG	0116895 42549	0119782 42673	N.A.	0119604 36106	0119605 36106	0119606 36107	0119607 36107
6 x 4 x 10	P/N DWG	0117808 42585	0119937 42678	N.A.	0116974 36011	0119652 36011	0116975 36012	0119653 36012
8 x 6 x 10	P/N DWG	0117761 42579	0119941 42677	N.A.	0118058 36006	0119654 36006	0118059 36007	0119655 36007

SIZE	Mat'l.	Item 8 Casing Ring		Item 25 Casing Ring	Item 27 Cover Ring	* Item 73 Casing Gasket	Item 212 Cap Screw
		SUCT. SIDE A.I. & B.F. 316 SS	ADAPT. SIDE A.I. & B.F. 316 SS	A.I. & B.F. 316 SS	A.I. & B.F. 316 SS	A.I. & B.F. VELBUNA	8 Req'd A.I. & B.F. STEEL
2 x 1 x 10	P/N DWG	0116289 122-049	0117652 122-049	0116293 122-050	0117651 122-050	0116206 116-040	0000431
2-1/2 x 1-1/2 x 10	P/N DWG	0116289 122-049	0117652 122-049	0116293 122-050	0117651 122-050	0116206 116-040	0000431
3 x 2 x 10	P/N DWG	0116290 122-049	0117652 122-049	0116294 122-050	0117651 122-050	0116206 116-040	0000431
4 x 3 x 10	P/N DWG	0116870 122-049	0117652 122-049	0116869 122-050	0117651 122-050	0116206 116-040	0000431
5 x 4 x 10	P/N DWG	0119089 122-049	0117652 122-049	0119086 122-050	0117651 122-050	0116206 116-040	0000431
6 x 4 x 10	P/N DWG	0119656 122-049	0117652 122-049	0119658 122-050	0117651 122-050	0116206 116-040	0000431
8 x 6 x 10	P/N DWG	0119657 122-049	0117652 122-049	0119659 122-050	0117651 122-050	0116206 116-040	0000431

DISCONTINUED

* Recommended spare parts

Liquid End Parts

SIZE		Item 1 Casing			Item 2 Impeller, Standard				
		Mat'l.	125# Fig.	250# Fig.	N.P.T.	1-1/4" - 3B FRAME		1-5/8" - 4B FRAME	
			A.I. & B.F. C.I.	A.I. & B.F. C.I.	A.I. & B.F. C.I.	A.I. C.I.	B.F. BRZ.	A.I. C.I.	B.F. BRZ.
3 x 1-1/2 x 13	P/N DWG	N.A.	0119174 42658	0116897 42550	0119080 36112	0117580 36112	0119081 36113	0117581 36113	
3 x 2 x 13	P/N DWG	N.A.	0117875 42593	0116899 42551	0116944 35959	0117587 35959	0116945 35960	0117588 35960	
4 x 3 x 13	P/N DWG	0116901 42552	0118943 42594	N.A.	0116947 35961	0117590 35961	0116948 35962	0117591 35962	
6 x 4 x 13	P/N DWG	0116903 42253	0117938 42597	N.A.	0116950 35963	0117593 35963	0116951 35964	0117594 35964	
4 x 3 x 15	P/N DWG	0118422 42632	0118424 42633	N.A.	N.A.	N.A.	0118416 36062	0119451 36062	
6 x 4 x 15	P/N DWG	0118456 42634	0118462 42635	N.A.	N.A.	N.A.	0118453 36068	0119457 36068	

SIZE		Item 1 Casing			Item 2 Impeller with Optional Wear Rings				
		Mat'l.	125# Fig.	250# Fig.	N.P.T.	1-1/4" - 3B FRAME		1-5/8" - 4B FRAME	
			A.I. & B.F. C.I.	A.I. & B.F. C.I.	A.I. & B.F. C.I.	A.I. C.I.	B.F. BRZ.	A.I. C.I.	B.F. BRZ.
3 x 1-1/2 x 13	P/N DWG	N.A.	0119174 42658	0116897 42550	0119139 36112	0119140 36112	0119158 36113	0119159 36113	
3 x 2 x 13	P/N DWG	N.A.	0117875 42593	0116899 42551	0119141 35959	0119142 35959	0119160 35960	0119161 35960	
4 x 3 x 13	P/N DWG	0116901 42552	0118943 42594	N.A.	0119143 35961	0119144 35961	0119162 35962	0119163 35962	
6 x 4 x 13	P/N DWG	0116903 42253	0117938 42597	N.A.	0116982 35963	0119670 35963	0116983 35964	0119669 35964	
4 x 3 x 15	P/N DWG	0118422 42632	0118424 42633	N.A.	N.A.	N.A.	0120443 36062	0120444 36062	
6 x 4 x 15	P/N DWG	0118458 42634	0118462 42635	N.A.	N.A.	N.A.	0120449 36068	0120450 36068	

SIZE		Item 8 Impeller Ring		Item 25 Casing Ring	Item 27 Cover Ring	* Item 73 Casing Gasket	Item 212 Cap Screw
		SUCT. SIDE A.I. & B.F. 316 SS	ADAPT. SIDE A.I. & B.F. 316 SS	A.I. & B.F. 316 SS	A.I. & B.F. 316 SS	A.I. & B.F. VELBUNA	8 Req'd ** A.I. & B.F. STEEL
3 x 1-1/2 x 13	P/N DWG	0119121 122-049	0119089 122-049	0119119 122-050	0119086 122-050	0116207 116-040	0000451
3 x 2 x 13	P/N DWG	0119121 122-049	0119089 122-049	0119119 122-050	0119086 122-050	0116207 116-040	0000451
4 x 3 x 13	P/N DWG	0116870 122-049	0119089 122-049	0116869 122-050	0119086 122-050	0116207 116-040	0000451
6 x 4 x 13	P/N DWG	0119656 122-049	0119089 122-049	0120209 122-050	0119086 122-050	0116207 116-040	0000451
4 x 3 x 15	P/N DWG	0120232 122-049	0119657 122-049	0118605 122-050	0119659 122-050	0120148 116-040	0000461
6 x 4 x 15	P/N DWG	0119656 122-049	0119657 122-049	0120209 122-050	0119659 122-050	0120148 116-040	0000461

* Recommended spare parts

** 12 Required on all 15" Sizes

DISCONTINUED

Repair Parts

This page intentionally left blank

Adapter Assembly

Item No.	Description	1B Frame	2B, 3B Frame	4B Frame	
14	Shaft Sleeve 316 SS P/N DWG	0104436 121-406	0116295 122-046	0119584 122-226	
* 26	Cap Screw 316 SS P/N	0053313	0053315	0080387	
* 30	Impeller Gasket Rulon P/N DWG	0068362 116-040	0068363 116-040	0080310 116-040	
32	Impeller Key Steel P/N DWG	0017546 113-334	0011260 113-336	0068338 119-152	
38	Sleeve Gasket Rulon P/N DWG	0068369 113-335	0068367 113-040	0068368 119-157	
71	Adapter	C.I. P/N 6" DWG	¹ 0116209A 42428	¹ 0116370A 42501	N.A.
		C.I. P/N 7" & 8" D.I. P/N DWG	¹ 0116213A ¹ 0118667A 42430	¹ 0116217A ¹ 0118677A 42503	N.A.
		C.I. P/N 10" D.I. P/N DWG	N.A.	¹ 0116744A ¹ 0118673A 42541	¹ 0119465A ¹ 0119632A 42663
		C.I. P/N 13" D.I. P/N DWG	N.A.	¹ 0117210A ¹ 0119243A 42562	¹ 0119347A ¹ 0119400A 42662
		C.I. P/N 15" D.I. P/N DWG	N.A.	N.A.	¹ 0119467A ¹ 0119832A 42665
* 89	Mechanical Seal	B.F. - BF1C1	0030880	0030886	0030890
		A.I. - BF171	0030881	0030887	0030891
		XF1C1	0088459	0106330	0119411
		XF171	0084881	0106331	0119412
203	Nameplate 302 SS P/N DWG	0079495 119-440	0079495 119-440	0079495 119-440	
208	Pipe Plug - 1/4" Steel (Cad. Plated) P/N	0002009	0002009	0002009	
		0001146	0001146	0001146	
214	Drive Screw - 2 Req'd Steel P/N	0001146	0001146	0001146	
216	Pipe Plug - 1/4" - 4 Req'd Steel (Cad. Plated) P/N	0002009	0002009	0002009	
		0000397	0000432	0000432	
219	Cap Screw - 4 Req'd Steel P/N	0000397	0000432	0000432	
* 270	Impeller Washer 316 SS P/N DWG	0081097 119-744	0068347 119-154	0080308 119-077	
*272	O-Ring Teflon P/N DWG	0068366 111-279	0068365 111-279	0080301 111-279	

DISCONTINUED

* Recommended spare parts
 Pump built before 8/12, Adapter Wear Rings were Standard
¹ Pumps built before 8/12, remove "A" suffix from part number

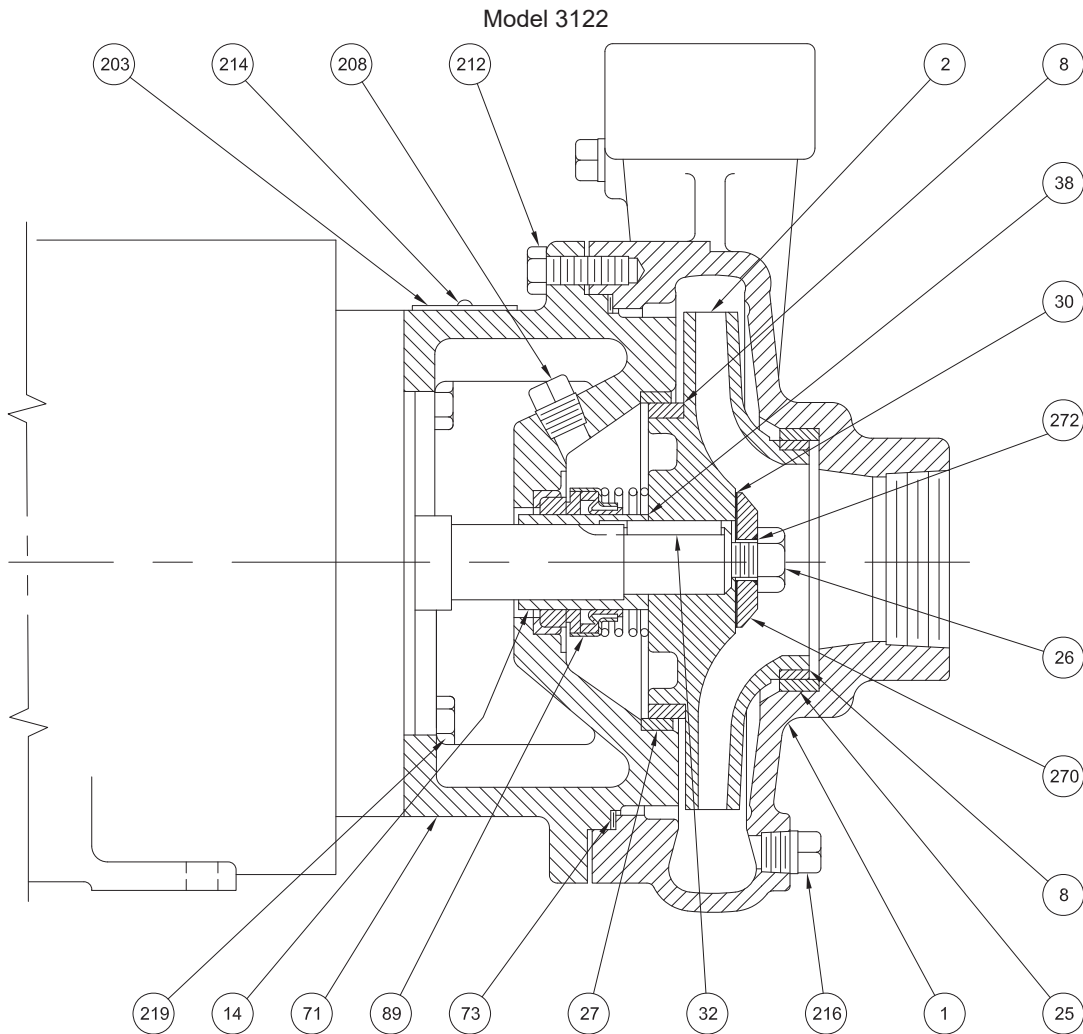
Repair Parts

Frame Assembly

Item No.	Description		1B Frame	2B Frame	3B Frame	4B Frame
6	Shaft - JM	4140 Steel P/N	0116198	0116725	0117901	0118980
		316 SS P/N	0118399	0118274	0118276	0119711
		DWG	29879	35924	36023	36105
* 16	Bearing, Inboard	P/N	0003314	0054430	0005266	0079980
* 18	Bearing, Outboard	P/N	0005271	0016456	0119027	0005273
19	Frame	C.I. P/N	0116191	0116764	0116858	0117323
		DWG	42491	42510	42548	42565
22	Bearing Lock Nut	Steel P/N	0003304	0003222	0006032	0039937
33	Bearing Housing	C.I. P/N	0116193	0116766	0116860	0117325
		DWG	29881	35881	35932	35985
46	Coupling Key	Steel P/N	0002195	0002204	0002204	0101351
		DWG	114-932	114-932	114-932	114-932
* 47	Lip Seal, I.B.	P/N	0116200	0104861	0104862	0104863
* 49	Lip Seal, O.B.	P/N	0116201	0104861	0104861	0104862
69	Bearing Lockwasher	Steel P/N	0003300	0002862	0046743	0007148
202	Snap Ring	Steel P/N	0116202	0058137	0116990	0080004
204	Bearing Housing Clip	Steel P/N	0116199	0116199	0117306	0116199
		DWG	122-048	122-048	122-164	122-048
207	Grease Fitting - 1/8" for grease lube	P/N	0003131	0003131	0003131	0003131
232	O-Ring	Synthetic Rubber P/N	0116203	0117029	0000179	0119352
		DWG	111-279	111-279	111-279	111-279
242	Grease Fitting - 1/8" for grease lube	P/N	0003131	0003131	0003131	0003131
273	Foot (Adapter) 6", 7", & 8"	C.I. P/N	0116197	0116803	0116803	N.A.
		DWG	29877	29897	29897	
		C.I. P/N	N.A.	0116741	0116741	0116741
		DWG		35926	35926	35926
274	Foot (Frame) 6", 7", & 8"	C.I. P/N	0116195	0116768	0116768	N.A.
		DWG	29878	29895	29895	
274	Foot (Frame) 10"	C.I. P/N	N.A.	0116770	0116770	0116768
		DWG		29896	29896	29895
274	Foot (Frame) 13"	C.I. P/N	N.A.	0117085	0117085	0117307
		DWG		35965	35965	35979
274	Foot (Frame) 15"	C.I. P/N	N.A.	N.A.	N.A.	0119469
		DWG				36130
276	Cap Screw (2 Req'd 6" Only)	Steel P/N	0003804	0003804	N.A.	N.A.
277	Cap Screw	Steel P/N	0000431 * *	0003404	0003404	0003404
337	Cap Screw	Steel P/N	0000342	0000342	0000342	0000342
701	Set Screw	Steel P/N	0003743	N.A.	0006709	N.A.

DISCONTINUED

* Recommended spare parts ** Only one required on 1B Frame



WARNING:

CANCER AND REPRODUCTIVE HARM -
WWW.P65WARNINGS.CA.GOV

DISCONTINUED

Item No.	Name of Part	Item No.	Name of Part
001	Casing	* 073	Casing Gasket
002	Impeller	* 089	Mechanical Seal
008	Impeller Ring (Optional)	203	Nameplate
014	Sleeve	208	Pipe Plug
025	Casing Ring	212	Cap Screw
* 026	Cap Screw	214	Drive Screw
** 027	Cover Ring (Optional)	216	Pipe Plug
* 030	Impeller Gasket	219	Cap Screw
032	Impeller Key	* 270	Impeller Washer
* 038	Gasket Sleeve	* 272	O-Ring
071	Adapter		

* Recommended spare parts

** Pump built before 8/12, Adapter Wear Rings were Standard



A Crane Co. Company

PUMPS & SYSTEMS

USA: (937) 778-8947 • Canada: (905) 457-6223 • International: (937) 615-3598

SECTION 95
PAGE 45
DATE 10/18

Repair Parts

Liquid End Parts

		Item 1 Casing	Item 2 Impeller, Standard			
SIZE	Mat'l.	A.I. & B.F. C.I.	7/8" - 143-215 JM		1-1/4" - 254-365 JM	
			A.I. C.I.	B.F. BRZ.	A.I. C.I.	B.F. BRZ.
1-1/2 x 1 x 6	P/N DWG	0116221 42492	0116235 35855	0116237 29882	N.A.	N.A.
2 x 1-1/2 x 6	P/N DWG	0116223 42493	0116239 35857	0116241 29883	0116243 35858	0116245 29884
3 x 2 x 6	P/N DWG	0116225 42494	0116247 35861	0116249 29885	0116251 35862	0116253 29886
4 x 3 x 6	P/N DWG	0117360 42572	0116255 35865	0116257 29887	0116259 35866	0116261 29888
3 x 2-1/2 x 7	P/N DWG	0119363 42629	0120434 36037	0118008 36037	0120435 36038	0118009 36038
1-1/2 x 1 x 8	P/N DWG	0116229 42496	0116263 35869	0116265 29889	0116267 35870	0116269 29890
2 x 1-1/2 x 8	P/N DWG	0116231 42497	0116271 35873	0116273 29891	0116275 35874	0116277 29892
3 x 2 x 8	P/N DWG	0116233 42498	0116279 35877	0116281 29893	0116283 35878	0116285 29894
4 x 3 x 8	P/N DWG	0116772 42499	0116784 35895	0117344 29986	0116785 35896	0117345 29987
6 x 4 x 8	P/N DWG	0116774 42500	0119643 36139	0119644 36139	0117846 36014	0117574 36014

		Item 1 Casing	Item 2 Impeller with Optional Impeller Wear Rings			
SIZE	Mat'l.	A.I. & B.F. C.I.	7/8" - 143-215 JM		1-1/4" - 254-365 JM	
			A.I. C.I.	B.F. BRZ.	A.I. C.I.	B.F. BRZ.
1-1/2 x 1 x 6	P/N DWG	0116221 42492	0116304 35855	0116305 29882	N.A.	N.A.
2 x 1-1/2 x 6	P/N DWG	0116223 42493	0116306 35857	0116307 29883	0116308 35858	0116309 29884
3 x 2 x 6	P/N DWG	0116225 42494	0116310 35861	0116311 29885	0116312 35862	0116313 29886
4 x 3 x 6	P/N DWG	0117360 42572	0116314 35865	0116315 29887	0116316 35866	0116317 29888
3 x 2-1/2 x 7	P/N DWG	0119363 42629	0120436 36037	0118645 36037	0120437 36038	0118646 36038
1-1/2 x 1 x 8	P/N DWG	0116229 42496	0116318 35869	0116319 29889	0116320 35870	0116321 29890
2 x 1-1/2 x 8	P/N DWG	0116231 42497	0116322 35873	0116323 29891	0116324 35874	0116325 29892
3 x 2 x 8	P/N DWG	0116233 42498	0116326 35877	0116327 29893	0116328 35878	0116329 29894
4 x 3 x 8	P/N DWG	0116772 42499	0116884 35895	0117385 29986	0116885 35896	0117386 29987
6 x 4 x 8	P/N DWG	0116774 42500	0119645 36139	0119646 36139	0117137 36014	0119138 36014

DISCONTINUED

* Recommended spare parts

Liquid End Parts

SIZE	Mat'l.	Item 8 Impeller Ring		Item 25 Casing Ring	Item 27 Cover Ring	* Item 73 Casing Gasket	Item 212 Cap Screw
		SUCT. SIDE A.I. & B.F. 316 SS	ADAPT. SIDE A.I. & B.F. 316 SS	A.I. & B.F. 316 SS	A.I. & B.F. 316 SS	A.I. & B.F. VELBUNA	8 Req'd A.I. & B.F. STEEL
1-1/2 x 1 x 6	P/N DWG	0116288 122-049	0116287 122-049	0116292 122-050	0116291 122-050	0116204 116-040	0006415
2 x 1-1/2 x 6	P/N DWG	0116289 122-049	0116287 122-049	0116293 122-050	0116291 122-050	0116204 116-040	0006415
3 x 2 x 6	P/N DWG	0116290 122-049	0116287 122-049	0116294 122-050	0116291 122-050	0116204 116-040	0006415
4 x 3 x 6	P/N DWG	0116287 122-049	0116287 122-049	0116291 122-050	0116291 122-050	0116204 116-040	0006415
3 x 2-1/2 x 7	P/N DWG	0116290 122-049	0116287 122-049	0116294 122-050	0116291 122-050	0116205 116-040	0000432
1-1/2 x 1 x 8	P/N DWG	0116289 122-049	0116287 122-049	0116293 122-050	0116291 122-050	0116205 116-040	0000432
2 x 1-1/2 x 8	P/N DWG	0116289 122-049	0116287 122-049	0116293 122-050	0116291 122-050	0116205 116-040	0000432
3 x 2 x 8	P/N DWG	0116290 122-049	0116287 122-049	0116294 122-050	0116291 122-050	0116205 116-040	0000432
4 x 3 x 8	P/N DWG	0116870 122-049	0116287 122-049	0116869 122-050	0116291 122-050	0116205 116-040	0000432
6 x 4 x 8	P/N DWG	0119088 122-049	0116287 122-049	0118605 122-050	0116291 122-050	0116205 116-040	0000432

SIZE	Mat'l.	Item 1 Casing			Item 2 Impeller, Standard			
		125# Fig. A.I. & B.F. C.I.	250# Fig. A.I. & B.F. D.I.	NPT A.I. & B.F. C.I.	7/8" - 143-215 JM		1-1/4" - 254-365 JM	
					A.I. C.I.	B.F. BRZ.	A.I. C.I.	B.F. BRZ.
2 x 1 x 10	P/N DWG	N.A.	N.A.	0116776 42525	0116790 35899	0117347 29988	0116791 35900	0117348 29989
2 x 1-1/2 x 10	P/N DWG	N.A.	N.A.	0116778 42526	0116793 35901	0117350 29990	0116794 35902	0117351 29991
3 x 2 x 10	P/N DWG	N.A.	N.A.	0116780 42527	0116796 35903	0117353 29992	0116797 35904	0117354 29993
4 x 3 x 10	P/N DWG	0116782 42528	0118915 42653	N.A.	0117364 35990	0117367 29998	0116800 35918	0117357 29995
5 x 4 x 10	P/N DWG	0116895 42549	0119782 42673	N.A.	0120113 36163	0120114 36163	0119013 36106	0119166 36106
6 x 4 x 10	P/N DWG	0117808 42585	0119937 42678	N.A.	0120115 36164	0120116 36164	0117805 36011	0117813 36011
8 x 6 x 10	P/N DWG	0117761 42579	0119941 42677	N.A.	0120117 36165	0120118 36165	0117772 36006	0117838 36006

DISCONTINUED

* Recommended spare parts

Repair Parts

Liquid End Parts

SIZE	Mat'l.	Casing			Impeller with optional Impeller Wear Rings			
		125# Fig. A.I. & B.F. C.I.	250# Fig. A.I. & B.F. D.I.	NPT A.I. & B.F. C.I.	1-1/4" - 2B, 3B Frame		1-5/8" - 4B Frame	
					A.I. C.I.	B.F. BRZ.	A.I. C.I.	B.F. BRZ.
2 x 1 x 10	P/N DWG	N.A.	N.A.	0116776 42525	0116886 35899	0117387 29988	0117887 35900	0117388 29989
2 x 1-1/2 x 10	P/N DWG	N.A.	N.A.	0116778 42526	0116888 35901	0117389 29990	0116889 35902	0117390 29991
3 x 2 x 10	P/N DWG	N.A.	N.A.	0116780 42527	0116890 35903	0117391 29992	0116891 35904	0117392 29993
4 x 3 x 10	P/N DWG	0116782 42528	0118915 42653	N.A.	0117366 35990	0117393 29998	0116892 35918	0117394 29995
5 x 4 x 10	P/N DWG	0116895 42549	0119782 42673	N.A.	0120500 36163	0120501 36163	0119604 36106	0119605 36106
6 x 4 x 10	P/N DWG	0117808 42585	0119937 42678	N.A.	0120502 36164	0120503 36164	0116974 36011	0119652 36011
8 x 6 x 10	P/N DWG	0117761 42579	0119941 42677	N.A.	0120504 36165	0120505 36165	0118058 36006	0119654 36006

SIZE	Mat'l.	Item 8 Casing Ring		Item 25 Casing Ring	Item 27 Cover Ring	* Item 73 Casing Gasket	Item 212 Cap Screw
		SUCT. SIDE A.I. & B.F. 316 SS	ADAPT. SIDE A.I. & B.F. 316 SS	A.I. & B.F. 316 SS	A.I. & B.F. 316 SS	A.I. & B.F. VELBUNA	8 Req'd A.I. & B.F. STEEL
2 x 1 x 10	P/N DWG	0116289 122-049	0116289 122-049	0116293 122-050	0117651 122-050	0116206 116-040	0000431
2 x 1-1/2 x 10	P/N DWG	0116289 122-049	0116289 122-049	0116293 122-050	0117651 122-050	0116206 116-040	0000431
3 x 2 x 10	P/N DWG	0116290 122-049	0116290 122-049	0116294 122-050	0117651 122-050	0116206 116-040	0000431
4 x 3 x 10	P/N DWG	0116870 122-049	0116870 122-049	0116869 122-050	0117651 122-050	0116206 116-040	0000431
5 x 4 x 10	P/N DWG	0119089 122-049	0119652 122-049	0119086 122-050	0117651 122-050	0116206 116-040	0000431
6 x 4 x 10	P/N DWG	0119656 122-049	0117652 122-049	0119658 122-050	0117651 122-050	0116206 116-040	0000431
8 x 6 x 10	P/N DWG	0119657 122-049	0117692 122-049	0119659 122-050	0117651 122-050	0116206 116-040	0000431

DISCONTINUED

* Recommended spare parts

Liquid End Parts

SIZE Mat'l.		Item 1 Casing			Item 2 Impeller, Standard			
		125# Fig. A.I. & B.F. C.I.	250# Fig. A.I. & B.F. C.I.	N.P.T. A.I. & B.F. C.I.	7/8" - 143-215 JM		1-1/4" - 254-365 JM	
					A.I. C.I.	B.F. BRZ.	A.I. C.I.	B.F. BRZ.
3 x 1-1/2 x 13	P/N DWG	N.A.	0119174 42658	0116897 42550	0120102 36159	0120103 36159	0119080 36112	0117580 36112
3 x 2 x 13	P/N DWG	N.A.	0117875 42593	0116899 42551	0120104 36160	0120105 36160	0116944 35959	0117587 35959
4 x 3 x 13	P/N DWG	0116901 42552	0118943 42594	N.A.	0120106 36161	0120107 36161	0116947 35961	0117590 35961
6 x 4 x 13	P/N DWG	0116903 42253	0117938 42597	N.A.	0120108 36162	0120109 36162	0116950 35963	0117593 35963
4 x 3 x 15	P/N DWG	0118422 42632	0118424 42633	N.A.	N.A.	N.A.	0118415 36061	0119450 36061
6 x 4 x 15	P/N DWG	0118456 42634	0118462 42635	N.A.	N.A.	N.A.	0118452 36067	0119456 36067

SIZE Mat'l.		Item 1 Casing			Item 2 Impeller with Optional Wear Rings			
		125# Fig. A.I. & B.F. C.I.	250# Fig. A.I. & B.F. C.I.	N.P.T. A.I. & B.F. C.I.	7/8" - 143-215 JM		1-1/4" - 254-365 JM	
					A.I. C.I.	B.F. BRZ.	A.I. C.I.	B.F. BRZ.
3 x 1-1/2 x 13	P/N DWG	N.A.	0119174 42658	0116897 42550	0120490 36159	0120491 36159	0119139 36112	0119140 36112
3 x 2 x 13	P/N DWG	N.A.	0117875 42593	0116899 42551	0120492 36160	0120493 36160	0119141 35959	0119142 35959
4 x 3 x 13	P/N DWG	0116901 42552	0118943 42594	N.A.	0120494 36161	0120495 36161	0119143 35961	0119144 35961
6 x 4 x 13	P/N DWG	0116903 42253	0117938 42597	N.A.	0120496 36162	0120497 36162	0116892 35963	0119670 35963
4 x 3 x 15	P/N DWG	0118422 42632	0118424 42633	N.A.	N.A.	N.A.	0120228 36061	0120230 36061
6 x 4 x 15	P/N DWG	0118456 42634	0118462 42635	N.A.	N.A.	N.A.	0120452 36067	0120453 36067

SIZE Mat'l.		Item 8 Impeller Ring		Item 25 Casing Ring	Item 27 Cover Ring	* Item 73 Casing Gasket	Item 212 Cap Screw
		SUCT. SIDE A.I. & B.F. 316 SS	ADAPT. SIDE A.I. & B.F. 316 SS	A.I. & B.F. 316 SS	A.I. & B.F. 316 SS	A.I. & B.F. VELBUNA	8 Req'd ** A.I. & B.F. STEEL
3 x 1-1/2 x 13	P/N DWG	0119121 122-049	0119089 122-049	0119119 122-050	0119086 122-050	0116207 116-040	0000451
3 x 2 x 13	P/N DWG	0119121 122-049	0119089 122-049	0119119 122-050	0119086 122-050	0116207 116-040	0000451
4 x 3 x 13	P/N DWG	0116870 122-049	0119089 122-049	0116869 122-050	0119086 122-050	0116207 116-040	0000451
6 x 4 x 13	P/N DWG	0119656 122-049	0119089 122-049	0120209 122-050	0119086 122-050	0116207 116-040	0000451
4 x 3 x 15	P/N DWG	0120232 122-049	0119657 122-049	0118605 122-050	0119659 122-050	0120148 116-040	0000461
6 x 4 x 15	P/N DWG	0119656 122-049	0119657 122-049	0120209 122-050	0119659 122-050	0120148 116-040	0000461

* Recommended spare parts

** 12 Required on all 15" Pumps & Sizes

DISCONTINUED

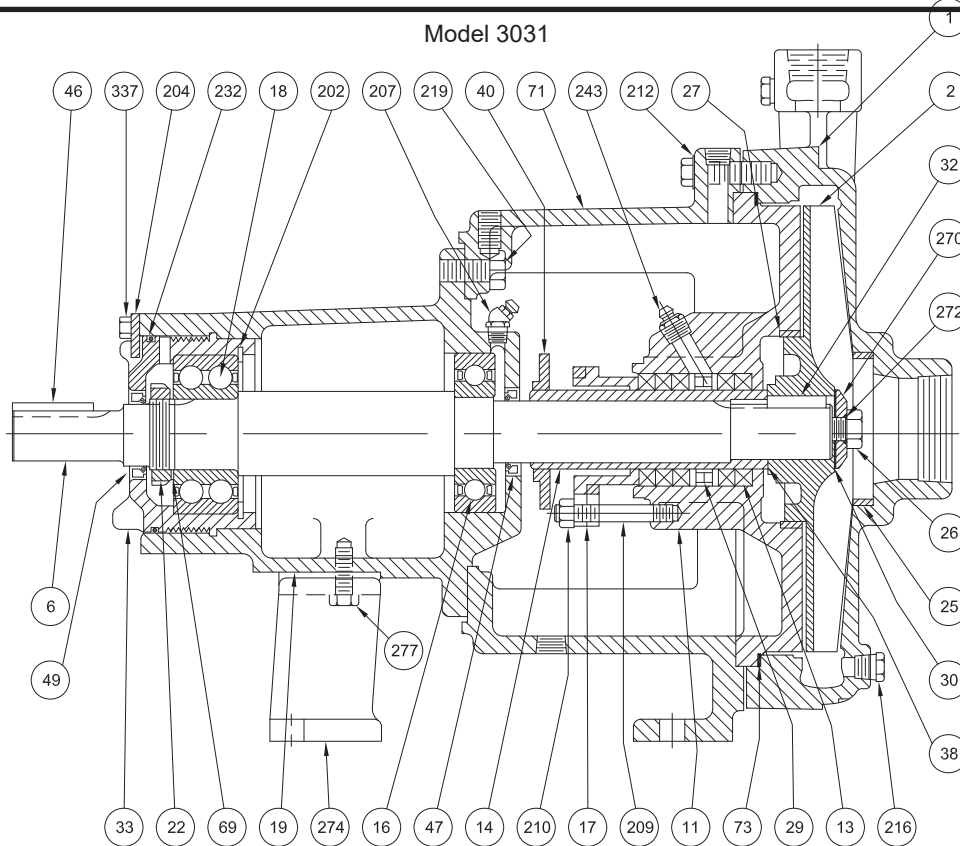
Repair Parts

Adapter Assembly

Item No.	Description	143 - 184 JM	213 - 215 JM	254 - 256 JM	284 - 365 JM	
14	Shaft Sleeve 316 SS P/N DWG	0104436 121-406	0104436 121-406	0116295 122-046	0116295 122-046	
* 26	Cap Screw 316 SS P/N	0053313	0053313	0053315	0053315	
* 30	Impeller Gasket Rulon P/N DWG	0068362 116-040	0068362 116-040	0068363 116-040	0068363 116-040	
32	Impeller Key Steel P/N DWG	0017546 113-334	0017546 113-334	0011260 113-336	0011260 113-336	
38	Sleeve Gasket Rulon P/N DWG	0068369 113-335	0068369 113-335	0068367 113-040	0068367 113-040	
71	Adapter C.I. P/N 6" DWG	¹ 0116209A 42428	¹ 0116211A 42429	¹ 0116370A 42501	¹ 0116756A 42502	
		¹ 0116213A 7" & 8" D.I. P/N DWG	¹ 0116215A 42430	¹ 0116217A 42503	¹ 0116219A 42504	
		¹ 0116754A 10" D.I. P/N DWG	¹ 0116754A 42540	¹ 0116744A 42541	¹ 0116752A 42542	
		¹ 0118671A 13" D.I. P/N DWG	N.A.	¹ 0117208A 42561	¹ 0117210A 42562	¹ 0117212A 42563
		¹ 0118667A 15" D.I. P/N DWG	N.A.	N.A.	0119847 42675	N.A.
* 89	Mechanical Seal B.F. - BF1C1 A.I. - BF171 XF1C1 XF171	0030880 0030881 0088459 0084881	0030880 0030881 0088459 0084881	0030886 0030887 0106330 0106331	0030886 0030887 0106330 0106331	
203	Nameplate 302 SS P/N DWG	0079495 119-440	0079495 119-440	0079495 119-440	0079495 119-440	
208	Pipe Plug - 1/4" Steel (Cad. Plated) P/N	0002009	0002009	0002009	0002009	
214	Drive Screw - 2 Req'd Steel P/N	0001146	0001146	0001146	0001146	
216	Pipe Plug - 1/4" - 4 Req'd Steel (Cad. Plated) P/N	0002009	0002009	0002009	0002009	
219	Cap Screw - 4 Req'd Steel P/N	0000397	0000432	0000432	0000441	
* 270	Impeller Washer 316 SS P/N DWG	0081097 119-744	0081097 119-744	0068347 119-154	0068347 119-154	
*272	O-Ring Teflon P/N DWG	0068366 111-279	0068366 111-279	0068365 111-279	0068365 111-279	

DISCONTINUED

* Recommended spare parts
Pump built before 8/12, Adapter Wear Rings were Standard
¹ Pumps built before 8/12, remove "A" suffix from part number



WARNING:
 CANCER AND REPRODUCTIVE HARM -
 WWW.P65WARNINGS.CA.GOV

DISCONTINUED

Item No.	Name of Part	Item No.	Name of Part	Item No.	Name of Part
001	Casing	* 047	Lip Seal (I.B.)	* 232	Adjustable Nut O-Ring
002	Impeller	* 049	Lip Seal (O.B.)	236	Frame Pipe Plug (Not Shown)
006	Shaft	069	Bearing Lockwasher	242	Frame Grease Fitting (Not Shown)
011	Packing Box Cover	071	Adapter	243	Grease Fitting
* 013	Packing	* 073	Casing Gasket	242	Frame Grease Fitting (Not Shown)
* 014	Shaft Sleeve	* 089	Seal (Not Shown)	243	Grease Fitting
* 016	Bearing (Inboard)	202	Snap Ring	251	Seal Gland (Not Shown)
017	Split Gland	203	Nameplate (Not Shown)	259	Gland Gasket (Not Shown)
* 018	Bearing (Outboard)	204	Bearing Housing Clip	* 270	Impeller Washer
019	Frame	206	Gland Clip (Not Shown)	* 272	Impeller Washer O-Ring
022	Bearing Lock Nut	207	Grease Fitting	273	Foot (Adapter) (2B Frame Only)
025	Casing Wear Ring	208	Pipe Plug (Not Shown)	274	Foot (Frame)
* 026	Impeller Cap Screw	209	Gland Stud	277	Cap Screw
027	P.B. Cover Wear Ring	210	Nut	337	Clip Cap Screw
* 029	Lantern Ring	212	Cap Screw	701	Set Screw (Not Shown)
* 030	Impeller Washer Gasket	214	Drive Screw (Not Shown)	709	Set Screw (Not Shown)
032	Impeller Key	216	Casing Pipe Plug	714	Frame Pipe Plug (Not Shown)
033	Bearing Housing	217	Cap Screw (Not Shown)		
* 038	Gasket Sleeve	219	Cap Screw		
040	Deflector	230	Spring Holder (Not Shown)		
046	Coupling Key				

* Recommended spare parts



Repair Parts

Liquid End Parts

SIZE	Item 1 Casing	Item 2 Impeller, Standard				
		A.I. & B.F. C.I.	7/8" - 1B Frame		1-1/4" - 2B Frame	
			A.I. C.I.	B.F. BRZ.	A.I. C.I.	B.F. BRZ.
1-1/2 x 1 x 6	P/N DWG 0116297 42492	0116514 35856	0117470 35856	N.A.	N.A.	
2 x 1-1/2 x 6	P/N DWG 0116298 42493	0116516 35859	0117472 35859	0116517 35860	0117473 35860	
3 x 2 x 6	P/N DWG 0116299 42494	0116519 35863	0117475 35863	0116520 35864	0117476 35864	
4 x 3 x 6	P/N DWG 0118128 42572	0116905 35934	0117478 35934	0116906 35935	0117479 35935	
3 x 2-1/2 x 7	P/N DWG 0118312 42629	0119402 36126	0119403 36126	0119404 36127	0119405 36127	
1-1/2 x 1 x 8	P/N DWG 0116301 42496	0116525 35871	0117481 35871	0116526 35872	0117482 35872	
2 x 1-1/2 x 8	P/N DWG 0116302 42497	0116528 35875	0117484 35875	0116529 35876	0117485 35876	
3 x 2 x 8	P/N DWG 0116303 42498	0116531 35879	0117487 35879	0116532 35880	0117488 35880	
4 x 3 x 8	P/N DWG 0118130 42499	0116908 35936	0117528 35936	0116909 35937	0117529 35937	
6 x 4 x 8	P/N DWG 0116774 42500	N.A.	N.A.	0119527 36137	0119530 36137	

DISCONTINUED

SIZE	Item 25 Casing Ring	Item 27 Cover Ring	* Item 73 Casing Gasket	Item 212 Cap Screw
1-1/2 x 1 x 6	P/N DWG 0116591 122-143	0116291 122-050	0116204 116-040	0006415
2 x 1-1/2 x 6	P/N DWG 0116593 122-143	0116291 122-050	0116204 116-040	0006415
3 x 2 x 6	P/N DWG 0116594 122-143	0116291 122-050	0116204 116-040	0006415
4 x 3 x 6	P/N DWG 0116291 122-050	0116291 122-050	0116204 116-040	0006415
3 x 2-1/2 x 7	P/N DWG 0116594 122-143	0116291 122-050	0116205 116-040	0000432
1-1/2 x 1 x 8	P/N DWG 0116592 122-143	0116291 122-050	0116205 116-040	0000432
2 x 1-1/2 x 8	P/N DWG 0116593 122-143	0116291 122-050	0116205 116-040	0000432
3 x 2 x 8	P/N DWG 0116594 122-143	0116291 122-050	0116205 116-040	0000432
4 x 3 x 8	P/N DWG 0116871 122-143	0116291 122-050	0116205 116-040	0000432
6 x 4 x 8	P/N DWG 0119090 122-143	0116291 122-050	0116205 116-040	0000432

* Recommended spare parts

Liquid End Parts

		Item 1 Casing			Item 2 Impeller, Standard			
SIZE	Mat'l. P/N DWG	125# Fig.	250# Fig.	NPT	1-1/4" - 2B, 3B Frames		1-5/8" - 4B Frame	
		A.I. & B.F. C.I.	A.I. & B.F. D.I.	A.I. & B.F. C.I.	A.I. C.I.	B.F. BRZ.	A.I. C.I.	B.F. BRZ.
2 x 1 x 10	P/N DWG	N.A.	N.A.	0116776 42525	0116913 35939	0117531 35939	N.A.	N.A.
2 x 1-1/2 x 10	P/N DWG	N.A.	N.A.	0118039 42615	0116915 35940	0117533 35940	N.A.	N.A.
3 x 2 x 10	P/N DWG	N.A.	N.A.	0116780 42527	0116917 35941	0117535 35941	N.A.	N.A.
3 x 2 x 10H	P/N DWG	0117867 42591	0117865 42590	N.A.	0117726 35995	0118099 35995	N.A.	N.A.
4 x 3 x 10	P/N DWG	0116782 42528	0118915 42653	N.A.	0116920 35943	0117538 35943	N.A.	N.A.
4 x 3 x 10H	P/N DWG	0117731 42573	N.A.	N.A.	0117728 35996	0118101 35996	N.A.	N.A.
5 x 4 x 10	P/N DWG	0116895 42549	0119782 42673	N.A.	0116923 35945	0117543 35945	0116924 35946	0117544 35946
6 x 4 x 10	P/N DWG	0117808 42585	0119937 42678	N.A.	0117802 36009	0117810 36009	0117803 36010	0117811 36010
8 x 6 x 10	P/N DWG	0117762 42579	0119941 42677	N.A.	0117920 36024	0119648 36024	0117921 36025	0119649 36025

		Item 25 Casing Ring	Item 27 Cover Ring	* Item 73 Casing Gasket	Item 212 Cap Screw
SIZE	Mat'l. P/N DWG	A.I. & B.F.	A.I. & B.F.	A.I. & B.F.	8 Req'd
		316 SS	316 SS	VELBUNA	A.I. & B.F. STEEL
2 x 1 x 10	P/N DWG	0116592 122-143	0117651 122-050	0116206 116-040	0000431
2-1/2 x 1-1/2 x 10	P/N DWG	0116593 122-143	0117651 122-050	0116206 116-040	0000431
3 x 2 x 10	P/N DWG	0116594 122-143	0117651 122-050	0116206 116-040	0000431
3 x 2 x 10H	P/N DWG	0116594 122-143	0117651 122-050	0116206 116-040	0000431
4 x 3 x 10	P/N DWG	0116871 122-143	0117651 122-050	0116206 116-040	0000431
4 x 3 x 10H	P/N DWG	N.A.	0117651 122-050	0116206 116-040	0000431
5 x 4 x 10	P/N DWG	0119582 122-143	0117651 122-050	0116206 116-040	0000431
6 x 4 x 10	P/N DWG	0119650 122-143	0117651 122-050	0116206 116-040	0000431
8 x 6 x 10	P/N DWG	0119651 122-143	0117651 122-050	0116206 116-040	0000431

DISCONTINUED

* Recommended spare parts

Repair Parts

Liquid End Parts

		Item 1 Casing			Item 2 Impeller, Standard			
SIZE	Mat'l.	125# Fig.	250# Fig.	N.P.T.	1-1/4" - 3B FRAME		1-5/8" - 4B FRAME	
		A.I. & B.F. C.I.	A.I. & B.F. C.I.	A.I. & B.F. C.I.	A.I. C.I.	B.F. BRZ.	A.I. C.I.	B.F. BRZ.
3 x 1-1/2 x 13	P/N DWG	N.A.	0119174 42658	0116897 42550	0116926 36117	0117546 36117	0116927 36118	0117547 36118
3 x 2 x 13	P/N DWG	N.A.	0117875 42593	0116899 42551	0119082 36114	0117595 36114	0119083 36115	0117596 36115
4 x 3 x 13	P/N DWG	0116901 42552	0118943 42594	N.A.	0116932 35951	0117598 35951	0116933 35952	0117599 35952
6 x 4 x 13	P/N DWG	0116903 42253	0117938 42597	N.A.	0116935 35953	0117601 35953	0116936 35954	0117602 35954
4 x 3 x 15	P/N DWG	0118422 42632	0118424 42633	N.A.	N.A.	N.A.	0118420 36065	0119454 36065
6 x 4 x 15	P/N DWG	0118458 42634	0118462 42635	N.A.	N.A.	N.A.	0118456 36070	0119460 36070

		Item 25 Casing Ring	Item 27 Cover Ring	* Item 73 Casing Gasket	Item 212 Cap Screw
SIZE	Mat'l.	A.I. & B.F.	A.I. & B.F.	A.I. & B.F.	8 Req'd **
		316 SS	316 SS	VELBUNA	A.I. & B.F. STEEL
3 x 1-1/2 x 13	P/N DWG	0119091 122-143	0119086 122-050	0116207 116-040	0000451
3 x 2 x 13	P/N DWG	0119091 122-143	0119086 122-050	0116207 116-040	0000451
4 x 3 x 13	P/N DWG	0119092 122-143	0119086 122-050	0116207 116-040	0000451
6 x 4 x 13	P/N DWG	0119673 122-143	0119086 122-050	0116207 116-040	0000451
4 x 3 x 15	P/N DWG	0120210 122-143	0119659 122-050	0120148 116-040	0000461
6 x 4 x 15	P/N DWG	0120427 122-143	0119659 122-050	0120148 116-040	0000461

DISCONTINUED

* Recommended spare parts

** 12 Required on all 15" Sizes

Adapter Assembly

Item No.	Description		1B FRAME	2B, 3B FRAME	4B FRAME
11	Std Cover - C.I. For Seals; Chesterston 123, S20 John Crane 4200, 4202 Durametallic P200	6" P/N	0116433	0116437	N.A.
		8" P/N	0116435	0116439	N.A.
		10" P/N	N.A.	0116984	0117936
		13" P/N	N.A.	0117216	0117218
		15" P/N	N.A.	N.A.	0119475
		6" P/N	0118120	0116437	N.A.
		8" P/N	0118122	0116439	N.A.
		10" P/N	N.A.	0116984	0117936
		13" P/N	N.A.	0117216	0117218
		15" P/N	N.A.	N.A.	0119475
14	Std. Shaft Sleeve	316 SS P/N	0099115	0116821	0117926
		416 SS P/N	0073456	0116762	0117928
		440C SS P/N	0075358	0116819	0117927
		DWG.	113-331	122-152	122-196
		316 SS P/N	0118150	0118151	0117929
		DWG.	122-208	122-209	122-197
Shaft Sleeve, JC - 1B	316 SS P/N	0118153	0118154	0120549	
	DWG.	122-210	122-211	122-247	
Shaft Sleeve, JC - 9BT (Clamped)	316 SS P/N	0118153	0118154	0120549	
	DWG.	122-210	122-211	122-247	
* 26	Cap Screw	316 SS P/N	0053313	0053315	0080387
* 30	Impeller Gasket	Rulon P/N	0068362	0068363	0080310
		DWG	116-040	116-040	116-040
32	Impeller Key	Steel P/N	0017546	0011260	0068338
		DWG	113-334	113-336	119-152
38	Sleeve Gasket	Rulon P/N	0068369	0068367	0068368
		DWG	113-335	119-156	119-157
71	Adapter	C.I. P/N	0116417	0116425	N.A.
		6" DWG	42408	42505	N.A.
		C.I. P/N	0116419	0116429	N.A.
		7" & 8" DWG	42409	42507	N.A.
		C.I. P/N	N.A.	0116986	0116986
10" DWG	N.A.	42537	42537		
C.I. P/N	N.A.	0117204	0117204		
13" DWG	N.A.	42559	42559		
C.I. P/N	N.A.	N.A.	0119493		
15" DWG	N.A.	N.A.	42666		
203	Nameplate	302 SS P/N	0079495	0079495	0079495
		DWG	119-440	119-440	119-440
208	Pipe Plug - 1/4"	Steel (Cad. Plated) P/N	0002009	0002009	0002009
214	Drive Screw - 2 Req'd	Steel P/N	0001146	0001146	0001146
216	Pipe Plug - 1/4" - 4 Req'd	Steel (Cad. Plated) P/N	0002009	0002009	0002009
217	Cap Screw - 2 Req'd	Steel P/N			
219	Cap Screw - 4 Req'd	Steel P/N	0000397	0000432	0000432
* 270	Impeller Washer	316 SS P/N	0081097	0068347	0080308
		DWG	119-744	119-154	119-077
*272	O-Ring	Teflon P/N	0068366	0068365	0080301
		DWG	111-279	111-279	111-279

DISCONTINUED

* Recommended spare parts

Repair Parts

Frame Assembly

Item No.	Description		1B Frame	2B Frame	3B Frame	4B Frame
6	Shaft - JP	4140 Steel P/N	0116563	0116726	0116872	0118224
		316 SS P/N	0116562	0117725	0119145	0119674
		DWG	29880	35925	35933	36047
* 16	Bearing, Inboard	P/N	0003314	0054430	0005266	0079980
* 18	Bearing, Outboard	P/N	0005271	0016456	0119027	0005273
19	Frame	C.I. P/N	0116191	0116764	0116858	0117323
		DWG	42491	42510	42548	42565
22	Bearing Lock Nut	Steel P/N	0003304	0003222	0006032	0039937
33	Bearing Housing	C.I. P/N	0116193	0116766	0116860	0117325
		DWG	29881	35881	35932	35985
46	Coupling Key	Steel P/N	0002195	0002204	0002204	0101351
		DWG	114-932	114-932	11-932	114-932
* 47	Lip Seal, I.B.	P/N	0116200	0104861	0104862	0104863
* 49	Lip Seal, O.B.	P/N	0116201	0104861	0104861	0104862
69	Bearing Lockwasher	Steel P/N	0003300	0002862	0046743	0007148
202	Snap Ring	Steel P/N	0116202	0058137	0116990	0080004
204	Bearing Housing Clip	Steel P/N	0116199	0116199	0117306	0116199
		DWG	122-048	122-048	122-164	122-048
207	Grease Fitting - 1/8" for grease lube	P/N	0003131	0003131	0003131	0003131
232	O-Ring	Synthetic Rubber P/N	0116203	0117029	0000179	0119352
		DWG	111-279	111-279	111-279	111-279
236	Frame Pipe Plug - 1/4"	Steel (Cad. Plated) P/N	0002009	0002009	0002009	0002009
242	Grease Fitting - 1/8" for grease lube	P/N	0003131	0003131	0003131	0003131
273	Foot (Adapter) 6"	C.I. P/N	N.A.	0116803	N.A.	N.A.
		DWG		29897		
274	Foot (Frame) 6" & 8"	C.I. P/N	0116195	0116768	0116768	N.A.
		DWG	29878	29895	29895	
		C.I. P/N	N.A.	0116770	0116770	0116768
		DWG		29896	29896	29895
274	Foot (Frame) 10"	C.I. P/N	N.A.	0117085	0117085	0117307
		DWG		35965	35965	35979
274	Foot (Frame) 13"	C.I. P/N	N.A.	N.A.	N.A.	0119469
		DWG				36130
274	Foot (Frame) 15"	C.I. P/N	N.A.	N.A.	N.A.	0119469
		DWG				36130
276	Cap Screw (2 Req'd 6" Only)	Steel P/N	0003804	0003804	0003804	0003804
277	Cap Screw	Steel P/N	0000431 **	0003404	0003404	0003404
337	Cap Screw	Steel P/N	0000342	0000342	0000342	0000342
701	Set Screw	Steel P/N	0003743	N.A.	0006709	N.A.
714	Frame Pipe Plug	Steel P/N	0002553	0002553	0002553	0002553

DISCONTINUED

* Recommended spare parts ** Only one required on 1B Frame

This page intentionally left blank

Repair Parts

Packing and Mechanical Seal Assemblies

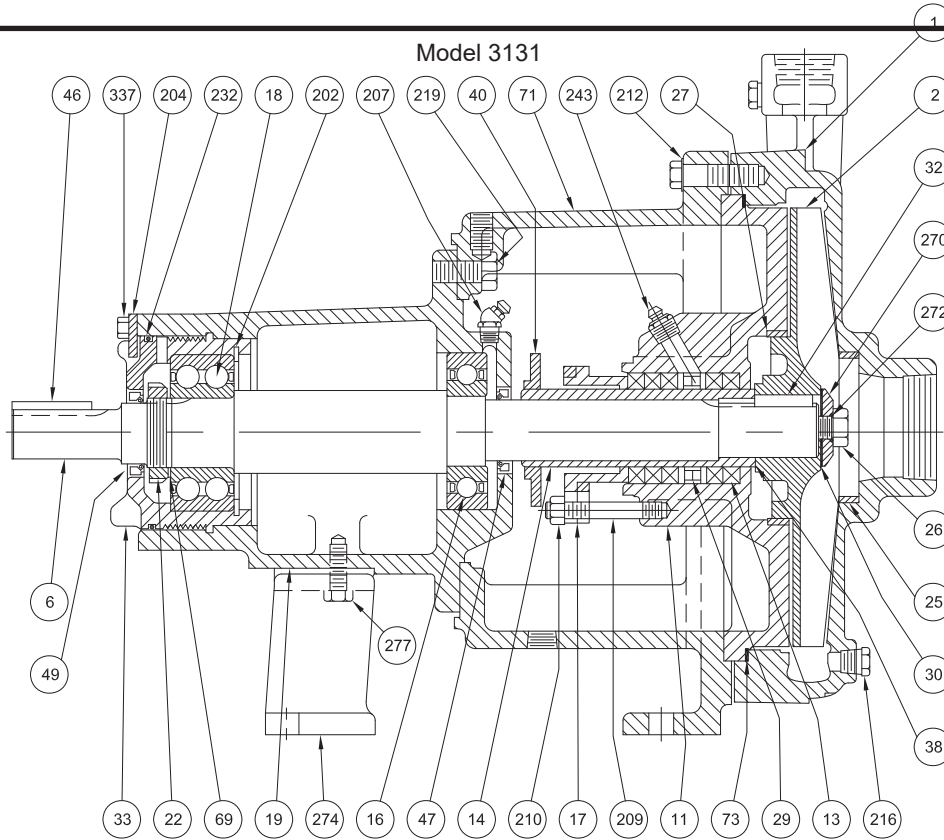
Item No.	Description	1-1/4" 1B Frame Part No.	1-3/4" 2B & 3B Frames Part No.	2-1/8" 4B Frame Part No.
* 13	Packing (5 Req'd) Packing (5 Req'd) 30% Teflon	0030713 0034040	0035045 0057155	0040031 0068473
17	Split Gland 4140 SS	0057000	0043731	131366
29	Lantern Ring (2 Req'd) Teflon	0076639	0076642	0076643
40	Deflector Neoprene	0000707	0000712	0000714
* 89	Seal Type 21 BF1C1 Single Type 21 BF171 Single Type 21 BF1D1 Single Type 21 XF1C1 Single Type 21 XF171 Single Type 21 XF1D1 Single Type 1 BF1C1 Single Type 1 BF171 Single Type 1 BF1D1 Single Type 1 XF1C1 Single Type 1 XF171 Single Type 1 XF1D1 Single Type 1 BF1O ₅₈ 1 Single Type 1 BF1C1 Double Type 1 BF171 Double Type 9T Q/XF1C1 O-Ring Single Type 9T Q/XF171 O-Ring Single Type 9T Q/XF1O ₅₈ 1 O-Ring Single Type 9T Q/XF1D1 O-Ring Single Type 9T Q/XF1C1 O-Ring Double Type 9T Q/XF171 O-Ring Double Type 9T Q/XF1O ₅₈ 1 O-Ring Double Type 9T QF1C1 Clamped Single Type 9T QF171 Clamped Single Type 9T QF1O ₅₈ 1 Clamped Single Type 9T QF1D1 Clamped Single	0030880 0030881 0117776 0088459 0084881 0117778 0078879 0078880 0117780 0080372 0081430 0117782 0117172 0040684 0117785 0060651 0060650 0117173 0117174 0076958 0076957 0117175 0060645 0060644 0117176 0117177	0030888 0030889 0117777 0117184 0117185 0117779 0078882 0078883 0117781 0080373 0081431 0117783 0117178 0045938 0117786 0060654 0060653 0117179 0117180 0076961 0076960 0117181 0060648 0060647 0117182 0117183	0030890 0030891 0119410 0119411 0119412 0119413 0078885 0078886 0119414 0080374 0081432 0094294 0120513 0043483 0099310 0072271 0072270 0120514 0120515 0076964 0076963 0120516 0072268 0072267 0120517 0120518
** 206	Gland Clip (2 Req'd) Steel	0003351	0047657	0044046
209	Gland Stud (2 Req'd) 316 SS	0021390	0049953	0049953
210	Nut (2 Req'd) 316 SS	0006012	0006012	0006012
230	Spring Holder (Standard) 316 SS	0077588	0076813	0078888
243	Grease Fitting - 1/4"	0002640	0002640	0002640
251	Seal Gland Single Type 1, 1B, 21, 9T, R0, O-Ring Single ROTT O-Ring Single 9T, 9BT, Clamped Single RO, ROTT, Clamped Double RO, ROTT, O-Ring Double Type 1 O-Ring Double Type 9T	0064932 0065296 0066169 0066166 0064932 0064932 0064932	0064930 0065292 0066178 0066175 0064930 0064930 0064930	0065173 0065300 0068679 0068641 0065173 0065173 0065173
* 259	Gland Gasket Velcar B10	0066339	0066338	0071786
709	Screw Set for Item 230 (2 Req'd) 316 SS	0078898	0077303	0077303

DISCONTINUED

** Previous Part Numbers 0044000, 0044004, 0068481, 0068478 used clip 0044046

New Part Numbers 131366 and 131367 DO NOT use clip 0044046

* Recommended spare parts



WARNING:

CANCER AND REPRODUCTIVE HARM -
WWW.P65WARNINGS.CA.GOV

DISCONTINUED

Item No.	Name of Part	Item No.	Name of Part	Item No.	Name of Part
001	Casing	* 047	Lip Seal (I.B.)	* 232	Adjustable Nut O-Ring
002	Impeller	* 049	Lip Seal (O.B.)	236	Frame Pipe Plug (Not Shown)
006	Shaft	069	Bearing Lockwasher	242	Frame Grease Fitting (Not Shown)
008	Impeller Ring (Not Shown)	* 071	Adapter	243	Grease Fitting
011	Packing Box Cover	* 073	Casing Gasket	251	Seal Gland (Not Shown)
* 013	Packing	* 089	Seal (Not Shown)	259	Gland Gasket (Not Shown)
* 014	Shaft Sleeve	202	Snap Ring	* 270	Impeller Washer
* 016	Bearing (Inboard)	203	Nameplate (Not Shown)	* 272	Impeller Washer O-Ring
017	Split Gland	204	Bearing Housing Clip	273	Foot (Adapter) (2B Frame Only)
* 018	Bearing (Outboard)	206	Gland Clip (Not Shown)	274	Foot (Frame)
019	Frame	207	Grease Fitting	277	Cap Screw
022	Bearing Lock Nut	208	Pipe Plug (Not Shown)	337	Clip Cap Screw
025	Casing Wear Ring	209	Gland Stud	701	Set Screw (Not Shown)
* 026	Impeller Cap Screw	210	Nut	709	Set Screw (Not Shown)
027	P.B. Cover Wear Ring	212	Cap Screw	714	Frame Pipe Plug (Not Shown)
* 029	Lantern Ring	214	Drive Screw (Not Shown)		
* 030	Impeller Washer Gasket	216	Casing Pipe Plug		
032	Impeller Key	217	Cap Screw (Not Shown)		
033	Bearing Housing	219	Cap Screw		
* 038	Gasket Sleeve	230	Spring Holder (Not Shown)		
040	Deflector				
046	Coupling Key				

* Recommended spare parts



Repair Parts

Liquid End Parts

SIZE	Item 1 Casing	Item 2 Impeller, Standard				
		A.I. & B.F. C.I.	7/8" - 1B Frame		1-1/4" - 2B Frame	
			A.I. C.I.	B.F. BRZ.	A.I. C.I.	B.F. BRZ.
1-1/2 x 1 x 6 Mat'l. P/N DWG	0116221 42492	0116235 35855	0116237 29882	N.A.	N.A.	
2 x 1-1/2 x 6 P/N DWG	0116223 42493	0116239 35857	0116241 29883	0116243 35858	0116245 29884	
3 x 2 x 6 P/N DWG	0116225 42494	0116247 35861	0116249 29885	0116251 35862	0116253 29886	
4 x 3 x 6 P/N DWG	0117360 42572	0116255 35865	0116257 29887	0116259 35866	0116261 29888	
3 x 2-1/2 x 7 P/N DWG	0119363 42629	0120434 36037	0118008 36037	0120435 36038	0118009 36038	
1-1/2 x 1 x 8 P/N DWG	0116229 42496	0116263 35869	0116265 29889	0116267 35870	0116269 29890	
2 x 1-1/2 x 8 P/N DWG	0116231 42497	0116271 35873	0116273 29891	0116275 35874	0116277 29892	
3 x 2 x 8 P/N DWG	0116233 42498	0116279 35877	0116281 29893	0116283 35878	0116285 29894	
4 x 3 x 8 P/N DWG	0116772 42499	0116784 35895	0117344 29986	0116785 35896	0117345 29987	
6 x 4 x 8 P/N DWG	0116774 42500	0119643 36139	0119644 36139	0117846 36014	0117574 36014	

SIZE	Item 1 Casing	Item 2 Impeller with Optional Wear Rings				
		A.I. & B.F. C.I.	7/8" - 1B Frame		1-1/4" - 2B Frame	
			A.I. C.I.	B.F. BRZ.	A.I. C.I.	B.F. BRZ.
1-1/2 x 1 x 6 Mat'l. P/N DWG	0116221 42492	0116304 35855	0116305 29882	N.A.	N.A.	
2 x 1-1/2 x 6 P/N DWG	0116223 42493	0116306 35857	0116307 29883	0116308 35858	0116309 29884	
3 x 2 x 6 P/N DWG	0116225 42494	0116310 35861	0116311 29885	0116312 35862	0116313 29886	
4 x 3 x 6 P/N DWG	0117360 42572	0116314 35865	0116315 29887	0116316 35866	0116317 29888	
3 x 2-1/2 x 7 P/N DWG	0119363 42629	0120436 36037	0118645 36037	0120437 36038	0118646 36038	
1-1/2 x 1 x 8 P/N DWG	0116229 42496	0116318 35869	0116319 29889	0116320 35870	0116321 29890	
2 x 1-1/2 x 8 P/N DWG	0116231 42497	0116322 35873	0116323 29891	0116324 35874	0116325 29892	
3 x 2 x 8 P/N DWG	0116233 42498	0116326 35877	0116327 29893	0116328 35878	0116329 29894	
4 x 3 x 8 P/N DWG	0116772 42499	0116884 35895	0117385 29986	0116885 35896	0117386 29987	
6 x 4 x 8 P/N DWG	0116774 42500	0119645 36139	0119646 36139	0117137 36014	0119138 36014	

DISCONTINUED

* Recommended spare parts

Liquid End Parts

SIZE	Mat'l.	Item 8 Impeller Ring		Item 25 Casing Ring	Item 27 Cover Ring	* Item 73 Casing Gasket	Item 212 Cap Screw
		SUCT. SIDE A.I. & B.F. 316 SS	ADAPT. SIDE A.I. & B.F. 316 SS	A.I. & B.F. 316 SS	A.I. & B.F. 316 SS	A.I. & B.F. VELBUNA	8 Req'd A.I. & B.F. STEEL
1-1/2 x 1 x 6	P/N DWG	0116288 122-049	0116287 122-049	0116292 122-050	0116291 122-050	0116204 116-040	0006415
2 x 1-1/2 x 6	P/N DWG	0116289 122-049	0116287 122-049	0116293 122-050	0116291 122-050	0116204 116-040	0006415
3 x 2 x 6	P/N DWG	0116290 122-049	0116287 122-049	0116294 122-050	0116291 122-050	0116204 116-040	0006415
4 x 3 x 6	P/N DWG	0116287 122-049	0116287 122-049	0116291 122-050	0116291 122-050	0116204 116-040	0006415
3 x 2-1/2 x 7	P/N DWG	0116290 122-049	0116287 122-049	0116294 122-050	0116291 122-050	0116205 116-040	0000432
1-1/2 x 1 x 8	P/N DWG	0116289 122-049	0116287 122-049	0116293 122-050	0116291 122-050	0116205 116-040	0000432
2 x 1-1/2 x 8	P/N DWG	0116289 122-049	0116287 122-049	0116293 122-050	0116291 122-050	0116205 116-040	0000432
3 x 2 x 8	P/N DWG	0116290 122-049	0116287 122-049	0116294 122-050	0116291 122-050	0116205 116-040	0000432
4 x 3 x 8	P/N DWG	0116870 122-049	0116287 122-049	0116869 122-050	0116291 122-050	0116205 116-040	0000432
6 x 4 x 8	P/N DWG	0119088 122-049	0116287 122-049	0118605 122-050	0116291 122-050	0116205 116-040	0000432

SIZE	Mat'l.	Item 1 Casing			Item 2 Impeller, Standard			
		125# Fig. A.I. & B.F. C.I.	250# Fig. A.I. & B.F. D.I.	NPT A.I. & B.F. C.I.	1-1/4" - 2B & 3B FRAME		1-5/8" - 4B FRAME	
					A.I. C.I.	B.F. BRZ.	A.I. C.I.	B.F. BRZ.
2 x 1 x 10	P/N DWG	N.A.	N.A.	0116776 42525	0116791 35900	0117348 29989	N.A.	N.A.
2 x 1-1/2 x 10	P/N DWG	N.A.	N.A.	0116778 42526	0116794 35902	0117351 29991	N.A.	N.A.
3 x 2 x 10	P/N DWG	N.A.	N.A.	0116780 42527	0116797 35904	0117354 29993	N.A.	N.A.
4 x 3 x 10	P/N DWG	0116782 42528	0118915 42653	N.A.	0116800 35918	0117357 29995	N.A.	N.A.
5 x 4 x 10	P/N DWG	0116895 42549	0119782 42673	N.A.	0119013 36106	0119166 36106	0119014 36107	0119167 36107
6 x 4 x 10	P/N DWG	0117808 42585	0119937 42678	N.A.	0117805 36011	0117813 36011	0117806 36012	0117814 36012
8 x 6 x 10	P/N DWG	0117761 42579	0119941 42677	N.A.	0117772 36066	0117838 36006	0117773 36007	0117839 36007

DISCONTINUED

* Recommended spare parts

Repair Parts

Liquid End Parts

SIZE	Mat'l.	Item 1 Casing			Item 2 Impeller with Optional Wear Rings			
		125# Fig. A.I. & B.F. C.I.	250# Fig. A.I. & B.F. D.I.	NPT A.I. & B.F. C.I.	1-1/4" - 2B, 3B		1-5/8" - 4B	
					A.I. C.I.	B.F. BRZ.	A.I. C.I.	B.F. BRZ.
2 x 1 x 10	P/N DWG	N.A.	N.A.	0116776 42525	0117887 35900	0117388 29989	N.A.	N.A.
2 x 1-1/2 x 10	P/N DWG	N.A.	N.A.	0116778 42526	0116889 35902	0117390 29991	N.A.	N.A.
3 x 2 x 10	P/N DWG	N.A.	N.A.	0116780 42527	0116891 35904	0117392 29993	N.A.	N.A.
4 x 3 x 10	P/N DWG	0116782 42528	0118915 42653	N.A.	0116892 35918	0117394 29995	N.A.	N.A.
5 x 4 x 10	P/N DWG	0116895 42549	0119782 42673	N.A.	0119604 36106	0119605 36106	0119606 36107	0119607 36107
6 x 4 x 10	P/N DWG	0117808 42585	0119937 42678	N.A.	0116974 36011	0119652 36011	0116975 36012	0119653 36012
8 x 6 x 10	P/N DWG	0117761 42579	0119941 42677	N.A.	0118058 36006	0119654 36006	0118059 36007	0119655 36007

SIZE	Mat'l.	Item 8 Impeller Ring		Item 25 Casing Ring	Item 27 Cover Ring	* Item 73 Casing Gasket	Item 212 Cap Screw
		SUCT. SIDE A.I. & B.F. 316 SS	ADAPT. SIDE A.I. & B.F. 316 SS	A.I. & B.F. 316 SS	A.I. & B.F. 316 SS	A.I. & B.F. VELBUNA	8 Req'd A.I. & B.F. STEEL
2 x 1 x 10	P/N DWG	0116289 122-049	0117652 122-049	0116293 122-050	0117651 122-050	0116206 116-040	0000431
2-1/2 x 1-1/2 x 10	P/N DWG	0116289 122-049	0117652 122-049	0116293 122-050	0117651 122-050	0116206 116-040	0000431
3 x 2 x 10	P/N DWG	0116290 122-049	0117652 122-049	0116294 122-050	0117651 122-050	0116206 116-040	0000431
4 x 3 x 10	P/N DWG	0116870 122-049	0117652 122-049	0116869 122-050	0117651 122-050	0116206 116-040	0000431
5 x 4 x 10	P/N DWG	0119089 122-049	0117652 122-049	0119086 122-050	0117651 122-050	0116206 116-040	0000431
6 x 4 x 10	P/N DWG	0119656 122-049	0117652 122-049	0119658 122-050	0117651 122-050	0116206 116-040	0000431
8 x 6 x 10	P/N DWG	0119657 122-049	0117652 122-049	0119659 122-050	0117651 122-050	0116206 116-040	0000431

DISCONTINUED

* Recommended spare parts

Liquid End Parts

		Item 1 Casing			Item 2 Impeller, Standard			
SIZE	Mat'l.	125# Fig.	250# Fig.	N.P.T.	1-1/4" - 3B FRAME		1-5/8" - 4B FRAME	
		A.I. & B.F. C.I.	A.I. & B.F. C.I.	A.I. & B.F. C.I.	A.I. C.I.	B.F. BRZ.	A.I. C.I.	B.F. BRZ.
3 x 1-1/2 x 13	P/N DWG	N.A.	0119174 42658	0116897 42550	0119080 36112	0117580 36112	0119081 36113	0117581 36113
3 x 2 x 13	P/N DWG	N.A.	0117875 42593	0116899 42551	0116944 35959	0117587 35959	0116945 35960	0117588 35960
4 x 3 x 13	P/N DWG	0116901 42552	0118943 42594	N.A.	0116947 35961	0117590 35961	0116948 35962	0117591 35962
6 x 4 x 13	P/N DWG	0116903 42253	0117938 42597	N.A.	0116950 35963	0117593 35963	0116951 35964	0117594 35964
4 x 3 x 15	P/N DWG	0118422 42632	0118424 42633	N.A.	N.A.	N.A.	0118416 36062	0119451 36062
6 x 4 x 15	P/N DWG	0118456 42634	0118462 42635	N.A.	N.A.	N.A.	0118453 36068	0119457 36068

		Item 1 Casing			Item 2 Impeller with Optional Wear Rings			
SIZE	Mat'l.	125# Fig.	250# Fig.	N.P.T.	1-1/4" - 3B Frame		1-5/8" - 4B Frame	
		A.I. & B.F. C.I.	A.I. & B.F. C.I.	A.I. & B.F. C.I.	A.I. C.I.	B.F. BRZ.	A.I. C.I.	B.F. BRZ.
3 x 1-1/2 x 13	P/N DWG	N.A.	0119174 42658	0116897 42550	0119139 36112	0119140 36112	0119158 36113	0119159 36113
3 x 2 x 13	P/N DWG	N.A.	0117875 42593	0116899 42551	0119141 35959	0119142 35959	0119160 35960	0119161 35960
4 x 3 x 13	P/N DWG	0116901 42552	0118943 42594	N.A.	0119143 35961	0119144 35961	0119162 35962	0119163 35962
6 x 4 x 13	P/N DWG	0116903 42253	0117938 42597	N.A.	0116982 35963	0119670 35963	0116983 35964	0119669 35964
4 x 3 x 15	P/N DWG	0118422 42632	0118424 42633	N.A.	N.A.	N.A.	0120443 36062	0120444 36062
6 x 4 x 15	P/N DWG	0118458 42634	0118462 42635	N.A.	N.A.	N.A.	0120449 36068	0120450 36068

		Item 8 Impeller Ring		Item 25 Casing Ring	Item 27 Cover Ring	* Item 73 Casing Gasket	Item 212 Cap Screw
SIZE	Mat'l.	SUCT. SIDE	ADAPT. SIDE	A.I. & B.F.	A.I. & B.F.	A.I. & B.F.	8 Req'd **
		A.I. & B.F. 316 SS	A.I. & B.F. 316 SS	316 SS	316 SS	VELBUNA	A.I. & B.F. STEEL
3 x 1-1/2 x 13	P/N DWG	0119121 122-049	0119089 122-049	0119119 122-050	0119086 122-050	0116207 116-040	0000451
3 x 2 x 13	P/N DWG	0119121 122-049	0119089 122-049	0119119 122-050	0119086 122-050	0116207 116-040	0000451
4 x 3 x 13	P/N DWG	0116870 122-049	0119089 122-049	0116869 122-050	0119086 122-050	0116207 116-040	0000451
6 x 4 x 13	P/N DWG	0119656 122-049	0119089 122-049	0120209 122-050	0119086 122-050	0116207 116-040	0000451
4 x 3 x 15	P/N DWG	0120232 122-049	0119657 122-049	0118605 122-050	0119659 122-050	0120148 116-040	0000461
6 x 4 x 15	P/N DWG	0119656 122-049	0119657 122-049	0120209 122-050	0119659 122-050	0120148 116-040	0000461

DISCONTINUED

* Recommended spare parts

** 12 Required on all 15" Sizes

Repair Parts

This page intentionally left blank

Adapter Assembly

Item No.	Description		1B Frame	2B, 3B Frame	4B Frame
11	Std Cover - C.I. For Seals; Chesterston 123, S20 John Crane 4200, 4202 Durametallic P200	6" P/N	0116433	0116437	N.A.
		8" P/N	0116435	0116439	N.A.
		10" P/N	N.A.	0116984	0117936
		13" P/N	N.A.	0117216	0117218
		15" P/N	N.A.	N.A.	0119475
		6" P/N	0118120	0116437	N.A.
		8" P/N	0118122	0116439	N.A.
		10" P/N	N.A.	0116984	0117936
		13" P/N	N.A.	0117216	0117218
		15" P/N	N.A.	N.A.	0119475
14	Std. Shaft Sleeve	316 SS P/N	0099115	0116821	0117926
		416 SS P/N	0073456	0116762	0117928
		440C SS P/N	0075358	0116819	0117927
	DWG.	113-331	122-152	122-196	
	Shaft Sleeve, JC - 1B	316 SS P/N	0118150	0118151	0117929
		DWG.	122-208	122-209	122-197
Shaft Sleeve, JC - 9BT (Clamped)	316 SS P/N	0118153	0118154	0120549	
	DWG.	122-210	122-211	122-247	
* 26	Cap Screw	316 SS P/N	0053313	0053315	0080387
* 30	Impeller Gasket	Rulon P/N	0068362	0068363	0080310
		DWG	116-040	116-040	116-040
32	Impeller Key	Steel P/N	0017546	0011260	0068338
		DWG	113-334	113-336	119-152
38	Sleeve Gasket	Rulon P/N	0068369	0068367	0068368
		DWG	113-335	119-156	119-157
71	Adapter	C.I. P/N	0116417	0116425	N.A.
		6" DWG	42408	42505	
		C.I. P/N	0116419	0116429	N.A.
		7" & 8" DWG	42409	42507	
		C.I. P/N	N.A.	0116986	0116986
10" DWG	N.A.	42537	42537		
C.I. P/N	N.A.	0117204	0117204		
13" DWG	N.A.	42559	42559		
C.I. P/N	N.A.	N.A.	0119493		
15" DWG	N.A.	N.A.	42666		
203	Nameplate	302 SS P/N	0079495	0079495	0079495
		DWG	119-440	119-440	119-440
208	Pipe Plug - 1/4"	Steel (Cad. Plated) P/N	0002009	0002009	0002009
214	Drive Screw - 2 Req'd	Steel P/N	0001146	0001146	0001146
216	Pipe Plug - 1/4" - 4 Req'd	Steel (Cad. Plated) P/N	0002009	0002009	0002009
217	Cap Screw - 2 Req'd	Steel P/N	0003404	0000402	0000402
219	Cap Screw - 4 Req'd	Steel P/N	0000397	0000432	0000432
* 270	Impeller Washer	316 SS P/N	0081097	0068347	0080308
		DWG	119-744	119-154	119-077
*272	O-Ring	Teflon P/N	0068366	0068365	0080301
		DWG	111-279	111-279	111-279

DISCONTINUED

* Recommended spare parts

Repair Parts

Frame Assembly

Item No.	Description		1B Frame	2B Frame	3B Frame	4B Frame
6	Shaft - JP	4140 Steel P/N	0116563	0116726	0116872	0118224
		316 SS P/N	0116562	0117725	0119145	0119674
		DWG	29880	35925	35933	36047
* 16	Bearing, Inboard	P/N	0003314	0054430	0005266	0079980
* 18	Bearing, Outboard	P/N	0005271	0016456	0119027	0005273
19	Frame	C.I. P/N	0116191	0116764	0116858	0117323
		DWG	42491	42510	42548	42565
22	Bearing Lock Nut	Steel P/N	003304	0003222	0006032	0039937
33	Bearing Housing	C.I. P/N	0116193	0116766	0116860	0117325
		DWG	29881	35881	35932	35985
46	Coupling Key	Steel P/N	0002195	0002204	0002204	0101351
		DWG	114-932	114-932	11-932	114-932
* 47	Lip Seal, I.B.	P/N	0116200	0104861	0104862	0104863
* 49	Lip Seal, O.B.	P/N	0116201	0104861	0104861	0104862
69	Bearing Lockwasher	Steel P/N	0003300	0002862	0046743	0007148
202	Snap Ring	Steel P/N	0116202	0058137	0116990	0080004
204	Bearing Housing Clip	Steel P/N	0116199	0116199	0117306	0116199
		DWG	122-048	122-048	122-164	122-048
207	Grease Fitting - 1/8" for grease lube	P/N	0003131	0003131	0003131	0003131
232	O-Ring	Synthetic Rubber P/N	0116203	0117029	0000179	0119352
		DWG	111-279	111-279	111-279	111-279
236	Frame Pipe Plug - 1/4"	Steel (Cad. Plated) P/N	0002009	0002009	0002009	0002009
242	Grease Fitting - 1/8" for grease lube	P/N	0003131	0003131	0003131	0003131
273	Foot (Adapter) 6"	C.I. P/N	N.A.	0116803	N.A.	N.A.
		DWG		29897		
274	Foot (Frame) 6" & 8"	C.I. P/N	0116195	0116768	0116768	N.A.
		DWG	29878	29895	29895	
	Foot (Frame) 10"	C.I. P/N	N.A.	0116770	0116770	0116768
		DWG		29896	29896	29895
Foot (Frame) 13"	C.I. P/N	N.A.	0117085	0117085	0117307	
	DWG		35965	35965	35979	
Foot (Frame) 15"	C.I. P/N	N.A.	N.A.	N.A.	0119469	
	DWG				36130	
276	Cap Screw (2 Req'd 6" Only)	Steel P/N	0003804	0003804	0003804	0003804
277	Cap Screw (2 Req'd)	Steel	0000431 * *	0003404	0003404	0003404
		P/N				
337	Cap Screw	Steel P/N	0000342	0000342	0000342	0000342
701	Set Screw	Steel P/N	0003743	N.A.	0006709	N.A.
714	Frame Pipe Plug	Steel P/N	0002553	0002553	0002553	0002553

DISCONTINUED

* Recommended spare parts ** Only one required on 1B Frame

Packing and Mechanical Seal Assemblies

Item No.	Description	1-1/4" 1B Frame Part No.	1-3/4" 2B, 3B Frame Part No.	2-1/8" 4B Frame Part No.
* 13	Packing (5 Req'd)	0030713	0035045	0040031
	Packing (5 Req'd) 30% Teflon	0034040	0057155	0068473
17	Split Gland 4140 SS	0057000	0043731	131366
29	Lantern Ring (2 Req'd) Teflon	0076639	0076642	0076643
40	Deflector Neoprene	0000707	0000712	0000714
* 89	Seal			
	Type 21 BF1C1 Single	0030880	0030888	0030890
	Type 21 BF171 Single	0030881	0030889	0030891
	Type 21 BF1D1 Single	0117776	0117777	0119410
	Type 21 XF1C1 Single	0088459	0117184	0119411
	Type 21 XF171 Single	0084881	0117185	0119412
	Type 21 XF1D1 Single	0117778	0117779	0119413
	Type 1 BF1C1 Single	0078879	0078882	0078885
	Type 1 BF171 Single	0078880	0078883	0078886
	Type 1 BF1D1 Single	0117780	0117781	0119414
	Type 1 XF1C1 Single	0080372	0080373	0080374
	Type 1 XF171 Single	0081430	0081431	0081432
	Type 1 XF1D1 Single	0117782	0117783	0094294
	Type 1 BF1O ₅₈ 1 Single	0117172	0117178	0120513
	Type 1 BF1C1 Double	0040684	0045938	0043483
	Type 1 BF171 Double	0117785	0117786	0099310
	Type 9T Q/XF1C1 O-Ring Single	0060651	0060654	0072271
	Type 9T Q/XF171 O-Ring Single	0060650	0060653	0072270
	Type 9T Q/XF1O ₅₈ 1 O-Ring Single	0117173	0117179	0120514
	Type 9T Q/XF1D1 O-Ring Single	0117174	0117180	0120515
	Type 9T Q/XF1C1 O-Ring Double	0076958	0076961	0076964
	Type 9T Q/XF171 O-Ring Double	0076957	0076960	0076963
	Type 9T Q/XF1O ₅₈ 1 O-Ring Double	0117175	0117181	0120516
	Type 9T QF1C1 Clamped Single	0060645	0060648	0072268
	Type 9T QF171 Clamped Single	0060644	0060647	0072267
	Type 9T QF1O ₅₈ 1 Clamped Single	0117176	0117182	0120517
	Type 9T QF1D1 Clamped Single	0117177	0117183	0120518
** 206	Gland Clip (2 Req'd) Steel	0003351	0047657	0044046
209	Gland Stud (2 Req'd) 316 SS	0021390	0049953	0049953
210	Nut (2 Req'd) 316 SS	0006012	0006012	0006012
230	Spring Holder (Standard) 316 SS	0077588	0076813	0078888
243	Grease Fitting - 1/4"	0002640	0002640	0002640
251	Seal Gland			
	Single Type 1, 1B, 21, 9T, R0, O-Ring	0064932	0064930	0065173
	Single ROTT O-Ring	0065296	0065292	0065300
	Single 9T, 9BT, Clamped	0066169	0066178	0068679
	Single RO, ROTT, Clamped	0066166	0066175	0068641
	Double RO, ROTT, O-Ring	0064932	0064930	0065173
	Double Type 1 O-Ring	0064932	0064930	0065173
	Double Type 9T	0064932	0064930	0065173
* 259	Gland Gasket Velcar B10	0066339	0066338	0071786
709	Screw Set for Item 230 (2 Req'd) 316 SS	0078898	0077303	0077303

DISCONTINUED

** Previous Part Numbers 0044000, 0044004, 0068481, 0068478 used clip 0044046

New Part Numbers 131366 and 131367 DO NOT use clip 0044046

* Recommended spare parts

Parts for Fig. 3132

Industrial Section 3130

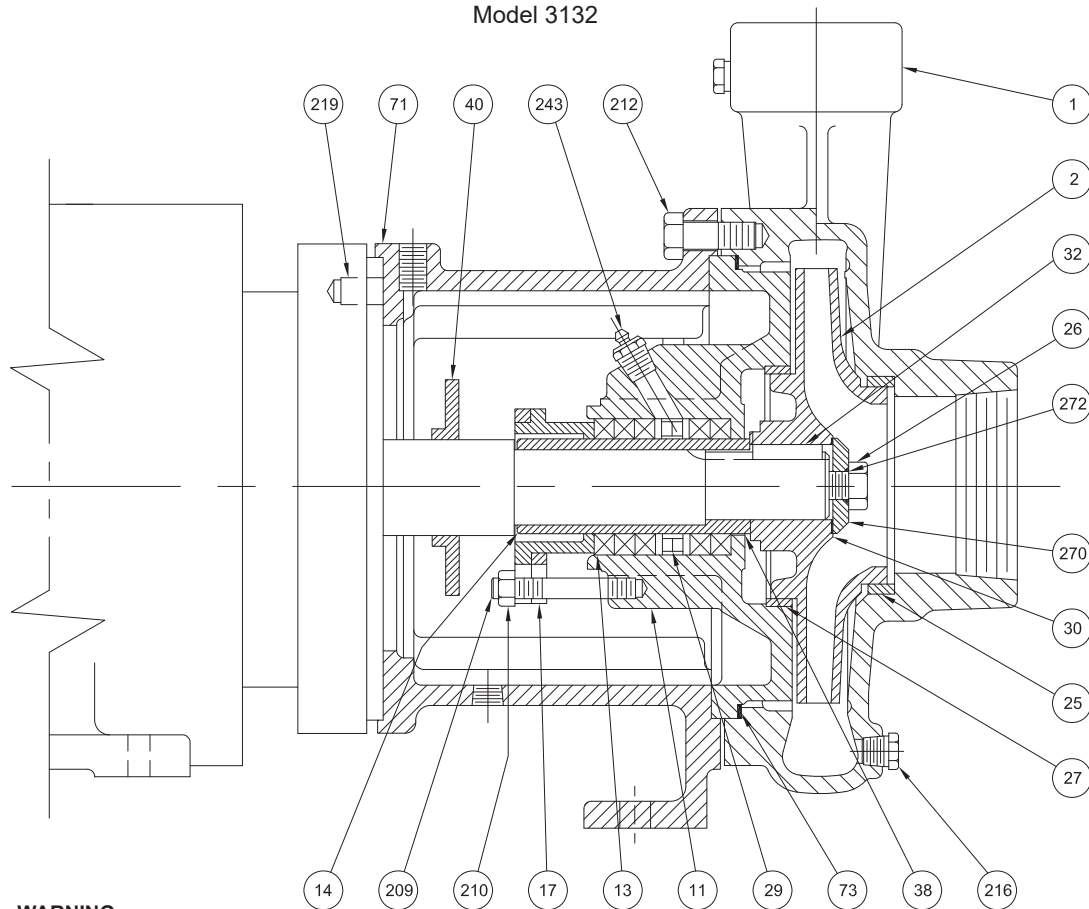
Bulletin 95

DEMING®

www.cranepumps.com

Repair Parts

Model 3132



WARNING:

CANCER AND REPRODUCTIVE HARM -

WWW.P65WARNINGS.CA.GOV

DISCONTINUED

Item No.	Name of Part	Item No.	Name of Part
001	Casing	203	Nameplate (Not Shown)
002	Impeller	206	Gland Clip (Not Shown)
008	Impeller Ring (Not Shown)	208	Pipe Plug (Not Shown)
011	Packing Box Cover	209	Gland Stud
013	Packing	210	Nut
* 014	Shaft Sleeve	212	Cap Screw
017	Split Gland	214	Drive Screw (Not Shown)
025	Casing Wear Ring	216	Casing Pipe Plug
* 026	Impeller Cap Screw	217	Cap Screw (Not Shown)
** 027	P.B. Cover Wear Ring (Optional)	219	Cap Screw
029	Lantern Ring	230	Spring Holder (Not Shown)
* 030	Impeller Washer Gasket	243	Grease Fitting
032	Impeller Key	251	Seal Gland (Not Shown)
* 038	Gasket Sleeve	259	Gland Gasket (Not Shown)
040	Deflector	* 270	Impeller Washer
071	Adapter	* 272	Impeller Washer O-Ring
* 073	Casing Gasket	709	Set Screw (Not Shown)
089	Seal (Not Shown)		

* Recommended spare parts

** Pump built before 8/12, Adapter Wear Rings were Standard

SECTION 95
PAGE 68
DATE 10/18

CRANE
A Crane Co. Company

PUMPS & SYSTEMS

USA: (937) 778-8947 • Canada: (905) 457-6223 • International: (937) 615-3598

Liquid End Parts

		Item 1 Casing	Item 2 Impeller, Standard			
SIZE	Mat'l.	A.I. & B.F. C.I.	7/8" - 143-184 JP		1-1/4" - 213-326 JP	
			A.I. C.I.	B.F. BRZ.	A.I. C.I.	B.F. BRZ.
1-1/2 x 1 x 6	P/N DWG	0116221 42492	0116235 35855	0116237 29882	N.A.	N.A.
2 x 1-1/2 x 6	P/N DWG	0116223 42493	0116239 35857	0116241 29883	0116243 35858	0116245 29884
3 x 2 x 6	P/N DWG	0116225 42494	0116247 35861	0116249 29885	0116251 35862	0116253 29886
4 x 3 x 6	P/N DWG	0117360 42572	0116255 35865	0116257 29887	0116259 35866	0116261 29888
3 x 2-1/2 x 7	P/N DWG	0119363 42629	0120434 36037	0118008 36037	0120435 36038	0118009 36038
1-1/2 x 1 x 8	P/N DWG	0116229 42496	0116263 35869	0116265 29889	0116267 35870	0116269 29890
2 x 1-1/2 x 8	P/N DWG	0116231 42497	0116271 35873	0116273 29891	0116275 35874	0116277 29892
3 x 2 x 8	P/N DWG	0116233 42498	0116279 35877	0116281 29893	0116283 35878	0116285 29894
4 x 3 x 8	P/N DWG	0116772 42499	0116784 35895	0117344 29986	0116785 35896	0117345 29987
6 x 4 x 8	P/N DWG	0116774 42500	0117848 36139	0119532 36139	0117574 36014	0117574 36014

		Item 1 Casing	Item 2 Impeller with Optional Wear Rings			
SIZE	Mat'l.	A.I. & B.F. C.I.	7/8" - 143-184 JP		1-1/4" - 213-326 JP	
			A.I. C.I.	B.F. BRZ.	A.I. C.I.	B.F. BRZ.
1-1/2 x 1 x 6	P/N DWG	0116221 42492	0116304 35855	0116305 29882	N.A.	N.A.
2 x 1-1/2 x 6	P/N DWG	0116223 42493	0116306 35857	0116307 29883	0116308 35858	0116309 29884
3 x 2 x 6	P/N DWG	0116225 42494	0116310 35861	0116311 29885	0116312 35862	0116313 29886
4 x 3 x 6	P/N DWG	0117360 42572	0116314 35865	0116315 29887	0116316 35866	0116317 29888
3 x 2-1/2 x 7	P/N DWG	0119363 42629	0120436 36037	0118645 36037	0120437 36038	0118646 36038
1-1/2 x 1 x 8	P/N DWG	0116229 42496	0116318 35869	0116319 29889	0116320 35870	0116321 29890
2 x 1-1/2 x 8	P/N DWG	0116231 42497	0116322 35873	0116323 29891	0116324 35874	0116325 29892
3 x 2 x 8	P/N DWG	0116233 42498	0116326 35877	0116327 29893	0116328 35878	0116329 29894
4 x 3 x 8	P/N DWG	0116772 42499	0116884 35895	0117385 29986	0116885 35896	0117386 29987
6 x 4 x 8	P/N DWG	0116774 42500	0117848 36139	0119176 36139	0117137 36014	0119138 36014

* Recommended spare parts

DISCONTINUED

Repair Parts

Liquid End Parts

SIZE	Mat'l.	Item 8 Impeller Ring		Item 25 Casing Ring	Item 27 Cover Ring	* Item 73 Casing Gasket	Item 212 Cap Screw
		SUCT. SIDE A.I. & B.F. 316 SS	ADAPT. SIDE A.I. & B.F. 316 SS	A.I. & B.F. 316 SS	A.I. & B.F. 316 SS	A.I. & B.F. VELBUNA	8 Req'd A.I. & B.F. STEEL
1-1/2 x 1 x 6	P/N DWG	0116288 122-049	0116287 122-049	0116292 122-050	0116291 122-050	0116204 116-040	0006415
2 x 1-1/2 x 6	P/N DWG	0116289 122-049	0116287 122-049	0116293 122-050	0116291 122-050	0116204 116-040	0006415
3 x 2 x 6	P/N DWG	0116290 122-049	0116287 122-049	0116294 122-050	0116291 122-050	0116204 116-040	0006415
4 x 3 x 6	P/N DWG	0116287 122-049	0116287 122-049	0116291 122-050	0116291 122-050	0116204 116-040	0006415
3 x 2-1/2 x 7	P/N DWG	0116290 122-049	0116287 122-049	0116294 122-050	0116291 122-050	0116205 116-040	0000432
1-1/2 x 1 x 8	P/N DWG	0116289 122-049	0116287 122-049	0116293 122-050	0116291 122-050	0116205 116-040	0000432
2 x 1-1/2 x 8	P/N DWG	0116289 122-049	0116287 122-049	0116293 122-050	0116291 122-050	0116205 116-040	0000432
3 x 2 x 8	P/N DWG	0116290 122-049	0116287 122-049	0116294 122-050	0116291 122-050	0116205 116-040	0000432
4 x 3 x 8	P/N DWG	0116870 122-049	0116287 122-049	0116869 122-050	0116291 122-050	0116205 116-040	0000432
6 x 4 x 8	P/N DWG	0119088 122-049	0116287 122-049	0118605 122-050	0116291 122-050	0116205 116-040	0000432

DISCONTINUED

* Recommended spare parts

Liquid End Parts

SIZE		Item 1 Casing			Item 2 Impeller, Standard						
		Mat'l.	125# Fig.	250# Fig.	NPT	7/8" - 143-184 JP		1-1/4" - 213-326 JP		1-5/8" - 364-405 JP	
			A.I. & B.F. C.I.	A.I. & B.F. D.I.	A.I. & B.F. C.I.	A.I. C.I.	B.F. BRZ.	A.I. C.I.	B.F. BRZ.	A.I. C.I.	B.F. BRZ.
2 x 1 x 10	P/N DWG	N.A.	N.A.	0116776 42525	0116790 35899	0117347 29988	0116791 35900	0117348 29989	N.A.	N.A.	
2 x 1-1/2 x 10	P/N DWG	N.A.	N.A.	0116778 42526	0116793 35901	0117350 29990	0116794 35902	0117351 29991	N.A.	N.A.	
3 x 2 x 10	P/N DWG	N.A.	N.A.	0116780 42527	0116796 35903	0117353 29992	0116797 35904	0117354 29993	N.A.	N.A.	
4 x 3 x 10	P/N DWG	0116782 42528	0118915 42653	N.A.	0117364 35990	0117367 29998	0116800 35918	0117357 29995	N.A.	N.A.	
5 x 4 x 10	P/N DWG	0116895 42549	0119782 42673	N.A.	0120113 36163	0120114 36163	0119013 36106	0119166 36106	0119014 36107	0119167 36107	
6 x 4 x 10	P/N DWG	0117808 42585	0119937 42678	N.A.	0120115 36164	0120116 36164	0117805 36011	0117838 36011	0117806 36012	0117814 36012	
8 x 6 x 10	P/N DWG	0117761 42579	0119941 42677	N.A.	0120117 36165	0120118 36165	0117772 36006	0117838 36006	0117773 36007	0117839 36007	

SIZE		Item 1 Casing			Item 2 Impeller with Optional Wear Rings						
		Mat'l.	125# Fig.	250# Fig.	NPT	7/8" - 143-184 JP		1-1/4" - 213-326 JP		1-5/8" - 364-405 JP	
			A.I. & B.F. C.I.	A.I. & B.F. D.I.	A.I. & B.F. C.I.	A.I. C.I.	B.F. BRZ.	A.I. C.I.	B.F. BRZ.	A.I. C.I.	B.F. BRZ.
2 x 1 x 10	P/N DWG	N.A.	N.A.	0116776 42525	0116886 35899	0117387 29988	0117887 35900	0117388 29989	N.A.	N.A.	
2 x 1-1/2 x 10	P/N DWG	N.A.	N.A.	0116778 42526	0116888 35901	0117389 29990	0116889 35902	0117390 29991	N.A.	N.A.	
3 x 2 x 10	P/N DWG	N.A.	N.A.	0116780 42527	0116890 35903	0117391 29992	0116891 35904	0117392 29993	N.A.	N.A.	
4 x 3 x 10	P/N DWG	0116782 42528	0118915 42653	N.A.	0117366 35990	0117393 29998	0116892 35918	0117394 29995	N.A.	N.A.	
5 x 4 x 10	P/N DWG	0116895 42549	0119782 42673	N.A.	0120500 36163	0120501 36163	0119604 36106	0119605 36106	0119606 36107	0119607 36107	
6 x 4 x 10	P/N DWG	0117808 42585	0119937 42678	N.A.	0120502 36164	0120503 36164	0116974 36011	0119652 *36011	0116975 36012	0119653 36012	
8 x 6 x 10	P/N DWG	0117761 42579	0119941 42677	N.A.	0120504 36165	0120505 36165	0118058 36006	0119654 36006	0118059 36007	0119655 36007	

SIZE		Item 8 Impeller Ring		Item 25 Casing Ring	Item 27 Cover Ring	* Item 73 Casing Gasket	Item 212 Cap Screw
		SUCT. SIDE A.I. & B.F. 316 SS	ADAPT. SIDE A.I. & B.F. 316 SS	A.I. & B.F. 316 SS	A.I. & B.F. 316 SS	A.I. & B.F. VELBUNA	8 Req'd A.I. & B.F. STEEL
2 x 1 x 10	P/N DWG	0116289 122-049	0116287 122-049	0116293 122-050	0117651 122-050	0116206 116-040	0000431
2½ x 1½ x 10	P/N DWG	0116289 122-049	0116287 122-049	0116293 122-050	0117651 122-050	0116206 116-040	0000431
3 x 2 x 10	P/N DWG	0116290 122-049	0116287 122-049	0116294 122-050	0117651 122-050	0116206 116-040	0000431
4 x 3 x 10	P/N DWG	0116870 122-049	0116287 122-049	0116869 122-050	0117651 122-050	0116206 116-040	0000431
5 x 4 x 10	P/N DWG	0119089 122-049	0116287 122-049	0119086 122-050	0117651 122-050	0116206 116-040	0000431
6 x 4 x 10	P/N DWG	0126571 122-049	0116287 122-049	0119658 122-050	0117651 122-050	0116206 116-040	0000431
8 x 6 x 10	P/N DWG	0119657 122-049	0116287 122-049	0119659 122-050	0117651 122-050	0116206 116-040	0000431

* Recommended spare parts

DISCONTINUED

Repair Parts

Liquid End Parts

SIZE		Item 1 Casing			Item 2 Impeller with Optional Wear Rings						
		Mat'l.	125# Fig.	250# Fig.	N.P.T.	¾" - 143-184 JP		1¼" - 213-326 JP		1-5/8" - 364-405 JP	
			A.I. & B.F. C.I.	A.I. & B.F. C.I.	A.I. & B.F. C.I.	A.I. C.I.	B.F. BRZ.	A.I. C.I.	B.F. BRZ.	A.I. C.I.	B.F. BRZ.
3 x 1½ x 13	P/N DWG	N.A.	0119174 42658	0116897 42550	0120102 36159	0120103 36159	0119080 36113	0117580 36113	0119081 36113	0117581 36113	
3 x 2 x 13	P/N DWG	N.A.	0117875 42593	0116899 42551	0120104 36160	0120105 36160	0116944 35960	0117587 35959	0116945 35960	0117580 35960	
4 x 3 x 13	P/N DWG	0116901 42552	0118943 42594	N.A.	0120106 36161	0120107 36161	0116947 35962	0117590 35961	0116948 35962	0117591 35962	
6 x 4 x 13	P/N DWG	0116903 42253	0117938 42597	N.A.	0120108 36162	0120109 36162	0116590 35964	0117593 35963	0116591 35964	0117594 35964	
4 x 3 x 15	P/N DWG	0118422 42632	0118424 42633	N.A.	N.A.	N.A.	0118415 36061	0119450 36061	0118416 36062	0119451 36062	
6 x 4 x 15	P/N DWG	0118456 42634	0118462 42635	N.A.	N.A.	N.A.	0118452 36067	0119456 36067	0118453 36068	0119457 36068	

SIZE		Item 1 Casing			Item 2 Impeller with Optional Wear Rings									
		Mat'l.	125# Fig.	250# Fig.	N.P.T.	¾" - 143-184 JP			1¼" - 213-326 JP			1-5/8" - 364-405 JP		
			A.I. & B.F. C.I.	A.I. & B.F. C.I.	A.I. & B.F. C.I.	A.I. C.I.	B.F. BRZ.	SS SS	A.I. C.I.	B.F. BRZ.	SS SS	A.I. C.I.	B.F. BRZ.	SS SS
3 x 1-1/2 x 13	P/N DWG	N.A.	0119174 42658	0116897 42550	0120490 36159	0120491 36159	N.A.	0119139 36112	0119140 36112	N.A.	0119158 36113	0119159 36113	N.A.	
3 x 2 x 13	P/N DWG	N.A.	0117875 42593	0116899 42551	0120492 36160	0120493 36160	N.A.	0119141 35959	0119142 35959	N.A.	0119160 35960	0119161 35960	N.A.	
4 x 3 x 13	P/N DWG	0116901 42552	0118943 42594	N.A.	0120494 36161	0120495 36161	N.A.	0119143 35961	0119144 35961	N.A.	0119162 35962	0119163 35962	N.A.	
6 x 4 x 13	P/N DWG	0116903 42253	0117938 42597	N.A.	0120496 36162	0120497 36162	N.A.	0116982 35963	0119670 35963	N.A.	0116983 35964	0119669 35964	N.A.	
4 x 3 x 15	P/N DWG	0118422 42632	0118424 42633	N.A.	N.A.	N.A.	N.A.	0120228 36061	0120230 36061	N.A.	0120443 36062	0120444 36062	N.A.	
6 x 4 x 15	P/N DWG	0118456 42634	0118462 42635	N.A.	N.A.	N.A.	N.A.	0120452 36067	0120453 36067	N.A.	0120449 36068	0120450 36068	N.A.	

SIZE		Item 8 Impeller Ring		Item 25 Casing Ring	Item 27 Cover Ring	* Item 73 Casing Gasket	Item 212 Cap Screw
		SUCT. SIDE A.I. & B.F. 316 SS	ADAPT. SIDE A.I. & B.F. 316 SS	A.I. & B.F. 316 SS	A.I. & B.F. 316 SS	A.I. & B.F. VELBUNA	8 Req'd ** A.I. & B.F. STEEL
3 x 1-1/2 x 13	P/N DWG	0119121 122-049	0119089 122-049	0119119 122-050	0119086 122-050	0116207 116-040	0000451
3 x 2 x 13	P/N DWG	0119121 122-049	0119089 122-049	0119119 122-050	0119086 122-050	0116207 116-040	0000451
4 x 3 x 13	P/N DWG	0116870 122-049	0119089 122-049	0116869 122-050	0119086 122-050	0116207 116-040	0000451
6 x 4 x 13	P/N DWG	0119656 122-049	0119089 122-049	0119086 122-050	0119086 122-050	0116207 116-040	0000451
4 x 3 x 15	P/N DWG	0120232 122-049	0119657 122-049	0118605 122-050	0119659 122-050	0120148 116-040	0000461
6 x 4 x 15	P/N DWG	0119656 122-049	0119657 122-049	0120209 122-050	0119659 122-050	0120148 116-040	0000461

* Recommended spare parts

** 12 Required on all 15" Sizes

DISCONTINUED

Adapter Assembly

Item No.	Description	143 - 184 JP	213 - 256 JP	284 - 326 JP	364 - 405 JP		
11	Std Cover - C.I. For Seals; Chesterton 123, 241 John Crane 4200, 4202 Durametallic P200	6" P/N	¹ 0116433A	¹ 0116437A	¹ 0116437A	N.A.	
		8" P/N	¹ 0116435A	¹ 0116439A	¹ 0116439A	N.A.	
		10" P/N	N.A.	¹ 0116984A	¹ 0116984A	0117936	
		13" P/N	N.A.	¹ 0117216A	¹ 0117216A	0117218	
		15" P/N	N.A.	¹ 0119473A	¹ 0119473A		
		6" P/N	¹ 0118120A	¹ 0116437A	N.A.	N.A.	
		8" P/N	¹ 0118122A	¹ 0116439A	N.A.	N.A.	
		10" P/N	N.A.	¹ 0116984A	¹ 0116984A	¹ 0117936A	
14	Std. Shaft Sleeve	316 SS P/N	0099115	0116821	0116821	0117923	
		416 SS P/N	0073456	0116762	0116762	0117924	
	440C SS P/N	0075358	0116819	0116819	0116819	0117925	
	DWG.	113-331	122-152	122-152	122-152	122-195	
	Shaft Sleeve, JC - 1B	316 SS P/N	0118150	0118151	0118151	0118151	0120507
		DWG.	122-208	122-209	122-209	122-209	122-244
Shaft Sleeve, JC - 9BT (Clamped)	316 SS P/N	0118153	0118154	0118154	0118154	0120512	
	DWG.	122-210	122-211	122-211	122-211	122-246	
* 26	Cap Screw	316 SS P/N	0053313	0053315	0053315	0080387	
* 30	Impeller Gasket	Rulon P/N	0068362	0068363	0068363	0080310	
		DWG	116-040	116-040	116-040	116-040	
32	Impeller Key	Steel P/N	0017546	0011260	0011260	0068338	
		DWG	113-334	113-336	113-336	119-152	
38	Sleeve Gasket	Rulon P/N	0068369	0068367	0068367	0068368	
		DWG	113-335	119-156	119-156	119-157	
71	Adapter	C.I. P/N	0116421	0116425	0116427	N.A.	
		6" DWG	042426	42505	42506		
		C.I. P/N	0116423	0116429	0116431	N.A.	
		7" & 8" DWG	042427	42507	42508		
		C.I. P/N	0117119	0116986	0116989	0116989	
10" DWG	042509	42537	42538	42538			
C.I. P/N	N.A.	0117204	0117206	0117206	0117206		
13" DWG		42559	42560	42560	42560		
C.I. P/N	N.A.	N.A.	0119499	0119499	0119499		
15" DWG			42668	42668	42668		
203	Nameplate	302 SS P/N	0079495	0079495	0079495	0079495	
		DWG	119-440	119-440	119-440	119-440	
208	Pipe Plug - 1/4"	Steel (Cad. Plated) P/N	0002009	0002009	0002009	0002009	
214	Drive Screw - 2 Req'd	Steel P/N	0001146	0001146	0001146	0001146	
216	Pipe Plug - 1/4" - 4 Req'd	Steel (Cad. Plated) P/N	0002009	0002009	0002009	0002009	
217	Cap Screw - 2 Req'd	Steel P/N	0003404	0000402	0000402	0000402	
219	Cap Screw - 4 Req'd	Steel P/N	0000397	0000432	0000432	0000432	
* 270	Impeller Washer	316 SS P/N	0081097	0068347	0068347	0080308	
		DWG	119-744	119-154	119-154	119-077	
*272	O-Ring	Teflon P/N	0068366	0068365	0068365	0080301	
		DWG	111-279	111-279	111-279	111-279	

DISCONTINUED

* Recommended spare parts
 Pump built before 8/12, Adapter Wear Rings were Standard
¹ Pumps built before 8/12, remove "A" suffix from part number

Repair Parts

Packing and Mechanical Seal Assemblies

Item No.	Description	1-1/4" 143 - 184 JP Part No.	1-3/4" 213 - 326 JP Part No.	2-1/8" 364 - 405 JP Part No.
* 13	Packing (5 Req'd) Packing (5 Req'd) 30% Teflon	0030713 0034040	0035045 0057155	0040031 0068473
17	Split Gland 4140 SS	0057000	0043731	131366
29	Lantern Ring (2 Req'd) Teflon	0076639	0076642	0076643
40	Deflector Neoprene	0000707	0000712	0000714
* 89	Seal			
	Type 21 BF1C1 Single	0030880	0030888	0030890
	Type 21 BF171 Single	0030881	0030889	0030891
	Type 21 BF1D1 Single	0117776	0117777	0119410
	Type 21 XF1C1 Single	0088459	0117184	0119411
	Type 21 XF171 Single	0084881	0117185	0119412
	Type 21 XF1D1 Single	0117778	0117779	0119413
	Type 1 BF1C1 Single	0078879	0078882	0078885
	Type 1 BF171 Single	0078880	0078883	0078886
	Type 1 BF1D1 Single	0117780	0117781	0119414
	Type 1 XF1C1 Single	0080372	0080373	0080374
	Type 1 XF171 Single	0081430	0081431	0081432
	Type 1 XF1D1 Single	0117782	0117783	0094294
	Type 1 BF1O ₅₈ 1 Single	0117172	0117178	0120513
	Type 1 BF1C1 Double	0040684	0045938	0043483
	Type 1 BF171 Double	0117785	0117786	0099310
	Type 9T Q/XF1C1 O-Ring Single	0060651	0060654	0072271
	Type 9T Q/XF171 O-Ring Single	0060650	0060653	0072270
	Type 9T Q/XF1O ₅₈ 1 O-Ring Single	0117173	0117179	0120514
	Type 9T Q/XF1D1 O-Ring Single	0117174	0117180	0120515
	Type 9T Q/XF1C1 O-Ring Double	0076958	0076961	0076964
	Type 9T Q/XF171 O-Ring Double	0076957	0076960	0076963
	Type 9T Q/XF1O ₅₈ 1 O-Ring Double	0117175	0117181	0120516
	Type 9T QF1C1 Clamped Single	0060645	0060648	0072268
	Type 9T QF171 Clamped Single	0060644	0060647	0072267
	Type 9T QF1O ₅₈ 1 Clamped Single	0117176	0117182	0120517
	Type 9T QF1D1 Clamped Single	0117177	0117183	0120518
** 206	Gland Clip (2 Req'd) Steel	0003351	0047657	0044046
209	Gland Stud (2 Req'd) 316 SS	0021390	0049953	0049953
210	Nut (2 Req'd) 316 SS	0006012	0006012	0006012
230	Spring Holder (Standard) 316 SS	0077588	0076813	0078888
243	Grease Fitting - 1/4"	0002640	0002640	0002640
251	Seal Gland			
	Single Type 1, 1B, 21, 9T, R0, O-Ring	0064932	0064930	0065173
	Single ROTT O-Ring	0065296	0065292	0065300
	Single 9T, 9BT, Clamped	0066169	0066178	0068679
	Single RO, ROTT, Clamped	0066166	0066175	0068641
	Double RO, ROTT, O-Ring	0064932	0064930	0065173
	Double Type 1 O-Ring	0064932	0064930	0065173
	Double Type 9T	0064932	0064930	0065173
* 259	Gland Gasket Velcar B10	0066339	0066338	0071786
709	Screw Set for Item 230 (2 Req'd) 316 SS	0078898	0077303	0077303

DISCONTINUED

** Previous Part Numbers 0044000, 0044004, 0068481, 0068478 used clip 0044046

New Part Numbers 131366 and 131367 DO NOT use clip 0044046

* Recommended spare parts