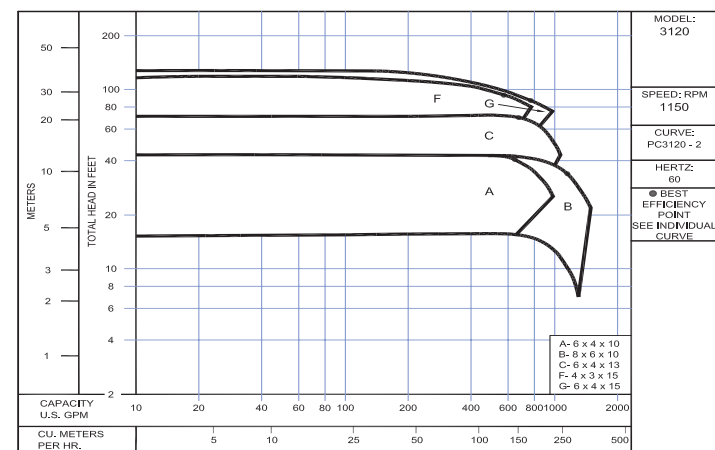
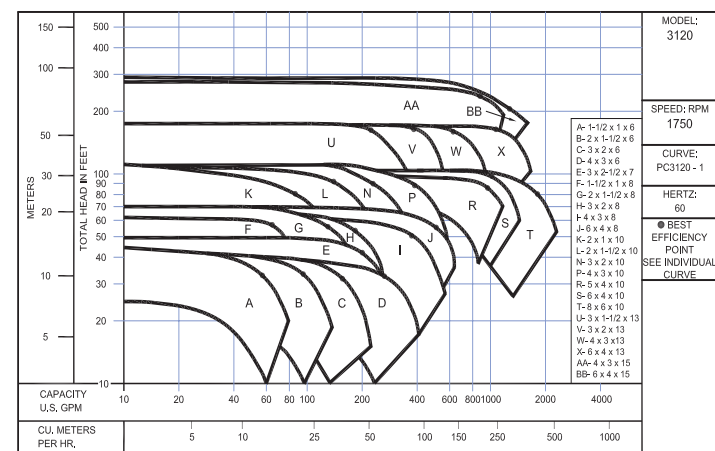
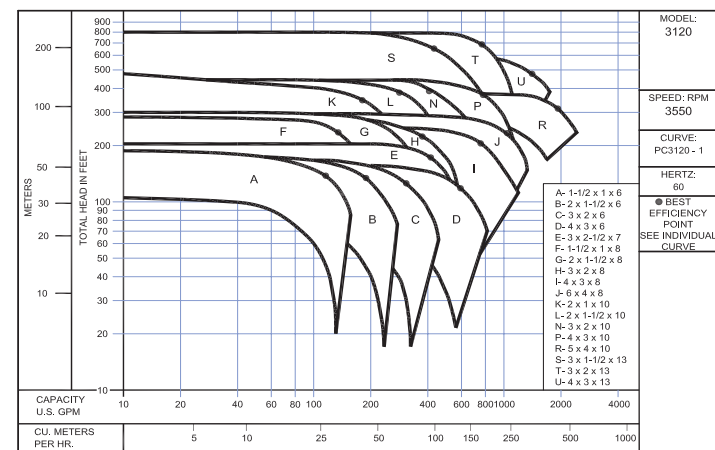
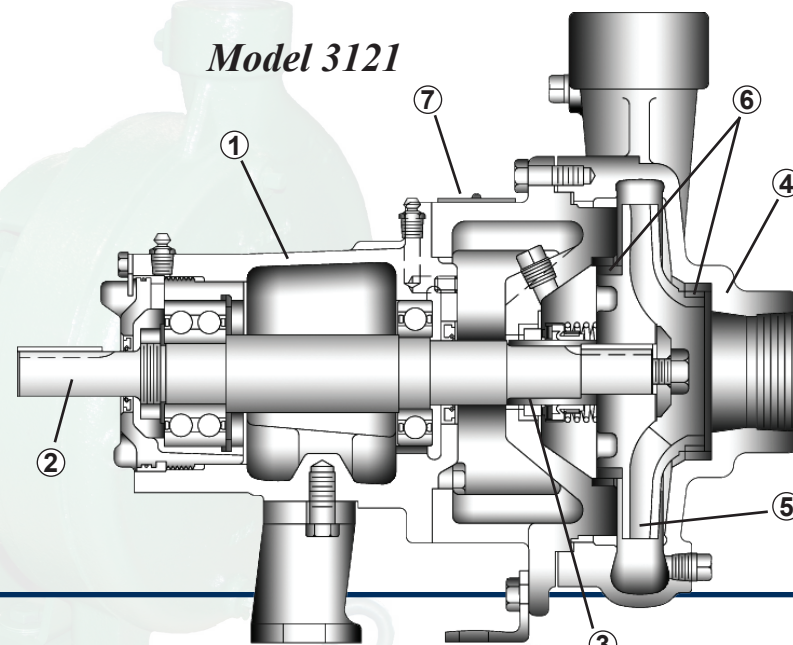


3120 Performance Curves:

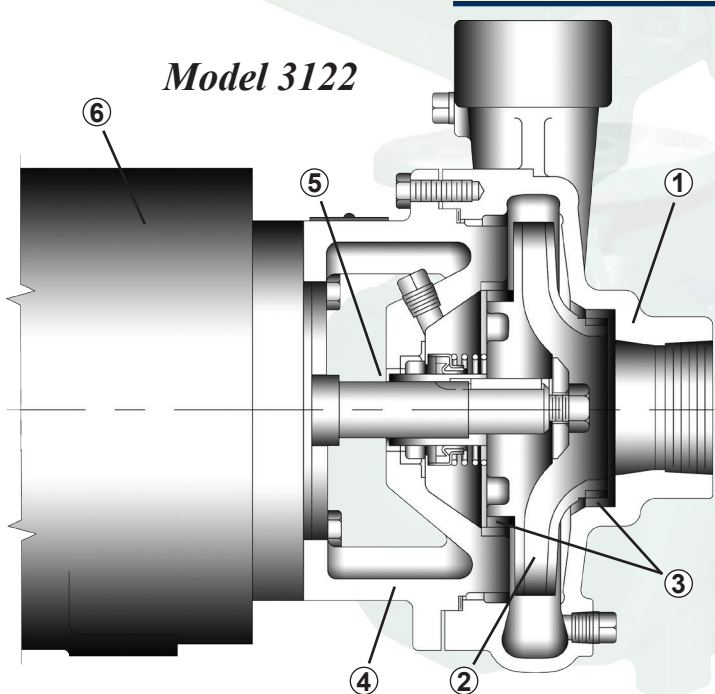


Design Features Model 3121:

1. Frame - Heavy duty cast iron construction. Grease lubricated.
2. Shaft - Heavy 4140 Steel.
3. Shaft Sleeve - Hooked style for maximum drive and 316 stainless steel for serviceability.
4. Liquid end - Top centerline back pull-put design allows disassembly without disturbing the suction and/or discharge piping.
5. Impeller - Enclosed, statically and hydraulically balanced for optimum performance. Straight bore design for interchangeability on both frame and close-coupled designs.
6. Impeller/Adapter wearing rings - Optional.
7. Adapter assembly - Combination motor/frame support and seal housing.



Model 3122



Design Features Model 3122:

1. Liquid end - Top centerline back pull-put design allows disassembly without disturbing the suction and/or discharge piping.
2. Impeller - Enclosed type, statically and hydraulically balanced for optimum performance. Straight bore design for interchangeability on both frame and close-coupled designs.
3. Impeller/Adapter wearing rings - Are optional on enclosed impellers.
4. Adapter assembly - Combination motor/frame support and seal housing.
5. Shaft Sleeve - Hooked style for maximum drive and 316 stainless steel for serviceability.
6. Motor - Close-coupled JM Frame.

3000 End Suction Centrifugal Pumps

Capacities to 4,000 GPM
Heads to 780 Feet
Up to 6" Discharge
Enclosed Impeller

Deming Series 3000 End Suction Centrifugal Pumps set the industry standard for low maintenance, high performance, and rugged reliability. Built for continuous operation in industrial services, the pumps come in frame-mounted and close coupled designs using JM motor shaft dimensions.

The 3000 Series features a hydraulically balanced, computer-designed, enclosed impeller to ensure the highest hydraulic efficiency available in the pump industry. Maximum interchangeability of parts allows for reduced parts inventories. Other features include a rugged, one-piece casting for suction head and casing; back pull-out design for ease of maintenance and regreaseable bearings.

Industrial and HVAC users install and operate the 3000 Series End Suction Centrifugal Pumps because they provide continuous service with essentially no maintenance. OEM users utilize them because of their reliability, low maintenance and compact design.



CRANE PUMPS & SYSTEMS

A Crane Co. Company

Crane Pumps & Systems
420 Third Street
Piqua, Ohio 45356
(937) 778-8947
Fax (937) 773-7157
www.cranepumps.com

Crane Pumps & Systems Canada
83 West Drive
Brampton, Ont. Canada L6T 2J6
(905) 457-6223
Fax (905) 457-2650

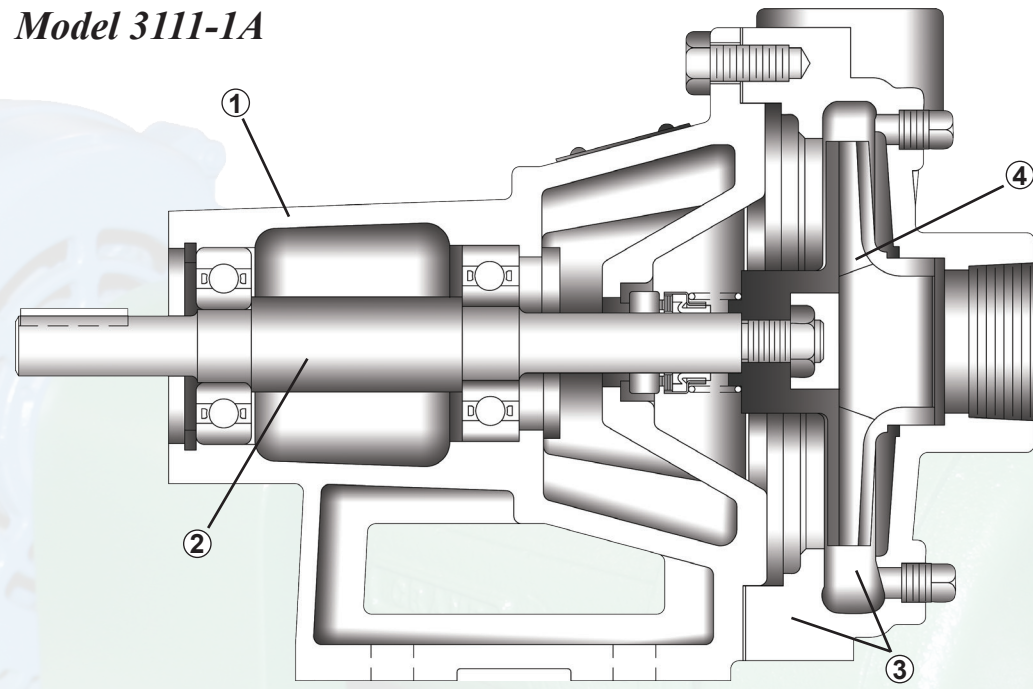


© 2016 Crane Pumps & Systems, Inc.
A Crane Co. Company
Printed in U.S.A.
D3000BRO - Rev. B (4/16)

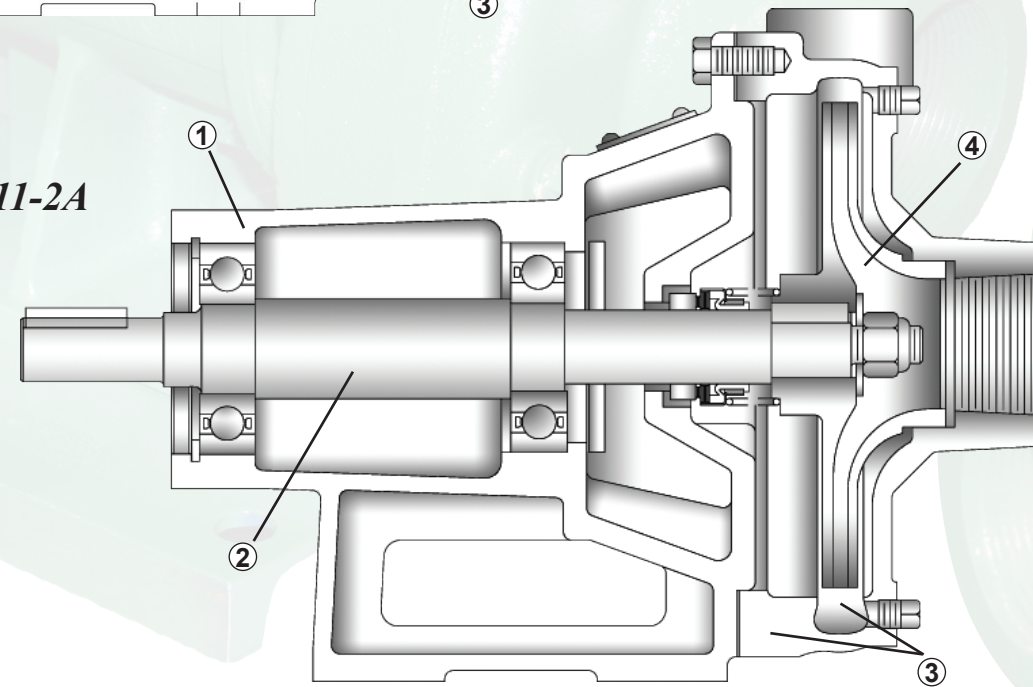


brands you trust.

Model 3111-1A



Model 3111-2A



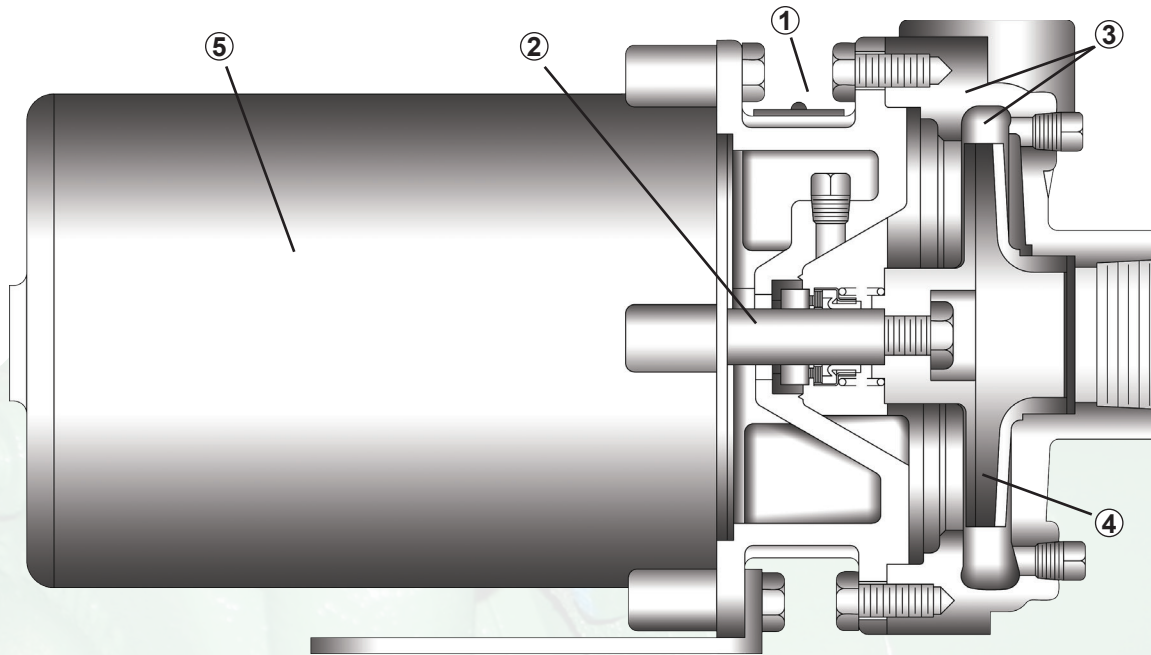
Design Features - Model 3111 1A/2A

- 1. Frame - Heavy duty one-piece construction. Grease lubricated. Combination bearing frame and seal housing.
- 2. Shaft assembly - One-piece stainless steel.
- 3. Liquid end - Back pull-out design allows disassembly without disturbing the suction and/or discharge pipe.
- 4. Impeller - Enclosed type, hydraulically balanced for optimum performance. New design eliminates the need for wearing rings, reduces the effects of abrasive action and equalizes pressure between the suction and discharge chambers of the casing. Model 3111-1A is threaded for standard, off-the-shelf jet pump motor and the 1A bearing frame. Model 3111-2A is straight bore for interchangeability on JM motor shaft or 2A frame.

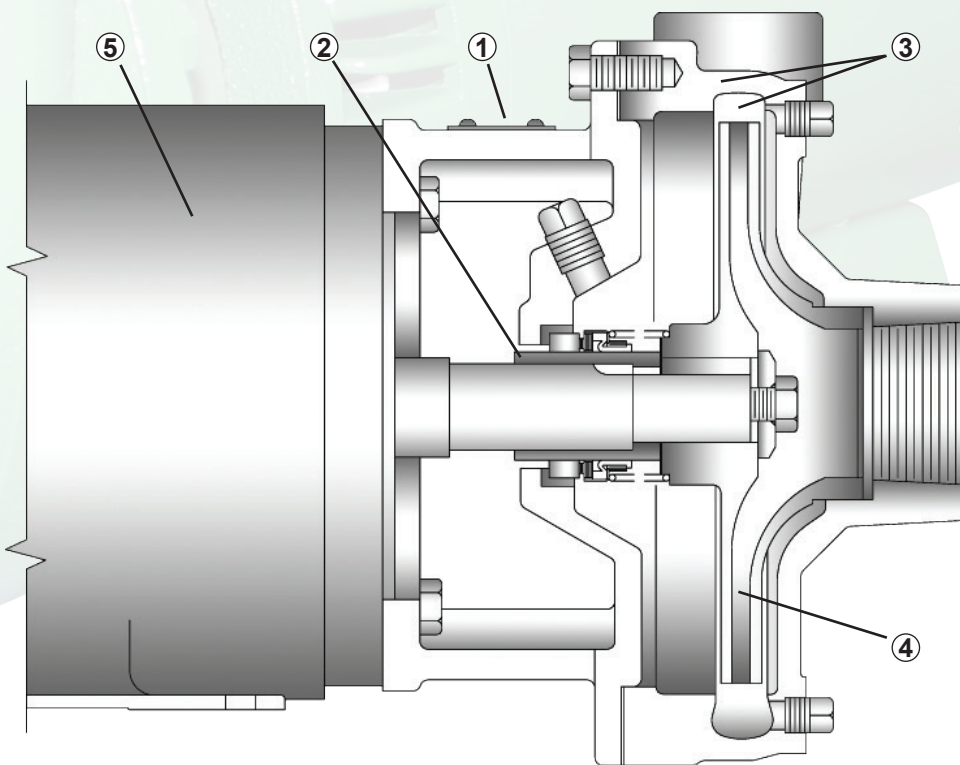
Design Features - Model 3112 1A/2A

- 1. Motor adapter - Combination motor support and seal housing.
- 2. Shaft assembly - Uses the motor shaft.
- 3. Liquid end - Back pull-out design allows disassembly without disturbing the suction and/or discharge piping.
- 4. Impeller - Enclosed type, hydraulically balanced for optimum performance. Design eliminates the need for wearing rings, reduces the effects of abrasive action and equalizes pressure between the suction and discharge chambers of the casing. Model 3112-1A is threaded for standard, off-the-shelf jet pump motor and the 1A bearing frame. Model 3112-2A is straight bore for interchangeability on JM motor shaft or 2A frame.
- 5. Motor - Model 3112-1A is a threaded shaft jet motor design. Model 3112-2A is a close-coupled JM frame.

Model 3112-1A



Model 3112-2A



3110 Performance Curves:

