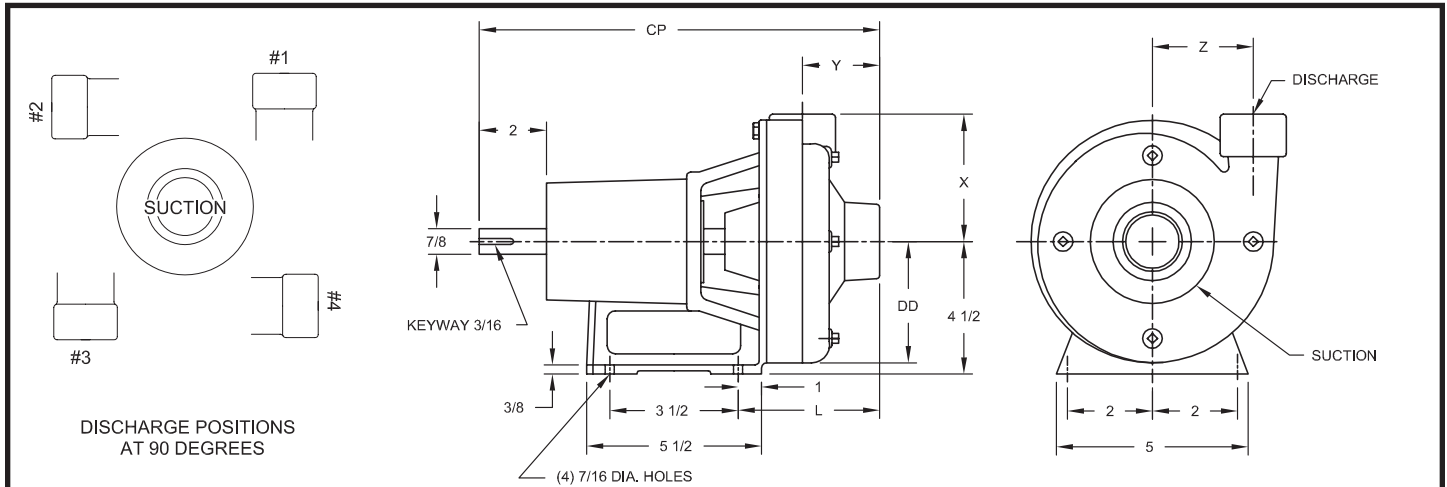


End Suction Pumps

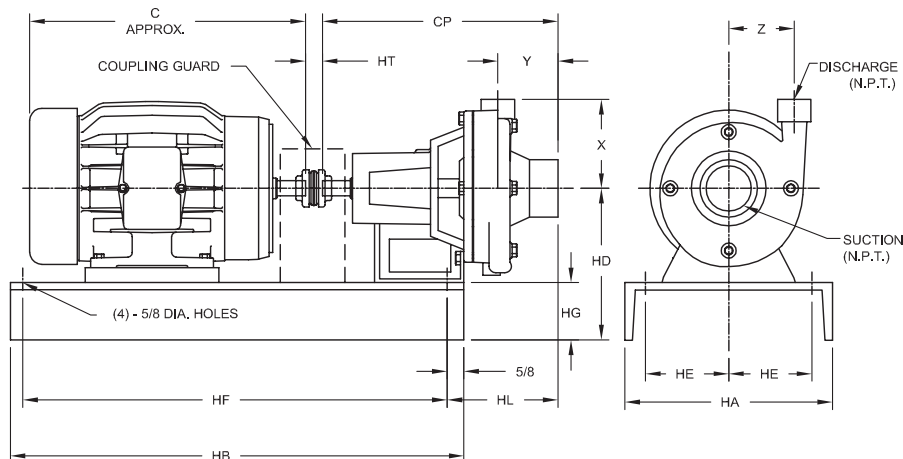


DISCHARGE POSITIONS AT 90 DEGREES

BASE DIMENSIONS IN INCHES							
MOTOR FRAME	56	143T	145T	182T	184T	213T	215T
BASE	17716						
HA	8	8	8	10	10	12	12
HB	22	22	22	24	24	30	30
C	13 ³ / ₄	13 ³ / ₈	13 ³ / ₈	14 ⁵ / ₈	15 ⁵ / ₈	17 ³ / ₄	19 ¹ / ₄
HD	6 ³ / ₄	6 ³ / ₄	6 ³ / ₄	7 ¹ / ₈	7 ¹ / ₈	8 ¹ / ₄	8 ¹ / ₄
HE	3	3	3	4	4	4 ³ / ₄	4 ³ / ₄
HF	20 ³ / ₄	20 ³ / ₄	20 ³ / ₄	22 ³ / ₄	22 ³ / ₄	28 ³ / ₄	28 ³ / ₄
HG	2 ¹ / ₄	2 ¹ / ₄	2 ¹ / ₄	2 ⁵ / ₈	2 ⁵ / ₈	3	3
HT	1/2	1/2	1/2	3/4	3/4	3/4	3/4

PUMP DIMENSIONS IN INCHES						
SIZE	1 1/2 x 1 1/4 x 5	2 x 1 1/2 x 5	2 1/2 x 2 x 5	1 1/2 x 1 x 6	2 x 1 1/2 x 6	2 1/2 x 2 x 6
* SUCT.	1 1/2	2	2 1/2	1 1/2	2	2 1/2
* DISCH.	1 1/4	1 1/2	2	1	1 1/2	2
X	4 1/2	5	5 1/2	4 1/2	5	5 1/2
Y	2 1/2	2 1/2	2 5/8	2 5/8	2 3/4	2 13/16
Z	3 1/4	3 1/2	3 3/4	3 3/4	4	4 1/4
CP	13 ⁹ / ₁₆	13 ³ / ₈	13 ³ / ₈	13 ⁹ / ₁₆	13 ³ / ₄	13 ¹³ / ₁₆
L	5	5 1/16	5 5/16	5	5 3/16	5 1/4
HL	4 5/8	4 11/16	4 15/16	4 5/8	4 13/16	4 7/8
DD	4 9/16	4 3/16	4 7/16	4 3/16	4 7/16	4 7/8

American Inch Standard Taper Pipe Thread (B 2.1)



Customer				Shop Order No.			Date:		By:	
Pump Data	Fig. No.	Size	Curve No.	GPM	Head	Sp. Gr.	Temp.	Rotation	Packing/Seal	
Motor Data	MFGR	Hp	RPM	Phase-Cycle Voltage		Frame	Enclosure	Insulation	Furnished by	Mounted



A Crane Co. Company

PUMPS & SYSTEMS

USA: (937) 778-8947 • Canada: (905) 457-6223 • International: (937) 615-3598

SECTION	3110
PAGE	15
DATE	4/13