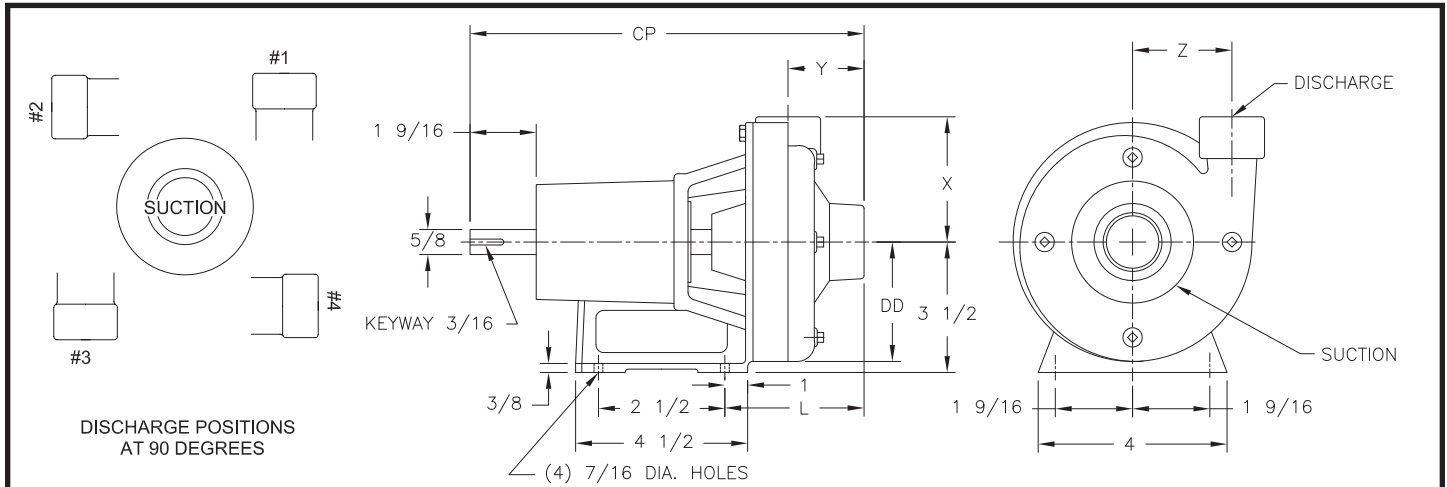


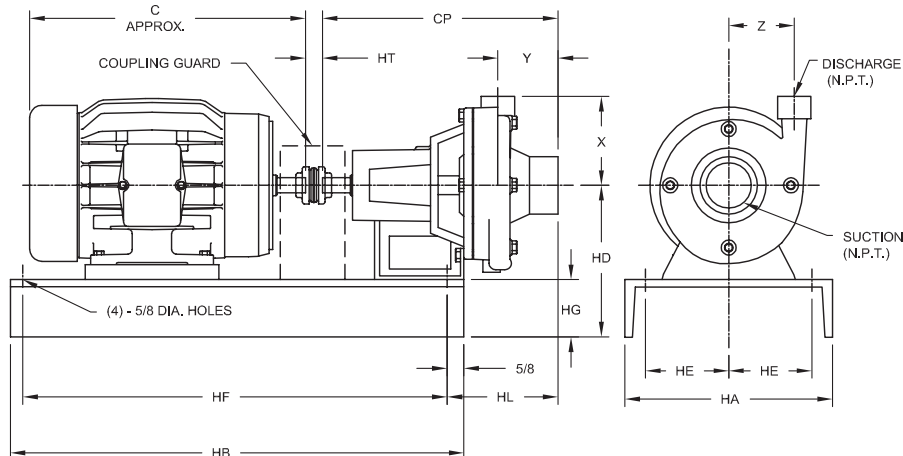
End Suction Pumps



	BASE DIMENSIONS IN INCHES					
MOTOR FRAME	46	56	143T	145T	182T	184T
BASE	17716					
HA	8	8	8	8	10	10
HB	22	22	22	22	24	24
C	11	13 ³ / ₄	13 ⁵ / ₈	13 ⁵ / ₈	14 ⁵ / ₈	15 ⁵ / ₈
HD	5 ³ / ₄	5 ³ / ₄	5 ³ / ₄	5 ³ / ₄	7 ¹ / ₈	7 ¹ / ₈
HE	3	3	3	3	4	4
HF	20 ³ / ₄	20 ³ / ₄	20 ³ / ₄	20 ³ / ₄	22 ³ / ₄	22 ³ / ₄
HG	2 ¹ / ₄	2 ¹ / ₄	2 ¹ / ₄	2 ¹ / ₄	2 ⁵ / ₈	2 ⁵ / ₈
HT	1/2	1/2	1/2	1/2	3/4	3/4

	PUMP DIMENSIONS IN INCHES					
SIZE	1 x 3/4 x 4	1 1/4 x 1 x 4	1 1/2 x 1 1/4 x 4	2 x 1 1/2 x 4	1 1/4 x 1 x 5	1 1/2 x 1 1/4 x 5
* SUCT.	1	1 1/4	1 1/2	2	1 1/4	1 1/2
* DISCH.	3/4	1	1 1/4	1 1/2	1	1 1/4
X	3 1/2	3 1/2	4	4 1/2	4	4 1/2
Y	2 1/16	1 1/8	2 3/16	2 3/16	2 3/16	2 1/4
Z	2 5/8	2 11/16	3	3 3/8	3	3 3/8
CP	10 1/2	10 ⁹ / ₁₆	10 ¹⁵ / ₁₆	11 ¹ / ₁₆	10 ⁷ / ₈	10 ¹⁵ / ₁₆
L	4 1/8	4 1/8	4 1/2	4 ⁵ / ₈	4 ⁷ / ₁₆	4 1/2
HL	3 3/4	3 3/4	4 1/8	4 1/4	4 ¹ / ₁₆	4 1/8
DD	3 ⁵ / ₁₆	3 ⁵ / ₁₆	3 ⁵ / ₁₆	3 ⁷ / ₁₆	3 ⁵ / ₁₆	3 ⁹ / ₁₆

American Inch Standard Taper Pipe Thread (B 2.1)



Customer				Shop Order No.			Date:		By:	
Pump Data	Fig. No.	Size	Curve No.	GPM	Head	Sp. Gr.	Temp.	Rotation	Packing/Seal	
Motor Data	MFGR	Hp	RPM	Phase-Cycle Voltage		Frame	Enclosure	Insulation	Furnished by	Mounted



A Crane Co. Company

PUMPS & SYSTEMS

USA: (937) 778-8947 • Canada: (905) 457-6223 • International: (937) 615-3598

SECTION 3110
PAGE 13
DATE 6/17