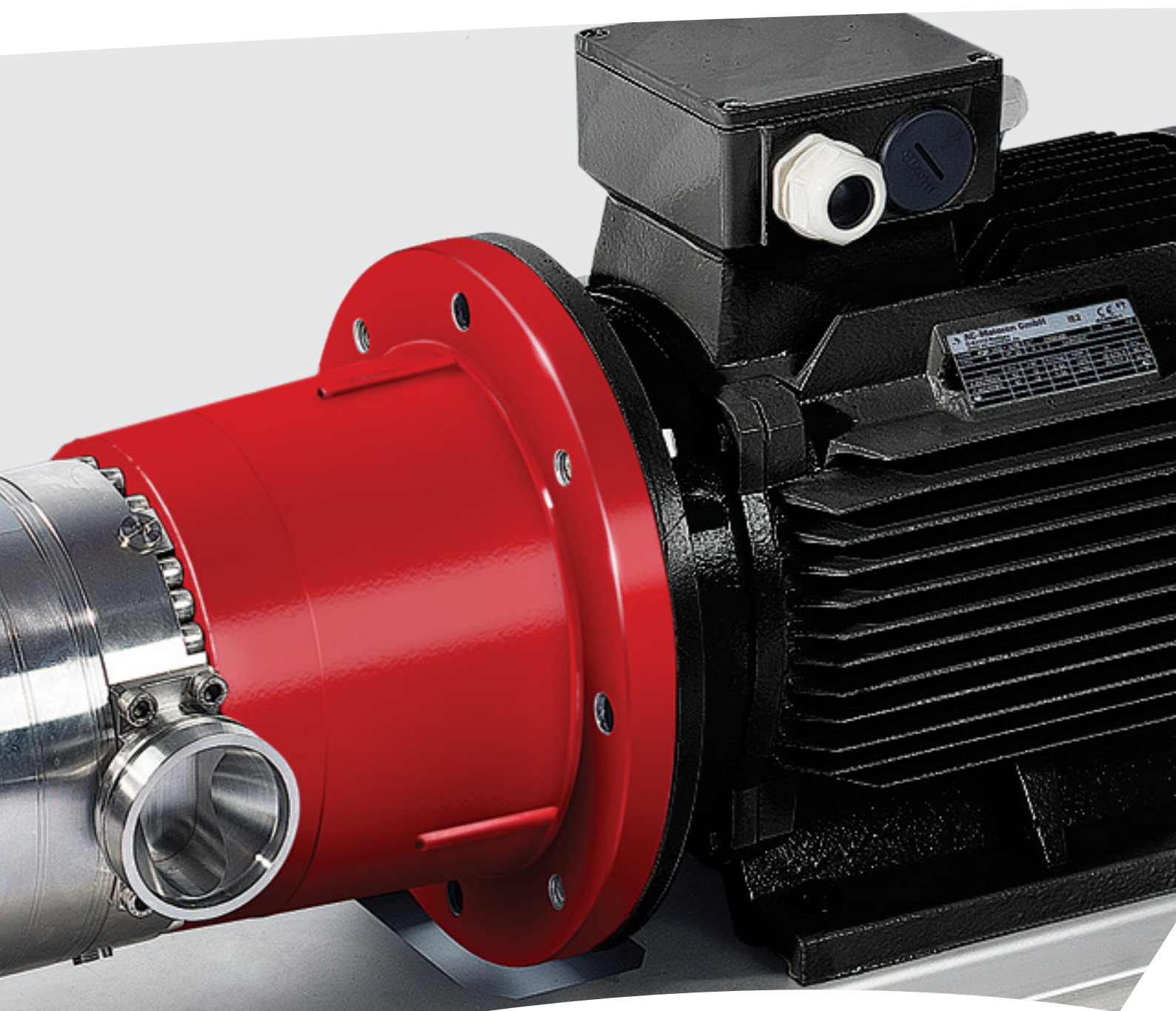



Instruction

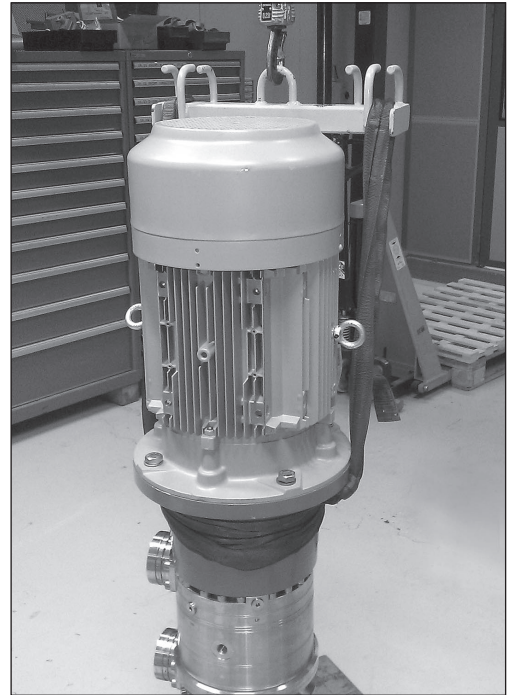
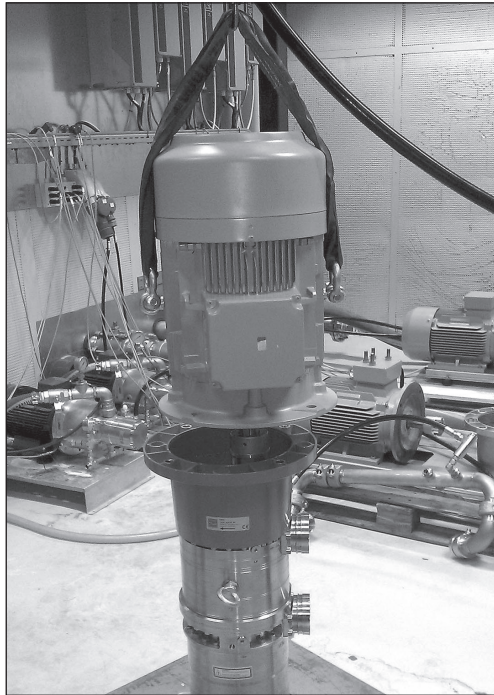
Lifting the iSave



How to assemble the iSave and electric motor

- 1) The driver coupling is pre-mounted from factory. Do not move the coupling.
- 2) Insert the coupling element into the coupling in the bell housing.
- 3) Position the electric motor on the bell housing. Make sure that the two coupling parts are connected properly.
- 4) Tighten the 4 bolts.

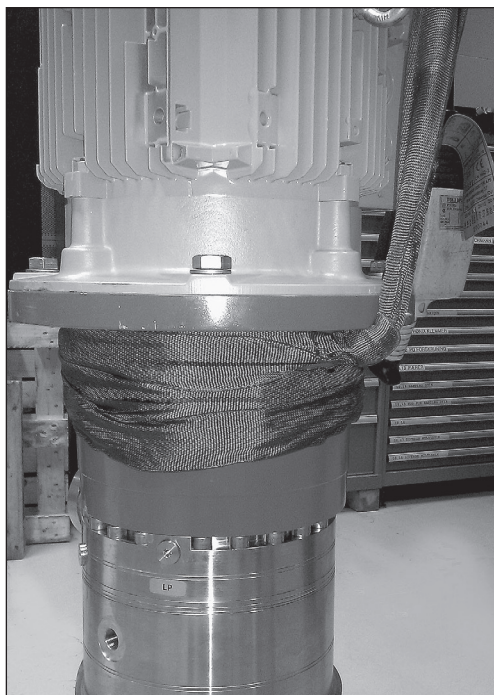
 Lift the electric motor **ONLY** in the lifting eyes provided. The lifting eyes on the motor must only be used for lifting the motor – and **not the whole unit**.



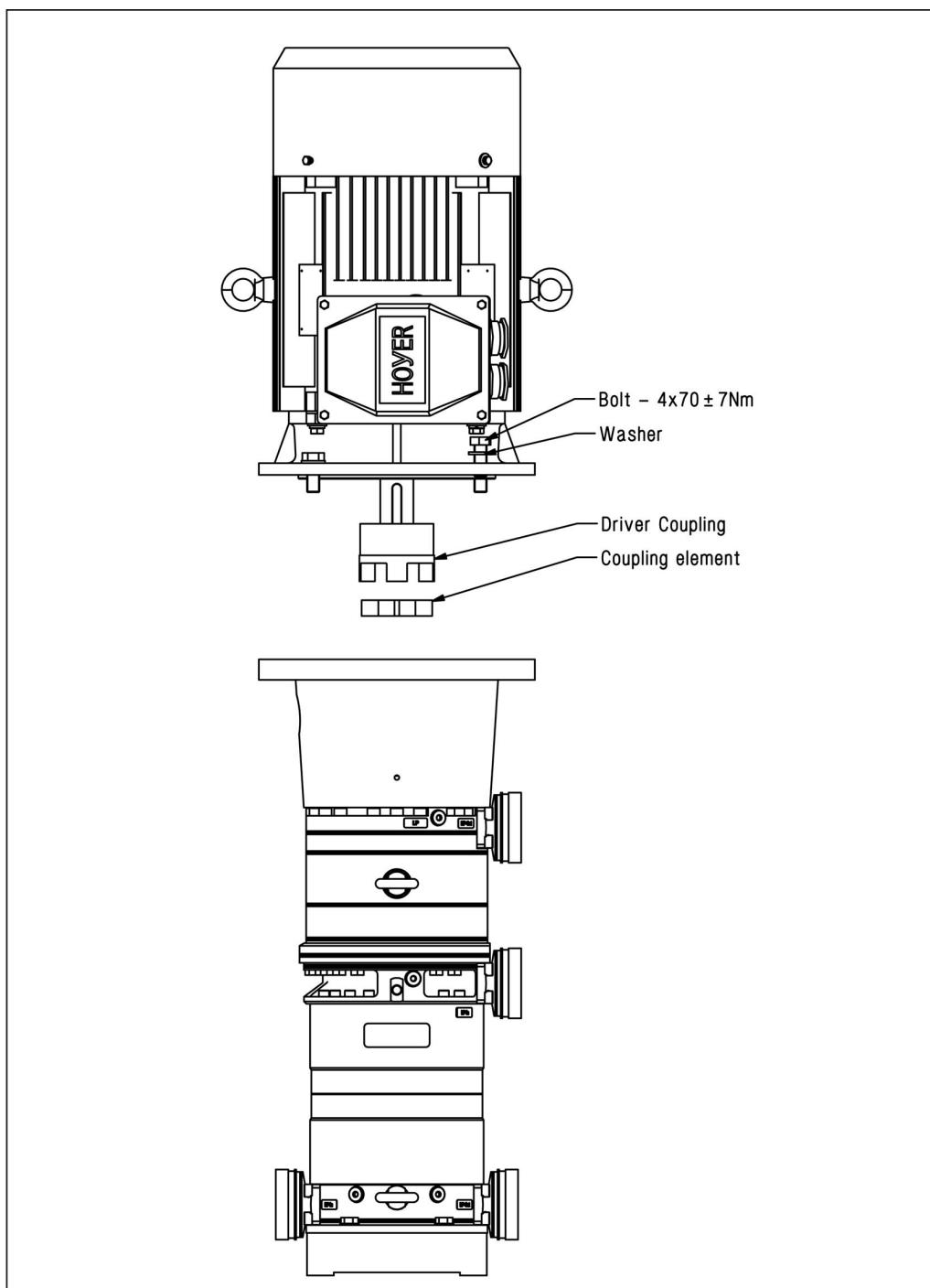
How to lift the iSave

Tie two lifting belts around the bell housing before lifting the whole iSave.

Do not lift the whole iSave in the lifting eyes on the electric motor.



Exploded view iSave



Danfoss A/S
High-Pressure Pumps
DK-6430 Nordborg
Denmark

Danfoss can accept no responsibility for possible errors in catalogues, brochures and other printed material. Danfoss reserves the right to alter its products without notice. This also applies to products already on order provided that such alterations can be made without subsequential changes being necessary in specifications already agreed. All trademarks in this material are property of the respective companies. Danfoss and the Danfoss logotype are trademarks of Danfoss A/S. All rights reserved.
