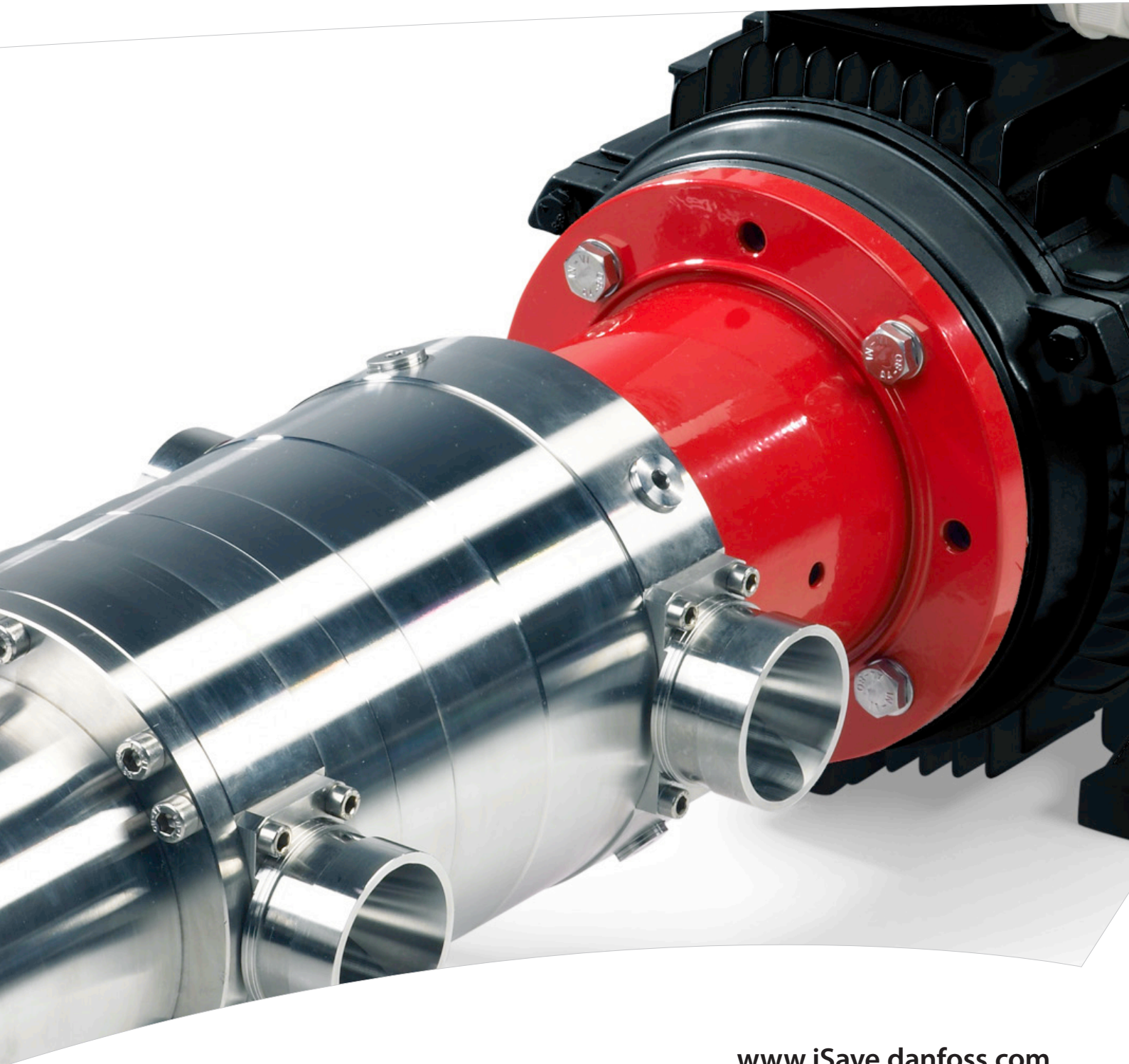


MAKING MODERN LIVING POSSIBLE



Data sheet

Energy Recovery Device iSave 21-40

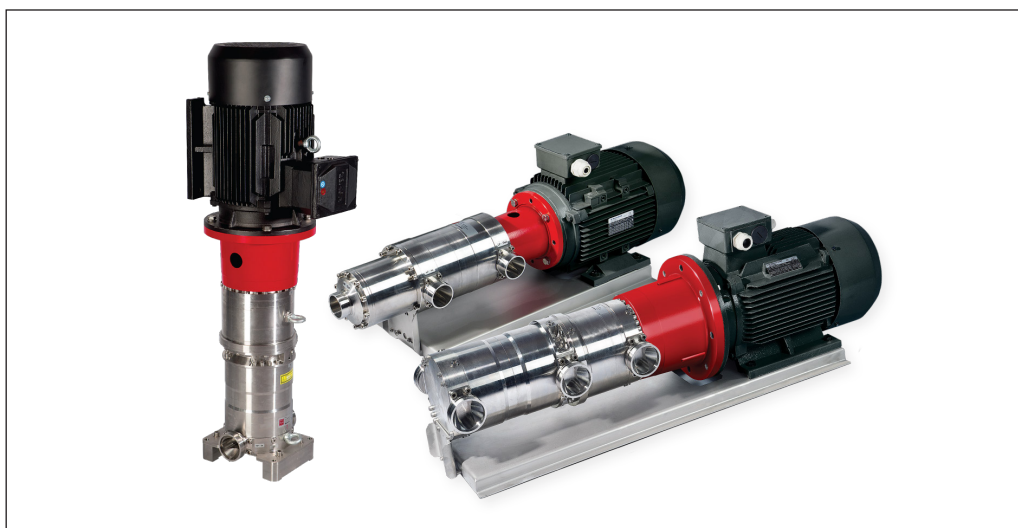


www.iSave.danfoss.com

Table of Contents

1.	General information.....	3
2.	Benefits.....	3
3.	Technical data	4
3.1	iSave without motor	4
3.2	iSave with IEC motor	5
3.3	iSave with NEMA motor (can only be ordered through Danfoss US).....	6
4.	Flow at different rpm.....	7
5.	Corrosion	7
5.1	Operation.....	7
6.	Noise level.....	8
7.	Filtration.....	8
8.	iSave drawings.....	9
8.1	Assembled iSave 21 / 40 without electric motor.....	9
8.2	Assembled iSave 21 / 40 with IEC electric motor.....	11
8.3	Assembled iSave 21-40 with NEMA motor	16
9.	Installation.....	19
10.	RO systems with an iSave.....	20
11.	Performance curves.....	21
11.1	Performance and torque curves iSave 21.....	21
11.2	Performance and torque curves iSave 40.....	23
12.	Service.....	25
12.1	Warranty.....	25
12.2	Maintenance.....	25
12.3	Repair	25

1. General information



The iSave 21-40 consists of an isobaric pressure exchanger, a high-pressure positive displacement booster pump and an electric motor.

The isobaric pressure exchangers are based on the technology used in the Danfoss APP pumps, and the high-pressure booster pumps are based on the vane pump principle enabling a very light and compact design. The design of iSave 21-40 ensures lubrication of the moving parts by the fluid itself.

All parts included in the iSave 21-40 are designed to provide long service life with a constant high efficiency and minimum service required.

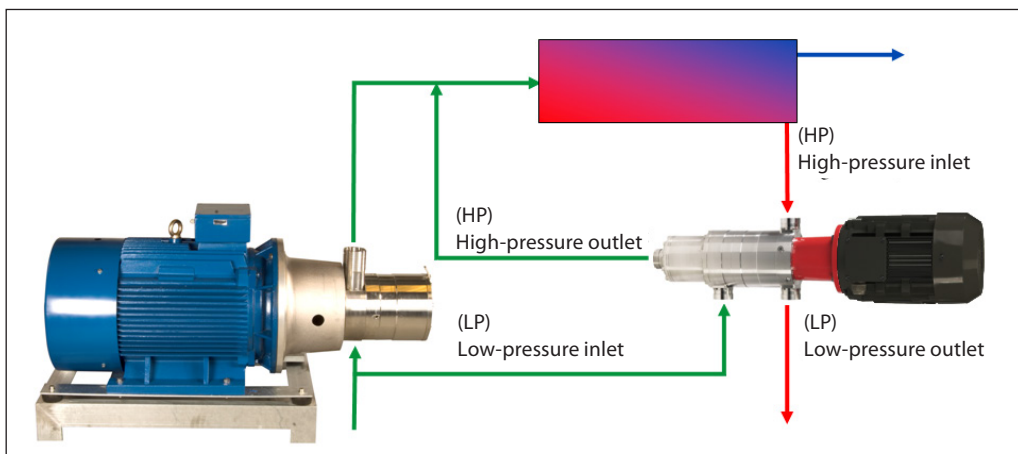
The vane pumps are fixed displacement pumps in which the flow is proportional to the number of revolutions of the driving shaft – enabling flow control.

The electric motor provides speed control of both the pressure exchanger and the high-pressure booster pump on the same shaft – preventing overspin/overflushing.

The iSaves need a VFD that allows the motor to apply a constant torque from low speed to maximum speed.

2. Benefits

- One of the smallest and lightest energy recovery devices on the market
- Few components
- High efficiency
- No need for high-pressure flow meters
- No expensive high-pressure mechanical seal
- No risk of over spin/over flushing
- Easy modular service
- All parts of the device are made of high corrosion-resistant materials e.g. Super Duplex



3. Technical data

3.1 iSave without motor

iSave size		iSave 21	iSave 40
Code number		180F7010	180F7011
Geometric displacement	cm ³ /rev	265.8	626
	in ³ /rev	16.2	38.2
Pressure			
Differential pressure HP in - HP out max. ¹⁾	bar	3	5
	psi	43.5	72.5
HP min. inlet pressure	barg	15	15
	psig	217	217
HP max. inlet pressure	barg	83	83
	psig	1200	1200
HP inlet min. pressure, intermittent ^{2) 3)}	barg	3	3
	psig	43.5	43.5
LP inlet max. pressure	barg	5	5
	psig	72.5	72.5
LP inlet max. pressure intermittent ³⁾	barg	10	10
	psig	145	145
LP outlet min. pressure	barg	1	1
	psig	14.5	14.5
LP differential LP in - out at HP max. flow	bar	0.9	1.2
	psi	13	17.5
Speed			
Min. speed	rpm	500	600
Max. speed	rpm	1500	1200
Typical flow			
HP outlet flow range ⁴⁾ at max. differential pressure	m ³ /h	7-21	21-41
	gpm	30.8-92.4	92.4-180.5
Lubrication flow at 60 barg (871 psig) max.	m ³ /h	0.42	0.8
	gpm	1.8	3.5
LP inlet max. flow	m ³ /h	33	67
	gpm	145	295
Torque			
Torque at max. differential pressure operation ¹⁾	Nm	34	102
	lbf-ft	25	75
Max. starting torque (stick/slip)	Nm	50	150
	lbf-ft	37	110
Media temperature ⁵⁾	°C	2-40	2-40
	°F	36-104	36-104
Ambient temperature	°C	0-50	0-50
	°F	32-104	32-104
Filtration requirements (nominal) ⁶⁾		3 micron melt-blow	
Salinity increase at membrane at 40% recovery rate		2-3 %	
Weight	kg	65	123
	lb	143.3	271

¹⁾ Continuous torque above max. differential pressure will reduce the lifetime of the iSave.

²⁾ Pressure can reach this pressure level at start-up and permeate flush.

³⁾ Intermittent pressure is acceptable for less than 10 minutes within a period of 6 hours.

⁴⁾ Typical average flow at 60 bar.

⁵⁾ Dependent on NaCl concentration.

⁶⁾ Please see section 7. filtration.

3.2 iSave with IEC motor

iSave		iSave 21	iSave 40	
Code number horizontal		180F7000	180F7001	180F7004
Code number vertical			180F7003	180F7005
Motor size IEC version IE2 400 V, 50 Hz ¹⁾	kW	5.5	11	15
	HP	7.5	15	20
Frame size	IEC	132 S	160 L	180 L
	pole	4	6	6
Motor data				
Nominal speed	rpm	1450	970	970
Min. speed at 400 V	rpm	²⁾ 500	600	600
Max. speed at 400 V	rpm	1500	³⁾ 1100	1200
Rated current at 400 V	A	11	22	30
Torque				
Motor torque at nominal speed ^{3) 4)}	Nm	36	⁵⁾ 108	146
	lbf-ft	26.5	80	107.7
Motor torque at min. speed ³⁾	Nm	27	95	129
	lbf-ft	20	70	95
Motor ambient temperature, max.	°C	40	40	40
	°F	104	104	104
Motor insulation	Class	B	B	B
Motor degrees of protection	IP	55	55	55
Sound pressure level max. ⁶⁾	dB(A)	78	84	84
Weight	kg	95	254	305
	lb	209	560	672

¹⁾ Three-phase-asynchronous-motor according to DIN-IEC and VDE 0530 standards.

- Voltage and frequency according to IEC 38
- The motors are fitted with a rating plate in multi-tension: 380-420 V / 660-720 V, 50 Hz or 440-480 V, 60 Hz
- Tolerance $\pm 5\%$ according to VDE 0530
- Standard coating according to IEC 60721-2-1

²⁾ If voltage is below 400 V we recommend to use another size of electric motor. Please contact Danfoss High Pressure Pumps for further information.

³⁾ Torque load for iSave and motor see diagram on page 23 and 25.

⁴⁾ Due to inertia and stick-slip friction of the iSave, the torque can exceed the maximum allowable operation torque for the iSave when speed is ramped up from zero to maximum. A VFD or a soft starter must be used for ramp up.

⁵⁾ The starting torque on the iSave 40 can be up to 150 Nm, (110 lbf ft). The VFD must be able to deliver 140% start torque. The Danfoss VFD type FC301 and FC302 can be used.

⁶⁾ Measurement according to EN ISO 3744: 2010 / dB(A) [L_{PA} , 1m] values are calculated. Measured at system pressure 80 barg, a booster pressure of 3 bar and max. rpm.

3.3 iSave with NEMA motor (can only be ordered through Danfoss US)

iSave		iSave 21	iSave 40
Code number horizontal		180F7010N104H	180F7011N206H
Code number vertical			180F7011N206V
Motor size NEMA version ¹⁾ High efficiency 460 V, 60 Hz	kW	7.5	15
	HP	10	20
Frame size	NEMA	215TC	286TC
	pole	4	6
Motor data			
Nominal speed	rpm	²⁾ 1760	1175
Min. speed continuous at 400 V	rpm	500	600
Max. speed continuous at 400 V	rpm	1500	1200
Motor rated current 460 V	A	12.4	24.2
Torque			
Motor torque at nominal speed ³⁾⁴⁾	Nm	40	119
	(lbf-ft)	29.4	⁵⁾ 88.2
Motor torque at min. speed ⁴⁾	Nm	20	95
	(lbf-ft)	14.7	70
Motor ambient temperature, max. 3,300 feet above sea level	°C	40	40
	(°F)	104	104
Motor degrees of protection	IP	55	55
Sound pressure level max. ⁶⁾	dB(A)	78	84
Weight	kg	152	324
	(lb)	335	715

¹⁾ Three-phase-asynchronous-motor according to NEMA MG-1 and UL 1004-1 standards.

- Insulation class F, service factor 1.25.
- Fan-cooled TEFC (IC411). Voltage and frequency according to NEMA MG-1 part 12.
- The motors are fitted with a rating plate 230 / 460 V, 60 Hz.
- Plus or minus 10% of rated voltage, with rated frequency. Standard coating according to motor supplier specifications.

²⁾ Max. speed for iSave 21 is 1500 rpm.

³⁾ Due to inertia and stick-slip friction of the iSave, the torque can exceed the maximum allowable operation torque for the iSave when the speed is ramped up from zero to maximum. A VFD or a soft starter must be used for ramp up.

⁴⁾ Torque load for iSave and motor see diagramme on page 23 and 25.

⁵⁾ The starting torque on the iSave 40 can be up to 150 Nm, (110 lbf ft).
The VFD must be able to deliver 140% start torque. The Danfoss VFD type FC301 and FC302 can be used.

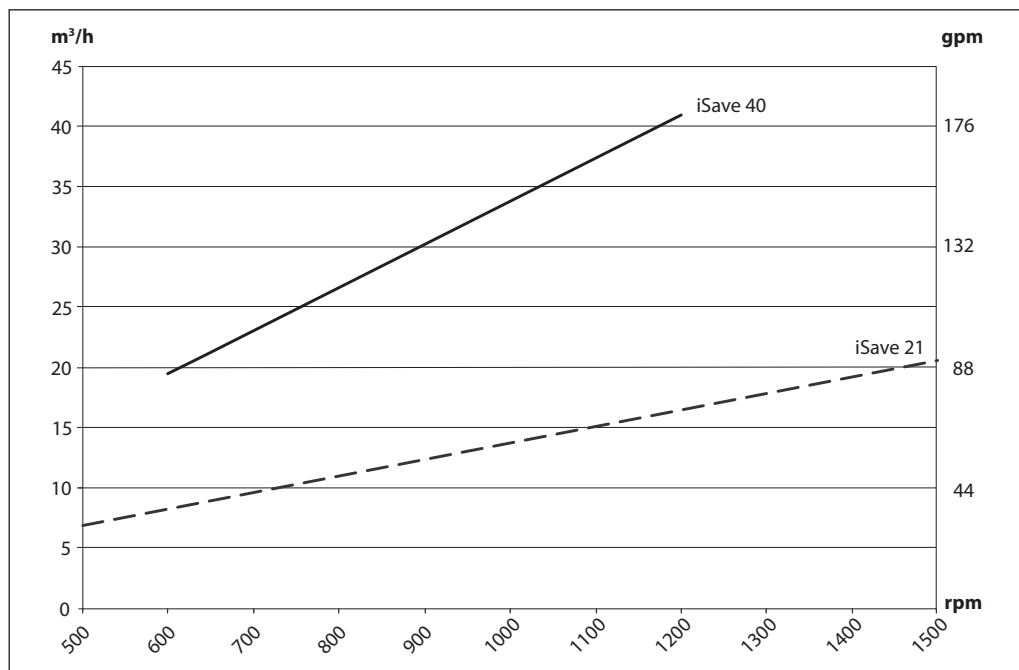
⁶⁾ Measurement according to EN ISO 3744: 2010 / dB(A) [L_{PA'} 1m] values are calculated.
Measured at system pressure 80 barg, a booster pressure of 3 bar and max. rpm.

4. Flow at different rpm

The diagram shows that the HP flow can be changed by changing the rotation speed of the iSave. The flow/rpm ratio is constant, the required flow is obtainable by changing the rotation speed to a required value.

For accurate data please use our selection tool which is available on our website: www.isave.danfoss.com

The iSave is delivered with a 3.1 performance certificate according to EN10204.

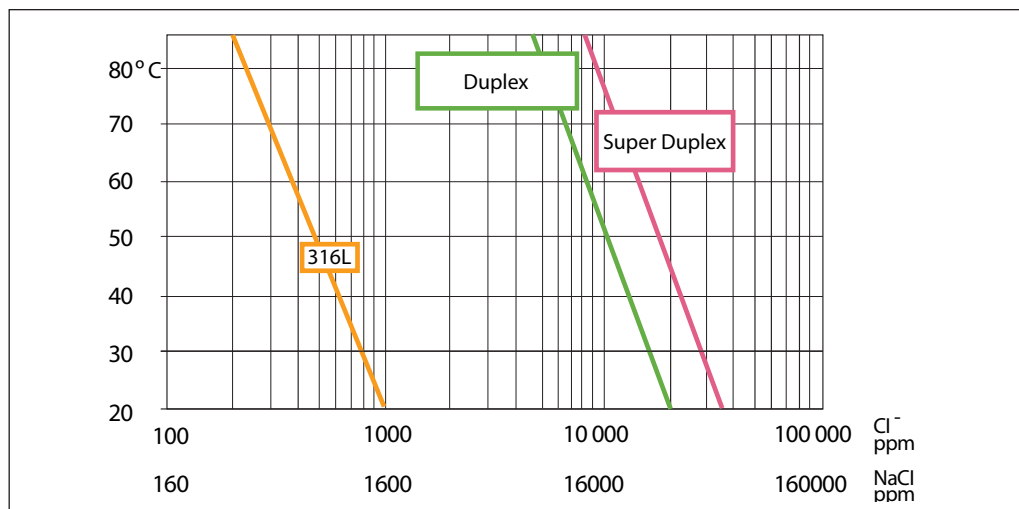


5. Corrosion

5.1 Operation

The chart below illustrates the corrosive resistance of different types of stainless steel related to NaCl concentration and temperature. All critical parts of the iSave is made of Super Duplex 1.4410/UNS 32 750 or the like.

Always flush the iSave with fresh water at operation stop in order to minimize the risk of crevice corrosion.



6. Noise level

The noise level for the iSaves is measured at max. speed, a pressure of 80 barg and a booster pressure of 3 bar. Since the iSave is mounted on a bell housing and electric motor, the noise level can only be determined for the complete unit (system).

It is therefore important that a horizontal iSave unit is mounted correctly on a frame with dampeners to minimize vibrations and noise. We recommend to mount a vertical iSave directly to the floor with bolts. It is also strongly recommended to use high-pressure flexible hoses between the hard piping in the RO-plant and the iSave or to use multiple connections with Victaulic clamps.

The noise level is influenced by:

Speed:

- High rpm makes more fluid/structure-borne pulsations/vibrations than low rpm due to higher frequency.

Pressure:

- High pressure makes more noise than low pressure.

Mounting:

- Rigid mounting makes more noise than flexible mounting due to structure-borne vibrations.

Connections to iSave:

- Pipes connected directly to the iSave make more noise than flexible hoses due to structure-borne vibrations.
- Variable frequency drives (VFD): Motors regulated by VFDs can increase noise level if the VFD does not have the right settings.

Noise level (dB(A) measured for the iSave 21 and 40 at different speed and system pressure. Booster pressure 3 bar.

iSave21

barg/psig rpm	30/435	60/870	80/1160
500	n.a.	n.a.	68
1000	n.a.	n.a.	74
1500	n.a.	n.a.	78

iSave40

barg/psig rpm	30/435	60/870	80/1160
800	73	77	78
1000	76	79	81
1200	78	82	84

7. Filtration

It is important that the incoming water is filtered properly to ensure optimum service life. A true graded density, melt-blown depth filter cartridge rated at 3 µm is therefore recommended.

It is important with selection of a proper filter housing to ensure good cartridge end sealing. If there is a high risk of water by-pass it is recommended to use a second stage filter solution.

As the various filters on the market differ greatly, Danfoss High Pressure Pumps recommends using cartridges with consistent, reliable performance and high efficiency and where fibres are blown continuously onto a central

support core. High Pressure Pumps does not recommend cartridges requiring any type of binders or resins.

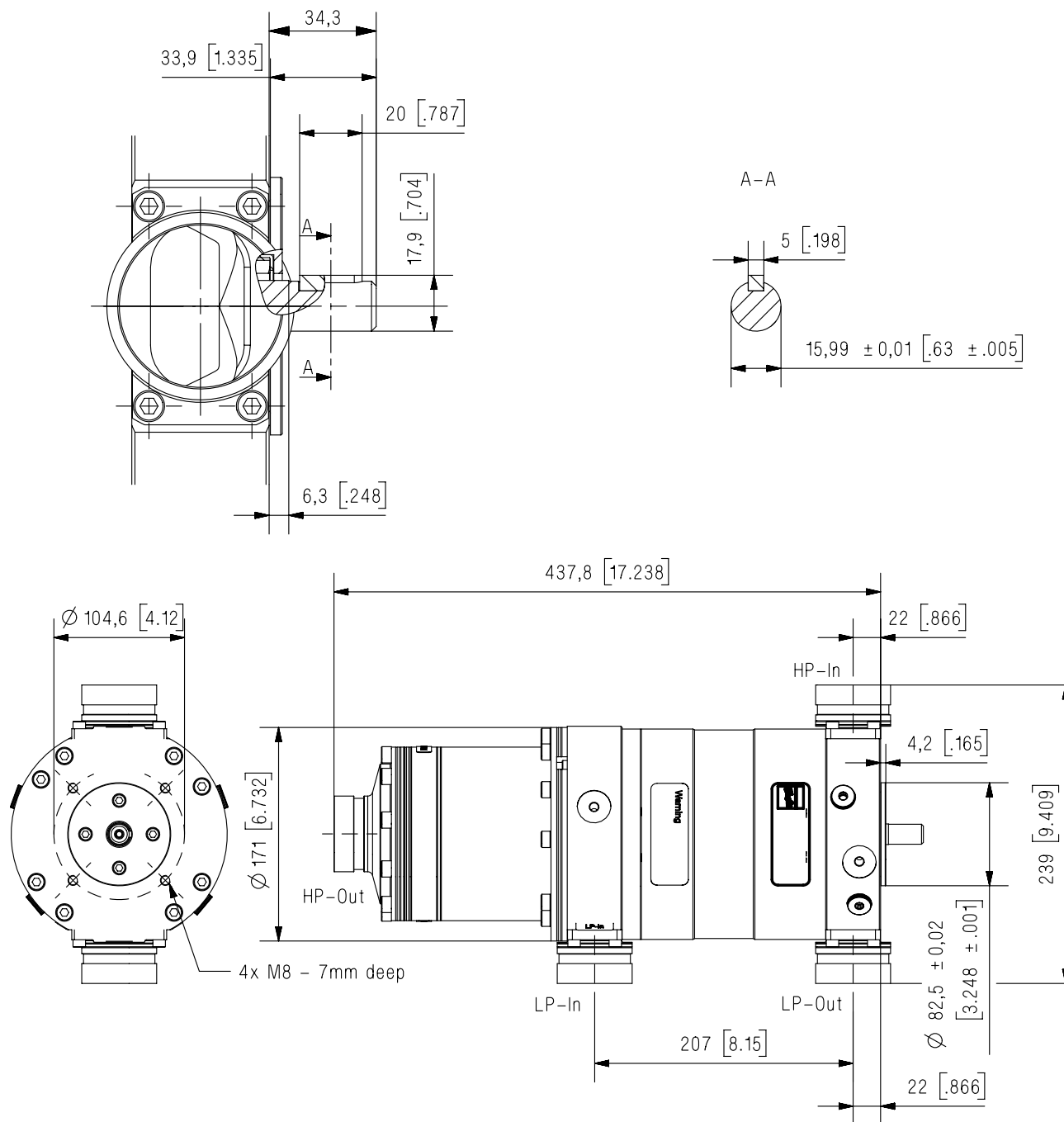
Filters can be purchased from Danfoss High Pressure Pumps. Please see section 10.0, "RO systems with an iSave", for installation of filter. For more information on the importance of proper filtration, please consult our publication "Filtration" (code number 521B1009), which also will provide you with an explanation of filtration definitions and a guidance on how to select the right filter.

8. iSave drawings

8.1 Assembled iSave 21 / 40 without electric motor

iSave 21

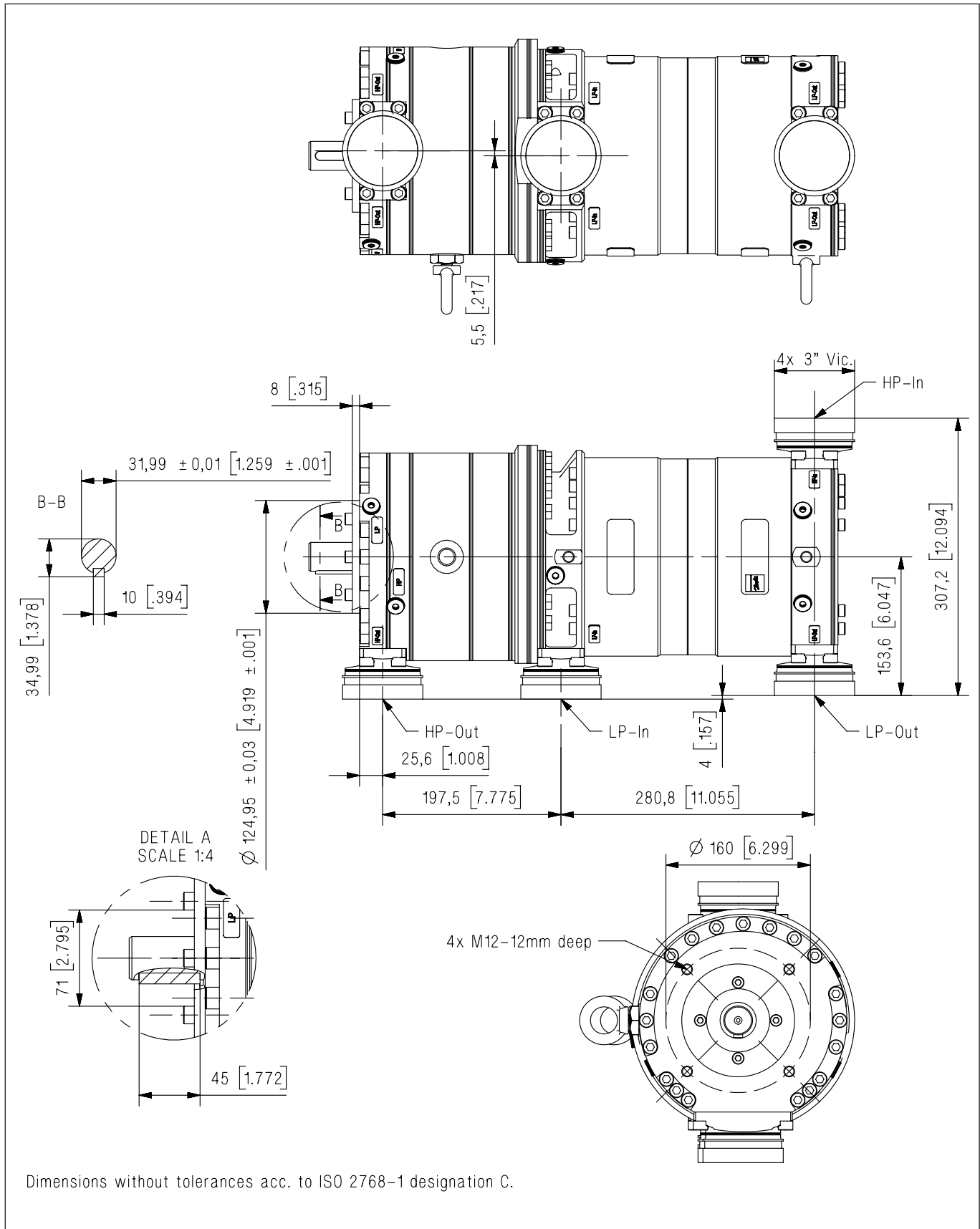
(Code no.: 180F7010)



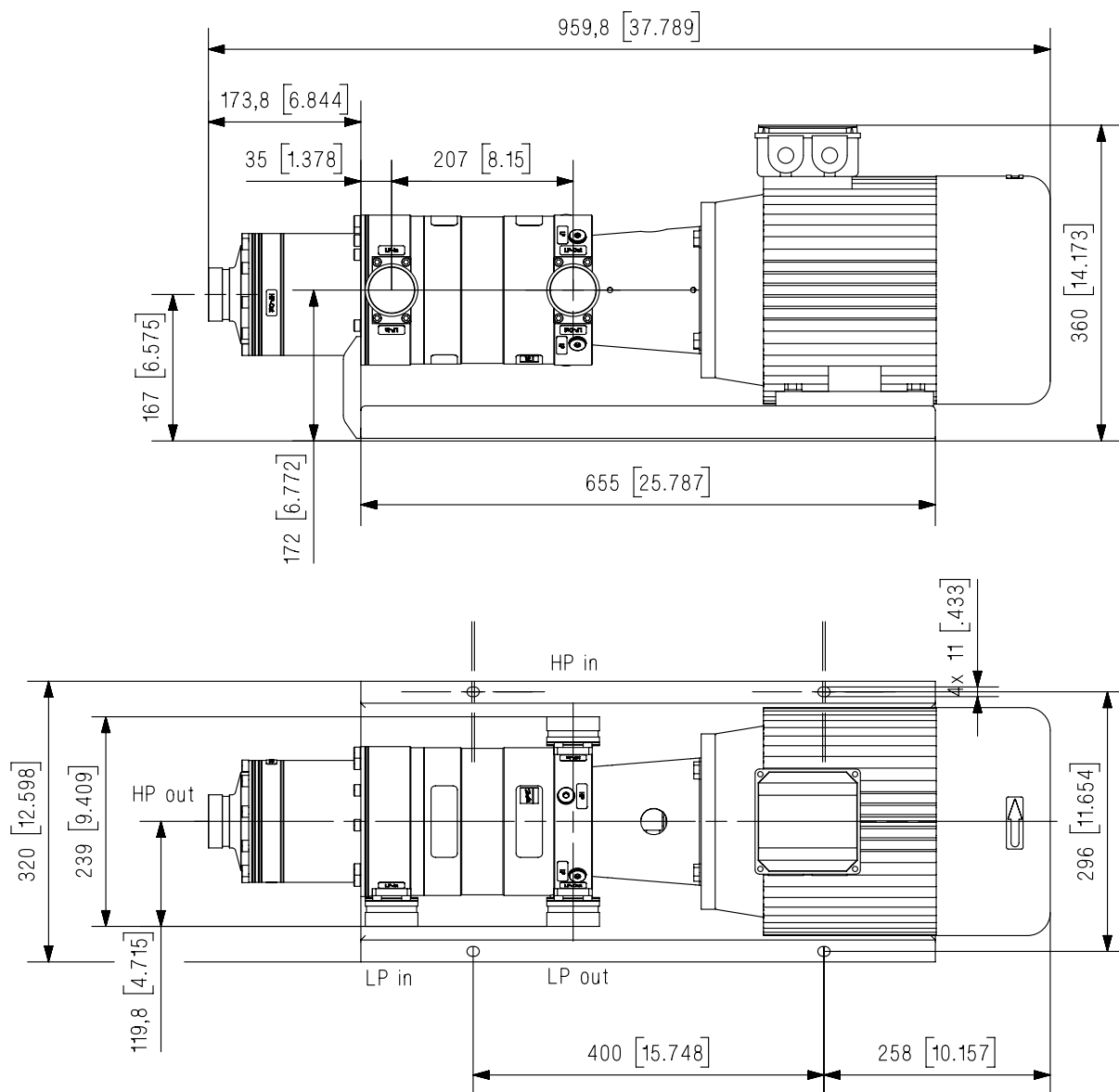
Dimensions without tolerances acc. To ISO 2768-1 designation C.

iSave 40

(Code no.: 180F7011)

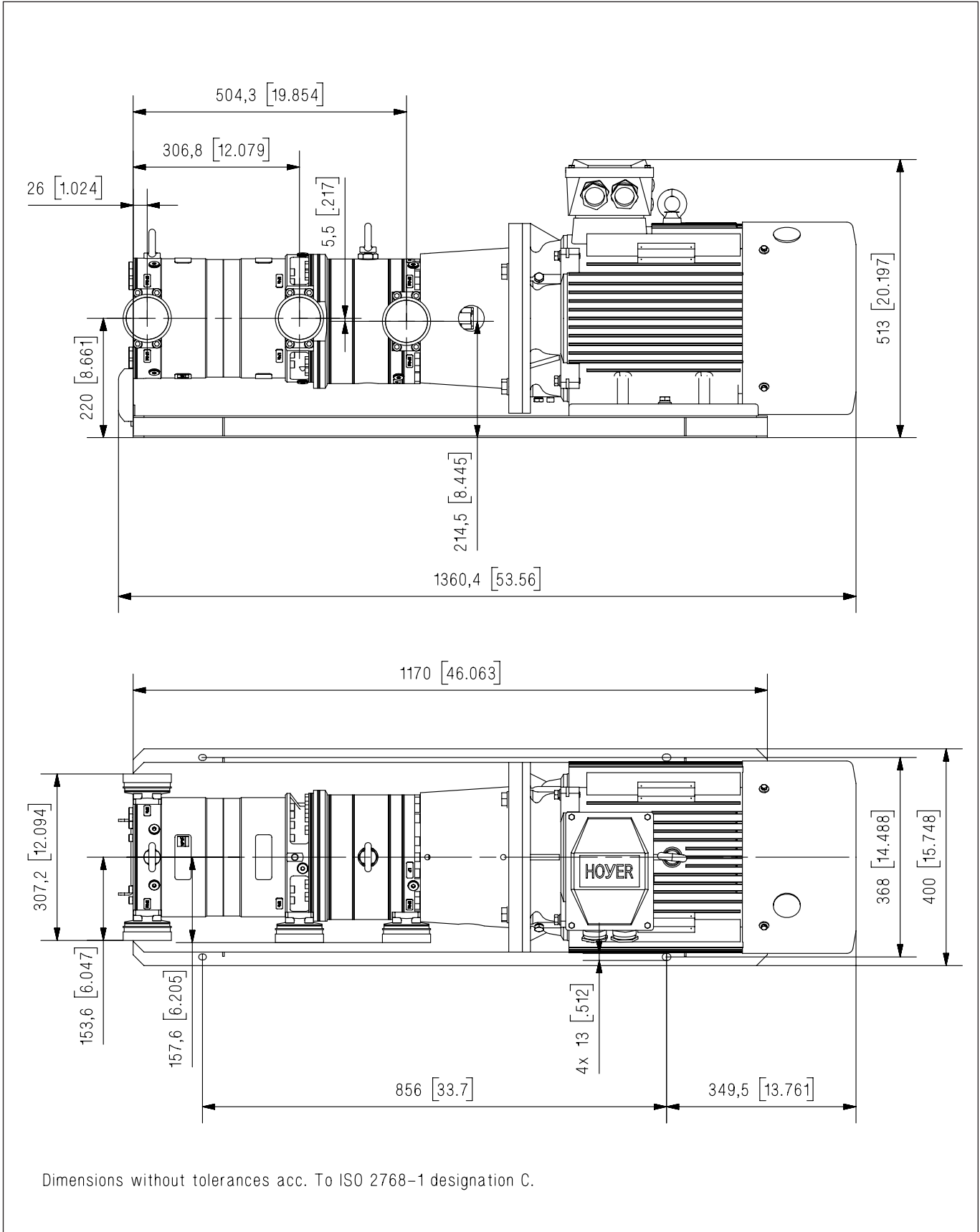


8.2 Assembled iSave 21 / 40 with IEC electric motor iSave 21
 (Code no.: 180F7000)
 5,5 kW, 4 pole, IEC motor



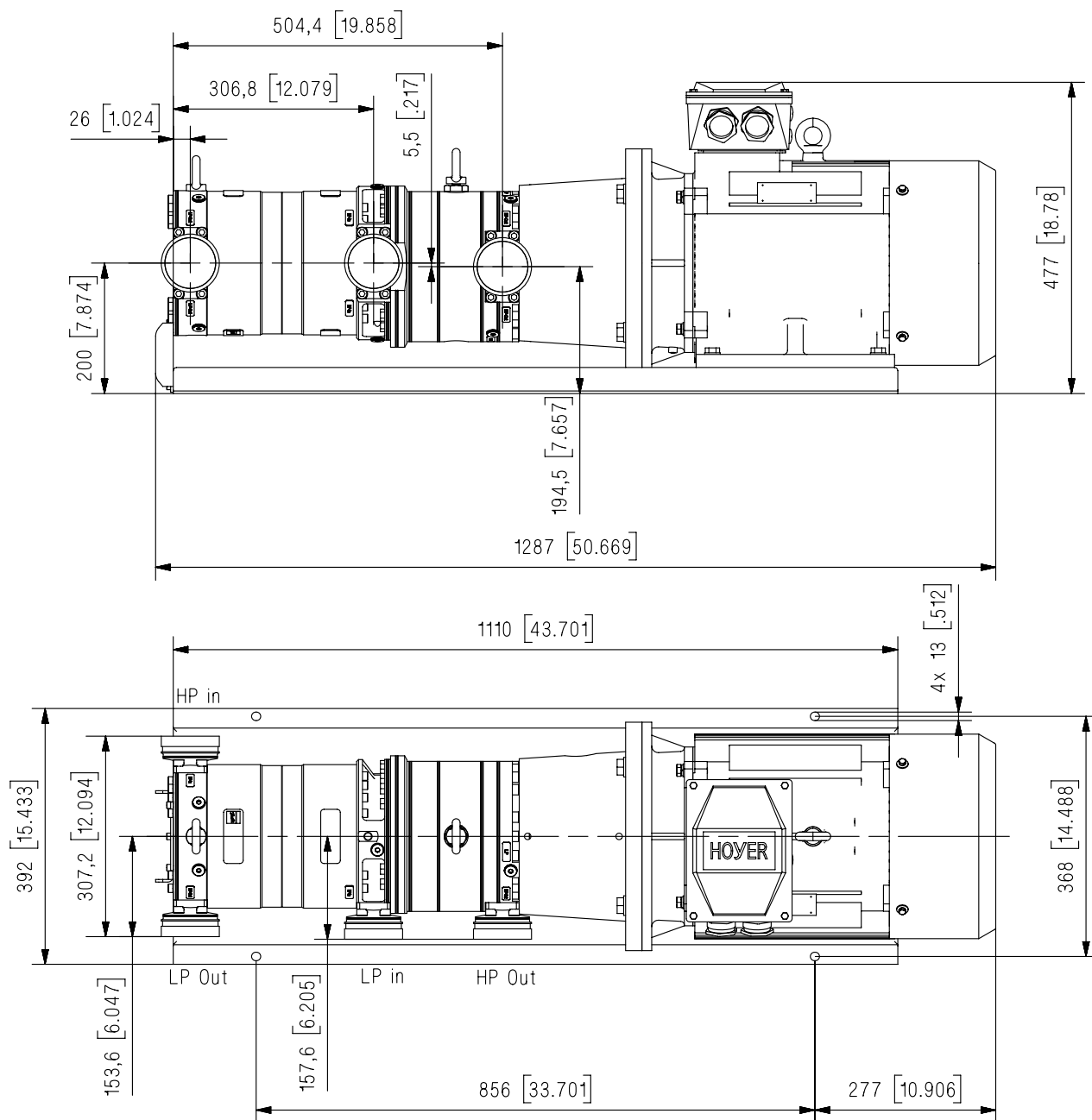
Dimensions without tolerances acc. To ISO 2768-1 designation C.

iSave 40 - horizontal
 (Code no.: 180F7001)
 11 kW, 6 pole, IEC motor



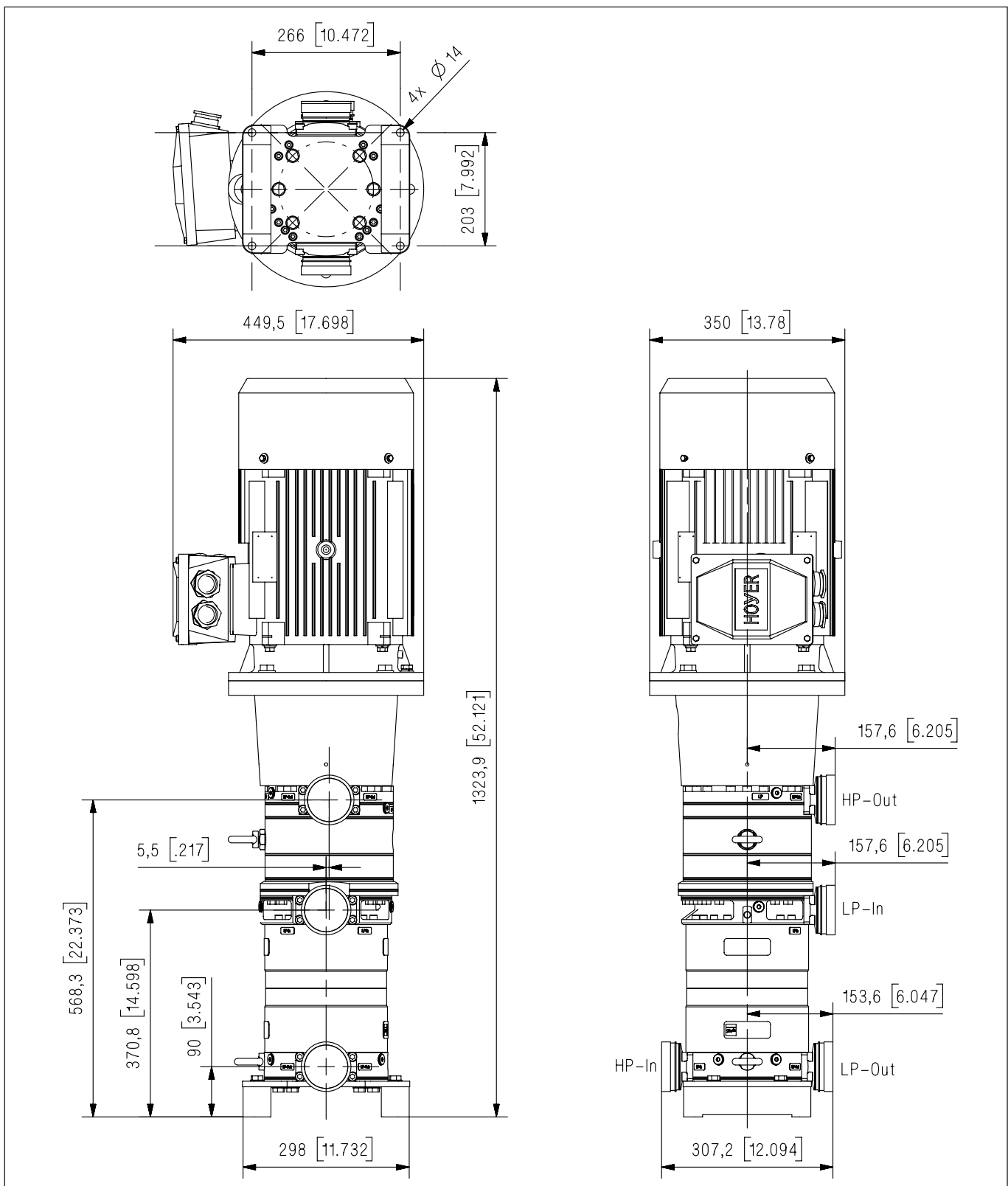
Dimensions without tolerances acc. To ISO 2768-1 designation C.

iSave 40 - horizontal
 (Code no.: 180F7004)
 15 kW, 6 pole, IEC motor



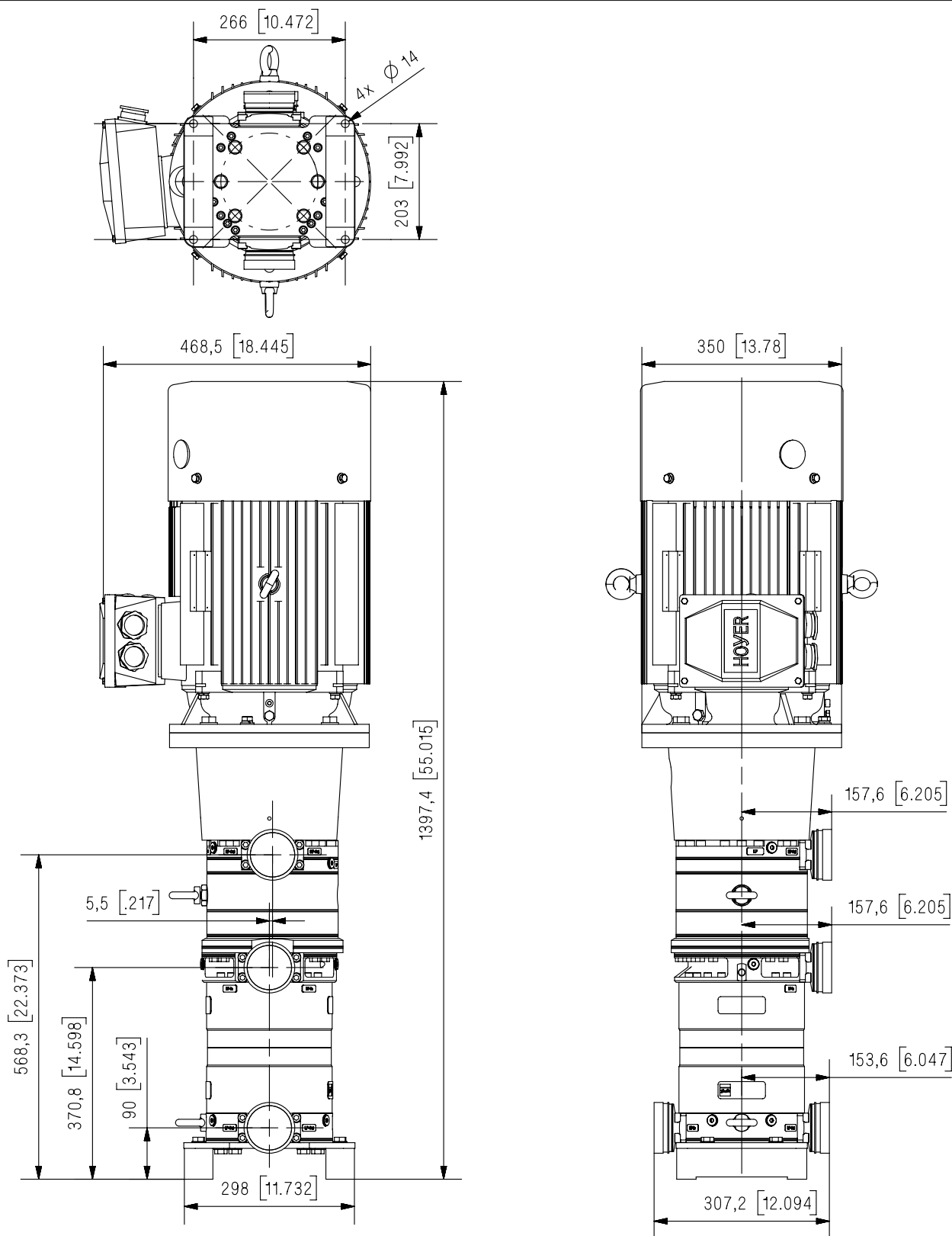
Dimensions without tolerances acc. To ISO 2768-1 designation C.

iSave 40 - vertical
(Code no.: 180F7003)
11 kW, 6 pole, IEC motor



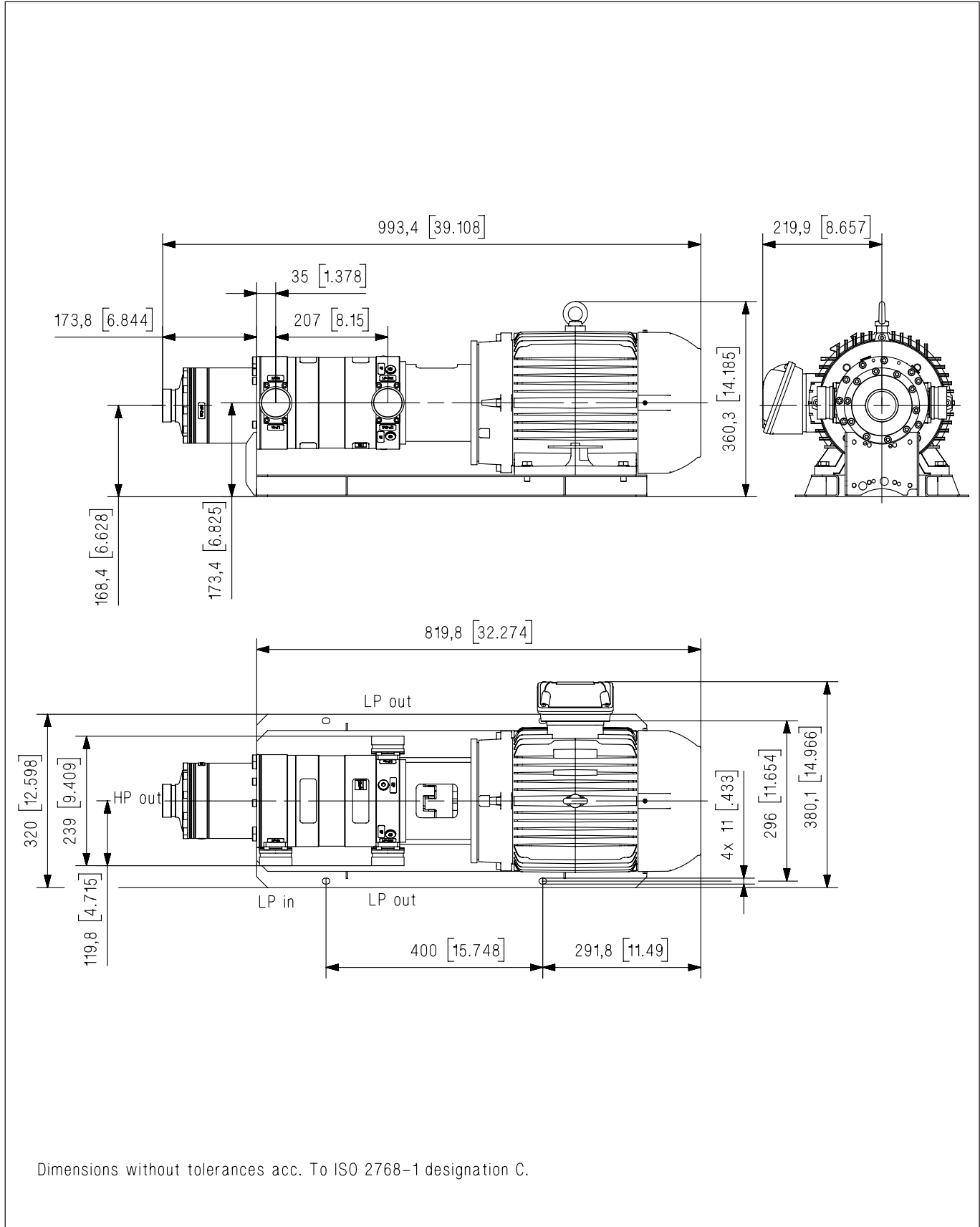
Dimensions without tolerances acc. to ISO 2768-1 designation C.

iSave 40 - vertical
 (Code no.: 180F7005)
 15 kW, 6 pole, IEC motor



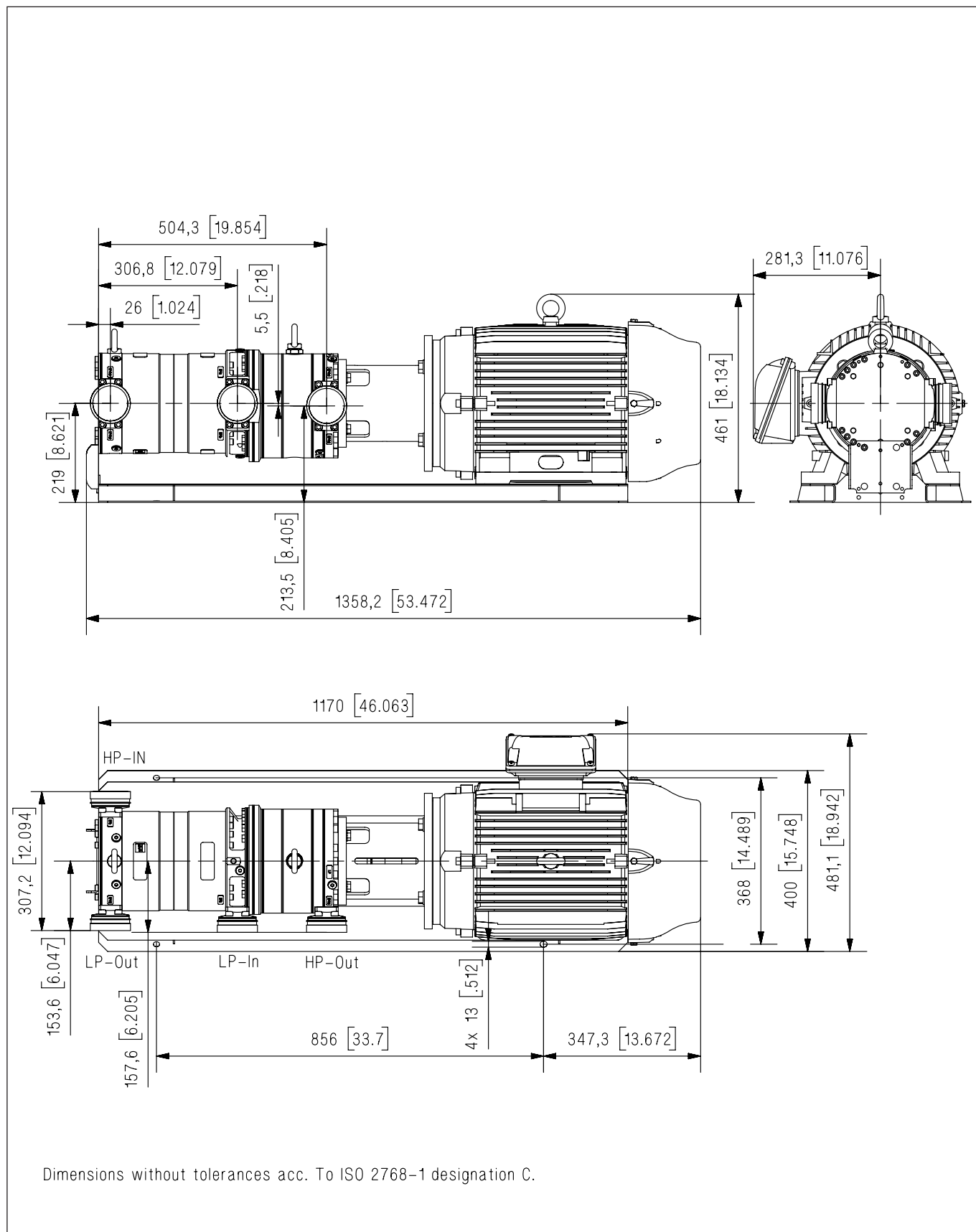
Dimensions without tolerances acc. To ISO 2768-1 designation C.

8.3 Assembled iSave 21-40 with NEMA motor
iSave 21
(Code no. 180F7010N104H)
10 HP, 4 pole, NEMA motor

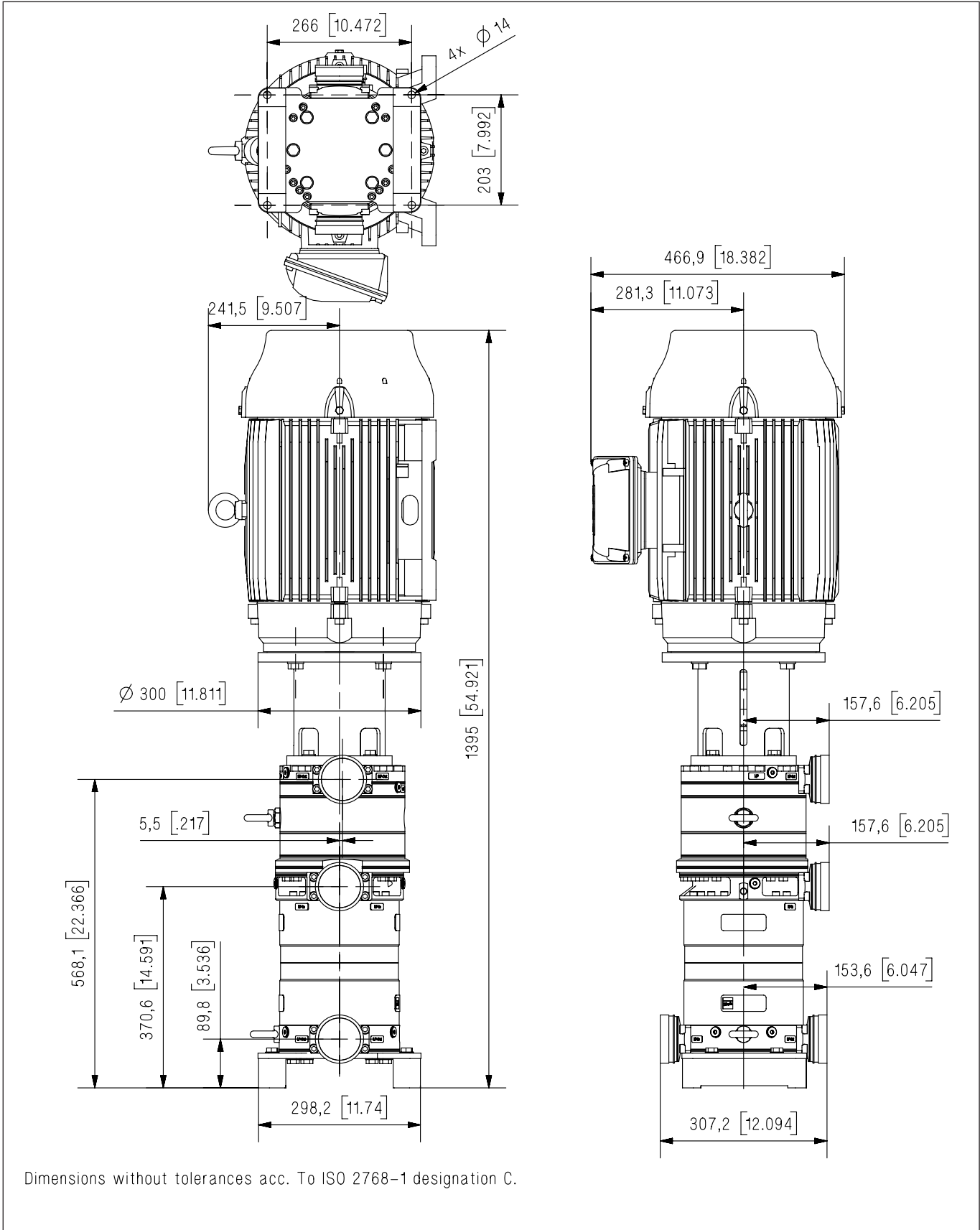


Dimensions without tolerances acc. To ISO 2768-1 designation C.

iSave 40 - horizontal
(Code no. 180F7011N206H)
20 HP, 6 pole, NEMA motor



iSave 40 - vertical
(Code no. 180F7011N206V)
20 HP, 6 pole, NEMA motor



9. Installation

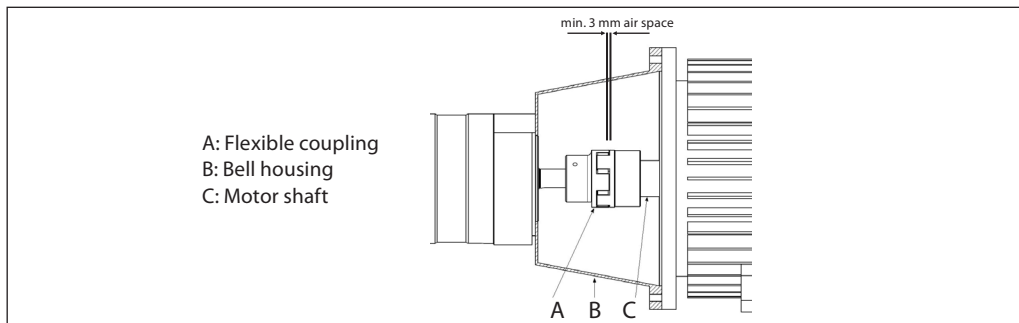
Orientation

The iSave can be mounted horizontally and vertically. When mounted vertically, the electric motor must be placed at the top of the iSave.

Mounting

The figure below illustrates how to mount the iSave and connect it to the electric motor.

Note: Any axial and radial load on the shaft must be avoided.

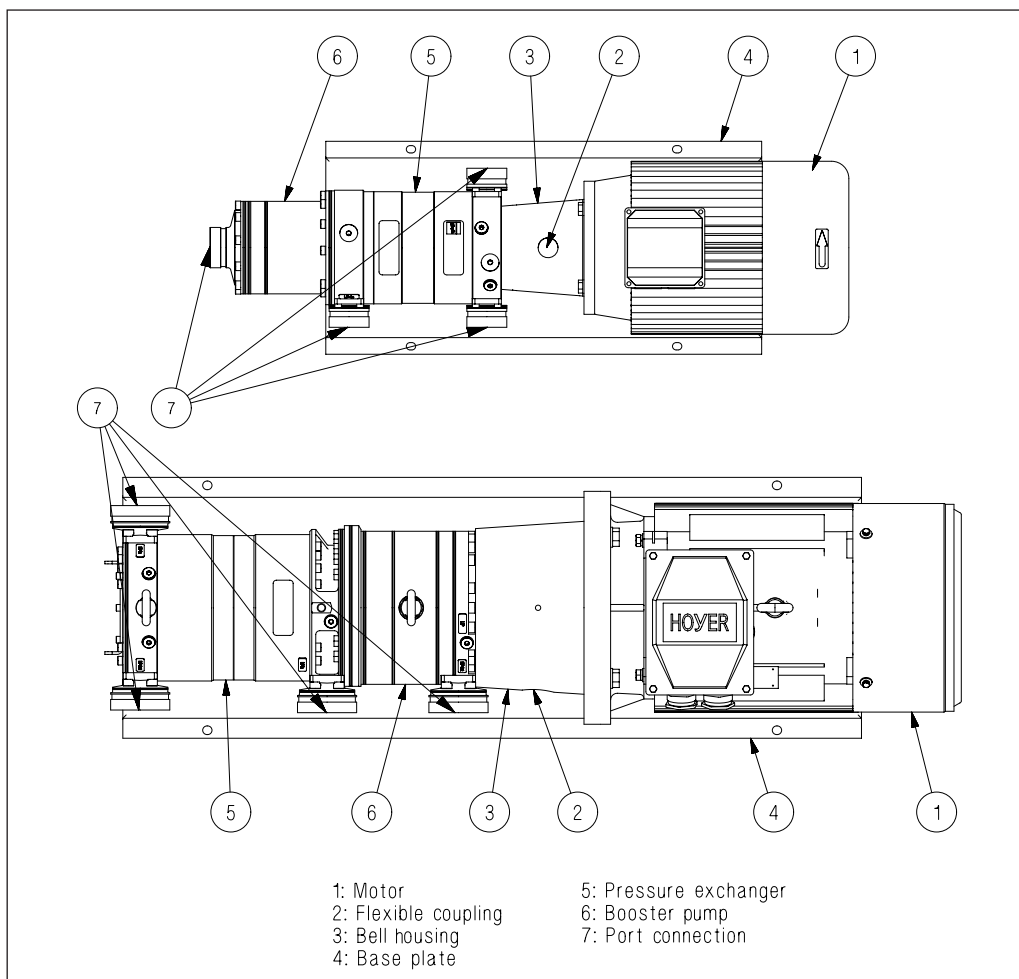


The iSave is connected to the electric motor by a bell housing and coupling.

The iSave and motor must be supported without applying stress/overload to the bell housing.

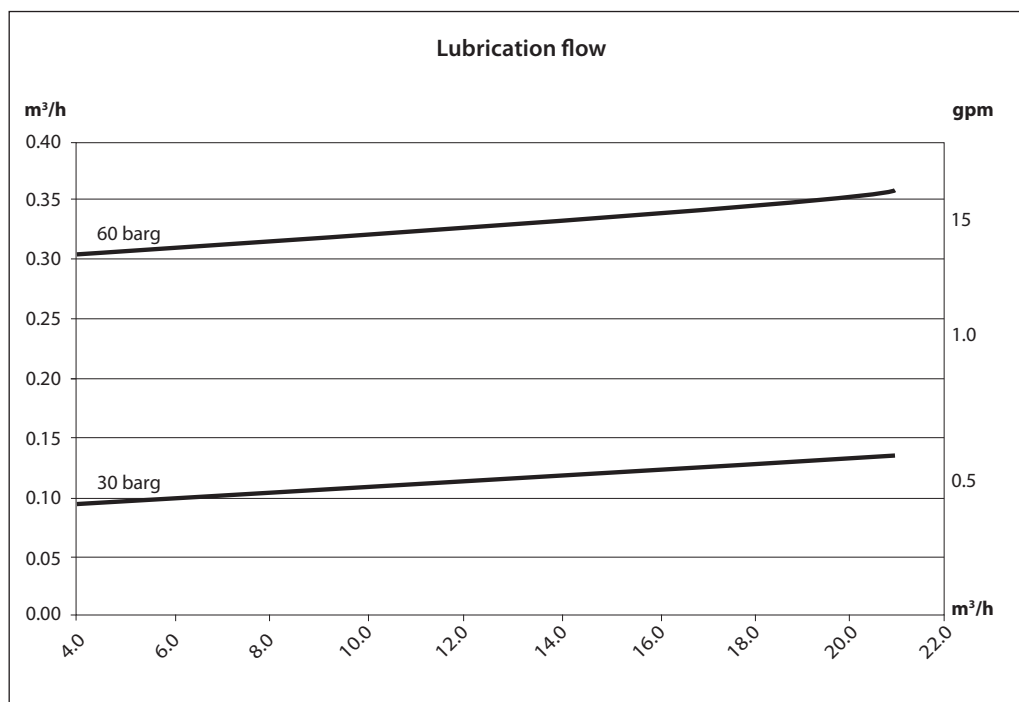
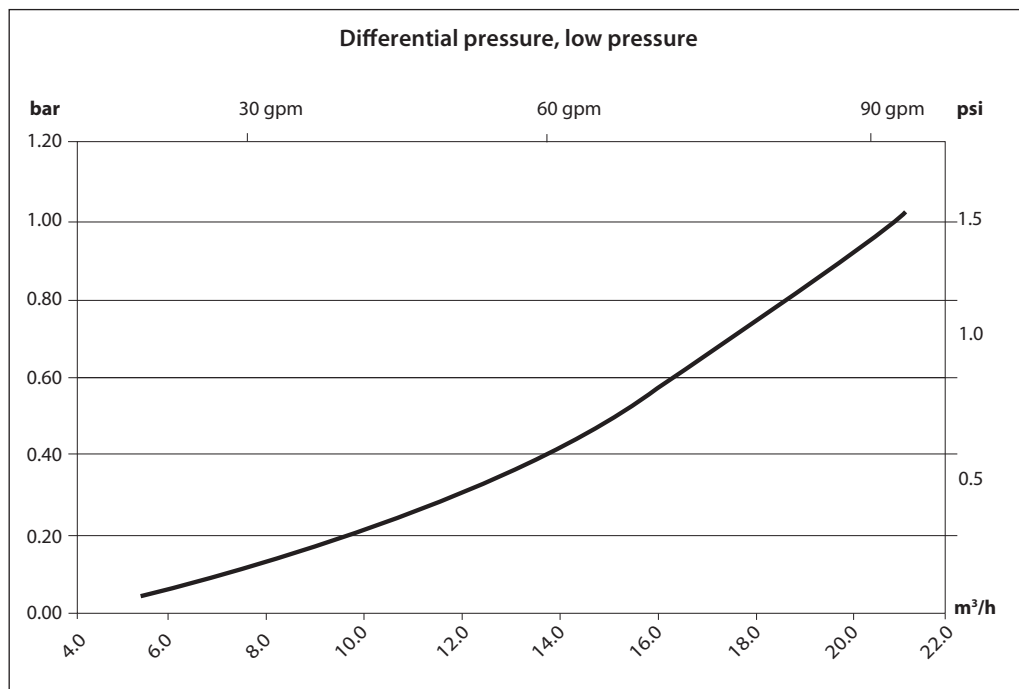
If a horizontal iSave is delivered without base plate it is important to support the iSave and motor. The bell housing is not able to carry the weight of either the iSave or the motor when using horizontal mounting.

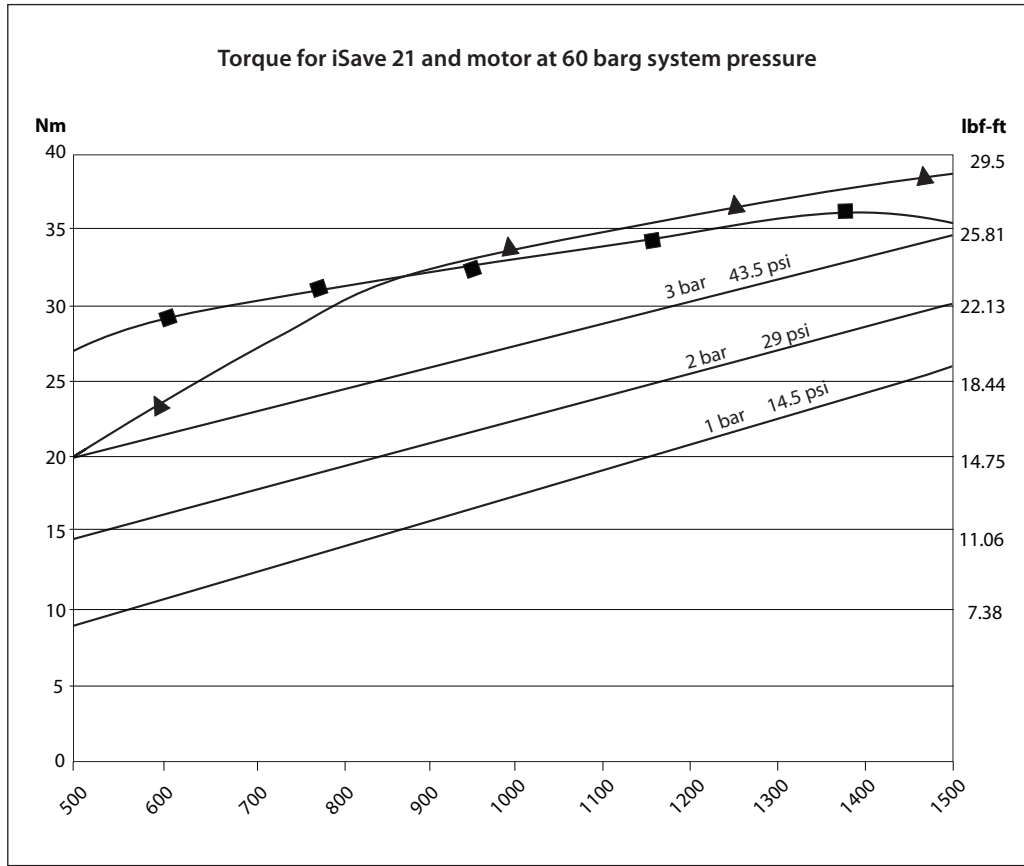
If a horizontal iSave is delivered with a baseplate, a rigid mounting surface is required such as concrete foundation, optional base frame or a container with suitable steel substructure.



11. Performance curves

11.1 Performance and torque curves iSave 21

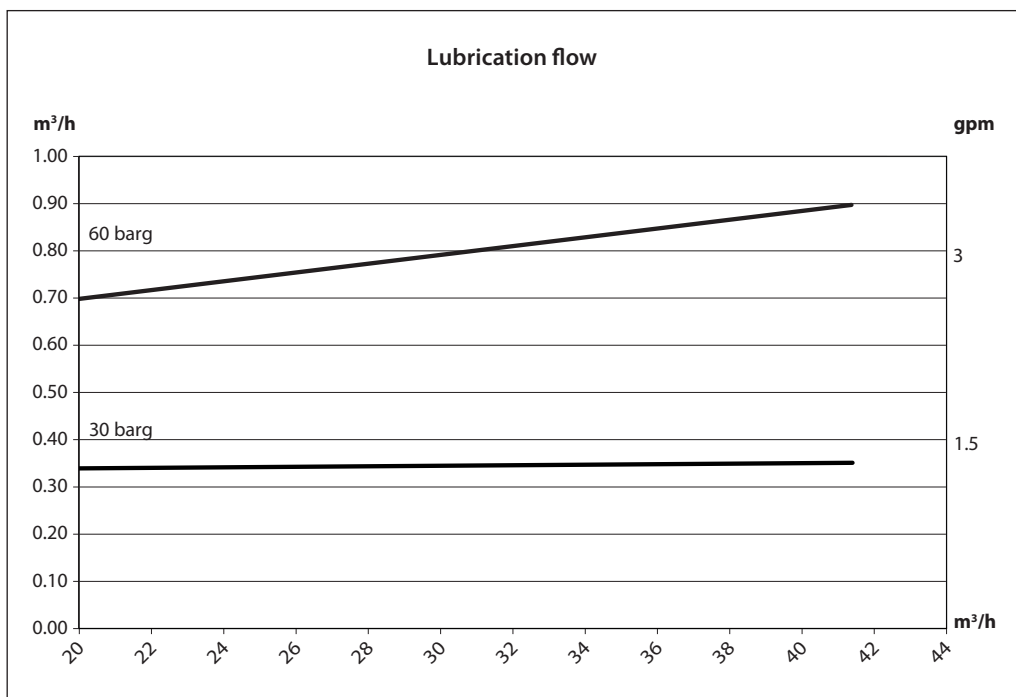
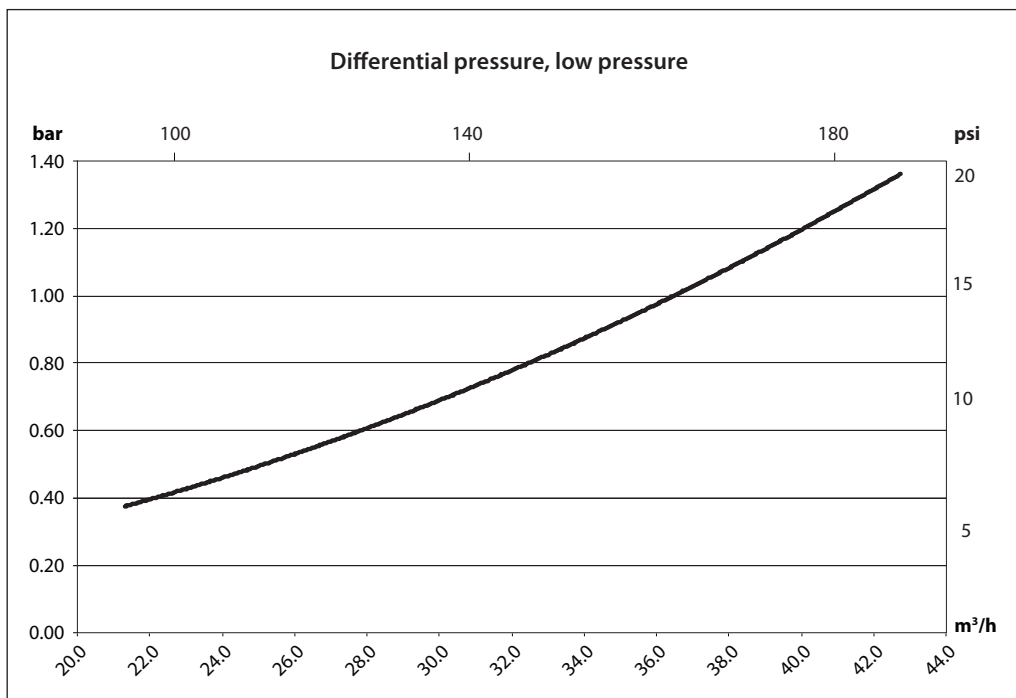


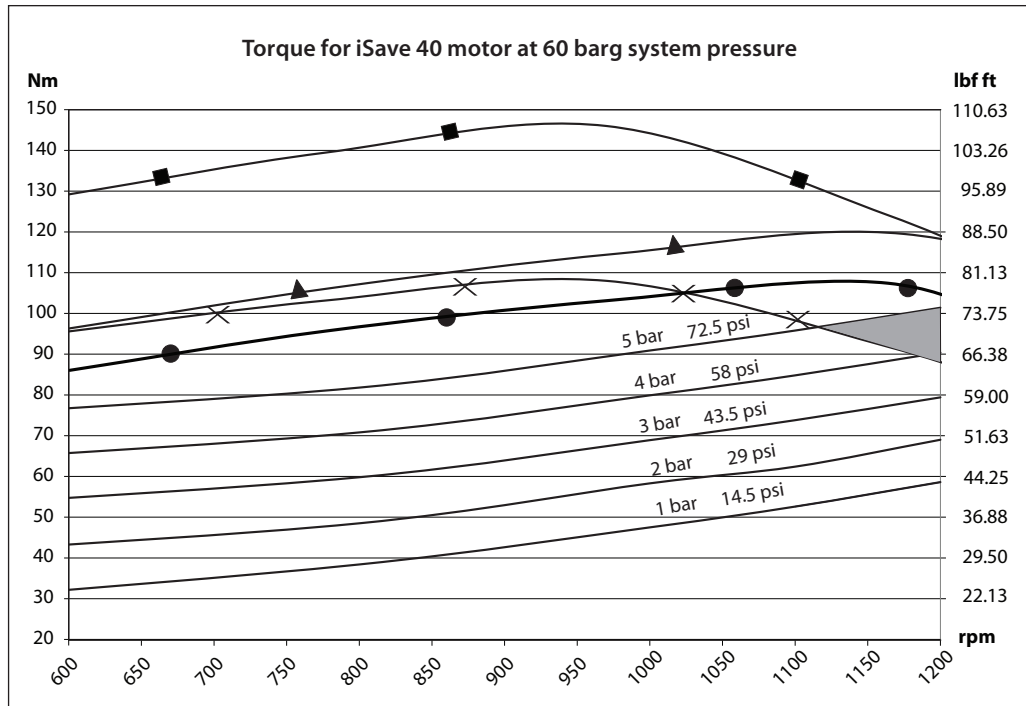


- Max motor torque for 5.5 kW, IEC132S-50 Hz, 400 V
- ▲ Max motor torque for 10 HP, NEMA215TC-4, 60 Hz, 460 V

The straight pressure lines (1 to 3 bar) show the needed shaft torque for the iSave at different differential pressures

11.2 Performance and torque curves iSave 40





- **Important:**
The marked area at 1100-1200 rpm shows the operation area which cannot be reached with a 11 kW motor at 400 voltage supply. A 15 kW is needed if max rpm (1100-1200) and max differential pressure (4 to 5 bar) is required.
 - Max motor torque for 15 kW, IEC180L-6, 50 Hz, 400 V
 - ▲ Max motor torque for 20 HP, NEMA286TC-6, 60 Hz, 460 V
 - ✕ Max motor torque for 11 kW, IEC160L-6, 50 Hz, 400 V
 - Max motor torque for 11 kW, IEC160L-6, 60 Hz, 480 V
- The straight pressure lines (1 to 5 bar) show the needed shaft torque for the iSave at different pressures.

12. Service**12.1 Warranty**

The Danfoss iSave is designed for long operation, low maintenance and reduced lifecycle costs.

Provided that the iSave has been running according to the Danfoss specifications, Danfoss guarantees 8,000 hours service-free operation, however, max. 18 months from date of production.

The life of an iSave may be greatly shortened if Danfoss recommendations concerning system design are not followed.

Standstill

The iSave is made of Super Duplex materials with excellent corrosion resistance. However, it is always required to flush the iSave when the system is shut down.

12.2 Maintenance

In our experience, poor filtration is the number one cause of iSave damage. Danfoss recommends an periodic inspection where worn parts, if any, must be replaced. This is done in order to to prevent a potential breakdown of the iSave.

12.3 Repair

In case of irregular function of the iSave, please contact Danfoss High Pressure Pumps.

Danfoss A/S
High Pressure Pumps
DK-6430 Nordborg
Denmark

Danfoss can accept no responsibility for possible errors in catalogues, brochures and other printed material. Danfoss reserves the right to alter its products without notice. This also applies to products already on order provided that such alterations can be made without subsequential changes being necessary in specifications already agreed. All trademarks in this material are property of the respective companies. Danfoss and the Danfoss logotype are trademarks of Danfoss A/S. All rights reserved.
