

5 Frame Plunger Pump

Standard Model

Gearbox Model

45 45G1

FEATURES

Superior Design

- Triplex plunger design gives smoother liquid flow.
- V-Packings are completely lubricated and cooled by the liquid being pumped.
- Lubricated Lo-Pressure Seals provide double protection against external leakage.
- Oil bath crankcase assures optimum lubrication.
- Close tolerance concentricity of the ceramic plunger maximizes seal life.
- Optional Gearbox Pump version for direct mounting to gas engine.

Quality Materials

- Precision design 304 stainless steel valves and seats are hardened and polished for ultimate seating and extended valve life.
- Forged brass manifold for strength and corrosion resistance.
- Special concentric, high-density, polished, solid ceramic plungers provide a true wear surface and extended seal life.
- Specially formulated, CAT PUMP exclusive, V-Packings offer unmatched performance and seal life.
- Die cast aluminum crankcase provides high strength, minimum weight and precision tolerance control.
- Chrome-moly crankshaft gives unmatched strength and surface hardness.
- Oversized crankshaft bearings with greater loading capacity means longer bearing life.

Easy Maintenance

- Wet-end easily serviced without entering crankcase.
- Valve assemblies are accessible without disturbing piping.
- Interchangeable inlet and discharge valve assemblies.
- Preset seals require no packing adjustment.

⚠ CAUTIONS AND WARNINGS

All High Pressure Systems require a primary pressure regulating device (i.e. regulator, unloader) and a secondary pressure safety relief device (i.e. pop-off valve, safety valve, relief valve). Failure to install such relief devices could result in personal injury or damage to pump or property. CAT PUMPS does not assume any liability or responsibility for the operation of a customer's high pressure system.

Read all CAUTIONS and WARNINGS before commencing service or operation of any high pressure system. The CAUTIONS and WARNINGS are included in each service manual and with each Accessory Data Sheet. CAUTIONS and WARNINGS can also be viewed online at www.catpumps.com/cautions-warnings or can be requested directly from CAT PUMPS.

WARRANTY

View the Limited Warranty on-line at www.catpumps.com/warranty.

SPECIFICATIONS

U.S. Measure

Metric Measure

MODELS 45, 45G1

Flow	4.5 GPM	(17 L/M)
Pressure Range.....	100 to 3500 PSI	(7 to 245 BAR)
Inlet Pressure Range.....	Flooded to 60 PSI	(Flooded to 4 BAR)
Pump RPM	1645 RPM	(1645 RPM)
Engine RPM (45G1)	3353 RPM	(3353 RPM)
Bore	0.630"	(16 mm)
Stroke	0.708"	(18 mm)
Crankcase Capacity	18 oz.	(0.55 L)
Maximum Liquid Temperature.....	160°F	(71°C)

Above 130°F call CAT PUMPS for inlet conditions and elastomer recommendations.

Inlet Ports (2)	1/2" NPTF	(1/2" NPTF)
Discharge Ports (2).....	3/8" NPTF	(3/8" NPTF)
Shaft Diameter - Single End.....	0.787"	(20 mm)
Weight	21.1 lbs.	(9.6 kg)
Dimensions.....	11.99 x 8.54 x 5.5"	(304.5 x 217.10 x 139 mm)

ELECTRIC HORSEPOWER REQUIREMENTS

FLOW		PRESSURE					MOTOR PULLEY SIZE	
		PSI 1500	PSI 2000	PSI 2500	PSI 3000	PSI 3500	Using 1725 RPM Motor & 7.0" Pump Pulley	
U.S. GPM	L/M	BAR 105	BAR 140	BAR 175	BAR 210	BAR 245	RPM	Pulley O.D.
4.0	15	4.1	5.5	6.9	8.3	9.6	1455	5.4
4.5	17	4.6	6.2	7.7	9.3	10.8	1645	6.0
4.5	17	4.6	6.2	7.7	9.3	10.8	1645	Gearbox

DETERMINING THE PUMP R.P.M.	<u>Rated G.P.M.</u>	=	<u>"Desired" G.P.M.</u>
	Rated R.P.M.		"Desired" R.P.M.
DETERMINING THE REQUIRED H.P.	<u>GPM x PSI</u>	=	Electric Brake
	1460		H. P. Required
DETERMINING MOTOR PULLEY SIZE	<u>Motor Pulley O.D.</u>	=	<u>Pump Pulley O.D.</u>
	Pump R.P.M.		Motor R.P.M.

See complete Drive Packages [Incls: Pulleys, Belts, Hubs, Key] Tech Bulletin 003.
Refer to pump **Service Manual** for repair procedure and additional technical information.
Consult engine manufacturer for gas engine selection.

"Customer confidence is our greatest asset"

PARTS LIST

ITEM	P/N	MATL	DESCRIPTION	QTY
2	30057	STL	Key (M6x6x25)	1
5	96031	STZP	Screw, Sems HHC (M8x16)	8
	126542	STCP R	Screw, Sems HHC (M8x16)	8
8	45951	AL	Cover, Bearing (M8)	1
10	43343	NBR	O-Ring, Bearing Cover - 70D	2
11	43222	NBR	Seal, Oil, Crankshaft - 70D	1
15	14480	STL	Bearing, Ball	2
20	45883	HS	Rod, Connecting Assy	3
25	45911	FCM	Crankshaft - Single End (M18)	1
30	45953	AL	Cover, Blind Shaft (M8)	1
31	828710	—	Protector, Oil Cap w/Foam Gasket	1
32	44666	RTP	Cap, Oil Filler, Domed	1
33	14177	NBR	O-Ring, Oil Filler Cap - 70D	1
37	92241	—	Gauge, Oil, Bubble w/Gasket - 80D	1
38	44428	NBR	Gasket, Flat, Oil Gauge - 80D	1
40	92519	STZP	Screw, Sems HHC (M6x16)	4
	125824	STCP R	Screw, Sems HHC (M6x16)	4
48	25625	STCP	Plug, Drain (1/4"x19BSP)	1
49	23170	NBR	O-Ring, Drain Plug - 70D	1
50	48777	AL	Cover, Rear [5/02] (See Tech Bulletin 090)	1
51	48773	NBR	O-Ring, Rear Cover [5/02] (See Tech Bulletin 090)	1
53	48778	AL	Crankcase (M8) [5/02] (See Tech Bulletin 090)	1
64	43351	CM	Pin, Crosshead	3
65	45908	ZZCP	Rod, Plunger	3
70	43228	NBR	Seal, Oil, Crankcase	3
75	43328	S	Slinger, Barrier	3
88	45697	S	Washer, Keyhole	3
90	45783	CC	Plunger (M16x72)	3
95	126558	STCP R	Stud, Plunger Retainer (M6x64.5)	3
96	43235	PTFE	Back-up-Ring, Plunger Retainer	3
97	17399	NBR	O-Ring, Plunger Retainer - 80D	3
	14160	FPM	O-Ring, Plunger Retainer - 70D	3
98	45891	CU	Gasket, Plunger Retainer	3
99	46504	S	Retainer, Plunger (M6)	3
100	45784	PVDF	Retainer, Seal, 2-Pc [04/06] (See Tech Bulletin 105)	3
106	43316	NBR	Seal, LPS w/S-Spg	3
	106660	FPM	Seal, LPS w/S-Spg	3
120	45789	BB	Case, Seal	3
121	14200	NBR	O-Ring, Seal Case - 70D	3
	11719	FPM	O-Ring, Seal Case	3
126	43320	BB	Adapter, Female	3
127	43319	SNG	V-Packing	6
	46287	HT	V-Packing (See Tech Bulletin 073)	6
128	43318	BB	Adapter, Male	3
163	17547	NBR	O-Ring, Valve Seat - 85D	6
	11685	FPM	O-Ring, Valve Seat - 85D	6
164	45790	S	Seat	6
166	45899	S	Valve	6
167	43750	S	Spring	6
168	44565	PVDF	Retainer, Spring	6
172	17549	NBR	O-Ring, Valve Plug - 70D	6
	26996	FPM	O-Ring, Valve Plug - 70D	6
173	48365	D	Back-up-Ring, Valve Plug	6
174	45900	BB	Plug, Valve	6
185	45907	FBB	Head, Manifold	1
188	126520	STCP R	Screw, Sems HSH (M10x35)	2
260	30611	STZP R	Assy, Angle Rail, B (2.09" x 9.45")	1
	30645	STZP R	Assy, Angle Rail, A (2.95" x 11.81")	1
275	30944	STL	Hub & Key Assy, "H" Series, M20, (M6 Key) (Incls: 30057, 30945) <i>[See Drive Accessory Packages, Tech Bulletin 003]</i>	1
283	34334	—	Kit, Oil Drain (3/8" x 24") (See Tech Bulletin 077)	1
300	30629	NBR	Kit, Seal (Incls: 97, 106, 121, 127)	1
	76629	FPM	Kit, Seal (Incls: 97, 106, 121, 127)	1
	31629	HT	Kit, Seal (Incls: 97, 106, 121, 127)	1
310	30683	NBR	Kit, Valve, Preassembled (Incls: 163, 164, 166, 167, 168, 172, 173)	2
	76683	FPM	Kit, Valve, Preassembled (Incls: 163, 164, 166, 167, 168, 172, 173)	2
350	30696	STZP	Plier, Reverse	1
351	43257	STZP	Tool, Seal Case Removal	1
	33005	STZP	Socket, Seal Case (1/2" Drive)	1
	6575	—	Plunger Pump Service DVD	1
500	8065	—	Gearbox (See Individual Data Sheet)	1
	6107	—	Oil, Bottle (21 oz.) ISO-68 Hydraulic (Fill to specified crankcase capacity prior to start-up)	1

Italics are optional items. [] Date of latest production change. R Components comply with RoHS Directive.

View Tech Bulletins 02, 03, 024, 035, 036, 043, 054, 060, 067, 074, 077, 083, 090, and 105 for additional information.

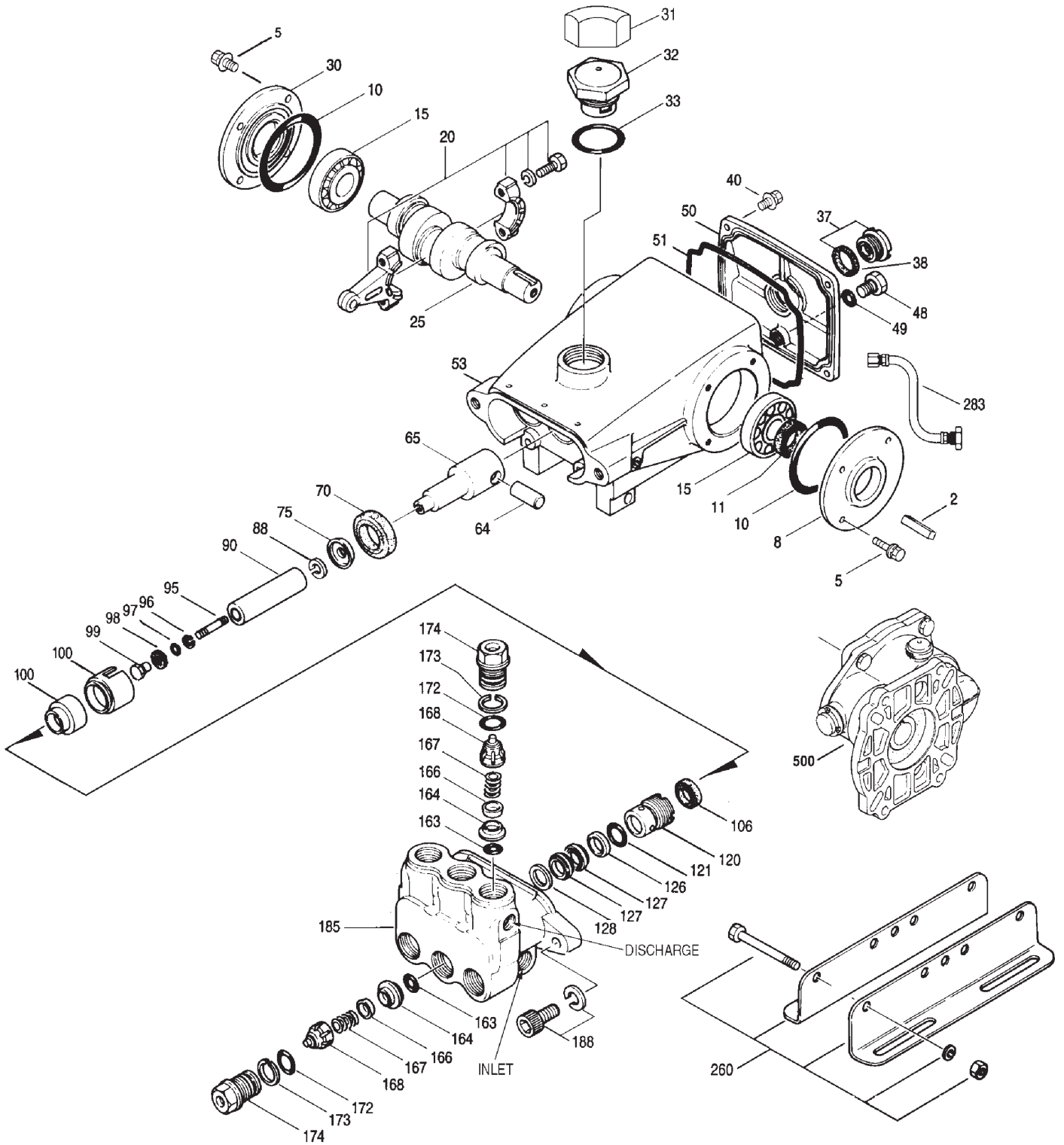
MATERIAL CODES (Not Part of Part Number): AL=Aluminum BB=Brass CC=Ceramic CM=Chrome-moly CU=Copper D=Acetal FBB=Forged Brass

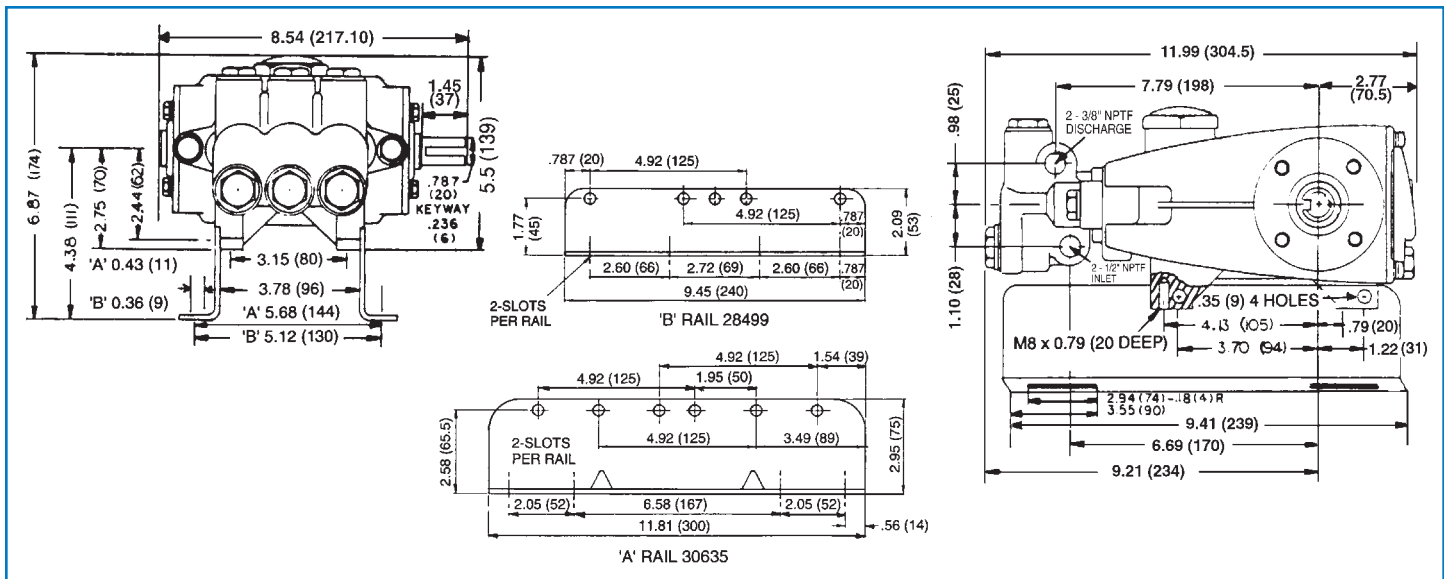
FCM=Forged Chrome-moly FPM=Fluorocarbon HS=High Strength HT=Hi-Temp (EPDM Alternative) NBR=Medium Nitrile (Buna-N)

PTFE=Pure Polytetrafluoroethylene PVDF=Polyvinylidene Fluoride RTP=Reinforced Composite S=304SS SNG=Special Blend (Buna)

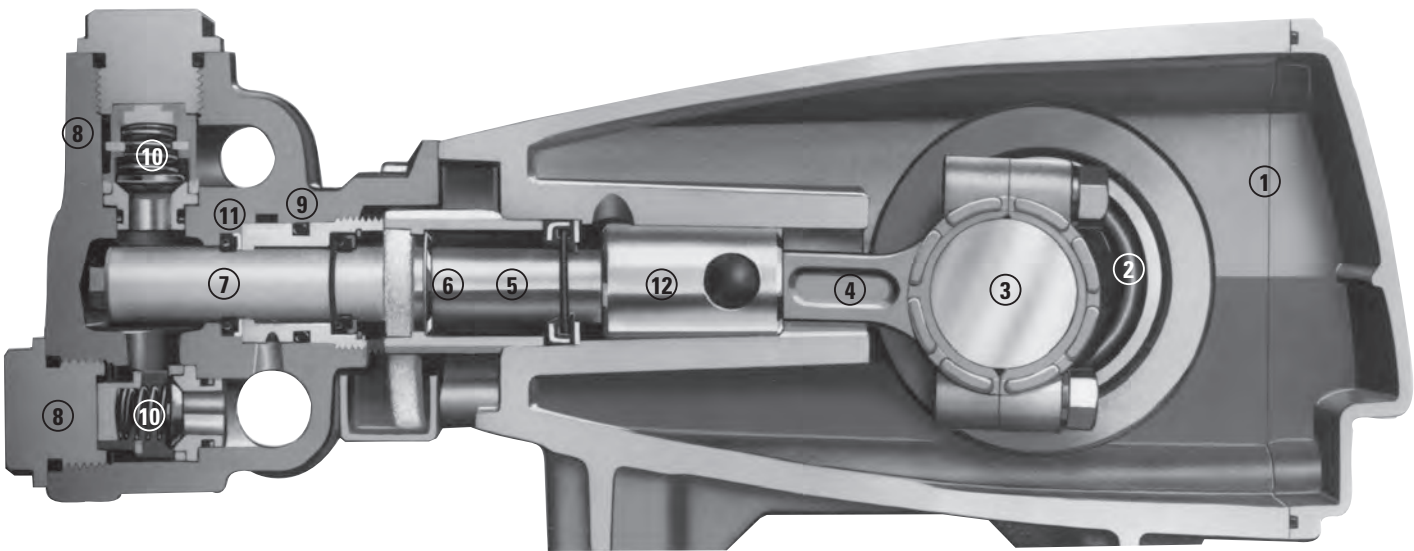
STCP=Steel/Chrome Plated STL=Steel STZP=Steel/Zinc Plated ZZCP=Zamak/Chrome Plated

EXPLODED VIEW





Models 45, 45G1



- 1 Die cast aluminum **crankcase** means high strength, lightweight, and excellent tolerance control.
- 2 Oversized crankshaft **bearings** provide extended bearing life and pump performance.
- 3 Chrome-moly **crankshaft** provides unmatched strength and surface hardness for long life.
- 4 Matched oversized high strength **connecting rods** noted for superior tensile strength and bearing quality.
- 5 High strength **plunger rods** for high load bearing and longevity.
- 6 The stainless steel **slinger** provides backup protection for the crankcase seal, keeping pumped liquids out of the crankcase.
- 7 Special concentric, high-density, polished, solid ceramic **plungers** provide a true wear surface and extended seal life.
- 8 **Manifolds** are a high tensile strength forged brass for long term, continuous duty.
- 9 100% wet **seal** design adds to service life by allowing pumped liquids to cool and lubricate on both sides.
- 10 Stainless steel **valves, seats and springs** provide corrosion-resistance, ultimate seating and extended life.
- 11 Specially formulated, CAT PUMP exclusive, **V-Packings** offer unmatched performance and seal life.
- 12 **Crossheads** are 360° supported for uncompromising alignment.

World Headquarters

CAT PUMPS

1681 - 94th Lane N.E. Minneapolis, MN 55449-4324

Phone (763) 780-5440 — FAX (763) 780-2958

e-mail: techsupport@catpumps.com

www.catpumps.com

International Inquiries

FAX (763) 785-4329

e-mail: intlsales@catpumps.com



The Pumps with Nine Lives

CAT PUMPS (U.K.) LTD.

1 Fleet Business Park, Sandy Lane, Church Crookham

FLEET, Hampshire, GU52 8BF, England

Phone Fleet 44 1252-622031 — Fax 44 1252-626655

e-mail: sales@catpumps.co.uk www.catpumps.co.uk

N.V. CAT PUMPS INTERNATIONAL S.A.

Heiveldekens 6A, B-2550 Kontich, Belgium

Phone 32-3-450.71.50 — Fax 32-3-450.71.51

e-mail: cpi@catpumps.be www.catpumps.be

CAT PUMPS DEUTSCHLAND GmbH

Buchwiese 2, D-65510 Idstein, Germany

Phone 49 6126-9303 0 — Fax 49 6126-9303 33

e-mail: catpumps@t-online.de www.catpumps.de