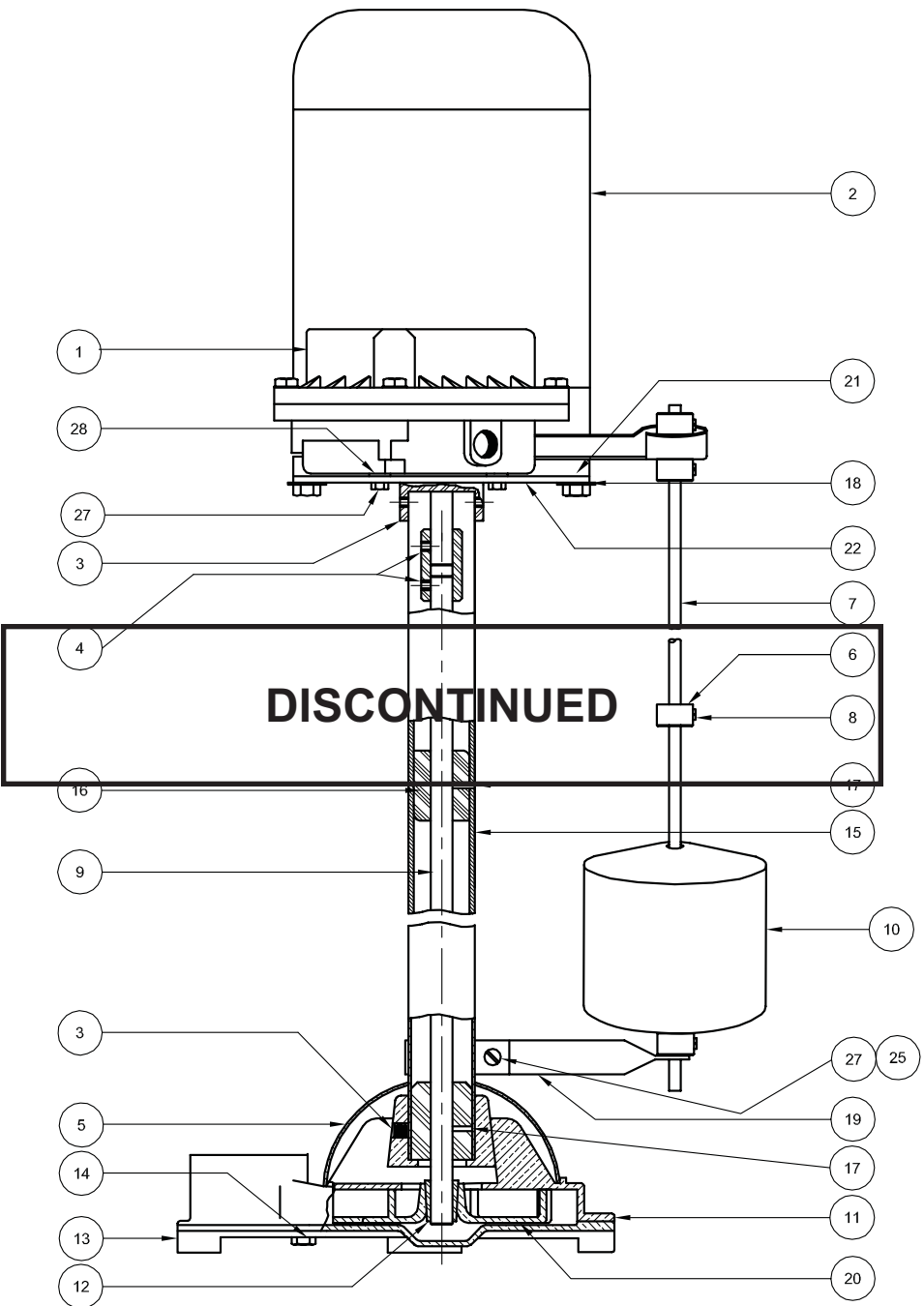


Sump Pumps



SECTION SP
PAGE 92
DATE 4/06



A Crane Co. Company

PUMPS & SYSTEMS

USA: (937) 778-8947 • Canada: (905) 457-6223 • International: (937) 615-3598

SYMBOL NUMBER	PART NUMBER	QTY	DESCRIPTION
16	23143	2	Bearing
17	23147	2	Pin
18	21236	4	Cap Screw
19	23208	1	Float Rod Bracket
20	09356-C	1	Impeller
21	23103-A	1	Adapter
22	23239	1	Switch Bracket
25	15-5-1	1	Hex Nut
26	21022	1	Socket Hd. Set Screw (Not Shown)
27	1-4-1	3	Hex Hd Screw
28	20-5-1	2	Flat Washer

(*) Column Assembly includes symbols 15, 16 & 17 use same Part No. suffix as column.

SYMBOL NUMBER	PART NUMBER	QTY	DESCRIPTION
1	23240	1	Switch
2	23225M	1	Motor - 1/3HP, 1PH., XP
3	08182	3	Set Screw, 5/16-18 x .38" Lg., SS
4	23204	1	Coupling
5	20669	1	Screen
6	09379	4	Stop Collar
7	23152-23.00	1	Float Rod, VS-1¼-2
	23152-47.00	1	Float Rod, VS-1¼-4
8	09403	4	Slotted Hd Set Screw, 1/4-20 x .25" Lg, Brass
9	23141-20.75	1	Shaft, VS-1¼-2
	23141-44.75	1	Shaft, VS-1¼-4
10	09373	1	Float
11	09354-A	1	Volute Housing
12	20553	3	Collet
13	09355-A	1	Base
14	08169	5	Cap Screw, 1/4-20 x .50" Lg., Bronze
15	23148-21.88	1	Column Assy *
	23148-45.88	1	Column Assy *

DISCONTINUED