

High Temperature Pumps - Jacketed Seal

SYMBOL NUMBER	DESCRIPTION	PART NUMBER PUMP SERIES G5-1-1/4 GNA5-1-1/4	PART NUMBER PUMP SERIES G6-1-1/4 GNA6-1-1/4
1	Shaft Seal - Viton/Ni-Resist	20498-C	20498-C
2	Adapter	09657-A	09657-B
3	Gasket	20487	20487
4	Throttle Bushing	20523	20523
5	Flat Gasket	20532	20533
6	Cup Washer Spacer	20524	20524
*	Adapter Assy	22253	22254
**7	O-ring - Viton	23535	23535
	O-ring - Kalrez	23573	23573
8	Impeller	09680-E	09680-E

(*) Include Symbols 2, 3 & 4.

(**) NOTE: For temperatures below 400° F (204.4°C) use Viton O-ring.

For temperatures above 400° F (204.4°C) use Kalrez O-ring.

Only the parts used exclusively in "MJ" construction are listed. All other parts are common to pumps of standard construction and are listed on the appropriate repair parts list for each series.

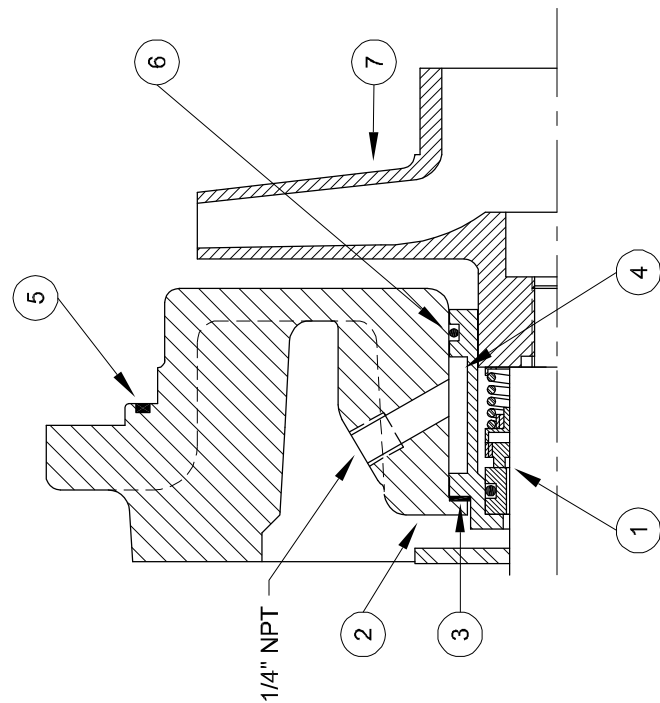
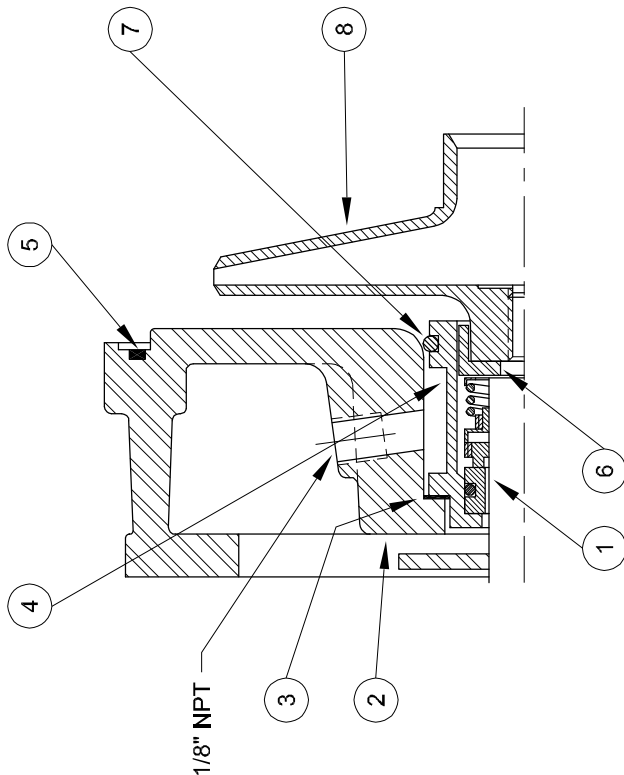
SYMBOL NUMBER	DESCRIPTION	PART NUMBER PUMP SERIES GNA6-1-1/2
1	Shaft Seal - Viton/Ni-Resist	20498-C
2	Adapter	20588-B
3	Gasket	20487
4	Throttle Bushing	20523
◆5	O-ring - Teflon	23002
	Flat Gasket	09916
**6	O-ring - Viton	23535
	O-ring - Kalrez	23573
7	Impeller	20975-E

(◆) Series G & GN pumps have been manufactured with either flat or O-ring type gaskets. Determine which type is required before ordering. When in doubt, order flat gasket.

(**) NOTE: For temperatures below 400° F (204.4°C) use Viton O-ring.

For temperatures above 400° F (204.4°C) use Kalrez O-ring.

*O-RING THROTTLE BUSHING STARTED AT SERIAL NUMBER 676320



High Temperature Pumps - Jacketed Seal

SYMBOL NUMBER	DESCRIPTION	PART NUMBER PUMP SERIES GA5-1
3	Adapter	22753
8	Shaft Seal - Viton/Ni-Resist	20498-C
9	O-ring - Teflon	22058
13	Cup Washer - Bronze Cup Washer - Steel	23491 23491-A

Only the parts used exclusively in "MJ" construction are listed. All other parts are common to pumps of standard construction and are listed on the appropriate repair parts list for each series.

SYMBOL NUMBER	DESCRIPTION	PUMP SERIES G6-1-1/2, 2 143-184JM	PUMP SERIES G6-2, 2-1/2 213-215JM	PUMP SERIES G7-2, G7A-2 182-184JM	PUMP SERIES G7-2, G7A-2 213-215JM
1	Shaft Seal - Viton/Ni-Resist	20500-C	20500-C	20500-C	20500-C
2	Adapter	09912-A	09920-A	20650-B	20419-A
3	Gasket	20527	20527	20527	20527
4	Throttle Bushing	20525	20525	20525	20525
5	Flat Gasket	09916	09916	20418	20418
6	Cup Washer Spacer & Shaft Sleeve Assy	22175	22175	22175	22175
7	O-ring - Teflon Flat Gasket	22085 09911	22085 09911	22085 09911	22085 09911
8	O-ring - Teflon Flat Gasket	22085 09933	22085 09933	22085 09933	22085 09933
9	O-ring - Teflon	0068365	0068365	0068365	0068365
** 10	O-ring - Viton O-ring - Kalrez	23536 23574	23536 23574	23536 23574	23536 23574
11	Impeller	(Use Standard Impeller Number with "E" Suffix)			
*	Adapter Assy	20668	22255	22256	22257

(*) Include Symbols 2, 3 & 4.

(**) NOTE: For temperatures below 400° F (204.4°C) use Viton O-ring.
For temperatures above 400° F (204.4°C) use Kalrez O-ring.

(*) Series G & GN pumps have been manufactured with either flat or O-ring type gaskets. Determine which type is required before ordering. When in doubt, order flat gasket.

