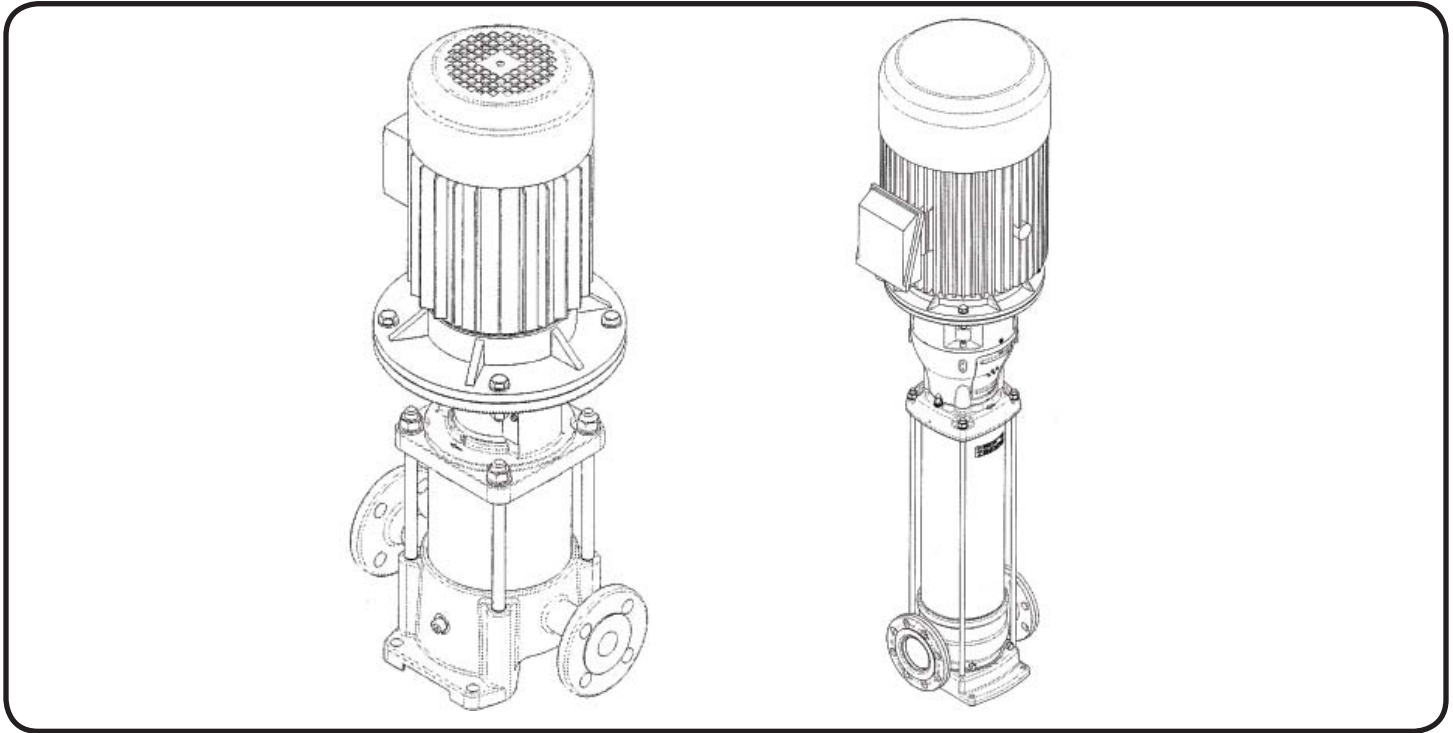
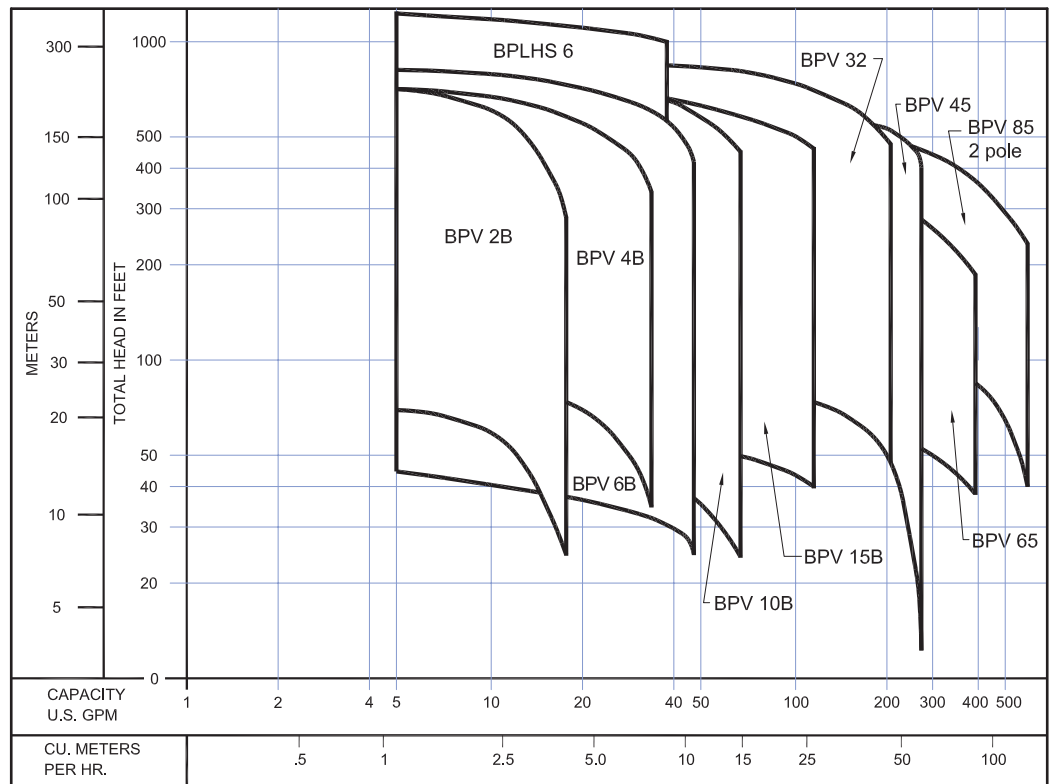


## Vertical Multi-Stage Pumps



### Vertical Multi-Stage Family Curve, 3500 RPM - 60Hz.



## Vertical Multi-Stage Pumps

The Burks BPV Series is made up of pumps with all wetted parts made of stainless steel. For normal water the BPV Series (stainless steel AISI 304) is sufficient. For water containing more aggressive elements the BPVS Series (stainless steel AISI 316) should be utilized.

### Applications:

- Booster systems
- Boiler feed
- Water treatment
- Irrigation
- Sprinkler installations
- Carwash
- Fire fighting
- Cooling water transport
- Marine applications
- Chemical industry
- Processing industry
- Food processing industry

### Advantages:

- Top bracket in one place for maximum stability
- Shroud construction ensures total compensation for thermal expansion
- Flat faces on shaft for stronger and durable shaft/impeller construction
- Minimized number of parts for easy construction
- Suction/discharge casing in-line connection

### Options

- High-thrust bearing housing for mounting standard motors
- ANSI connections
- NEMA motor connections
- Terminal box position

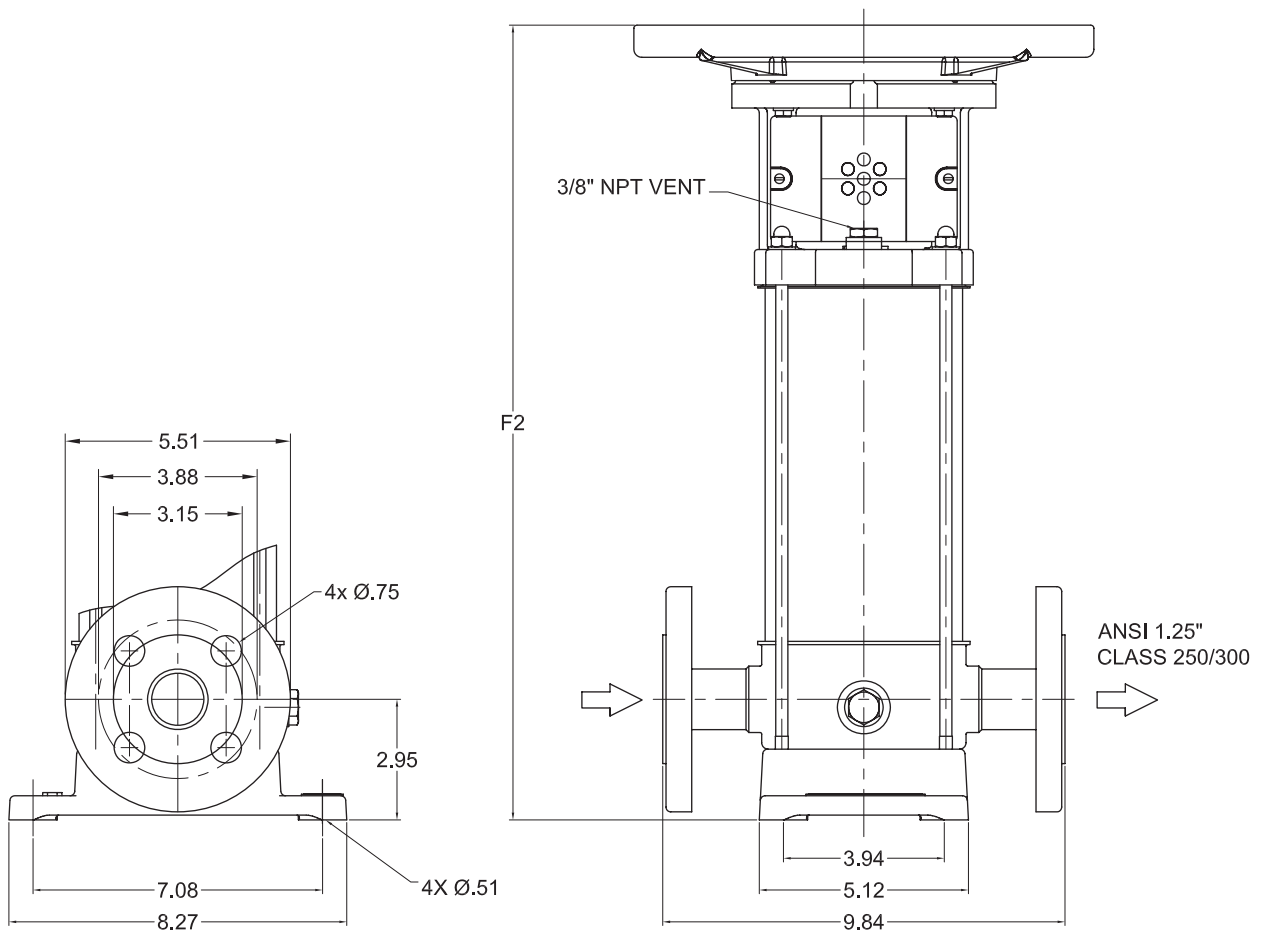
Overload Protection: All motors must be installed with magnetic starter which provides full overload protection on all legs. Failure to use correct starter and overloads will void motor warranty.

Technical Specifications	
Maximum pressure	820 ft
Maximum capacity	396 GPM
Connections	Round, oval, victaulic
Pumped medium	Clean, watery liquids
Maximum liquid temperature	-15 up to 120 °C (5 up to 248 °F)

Materials of Construction	
BPVF	304S.S. with SIC/Carbon/EPDM Seal
BPVSF	316S.S. with SIC/Carbon/Viton Seal
BPVCF	CI Base 304S.S. with TC/Carbon/EPDM Seal

SIC - Silicon Carbide  
TC - Tungsten Carbide

### Vertical Multi-Stage Pumps



BPVF, BPVSF, BPVCF 2B - General				BPVF, BPVSF	BPVCF
Model	HP	Frame Size	F2 (inches)	Net Weight (lbs)	Net Weight (lbs)
2-20B	0.5	56C	12.01	26	32
2-30B	0.5	56C	12.83	26	33
2-40B	0.75	56C	13.70	27	34
2-50B	1	56C	14.53	29	35
2-60B	1	56C	15.39	29	36
2-70B	1.5	143TC	16.22	30	37
2-80B	1.5	143TC	17.09	31	38
2-90B	1.5	143TC	17.91	32	39
2-100B	2	145TC	18.78	33	40
2-110B	2	145TC	19.61	34	40
2-120B	2	145TC	20.47	35	42
2-140B	3	184TC	23.03	37	44
2-160B	3	184TC	24.72	39	45
2-180B	3	184TC	26.42	41	47
2-200B	5	184TC	28.11	47	53
2-220B	5	184TC	29.80	49	55

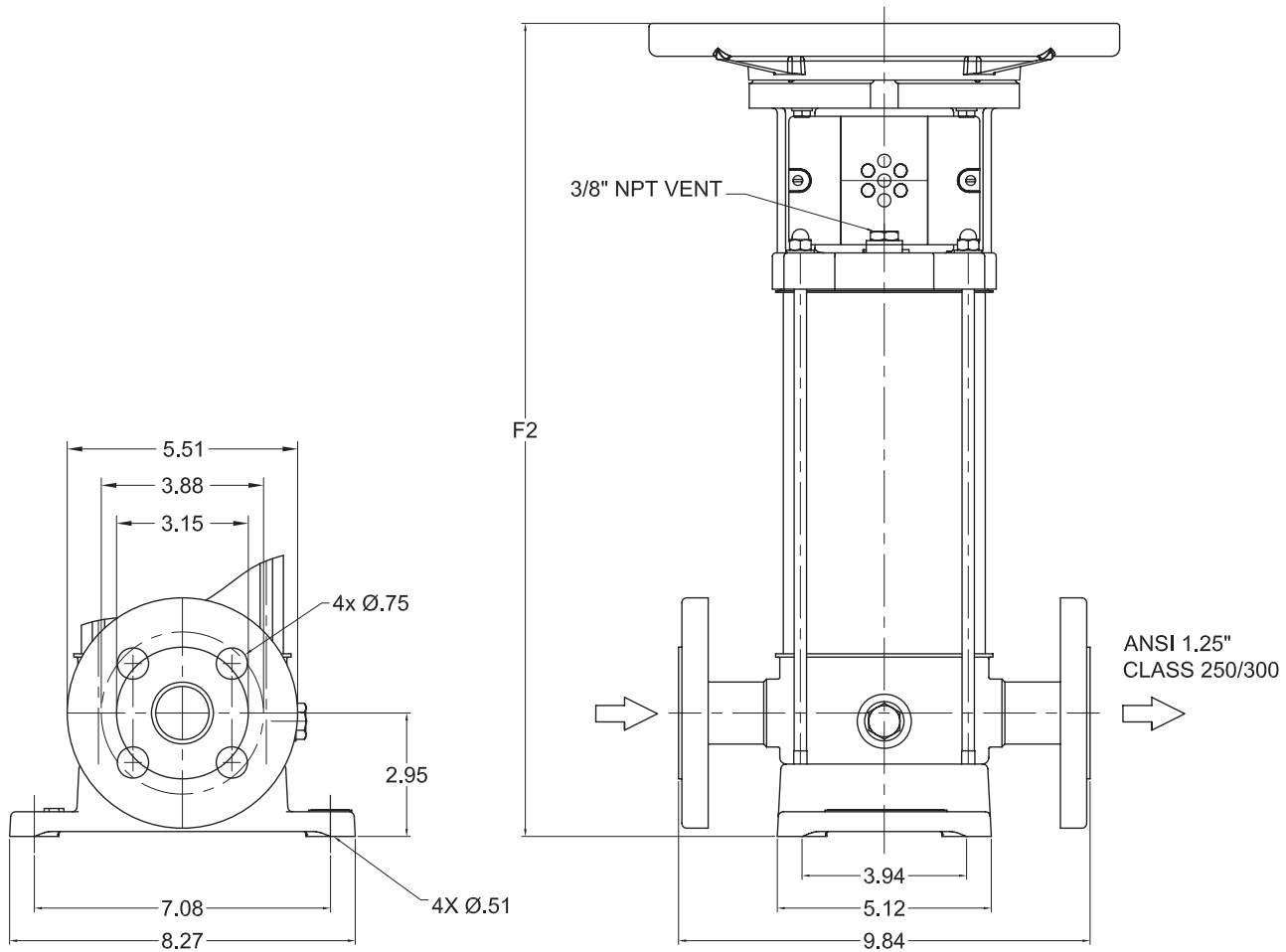
# Series: BPV 4B

Dimensions & Weights

Pump Only



## Vertical Multi-Stage Pumps



BPVF, BPVSF, BPVCF 4B - General				BPVF, BPVSF	BPVCF
Model	HP	Frame Size	F2 (inches)	Net Weight (lbs)	Net Weight (lbs)
4-20B	0.75	56C	12.01	26	32
4-30B	1	56C	12.83	26	33
4-40B	1.5	143TC	13.70	28	34
4-50B	2	145TC	14.53	29	35
4-60B	2	145TC	15.39	30	36
4-70B	3	184TC	17.09	31	37
4-80B	3	184TC	17.95	32	38
4-90B	5	184TC	18.78	36	42
4-100B	5	184TC	19.65	37	43
4-110B	5	184TC	20.47	38	44
4-120B	5	184TC	21.34	39	45
4-140B	5	184TC	23.03	41	47
4-160B	7.5	213TC	24.72	73	80
4-180B	7.5	213TC	26.42	75	81

SECTION BPV  
PAGE 4  
DATE 5/11

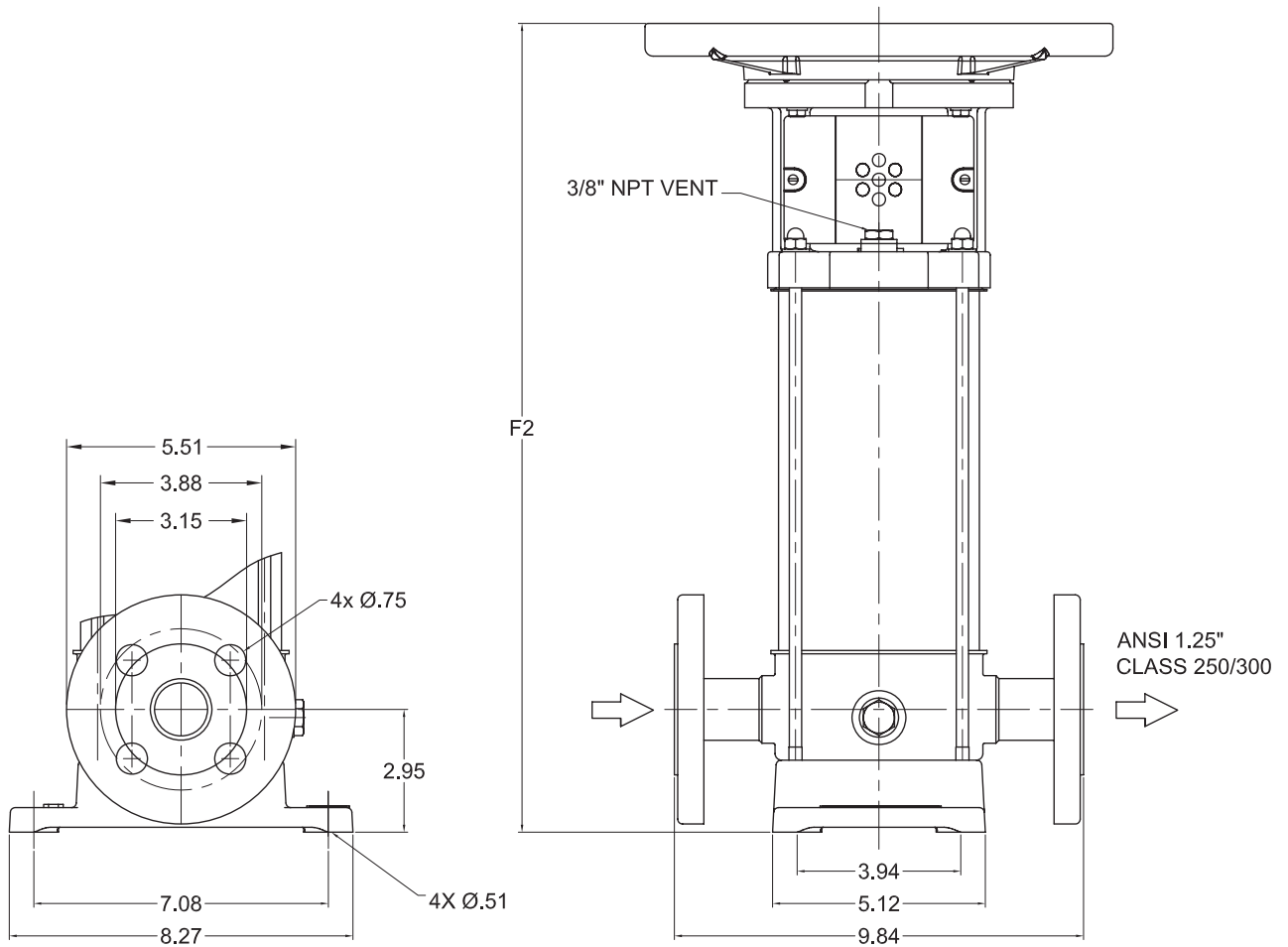


A Crane Co. Company

## PUMPS & SYSTEMS

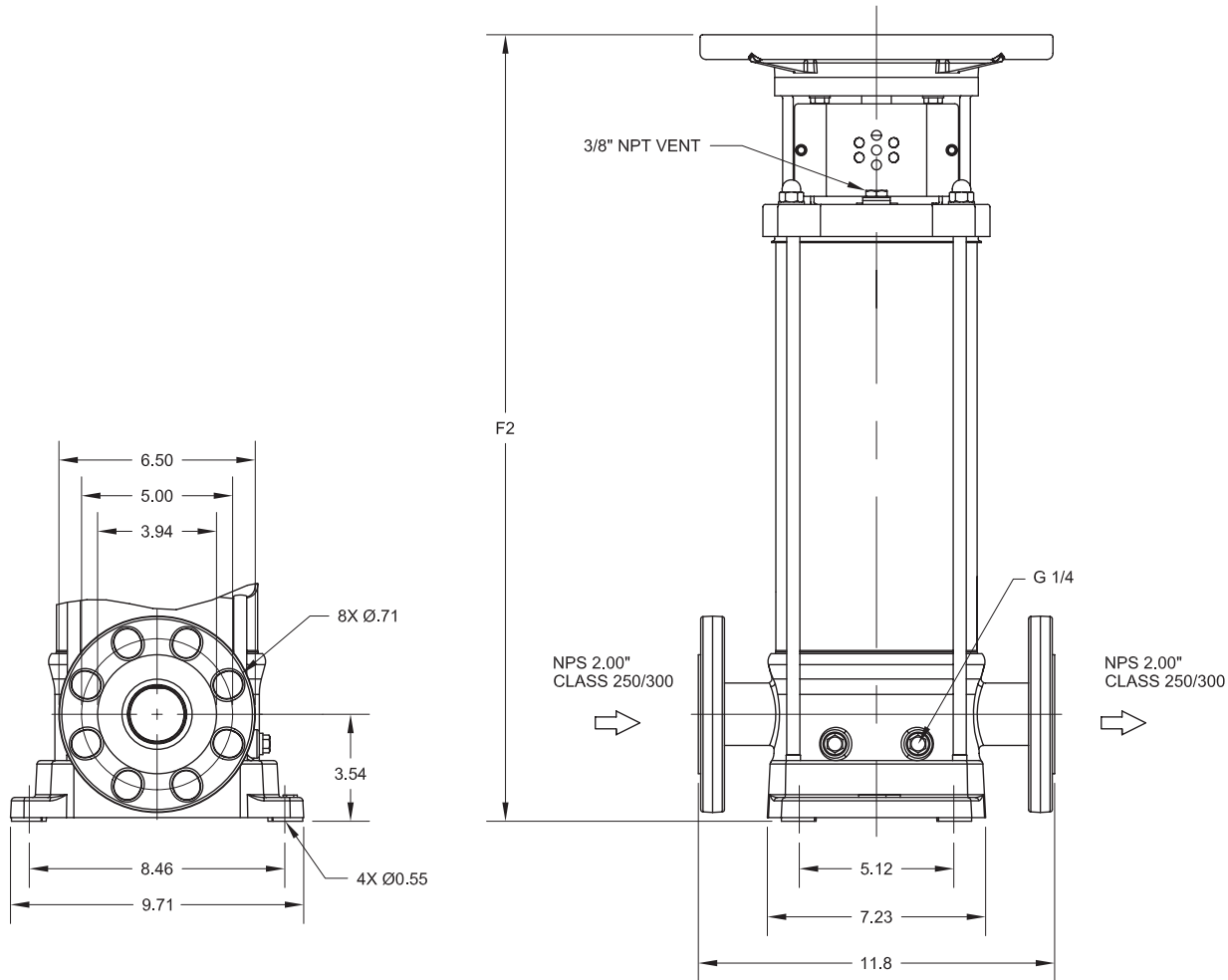
USA: (937) 778-8947 • Canada: (905) 457-6223 • International: (937) 615-3598

## Vertical Multi-Stage Pumps



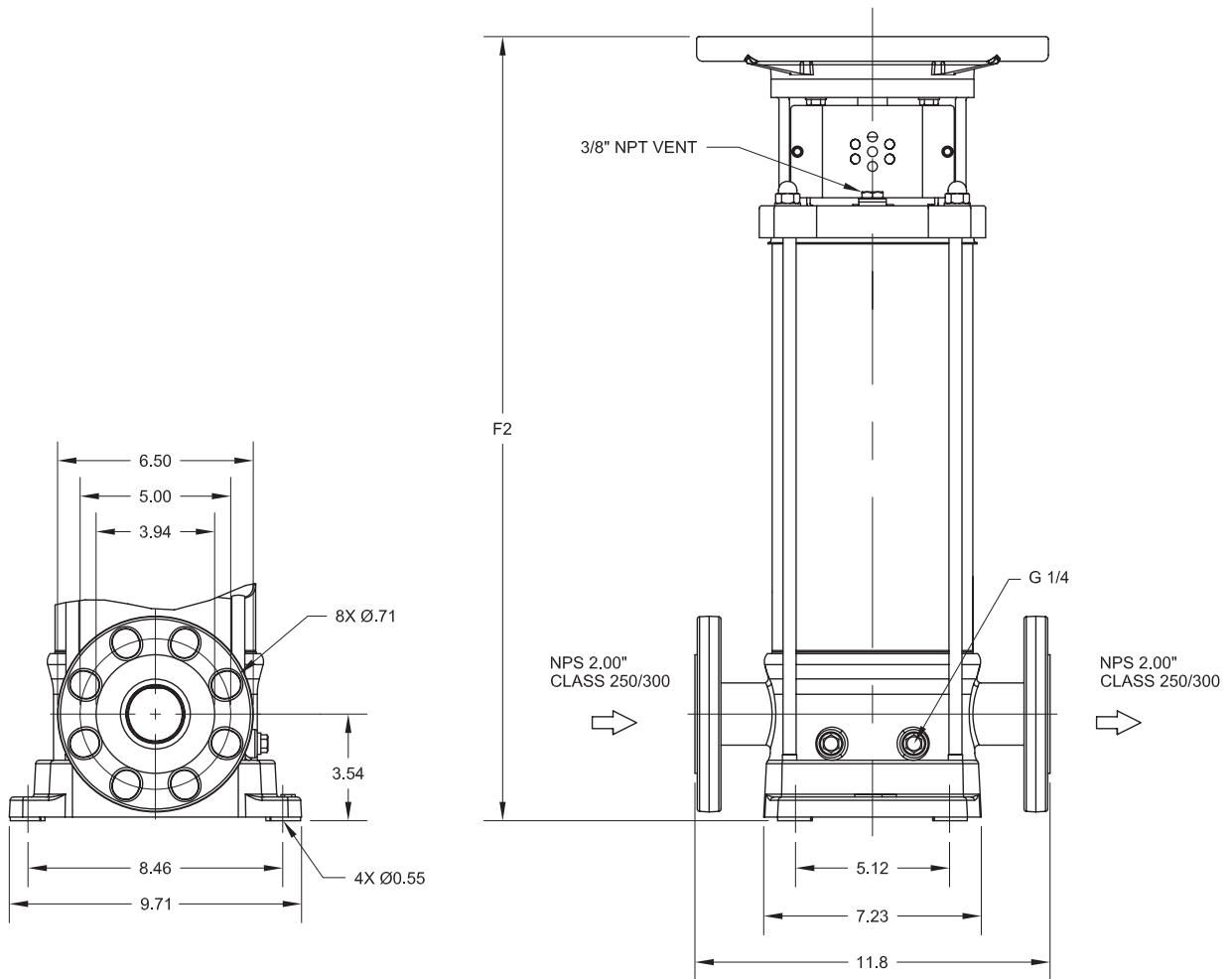
BPVF, BPVSF, BPVCF 6 - General				BPVF, BPVSF	BPVCF
Model	HP	Frame Size	F2 (inches)	Net Weight (lbs)	Net Weight (lbs)
6-10B	0.5	56C	12.28	27	33
6-20B	1	56C	12.28	28	33
6-30B	1.5	143TC	13.27	29	35
6-40B	2	145TC	14.25	30	36
6-50B	3	184TC	16.10	31	37
6-60B	3	184TC	17.09	32	38
6-70B	5	184TC	18.07	36	42
6-80B	5	184TC	19.06	38	44
6-90B	5	184TC	20.04	39	45
6-100B	7.5	213TC	21.02	40	46
6-110B	7.5	213TC	22.01	41	47
6-120B	7.5	213TC	22.99	73	79
6-140B	7.5	213TC	24.96	75	81
6-160B	10	215TC	29.61	78	83
6-180B	10	215TC	31.57	86	92

**Vertical Multi-Stage Pumps**



BPVF, BPVSF, BPVCF 10B - General				BPVF, BPVSF	BPVCF
Model	HP	Frame Size	F2 (inches)	Net Weight (lbs)	Net Weight (lbs)
10-10B	1	56C	13.54	54	60
10-20B	2	145TC	13.54	55	61
10-30B	3	184TC	15.45	63	68
10-40B	5	184TC	16.60	65	70
10-50B	5	184TC	17.54	68	73
10-60B	5	184TC	18.58	70	75
10-70B	7.5	213TC	19.63	100	106
10-80B	7.5	213TC	20.67	106	111
10-90B	10	215TC	21.71	112	118
10-100B	10	215TC	25.43	115	120
10-110B	10	215TC	26.48	117	122
10-130B	15	254TC	28.56	146	151
10-150B	15	254TC	30.65	150	156

## Vertical Multi-Stage Pumps



BPVF, BPVSF, BPVCF 15 - General				BPVF, BPVSF	BPVCF
Model	HP	Frame Size	F2 (inches)	Net Weight (lbs)	Net Weight (lbs)
15-10B	3	184TC	13.94	59	64
15-20B	5	184TC	14.80	61	67
15-30B	7.5	213TC	15.85	93	98
15-40B	10	215TC	19.57	99	104
15-50B	10	215TC	20.61	101	106
15-60B	15	254TC	21.65	125	130
15-70B	15	254TC	22.70	127	132
15-80B	20	256TC	24.37	132	138
15-90B	20	256TC	25.41	136	141
15-100B	20	256TC	26.46	138	143
15-110B	25	284TSC	27.50	150	156

# Series: BPV 32

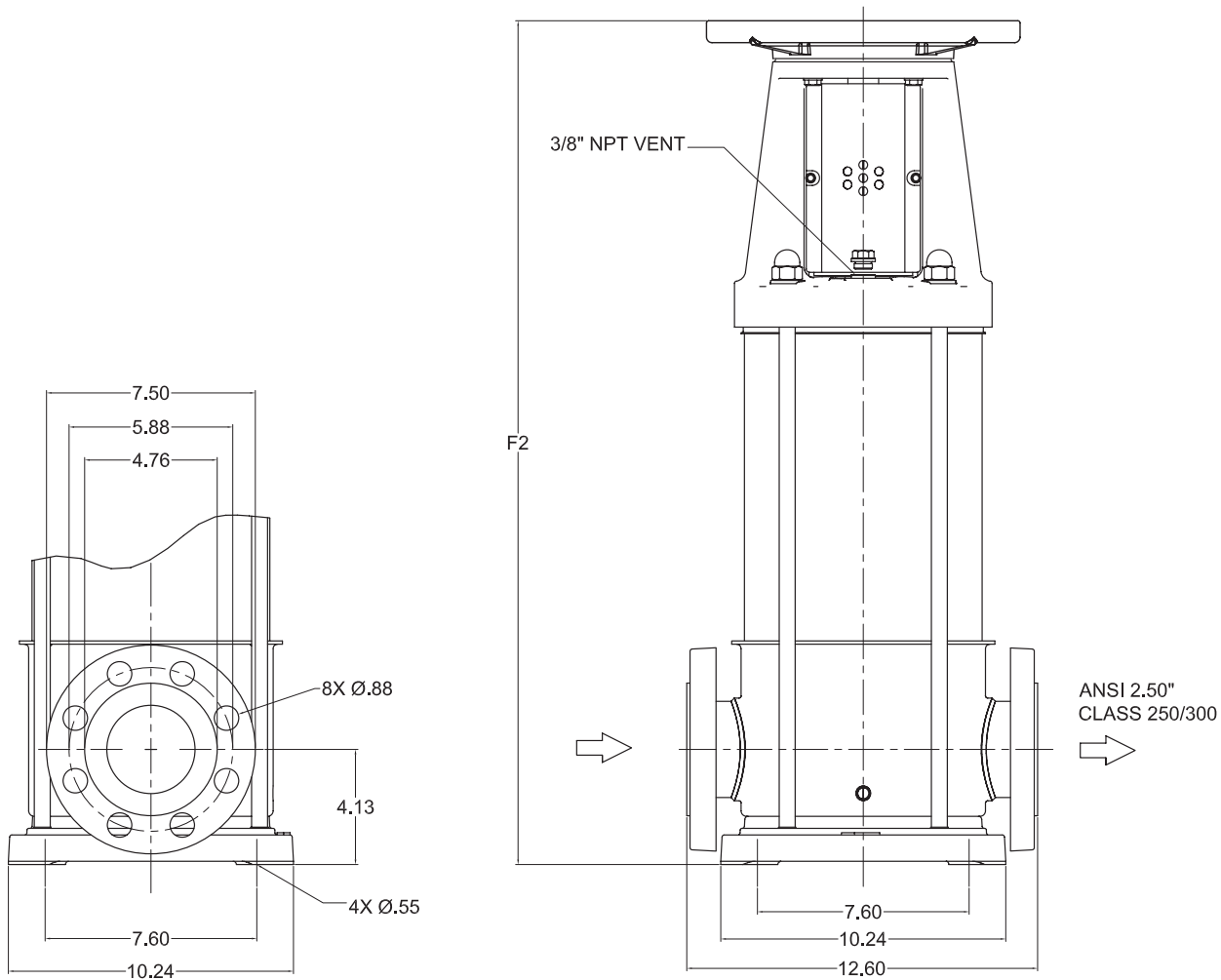
Dimensions & Weights

Pump Only



www.cranepumps.com

## Vertical Multi-Stage Pumps



BPVF, BPVSF 32 - General				
Model	HP	Frame Size	F2 (inches)	Net Weight (lbs)
32-10	5	184TC	18.74	106
32-20	10	215TC	23.96	120
32-30	15	254TC	25.87	126
32-40	20	256TC	28.41	135
32-50	20	256TC	30.31	141
32-60	25	284TSC	31.48	149
32-70	30	286TSC	33.39	154
32-80	40	324TSC	35.77	176
32-90	40	324TSC	37.68	182

SECTION BPV  
PAGE 8  
DATE 2/11

**CRANE**<sup>®</sup>

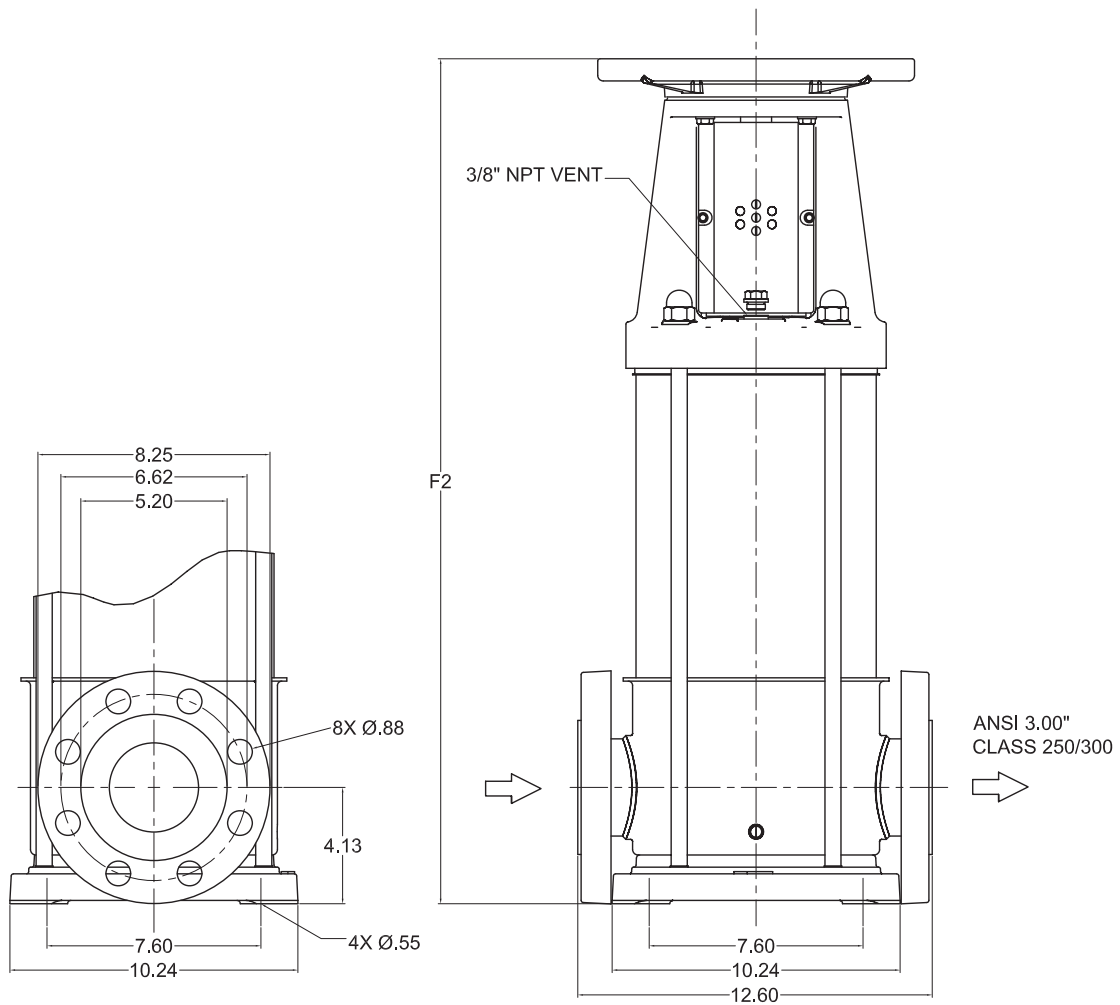
A Crane Co. Company

PUMPS & SYSTEMS

USA: (937) 778-8947 • Canada: (905) 457-6223 • International: (937) 615-3598



## Vertical Multi-Stage Pumps



BPVF, BPVSF 45 - General				
Model	HP	Frame Size	F2 (inches)	Net Weight (lbs)
45-10	10	215TC	22.05	120
45-20	20	256TC	24.59	130
45-30	25	284TSC	25.75	137
45-40	30	286TSC	27.66	143
45-50	40	324TSC	30.04	165
45-60	50	326TSC	31.95	171

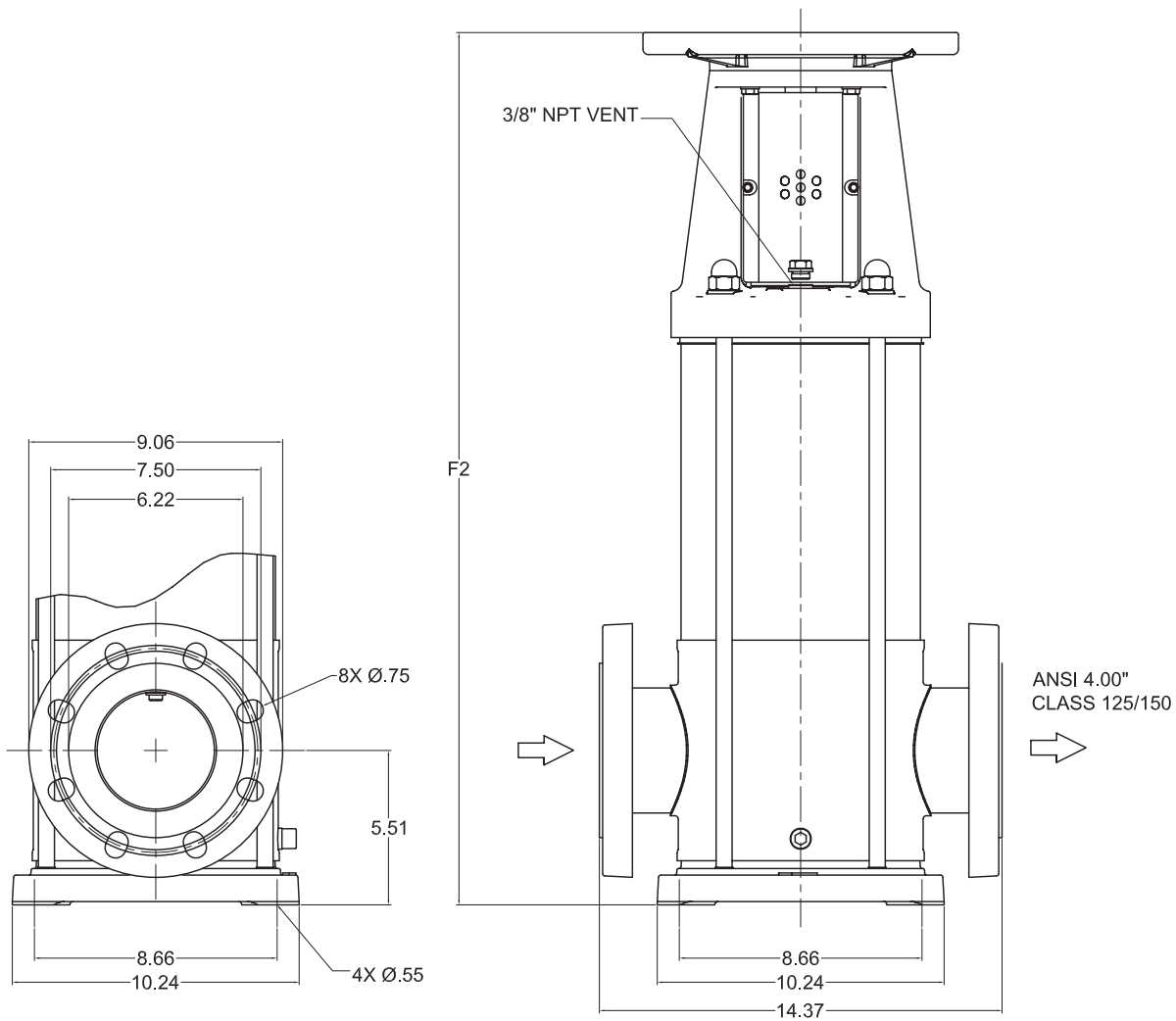
# Series: BPV 65

Dimensions & Weights

Pump Only



## Vertical Multi-Stage Pumps



BPVF, BPVSF 65 - General				
Model	HP	Frame Size	F2 (inches)	Net Weight (lbs)
65-10	7.5	213TC	23.15	126
65-20	15	254TC	27.01	134
65-30	20	256TC	31.14	146
65-40	25	284TSC	33.90	157
65-50	30	286TSC	37.40	165

SECTION BPV  
PAGE 10  
DATE 2/11

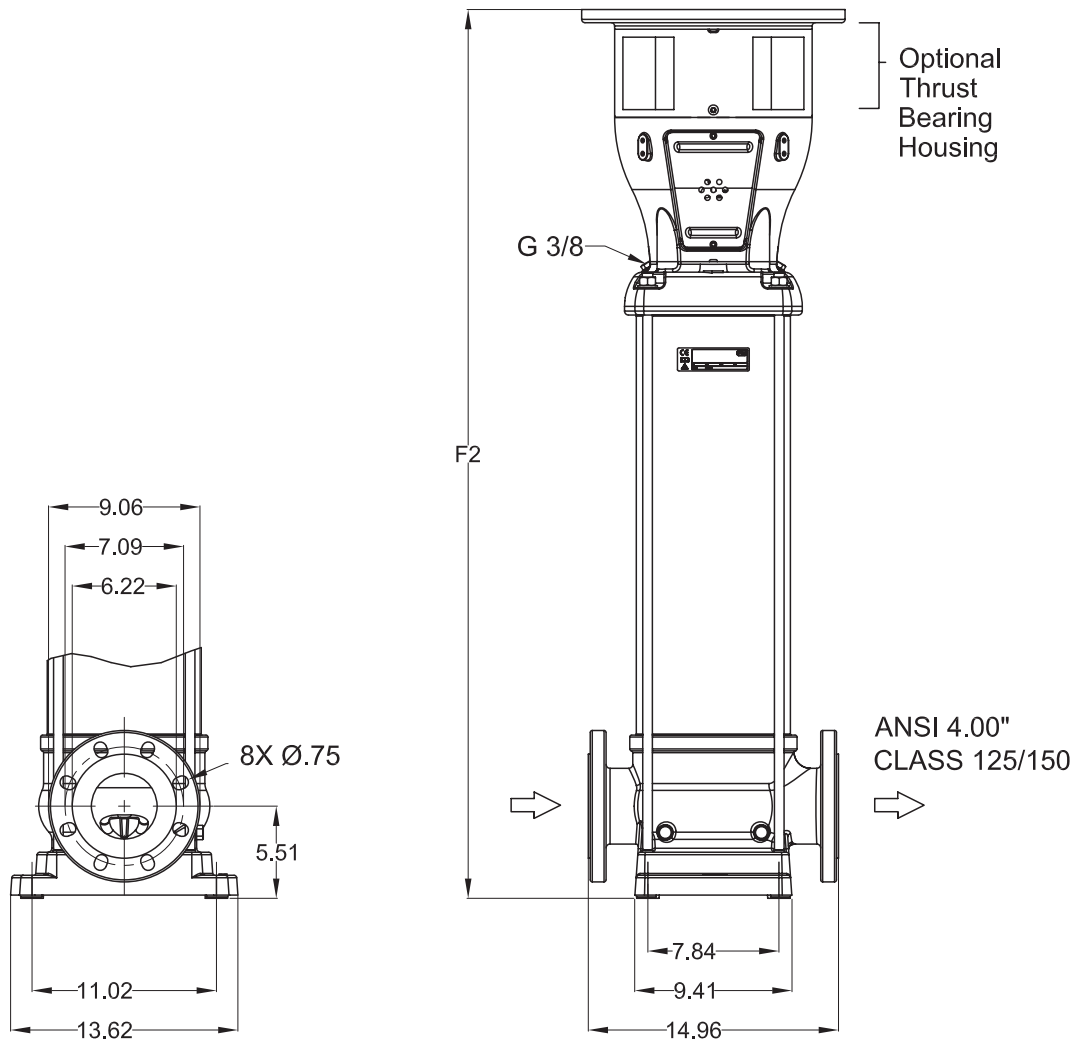


A Crane Co. Company

PUMPS & SYSTEMS

USA: (937) 778-8947 • Canada: (905) 457-6223 • International: (937) 615-3598

## Vertical Multi-Stage Pumps



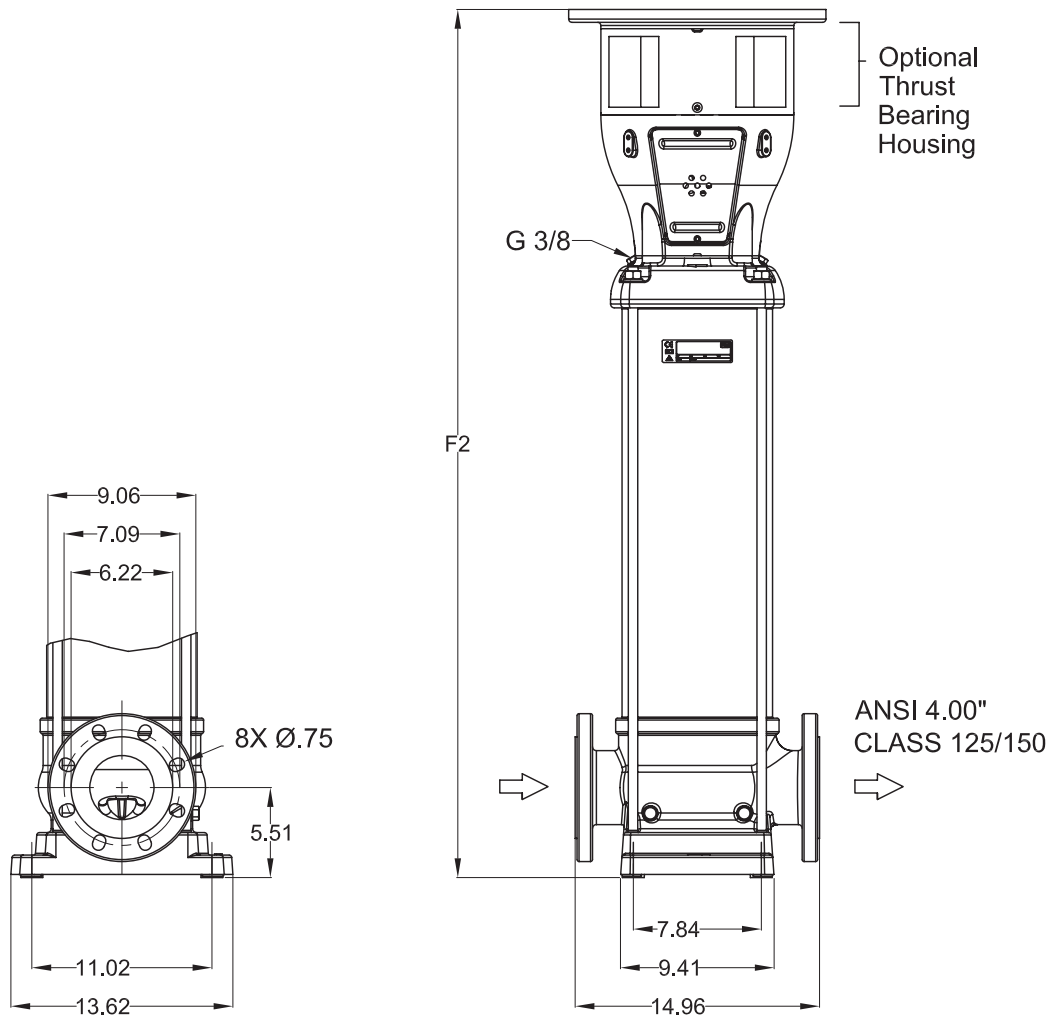
BPVF, BPVSF 85 - General				
Model	HP	Frame Size	F2 (inches)	Net Weight (lbs)
85-10	20	256TC	25.24	264
85-20	40	324TSC	30.71	484
85-30	60	364TSC	35.00	619

# Series: BPV 85, 60Hz

4 pole without motor, 1750 RPM

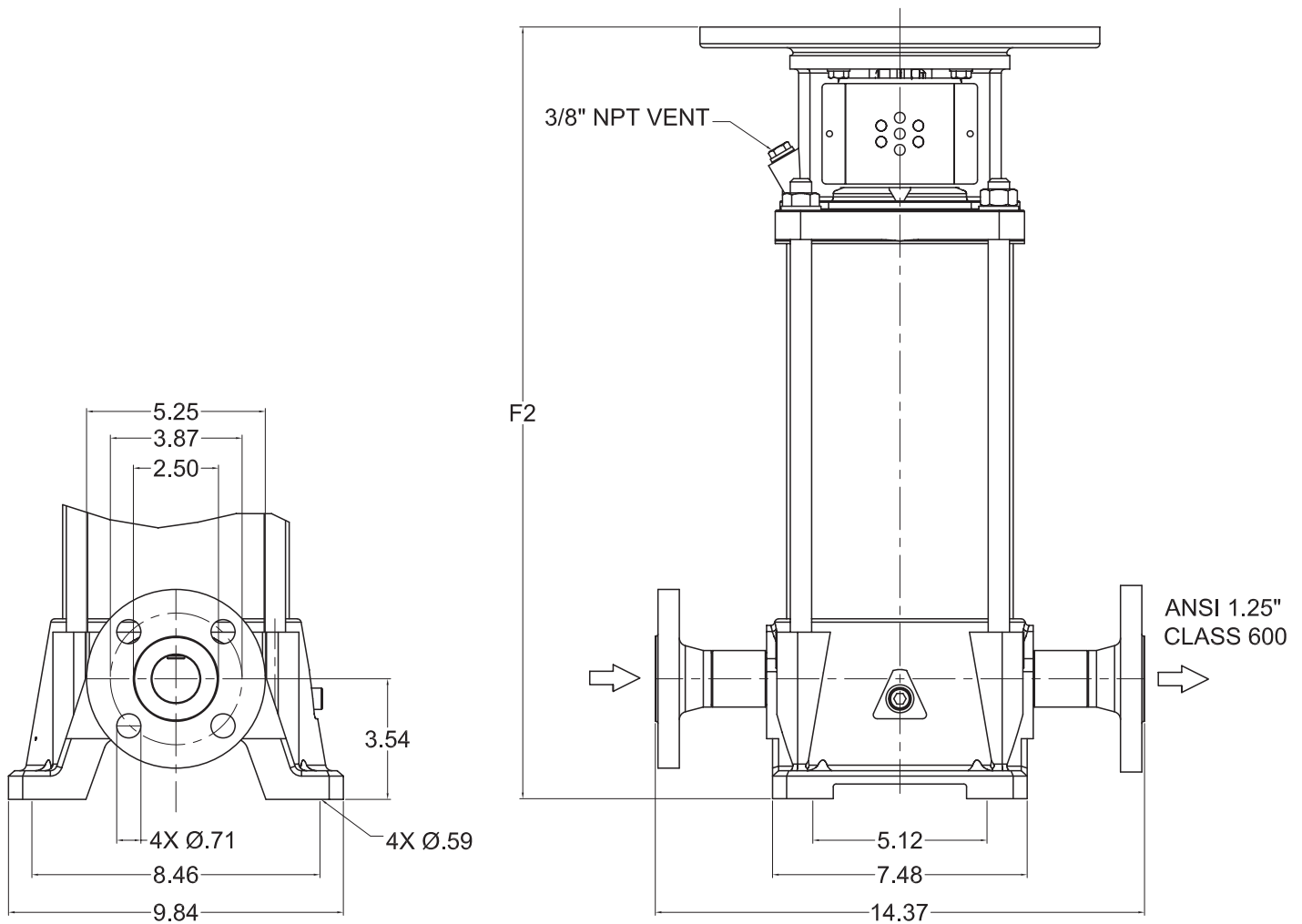
Dimensions & Weights, Pump Only

## Vertical Multi-Stage Pumps



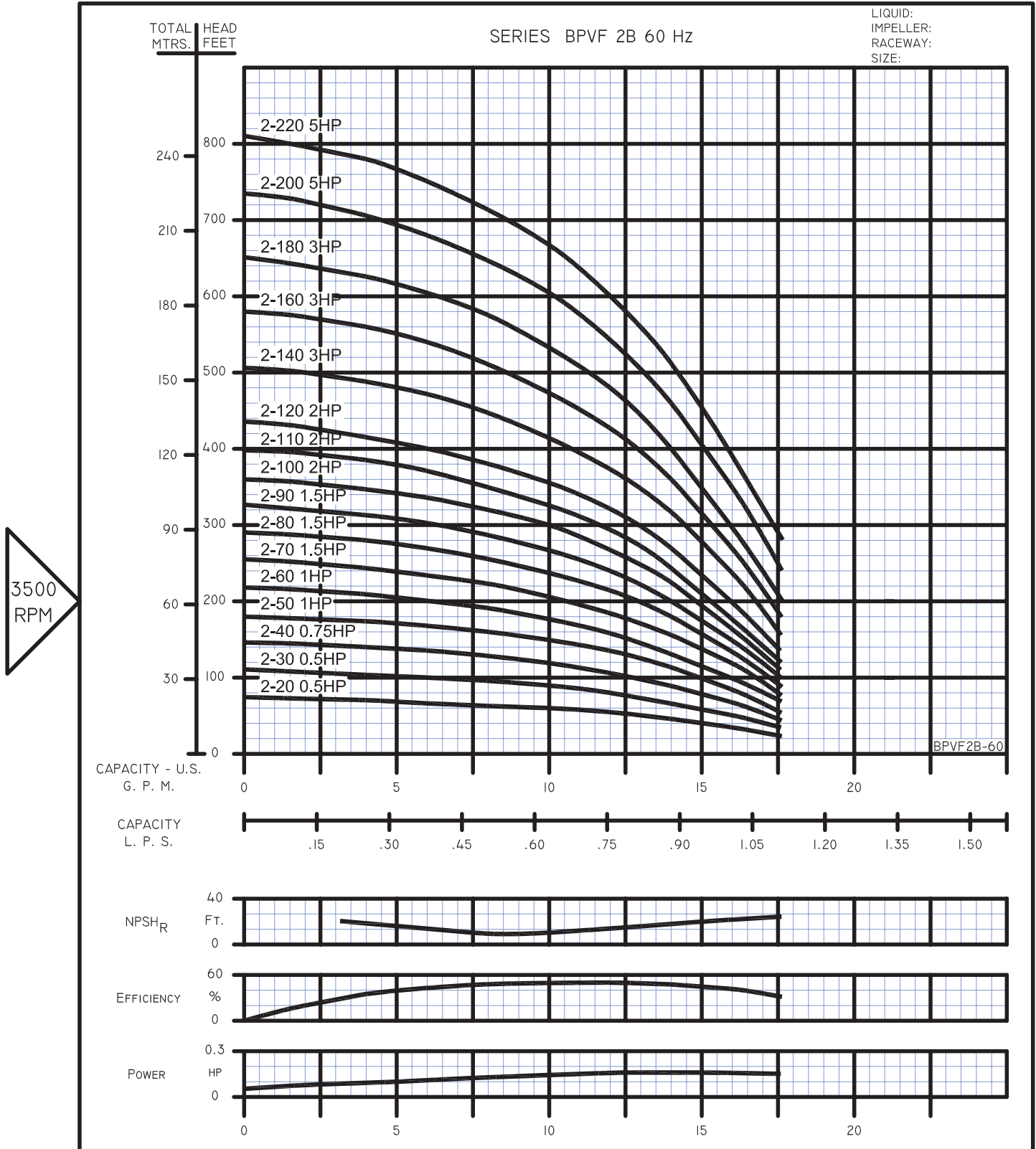
BPVF, BPVSF 85 - General				
Model	HP	Frame Size	F2 (inches)	Net Weight (lbs)
85-30	7.5	213TC	35.00	619

## Vertical Multi-Stage Pumps

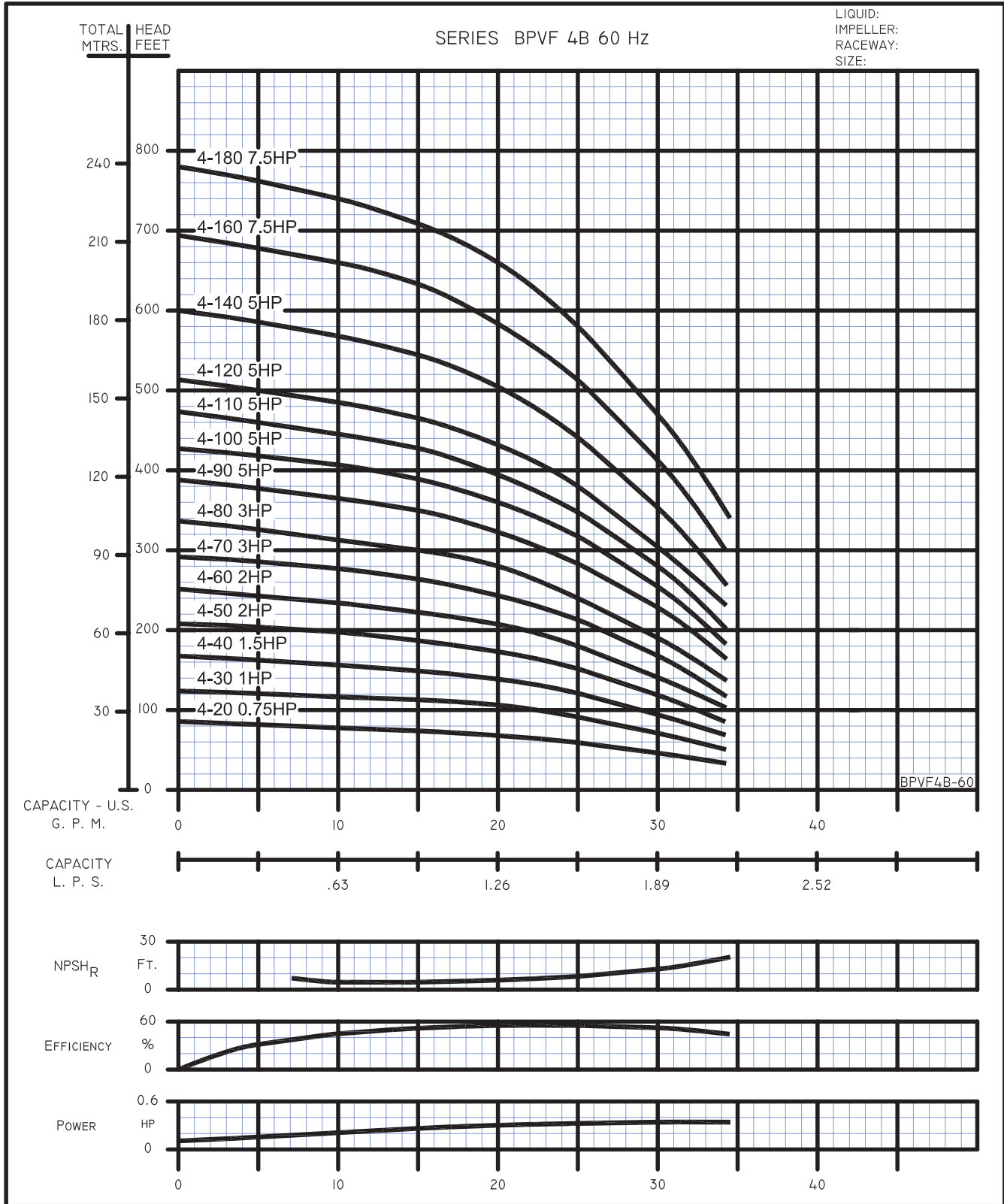


BPVLHS 6	General			
Model	HP	Frame Size	F2 (inches)	Net Weight (lbs)
6-80	10	215TC	21.50	109
6-100	15	254TC	22.68	123
6-120	15	254TC	23.86	136
6-140	20	256TC	25.67	153

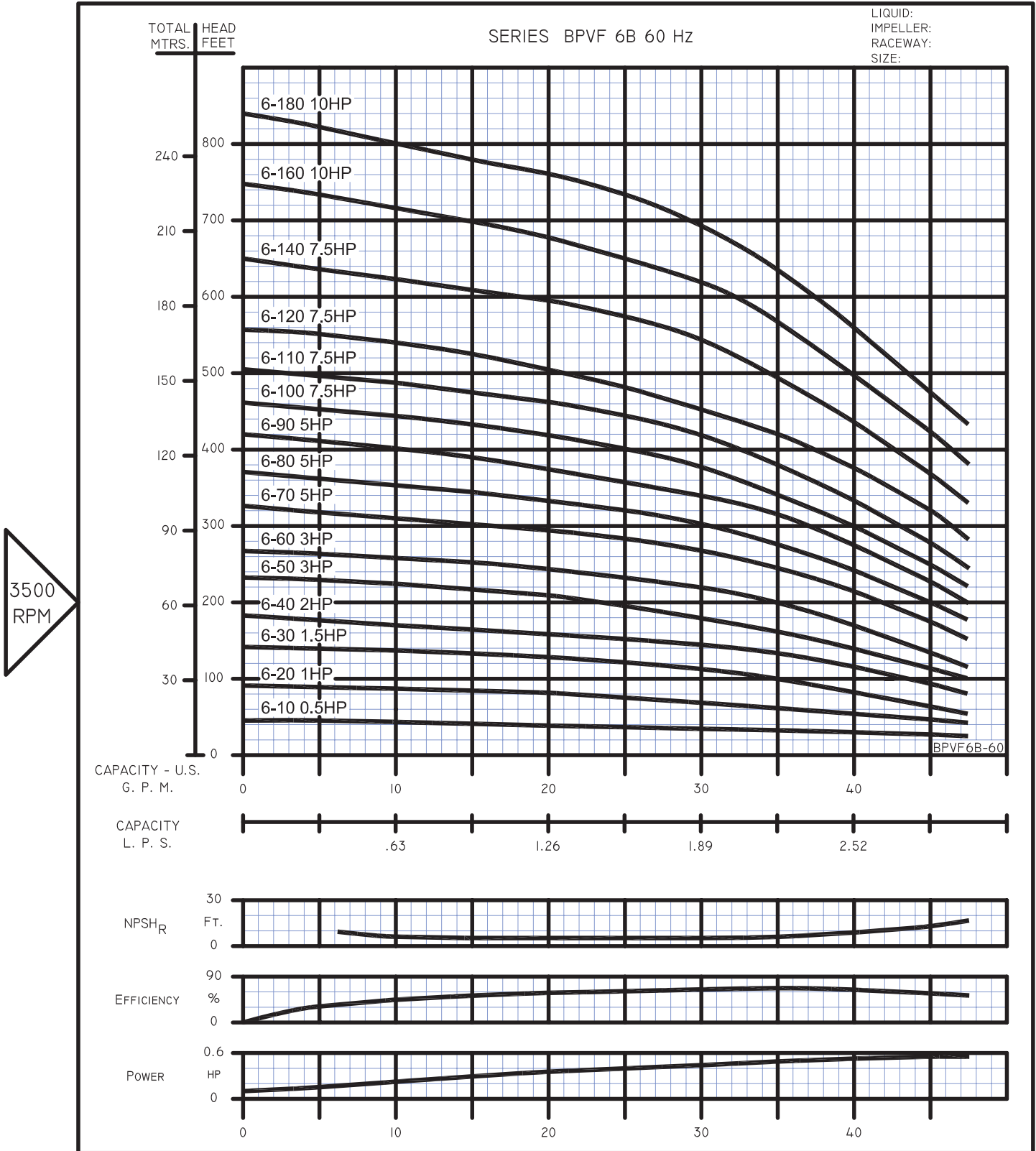
**Vertical Multi-Stage Pumps**



## Vertical Multi-Stage Pumps

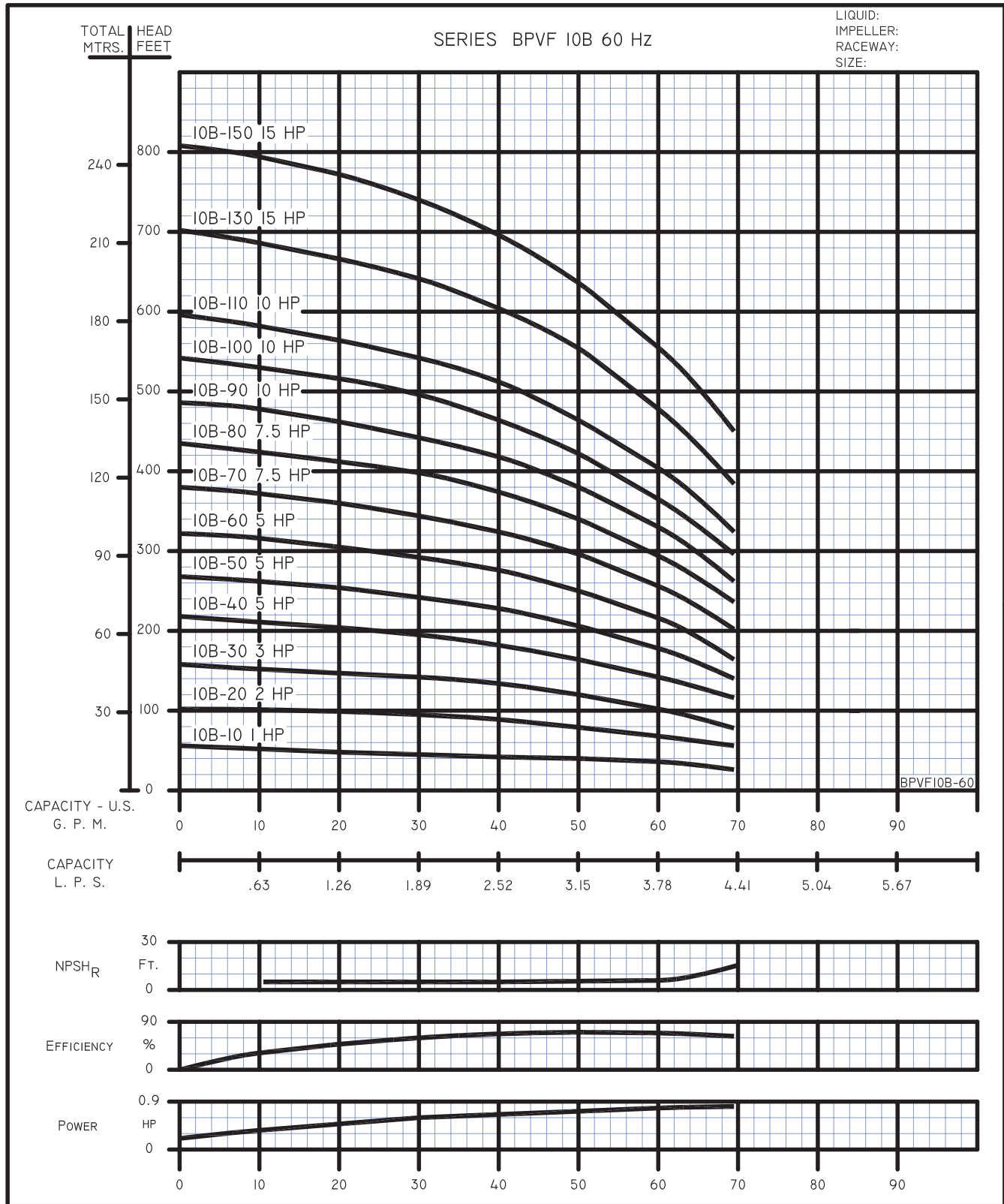


**Vertical Multi-Stage Pumps**

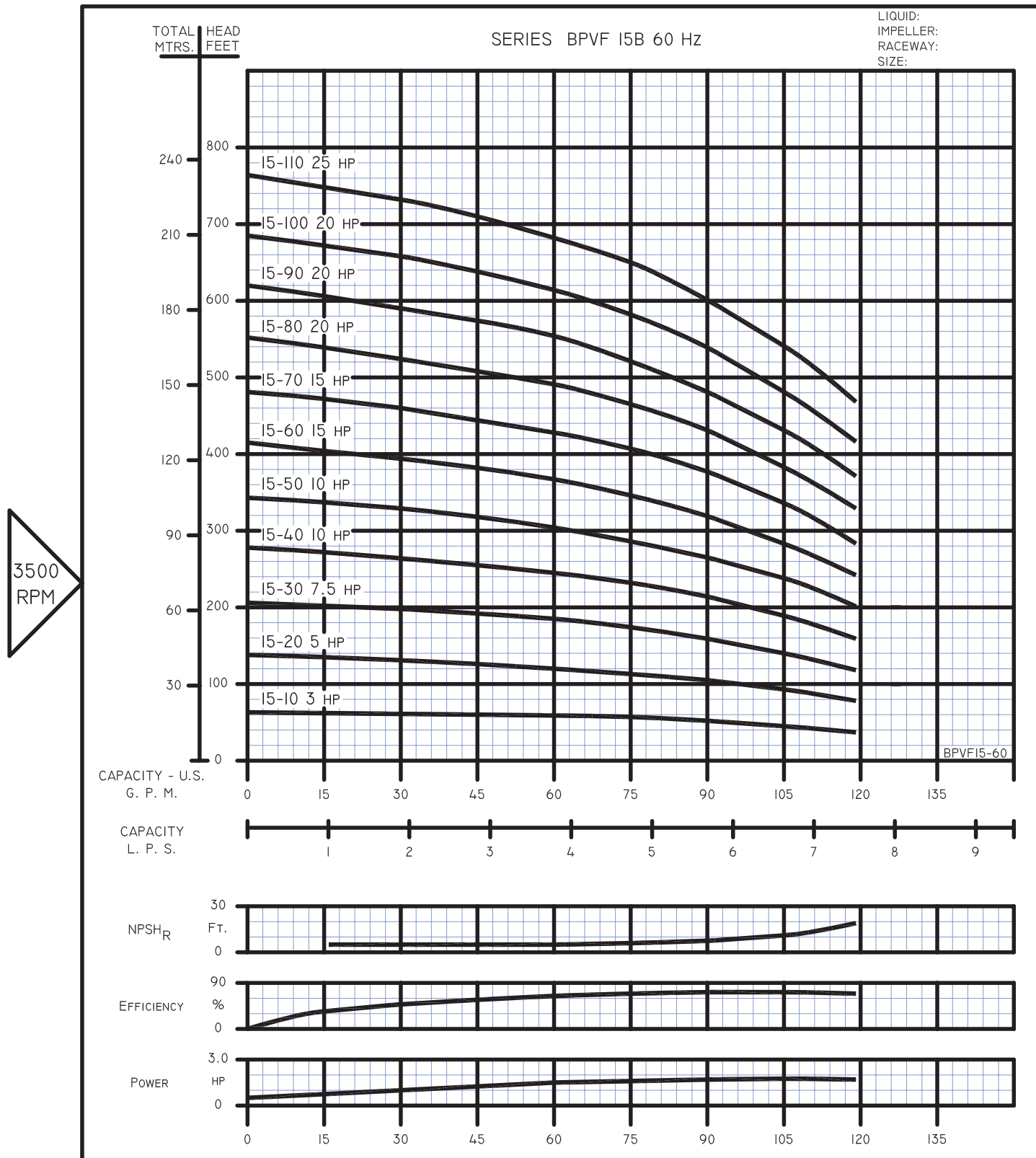




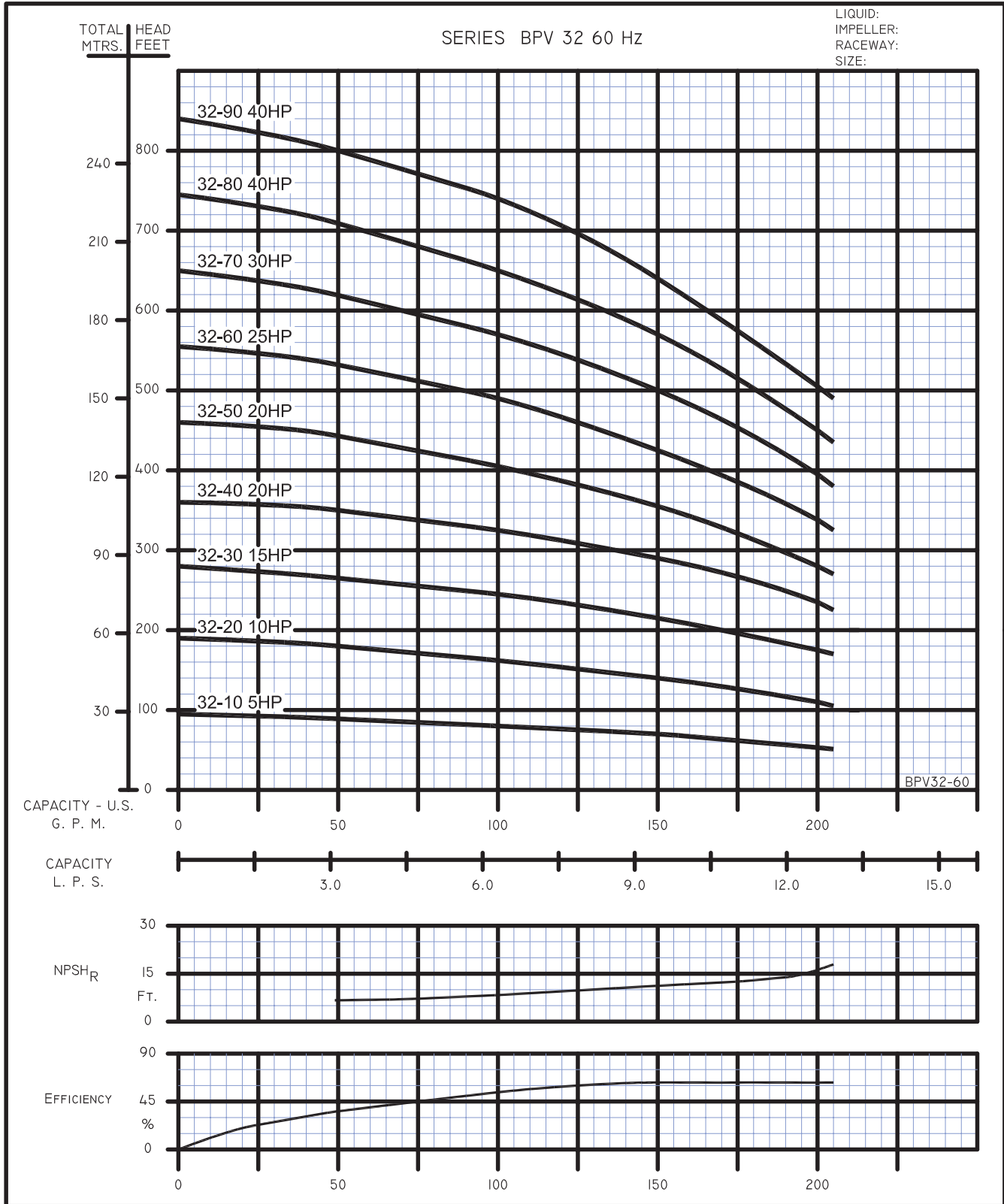
## Vertical Multi-Stage Pumps



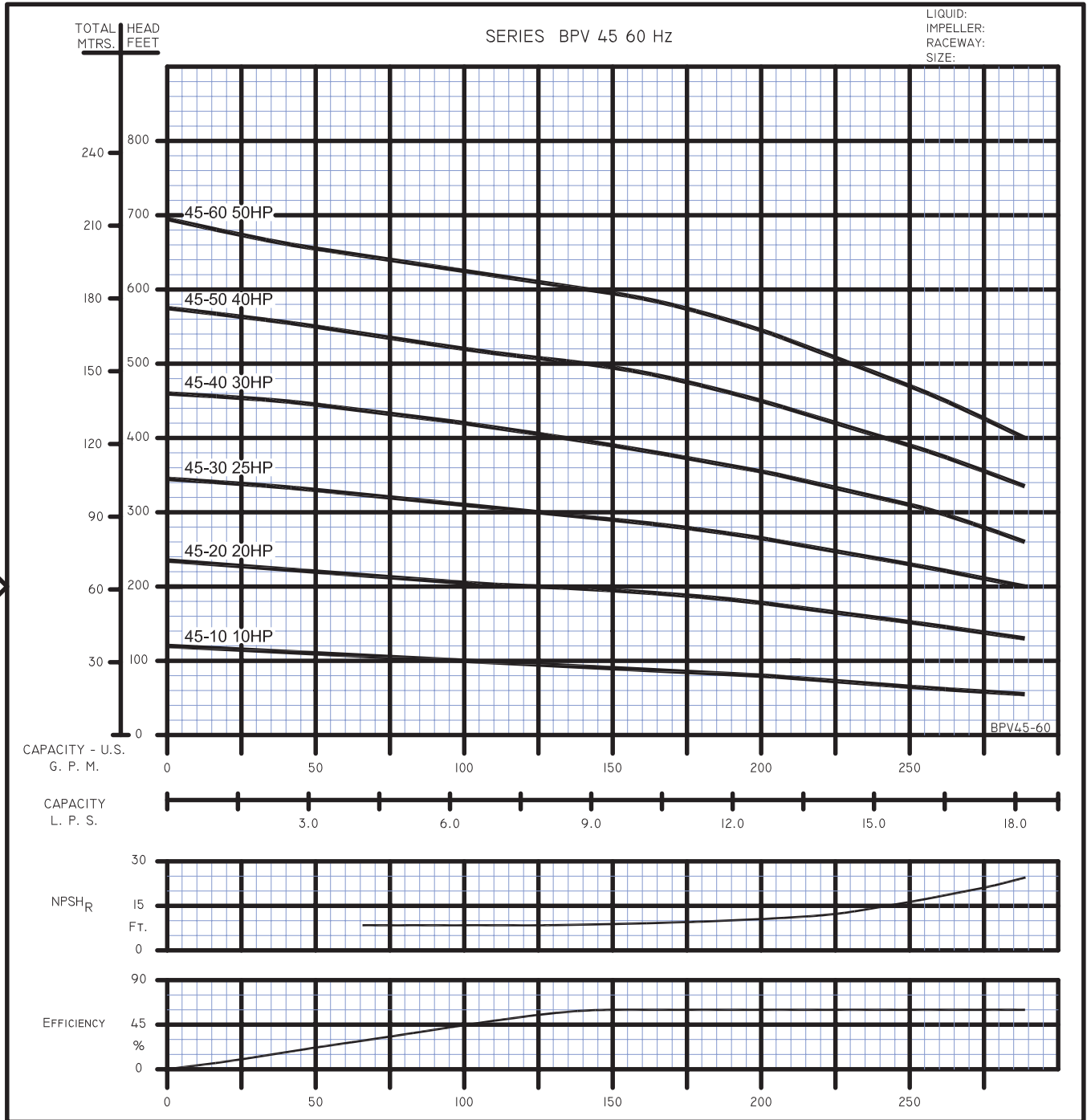
Vertical Multi-Stage Pumps



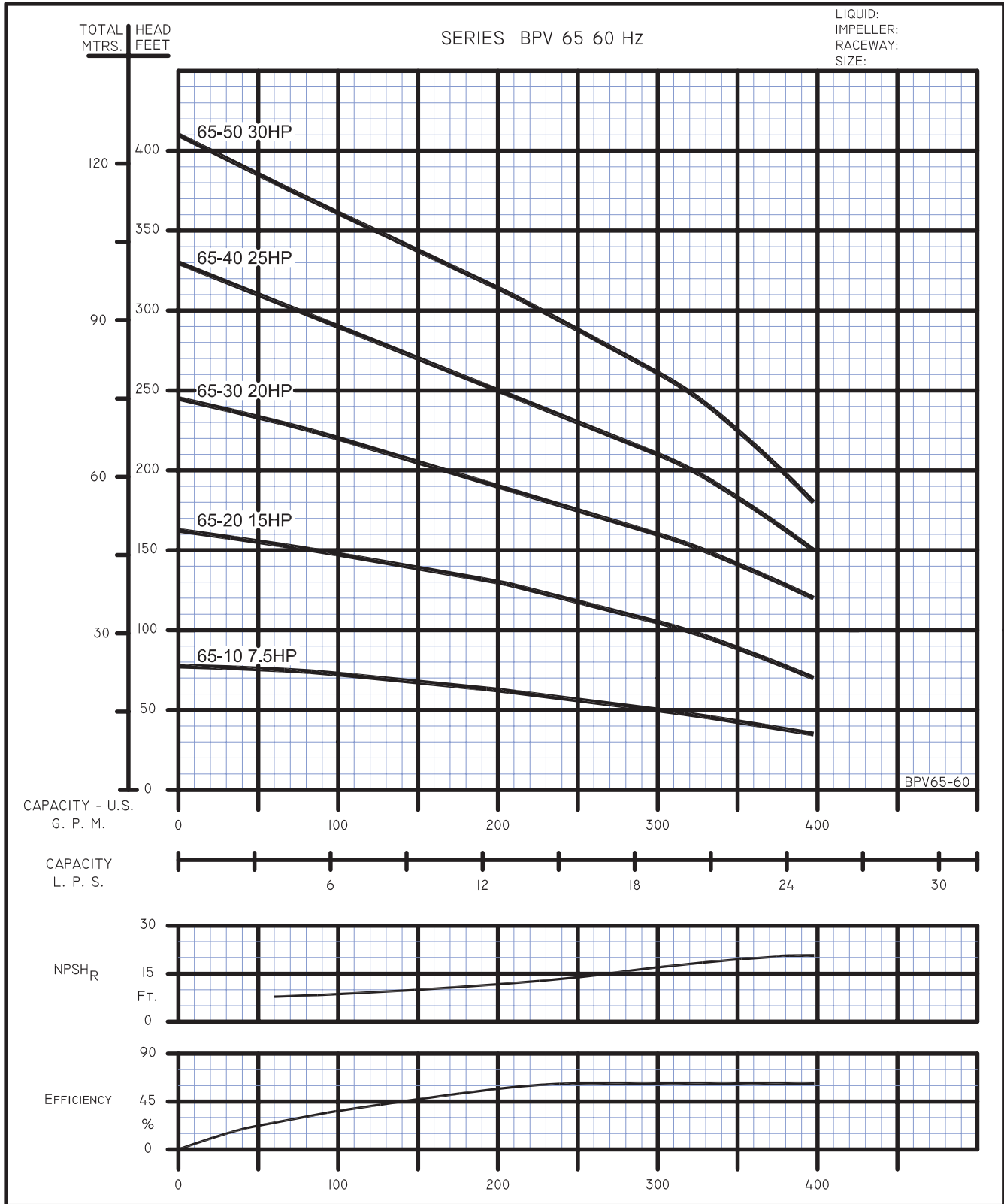
## Vertical Multi-Stage Pumps



### Vertical Multi-Stage Pumps



## Vertical Multi-Stage Pumps

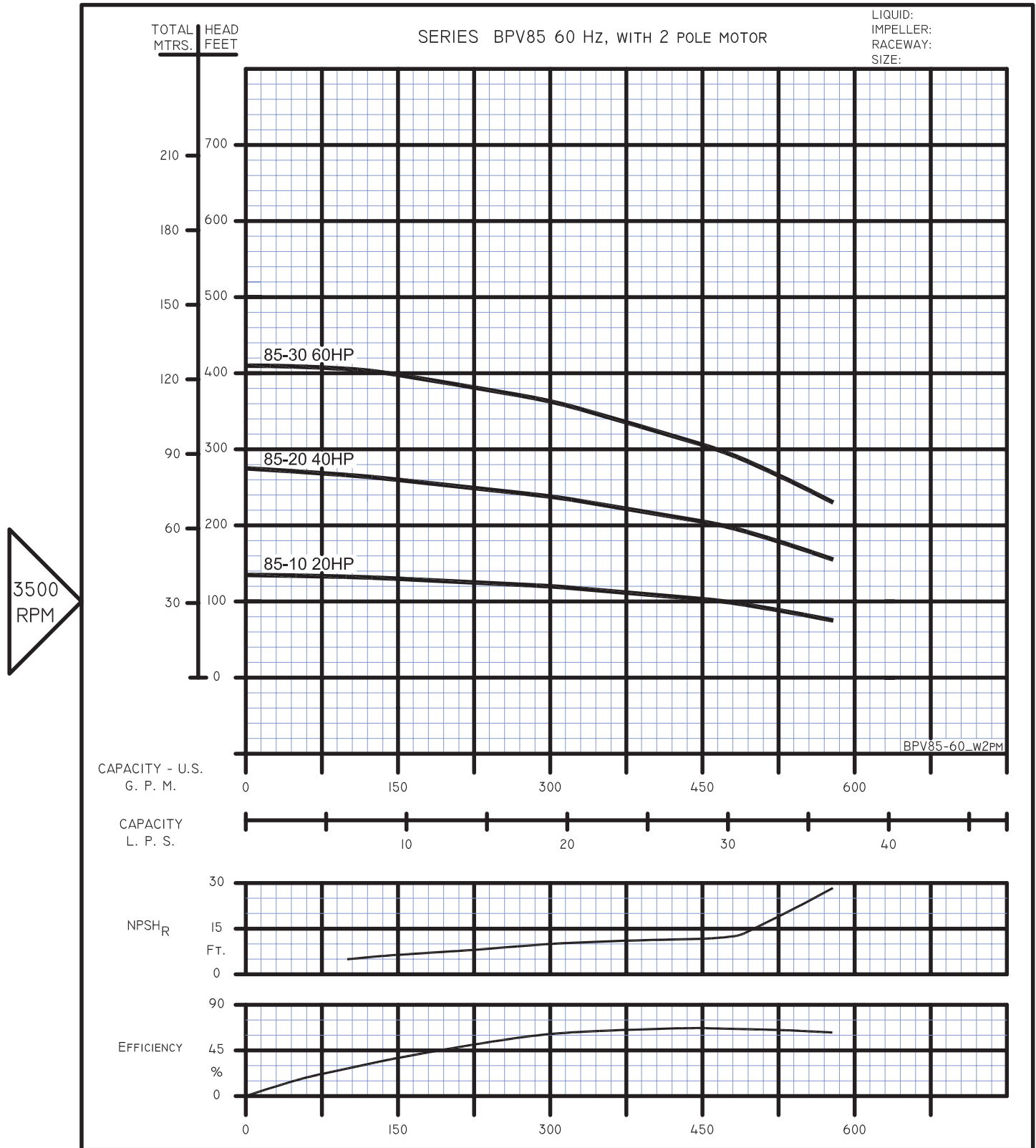


# Series: BPV 85

with 2 pole motor  
60 Hz Performance



## Vertical Multi-Stage Pumps



SECTION BPV  
PAGE 22  
DATE 11/10

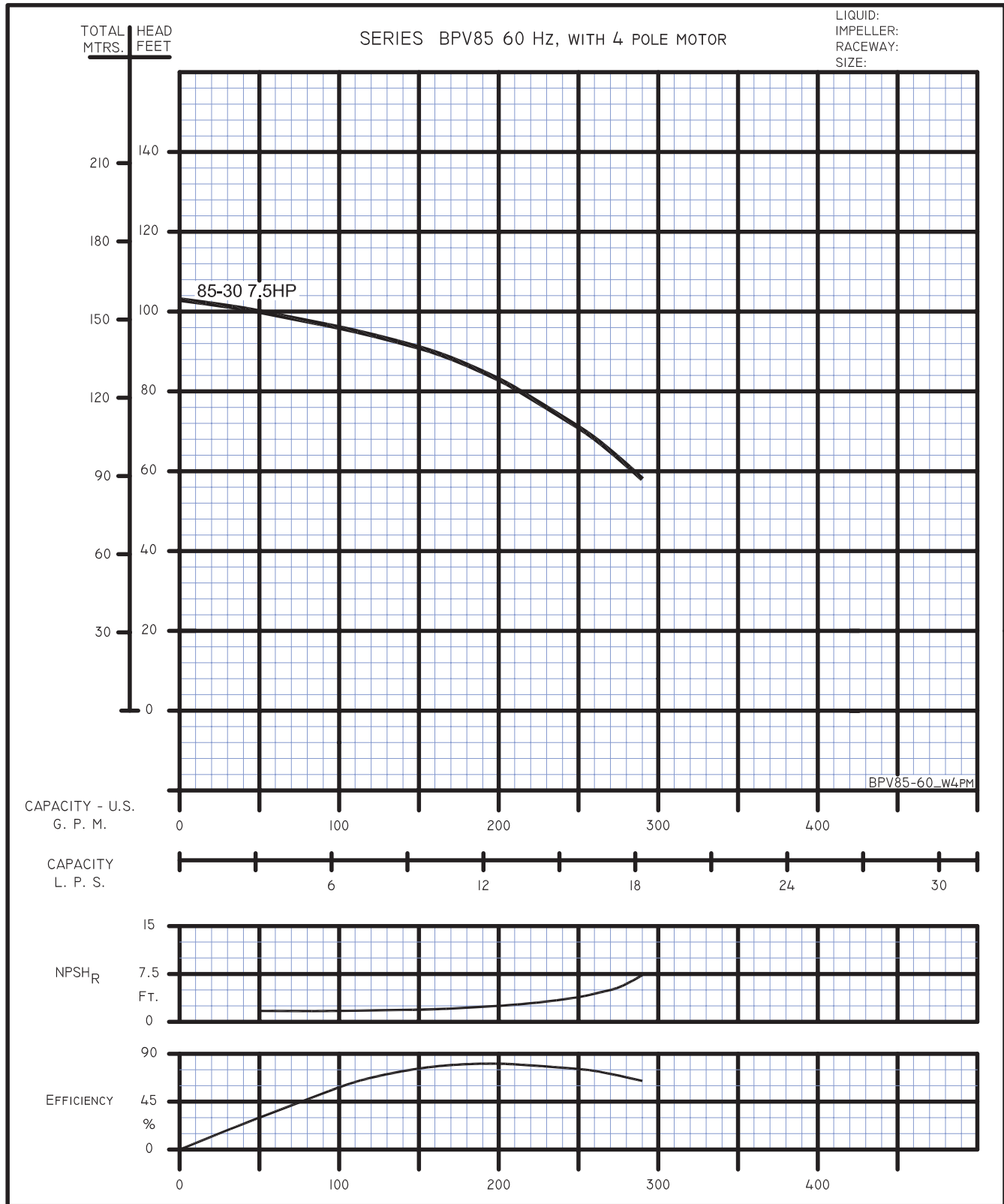


A Crane Co. Company

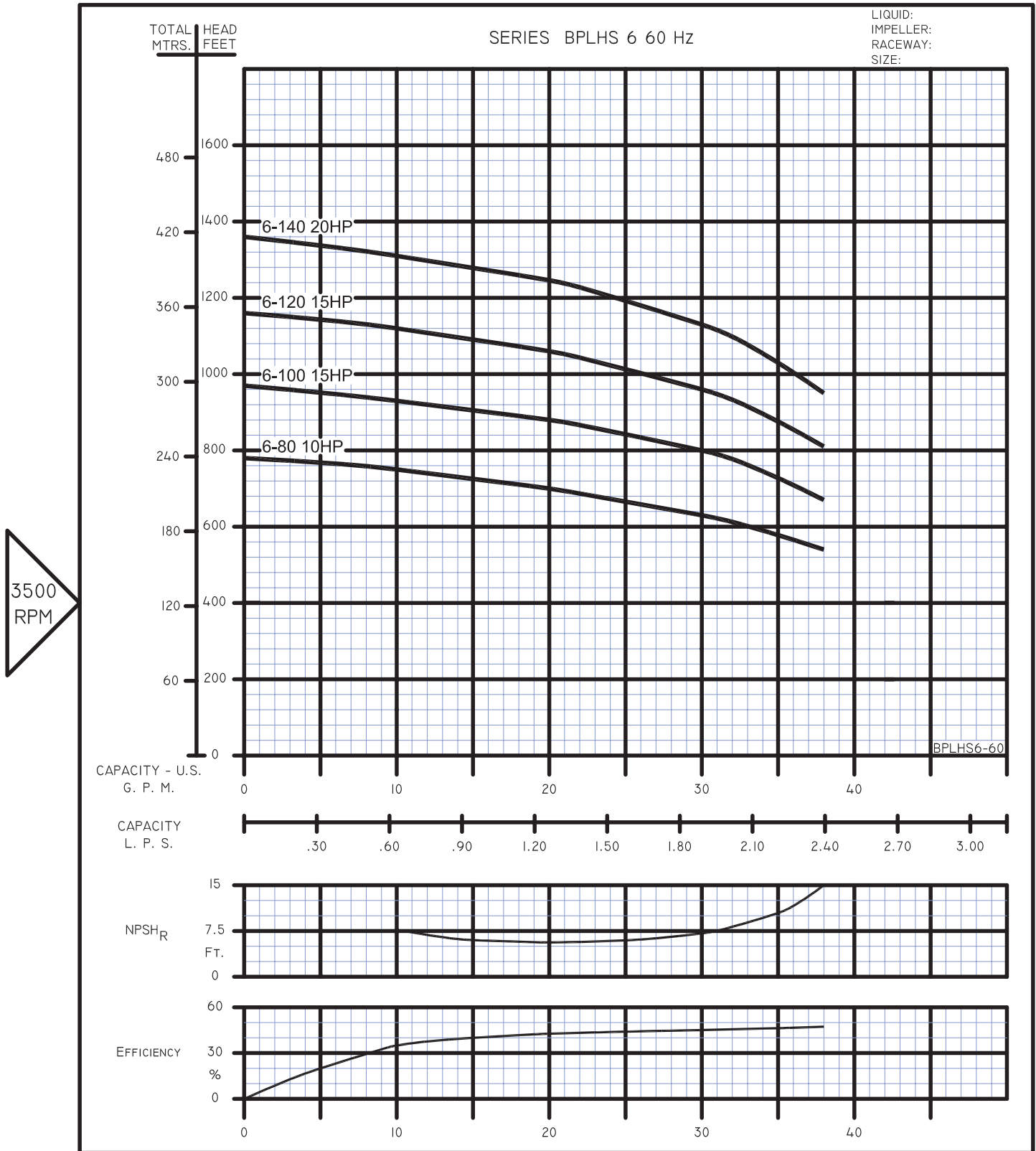
## PUMPS & SYSTEMS

USA: (937) 778-8947 • Canada: (905) 457-6223 • International: (937) 615-3598

## Vertical Multi-Stage Pumps



**Vertical Multi-Stage Pumps**

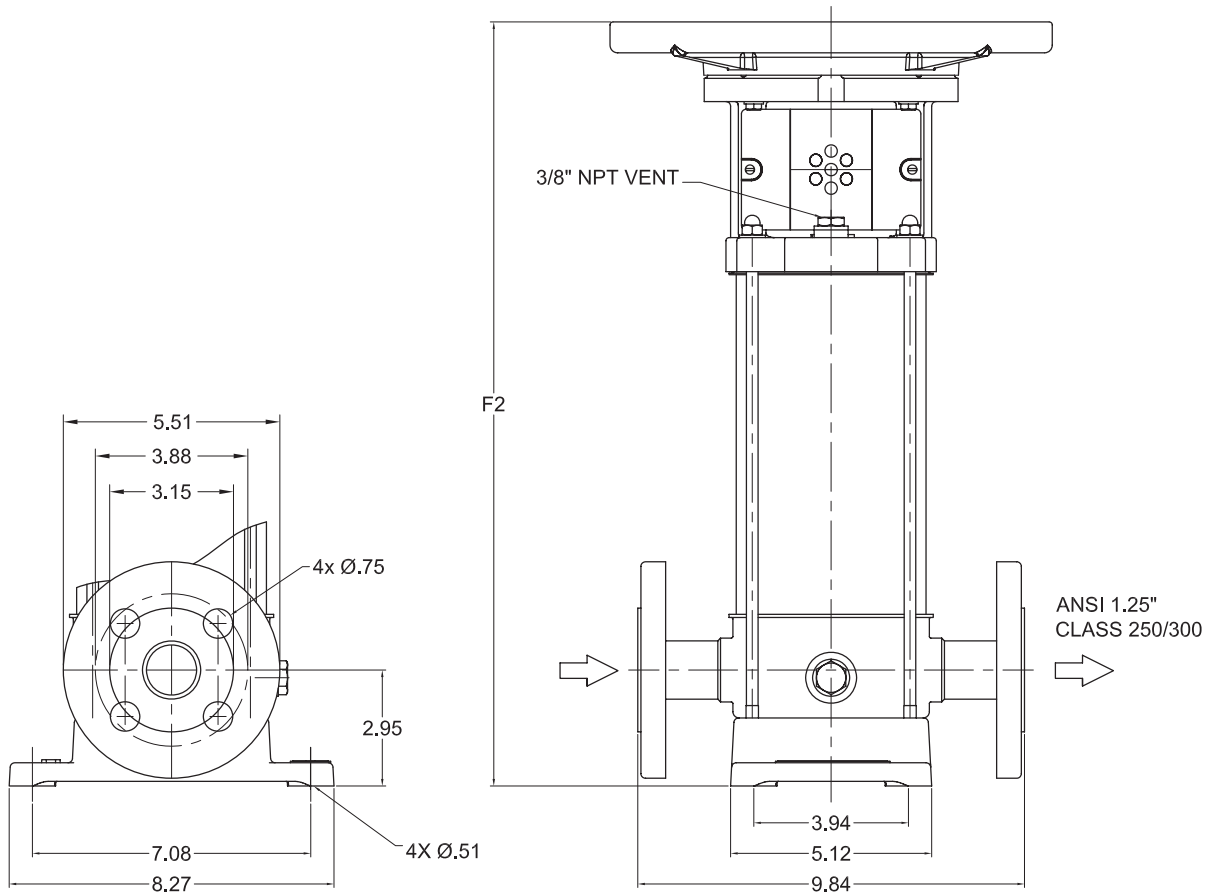




Discontinued Models

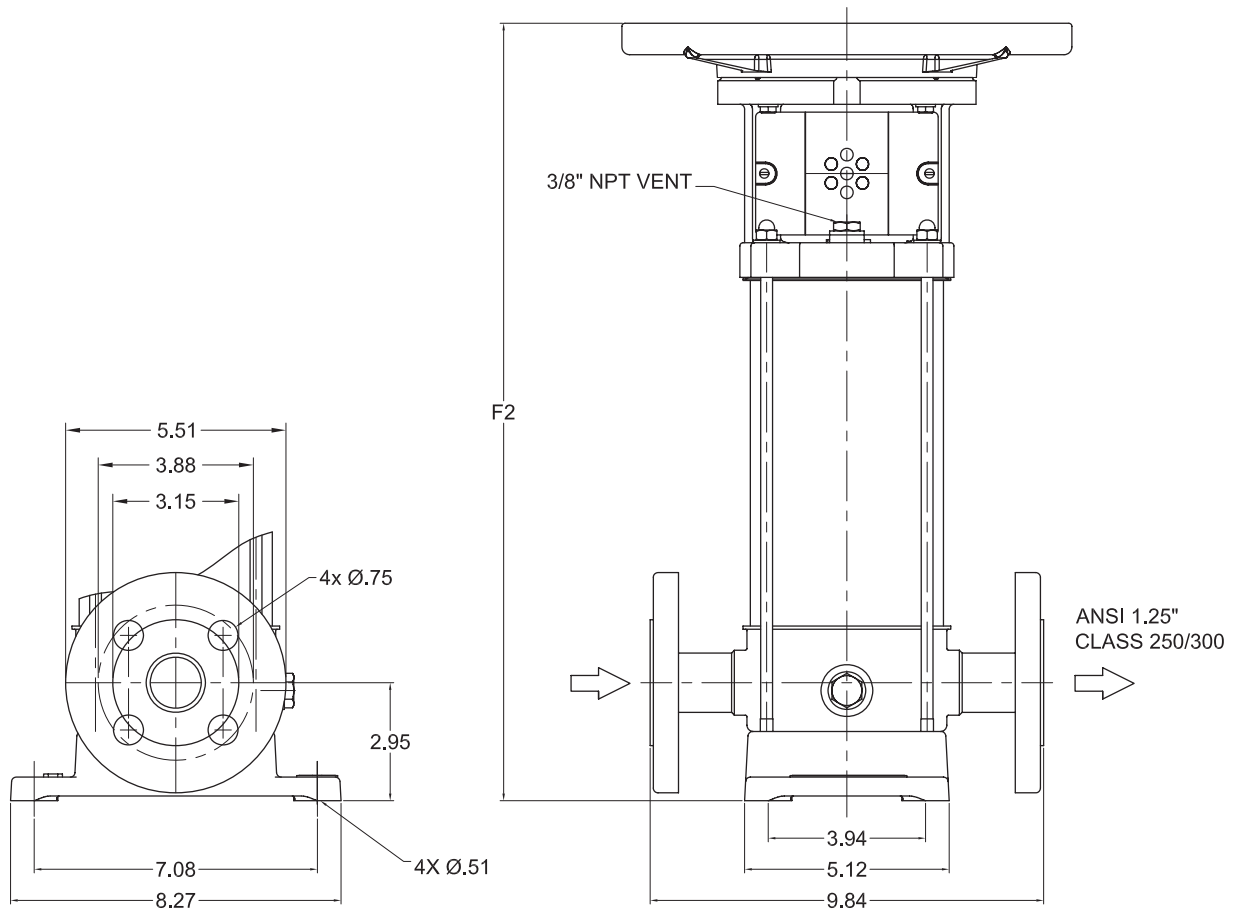
**Vertical Multi-Stage Pumps**

DISCONTINUED



BPVF, BPVSF, BPVCF 2 - General				BPVF, BPVSF
Model	HP	Frame Size	F2 (inches)	Net Weight (lbs)
2-20	0.75	56C	11.14	28
2-30	0.75	56C	11.97	29
2-40	1	56C	12.80	30
2-50	1.5	143TC	13.62	31
2-60	1.5	143TC	14.45	32
2-70	1.5	143TC	15.28	33
2-80	2	145TC	16.10	34
2-90	2	145TC	16.93	35
2-100	3	184TC	18.62	41
2-110	3	184TC	19.45	42
2-130	3	184TC	21.10	44
2-150	5	184TC	22.76	46
2-160	5	184TC	23.58	47
2-180	5	184TC	25.24	49

## Vertical Multi-Stage Pumps



DISCONTINUED

BPVF, BPVSF, BPVCF 4 - General				BPVF, BPVSF
Model	HP	Frame Size	F2 (inches)	Net Weight (lbs)
4-20	0.75	56C	11.14	28
4-30	1	56C	11.97	29
4-40	1.5	143TC	12.80	30
4-50	1.5	143TC	13.62	31
4-60	2	145TC	14.45	32
4-70	3	184TC	16.14	38
4-80	3	184TC	16.97	39
4-90	3	184TC	17.80	40
4-100	5	184TC	18.62	41
4-110	5	184TC	19.45	42
4-130	5	184TC	21.10	44
4-150	5	184TC	22.76	46
4-160	7.5	184TC	23.58	47

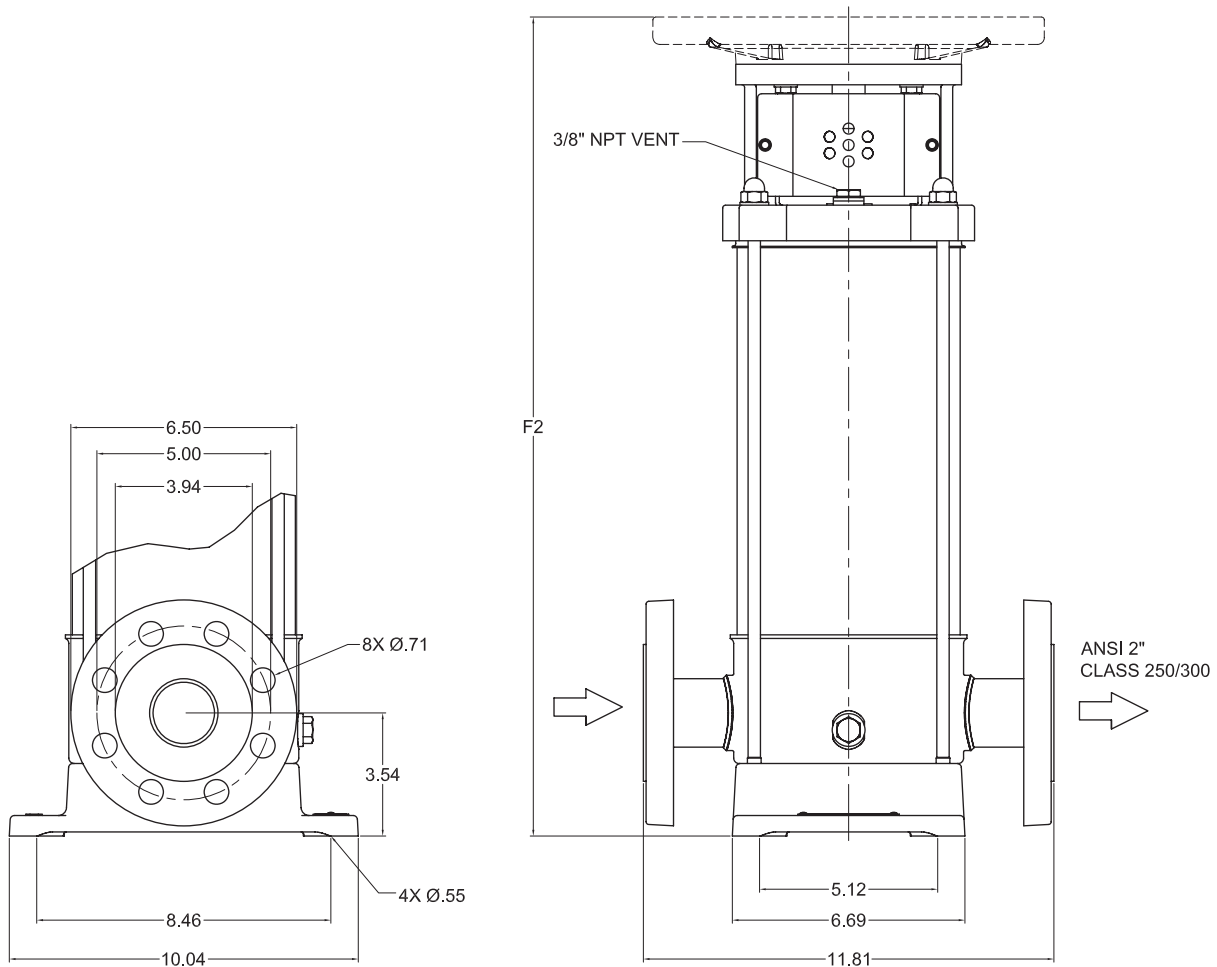
# Series: BPV 10

Dimensions & Weights

Pump Only

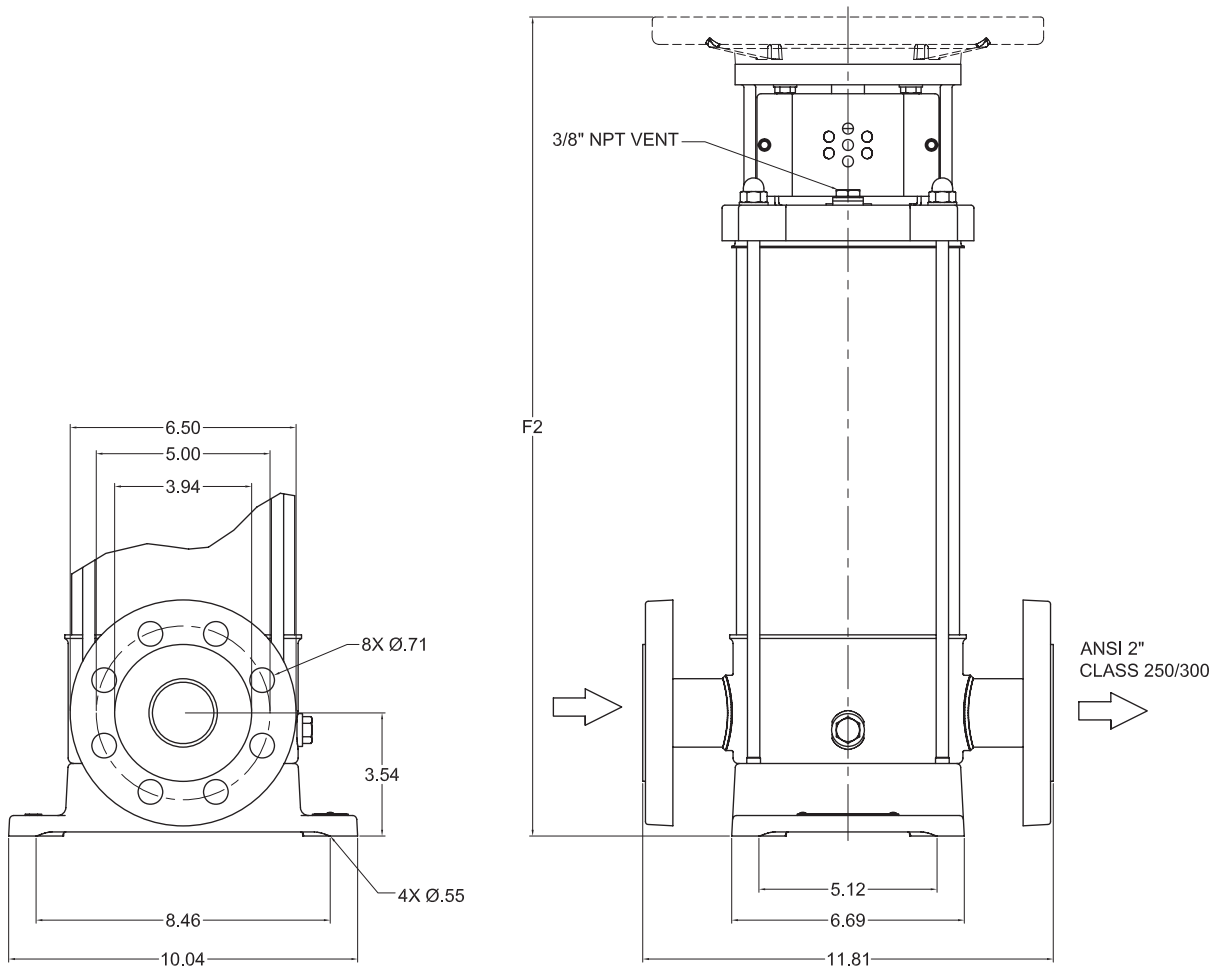
## Vertical Multi-Stage Pumps

DISCONTINUED



BPVF, BPVSF, BPVCF 10 - General				BPVF, BPVSF
Model	HP	Frame Size	F2 (inches)	Net Weight (lbs)
10-10	1.5	143TC	13.84	46.28
10-20	1.5	143TC	13.84	46.28
10-30	3	184TC	15.77	53.20
10-40	3	184TC	16.83	55.19
10-50	5	184TC	17.89	57.17
10-60	5	184TC	18.96	59.15
10-70	7.5	213TC	20.02	61.14
10-80	7.5	213TC	21.08	63.12
10-100	10	215TC	23.56	69.79
10-120	10	215TC	25.69	73.75
10-140	15	254TC	27.81	77.72

## Vertical Multi-Stage Pumps



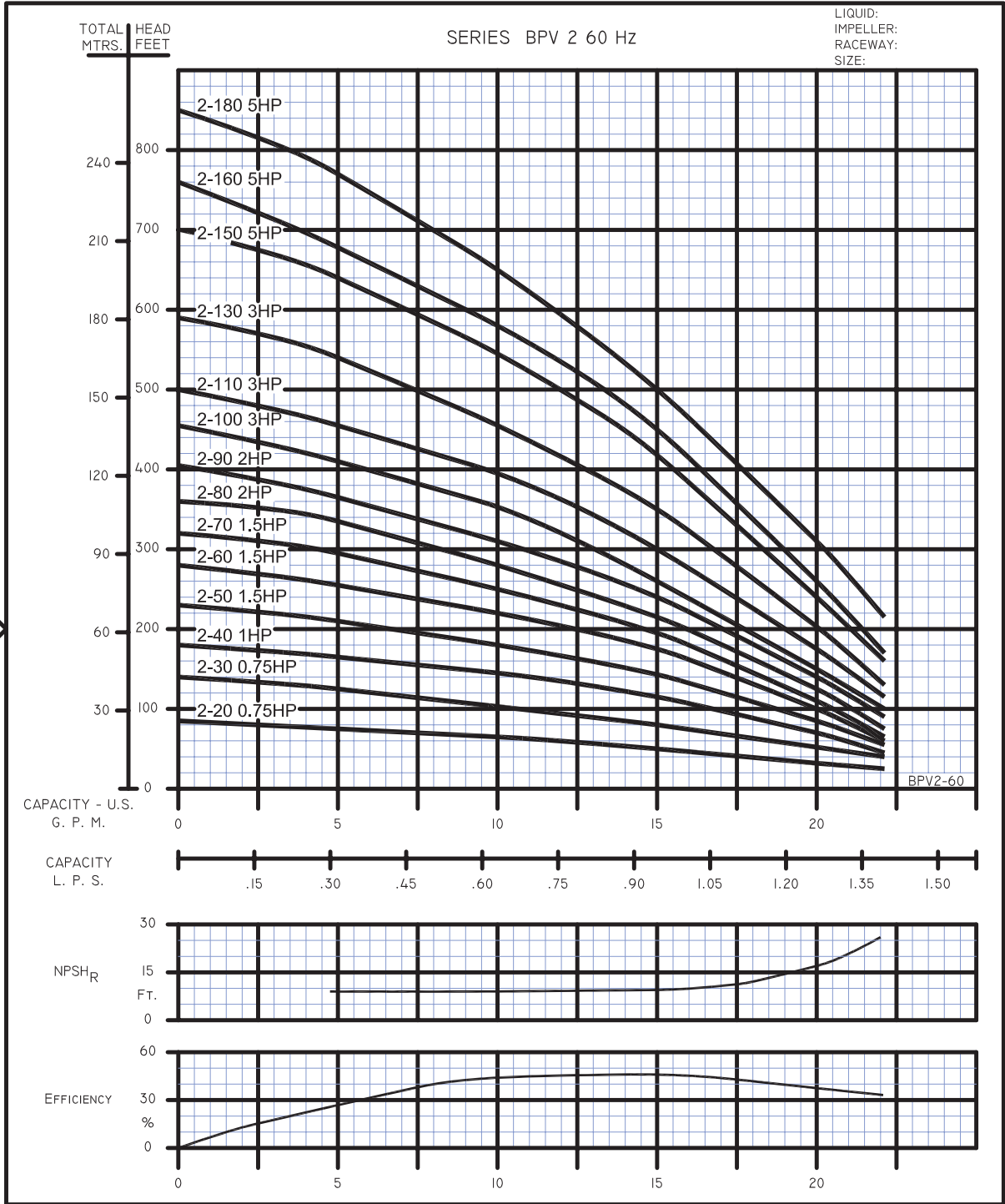
DISCONTINUED

BPVF, BPVSF, BPVCF 18 - General				BPVF	BPVSF
Model	HP	Frame Size	F2 (inches)	Net Weight (lbs)	Net Weight (lbs)
18-10	2	145TC	14.43	37.08	47.16
18-20	5	184TC	15.30	42.01	52.10
18-30	7.5	213TC	16.65	44.44	54.52
18-40	7.5	213TC	18.01	46.86	56.95
18-50	10	215TC	19.42	51.98	62.07
18-60	15	254TC	21.08	54.41	64.50
18-70	15	254TC	22.44	56.83	66.92
18-80	15	254TC	23.80	59.26	69.35
18-90	20	256TC	25.79	65.69	75.77
18-100	20	256TC	27.15	68.11	78.20
18-120	25	284TSC	29.11	74.79	84.88

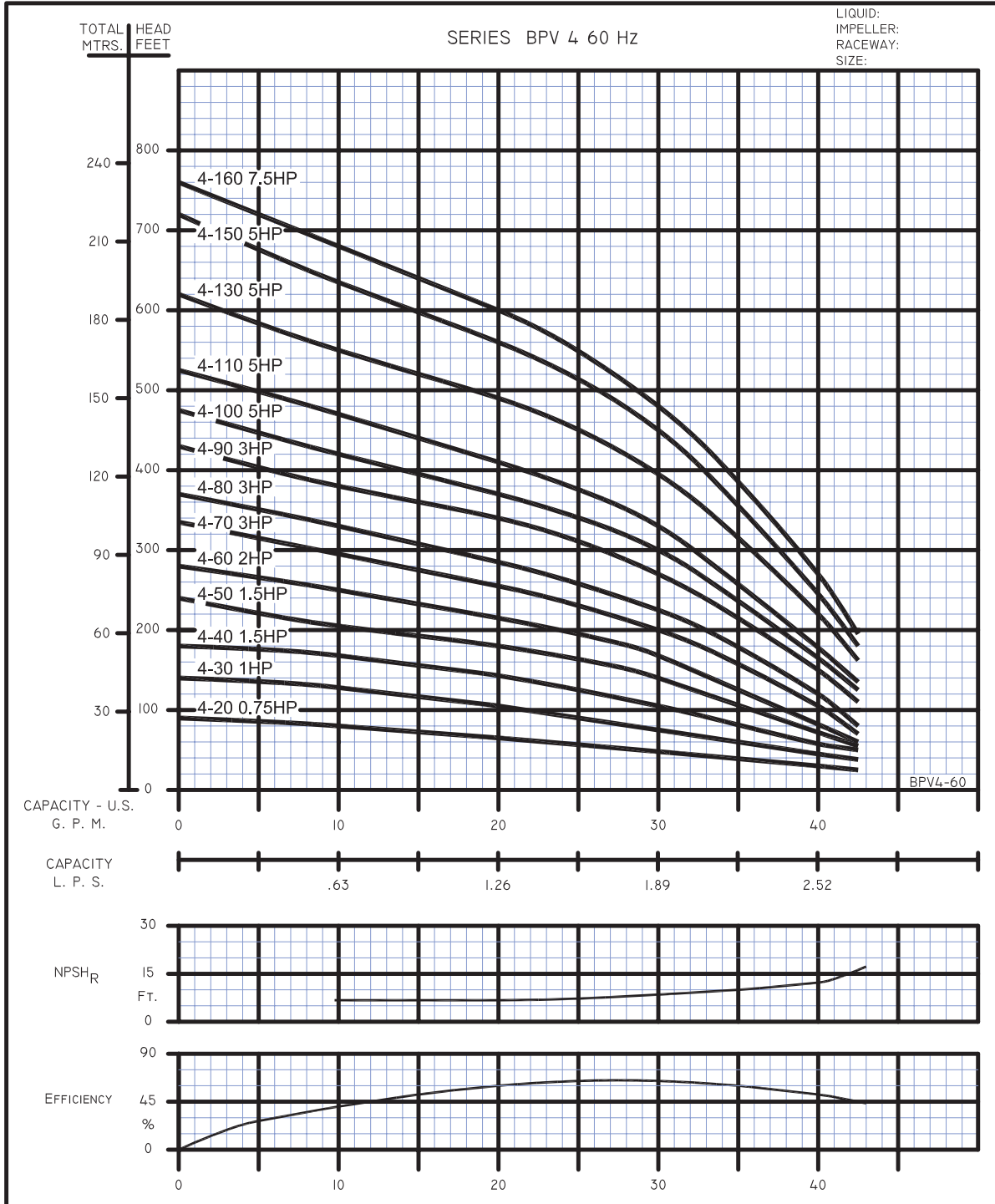
**Vertical Multi-Stage Pumps**

DISCONTINUED

3500  
RPM



Vertical Multi-Stage Pumps

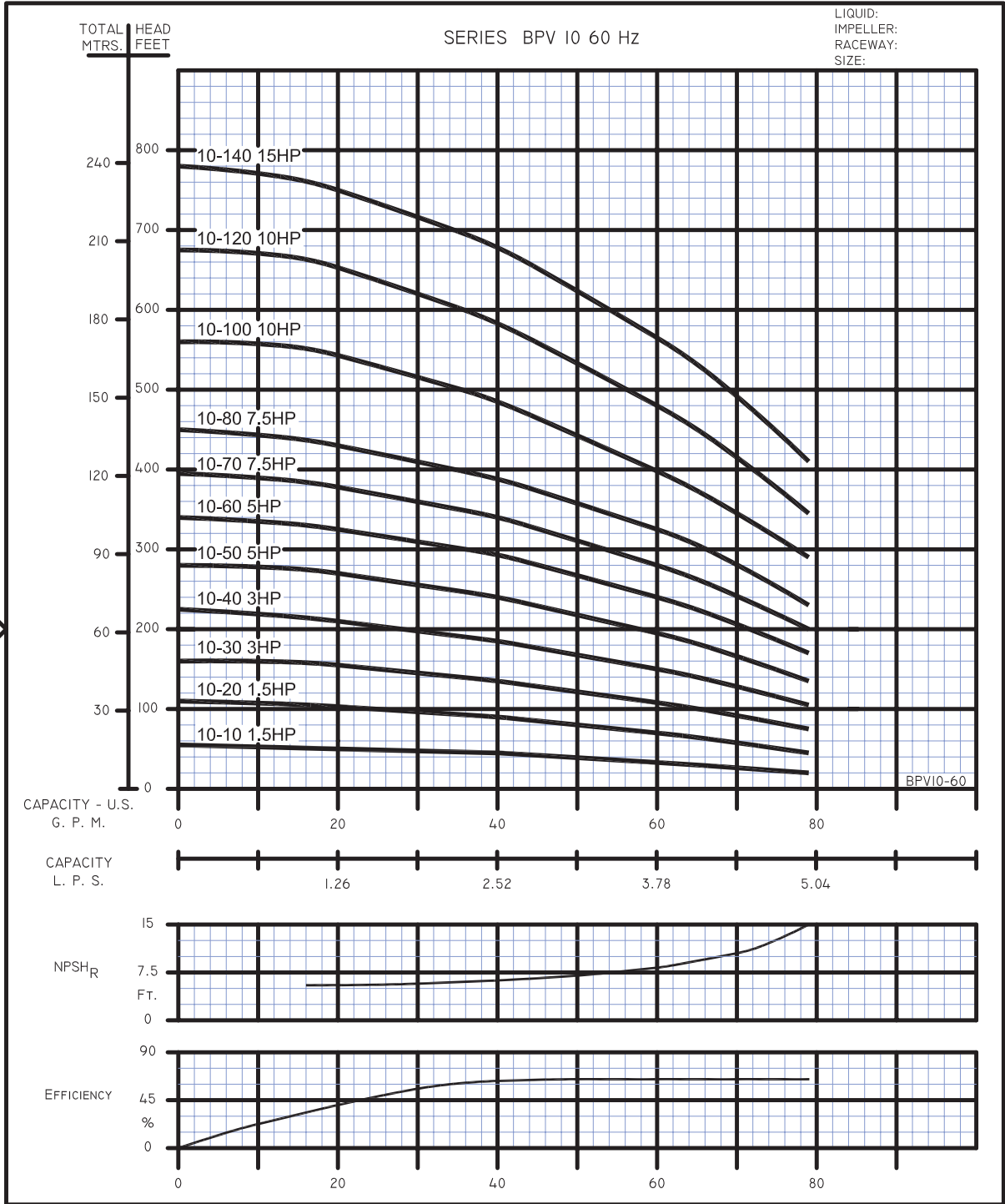


DISCONTINUED

**Vertical Multi-Stage Pumps**

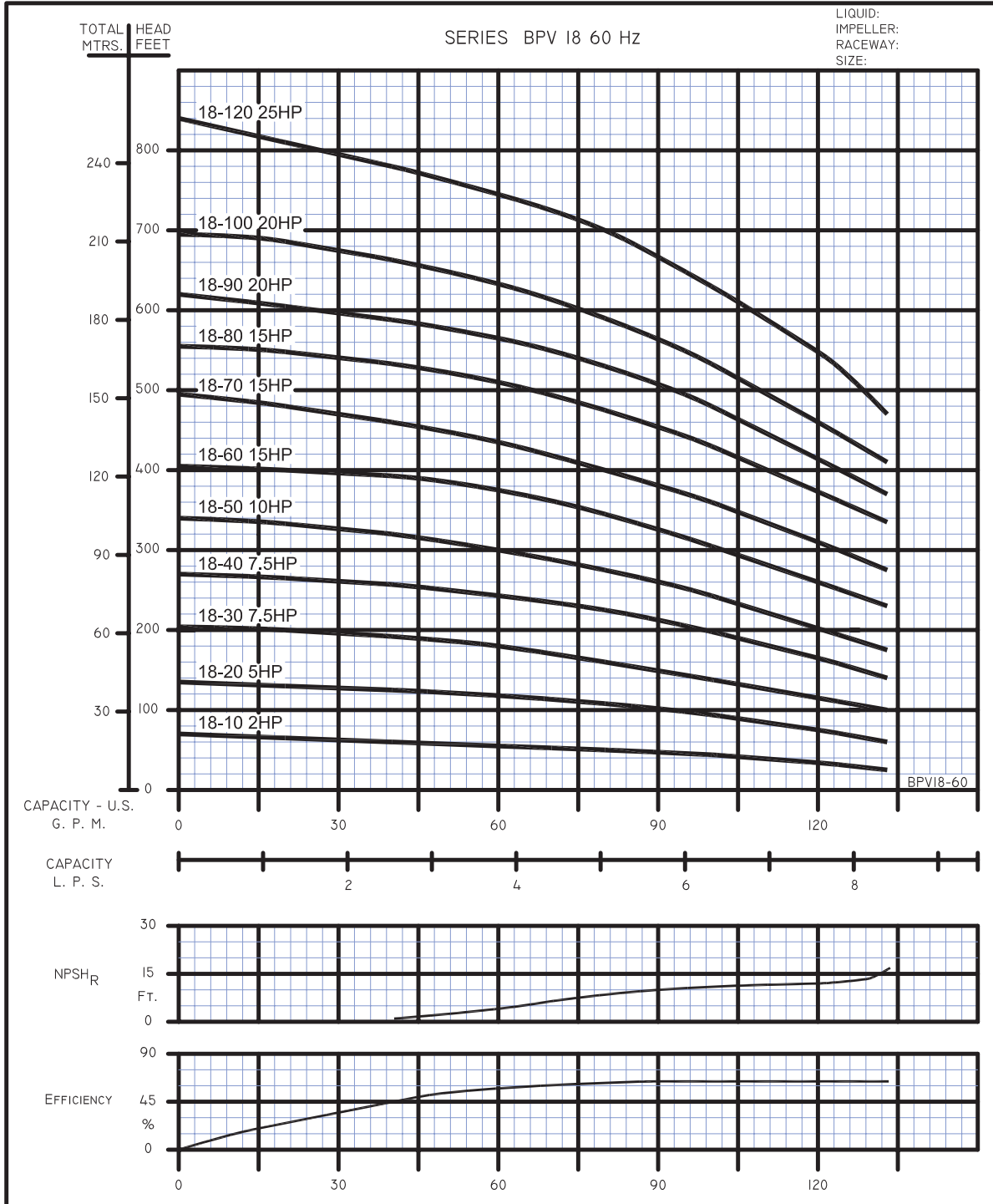
DISCONTINUED

3500  
RPM





## Vertical Multi-Stage Pumps



DISCONTINUED

3500  
RPM

***Vertical Multi-Stage Pumps***

This page intentionally left blank