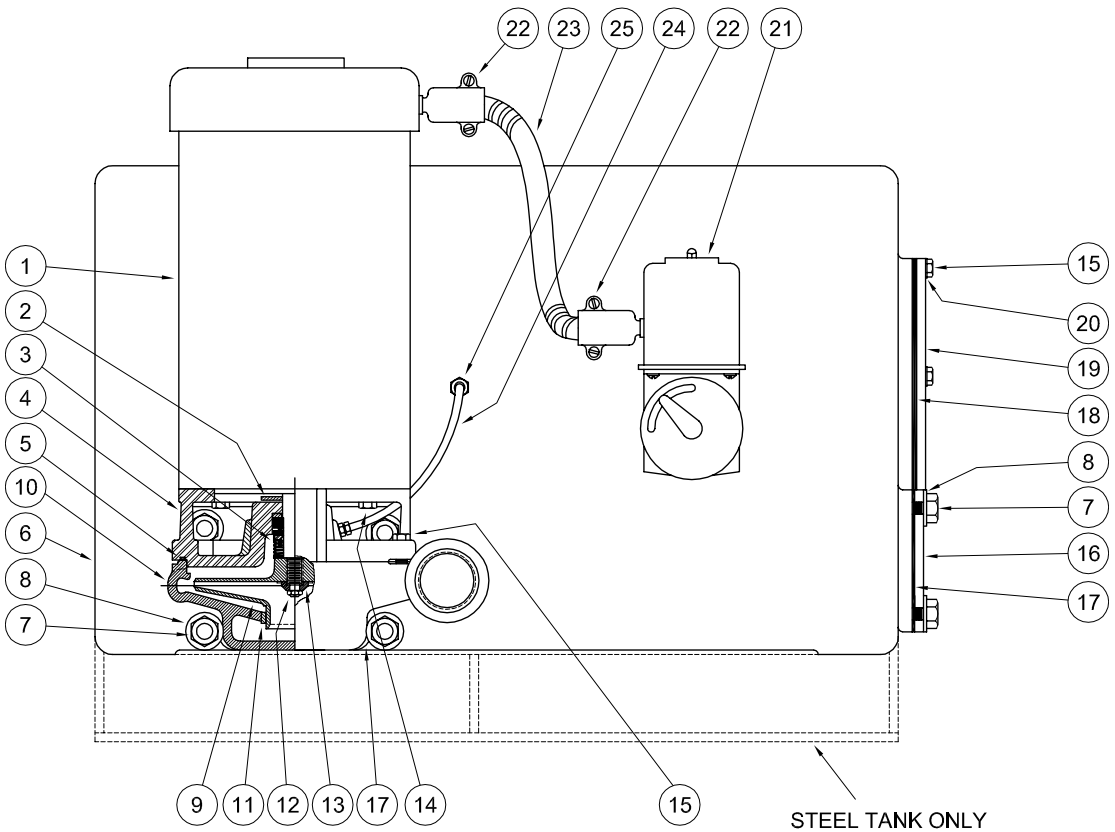


Condensate Return Systems



| 1 - MOTORS (All 56J Frame) | | |
|---|-------------|-----|
| RPM & PHASE | PART NUMBER | HP |
| OPEN DRIP PROOF | | |
| 3500 RPM Single Phase (ODP) | 09581 | 1/3 |
| | 09582 | 1/2 |
| | 09625 | 3/4 |
| | 09650 | 1 |
| | 09675 | 1½ |
| | 09677 | 2 |
| | 09737 | 3 |
| 3500 RPM Three Phase (ODP) | 09661 | 1/3 |
| | 09662 | 1/2 |
| | 09652 | 3/4 |
| | 09653 | 1 |
| | 09676 | 1½ |
| | 09678 | 2 |
| | 09738 | 3 |
| TOTALLY ENCLOSED | | |
| 3500 RPM Single Phase (TENV / TEFC) | 09688 | 1/2 |
| | 09690 | 3/4 |
| | 09692 | 1 |
| | 09774 | 1½ |
| | 09827 | 2 |
| 3500 RPM Three Phase (TENV / TEFC) | 09689 | 1/2 |
| | 09691 | 3/4 |
| | 09693 | 1 |
| | 09758 | 1½ |
| | 09829 | 2 |
| | 21697 | 3 |
| EXPLOSION PROOF | | |
| 3500 RPM Single Phase (XP) | 20655 | 1/2 |
| | 20513 | 3/4 |
| | 20515 | 1 |
| | 20517 | 1½ |
| | 20519 | 2 |
| 3500 RPM Three Phase (XP) | 20656 | 1/2 |
| | 20514 | 3/4 |
| | 20516 | 1 |
| | 20518 | 1½ |
| | 20520 | 2 |
| | 09909 | 3 |

SECTION CRSP
PAGE 98
DATE 2/05



A Crane Co. Company

PUMPS & SYSTEMS

USA: (937) 778-8947 • Canada: (905) 457-6223 • International: (937) 615-3598

STEEL TANK ONLY

| SYMBOL NUMBER | PART NUMBER | QTY | DESCRIPTION |
|---------------|--------------------------|-----|--------------------------------------|
| 21 | 22167 | 1 | Float Switch - Simplex |
| | 22166 | 1 | Mech. Alternator - Duplex |
| | 22264 | 1 | Mech. Alternator - Duplex XP |
| | 22266 | 1 | Float Switch - XP Simplex |
| | 22265 | 1 | Float Switch - Watertight Simplex |
| 22 | 22263 | 1 | Mech. Alternator - Watertight Duplex |
| | 02313 | A/R | Connector, Conduit - Straight |
| | 01622 | | Connector, Conduit - 90° |
| 01623 | Connector, Conduit - 45° | | |
| 23 | S6518 | A/R | Conduit (Specify Length) |
| | 22043 | | Tube |
| | 21222 | | Connector |
| Not Shown | 22334 | 1 | Float |
| | B8283-1-E4 | 1 | Plate, Switch - 20 Gal. Tanks |
| | B8285-1-L13 | 1 | Gasket, Plate - 20 Gal. Tanks |
| | A5670-E4 | A/R | Flange - 20 Gal. Tanks |
| | A6579-L6 | 1 | Gasket, Flange - 20 Gal Tanks |

| SYMBOL NUMBER | PART NUMBER | QTY | DESCRIPTION |
|---------------|-------------|-----|-----------------------------------|
| 2 | 08105 | 1 | Slinger Washer |
| 3 | 08514 | 1 | Mechanical Seal - Buna-N |
| 4 | 09657-1 | 1 | Adapter |
| 5 | 22021 | 1 | O-ring Gasket - Buna-N |
| 6 | 22144 | 1 | Receiver Tank - 9 gal, CI |
| | 22145 | 1 | Receiver Tank - 14 gal, CI |
| | C5555-10-A2 | 1 | Receiver Tank - 20 gal, CI * |
| | 22339 | 1 | Receiver Tank - 23 gal, Steel |
| | 22147 | 1 | Receiver Tank - 36 gal, CI |
| | 22170 | 1 | Receiver Tank - 36 gal, Steel |
| | 22855 | 1 | Receiver Tank - 52 gal, Steel |
| | 22856 | 1 | Receiver Tank - 75 gal, Steel |
| | 22857 | 1 | Receiver Tank - 120 gal, Steel |
| 7 | 15-13-6 | A/R | Nut |
| 8 | 22234 | A/R | Washer |
| 9 | 09680-3.22 | 1 | Impeller - 3GV6/33GV6 |
| | 09680-3.63 | 1 | Impeller - 5GV6/35GV6 |
| | 09680-3.88 | 1 | Impeller - 7GV6/37GV6 |
| | 09680-4.25 | 1 | Impeller - 10GV6/310GV6 |
| | 09680-4.63 | 1 | Impeller - 15GV6/315GV6 |
| | 09680-4.88 | 1 | Impeller - 20GV6/320GV6 |
| | 09680-5.66 | 1 | Impeller - 30GV6/330GV6 |
| 10 | 22016 | 1 | Casing Assy. (Includes Symbol 11) |
| 11 | 22019 | 1 | Wear Ring |
| 12 | 21182 | 1 | Screw, Impeller Lock - 3Ph Only |
| 13 | 21181-C | 1 | Washer - 3 Ph |
| 14 | 03122 | 4 | Cap Screw |
| 15 | 04235 | A/R | Cap Screw |
| 16 | 22072 | 1 | Cover |
| 17 | 22018 | A/R | Gasket, Pump to Tank |
| 18 | 04177 | 1 | Gasket - 23 & 36 Gal. Tanks |
| 19 | 22161 | 1 | Cover - 23 & 36 Gal. Tanks |
| 20 | 01609-A | 6 | Washer - 23 & 36 Gal. Tanks |

(*) 23 Gal CI Receiver Part Number 22146 No longer Available.