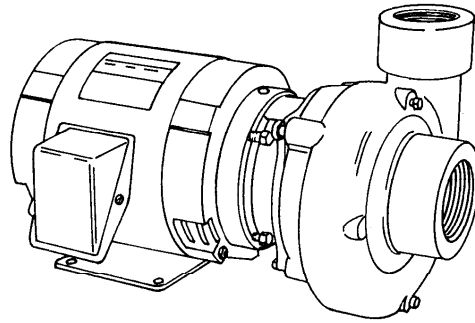
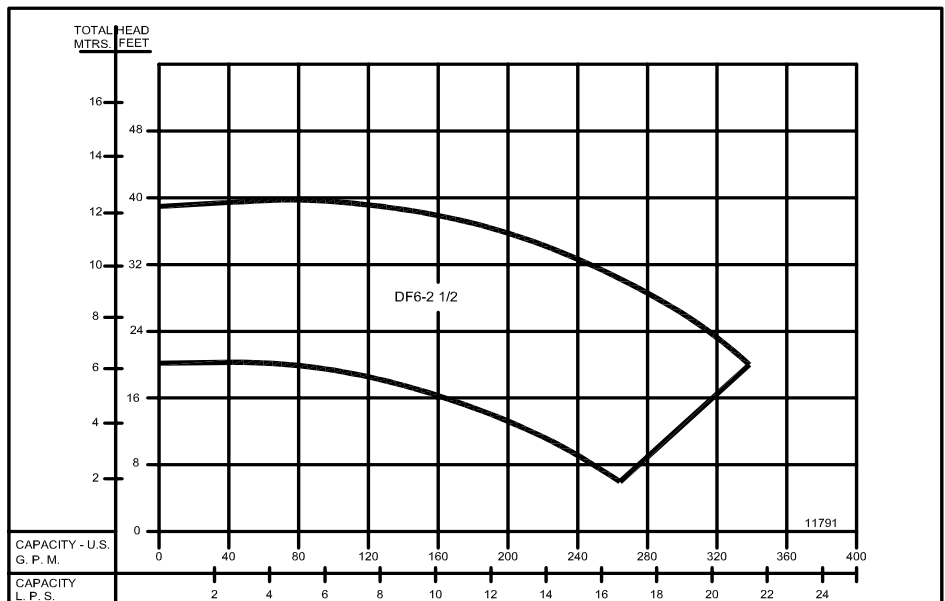


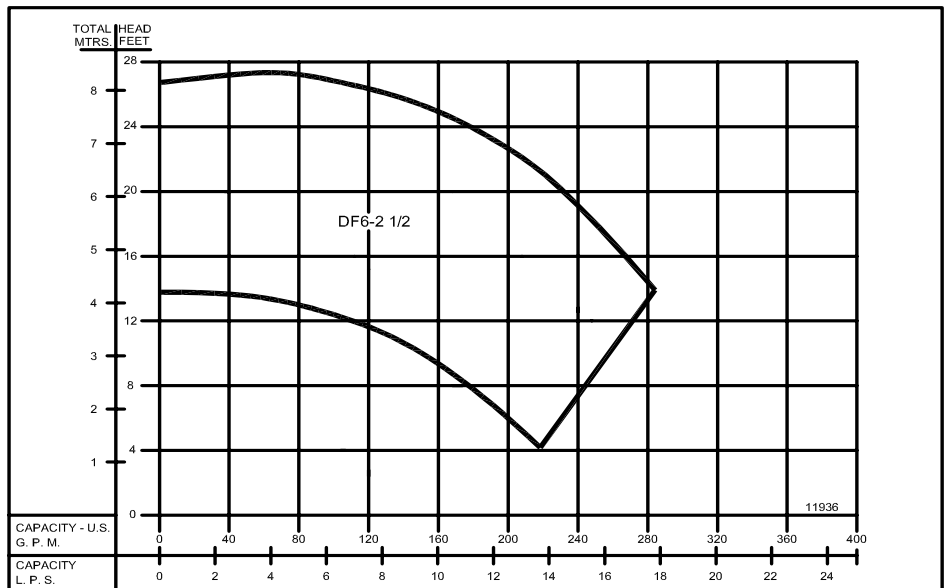
## Close Coupled Centrifugal Pumps



**1750 RPM - 60Hz.**  
 CAPACITIES TO 320 GPM (20.2 LPS)  
 HEADS TO 39 FEET (12 M)



**1450 RPM - 50Hz.**  
 CAPACITIES TO 280 GPM (17.7 LPS)  
 HEADS TO 27 FEET (8.3 M)



Individual performance curves should be checked for final selection.

## Close Coupled Centrifugal Pumps

### FOUR POSITION CASING

Discharge can be located in any of four positions. Back pull-out design eliminates the need to disturb piping should the pump ever require service - the casing stays in the line.

### ENCLOSED IMPELLER

Of the latest hydraulic design for maximum efficiency, impeller is balanced for vibration-free operation. It is precision fit to shaft with key drive and cap screw lock.

### MECHANICAL SHAFT SEAL

Standard self-adjusting shaft seal for temperatures to 225°F (107°C) and pressures to 150 psi (1034kpa). Ceramic seat and carbon seal face for long trouble-free service. Special seals are available for higher temperatures and fluids other than water.

### SHAFT SLEEVE

Gasketed and keyed hook-type sleeve protects shaft from wear and corrosion in seal area.

### FACTORY TESTED

After careful assembly and inspection, EVERY pump is factory tested and will meet Hydraulic Institute standards.

### MOTORS

JM Type motors have NEMA standard mounting flange, extended steel shaft and dual bearings. These motors offer the advantages of quiet operation, controlled shaft deflection for longer seal life, and bearings sized to provide good service life. All motors are supplied by manufacturers with national field service facilities.

### MOTOR INFORMATION

60 Hz - 1750 RPM - ODP

50 Hz - 1450 RPM - ODP

Single Phase: 115/230 V

Three Phase: 208-230/460 V

Voltages may differ from some suppliers. Consult factory.

### OVERLOAD PROTECTION

All single phase ODP and Totally Enclosed motors have built-in overload protection. All three phase motors and all explosion proof motors must be installed with a magnetic starter which provides full 3-leg protection. Failure to use correct starter and overloads will void motor warranty.

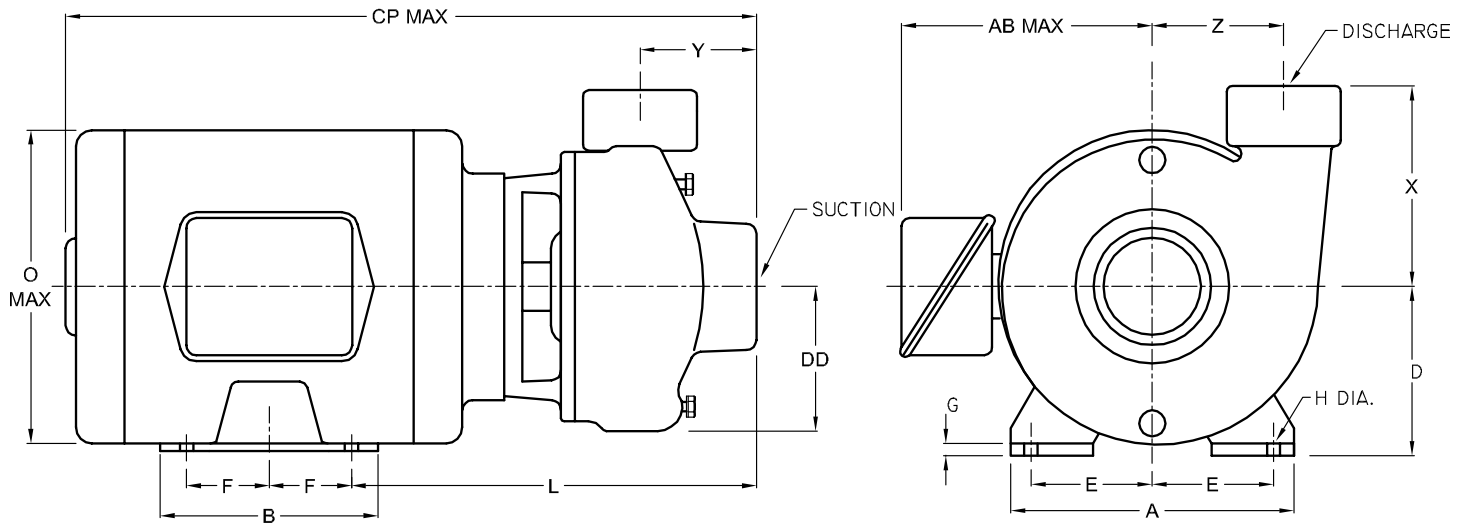
### MATERIALS OF CONSTRUCTION

PART	ALL IRON	BRONZE FITTED	ALL BRONZE
Adapter	Cast Iron	Cast Iron	Bronze
Casing	Cast Iron	Cast Iron	Bronze
Impeller	Cast Iron	Bronze	Bronze
Shaft	Steel	Steel	Steel
Shaft Sleeve	#316 Stainless	Bronze	Bronze
Shaft Seal	Carbon-Ceramic SS - Buna-N	Carbon-Ceramic SS - Buna-N	Carbon-Ceramic SS - Buna-N

### MAXIMUM OPERATING CONDITIONS

TEMPERATURE (For Standard Buna-N Seal)	225°F (107°C)
INLET PRESSURE	100 PSI (433 kpa)
CASING WORKING PRESSURE	200 PSI (1379 kpa)

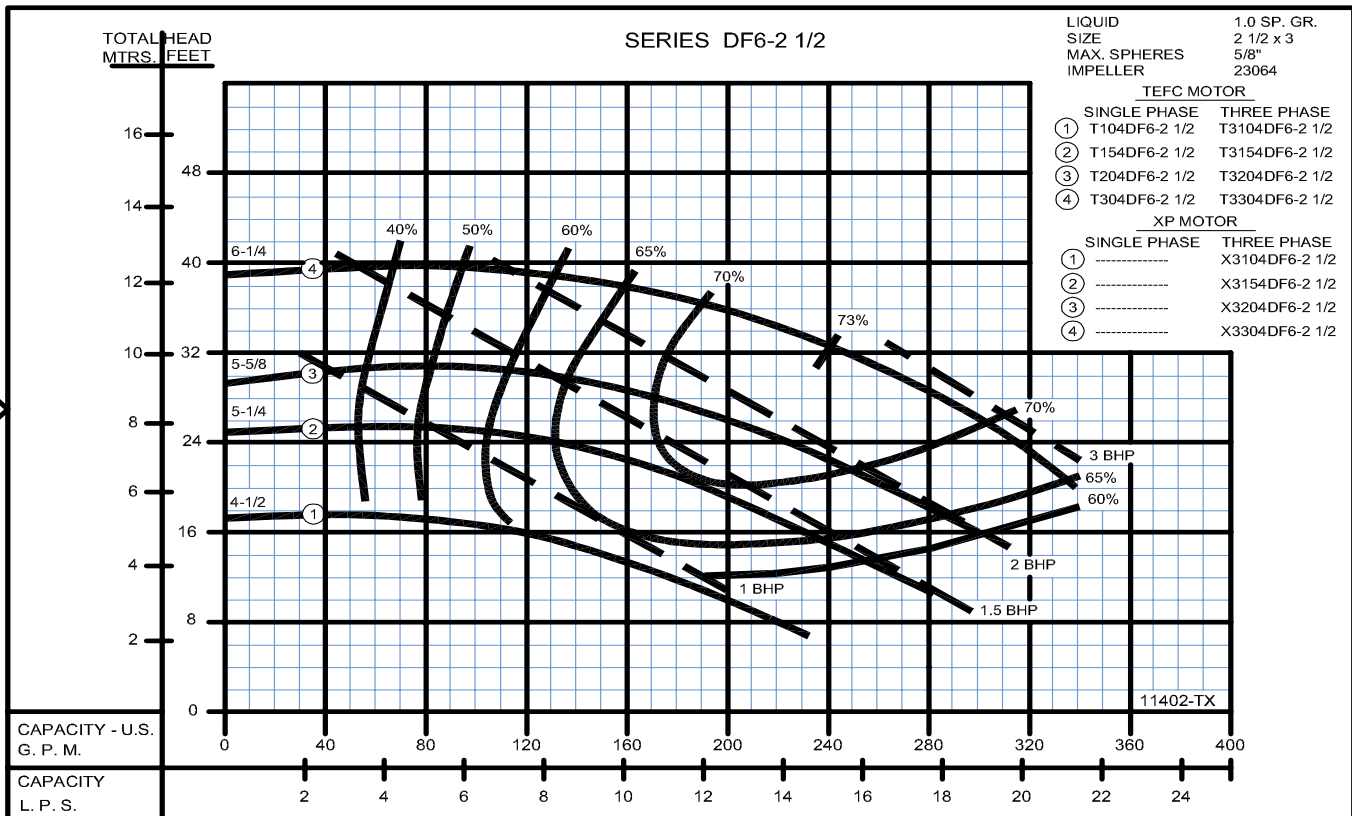
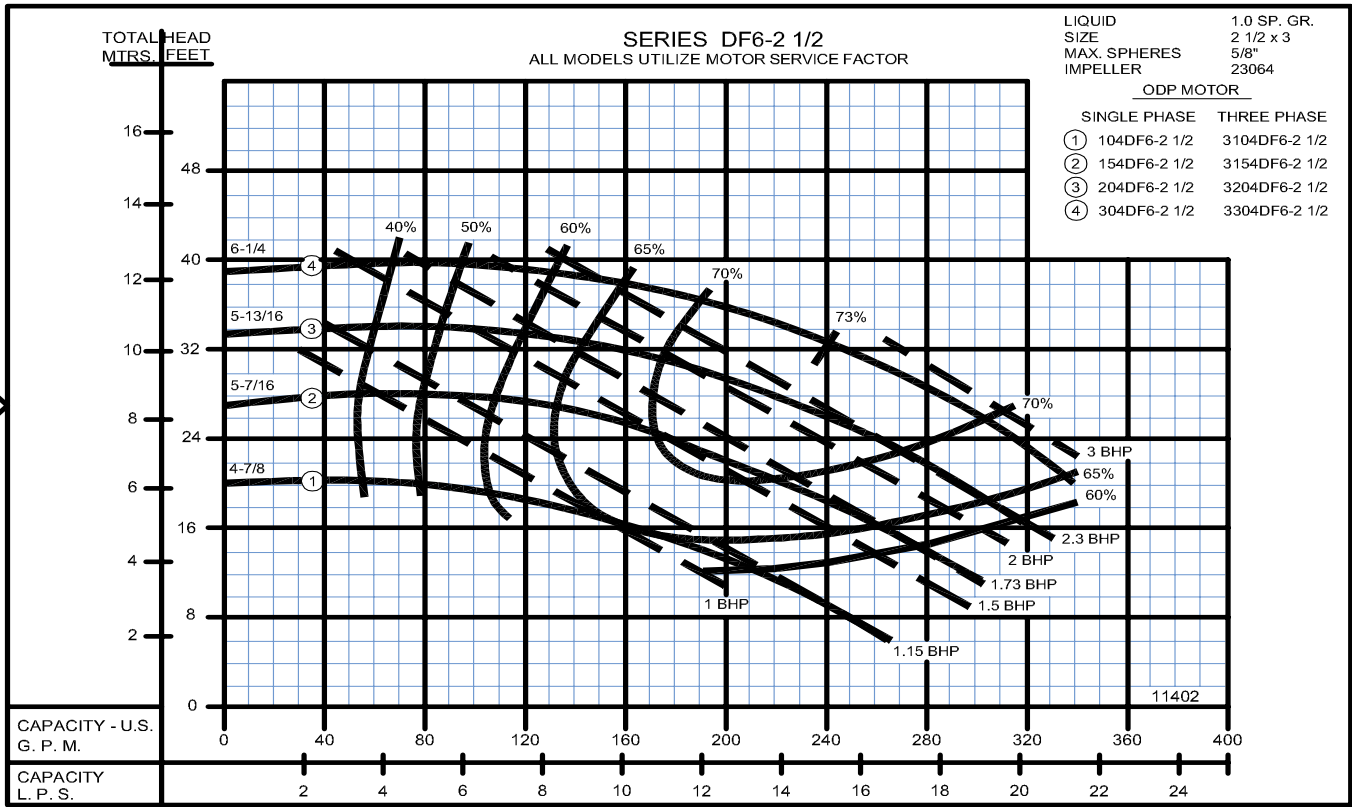
## Close Coupled Centrifugal Pumps



DIMENSIONS IN INCHES (mm)																			
MODEL	HP	MOTOR FRAME SIZE	DISC NPT (in)	SUCT. NPT (in)	A	AB	B	CP	D	DD	E	F	G	H	L	O	X	Y	Z
DF6-2½	1	143JM	2½	3	7 (178)	6 <sup>3</sup> / <sub>16</sub> (157)	6½ (165)	17 <sup>15</sup> / <sub>16</sub> (456)	3½ (89)	5 <sup>3</sup> / <sub>16</sub> (132)	2¾ (70)	2 (51)	⅛ (3)	1 <sup>1</sup> / <sub>32</sub> (8.7)	10 <sup>15</sup> / <sub>16</sub> (278)	7 <sup>7</sup> / <sub>8</sub> (187)	6 <sup>1</sup> / <sub>16</sub> (154)	3 <sup>7</sup> / <sub>16</sub> (87)	4 <sup>5</sup> / <sub>16</sub> (110)
	1½	145JM	2½	3	7 (178)	6 <sup>3</sup> / <sub>16</sub> (157)	6½ (165)	18 <sup>7</sup> / <sub>16</sub> (468)	3½ (89)	5 <sup>3</sup> / <sub>16</sub> (132)	2¾ (70)	2½ (64)	⅛ (3)	1 <sup>1</sup> / <sub>32</sub> (8.7)	10 <sup>15</sup> / <sub>16</sub> (278)	7 <sup>7</sup> / <sub>8</sub> (187)	6 <sup>1</sup> / <sub>16</sub> (154)	3 <sup>7</sup> / <sub>16</sub> (87)	4 <sup>5</sup> / <sub>16</sub> (110)
	2	182JM	2½	3	8¾ (222)	8 <sup>9</sup> / <sub>16</sub> (217)	5¾ (146)	20 <sup>3</sup> / <sub>8</sub> (518)	4½ (114)	5 <sup>3</sup> / <sub>16</sub> (132)	3¾ (95)	2¼ (57)	⅜ (4.7)	1 <sup>3</sup> / <sub>32</sub> (10.3)	11 <sup>11</sup> / <sub>16</sub> (297)	9 <sup>11</sup> / <sub>16</sub> (246)	6 <sup>1</sup> / <sub>16</sub> (154)	3 <sup>7</sup> / <sub>16</sub> (87)	4 <sup>5</sup> / <sub>16</sub> (110)
	3	184JM	2½	3	8¾ (222)	8 <sup>9</sup> / <sub>16</sub> (217)	6¾ (171)	21 <sup>7</sup> / <sub>8</sub> (556)	4½ (114)	5 <sup>3</sup> / <sub>16</sub> (132)	3¾ (95)	2¾ (70)	⅜ (4.7)	1 <sup>3</sup> / <sub>32</sub> (10.3)	11 <sup>11</sup> / <sub>16</sub> (297)	9 <sup>11</sup> / <sub>16</sub> (246)	6 <sup>1</sup> / <sub>16</sub> (154)	3 <sup>7</sup> / <sub>16</sub> (87)	4 <sup>5</sup> / <sub>16</sub> (110)

DIMENSIONS SHOWN ABOVE ARE APPROXIMATE MAXIMUM DIMENSIONS FOR STANDARD PUMPS EQUIPPED WITH ODP MOTORS.

**Close Coupled Centrifugal Pumps**



## Close Coupled Centrifugal Pumps

