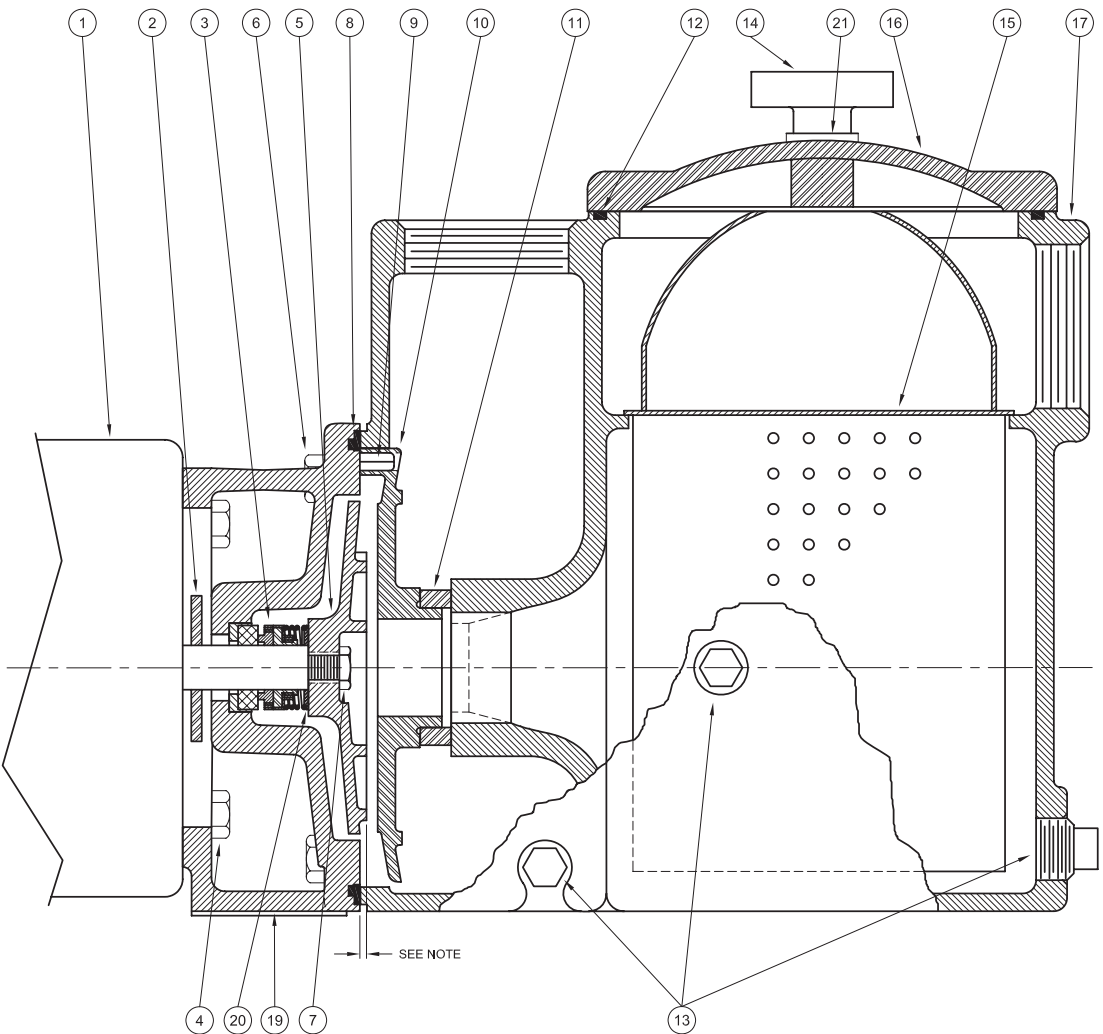


Centrifugals - Self-Priming



NOTE: Impeller must extend from face of frame as follows:
 Pumps with 20405 Diffuser - 33/64"
 20405-1 Diffuser - 9/32"
 20406 Diffuser - 15/64"
 Shim washers (Symbol 20) may be added or removed as required to obtain dimensions.

| 1 - MOTORS | | |
|--|-------------|-----|
| RPM & PHASE | PART NUMBER | HP |
| FOR WT5X & WPT5X (Std) SERIES OPEN DRIP PROOF | | |
| 3500 RPM Single Phase (ODP) | 20633 | 1/2 |
| | 20501 | 3/4 |
| | 20502 | 1 |
| | 20503 | 1½ |
| | 20504 | 2 |
| | 20505 | 3 |
| 3500 RPM Three Phase (ODP) | 20634 | 1/2 |
| | 20506 | 3/4 |
| | 20507 | 1 |
| | 20508 | 1½ |
| | 20509 | 2 |
| | 20510 | 3 |
| FOR WST5X (Std) SERIES EXPLOSION PROOF | | |
| 3500 RPM Single Phase (XP) | 20655 | 1/2 |
| | 20513 | 3/4 |
| | 20515 | 1 |
| | 20517 | 1½ |
| | 20519 | 2 |
| 3500 RPM Three Phase (XP) | 20656 | 1/2 |
| | 20514 | 3/4 |
| | 20516 | 1 |
| | 20518 | 1½ |
| | 20520 | 2 |

| SYMBOL NUMBER | PART NUMBER | QTY | DESCRIPTION |
|-----------------------|-------------|-----|--|
| 11 | 04231 | 1 | Suction Sleeve - Buna-N, WT5X & WST5X (Std) |
| | 09695 | 1 | Suction Sleeve - Viton, WPT5X (Std) |
| | 20285 | 1 | Suction Sleeve - EPT** |
| 12 | 067565 | 1 | Gasket, Buna-N - WT5X & WST5X |
| | 20460 | 1 | Gasket, Viton - WPT5X |
| 13 | 04236 | 3 | Plug, 1/4-18 NPT |
| 14 | 05413 | 2 | Knob Assy |
| 15 | 20461 | 1 | Strainer, Basket |
| 16 | 20410 | 1 | Cover, Strainer |
| 17 | 20411 | 1 | Case |
| 19 | 20245 | 1 | Adapter - 20WT5AX & 320WT5AX 5WPT5X & 35WPT5X 30WPT5AX & 330WPT5AX X20WST5AX & X320WST5AX |
| | 20245-1 | 1 | Adapter - All except above |
| 20 | 20628 | 1 | Washer, 1/16 - 7WPT5X & 37WPT5X |
| | 08542-A | A/R | Washer, .032" |
| | 20294 | A/R | Washer, .010" |
| | 20497 | A/R | Washer, .005" |
| 21 | 01609-A | 2 | Washer, Iron, 3/8" |
| ALL IRON PARTS | | | |
| 5 | | 1 | Impeller (Omit Letter A) |
| 13 | 04236-A | 3 | Plug, 1/4-18 NPT |

(*) WT5X, WPT5X & WST5X Series pumps have been manufactured with either cast iron or Bronze impellers as standard. All replacement impellers will be bronze as listed, unless iron is specified. For iron impellers, omit the letter "A" from part number. EXAMPLE: 20409-8.

(**) For hot water or caustic service.

(♦) Series WT5X, WPT5X & WST5X pumps have been manufactured with either a flat or O-ring type gasket. Determine which type is required before ordering. When in doubt, order flat gasket.

| SYMBOL NUMBER | PART NUMBER | QTY | DESCRIPTION | |
|--|--|---------------------|---|--|
| 2 | 08105 | 1 | Slinger Washer | |
| 3 | 08514 | 1 | Mechanical Seal - Buna-N (WT5X & WST5X Std) | |
| | 09762 | 1 | Mechanical Seal - Viton, WPT5X (Std) | |
| | 20764-C | 1 | Mechanical Seal - EPT** | |
| | 01928 | 4 | Cap Screw 3/8 x 1" Lg | |
| FOR SERIES WT5X, 1 & 3 PHASE | | | | |
| * 5 | 20409-A-8 | 1 | Impeller, 5WT5X | |
| | 20409-A-2 | 1 | Impeller, 7WT5X | |
| | 20409-A-4 | 1 | Impeller, 10WT5X | |
| | 20409-A-1 | 1 | Impeller, 15WT5X | |
| | 20409-A | 1 | Impeller, 20WT5X | |
| | 20408-A | 1 | Impeller, 20WT5AX | |
| | FOR SERIES WPT5X, 1 & 3 PHASE | | | |
| | 20407-A | 1 | Impeller, 5WPT5X | |
| | 20409-A-6 | 1 | Impeller, 7WPT5X | |
| | 20409-A-5 | 1 | Impeller, 10WPT5X | |
| 20409-A-2 | 1 | Impeller, 15WPT5X | | |
| 20409-A-4 | 1 | Impeller, 20WPT5X | | |
| 20409-A | 1 | Impeller, 20WPT5AX | | |
| 20408-A | 1 | Impeller, 30WPT5AX | | |
| FOR SERIES WST5X, 1 & 3 PHASE | | | | |
| 20409-A-7 | 1 | Impeller, X5WST5X | | |
| 20409-A-5 | 1 | Impeller, X7WST5X | | |
| 20409-A-2 | 1 | Impeller, X10WST5X | | |
| 20409-A-1 | 1 | Impeller, X15WST5X | | |
| 20409-A | 1 | Impeller, X20WST5X | | |
| 20408-A | 1 | Impeller, X20WST5AX | | |
| 6 | 04235 | 4 | Cap Screw 3/8-1 1/4 | |
| 7 | 20459 | 1 | Impeller Lock Nut | |
| ♦ 8 | 08507 | 1 | Flat Gasket | |
| | 22021 | 1 | O-Ring - Buna-N, WT5X & WST5X (Std) | |
| | 22020 | 1 | O-Ring - Viton, WPT5X (Std) | |
| | 22133 | 1 | O-Ring - EPDM** | |
| | 22102 | 1 | O-Ring - Teflon | |
| 9 | 09453 | 2 | Pin | |
| 10 | 20405 | 1 | Diffuser - 20WT5AX & 320WT5AX 30WPT5AX & 330WPT5AX X20WST5AX & X320WST5AX | |
| | 20405-1 | 1 | Diffuser - 5WPT5X & 35WPT5X | |
| | 20406 | 1 | Diffuser - All except above | |
| | | | | |

CRANE[®]

PUMPS & SYSTEMS

A Crane Co. Company

USA: (937) 778-8947

• Canada: (905) 457-6223

• International: (937) 615-3598

SECTION C5PP
PAGE 67
DATE 2/09