



Sea-Lect® Y-Valve YV-194D-F



- Convenient, easy control using screwdriver
- No protruding handle above mounting surface
- Flush mounted with tapped brass standoffs
 - Max deck/wall thickness: 1/4 in with standard (5/8 in) mounting screws
- Durable, lightweight Delrin® plastic
- Accommodates 1/2" - 1" hose
- Full port opening
- Supports either 2 or 3 flow-path mode

Performance

Max Pressure	40 psi (2.8 kg/cm ²)
Max Service Temp	150°F (66°C)

Available Ports

	in	1/2	5/8	3/4	1
	cm	1.27	1.6	1.91	2.54
Hose (Smooth)					S
NPT Female (Tapped)	•				
NPT Male (Threaded)				•	
Barbed Adapter (Straight)	•	•	•		
90° Barbed Adapter (Elbow)	•	•	•		

S Standard • Optional

Flush-mount

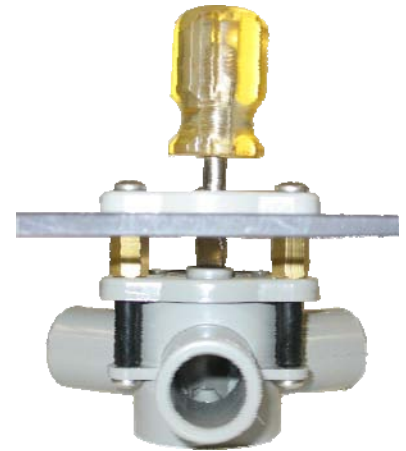


No protruding handle when mounted below deck or behind wall. Top view shows visible portion of Y-valve when mounted on white deck with bonnet trim ring.

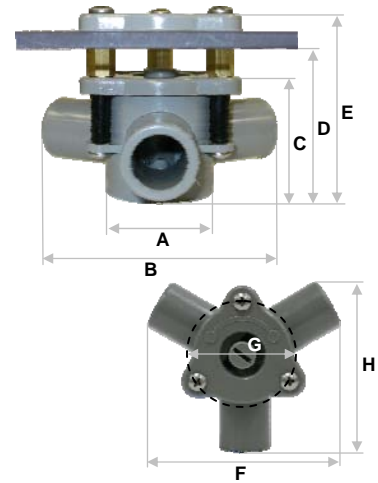
Materials

Body & Ports*	Delrin / Gray
Handle	None
Seat*	Santoprene
Fasteners	Stainless Steel & Brass
Spacers	Polypropylene / Black
Lubricant*	Dow Corning Silicone Grease #44

* In contact with fluid



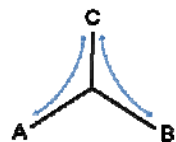
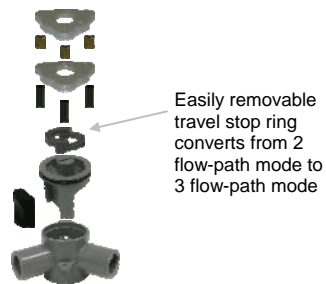
Convenient and easy control using a screwdriver inserted into the valve stem to open and close the Y-valve ports.



Optional Face Plates (Trim Rings)

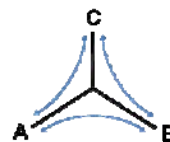


Optional 2-Way or 3-Way Flow Mode



2 Flow-Path Mode

Flow path A-to-C or B-to-C



3 Flow-Path Mode

Flow path A-to-C, B-to-C or A-to-B

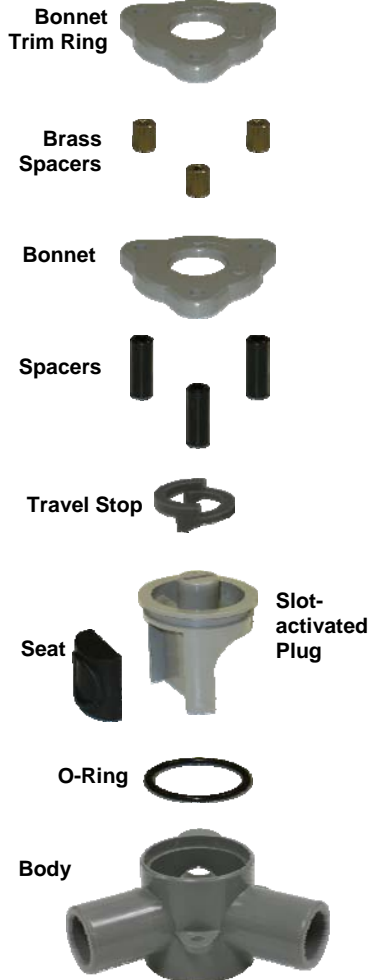
	in	cm
A	1-3/4	4.4
B	4	10.2
C	2-5/8	6.7
D	2-3/8	6.0
E	2-15/16	7.5
F	4	10.2
(Bolt Circle Diam.) G	1-3/4	4.4
H	3-9/16	9.0
Weight	0.45 lb	0.20 kg

Sea-Lect® Y-Valve YV-194D-F



Example: YV-194-F-11-505050

- Sea-Lect Y-Valve
- Model style 194 (Delrin/Gray)
- Flush mounting
- Slot-activated
- Bonnet Trim Ring
- 1" Smooth Hose Connections



Sea-Lect Product	
Option	Code
Y-Valve	YV

Family	
Option	Code
1" Nominal Port Size	194D

Mounting Style	
Option	Code
Flush Mount	F

YV - 194D - F - 1 1 - 50 50 50

Activation	
Option	Code
Screwdriver Slot	1

Trim Ring (Face Plate)	
Option	Code
Bonnet	1
Raw Water / Fresh Water (Black Laminate)	2
Livewell / Washdown (Delrin)	3
Livewell / Washdown (Black Laminate)	4

Hose Connections			
Option	Code		
	Port 1	Port 2	Port 3
1/2" NPT Tapped	31	31	31
1/2" Barbed Adapter	37	37	37
1/2" 90° Barbed Adapter	38	38	38
5/8" Barbed Adapter	27	27	27
5/8" 90° Barbed Adapter	28	28	28
3/4" NPT Threaded	42	42	42
3/4" Barbed Adapter	47	47	47
3/4" 90° Barbed Adapter	48	48	48
1" Smooth	50	50	50