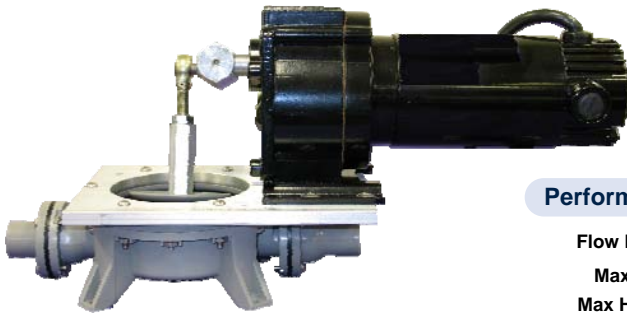




Guzzler® 12 VDC Electric Pump GE-0403D



- 2.5 – 10.3 GPM
- Features 12 VDC motor with optional speeds from 23 – 94 RPM
- Accommodates 1/2" – 1-1/4" hose
- Available with wide variety of hose connections

Specifications / Options

Body & Ports *	Delrin / Gray
Clamp Ring	Aluminum Motor Mounting Plate
Valves *	Flapper, Duckbill, Umbrella
Diaphragm *	Buna-N, Buna-N Double Sided, Neoprene, Viton, EPDM, Silicone
Clevis/Button Assembly *	SS Washer + Aluminum Clevis
Motor	12 VDC 1/6 HP

* in contact with fluid

Available 12 VDC Motors & Performance

Pump Flow Rate ³ (GPM)	Motor Speed ³ (Name-plate RPM)	Full Load Torque (In-Lbs.)	Input HP	Full Load Amps	Max Pressure (psi)	Max Lift ⁴ (ft)	Max Head (ft)
2.5	23	280	1/6	9.4	15	20	25
3.4	31	278	1/6	14.0	15	20	25
5.5	50	183	1/6	14.0	13	20	25
7.0	64	150	1/6	14.0	10	20	23
10.3	94	102	1/6	14.0	7	16	16

³at 0 lift, 0 head

⁴Check valve recommended for lifts above 12 ft.

Performance

Flow Rate	per stroke: 0.44 Qt (0.42L)
Max Lift	20 ft (6.1 m) ^{1,2}
Max Head	25 ft (7.6 m) ¹
Max Pressure	15 psi (1.0 bar) ¹
Max Service Temp	150°F (66°C)

¹ depending on choice of motor
² with a check valve

Available Ports




	in	1/2	3/4	1	1-1/8	1-1/4
	cm	1.27	1.91	2.54	2.86	3.18
Hose (Smooth)			•	S	•	•
NPT Female (Tapped)		•	•			
NPT Male (Threaded)			•	•		
Male Garden Hose (Threaded)			•			
Barbed			•		•	
Female Garden Hose Adapter			•			

S Standard • Optional

Motor Specifications

Motor Type	12VDC, Permanent Magnet
Enclosure	Total Enclosed Non-ventilated
Brushes	Externally replaceable
Rotation	Reversible
Ambient	40°
Thermal Protection	None
Lubrication	Permanent Heavy Fluid Gear Oil
Gears	Hardened Steel
Weight	~12 lbs
Certifications	UL Recognized (E47479)

Valve Options

- Flapper** — General purpose liquid transfer. 
- Duckbill** — For dirty liquid and sewage. Permits mounting in any position. 
- Umbrella** — Most efficient for pumping clean liquid. Also used for air and vacuum service. 



Installation Note: Pump cannot be mounted using pump body mounting feet alone. Motor needs additional support.

Use optional motor support bracket from Bosworth (shown above.) (Part # BR-01)

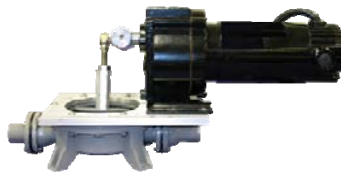


Side view



Top view

Guzzler® 12 VDC Electric Pump GE-0403D



Example: GE-0403D-011-48-5050-PL

- Guzzler Electric Pump
- Model style #0403D: Delrin Body, Opposite Side Ports
- No Variable Speed control option
- Buna-N Flapper Valves
- Buna Diaphragm
- SS Washer & Aluminum Clevis
- Motor Mounting Plate Clamp Ring
- Inlet: 1" Smooth
- Outlet: 1" Smooth
- 12 VDC 64 RPM Motor



Guzzler Product	
Option	Code
Electric Pump	GE

Style (Family)	
Option	Code
Delrin, Opp. Side Ports	0403D

Speed Control	
Option	Code
None	0

Valves	
Option	Code
Flapper (Buna-N)	1
Flapper (White Buna)	2
Flapper (Neoprene)	3
Flapper (Viton)	4
Flapper (EPDM)	5
Duckbill (Buna-N)	6
Umbrella (Silicone)	7

Diaphragm	
Option	Code
Buna Nitrile	1
Buna-N 3-Ply	2
Neoprene	3
Viton	4
EPDM	5
Silicone	7

GE - 0403D - 0 1 1 - 4 8 - 50 50 - PL

Clevis/Button Assembly	
Option	Code
SS Washer & Alum Clevis	4

Clamp Ring	
Option	Code
Motor Mounting Plate	8

Option	Code	
	Inlet	Outlet
1/2" NPT Tapped	31	31
3/4" Smooth	40	40
3/4" NPT Tapped	41	41
3/4" NPT Threaded	42	42
3/4" Barbed	43	43
3/4" Female GH Adapter	45	45
3/4" Male Garden Hose	46	46
1" Smooth	50	50
1" NPT Threaded	52	52
1-1/8" Smooth	60	60
1-1/8" Barbed	63	63
1-1/4" Smooth	70	70

12 VDC Motor	
Option (Speed / Torque)	Code
23 rpm / 280 in-lbs	PC
31 rpm / 278 in-lbs	PE
50 rpm / 183 in-lbs	PG
64 rpm / 150 in-lbs	PL
94 rpm / 102 in-lbs	PS
No Motor	00