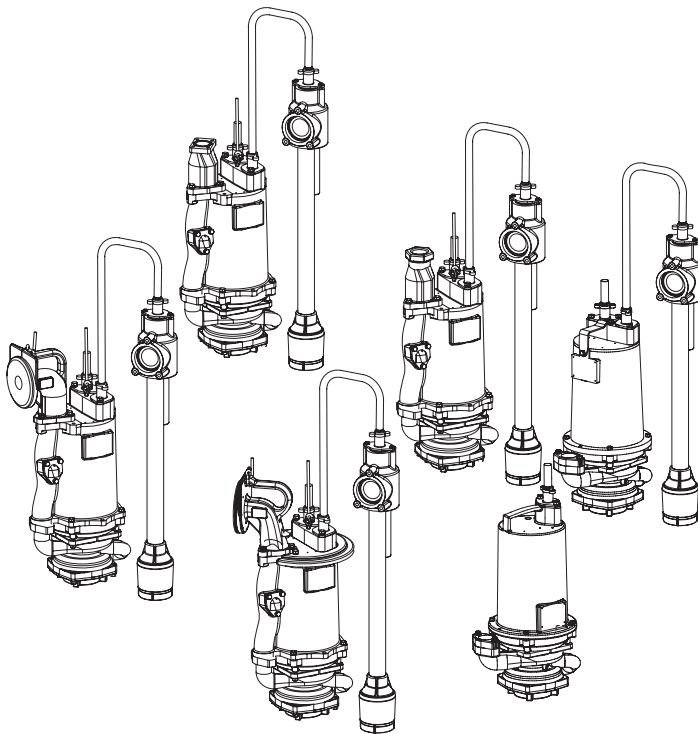




INSTALLATION MANUAL Submersible Two-Stage Grinder Pump



Series: OGP
2 HP, 3450 RPM,
60 Hz.

omni
GRIND[™]
GRINDER PUMPS *plus*⁺

This product may be covered by one or more of the following patents and other patent(s) pending:
US Patent 7,357,341

IMPORTANT!

***Read all instructions in this manual before operating pump.
As a result of Crane Pumps & Systems, Inc., constant product improvement program,
product changes may occur. As such Crane Pumps & Systems reserves the right to
change product without prior written notification.***

CRANE[®]

A Crane Co. Company

PUMPS & SYSTEMS

420 Third Street
Piqua, Ohio 45356
Phone: (937) 778-8947
Fax: (937) 773-7157
www.cranepumps.com

83 West Drive, Bramton
Ontario, Canada L6T 2J6
Phone: (905) 457-6223
Fax: (905) 457-2650



Form No. 119972-Rev. N

SAFETY FIRST!

Please Read This Before Installing Or Operating Pump. This information is provided for **SAFETY and to PREVENT EQUIPMENT PROBLEMS**. To help recognize this information, observe the following symbols:



IMPORTANT! Warns about hazards that can result in personal injury or Indicates factors concerned with assembly, installation, operation, or maintenance which could result in damage to the machine or equipment if ignored.

CAUTION ! Warns about hazards that can or will cause minor personal injury or property damage if ignored. Used with symbols below.

WARNING ! Warns about hazards that can or will cause serious personal injury, death, or major property damage if ignored. Used with symbols below.



Hazardous fluids can cause fire or explosions, burnes or death could result.



Extremely hot - Severe burnes can occur on contact.



Biohazard can cause serious personal injury.



Hazardous fluids can Hazardous pressure, eruptions or explosions could cause personal injury or property damage.



Rotating machinery Amputation or severe laceration can result.



Hazardous voltage can shock, burn or cause death.

Only qualified personnel should install, operate and repair pump. Any wiring of pumps should be performed by a qualified electrician.



WARNING ! - To reduce risk of electrical shock, pumps and control panels must be properly grounded in accordance with the National Electric Code (NEC) or the Canadian Electrical Code (CEC) and all applicable state, province, local codes and ordinances.

WARNING! - To reduce risk of electrical shock, always disconnect the pump from the power source before handling or servicing. Lock out power and tag.

Prevent large articles of clothing, large amounts of chemicals, other materials or substances such as are uncommon in domestic sewage from entering the system.

During power black-outs, minimize water consumption at the home(s) to prevent sewage from backing up into the house.

Always keep the shut-off valve completely open when system is in operation (unless advised otherwise by the proper authorities). Before removing the pump from the basin, be sure to close the shut-off valve. (This prevents backflow from the pressure sewer.)

Keep the control panel locked or confined to prevent unauthorized access to it.

If the pump is idle for long periods of time, it is advisable to start the pump occasionally by adding water to the basin.



CAUTION! Pumps build up heat and pressure during operation-allow time for pumps to cool before handling or servicing.



WARNING! - **DO NOT** pump hazardous materials (flammable, caustic, etc.) unless the pump is specifically designed and designated to handle them.

Do not block or restrict discharge hose, as discharge hose may whip under pressure.



WARNING! - **DO NOT** wear loose clothing that may become entangled in the impeller or other moving parts.

WARNING! - Keep clear of suction and discharge openings. **DO NOT** insert fingers in pump with power connected.

Make sure lifting handles are securely fastened each time before lifting. Do not operate pump without safety devices in place. Always replace safety devices that have been removed during service or repair.

Do not exceed manufacturers recommendation for maximum performance, as this could cause the motor to overheat.

Secure the pump in its operating position so it can not tip over, fall or slide.

Cable should be protected at all times to avoid punctures, cut, bruises and abrasions - inspect frequently.



Never handle connected power cords with wet hands.

To reduce risk of electrical shock, all wiring and junction connections should be made per the NEC or CEC and applicable state or province and local codes. Requirements may vary depending on usage and location.



Submersible Pumps are not approved for use in swimming pools, recreational water installations, decorative fountains or any installation where human contact with the pumped fluid is common.

Do not remove cord and strain relief. Do not connect conduit to pump.



Products Returned Must Be Cleaned, Sanitized, Or Decontaminated As Necessary Prior To Shipment, To Insure That Employees Will Not Be Exposed To Health Hazards In Handling Said Material. All Applicable Laws And Regulations Shall Apply.

Bronze/brass and bronze/brass fitted pumps may contain lead levels higher than considered safe for potable water systems. Lead is known to cause cancer and birth defects or other reproductive harm. Various government agencies have determined that leaded copper alloys should not be used in potable water applications. For non-leaded copper alloy materials of construction, please contact factory.



IMPORTANT! - Crane Pumps & Systems, Inc. is not responsible for losses, injury, or death resulting from a failure to observe these safety precautions, misuse or abuse of pumps or equipment.

Other brand and product names are trademarks or registered trademarks of their respective holders.

© Barnes is a registered trademark of Crane Pumps & Systems Inc.

2003, 5/04, 4/05, 12/05, 1/06, 9/06, 11/06, 2/07, 4/07

Replacement Core Unit

200/2000 Series Basins

BARNES®



USER GUIDE

Congratulations on your purchase of a Barnes grinder pump system. With proper care and by following a few simple guidelines your grinder pump will give you many years of dependable service.

Use and Care

The grinder pump station is designed to handle routine, domestic sewage. Solid waste materials should be thrown in the trash. While your station is capable of accepting and pumping a wide range of materials, regulatory agencies advise that the following items should not be introduced into any sewer either directly or through a kitchen waste disposal:

- Glass
- Metal
- Diapers
- Socks, rags or cloth
- Plastic objects (e.g., toys, utensils, etc.)
- Sanitary napkins or tampons

In addition you must **NEVER** introduce into any sewer:

- Explosives
- Flammable Material
- Lubricating Oil and/or Grease
- Strong Chemicals
- Gasoline

General Information

Your home wastewater disposal service is part of a low pressure sewer system. The key element in this system is the Barnes grinder pump station. The basin collects all wastewater from the house. The solids in the sewage are then ground to a small size suitable for pumping in the slurry.



GRINDER PUMP SYSTEMS

The grinder pump generates sufficient pressure to pump this slurry from your home to the wastewater plant.

Power Failure

Your grinder pump cannot dispose of wastewater or provide an alarm signal without electrical power. If electrical power service is interrupted, keep water usage to a minimum.

Warranty

Your grinder pump is furnished with a warranty against defects in material or workmanship. A properly completed

Start-Up/Warranty Registration form must be on file at the Barnes factory in order to activate your warranty. In addition your pump must be installed in accordance with the installation instructions.

If you have a claim under the provisions of the warranty, contact your local Barnes Distributor.

When contacting your representative for service, please include your station serial number, pump model number, and pump serial number.

For future reference, record the following information:

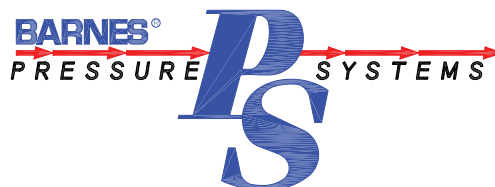
Station Serial No: _____

Pump Model No: _____

Pump Serial No: _____

Local Distributor: _____

Distributor Telephone: _____



PUMP SPECIFICATIONS:

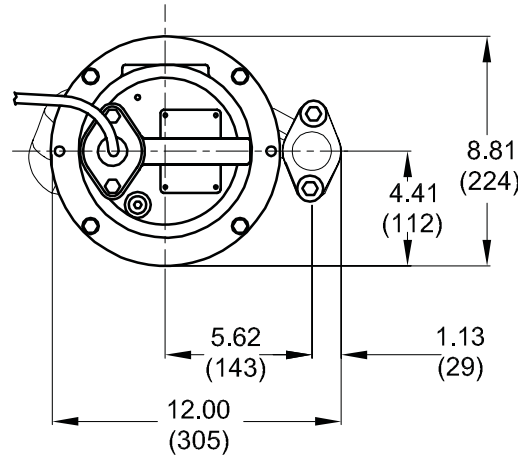
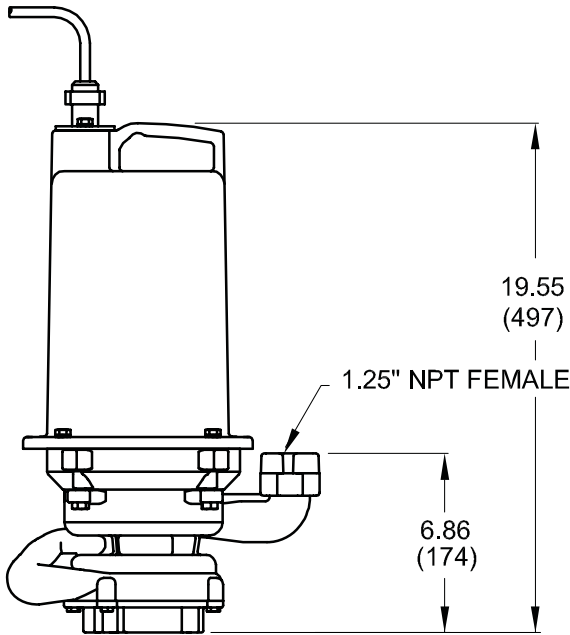
DISCHARGE 1½" NPT, Vertical, Bolt-on Flange
LIQUID TEMPERATURE 104°F (40°C) Continuous
MOTOR HOUSING Cast Iron ASTM A-48, Class 30
VOLUTE Cast Iron ASTM A-48, Class 30
SEAL PLATE Cast Iron ASTM A-48, Class 30
IMPELLERS
 Design 12 vane, vortex, with pump out vanes on back side. Dynamically balanced, ISO G6.3
 Material 85-5-5 Bronze
SHREDDING RING Hardened 440C Stainless Steel Rockwell® C-55
CUTTER Hardened 440C Stainless Steel Rockwell® C-55
SHAFT 416 Stainless Steel
SQUARE RING Buna-N
HARDWARE 300 Series Stainless Steel
PAINT Air dry enamel, top coat
SEAL *Design* Single Mechanical, oil filled reservoir
 Material Rotating Faces - Silicon-Carbide
 Stationary Faces - Silicon-Carbide
 Elastomer - Buna-N
 Hardware - 300 series stainless steel
CORD ENTRY 30 Ft. (9.1m); 15 Ft. (4.5m) Cord on, Compact series (CC, CE, CO, CT)
 Custom Molded Quick Connected for sealing and strain relief
CORD CSA/UL Approved 12/3 and 12/5 Type SOW

SPEED 3450 RPM, 60Hz
UPPER BEARING:
 Design Single Row, Angular Contact Ball
 Lubrication Oil
 Load Radial & Thrust
LOWER BEARING
 Design Single Row, Angular Contact Ball
 Lubrication Oil
 Load Radia & Thrust
MOTOR *Design* NEMA L, Oil Filled, Squirrel Cage Induction
 Insulation Class F
SINGLE PHASE Capacitor start/capacitor run
LEVEL CONTROLS: *AUE, CE, CO, CC & CT*
 Series **SOLD SEPARATELY**, Model ESPS-150™ or ESPS-150e™, Environmentally sealed pressure switch with CPVC housing, Buna diaphragm, Custom Molded Quick Connect for Sealing and Strain Relief
OPTIONAL EQUIPMENT Additional Cord, Moveable Fitting

ESPS Level Control Sold Separately

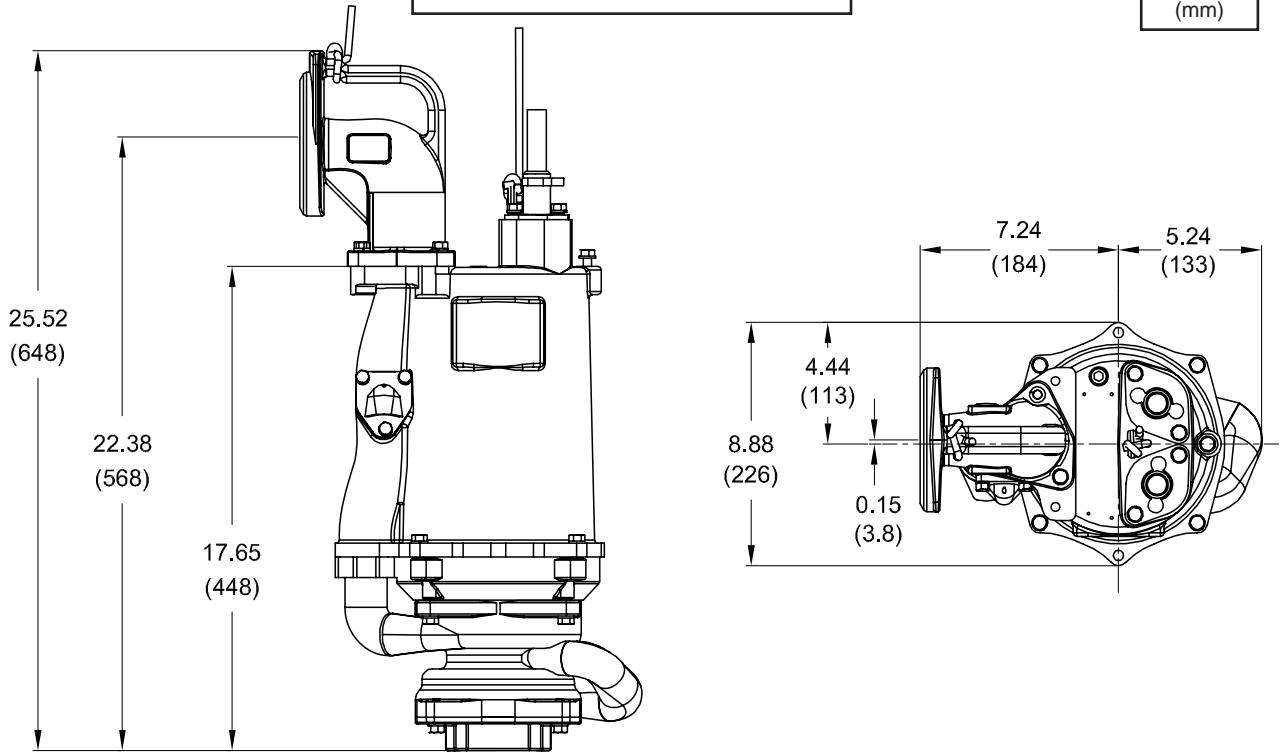
OGP2022L

inches
(mm)

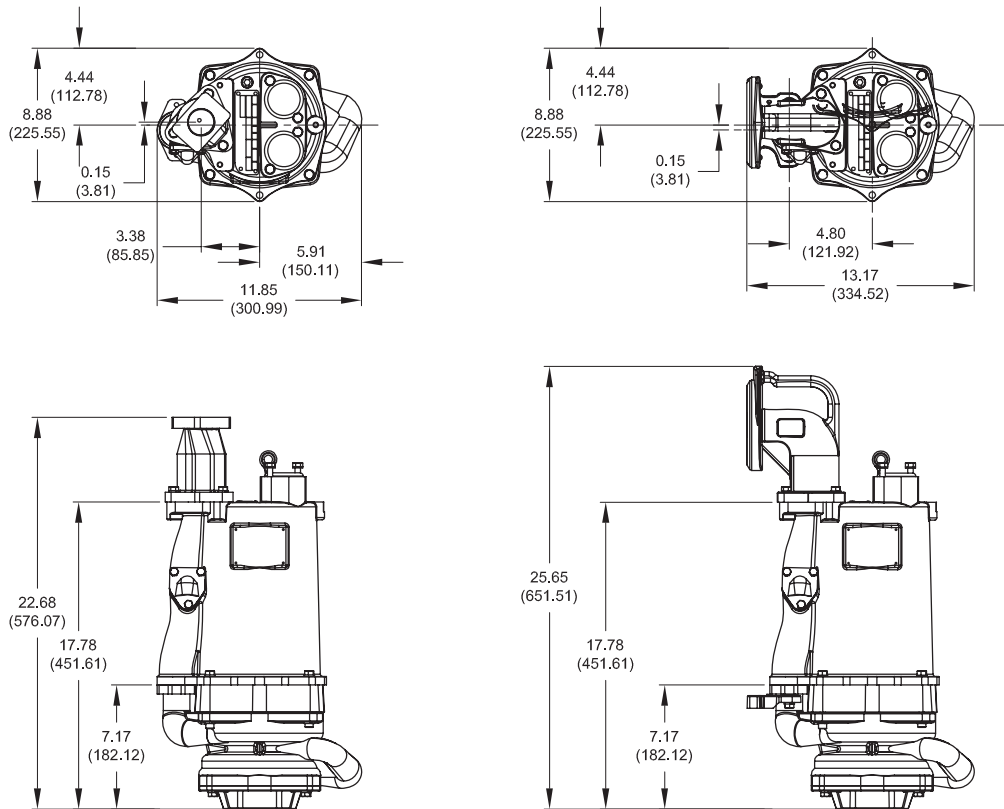


OGP2022CC - For "C" Channel

inches
(mm)

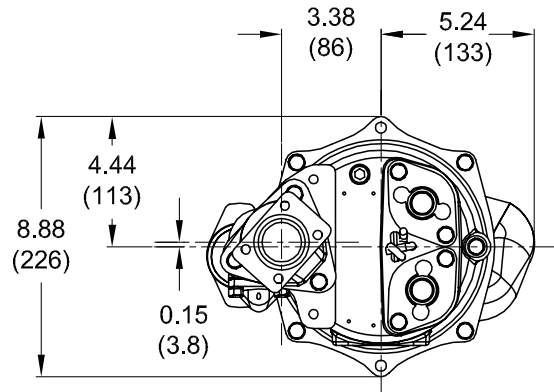
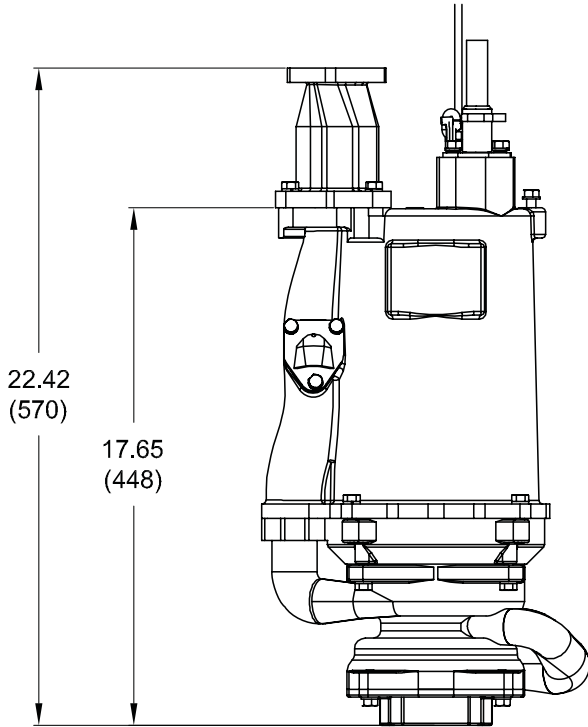


OGP2022CE - For EcoTRAN™

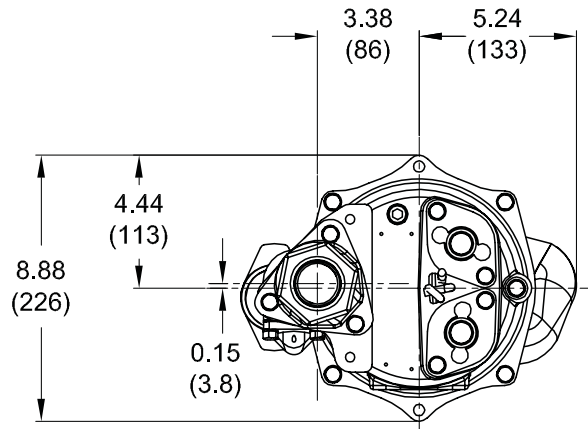
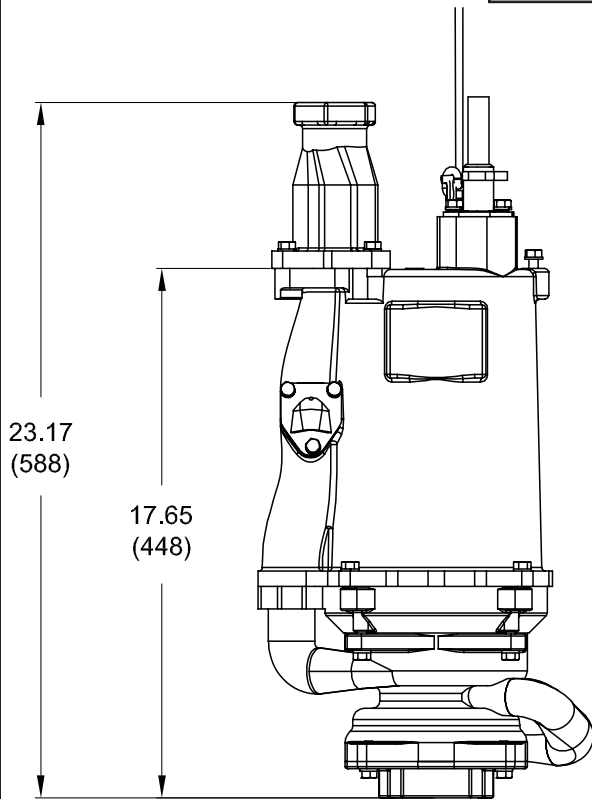


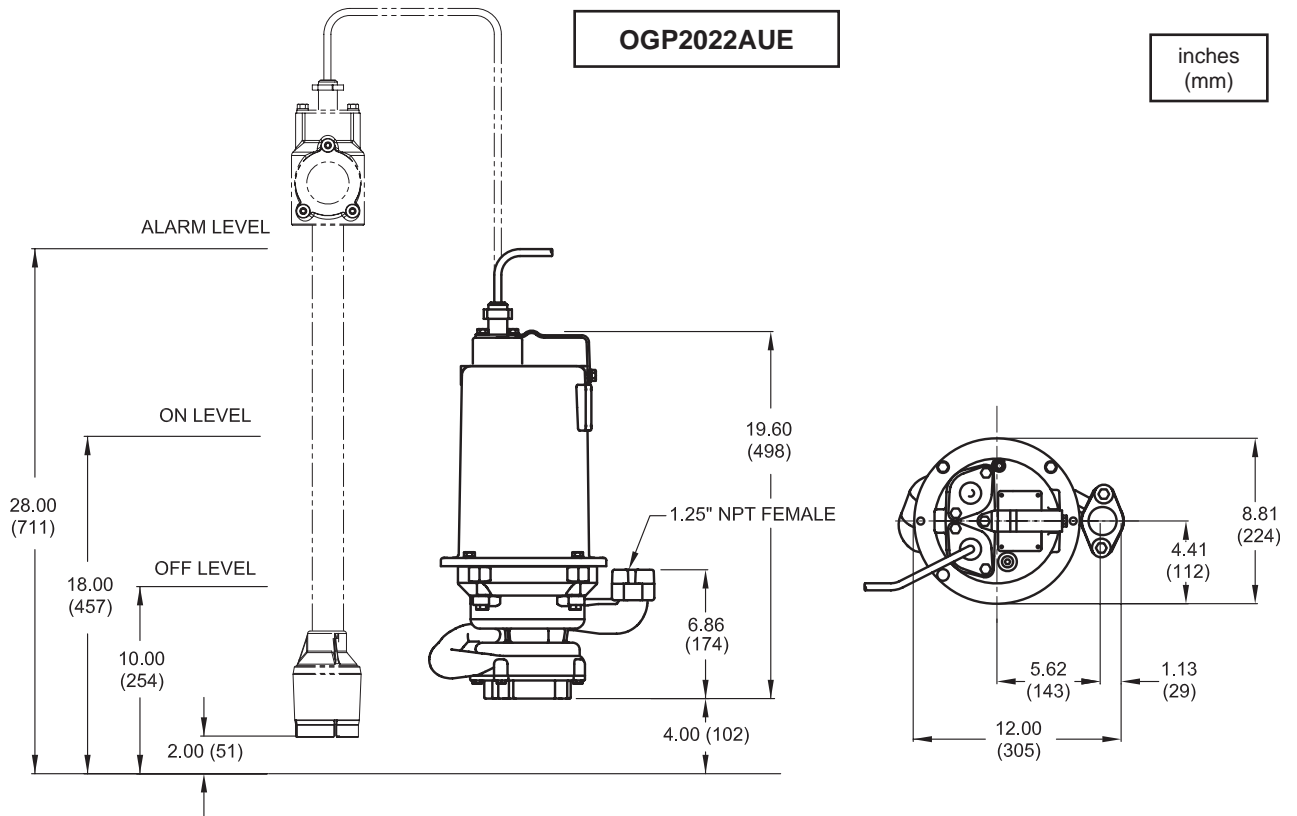
OGP2022CO - For Replacement Core Unit

inches
(mm)



OGP2022CT - Threaded



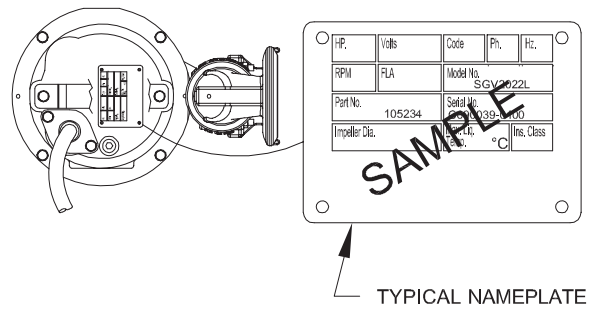
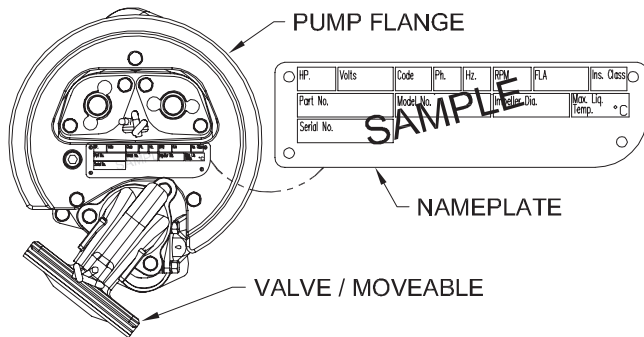


MODEL NO	HP	VOLT	PH	NEMA START CODE	FULL LOAD AMPS	LOCKED ROTOR AMPS	CORD SIZE	CODE TYPE	CORD O.D. ± .02 (.5) in (mm)	CORD LENGTH Ft. (m)	WINDING RESISTANCE MAIN -- START
OGP2022L	2	240	1	H	16.5	53.8	12/3	SOW	.61 (15.5)	15 (4.6)	1.06 -- 3.60
OGP2022AUE	2	240	1	H	16.5	53.8	12/5	SOW	.71 (15.5)	15 (4.6)	1.06 -- 3.60
OGP2022CC	2	240	1	H	16.5	53.8	12/5	SOW	.71 (15.5)	15 (4.6)	1.06 -- 3.60
OGP2022CE	2	240	1	H	16.5	53.8	12/5	SOW	.71 (15.5)	15 (4.6)	1.06 -- 3.60
OGP2022CO	2	240	1	H	16.5	53.8	12/5	SOW	.71 (15.5)	15 (4.6)	1.06 -- 3.60
OGP2022CT	2	240	1	H	16.5	53.8	12/5	SOW	.71 (15.5)	15 (4.6)	1.06 -- 3.60

Winding Resistance ± 5%, measured from terminal block.
 Pump rated for operation at ± 10% voltage at motor.

Recommended Breaker Sizes				
Pump Model	HP	Phase	Volts	Breaker Size
OGP2022L	2	1	240	25 AMP
OGP2022AUE	2	1	240	25 AMP
OGP2022CC	2	1	240	25 AMP
OGP2022CE	2	1	240	25 AMP
OGP2022CO	2	1	240	25 AMP
OGP2022CT	2	1	240	25 AMP

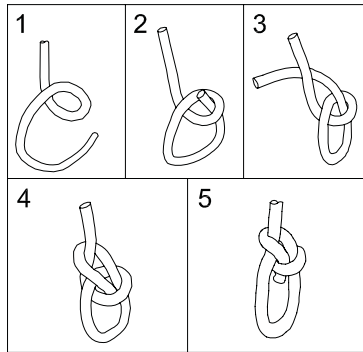
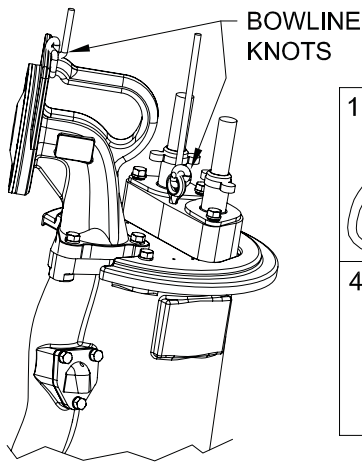
The nameplate is located on top of the pump. This contains the pumps part number, horsepower voltage, phase, and serial number, as well as other information. The start-up form located in the back of this manual contains a place to record this data. The information should be recorded now so the pump does not have to be pulled again later. The start-up form can be left in the control panel until station start-up is completed later.



OGP2022CC, CE, CO, CT

OGP2022L

NOTE: For any reason the Flange Support on the OGP2022CE units is removed or replaced, be shure not to loose Name plate, or re-attached to new support.



Tie the bowline knot where shown per the directions provided (Steps 1 through 5).

On the CC and CE series, tie one bowline knot on the handle of the moveable fitting and one bowline knot in the eyebolt on the pump (See Fig 1).

On the CO and CT (Not Shown) series tie bowline knot on the eyebolt.

On the L series tie bowline knot on the lifting handle. (See Fig 2).

FIGURE 1

ATTACH LIFTING DEVICE
CAUTION: NEVER LOWER OR RAISE PUMP BY CORD!

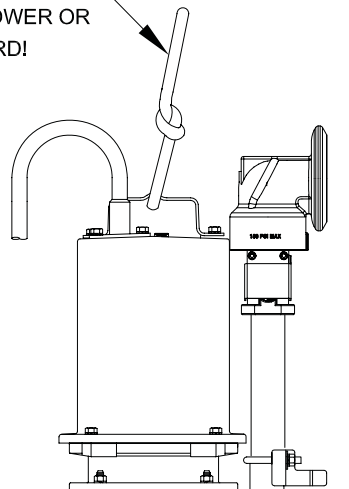


FIGURE 2

RECEIVING/UNPACKING:

Upon receiving the pump, it should be inspected for damage or shortages. If damage has occurred, file a claim immediately with the company that delivered the pump. Unpack pump and record pump serial and model number before installing. If the manual is removed from the packaging, do not lose or misplace.

STORAGE:

Short Term- For best results, pumps can be retained in storage, as factory assembled, in a dry atmosphere with constant temperatures for up to six (6) months.

Long Term- Any length of time exceeding six (6) months, but not more than twenty-four (24) months. The units should be stored in a temperature controlled area, a roofed over walled enclosure that provides protection from the elements (rain, snow, wind-blown dust, etc.), and whose temperature can be maintained between +40 deg. F and +120 deg. F. If extended high humidity is expected to be a problem, all exposed parts should be inspected before storage and all surfaces that have the paint scratched, damaged, or worn should be recoated with a air dry enamel paint. All surfaces should then be sprayed with a rust-inhibiting oil.

Pump should be stored in its original shipping container. On initial start up, rotate impeller by hand to assure seal and impeller rotate freely. If it is required that the pump be installed and tested before the long term storage begins, such installation will be allowed provided:

- 1.) The pump is not installed under water for more than one (1) month.
- 2.) Immediately upon satisfactory completion of the test, the pump is removed, thoroughly dried, repacked in the original shipping container, and placed in a temperature controlled storage area.
- 3.) Before placing pump into service, pump should be brought to operational temperature range. Excessive or direct heating or cooling should **NOT** be used.

OPERATION TEMPERATURE RANGE: +35°F (2°C) to 104°F (40°C).

SERVICE CENTERS:

For the location of the nearest Barnes Service Center, check your Barnes representative or Crane Pumps & Systems, Inc., Service Department in Piqua, Ohio, telephone (937) 778-8947 or in Brampton, Ontario, Canada (905) 457-6223.

INSTALLATION:

Location - The pump is designed to fit into your basin either by sliding down the rail assembly, suspended from the cover or by being mounted on a pump base.

THIS PUMP MUST BE INSTALLED WITH A MINIMUM OF 3 INCHES AND A MAXIMUM OF 4.5 INCHES OF CLEARANCE UNDER THE PUMP FOR THE ENTRANCE OF SEWAGE SOLIDS.

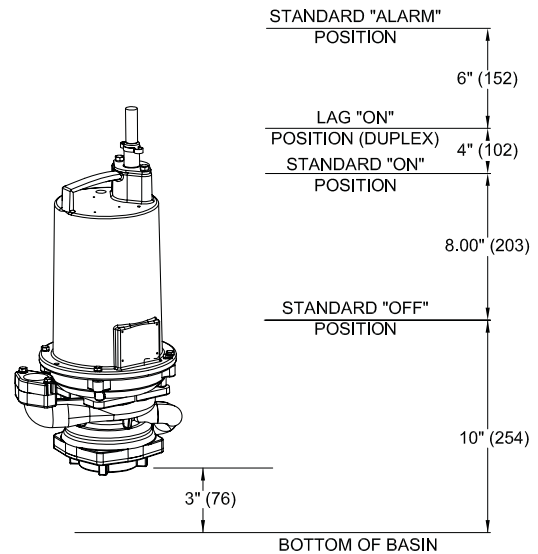


FIGURE 3 - L Series (For Automatic see Level Control manual)

Discharge - Assemble discharge piping or hose assembly (whichever is required by your application), to the pump. Discharge piping should be as short as possible. Both a check valve and a shut-off valve are required for each pump being used. The check valve is used to prevent backflow into the sump. Excessive backflow can cause flooding and/or damage to the pump. The shut-off valve is used to stop system flow during pump or check valve servicing.

Package Systems- Refer to manual supplied with basin package system.

ELECTRICAL CONNECTIONS:

Pump Cables - The cord assembly mounted to the pump must **NOT** be modified in any way except for shortening to a specific application. Any splice between the pump and the control panel must be made in accordance with the National Electric Code or the Canadian Electric Code and all applicable state, province and local electric codes. It is recommended that a junction box, be mounted outside the sump or be of at least Nema 4 (EEMAC-4) construction if located within the wet well. **DO NOT USE THE POWER OR CONTROL CABLES TO LIFT PUMP!**

Overload Protection - The type of in-winding overload protector used is referred to as an inherent overheating protector and operates on the combined effect of temperature and current. This means that the overload protector will trip out and shut the pump off if the windings become too hot, or the load current becomes too high. It will then automatically reset and start the pump after the motor cools to a safe temperature. In the event of an overload, the source of this condition should be determined and rectified immediately. **DO NOT LET THE PUMP CYCLE OR RUN IF AN OVERLOAD CONDITION OCCURS !**

Wire Size - If additional cable is required consult a qualified electrician for proper wire size.

CABLE CONNECTIONS:

Power/Control Cable- Insert female end of cable plug into housing bore aligning alignment mark with hole in terminal block see Figures 4 & 5. Tighten bolts on compression flange until flush with motor housing.

Pump Power - Large Pin
Level Control - Small Pin

Level control cord has molded fitting at both ends of the cord. Install one end to the Pump and the other end to the Level Control.

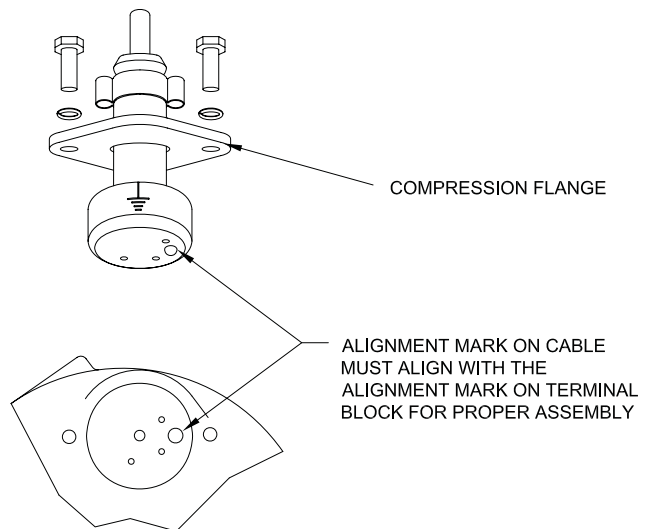
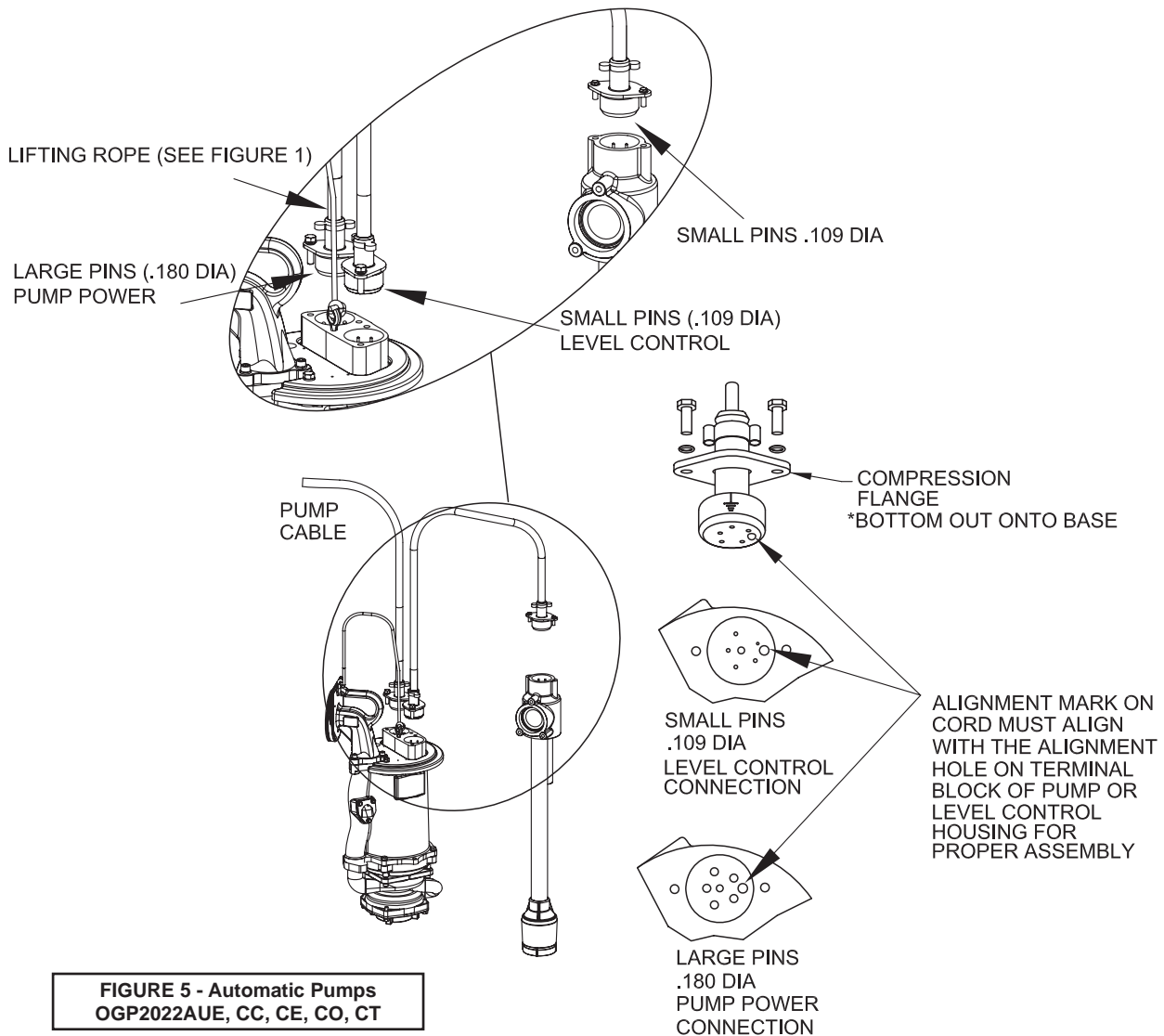


FIGURE 4 -OGP2022L



**FIGURE 5 - Automatic Pumps
OGP2022AUE, CC, CE, CO, CT**

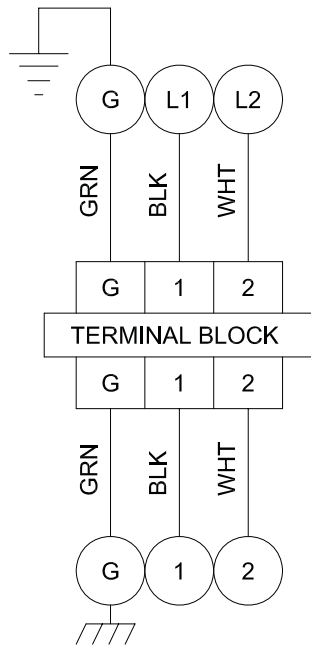


FIGURE 6

Single phase 240 Volt AC, 60Hz
"L" Series, 12/3 SOW

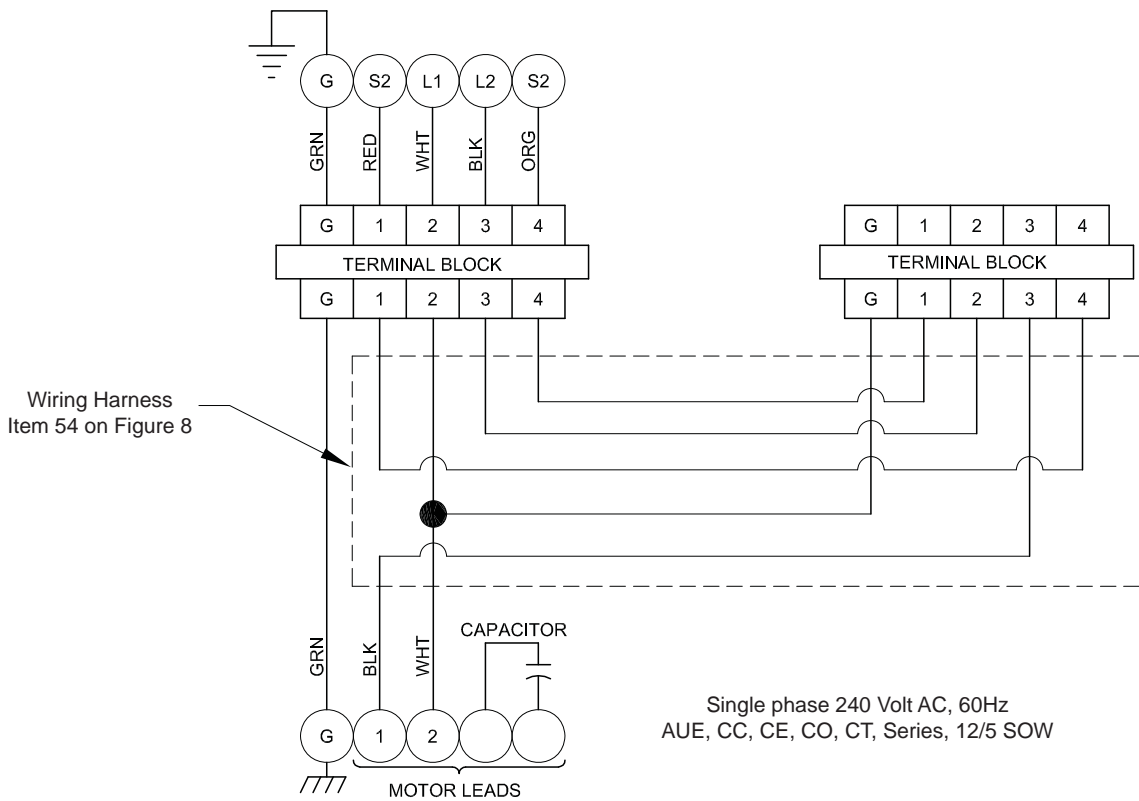


FIGURE 7

Single phase 240 Volt AC, 60Hz
AUE, CC, CE, CO, CT, Series, 12/5 SOW

TROUBLE SHOOTING

CAUTION ! Always disconnect the pump from the electrical power source before handling.
 If the system fails to operate properly, carefully read instructions and perform maintenance recommendations.
 If operating problems persist, the following chart may be of assistance in identifying and correcting them:
 MATCH "CAUSE" NUMBER WITH CORRELATING "CORRECTION" NUMBER.

NOTE: Not all problems and corrections will apply to each pump model.

PROBLEM	CAUSE	CORRECTION
Pump will not run	<ol style="list-style-type: none"> 1. Poor electrical connection, blown fuse, tripped breaker or other interruption of power, improper power supply. 2. Motor or switch inoperative (to isolate cause, go to manual operation of pump). <ol style="list-style-type: none"> 2a. Float movement restricted. 2b. Switch will not activate pump or is defective. 2c. Insufficient liquid level. 2d. Switch is unable to activate 	<ol style="list-style-type: none"> 1. Check all electrical connections for security. Have electrician measure current in motor leads, if current is within $\pm 20\%$ of locked rotor Amps, impeller is probably locked. If current is 0, overload may be tripped. Remove power, allow pump to cool, then recheck current. 2a. Reposition pump or clean basin as required to provide adequate clearance for float.
Pump will not turn off	<ol style="list-style-type: none"> 2a. Float movement restricted. 2b. Switch will not activate pump or is defective. 4. Excessive inflow or pump not properly sized for application. 9. Pump may be airlocked. 14. H-O-A switch on panel is in "HAND" position 	<ol style="list-style-type: none"> 2b. Disconnect level control. Set ohmmeter for a low range, such as 100 ohms full scale and connect to level control leads. Actuate level control manually and check to see that ohmmeter shows zero ohms for closed switch and full scale for open switch. (Float Switch). 3a. Make sure liquid level is at least equal to suggested turn-on point. 3b. Rotate ESPS level control in horizontal position.
Pump hums but does not run	<ol style="list-style-type: none"> 1. Incorrect voltage 8. Cutter jammed or loose on shaft, worn or damaged, inlet plugged. 	<ol style="list-style-type: none"> 4. Recheck all sizing calculations to determine proper pump size.
Pump delivers insufficient capacity	<ol style="list-style-type: none"> 1. Incorrect voltage. 4. Excessive inflow or pump not properly sized for application. 5. Discharge restricted. 6. Check valve stuck closed or installed backwards. 7. Shut-off valve closed. 8. Cutter jammed or loose on shaft, worn or damaged, inlet plugged. 9. Pump may be airlocked. 10. Pump stator damaged/torn. 	<ol style="list-style-type: none"> 5. Check discharge line for restrictions, including ice if line passes through or into cold areas. 6. Remove and examine check valve for proper installation and freedom of operation. 7. Open valve. 8. Check cutter for freedom of operation, security and condition. Clean cutter and inlet of any obstruction. 9. Loosen union slightly to allow trapped air to escape. Verify that turn-off level of switch is set so that the suction is always flooded. Clean vent hole.
Pump cycles too frequently or runs periodically when fixtures are not in use	<ol style="list-style-type: none"> 6. Check valve stuck closed or installed backwards. 11. Fixtures are leaking. 15. Ground water entering basin. 	<ol style="list-style-type: none"> 10. Remove & examine for damage. Replace pump stator if required. 11. Repair fixtures as required to eliminate leakage.
Pump shuts off and turns on independent of switch, (trips thermal overload protector). CAUTION! Pump may start unexpectedly. Disconnect power supply.	<ol style="list-style-type: none"> 1. Incorrect voltage. 4. Excessive inflow or pump not properly sized for application. 8. Cutter jammed, loose on shaft, worn or damaged, inlet plugged. 12. Excessive water temperature. 	<ol style="list-style-type: none"> 12. Check pump temperature limits & fluid temperature. 13. Replace portion of discharge pipe with flexible connector. 14. Turn to automatic position.
Pump operates noisily or vibrates excessively	<ol style="list-style-type: none"> 4. Operating at too high a pressure. 5. Discharge restricted. 8. Cutter broken. 13. Piping attachments to building structure too rigid or too loose. 	<ol style="list-style-type: none"> 15. Check for leaks around basin inlet and outlets.

Compact Series - CC, CE, CO, CT

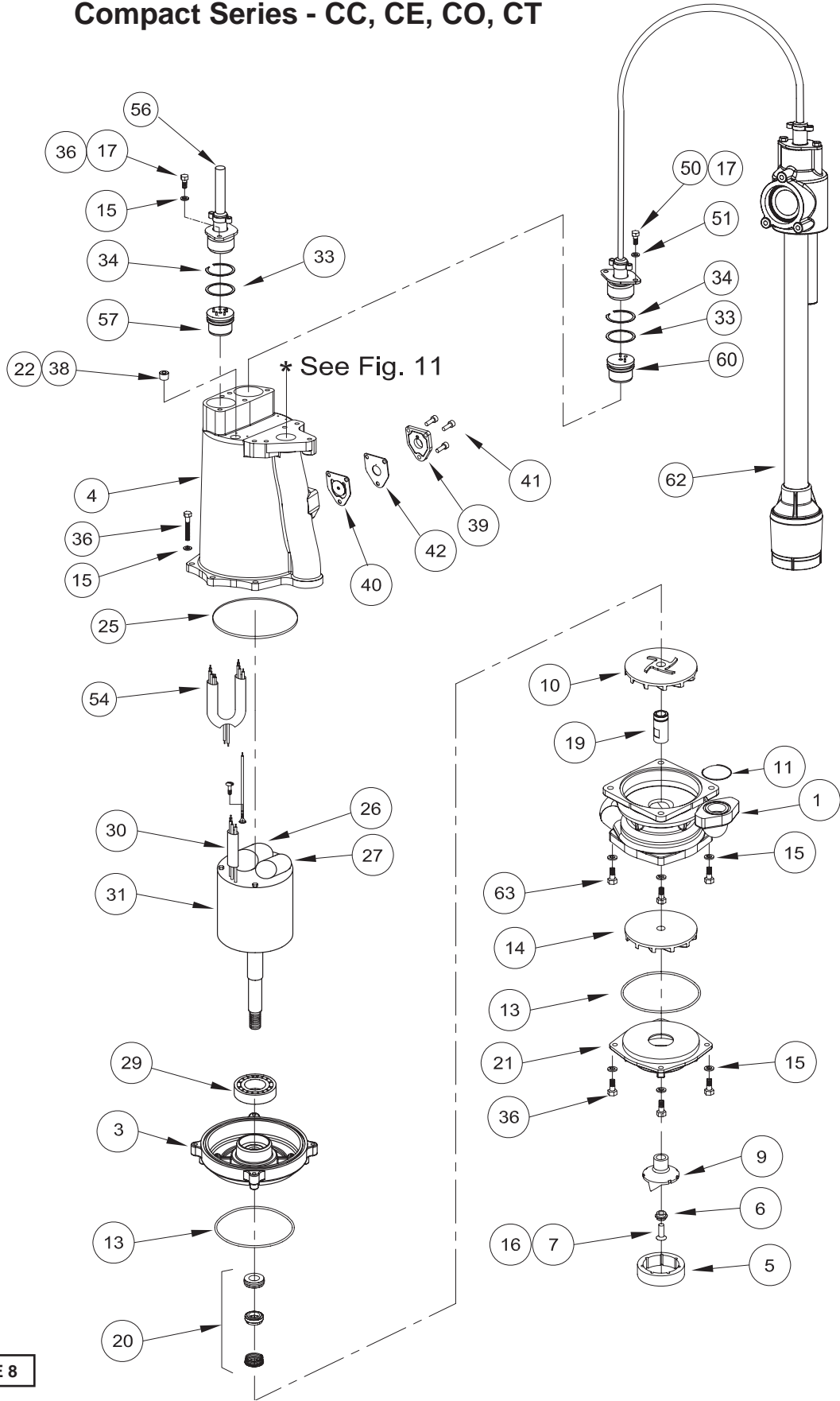


FIGURE 8

Standard Series - L & AUE

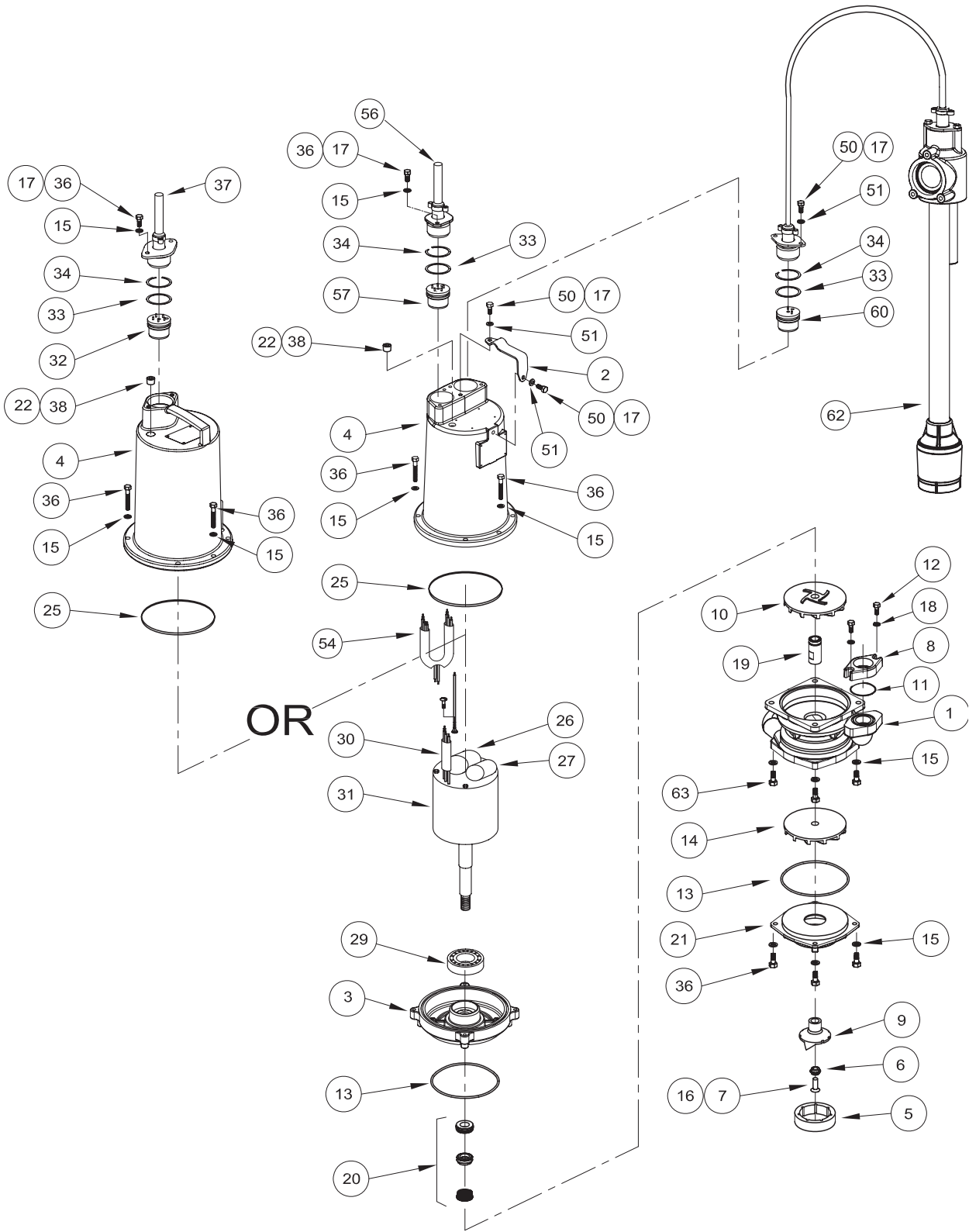


FIGURE 9

PARTS KITS

Seal Repair Kit P/N: 116664 Item #'s: 6, 7, 13, 15, 20, 25, 33, 36, 38

Overhaul Kit P/N: 116665 116664 Item #'s: 9, 26, 27, 28, 29, 34

Cutter Kit P/N: 116666 Item #'s: 5, 6, 7, 9, 13, 15, 36

PARTS LIST

ITEM	QTY	PART NO.	DESCRIPTION
1	1	115321 115321A	Volute (L & AU) Volute (CC, CE, CO, CT)
2	1	110331	Handle (AUE)
3	1	115322	Seal Plate
4	1	108342 110328 118256	Motor Housing (L) Motor Housing (AUE) Motor Housing (CC, CE, CO, CT)
5	1	082085B	Shredding Ring
6	1	067556	Washer
7	1	070704	Skhd Screw, 1/4-20 x .75" SS
8	1	108369 †	Discharge Flange 1-1/4" NPT
9	1	082088	Radial Cutter
10	1	115324	Impeller, Second Stage
11	1	625-01558	O-Ring (-223)
12	2	1-131-1 †	Screw, 5/16-18 x 1.25" SS
13	2	067567	Square Ring
14	1	115323	Impeller, First Stage
15	14	026322	Lockwasher, 5/16" SS
16	A/R	-----	LOCTITE™ RC609
17	A/R	-----	LOCTITE 242
18	2	062941 †	5/16" Flatwasher
19	1	115325	Spacer Sleeve
20	1	110395SD	Seal, Silicon-Carbide (STD)
21	1	115326	Suction Cover
22	A/R	-----	Permatex Sealent 2C
24	90 oz	029034	Cooling Oil - Mtr. Housing
25	1	095368	Square Ring
26	1	036391	Capacitor, Run
27	1	099198	Capacitor, Start
28	1	116658	Ball Bearing, Upper (Not Shown)
29	1	116659	Ball Bearing, Lower
30	1 or 2	625-02117	Sleeve
31	1	115327A	Motor, 2HP, 240 Volt, 1 Phase (Includes items 26 thru 29)
32	1	103760	Terminal Block, Power, Manual
33	1 or 2	2-31051-224	O-Ring
34	1 or 2	105197	Retaining Ring
36	14	1-156-1	Screw, 5/16-18 x 1.00" SS
37	1	109498XC 109498	12/3 Cord Set, 30Ft (STD) 12/3 Cord Set, 15Ft (Compact)
38	1	014270	Pipe Plug, C'sunk, 3/8" NPT
39	1	119104B	Anti-Siphon Cover

ITEM	QTY	PART NO.	DESCRIPTION
40	1	112422	Gasket
41	3	03121-B	HXHD Screw 1/4-20 x .75" SS
42	1	105377B	Anti-Siphon Cover Plate
* Models with ESPS Level Control			
50	4	1-156-1	Screw, 5/16-18 x .1" SS
51	4	026322	Lockwasher, 5/16" SS
54	2	113287	Wiring Harness Assy
56	1	113274XC 113274 EcoTRAN	Cord Set (AUE), 30 Ft Cord Set (CC, CT, CE), 15 Ft Cord Set (CE-See man.119061)
57	1	113271	Terminal Block, Power
60	1	113272	Terminal Block, Level Control (AU - series)
62	1	121676-M 119068	ESPS-150 Level Control CE Only
63	4	2-23030-50	SkHd Screw 5/16-18 x 1.25"

Contact your local Distributor or the Factory for other cord lengths and other optional equipment.

(*) Automatic - ESPS Level Control

(†) L Series ONLY. NOT USED ON CC, CE, CO, CT

**MOVEABLE ASSEMBLY P/N: 116596* (OGP-L) & 116597* (OGP-AU) PARTS LIST
For Grinder, "C" Channel Basin Package**

ITEM	QTY.	PART No.	DESCRIPTION
1	1	112354	Check Valve/Upper Moveable
2	1	116605 116606	Upper Pump Bracket Assy - OGP Upper Pump Bracket Assy - OGP-AU
3	1	102174	Pipe Nipple
4	1	107360	Lower Guide Bracket Assy

(*) Pump **NOT** included under this part number. The Moveable Assembly will be factory assembled to pump when a Basin Package System is ordered.

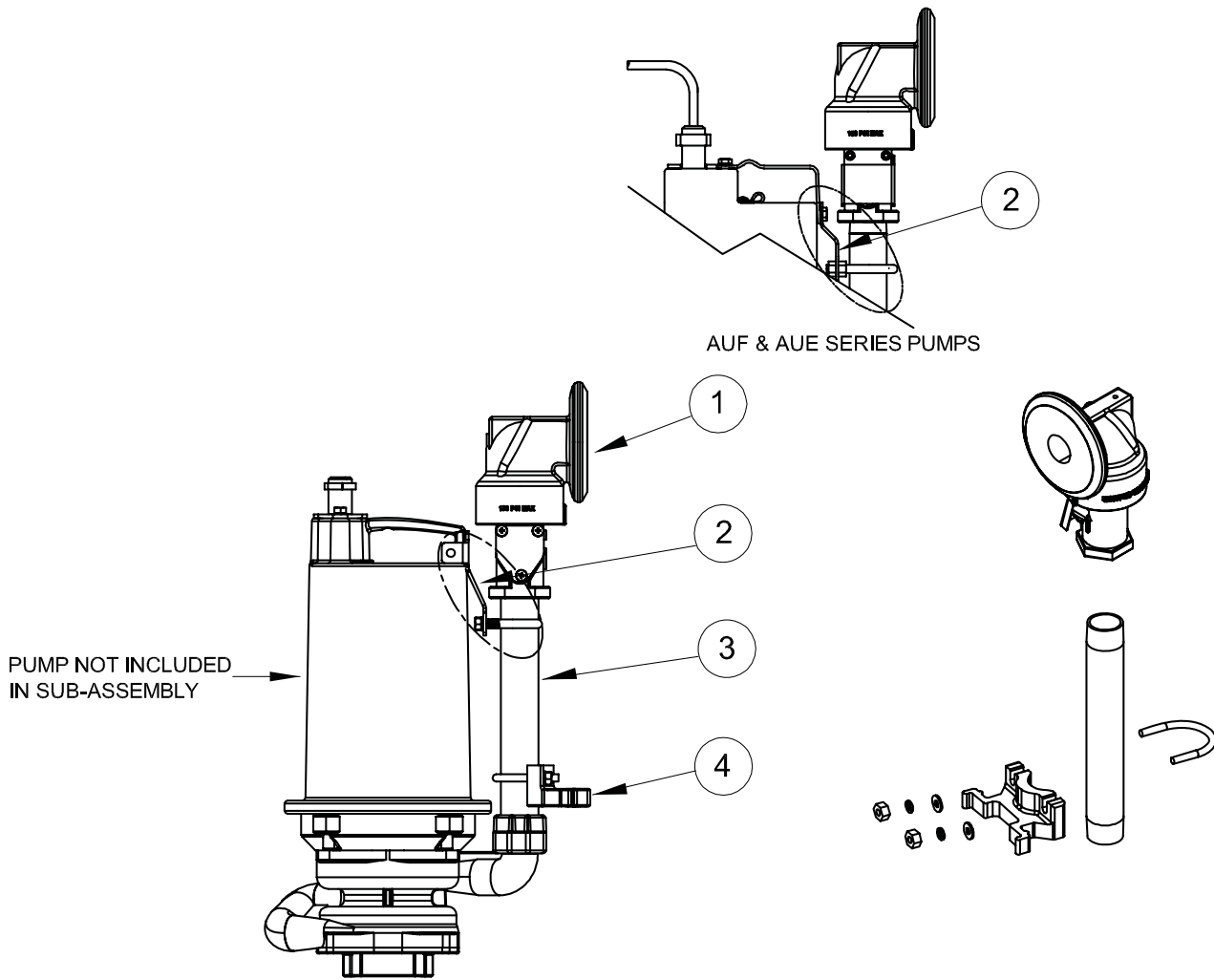


FIGURE 10

DISCHARGE ASSEMBLIES for CC, CE, CO & CT Grinder Pumps

ITEM	QTY.	PART No.	DESCRIPTION
1	1	121225	O-ring, 4mm
2	1	122891	Valve Seat Flapper, Valox
3	1	118252	Gasket
4	1	124538	Lower Guide Bracket
5	2	027113	HXHD Screw, 5/16-18 x .875"
6	3 or 5	026322	Lock Washer 5/16 SS
7A	1	120896	Valve Body (CC)
7B	1	118250	Valve Body (CE)
7C	1	118794	Valve Body (CO)
7D	1	118794 NPT	Valve Body (CT)
8	1	625-01558	O-Ring, -223, 1.609"
9	1	119854	Diaphragm
10	1	118248	Diaphragm Retaining Plate
11	8	118267	FHHS Screw #10-32 x .75" SS
12	3	2-23030-50	SkHd Screw 5/16-18 x 1.25"

The Discharge Assembly will be factory assembled to pump.

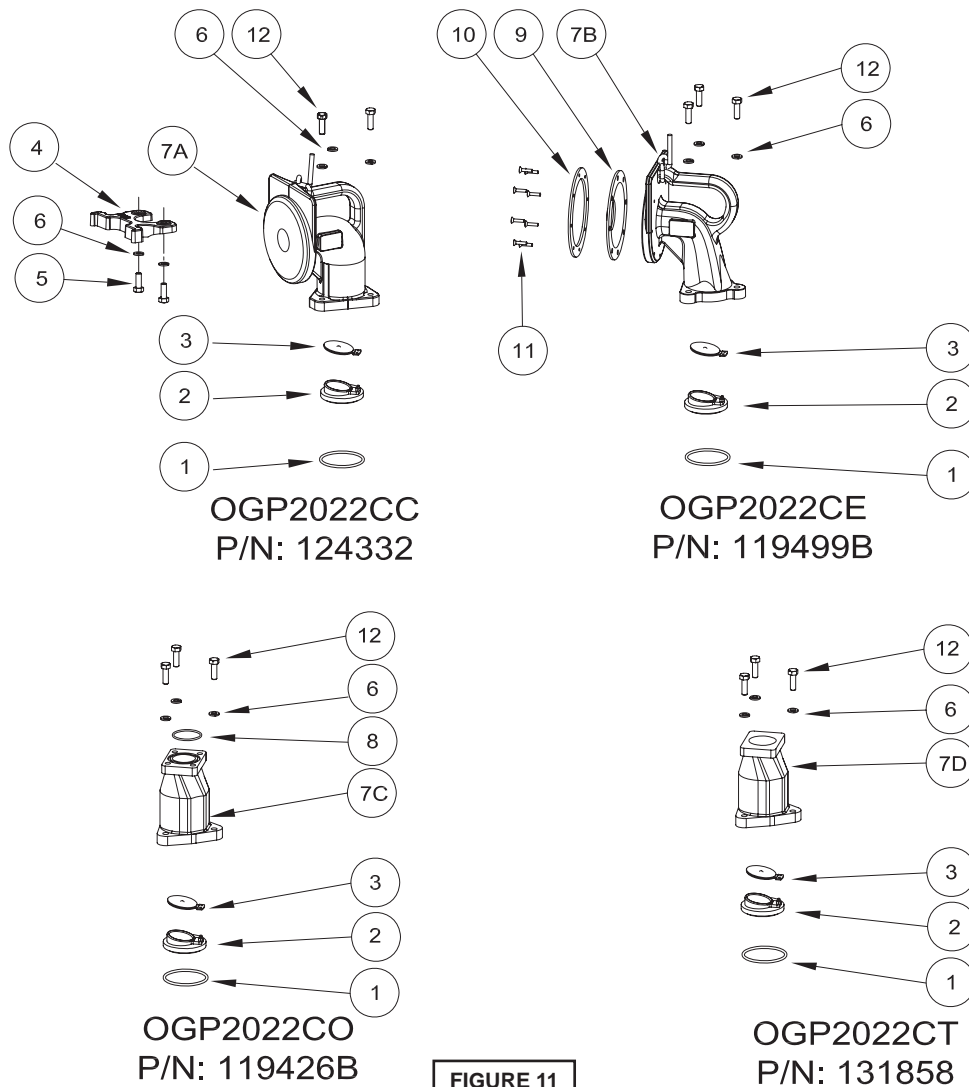


FIGURE 11

BARNES[®]

BARNES[®]
PRESSURE **PS** SYSTEMS



burks[®]

WEINMAN[®]

DEMING[®]

PROSSER[®]

Limited 24 Month Warranty

Crane Pumps & Systems warrants that products of our manufacture will be free of defects in material and workmanship under normal use and service for twenty-four (24) months after manufacture date, when installed and maintained in accordance with our instructions. This warranty gives you specific legal rights, and there may also be other rights which vary from state to state. In the event the product is covered by the Federal Consumer Product Warranties Law (1) the duration of any implied warranties associated with the product by virtue of said law is limited to the same duration as stated herein, (2) this warranty is a LIMITED WARRANTY, and (3) no claims of any nature whatsoever shall be made against us, until the ultimate consumer, his successor, or assigns, notifies us in writing of the defect, and delivers the product and/or defective part(s) freight prepaid to our factory or nearest authorized service station. Some states do not allow limitations on how long an implied warranty lasts, so the above limitation may not apply. **THE SOLE AND EXCLUSIVE REMEDY FOR BREACH OF ANY AND ALL WARRANTIES WITH RESPECT TO ANY PRODUCT SHALL BE TO REPLACE OR REPAIR AT OUR ELECTION, F.O.B. POINT OF MANUFACTURE OR AUTHORIZED REPAIR STATION, SUCH PRODUCTS AND/OR PARTS AS PROVEN DEFECTIVE. THERE SHALL BE NO FURTHER LIABILITY, WHETHER BASED ON WARRANTY, NEGLIGENCE OR OTHERWISE.** Unless expressly stated otherwise, guarantees in the nature of performance specifications furnished in addition to the foregoing material and workmanship warranties on a product manufactured by us, if any, are subject to laboratory tests corrected for field performance. Any additional guarantees, in the nature of performance specifications must be in writing and such writing must be signed by our authorized representative. Due to inaccuracies in field testing if a conflict arises between the results of field testing conducted by or for user, and laboratory tests corrected for field performance, the latter shall control. **RECOMMENDATIONS FOR SPECIAL APPLICATIONS OR THOSE RESULTING FROM SYSTEMS ANALYSES AND EVALUATIONS WE CONDUCT WILL BE BASED ON OUR BEST AVAILABLE EXPERIENCE AND PUBLISHED INDUSTRY INFORMATION. SUCH RECOMMENDATIONS DO NOT CONSTITUTE A WARRANTY OF SATISFACTORY PERFORMANCE AND NO SUCH WARRANTY IS GIVEN.**

This warranty shall not apply when damage is caused by (a) improper installation, (b) improper voltage (c) lightning (d) excessive sand or other abrasive material (e) scale or corrosion build-up due to excessive chemical content. Any modification of the original equipment will also void the warranty. We will not be responsible for loss, damage or labor cost due to interruption of service caused by defective parts. Neither will we accept charges incurred by others without our prior written approval.

This warranty is void if our inspection reveals the product was used in a manner inconsistent with normal industry practice and/or our specific recommendations. The purchaser is responsible for communication of all necessary information regarding the application and use of the product. **UNDER NO CIRCUMSTANCES WILL WE BE RESPONSIBLE FOR ANY OTHER DIRECT OR CONSEQUENTIAL DAMAGES, INCLUDING BUT NOT LIMITED TO TRAVEL EXPENSES, RENTED EQUIPMENT, OUTSIDE CONTRACTOR FEES, UNAUTHORIZED REPAIR SHOP EXPENSES, LOST PROFITS, LOST INCOME, LABOR CHARGES, DELAYS IN PRODUCTION, IDLE PRODUCTION, WHICH DAMAGES ARE CAUSED BY ANY DEFECTS IN MATERIAL AND/OR WORKMANSHIP AND/OR DAMAGE OR DELAYS IN SHIPMENT. THIS WARRANTY IS EXPRESSLY IN LIEU OF ANY OTHER EXPRESS OR IMPLIED WARRANTY, INCLUDING ANY WARRANTY OF MERCHANTABILITY OR FITNESS FOR A PARTICULAR PURPOSE.**

No rights extended under this warranty shall be assigned to any other person, whether by operation of law or otherwise, without our prior written approval.



A Crane Co. Company

PUMPS & SYSTEMS

420 Third Street
Piqua, Ohio 45356
Phone: (937) 778-8947
Fax: (937) 773-7157
www.cranepumps.com

83 West Drive, Brampton
Ontario, Canada L6T 2J6
Phone: (905) 457-6223
Fax: (905) 457-2650

**IMPORTANT!
WARRANTY REGISTRATION**

Your product is covered by the enclosed Warranty.
To complete the Warranty Registration Form go to:

<http://www.cranepumps.com/ProductRegistration/>

If you have a claim under the provision of the warranty, contact your local
Crane Pumps & Systems, Inc. Distributor.

RETURNED GOODS

**RETURN OF MERCHANDISE REQUIRES A "RETURNED GOODS AUTHORIZATION".
CONTACT YOUR LOCAL CRANE PUMPS & SYSTEMS, INC. DISTRIBUTOR.**



**Products Returned Must Be Cleaned, Sanitized,
Or Decontaminated As Necessary Prior To Shipment,
To Insure That Employees Will Not Be Exposed To Health
Hazards In Handling Said Material. All Applicable Laws
And Regulations Shall Apply.**



A Crane Co. Company

PUMPS & SYSTEMS

START-UP REPORT

General Information

Pump Owner's Name: _____
 Address: _____
 Location of Installation: _____
 Contact Person: _____ Phone: _____
 Purchased From: _____

Nameplate Data

Pump Model #: _____ Serial #: _____
 Part #: _____ Impeller Diameter: _____
 Voltage: _____ Phase: _____ Ø Hertz: _____ Horsepower: _____
 Full Load Amps: _____ Service Factor Amps: _____
 Motor Manufacturer: _____

Controls

Control panel manufacturer: _____
 Model/Part number: _____
 Number of pumps operated by control panel: _____
 Short circuit protection? YES___ NO___ Type: _____
 Number and size of short circuit device(s): _____ Amp rating: _____
 Overload Type: _____ Size: _____ Amp rating: _____
 Do protection devices comply with pump and motor Amp rating? YES___ NO___
 Are all electrical and panel entry connections tight? YES___ NO___
 Is the interior of the panel dry? YES___ NO___
 Liquid level Control Brand and Model: _____

Pre-Startup

All Pumps

Type of equipment: NEW___ REBUILT___ USED___
 Condition of equipment at Start-Up: DRY___ WET___ MUDDY___
 Was Equipment Stored? YES___ NO___ Length of Storage: _____
 Liquid being pumped: _____ Liquid Temperature: _____
 Supply Voltage/Phase/Frequency matches nameplate? YES___ NO___
 Shaft turns freely? YES___ NO___
 Direction of rotation verified for 3Ø motors? YES___ NO___
 Debris in piping or wet well? YES___ NO___
 Debris removed in your presence? YES___ NO___
 Pump case/wet well filled with liquid before startup? YES___ NO___
 Is piping properly supported? YES___ NO___

Non-Submersible Pumps

Is base plate properly installed / grouted? YES___ NO___ N/A___
 Coupling Alignment Verified per I&O Manual? YES___ NO___ N/A___
 Grease Cup/Oil Reservoir Level checked? YES___ NO___ N/A___

Submersible Pumps

Resistance of cable and pump motor (measured at pump control):

Red-Black: _____ Ohms(Ω) Red-White: _____ Ohms(Ω) White-Black: _____ Ohms(Ω)

Resistance of Ground Circuit between Control Panel and outside of pump: _____ Ohms(Ω)

MEG Ohms check of insulation:

Red to Ground: _____ White to Ground: _____ Black to Ground: _____

Operational Checks

Is there noise or vibration present? YES___ NO___ Source of noise/vibration: _____

Does check valve operate properly? YES___ NO___ N/A___

Is system free of leaks? YES___ NO___ Leaks at: _____

Does system appear to operate at design flow rate? YES___ NO___

Nominal Voltage: _____ Phase: 1Ø 3Ø (select one)

Voltage Reading at panel connection, Pump OFF: L1, L2 _____ L2, L3 _____ L1, L3 _____

Voltage Reading at panel connection, Pump ON: L1, L2 _____ L2, L3 _____ L1, L3 _____

Amperage Draw, Pump ON: L1 _____ L2 _____ L3 _____

Submersible Pumps

Are BAF and guide rails level / plumb? YES___ NO___

Is pump seated on discharge properly? YES___ NO___

Are level controls installed away from turbulence? YES___ NO___

Is level control operating properly? YES___ NO___

Is pump fully submerged during operation? YES___ NO___

Follow up/Corrective Action Required

YES___ NO___

Additional Comments:

Startup performed by: _____ Date: _____

Present at Start-Up

() Engineer: _____ () Operator: _____

() Contactor: _____ () Other: _____

All parties should retain a copy of this report for future trouble shooting/reference



PUMPS & SYSTEMS

A Crane Co. Company

420 Third Street
Piqua, Ohio 45356
Phone: (937) 778-8947
Fax: (937) 773-7157
www.cranepumps.com

83 West Drive, Brampton
Ontario, Canada L6T 2J6
Phone: (905) 457-6223
Fax: (905) 457-2650

