

# SELF-PRIMING CENTRIFUGAL TRASH PUMP

Series: SH6-R/N-4TNV98C

Suction: 6"

Discharge: 6"

Spherical solids handling: 3"



## SIZE

6" x 6" NPT, 125 lbs., female flange.

## LIQUID TEMPERATURE

160°F (71°C)

## CASING

Cast iron ASTM A-48 class 30. Maximum operating pressure 79 psi (545 KPa).

## IMPELLER

**Design:** 2 vane, open.

**Material:** ductile iron no. 65-45-12.

## SHAFT

Alloy Steel no. 4140.

## SHAFT SLEEVE

316 series stainless steel.

## WEAR PLATE

Carbon steel no. 1015. Replaceable.

## COVER PLATE

Cast iron ASTM A-48 class 30, weight 37 lbs. Removable/adjustable.

## FLAP VALVE

Neoprene with steel reinforcing.

## BEARING HOUSING

Cast iron ASTM A-48 class 30.

## SEAL PLATE

Cast iron ASTM A-48 class 30.

## BEARING - PUMP END

Open single ball, radial load.

## BEARING - DRIVE END

Open double ball, thrust load.

## SEAL CAVITY AND BEARING LUBRICATION

SAE no. 30 non detergent oil, pump includes oil level sight gauges.

## GASKETS

Buna-N, compressed synthetic fibers, PTFE, vegetable fiber, cork and rubber.

## O-RINGS

Buna-N.

## HARDWARE

Standard plated steel.

## PAINT

Air dry enamel, water based.

## PRESSURE RELIEF VALVE

Brass.

## SEAL

**Design:** type 21, mechanical, oil lubricated, double floating, self aligning.

**Material:** silicon carbide rotating and stationary faces, fluorocarbon elastomers (Viton® or equivalent). 316 stainless steel cage and spring.

## ENGINE SPECIFICATIONS

**Model:** Yanmar 4TNV98C-NYEM

**Net intermittent power:** 67.6 HP

**Rated speed:** 2500 RPM

**EPA standard:** final tier 4

**Type:** 4 cylinder, 4 cycle, liquid cooled diesel engine

**Displacement:** 202.5 in<sup>3</sup>

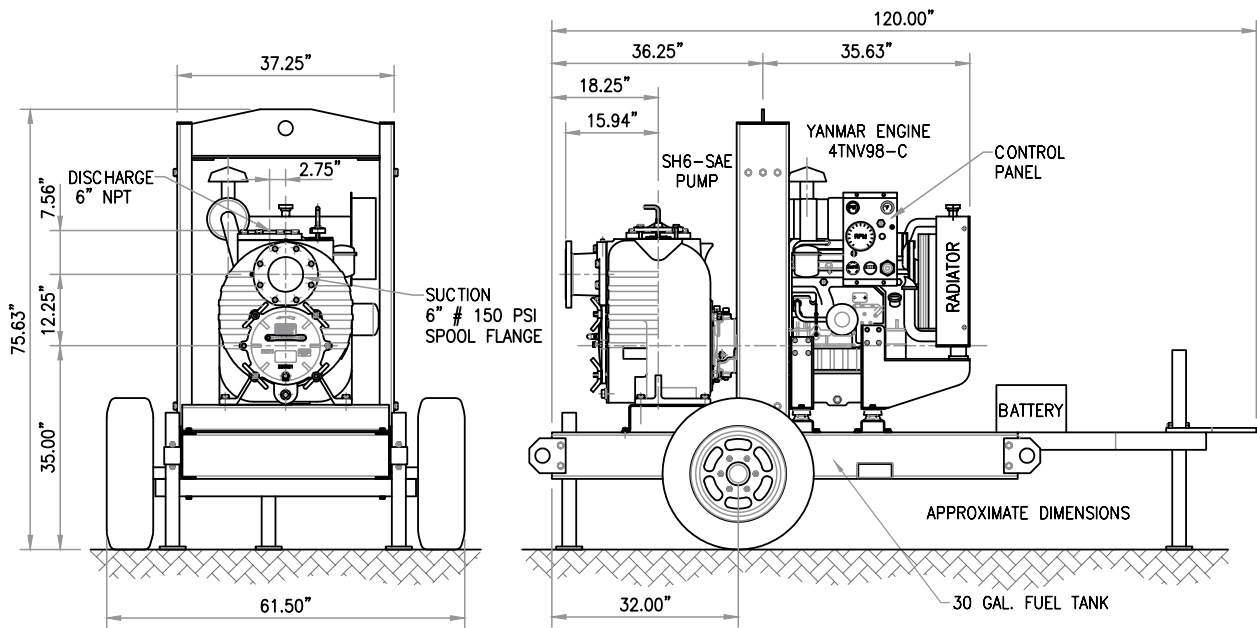
**Governor:** electronic control

**Lubrication:** 11.2 liters deep oil pan

**Combustion type:** common rail direct injection

**Aspiration:** naturally aspirated

**Electrical system:** 12V, 55A alternator



**IMPORTANT! - Do not use in explosive atmosphere or for pumping volatile flammable liquids.**

