

END-SUCTION CENTRIFUGAL PUMPS

Series: IC1½
1.5 - 7.5 HP / 3500 RPM
1 & 3 phases



SUCTION

1½" NPT horizontal.

DISCHARGE

1½" NPT vertical.

BODY

Cast iron ASTM A-48 class 30.

INTERMEDIATE COUPLING

Cast iron ASTM A-48 class 30.

IMPELLER

Design: 5 vanes, closed, statically balanced.

Material: Noryl[®].

SEAL

Design: mechanical, type 01.

Material: Ceramic stationary part, carbon ring seal and exclusion in the rotating part. Buna-N elastomer and stainless steel spring.

SHAFT

Stainless steel.

SHAFT SLEEVE

Stainless steel.

O-RINGS

Buna-N.

MOTOR

High quality premium efficiency TEFC or ODP electric motors, designed & developed in accordance with industry standards for industrial and commercial pumping applications.

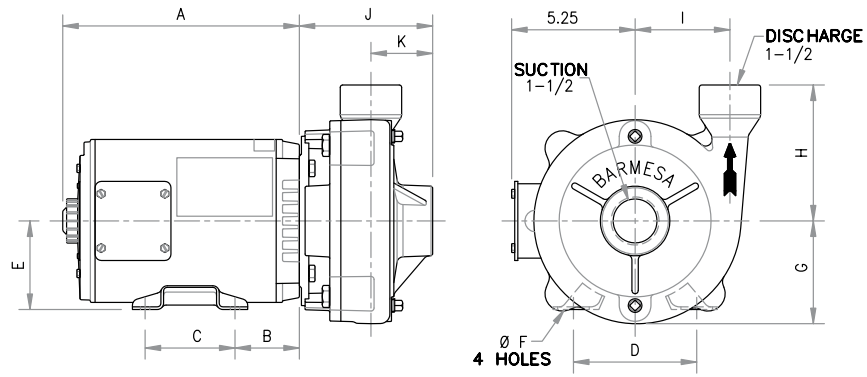
HARDWARE

Carbon steel.

PAINT

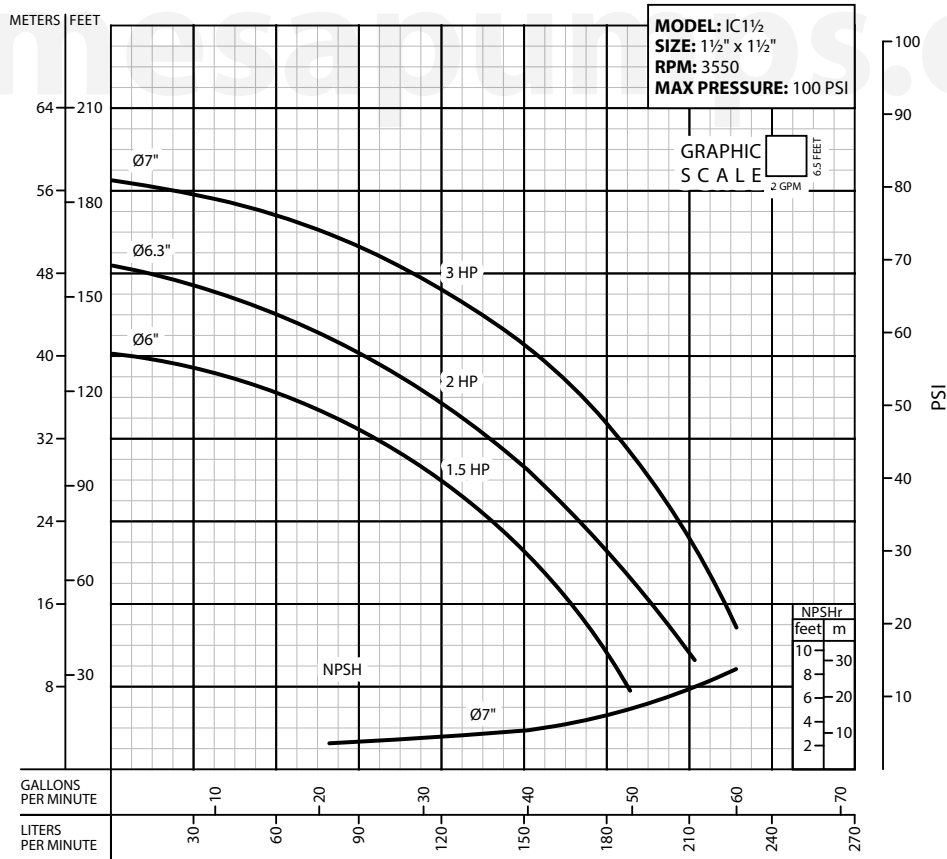
Air dry enamel, water based.

Series: IC1½
1.5 - 7.5 HP



MODEL	PART No.	SIZE	HP	PHASE	ENCL.	FRAME	A	B	C	D	E	Ø F	G	H	I	J	K
IC1½-1.5-2	62070509	1½" x 1½"	1.5	3	ODP	56 J	8.88	2.13	3.00	4.88	3.50	.38	4.09	5.38	3.75	5.25	2.38
IC1½-1.5-2-1	62070510		56 J														
IC1½-2-2	62070511		2	3		56 J											
IC1½-2-2-1	62070512		2	1		56 J											
IC1½-3-2	62070513		3	3		56 J											
IC1½-3-2-1	62070514		3	1		56 J											
IC1½-5-2-1	-		5	1		-											
IC1½-7.5-2-1	-	7.5	1	-													
IC1½-1.5-2	62071509	1½" x 1½"	1.5	3	TEFC	-	-	-	-	-	-	-	-	-	-	-	-
IC1½-1.5-2-1	62071510		1.5	1		-											
IC1½-2-2	62071511		2	3		-											
IC1½-2-2-1	62071512		2	1		-											
IC1½-3-2	62071513		3	3		-											
IC1½-3-2-1	62071514		3	1		-											
IC1½-5-2-1	-		5	1		-											
IC1½-7.5-2-1	-		7.5	1		-											

All dimensions are in inches, and may vary depending on the motor manufacturer.



IMPORTANT!

1. Never use this pump to handle explosive liquids.
2. This pump is not approved to be used in swimming pools, recreational installations or any application where human contact may be common.
3. Testing is performed with water specific gravity of 1.0 @ 68°F (20°C); other fluids may vary performance.