

# SUBMERSIBLE SEWAGE PUMP W/ CUTTER PLATE

Series: *Roto-Blade*  
(CUT303 & CUT304)  
3 HP / 1750 RPM  
Discharge: 4"



## DISCHARGE

4", 125 lb, flange horizontal.

## LIQUID TEMPERATURE

104°F (40°C) continuous.

## VOLUTE

Cast iron ASTM A-48 class 30.

## MOTOR HOUSING

Cast iron ASTM A-48 class 30.

## IMPELLER

Cast iron ASTM A-48 class 30. Unique tungsten carbide tipped impeller and high chrome serrated cutter plate for slicing of solids.

## SUCTION PLATE

Ductile iron ASTM A536.

## SHAFT

AISI 410 series stainless steel.

## HARDWARE

Stainless steel.

## O-RINGS

Buna-N.

## PAINT

Air dry enamel, water based.

## SEAL

**Design:** double mechanical, oil lubricated.

**Material:** silicon carbide outboard, carbon ceramic inboard seal, with stainless steel hardware.

## CORD ENTRY

40 ft of neoprene cord STOW, sealed against moisture.

## BEARINGS

Ball, single row and oil lubricated.

## MOTOR

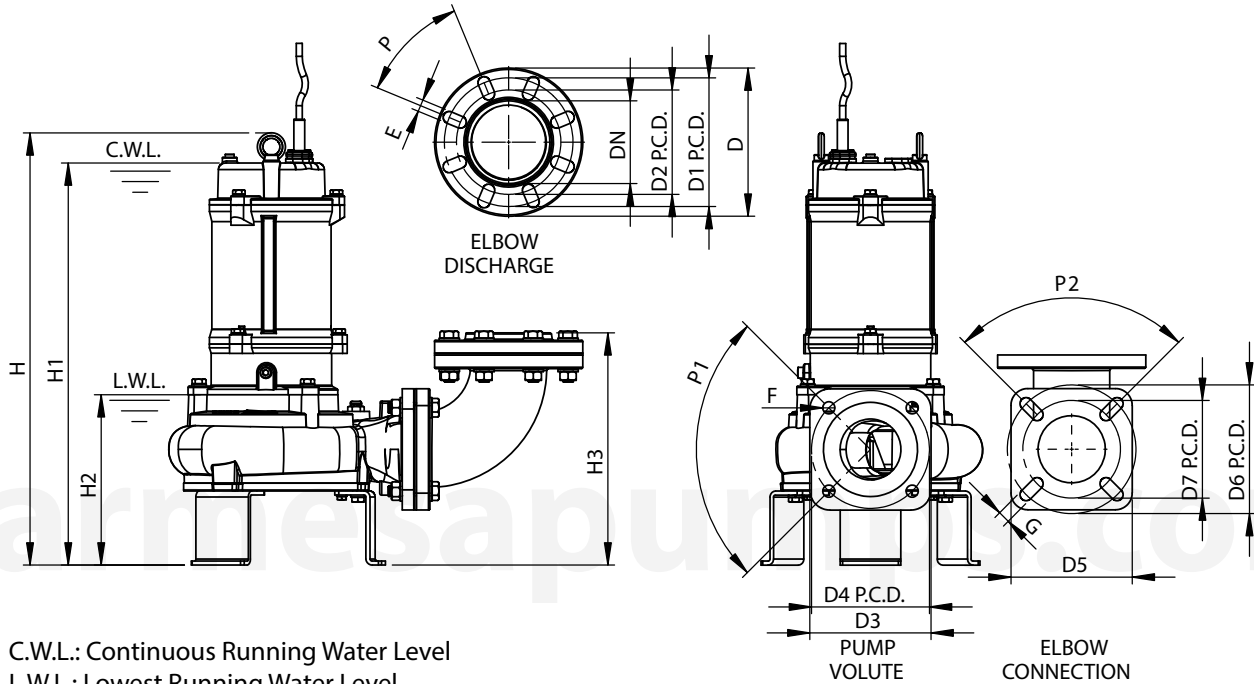
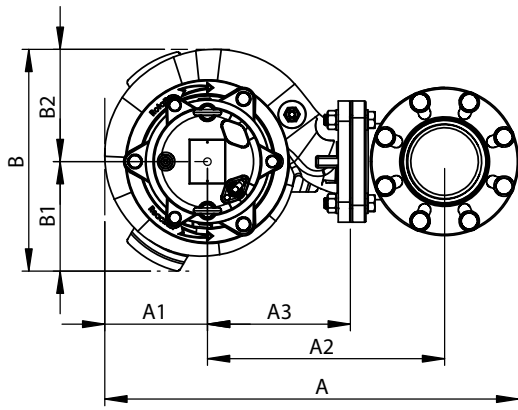
Three phase, 230 & 460 V, 1750 RPM, 60 Hz. Air-filled watertight, built-in overload, IP 68 protection and class B insulation.

## ACCESSORIES

Includes discharge elbow.

## OPTIONAL EQUIPMENT

Slide rail coupling (QDC-4).



C.W.L.: Continuous Running Water Level  
 L.W.L.: Lowest Running Water Level  
 (Most effective motor heat dissipation when fully submerged)

Pipe connection type	
PT	NPT

Model	A	A1	A2	A3	B	B1	B2	D	D1	D2	D3	D4	D5	D6
CUT303	24.2	6	13.9	8.3	13	6.4	6.6	8.7	7.5	6.1	7.1	6.9	7.1	7.5
CUT304	D7	DN	P	P1	P2	E	F	G	H	H1	H2	H3	WT	
	5.7	4	45°	90°	90°	0.7	0.7	0.7	25.3	23.5	10	13.6	165	

- Dimensions in inches.

- Weight in pounds, without the cable.

**IMPORTANT!**

1. Never use this pump to handle explosive liquids.
2. This pump is not approved to be used in swimming pools, recreational installations or any application where human contact may be common.
3. Pump may be operated "dry" for extended periods without damage to motor &/or seals.
4. Testing is performed with water specific gravity of 1.0 @ 68 °F (20 °C); other fluids may vary performance.

MODEL	CUT303 / CUT304									RATED	
FREQUENCY	60 Hz								HEAD	26.2 ft	8 m
DISCHARGE	4 INCHES / 100 mm								CAPACITY	185 GPM	700 LPM
OUTPUT	3 HP / 2.2 kW								POLE / RPM	4 P / 1750 RPM	
PHASE/VOLTAGE	3Ø	208 V	220 V	230 V	380 V	400 V	440 V	460 V	START METHOD	DIRECT ON LINE	
F.L.A.	A	9.3	9.2	9	5	4.9	4.5	4.5	INSULATION CLASS	CLASS B	

