

SELF-PRIMING CLOSE COUPLED PUMPS

Series: BSP15CCE
7.5 HP / 3500 RPM
Suction & Discharge: 3"
Spherical solids handling: 3/4"



Approved for Marine use and
Commercial / Industrial applications.

SUCTION/DISCHARGE

3" NPT, female.

LIQUID TEMPERATURE

Continuous: 160 °F (71 °C).

INTERMEDIATE

Cast iron ASTM A-48, class 30.

VOLUTE

Cast iron ASTM A-48, class 30.

BODY

Cast iron ASTM A-48, class 30.

BASE

Steel.

IMPELLER

Design: open, trash type, dynamically balanced.

Material: cast iron ASTM A-48, class 30.

SHAFT

1035 cold rolled steel.

SHAFT SLEEVE

Bronze.

HARDWARE

Steel & stainless steel.

SQUARE RING

Buna-N.

PAINT

Air dry enamel, water based.

SEAL

Design: mechanical, self lubrication.

Material: ceramic stationary part, carbon ring seal and exclusion in the rotating part. Buna-N elastomer and stainless steel spring.

CHECK VALVE

Valve: flap-neoprene

Weight: steel.

MOTOR

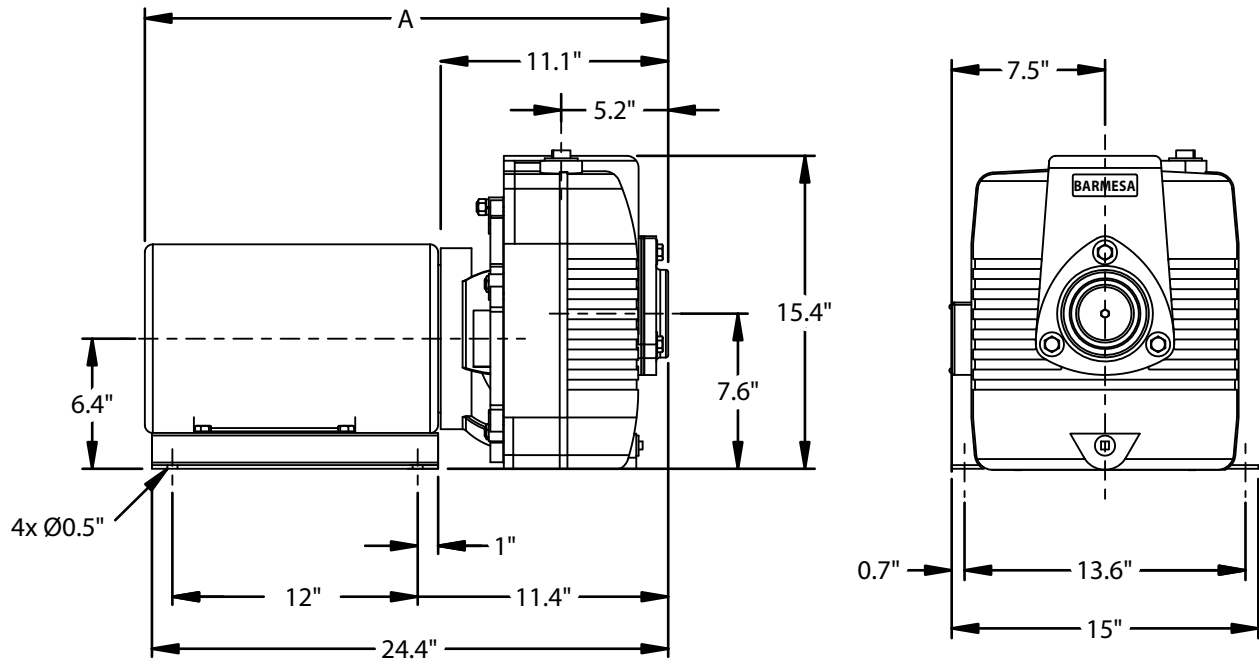
Open Drip Proof or **TEFC**, C-face, footed, squirrel cage induction, class B or F insulation.

Three phase: 230/460 volts, 60 Hz, 3500 RPM.

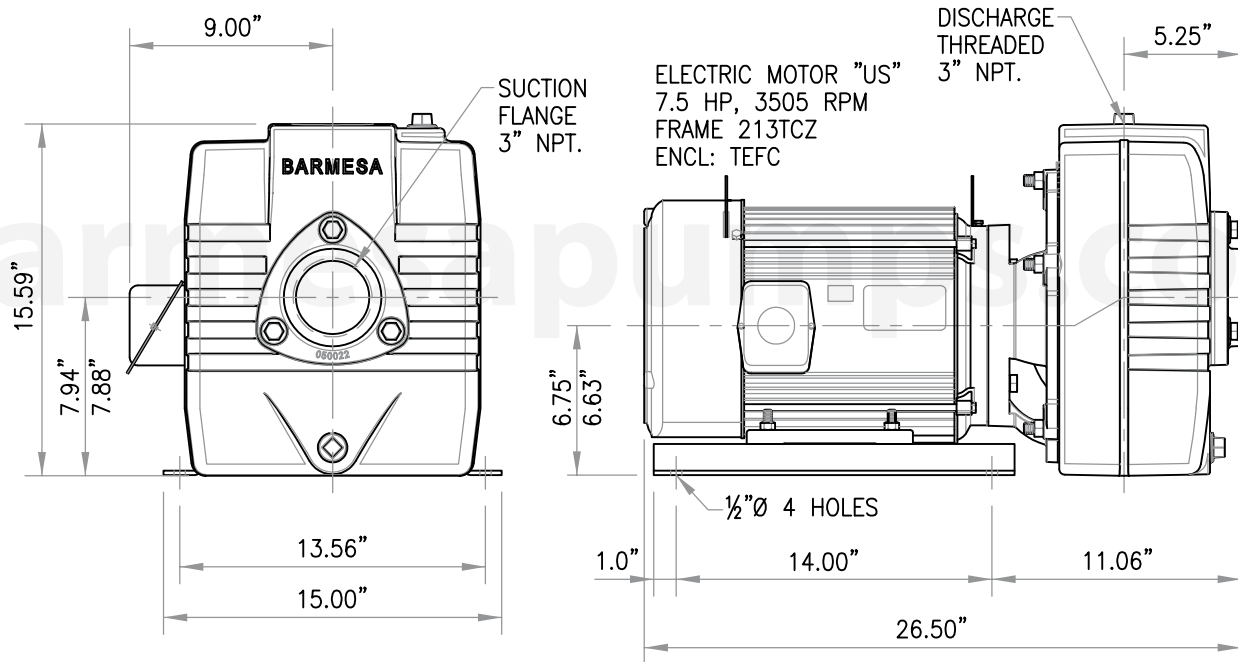
OPTIONAL

Bronze fitted volute and impeller.

ODP ENCLOSURE



TEFC ENCLOSURE



DIMENSIONS: INCHES
 OVERALL DIMENSIONS SUBJECT TO MOTOR MANUFACTURER.

MODEL	PART No.	HP	PHASE	VOLTS	ENCLOSURE	MAX AMPS	A (inches)	WEIGHT (pounds)
BSP15CCE3	62030009	7.5	3	230/460	ODP	18.8-17.4/8.7	23.22	248
BSP15CCE3-BF	62030110	7.5	3	230/460	ODP	18.8-17.4/8.7	23.22	248
BSP15CCE3-T	62030029	7.5	3	230/460	TEFC	18.5-17.4/8.7	26.28	251
BSP15CCE3-TBF	62030130	7.5	3	230/460	TEFC	18.5-17.4/8.7	26.28	251

T = totally enclosed BF = bronze fitted TB = totally enclosed bronze fitted
 * Overall length of unit and amps is subject to the motor manufacture.

IMPORTANT!

- Never use this pump to handle explosive liquids.
- This pump is not approved to be used in swimming pools, recreational installations or any application where human contact may be common.
- Testing is performed with water specific gravity of 1.0 @ 68 °F (20 °C); other fluids may vary performance.

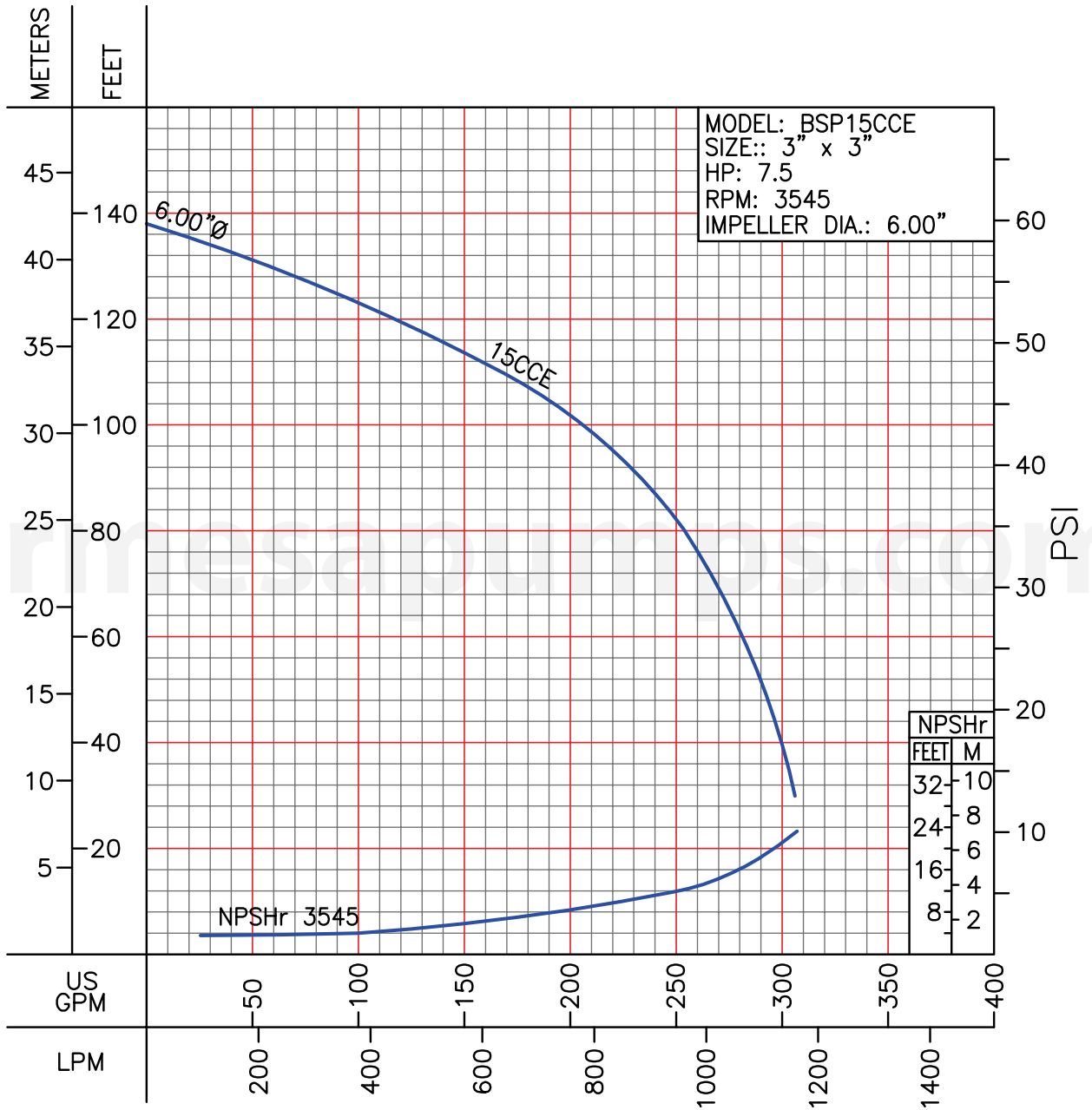


PERFORMANCE CURVE

Self-Priming Close

Coupled Pump

Series: **BSP25CCE**



Testing is performed with water specific gravity of 1.0 @ 68 °F (20 °C); other fluids may vary performance.

*BSPCCE series pumps are approved for Marine use and Commercial / Industrial applications.